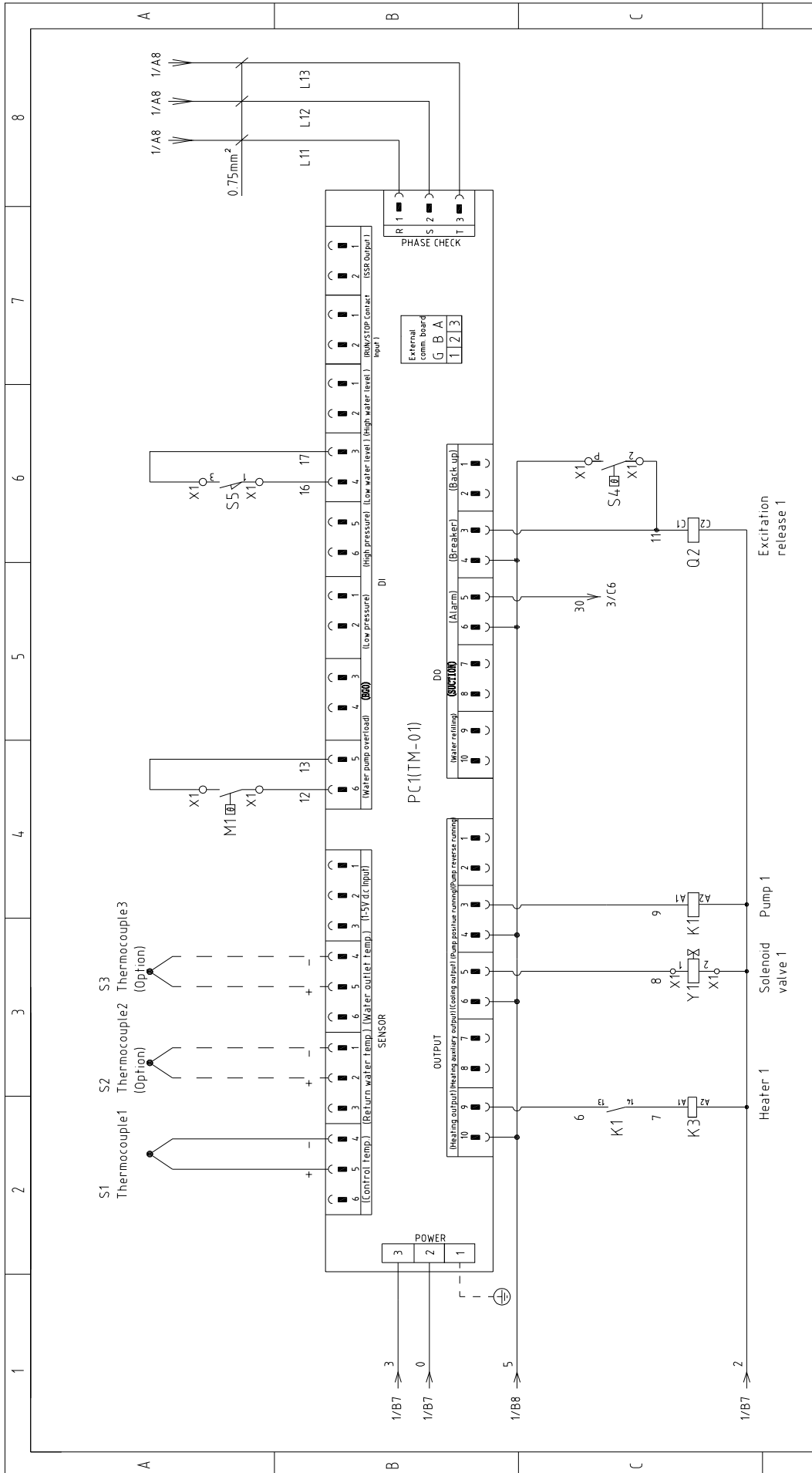


版本 Ver.G		Title STM-607-D		Drawing NO STM-607-D-CE-400V-H-1		Page 1	
		Main Circuit Diagram				Scale Standard CE	
		Version H				Totally 6 Pages	
		Designer		Approved by		Voltage 400V	
		Proofread by		Date 20180724		Frequency 50Hz	
Mark		Modified by		Modify date			
After modification							
Before modification							
1	2	3	4	5	6	7	8





版本 Ver.G

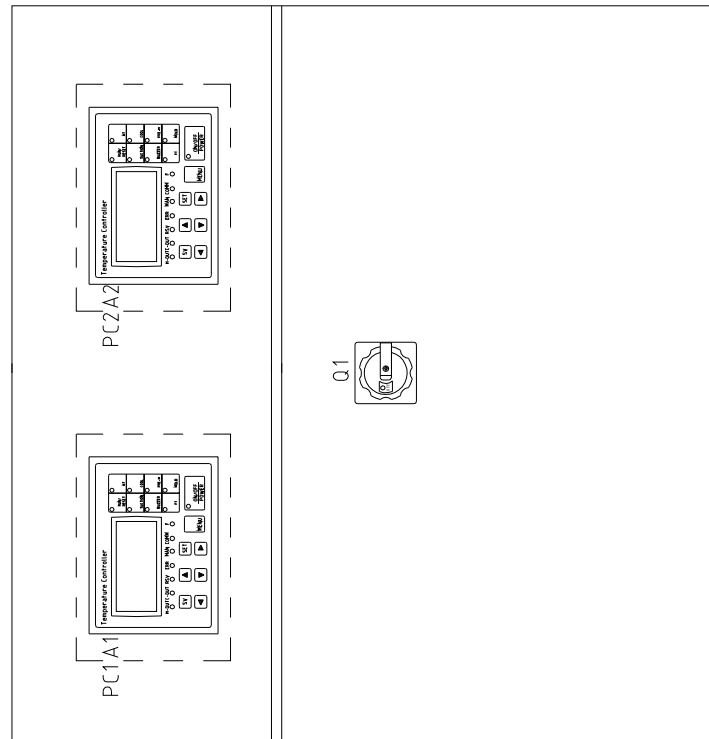
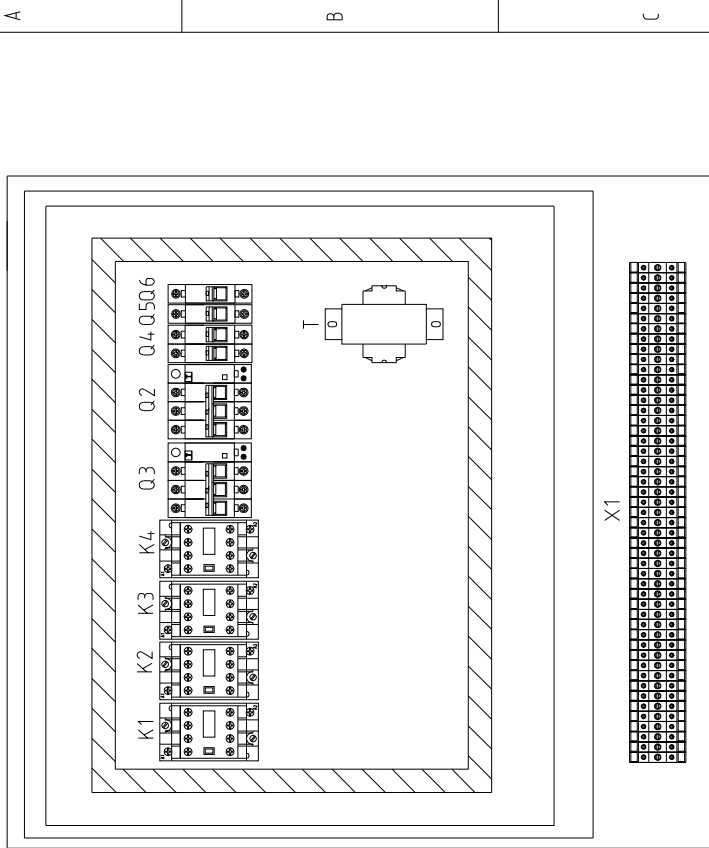
Note: M1 is the overheat protection output contact of water pump 1.

Mark	Before modification	Modified by	Modify date	Checked by	Date	Proofread by	Designer	Drawer	Version	H	Title	STM-607-D Control Circuit Diagram 1	Drawing NO	STM-607-D-CE-400V-H-2	Scale	Standard	CE	Page	2	Totally	6	Pages	
	After modification				20180724													Voltage	400V			Frequency	50HZ





1 2 3 4 5 6 7 8

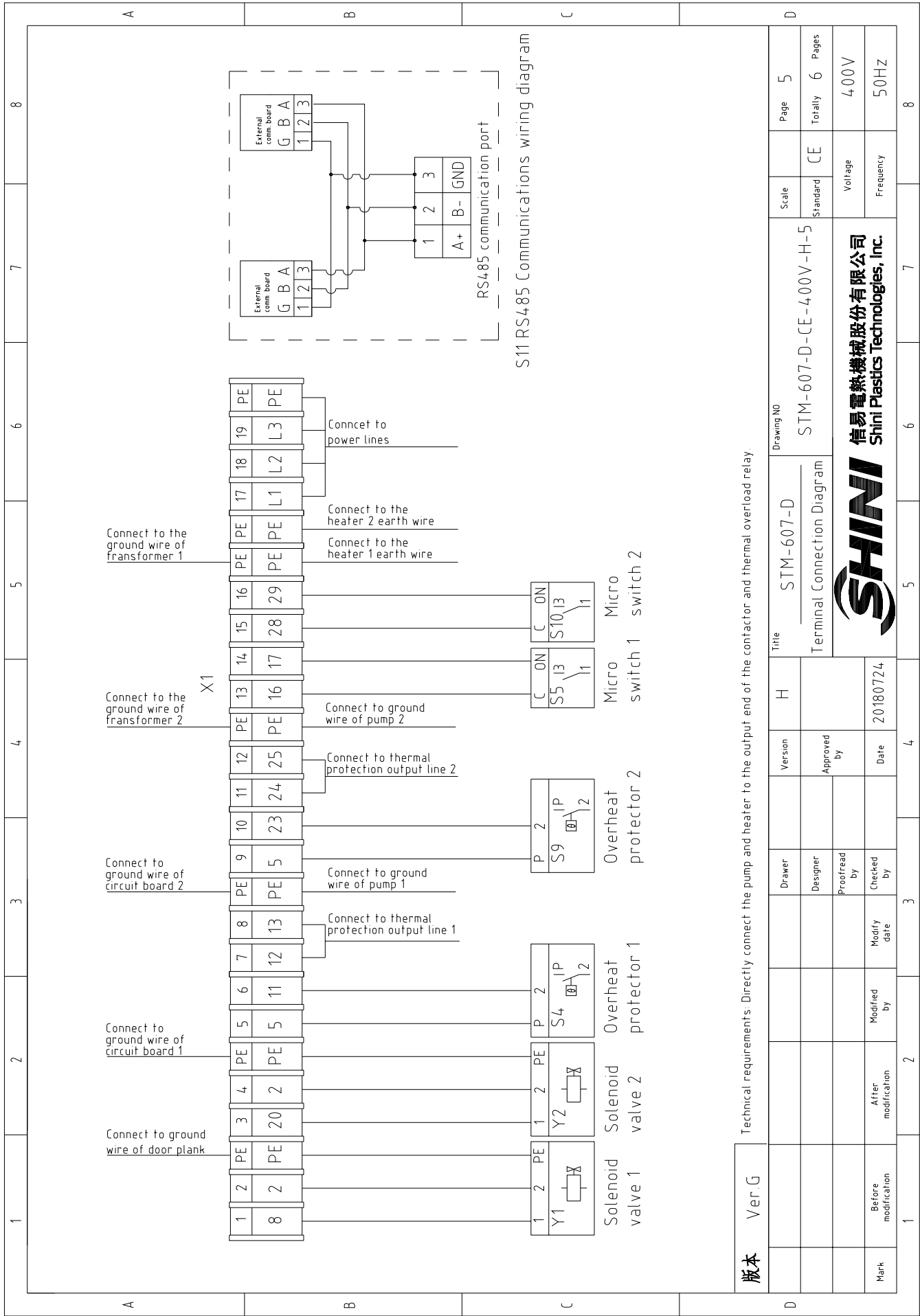


版本 Ver.G

D	Title		Drawing NO		Scale	Page
	STM-607-D		STM-607-D-CE-400V-H-4		Standard	4
Electrical Components Layout			CE		Totally 6 Pages	
Mark	Before modification	Modified by	Modify date	Checked by	Proofread by	Designer
After modification		Modified by	Modify date	Checked by	Proofread by	Designer
Voltage		Frequency		Standard		
400V		50HZ		CE		

**SHINI**  
 信易電熱機械股份有限公司  
 Shini Plastics Technologies, Inc.

1 2 3 4 5 6 7 8



S11 RS485 Communications wiring diagram

Technical requirements: Directly connect the pump and heater to the output end of the contactor and thermal overload relay.

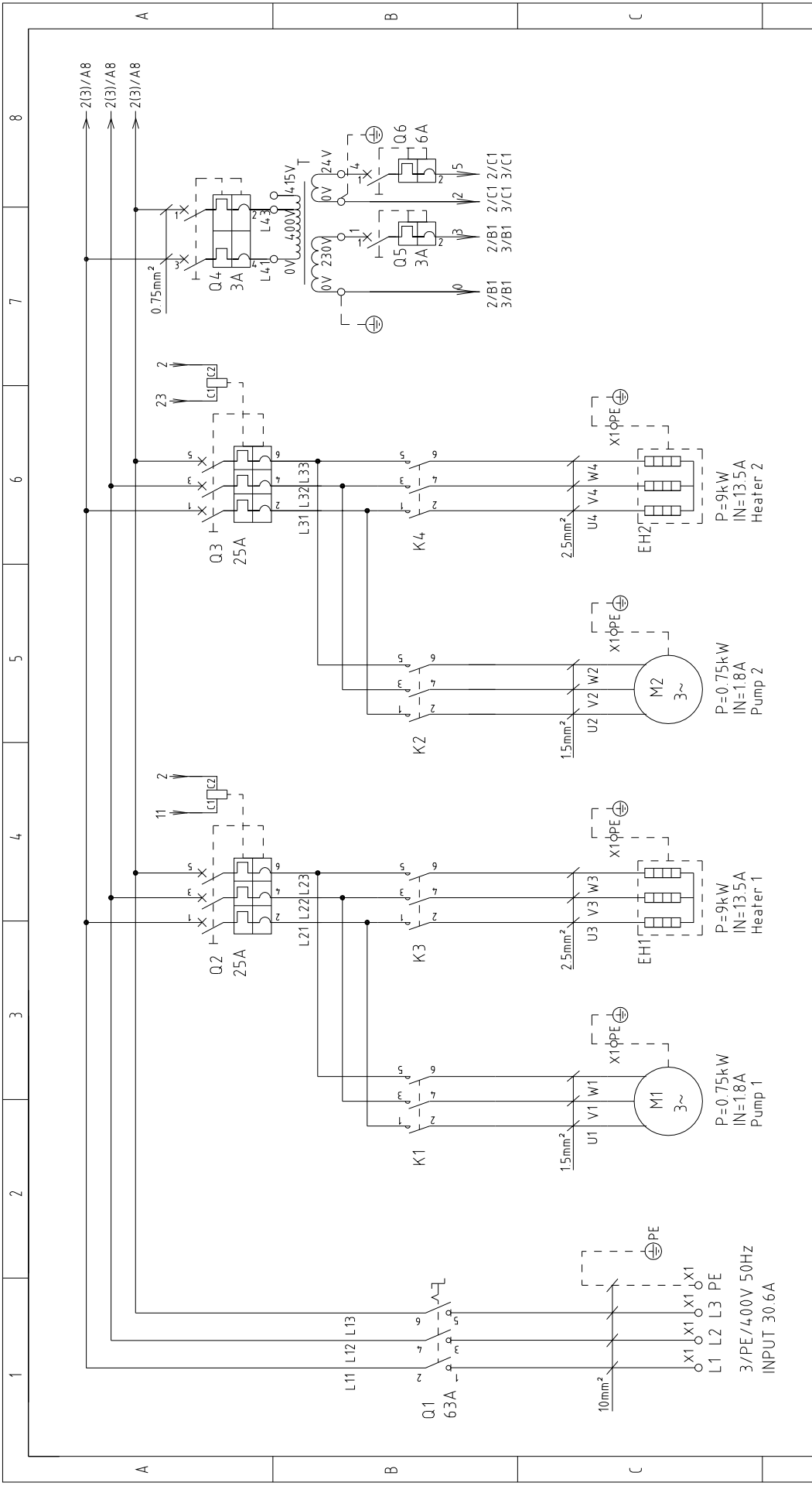
版本	Ver.G	Technical requirements: Directly connect the pump and heater to the output end of the contactor and thermal overload relay.	
Mark	Before modification	Modified by	Modify date
		Checked by	20180724
		Proofread by	
		Designer	
		Approved by	
		Version	H
		Title	STM-607-D
		Scale	Standard
		Standard	CE
		Voltage	400V
		Frequency	50HZ
		Page	5
		Totally	6
		Pages	



Drawing NO	STM-607-D-CE-400V-H-5
Scale	Standard
Standard	CE
Voltage	400V
Frequency	50HZ
Page	5
Totally	6
Pages	

1	2		3	4	5	6		7	8	
NO.	Symbol	Name	Manufacturer	Type	Specification	Number	Material number	Remark		
1	Q1	Main power switch	EATON	P1-32/EA/SVB	32A	1	YE10323200000			
2	Q2 Q3	Circuit breakers	TECO	BM-63C/3016S	16A	2	YE40301603000			
3	A	Excitation release	TECO	MX	24VAC	2	YE40024000000			
4	Q4	Circuit breakers	TECO	BM-63C/2003S 2P	3A	1	YE40200203000			
5	Q5	Circuit breakers	TECO	BM-63C/1003S 1P	3A	1	YE40100203000			
6	Q6	Circuit breakers	TECO	BM-63C/1006S	6A	1	YE40100600100			
7	K1 K2	Contactors	SIEMENS	3RT16015-1AB01	24VAC	2	YE00601502500			
8	K3 K4	Contactors	SIEMENS	3RT16018-1AB01	24VAC	2	YE00601802500			
9	T	Transformer	JIUXIN	IN=400V/415V OUT=24V/230V	80VA/350mA	1	YE70040007200			
10	S1 S6	Thermocouple	SHINI	----	K	2	----	(1)		
11	S2 S3 S7 S8	Thermocouple	SHINI	----	K	4	----	(1)(3)		
12	S4 S9	Overheat protector	----	----	----	2	----	(1)		
13	S5 S10	Micro switch	RENEW	----	----	2	----	(1)		
14	S11	Communication interface board RS-485 (double Dsub-9pin connector)	YUYUN	----	PCS	1	YE90048501200			
15	PC1 PC2 A1 A2	Shell RS485(SAL-700G-A-1910)	BINGHENG	----	PCS	1	YR40048500000			
16	Y1 Y2	Circuit board	YUYUN	TM-01 (含通讯)	180~430V 50/60Hz	2	YE81012200300			
17	X1	Solenoid valve	----	----	24VAC	2	----	(1)		
18	X1	Terminal board	HONEYWELL	SK2.5	----	16	YE60002503200			
19	X1	Terminal board	HONEYWELL	SK2.5PE	----	6	YE60002503400			
20	X1	Terminal board	HONEYWELL	GK6	----	3	YE60000603200			
21	X1	Terminal board	HONEYWELL	GK6PE	----	1	YE60000603500			
22	M1 M2	Motor	SHINI	TP-55	400V 50Hz 0.55kW	2	----	(1)		
23	EH1 EH2	Heater	SHINI	----	400V 50Hz 6kW	2	----	(1)		
24	H1	Buzzer	JINGKANG	PK-35A	24VAC/DC	1	YE84003500600			
25	H1	Terminal fittings E/GKseries(honeywell)	HONEYWELL	----	PCS	6	YE60000003900			
<b>版本</b>										
Notes: (1)Means it's not the material inside the control box.(2)Means it's equipped with buzzer.(3)Means equipped with function of displaying water outlet and return water temperature										
D	Ver.G	Drawer	Designer	Version	H	Title	Drawing NO	Scale	Page	6
						STM-607-D	STM-607-D-CE-400V-H-6	Standard	CE	Totally 6
		Proofread by	Approved by			Electrical Components List				Pages
Mark	Before modification	Modified by	Modify date	Date	20180724			Voltage	400V	Frequency
								Frequency	50HZ	8



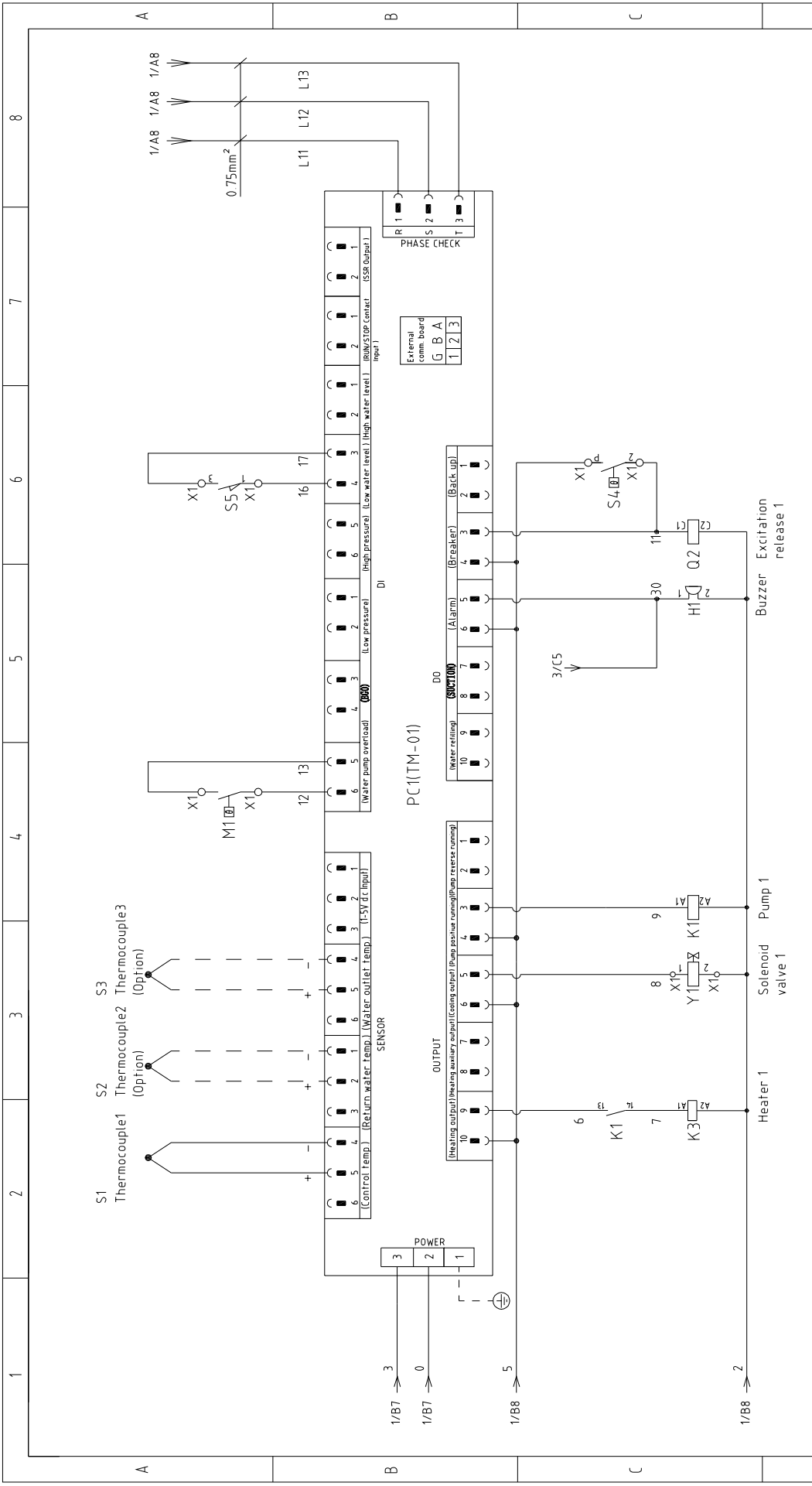


版本 Ver.G		Title STM-910-D		Drawing No STM-910-D-CE-400V-H-1		Page 1	
		Main Circuit Diagram		Standard CE		Totally 6 Pages	
		Version H		Approved by		Voltage 400V	
		Designer		Date 20180724		Frequency 50HZ	
		Proofread by					
		Checked by					
		Modified by					
		Modify date					
		After modification					
		Before modification					
Mark							



1 2 3 4 5 6 7 8

A B C D



版本 Ver.G		Title STM-910-D		Drawing No STM-910-D-CE-400V-H-2		Page 2	
		Version H		Control Circuit Diagram 1		Standard CE	
		Designer		Approved by		Voltage 400V	
		Proofread by		Date 20180724		Frequency 50HZ	
Mark Before modification		Modified by		Modify date		Totally 6 Pages	
1		2		3		4	
5		6		7		8	

Note: M1 is the overhear protection output contact of water pump 1.











1	2		3	4	5	6		7	8	
NO.	Symbol	Name	Manufacturer	Type	Specification	Number	Material number	Remark		
1	Q1	Main power switch	EATON	P3-63/EA/SVB	63A	1	YE10636300000			
2	Q2 Q3	Circuit breakers	TECO	BM-63C/3025S	25A	2	YE40302503000			
3		Excitation release	TECO	MX	24VAC	2	YE40024000000		A	
4	Q4	Circuit breakers	TECO	BM-63C/2003S 2P	3A	1	YE40200203000			
5	Q5	Circuit breakers	TECO	BM-63C/1003S 1P	3A	1	YE40100203000			
6	Q6	Circuit breakers	TECO	BM-63C/1006S 1P	6A	1	YE40100600100			
7	K1 K2	Contactors	SIEMENS	3RT6015-1AB01	24VAC	2	YE00601502500			
8	K3 K4	Contactors	SIEMENS	3RT6025-1AC20	24VAC	2	YE00602502600			
9	T	Transformer	JIUXIN	IN=400V/415V OUT=24V/230V	120VA/350mA	1	YE70040007300			
10	S1 S6	Thermocouple	SHINI	----	K	2	----	(1)		
11	S2 S3 S7 S8	Thermocouple	SHINI	----	K	4	----	(2)	B	
12	S4 S9	Overheat protector	----	----	250V 5(4)A	2	----	(1)		
13	S5 S10	Micro switch	RENEW	----	----	2	----	(1)		
14	S11	Communication interface board RS-485 (double Dsub-9pin connector)	YUYUN	----	PCS	1	YE90048501200			
15		Shell RS485(SAL-700G-A-19)0	BINGCHENG	----	PCS	1	YR40048500000			
16	PC1 PC2 A1 A2	Circuit board	YUYUN	TM-01 (含通讯)	180~430V 50/60Hz	2	YE81012200300			
17	Y1 Y2	Solenoid valve	----	----	24VAC	2	----	(1)		
18	X1	Terminal board	HONEYWELL	SK2.5	----	16	YE60002503200			
19		Terminal board	HONEYWELL	SK2.5PE	----	6	YE60002503400		C	
20		Terminal board	HONEYWELL	GK10	----	3	YE60001003200			
21		Terminal board	HONEYWELL	GK10PE	----	1	YE60001003500			
22	M1 M2	Motor	SHINI	TP-75	400V 50Hz 0.75kW	2	----	(1)		
23	EH1 EH2	Heater	SHINI	----	400V 50Hz 9kW	2	----	(1)		
24	H1	Buzzer	JINGKANG	PK-35A	24VAC/DC	1	YE84003500600			
25		Terminal fittings E/GKseries(honeywell)	HONEYWELL	----	PCS	6	YE60000003900			
<b>版本</b>										
Notes: (1)Means it's not the material inside the control box (2)Means equipped with function of displaying water outlet and return water temperature.										
D										
Ver G										
Drawing NO										
Title										
Electrical Components List										
STM-910-D										
STM-910-D-CE-400V-H-6										
Scale										
Standard										
CE										
Page 6										
Totally 6 Pages										
Voltage										
400V										
Frequency										
50HZ										
8										

