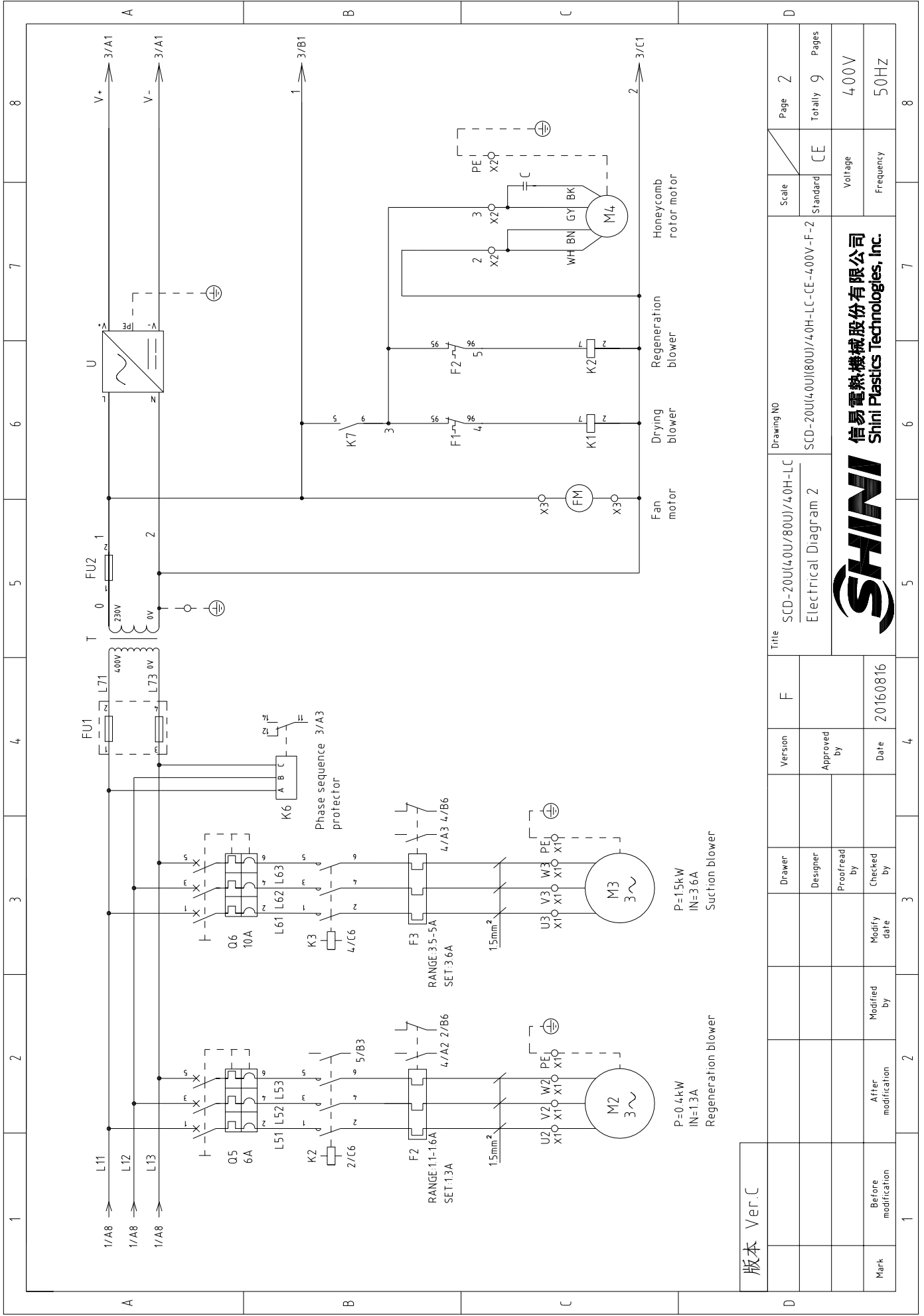


版本 Ver.C

D	Mark	Before modification	Modified by	2	3	4	5	6	7	8
	After modification	Modified by	Date	20160816						
D	Version	F	Approved by							
	Drawer	Designer	Proofread by	Checked by						
Title		SCD-200(4.0U/80U)/4.0H-LC								
Drawing NO.		SCD-200(4.0U)80U/4.0H-LC-CE-4.00V-F-1								
Scale	Standard	CE	Page		1		Totally		9	
Standard	Standard	CE	Voltage		400V		Frequency		50HZ	
SHINI		信易電熱機械股份有限公司 Shini Plastics Technologies, Inc.								



Page	2
Totally	9
Pages	400V
Frequency	50HZ

Scale	Standard
Standard	CE
Standard	CE

Drawing NO.	SCD-200(40U/80U)/4.0H-LC
Title	Electrical Diagram 2

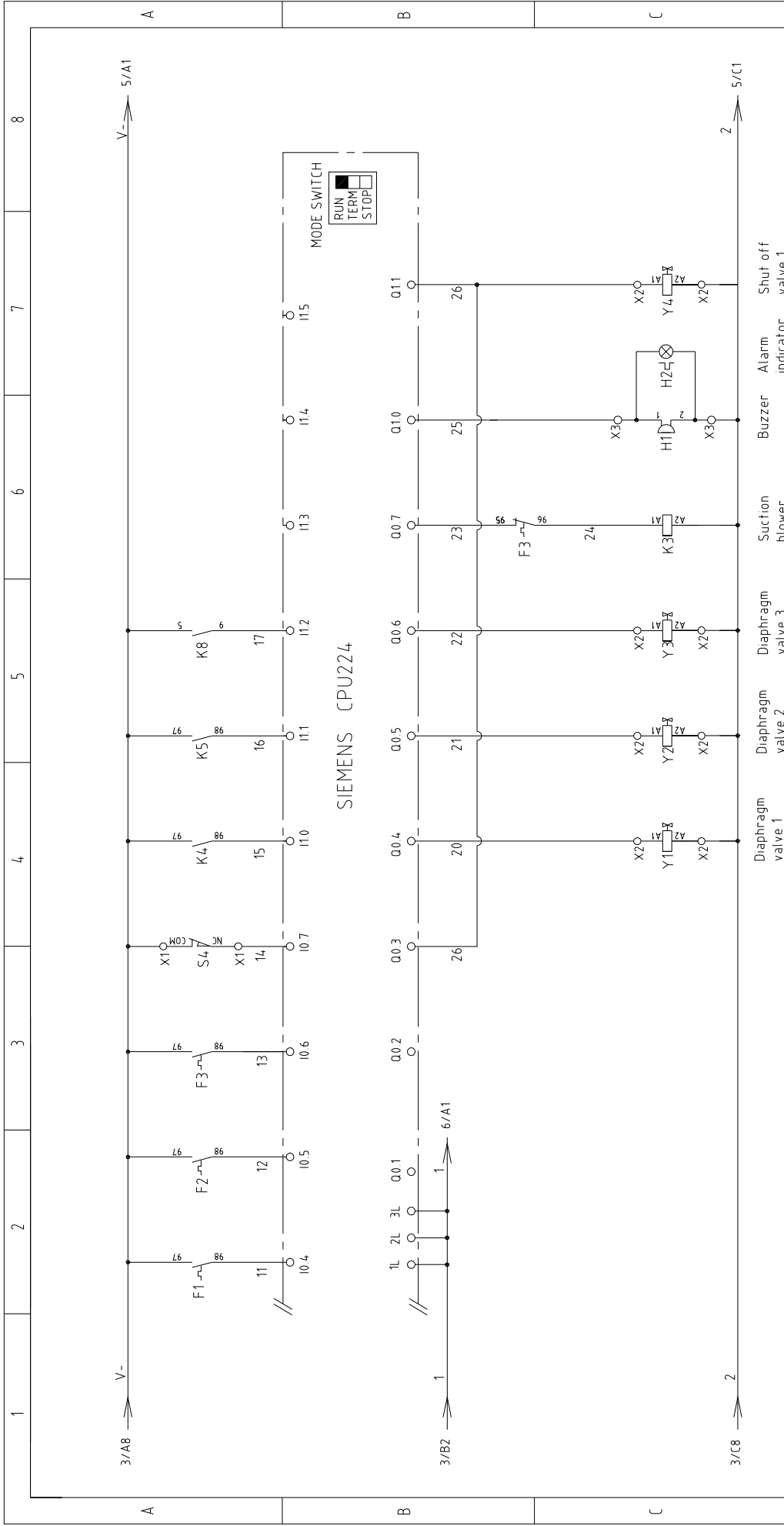
Version	F
Approved by	
Date	20160816

Drawer	
Designer	
Proofread by	
Checked by	

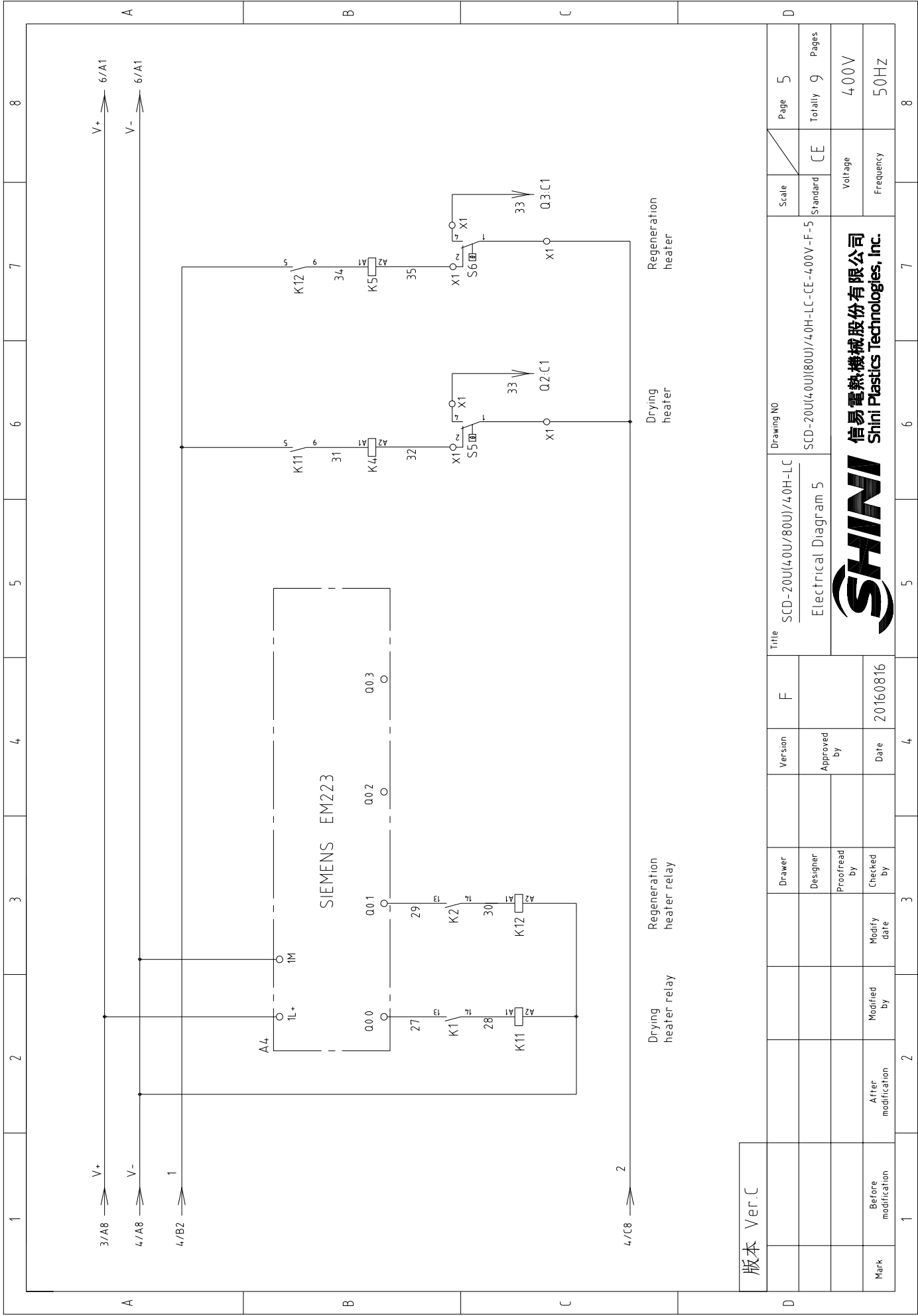
Mark	Before modification
Modified by	
Modify date	



版本 Ver.C



1	2	3	4	5	6	7	8
A	B	C					
D	Version		F	Title		Scale	Page
版本 Ver.C			F	SCD-200(4.0U/80U)/4.0H-LC Electrical Diagram 4		Standard	4
Mark	Before modification	Modified by	Date	Drawing NO.		Voltage	Pages
1	2	3	4	SCD-200(4.0U)80U/4.0H-LC-CE-4.00V-F-4		400V	9
1	2	3	4	SHINI 信易電熱機械股份有限公司 Shini Plastics Technologies, Inc.		Frequency	8
1	2	3	4	5	6	7	8



Mark	Before modification	Modified by	20160816	Date
	Alter modification	Checked by		
		Proofread by		
		Designer		
		Drawer		
		Version	F	
		Title		SCD-20U(4.0U/80U)/4.0H-LC

Electrical Diagram 5
 SCD-20U(4.0U)(80U)/4.0H-LC-CE-4.00V-F-5

Scale
 Standard
 Voltage 400V
 Frequency 50HZ

Page 5
 Totaly 9
 Pages

SHINI
 信易電熱機械股份有限公司
 Shini Plastics Technologies, Inc.

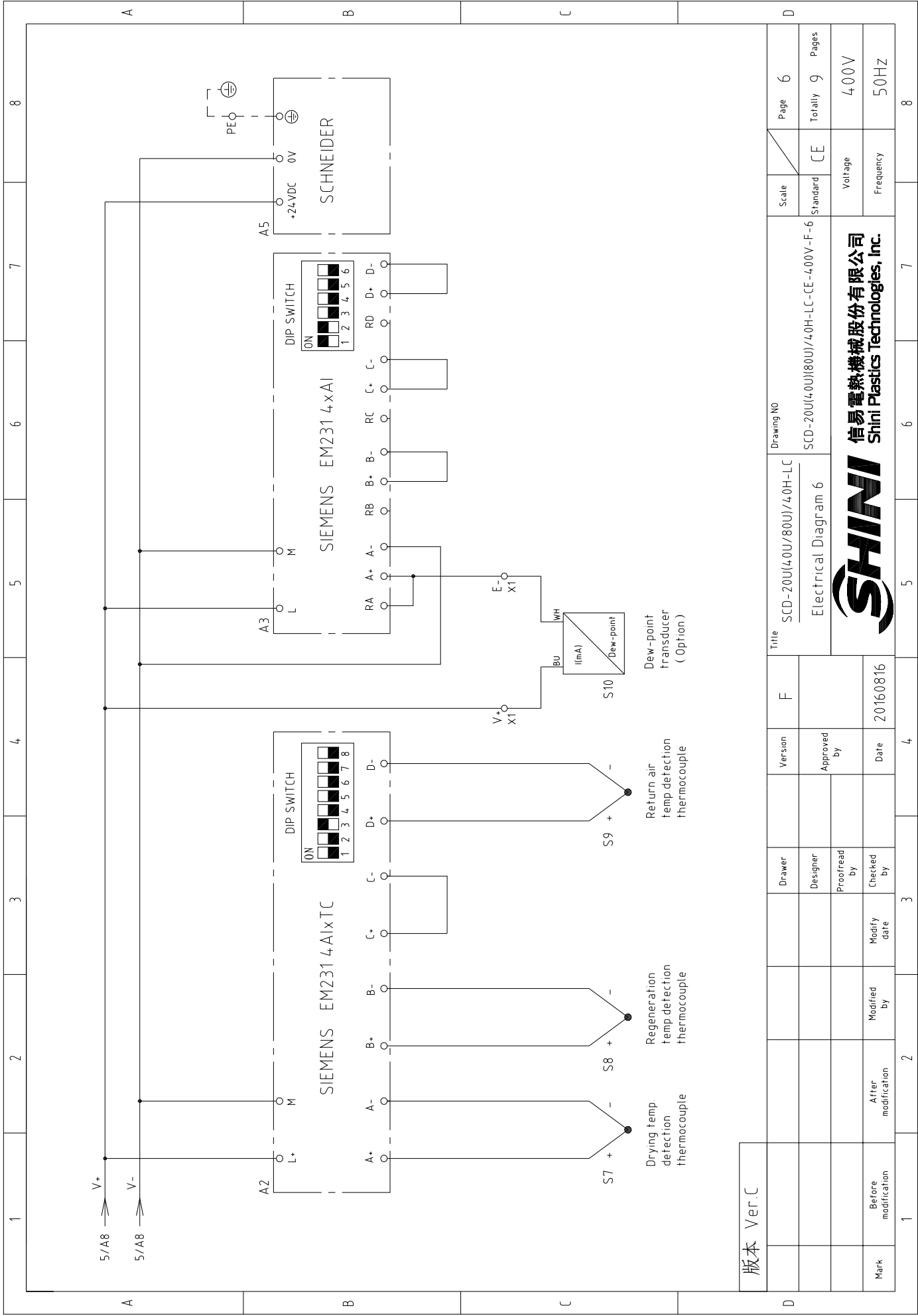
Version 4
 Date 20160816

Page 5
 Totaly 9
 Pages

Scale
 Standard
 Voltage 400V
 Frequency 50HZ

SHINI
 信易電熱機械股份有限公司
 Shini Plastics Technologies, Inc.

Version 2
 Date 20160816



版本 Ver.C

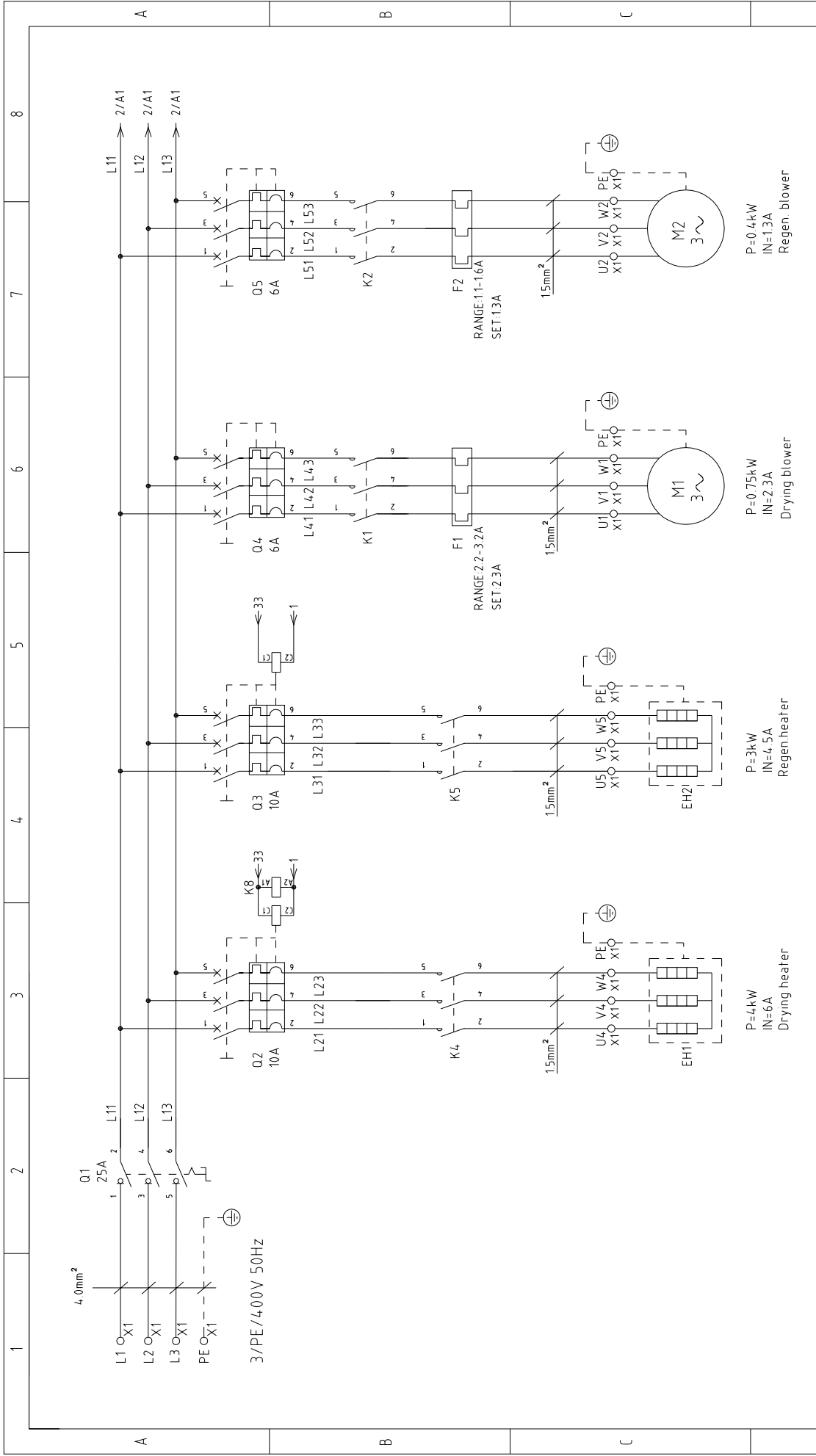
1	2	3	4	5	6	7	8	
Title			Version		F		Drawing NO.	
SCD-20U(4.0U/80U)/4.0H-LC							SCD-20U(4.0U)80U/4.0H-LC-CE-4.00V-F-6	
Electrical Diagram 6							Standard	
Scale			CE		Page		6	
Voltage			400V		Totally		9	
Frequency			50HZ		Pages			
Mark			Alter modification		Modified by		Before modification	
Date			20160816		Checked by		SHINI	
Date			20160816		Approved by		信易電熱機械股份有限公司 Shini Plastics Technologies, Inc.	

1	2		3	4	5	6	7	8
NO	Symbol	Name	Manufacturer	Type	Specification	Number	Material number	Remark
1	Q1	Main switch	MOELLER	TO-2-1/EA/SVB	16A	1	YE10021160000	
2	Q2 Q3 Q6	Circuit-breaker	TECO	BM-63C 3P	10A	3	YE40301003000	
3	Q4 Q5	Excitation release	TECO	MX	220V 50/60Hz	2	YE40023560000	
4		Circuit-breaker	TECO	BM-63C 3P	6A	2	YE40300603000	
5	K1	Contacto	SIEMENS	3RT6016-1AN21	220V 50/60Hz	1	YE00601621000	
6	K2	Contacto	SIEMENS	3RT6016-1AN21	220V 50/60Hz	1	YE00601621000	
7	K3	Contacto	SIEMENS	3RT6016-1AN21	220V 50/60Hz	1	YE00601621000	
8	K4	Contacto	SIEMENS	3RT6017-1AN21	220V 50/60Hz	1	YE00601721000	
9	K5	Contacto	SIEMENS	3RT6017-1AN21	220V 50/60Hz	1	YE00601721000	
10	K6	Phase relay	CHAOSHI	ABJ-10W	400V 50/60Hz	1	YE03103800000	
11	K7 K8	Middle relay	WEIDMULLER	DRM270730LT	220V 50/60Hz	2	YE03270700000	
12	K11 K12	Middle relay	WEIDMULLER	DRM270724LT	24V DC	2	YE032724-00000	
13	F1	Thermo overload relay	SIEMENS	3RU6116-0EB0	0.28-0.4A	1	YE01161280000	
14	F2	Thermo overload relay	SIEMENS	3RU6116-1AB0	1.1-1.6A	1	YE01160110000	(1)
15	F3	Thermo overload relay	SIEMENS	3RU6116-1FB0	3.5-5A	1	YE01160350000	
16	A1	PLC	SIEMENS	CPU224 AC/DC/RLY	100-230VAC 50/60Hz	1	YE810224-00100	
17	A2	PLC Expansion module	SIEMENS	EM231 4xTC	--	1	YE82023100100	
18	A3	PLC Expansion module	SIEMENS	EM231 4xAI	--	1	YE82023100000	(2)
19	A4	PLC Expansion module	SIEMENS	EM223	4-24VDC,4-out 24VDC,transistor-out	1	YE82022300200	
20	A5	Human-machine interface	SCHNEIDER	GX03501	24VDC	1	YE80350100100	
21	FU1	Fuse base	CHINT	RT18-32	2P	1	YE41032200000	
22		Fuse	CHINT	10x38 500V	2A	2	YE46002000100	
23	FU2	Fuse	YINDA	FS-10	2A	1	YE41001000000	
24	T	Transformer	--	--	IN=400V OUT=230V 500mA	1	YE70402300800	
25	U	DC power	MEAN WELL	NES-35-24	OUT=DC24V 1.5A	1	YE713524-00100	
版本 Ver.C		Notes: (1)Means it's not the material inside the control box. (2)Stands for optional.			Drawing NO		Scale	
		Title SCD-200(4.0U/80U)/4.0H-LC			Standard		Page 8	
		Electrical Components List 1			SCD-200(4.0U)(80U)/4.0H-LC-CE-4.00V-F-8		Totally 9 Pages	
Mark		Before modification		20160816		Voltage		400V
		After modification		Date		Frequency		50Hz
1	2	3	4	5	6	7	8	9



信易電熱機械股份有限公司
Shini Plastics Technologies, Inc.

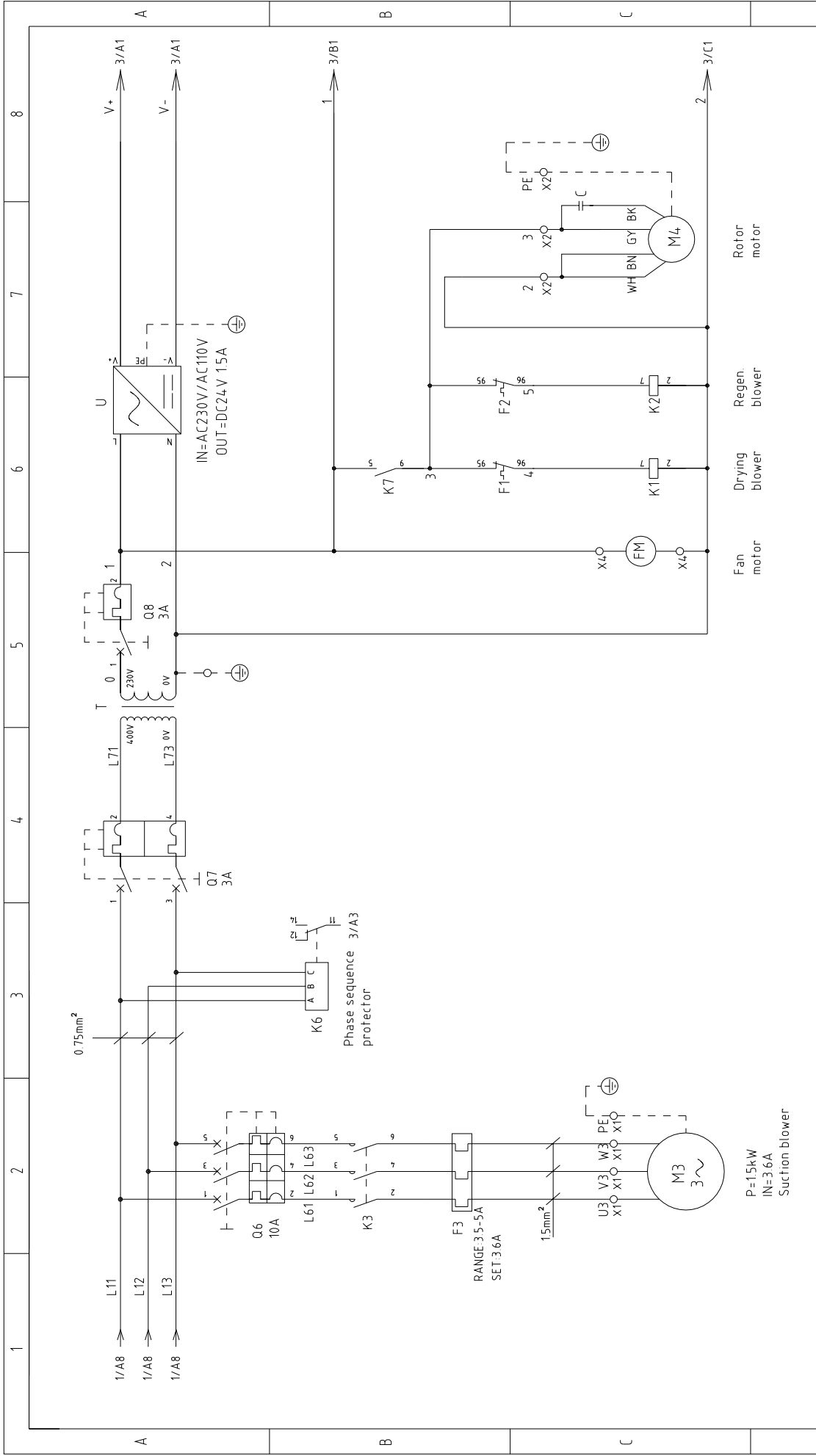
1		2		3		4		5		6		7		8	
NO	Symbol	Name	Manufacturer	Type	Specification	Number	Material number	Remark	A		B		C		D
									Material number	Remark	Material number	Remark	Material number	Remark	
26	S1	Reed switch	FOTEK	FC-12V	24VDC	1	-----	(1)							
27	S2 S3	Photoelectric switch	FOTEK	T18-3MNB-PE	24VDC	2	YE15143900000	(1)							
28	S4	Micro switch	TEND	LXW5-11G1	250V 5(4)A	1	YE14152400000	(1)							
29	S5	Temperature protector	-----	-----	250V 5(4)A	1	-----	(1)							
30	S6	Temperature protector	-----	-----	250V 5(4)A	1	-----	(1)							
31	S7 S8 S9	Thermocouple	SHINI	ST-K	K	3	-----	(1)							
32	S10	Dew-point transducer	CS	CS 217-OEM	POWER=24VDC OUT=4-20mA	1	YE90021700100	(1) (2)							
33	Y1-Y4	Solenoid valve	-----	MSFW-230-50/60	220V 50/60Hz	4	-----	(1)							
34	H1	Buzzer	HITPOINT	PF-35A	60-250V	1	YE84,003500200	(1)							
35	H2	Alarm indicator	SHINI	LED-3051	220V 50/60Hz	1	YE83305100200	(1)							
36	X1 X2 X4	Terminal board	-----	4mm ²	4.1A 690V	18	YE60000403200								
37				4mm ² PE	-	6	YE60000403500								
38				2.5mm ²	32A 690V	20	YE60002503200								
39				2.5mm ² PE	-	6	YE60002503400								
40	X3	Terminal board	-----	ZDIK 1.5	10A 250V	3	YE60001003600								
41				FBSTB 10-ZDIK RD	10A 250V	3	YE60001000200								
42				SK2.5-TL	10A 250V	3	YE60002503600								
43	X5 X6 X7	Heavy duty connector	WEIN	HDC-HA-004.1	4P 10A	3	YE68041000100	(1)							
44	FM	Fan	SUNON	DP-200A	230VAC 40W	1	YM601212004.00	(1)							
45	M1	Blower	SHINI	-----	400V 0.12kW	1	-----	(1)							
46	M2	Blower	SHINI	-----	400V 0.4kW	1	-----	(1)							
47	M3	Blower	SHINI	-----	400V 15kW	1	-----	(1)							
48	M4	Motor	-----	-----	230V 0.015kW	1	-----	(1)							
49	EH1	Pipe heater	SHINI	-----	400V 4kW	1	-----	(1)							
50	EH2	Pipe heater	SHINI	-----	400V 3kW	1	-----	(1)							
版本 Ver.C		Notes: (1)Means it's not the material inside the control box. (2)Stands for optional.													
D		Title		Drawing NO		Scale		Page		9		Page		8	
		SCD-20U(4.0U/80U)/4.0H-LC		SCD-20U(4.0U/80U)/4.0H-LC-CE-4.00V-F-9		Standard		CE		Totally		9		Pages	
Electrical Components List 2		SHINI		信易電熱機械股份有限公司		Shini Plastics Technologies, Inc.		Voltage		400V		Frequency		50HZ	
Mark		Before modification		Alter modification		Modified by		Modified date		Checked by		Date		20160816	
1		2		3		4		5		6		7		8	



整机版本 Ver.E

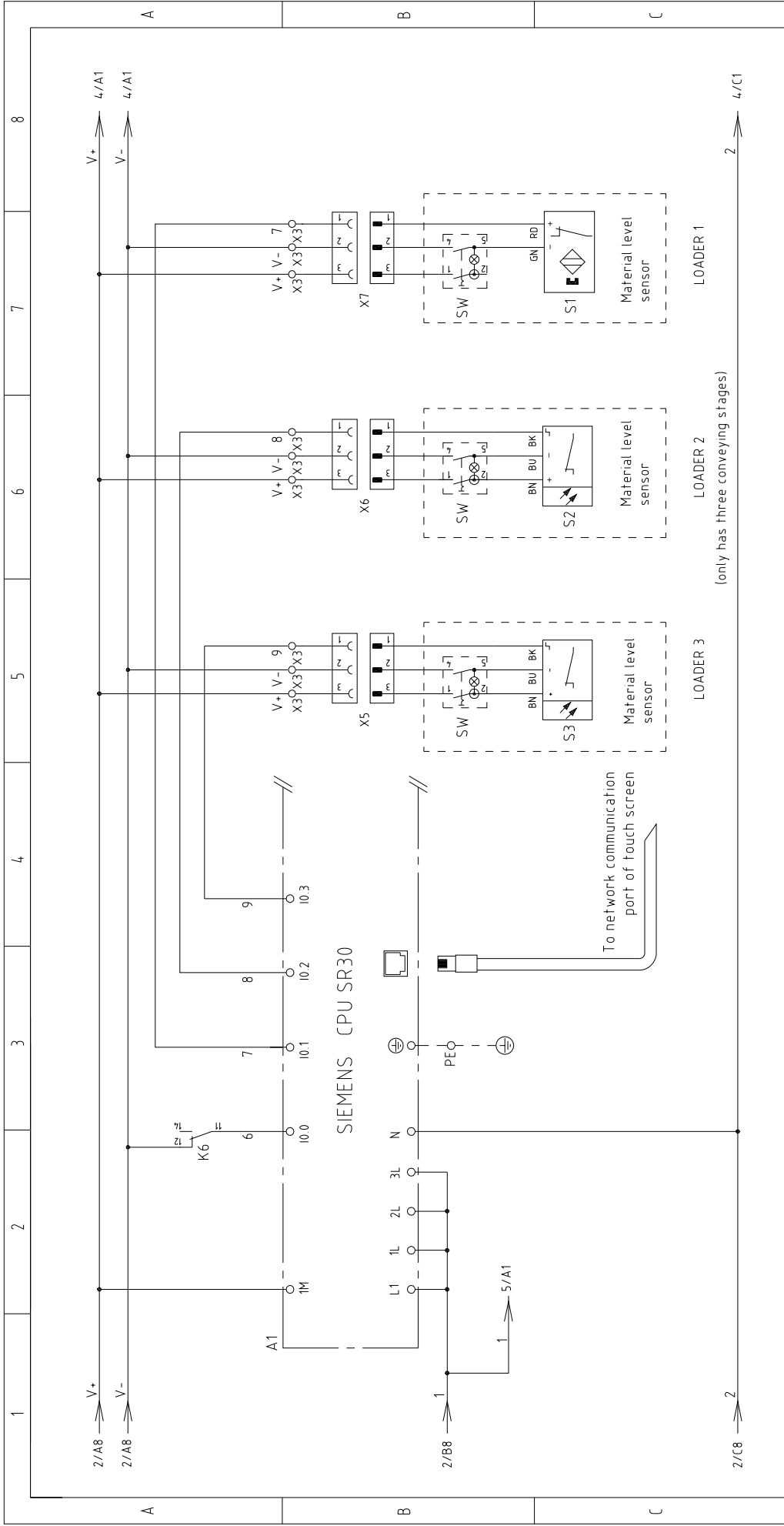
D	Version	0	Title	SCD-120U(160U)/80H-LC Electrical Diagram 1		Drawing NO.	SCD-120U(160U)/80H-LC-CE-400V-0-1	Scale	Standard	Page	1
	Approved by							Standard	CE	Totally	10 Pages
Mark	Modified by		Modified date					Voltage	400V	Frequency	50HZ
	Before modification		20181009								




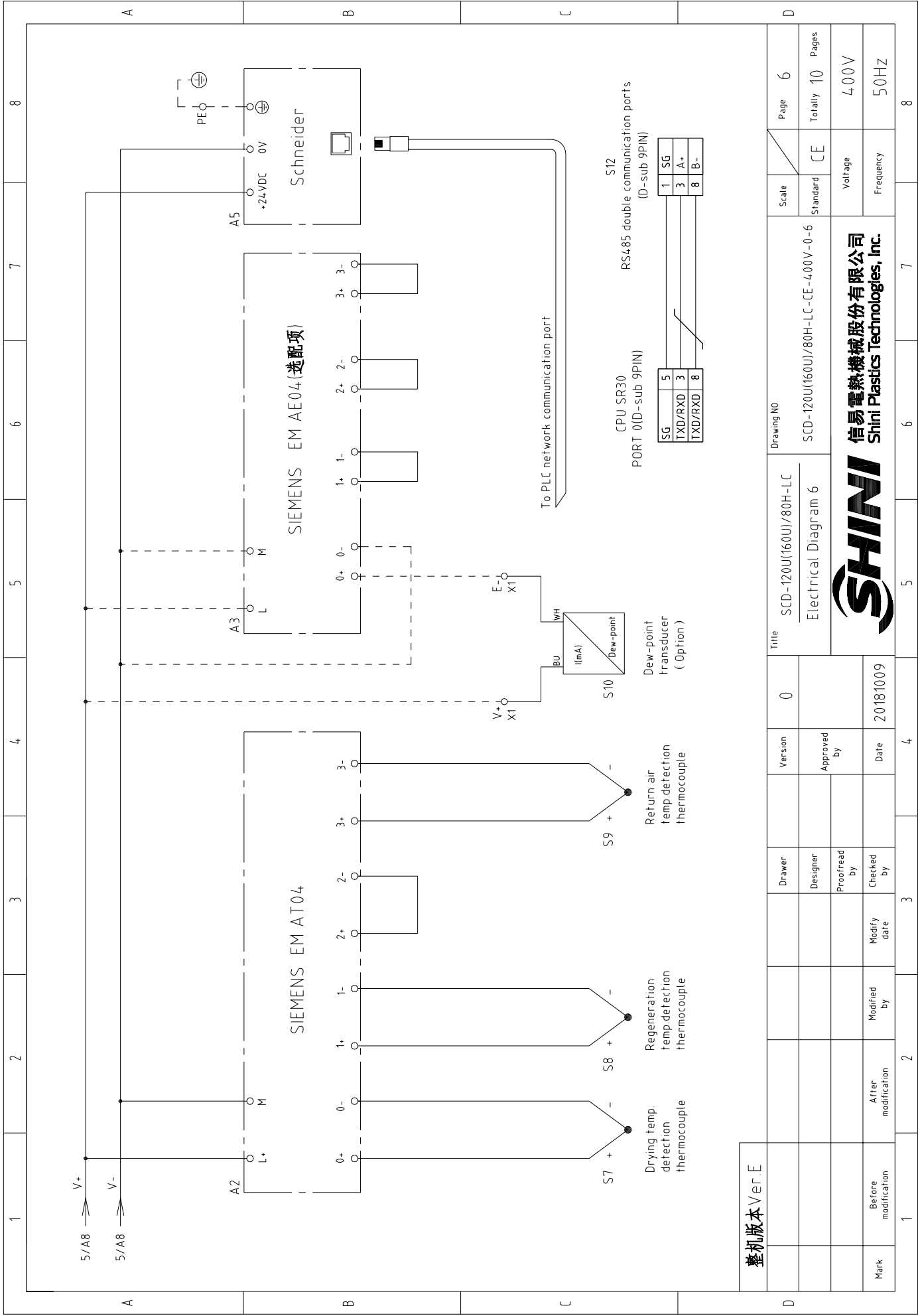


整机版本 Ver.E

D	Mark	Before modification	Modified by	2	1	Fan motor	Drying blower	Regen. blower	Rotor motor	Drawing NO.	Scale	Page		
	After modification	Modified by	2	1	Standard						2			
D	Title		Version		SHINI 信易電熱機械股份有限公司 Shini Plastics Technologies, Inc.	Fan motor	Drying blower	Regen. blower	Rotor motor	SCD-120U(160U)/80H-LC	Standard	Totally		
	Electrical Diagram 2		0										CE	Pages
	SCD-120U(160U)/80H-LC-400V-0-2		Approved by											
Mark	Before modification	Modified by	20181009	Date	4	5	6	7	8	400V	50HZ	10		
Modified by	20181009	Date	4	5	6	7	8	9	10	11	12	13		



整機版本 Ver.E		Drawing NO.		Scale		Page	
Version 0		SCD-120U(160U)/80H-LC		Standard CE		3	
Approved by		Electrical Diagram 3		Voltage		Totally 10 Pages	
Date 20181009		SCD-120U(160U)/80H-LC-CE-400V-0-3		Frequency		400V	
Modified by		 信易電熱機械股份有限公司 Shini Plastics Technologies, Inc.		50HZ		8	
After modification				2		1	



整机版本 Ver.E	1	2	3	4	5	6	7	8
------------	---	---	---	---	---	---	---	---

Mark	Before modification	Modified by	Modified date	Checked by	Proofread by	Designer	Drawer	Version	0	Title	SCD-120U(160U)/80H-LC Electrical Diagram 6	Drawing NO.	SCD-120U(160U)/80H-LC-CE-400V-0-6	Scale	Standard	CE	Page	6
								Approved by									Totally	10
								Date	20181009								Voltage	400V
																	Frequency	50HZ



SG	5	1	SG
TXD/RXD	3	3	A+
TXD/RXD	8	8	B-

1	2		3	4	5	6	7	8
N0	Symbol	Name	Manufacturer	Type	Specification	Number	Material number	Remark
1	Q1	Main power switch	EATON	P1-25-EA/SVB	25A	1	YE10125250000	
2	Q2	Circuit-breaker	TECO	BM-63C 3P	10A	1	YE40301003000	
3	Q3 Q6	Circuit-breaker	TECO	BM-63C 3P	10A	2	YE40301003000	
4	Q4	Excitation release	TECO	MX	220V 50/60Hz	2	YE40023560000	
5	Q4 Q5	Circuit-breaker	TECO	BM-63C 3P	6A	2	YE40300603000	
6	Q7	Circuit-breaker	TECO	BM-63C 2P	3A	1	YE40200203000	
7	Q8	Circuit-breaker	TECO	BM-63C 1P	3A	1	YE40100203000	
8	K1 K2 K3	Contact	SIEMENS	3RT6016-1AN21	9A 220V 50/60Hz	3	YE00601621000	
9	K4	Contact	SIEMENS	3RT6017-1AN21	12A 220V 50/60Hz	1	YE00601721000	
10	K5	Contact	SIEMENS	3RT6017-1AN21	12A 220V 50/60Hz	1	YE00601721000	
11	K6	Phase relay	CHAOSHI	ABJ-10W	400V 50/60Hz	1	YE03103800000	
12	K7 K8	Middle relay	WEIDMULLER	DRM270730LT	220V 50/60Hz	2	YE03270700000	
13	K11 K12	Middle relay	WEIDMULLER	DRM270724LT	24V DC	2	YE03272400000	
14	F1	Thermo overload relay	SIEMENS	3RU6116-1DB0	2.2-3.2A	1	YE01160220000	
15	F2	Thermo overload relay	SIEMENS	3RU6116-1AB0	1.1-1.6A	1	YE01160110000	
16	F3	Thermo overload relay	SIEMENS	3RU6116-1FB0	3.5-5A	1	YE01160350000	
17	A1	PLC	SIEMENS	CPU SR30 AC/DC/RLY	100-230VAC 50/60Hz	1	YE81003006000	
18	A2	PLC Analog module	SIEMENS	EM AT04	--	1	YE82000400300	
19	A3	PLC Analog module	SIEMENS	EM AE04	--	1	YE82000400100	(2)
20	A4	PLC Analog module	SIEMENS	SB DT04	--	1	YE90000401300	
21	A5	Human-machine interface	SCHNEIDER	GX03512	24VDC	1	YE80351200200	
22	T	Transformer	--	--	IN=400V OUT=230V 500mA	1	YE70402300800	
23	U	DC power	MEAN WELL	NES-35-24	OUT=DC24V 1.5A	1	YE71352400100	
24	S1	Reed switch	FOTEK	FC-12V	24VDC	1	-----	(1)
25	S2 S3	Photoelectric switch	FOTEK	T18-3MNB-PE	24VDC	2	-----	(1)
整机版本 Ver.E								
Notes: (1)Means it's not the material inside the control box. (2)Stands for optional.								
				Version	0	Drawing NO		Page 8
				Drawer		Title		Scale
				Designer		SCD-120U(160U)/80H-LC		Standard
				Proofread by		Electrical Components List 1		CE
				Checked by		SCD-120U(160U)/80H-LC-CE-400V-0-8		Totally 10
				Modified by				Pages
				Modify date				Voltage
				Alter modification				Frequency
				Before modification				400V
								50HZ
								8



信易電熱機械股份有限公司
Shini Plastics Technologies, Inc.

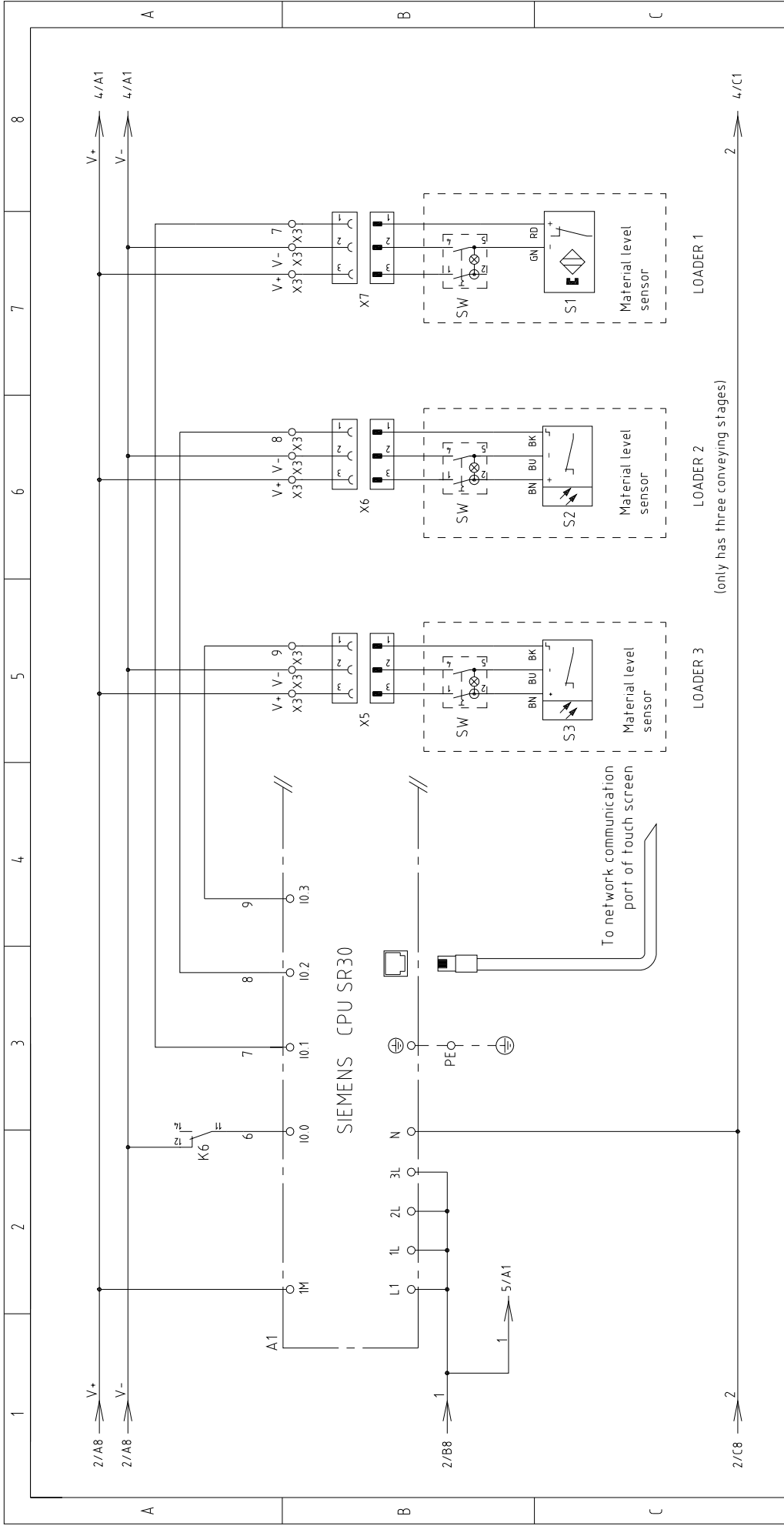
1		2		3		4		5		6		7		8	
NO	Symbol	Name	Manufacturer	Type	Specification	Number	Material number	Remark							
26	S4	Micro switch	TEND	LXW5-11G1	250V 5(4)A	1	-----	(1)							
27	S5	Temperature protector	-----	-----	250V 5(4)A	1	-----	(1)							
28	S6	Temperature protector	-----	-----	250V 5(4)A	1	-----	(1)							
29	S7 S8 S9	Thermocouple	SHINI	ST-K	K	3	-----	(1)							
30	S10	Dew-point transducer	CS	CS 217-OEM	POWER=24VDC OUT=4-20mA	1	YE90021700100	(1) (2)							
31	Y1-Y4	Solenoid valve	-----	MSFW-230-50/60	220V 50/60HZ	4	-----	(1)							
32	H1	Buzzer	HITPOINT	PF-35A	60-250V	1	YE84,003500200	(1)							
33	H2	Alarm indicator	SHINI	LED-3051	220V 50/60HZ	1	YE83305100200	(1)							
34	X1 X2 X4	Terminal board	-----	4mm ²	41A 690V	18	YE60000403200								
35				4mm ² PE	-	6	YE60000403500								
36				2.5mm ²	32A 690V	20	YE60002503200								
37				2.5mm ² PE	-	5	YE60002503400								
38				2.5mm ²	32A 690V	6	YE60002503200	(2)							
39				2.5mm ² PE	-	2	YE60002503400	(2)							
40	X3	Terminal board	-----	三层弹簧端子SK2.5-TL	10A 250V	3	YE60002503600								
41				FBSTB 10-ZDIK RD	10A 250V	3	YE60001000200								
42				SK2.5-TL	10A 250V	3	YE60002503600								
43	X5 X6 X7	Heavy duty plug-in	WEIN	HDC-HA-004.1	4P 10A	3	YE68041000100	(1)							
44	FM	Fan	SUNON	DP-200A	230VAC 40W	1	YM601212004.00	(1)							
45	S10	Communication interface board RS-485 (double Dsub-9pin connector)	-----	-----	-----	1	YE90048501200	(1)							
46		Shell RS-485(SAL-700G-A-1910)	-----	-----	-----	1	YR40048500000	(1)							
47	M1	Blower	SHINI	-----	400V 0.75kW	1	-----	(1)							
48	M2	Blower	SHINI	-----	400V 0.4kW	1	-----	(1)							
49	M3	Blower	SHINI	-----	400V 1.5kW	1	-----	(1)							
50	M4	Motor	-----	-----	230V 0.015kW	1	-----	(1)							

整机版本 Ver.E		Notes: (1)Means it's not the material inside the control box. (2)Stands for optional.												
		Title		Drawing NO		Scale		Page		9			8	
		SCD-120U(160U)/80H-LC		SCD-120U(160U)/80H-LC-CE-400V-0-9		Standard		CE		Totaly			10	
		Electrical Components List 2								Voltage			400V	
Mark		Alter modification		Modified by		Modified date		Checked by		Date			50HZ	
1				20181009						SHINI			信易电热机械股份有限公司 Shini Plastics Technologies, Inc.	
		Version		0		Approved by		Date		5			8	
		Drawer				Designer		Proofread by		6			7	
		Checked by				Checked by		Date		7			8	

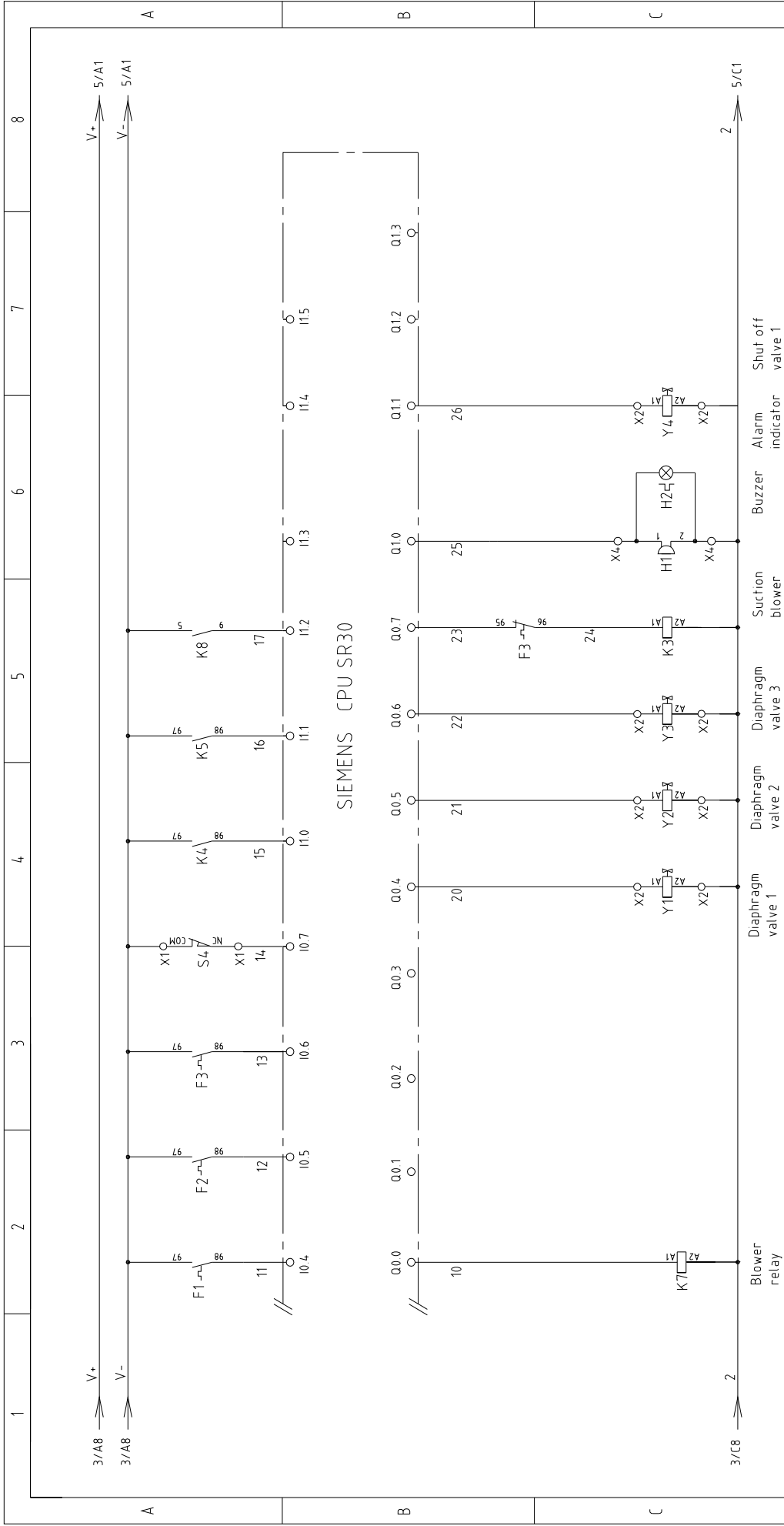
1	2		3	4	5	6	7	8
No.	Symbol	Name	Manufacturer	Type	Specification	Number	Material number	Remark
51	EH1	Heater	SHINI	-----	400V 4kW	1	-----	(1)
52	EH2	Heater	SHINI	-----	400V 3kW	1	----- 60Hz: 4kw	(1)
53		Super five classes network wire jumper	----	-----	2M	1	YE90000201600	
54		Terminal fixed fittings	HONEYWELL	-----	-----	5	YE600000003900	
A								
B								
C								
D								
整机版本 Ver.E Notes: (1)Means it's not the material inside the control box. (2)Stands for optional.								
			Version	0	Title		Scale	
			Drawer		SCD-120U(160U)/80H-LC		Standard	Page 10
			Designer		Electrical Components List 3		CE	Totally 10 Pages
			Proofread by				Voltage	400V
			Checked by				Frequency	50HZ
Mark			Modified by	20181009				
Before modification			Modify date					
1								
2								
3								
4								
5								
6								
7								
8								



信易電熱機械股份有限公司
Shini Plastics Technologies, Inc.



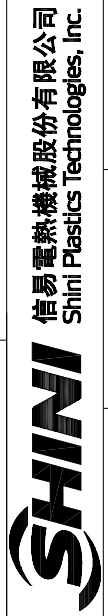
1	2	3	4	5	6	7	8
<p>160U/120H整机版本 Ver.E 230U/120H整机版本 Ver.D</p>							
Title		Version		Scale		Page	
SCD-160U(230U)/120H-LC		H		SCD-160U(230U)/120H-LC-CE-4.00V-H-3		3	
Electrical Diagram 3				Standard		Totally 10 Pages	
				Voltage		400V	
				Frequency		50HZ	
<p>信易電熱機械股份有限公司 Shini Plastics Technologies, Inc.</p>							
Approved by		Date		Modified by		After modification	
		20181009					
Checked by		Modify date		Modified by		After modification	
Proofread by		Checked by		Modified by		After modification	
Designer		Checked by		Modified by		After modification	
Drawer		Checked by		Modified by		After modification	

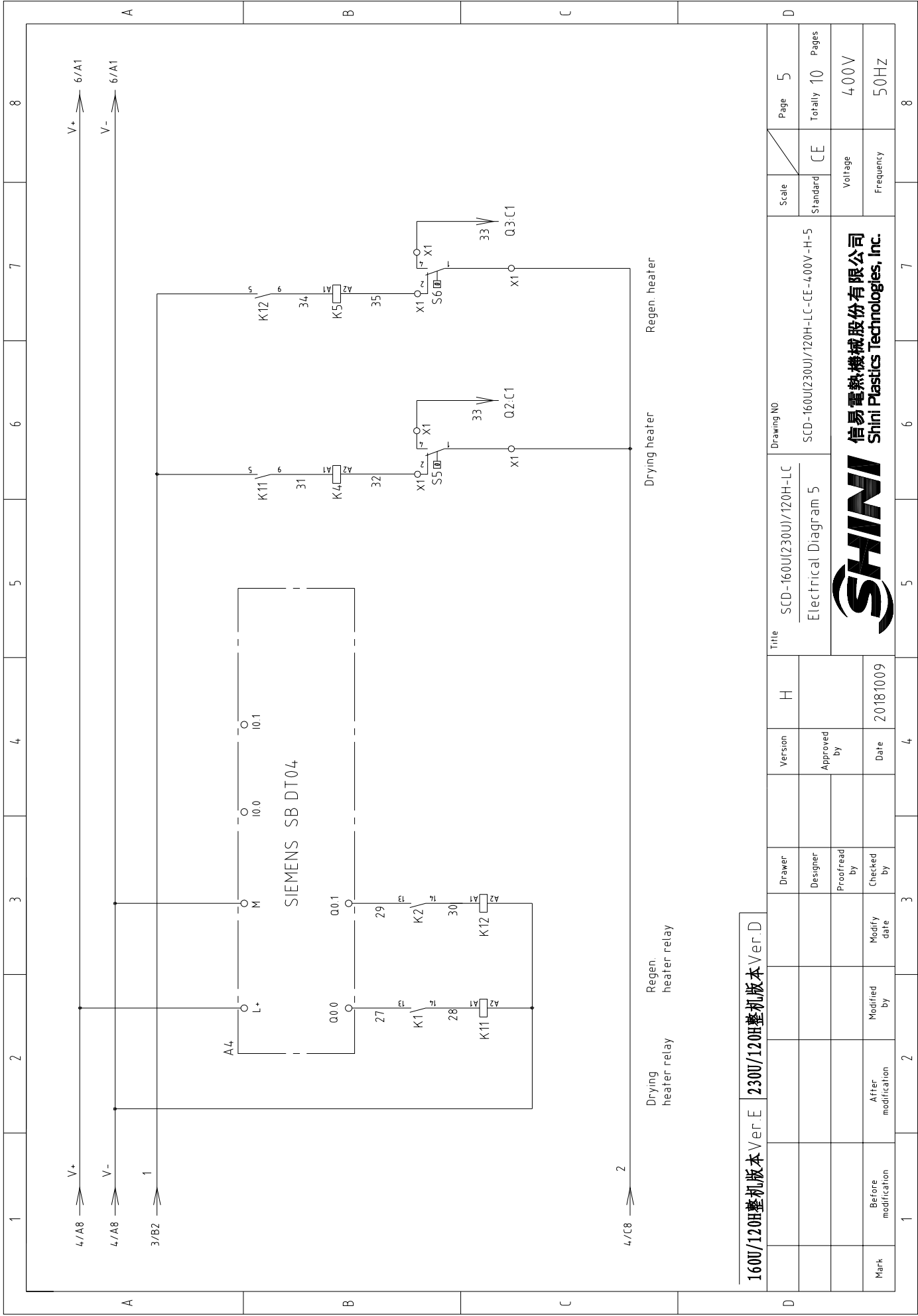


Note: When not optional with M2, the Line No.21 is changed to Line No.22.

160U/120H整机版本 Ver.E 230U/120H整机版本 Ver.D

1	2	3	4	5	6	7	8
Mark	Before modification	Modified by	Modified date	Checked by	Proofread by	Designer	Drawer
	After modification			Approved by			
Title				Version			
SCD-160U(230U)/120H-LC				H			
Electrical Diagram 4				SCD-160U(230U)/120H-LC			
Drawing NO.				Scale			
SCD-160U(230U)/120H-LC-CE-4.00V-H-4				Standard			
Voltage				Page			
400V				4			
Frequency				Totally			
50HZ				10			
				Pages			
				8			



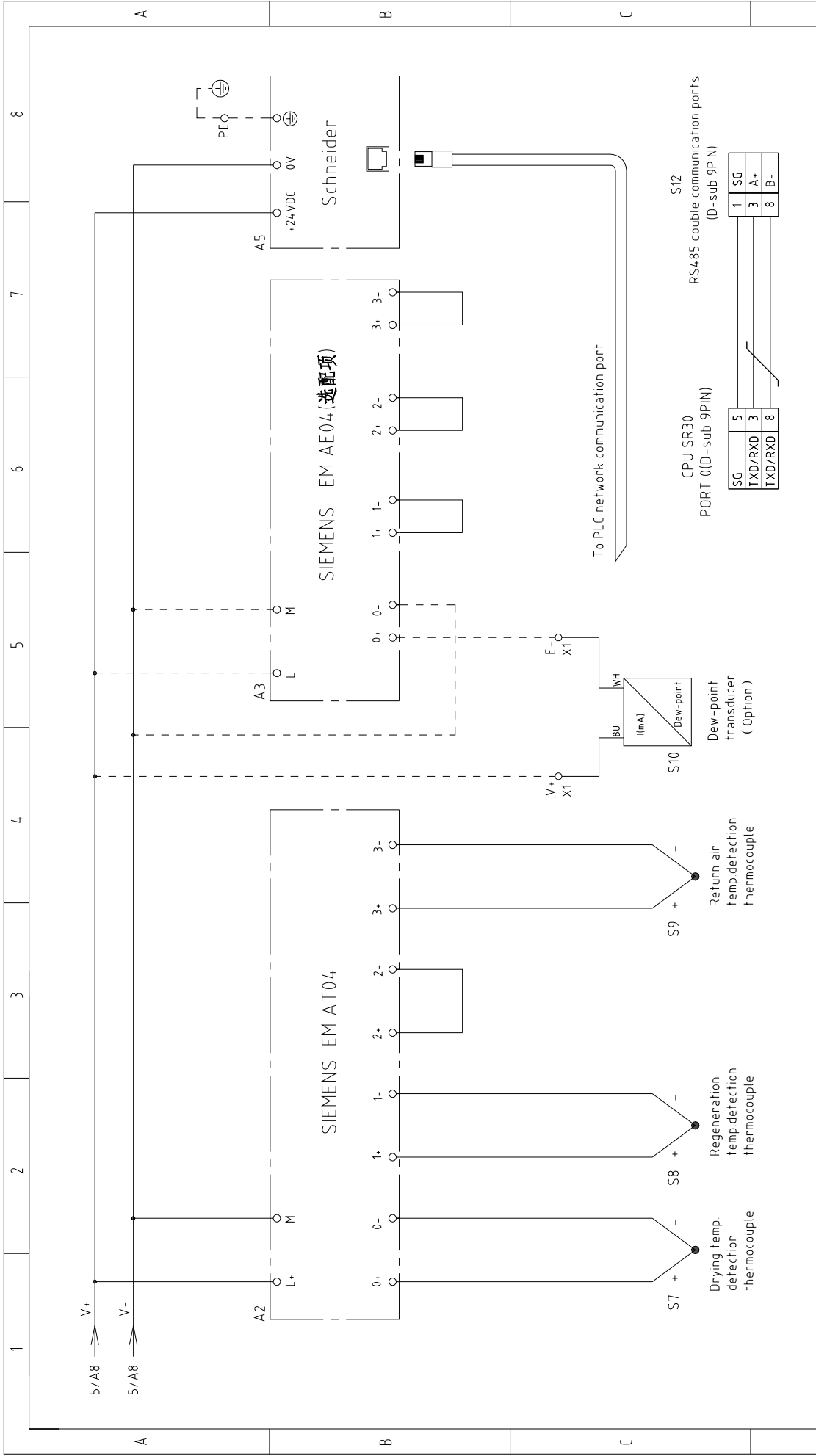


160U/120H整機版本 Ver.E 230U/120H整機版本 Ver.D

Mark	Before modification	Modified by	Modified date	Approved by	Version	H	Title	Drawing NO.	Scale	Page
	After modification	20181009			5					
								Standard	CE	Totally
								Standard	CE	10
								Standard	CE	Pages
								Standard	CE	400V
								Standard	CE	50HZ

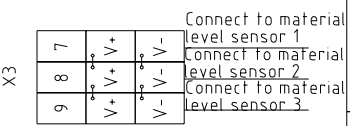
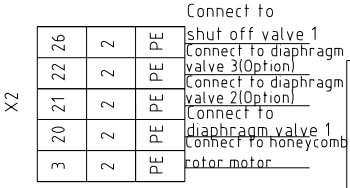
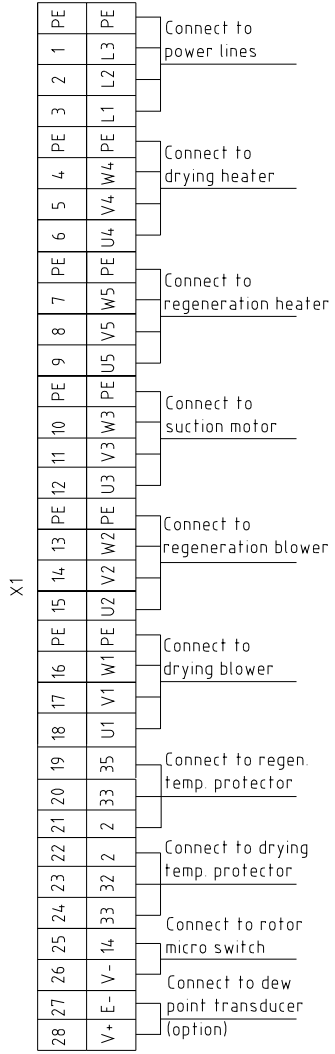
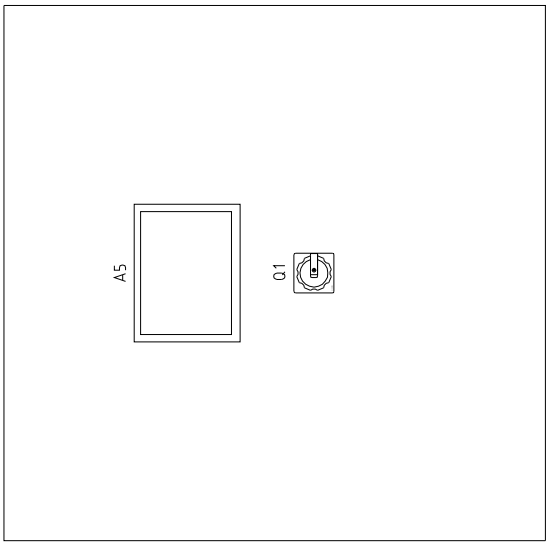
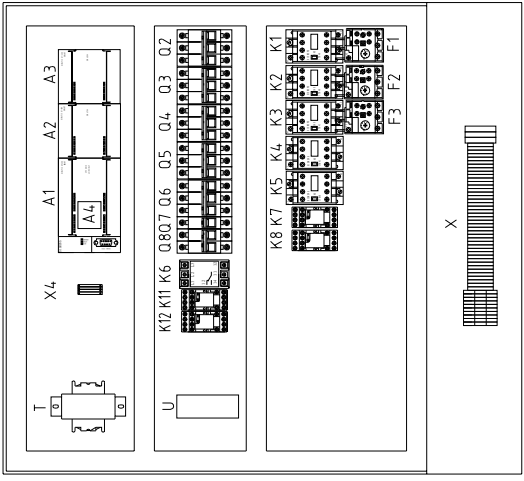
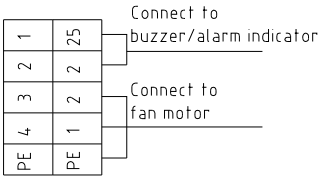
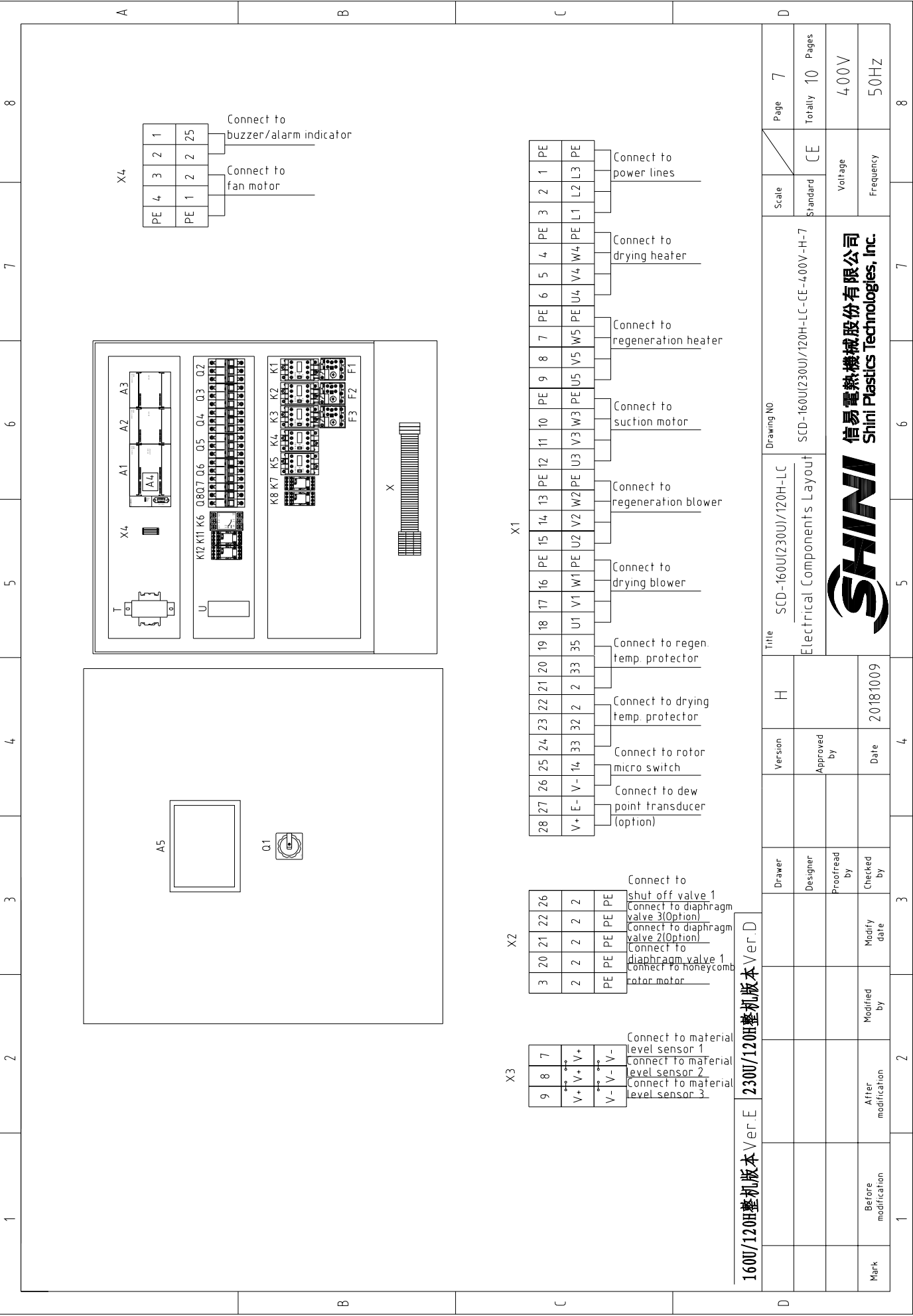


SCD-160U(230U)/120H-LC
Electrical Diagram 5
SCD-160U(230U)/120H-LC-CE-4.00V-H-5



160U/120H整机版本 Ver.E		230U/120H整机版本 Ver.D	
Mark	Before modification	Modified by	Alter modification
		Checked by	Checked by
		Proofread by	Proofread by
		Designer	Designer
		Version	Version
		H	H
Title		Title	
SCD-160U(230U)/120H-LC		SCD-160U(230U)/120H-LC	
Electrical Diagram 6		Electrical Diagram 6	
Drawing NO.		Drawing NO.	
SCD-160U(230U)/120H-LC-CE-4.00V-H-6		SCD-160U(230U)/120H-LC-CE-4.00V-H-6	
Scale	CE	Standard	Standard
Page	6	Totally	10
		Voltage	400V
		Frequency	50HZ
1	2	3	4
5	6	7	8





160U/120H整機版本 Ver.E		230U/120H整機版本 Ver.D		Title SCD-160U(230U)/120H-LC		Drawing NO. SCD-160U(230U)/120H-LC-CE-400V-H-7		Scale	Page 7
Electrical Components Layout		Electrical Components Layout		Standard		CE		Totally 10	Pages
Mark		After modification		Modified by		Modify date		Voltage 400V	
Before modification		Date 20181009		Approved by		Checked by		Frequency 50HZ	
SHINI		信易電熱機械股份有限公司		SHINI		Shini Plastics Technologies, Inc.		8	

1	2		3	4	5	6	7	8
N0	Symbol	Name	Manufacturer	Type	Specification	Number	Material number	Remark
1	Q1	Main power switch	EATON	P1-25-EA/SVB	25A	1	YE10125250000	
2	Q2	Circuit-breaker	TECO	BM-63C 3P	16A	1	YE40301603000	
3	Q3 Q6	Circuit-breaker	TECO	BM-63C 3P	10A	2	YE40301003000	
4	Q4	Excitation release	TECO	MX	220V 50/60Hz	2	YE40023560000	
5	Q4 Q5	Circuit-breaker	TECO	BM-63C 3P	6A	2	YE40300603000	
6	Q7	Circuit-breaker	TECO	BM-63C 2P	3A	1	YE40200203000	
7	Q8	Circuit-breaker	TECO	BM-63C 1P	3A	1	YE40100203000	
8	K1 K2 K3	Contact	SIEMENS	3RT6016-1AN21	9A 220V 50/60Hz	3	YE00601621000	
9	K4	Contact	SIEMENS	3RT6018-1AN21	16A 220V 50/60Hz	1	YE00601800000	
10	K5	Contact	SIEMENS	3RT6017-1AN21	12A 220V 50/60Hz	1	YE00601721000	
11	K6	Phase relay	CHAOSHI	ABJ-10W	400V 50/60Hz	1	YE03103800000	
12	K7 K8	Middle relay	WEIDMULLER	DRM270730LT	220V 50/60Hz	2	YE03270700000	
13	K11 K12	Middle relay	WEIDMULLER	DRM270724LT	24V DC	2	YE03272400000	
14	F1	Thermo overload relay	SIEMENS	3RU6116-1DB0	2.2-3.2A	1	YE01160220000	
15	F2	Thermo overload relay	SIEMENS	3RU6116-1AB0	1.1-1.6A	1	YE01160110000	
16	F3	Thermo overload relay	SIEMENS	3RU6116-1FB0	3.5-5A	1	YE01160350000	
17	A1	PLC	SIEMENS	CPU SR30 AC/DC/RLY	100-230VAC 50/60Hz	1	YE81003006000	
18	A2	PLC Analog module	SIEMENS	EM AT04	--	1	YE82000400300	
19	A3	PLC Analog module	SIEMENS	EM AE04	--	1	YE82000400100	(2)
20	A4	PLC Analog module	SIEMENS	SB DT04	--	1	YE90000401300	
21	A5	Human-machine interface	SCHNEIDER	GX03512	24VDC	1	YE80351200200	
22	T	Transformer	--	--	IN=400V OUT=230V 500mA	1	YE70402300800	
23	U	DC power	MEAN WELL	NES-35-24	OUT=DC24V 1.5A	1	YE71352400100	
24	S1	Reed switch	FOTEK	FC-12V	24VDC	1	-----	(1)
25	S2 S3	Photoelectric switch	FOTEK	T18-3MNB-PE	24VDC	2	-----	(1)
160U/120H整機版本 Ver.E					230U/120H整機版本 Ver.D		Notes: (1)Means it's not the material inside the control box. (2)Stands for optional.	
				Title	SCD-160U(230U)/120H-LC	Drawing NO	SCD-160U(230U)/120H-LC-CE-4.00V-H-8	Page 8
				Version	H	Electrical Components List 1	Standard	CE
				Designer		Approved by	Voltage	400V
				Proofread by		Date	Frequency	50HZ
				Checked by		20181009	Totaly	10
				Modified by			Pages	
				Alter modification			Voltage	400V
				Before modification			Frequency	50HZ
1	2	3	4	5	6	7	8	8




信易電熱機械股份有限公司
Shini Plastics Technologies, Inc.

1		2		3		4		5		6		7		8		
NO	Symbol	Name	Manufacturer	Type	Specification	Number	Material number	Remark	A		B		C		D	
26	S4	Micro switch	TEND	LXW5-11G1	250V 5(4)A	1	-----	(1)								
27	S5	Temperature protector	-----	-----	250V 5(4)A	1	-----	(1)								
28	S6	Temperature protector	-----	-----	250V 5(4)A	1	-----	(1)								
29	S7 S8 S9	Thermocouple	SHINI	ST-K	K	3	-----	(1)								
30	S10	Dew-point transducer	CS	CS 217-OEM	POWER=24VDC OUT=4-20mA	1	YE90021700100	(1) (2)								
31	Y1-Y4	Solenoid valve	-----	MSFW-230-50/60	220V 50/60Hz	4	-----	(1)								
32	H1	Buzzer	HITPOINT	PF-35A	60-250V	1	YE84,003500200	(1)								
33	H2	Alarm indicator	SHINI	LED-3051	220V 50/60Hz	1	YE83305100200	(1)								
34	X1 X2 X4	Terminal board	HONEYWELL	4mm ²	41A 690V	18	YE60000403200									
35				4mm ² PE	-	6	YE60000403500									
36				2.5mm ²	32A 690V	20	YE60002503200									
37				2.5mm ² PE	-	5	YE60002503400									
38				2.5mm ²	32A 690V	6	YE60002503200	(2)								
39				2.5mm ² PE	-	2	YE60002503400	(2)								
40	X3	Terminal board	-----	三层弹簧端子SK2.5-TL	10A 250V	3	YE60002503600									
41				FBSTB 10-ZDIK RD	10A 250V	3	YE60001000200									
42				SK2.5-TL	10A 250V	3	YE60002503600									
43	X5 X6 X7	Heavy duty plug-in	WEIN	HDC-HA-004.1	4P 10A	3	YE68041000100	(1)								
44	FM	Fan	SUNON	DP-200A	230VAC 40W	1	YM601212004.00	(1)								
45	S10	Communication interface board (double Dsub-9pin connector)	-----	-----	-----	1	YE90048501200	(1)								
46				Shell RS-485(SAL-700G-A-1910)	-----	1	YR40048500000	(1)								
47	M1	Blower	SHINI	-----	400V 0.75kW	1	-----	(1)								
48	M2	Blower	SHINI	-----	400V 0.4kW	1	-----	(1)								
49	M3	Blower	SHINI	-----	400V 1.5kW	1	-----	(1)								
50	M4	Motor	-----	-----	230V 0.015kW	1	-----	(1)								

160U/120H整机版本 Ver.E | **230U/120H整机版本 Ver.D** | Notes: (1)Means it's not the material inside the control box. (2)Stands for optional.

Title		Drawing NO	
SCD-160U(230U)/120H-LC	SCD-160U(230U)/120H-LC-CE-4.00V-H-9	Scale	Page
Electrical Components List 2		Standard	Totally
		CE	10
		Voltage	400V
		Frequency	50HZ



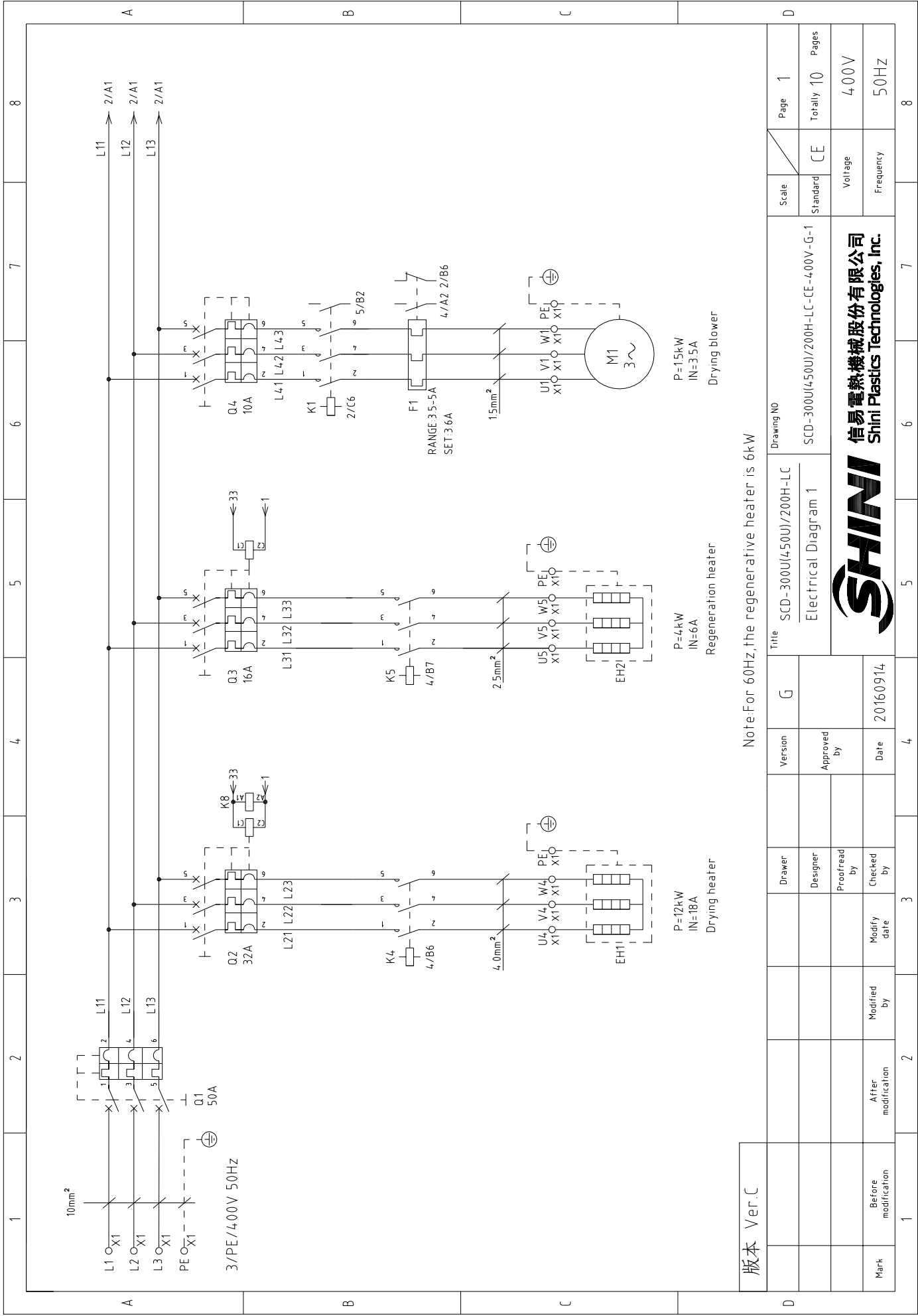
信易電熱機械股份有限公司
Shini Plastics Technologies, Inc.

Mark	Before modification	Alter modification	Modified by	Modified date	Checked by	Date
						20181009

1 2 3 4 5 6 7 8

1		2		3		4		5		6		7		8	
No.	Symbol	Name	Manufacturer	Type	Specification	Number	Material number	Remark							
51	EH1	Heater	SHINI	-----	400V 6kW	1	-----	(1)							
52	EH2	Heater	SHINI	-----	400V 3kW	1	-----	60Hz机型为4kw (1)							
53		Super five classes network wire jumper	----	-----	2M	1	YE90000201600								
54		Terminal fixed fittings	HONEYWELL	-----	-----	5	YE600000003900								
									A						
									B						
									C						

160U/120H整机版本 Ver.E		230U/120H整机版本 Ver.D		Notes: (1)Means it's not the material inside the control box. (2)Stands for optional.											
		Title		Version		H		Scale		Page					
		SCD-160U(230U)/120H-LC						Standard		CE		10		10	
		Electrical Components List 3		Approved by				Standard		Voltage		Totally		Pages	
		SCD-160U(230U)/120H-LC-CE-400V-H-10		Date		20181009		Frequency		400V		50HZ			
Mark		Before modification		Modified by		Modify date		Checked by		SHINI		信易电热机械股份有限公司 Shini Plastics Technologies, Inc.			
1		2		3		4		5		6		7		8	

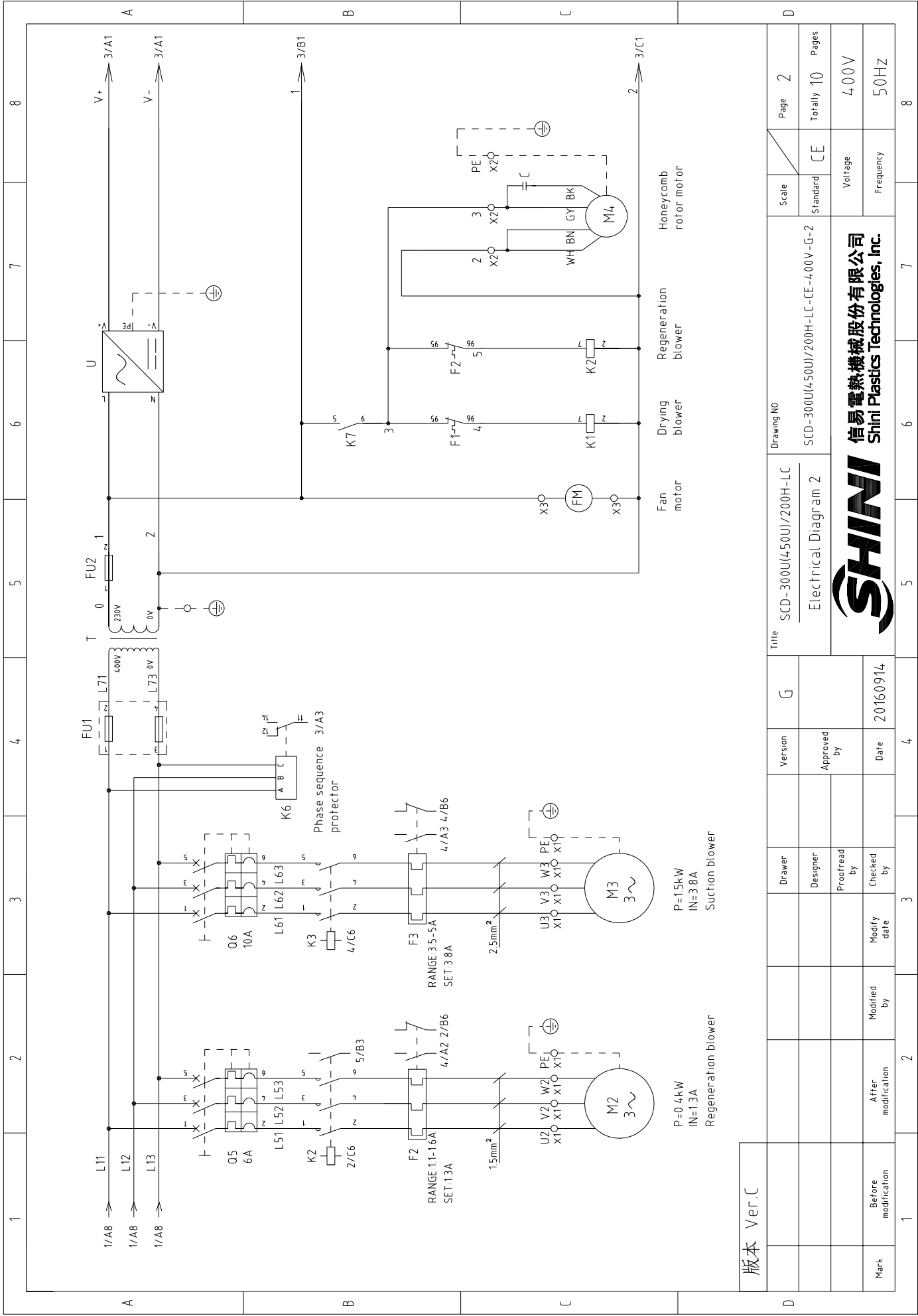


版本 Ver.C

Note: For 60Hz, the regenerative heater is 6kW

Mark	Before modification	Modified by	Modified date	Checked by	Proofread by	Designer	Drawer	Version	G	Title	SCD-300U(450U)/200H-LC			Scale	Page	Page 1	
	After modification								Approved by		Electrical Diagram 1						Standard
										SCD-300U(450U)/200H-LC-CE-400V-G-1			Standard	CE	Voltage		400V
													Standard	CE	Frequency		50HZ

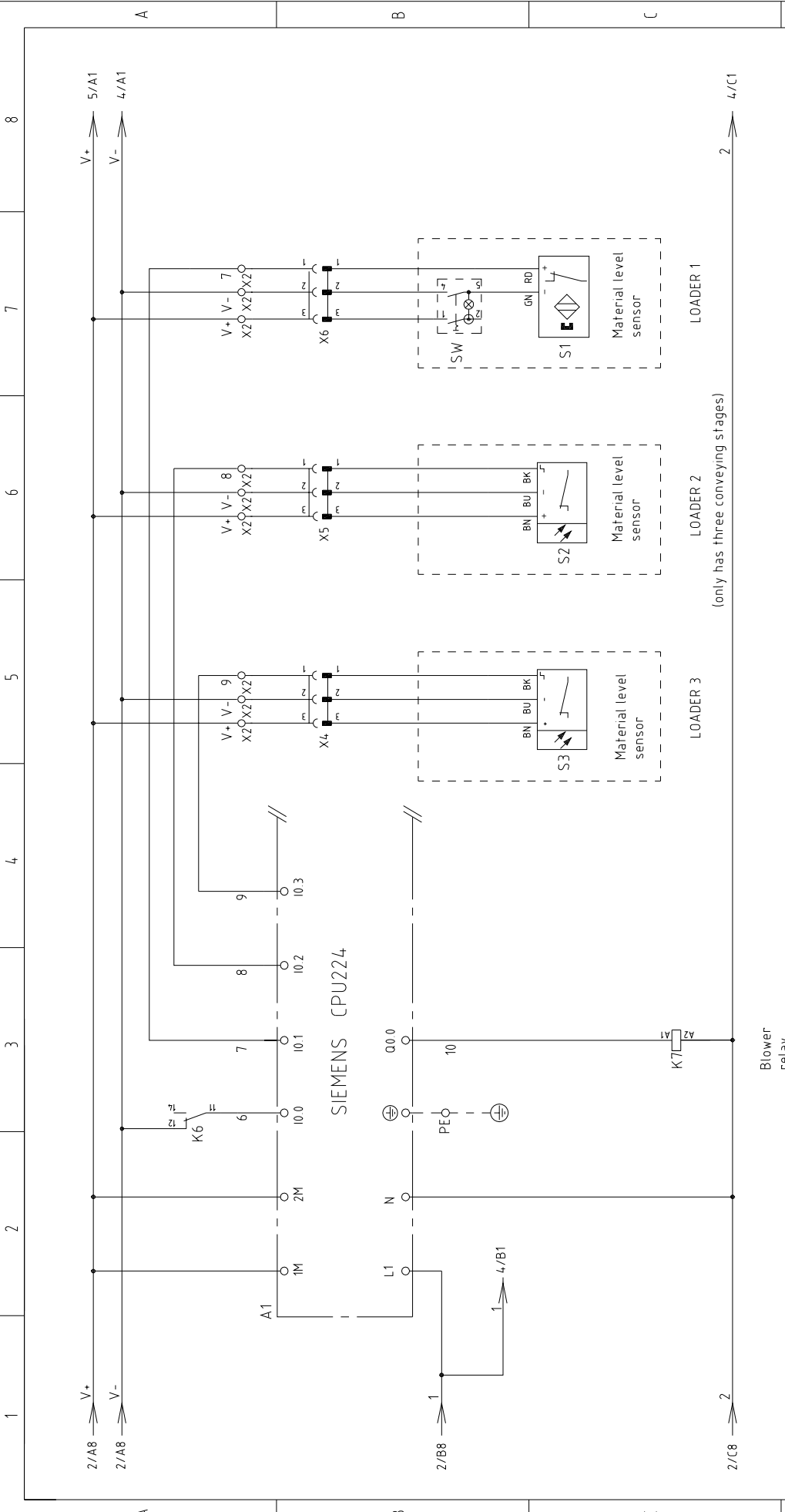




版本 Ver.C

D		Title		Version		G		Drawing NO.		Scale	
		SCD-300U(450U)/200H-LC						SCD-300U(450U)/200H-LC-CE-400V-G-2		Standard	
		Electrical Diagram 2		Approved by				CE		Voltage	
				Date		20160914		400V		Frequency	
				Modify date				50HZ		Page	
				Modified by				Totally 10		Pages	
				Before modification				8		8	





Version	G	Title	
Approved by		SCD-300U(450U)/200H-LC	Drawing NO.
Date	20160914	Electrical Diagram 3	SCD-300U(450U)/200H-LC-CE-400V-G-3
Modified by		Scale	
Alter modification		CE	Page 3
Mark	Before modification	Standard	Totally 10 Pages
		Voltage	400V
		Frequency	50HZ

SHINI
信易電熱機械股份有限公司
Shini Plastics Technologies, Inc.

Blower relay

(only has three conveying stages)

LOADER 3 LOADER 2 LOADER 1

Material level sensor

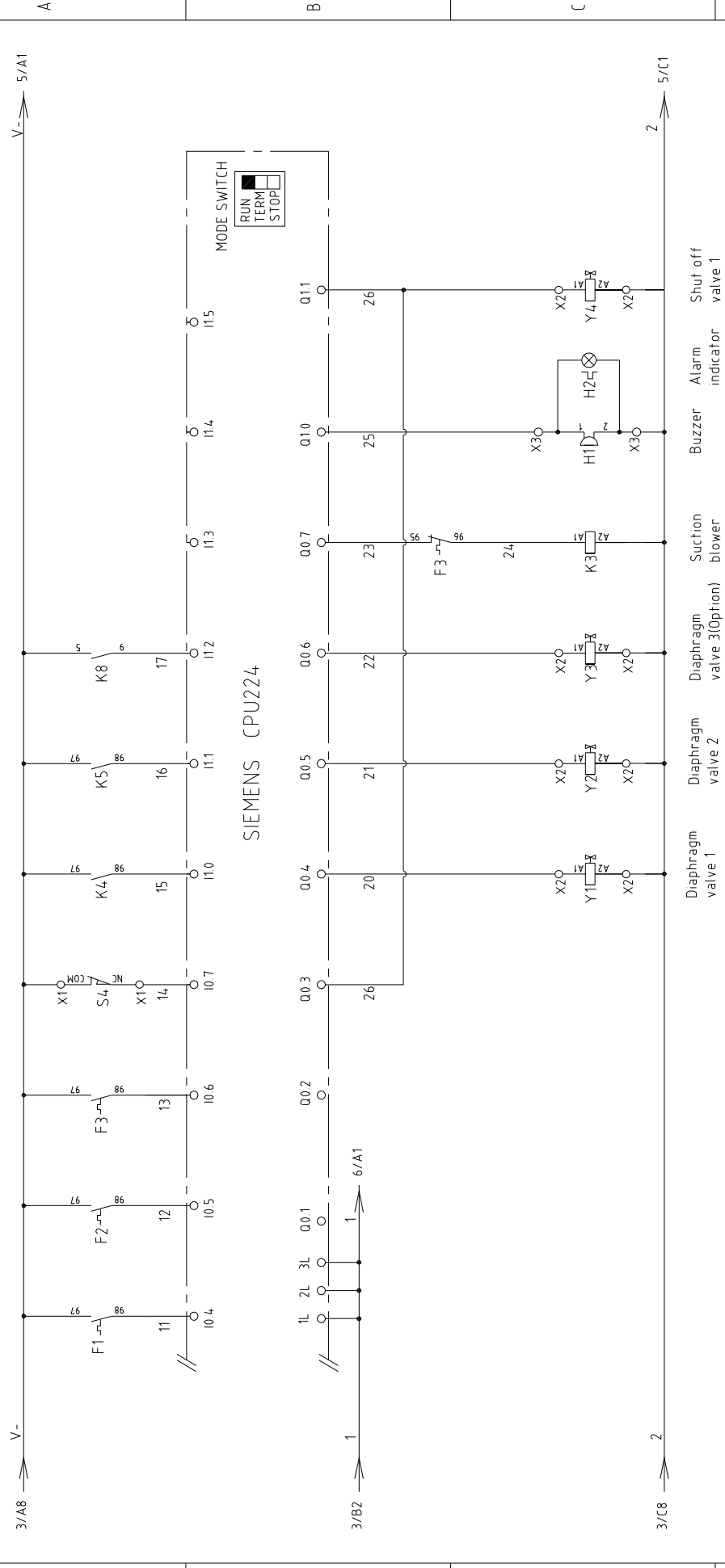
Material level sensor

Material level sensor

2/A8 V+ 2/A8 V- 5/A1 V+ 4/A1 V- 2/C8 2

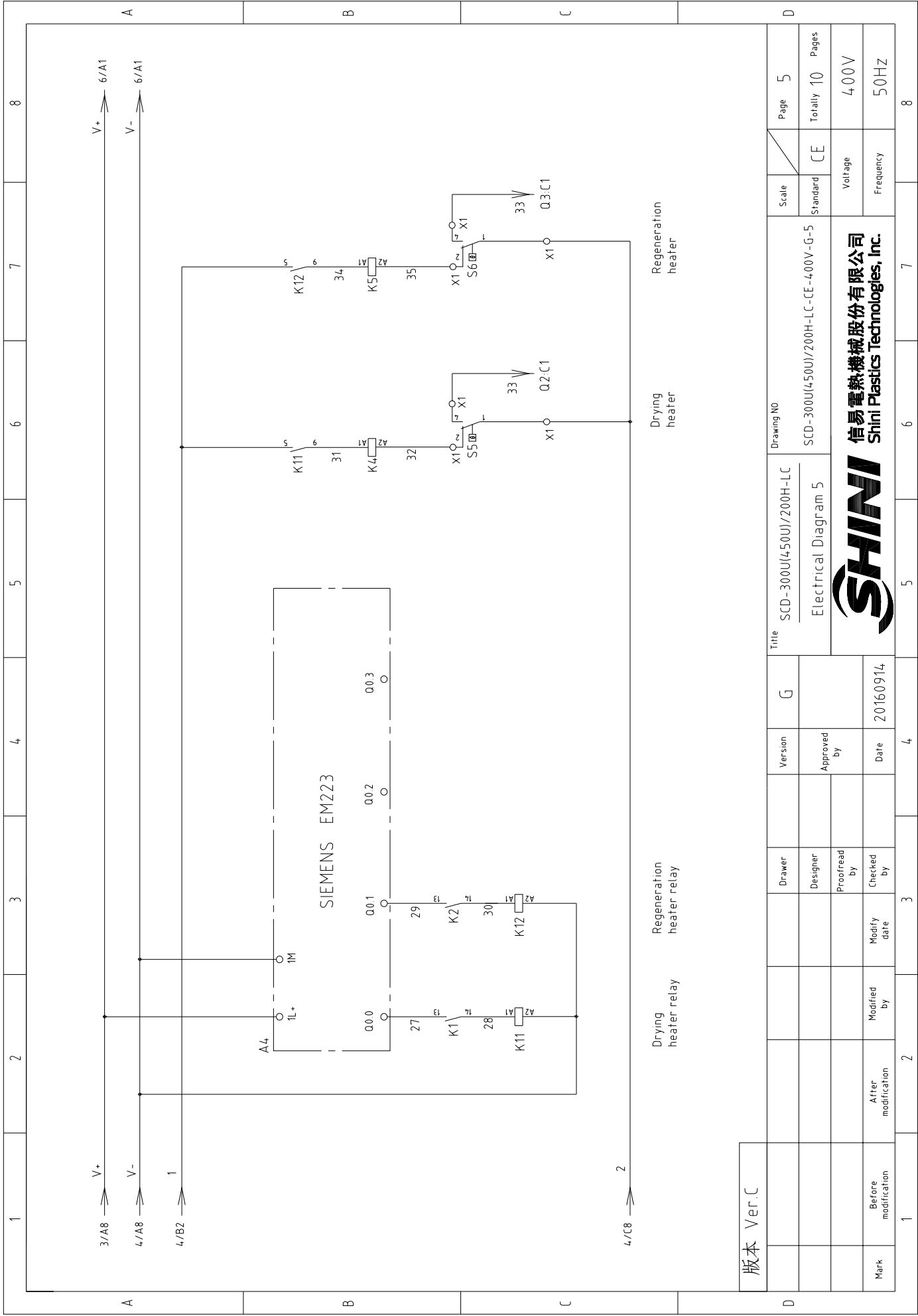
1 2 3 4 5 6 7 8

版本 Ver.C



版本 Ver.C			G		Title		Drawing NO.	
Mark	Alter modification	Modified by	Modified date	Checked by	Date	SCD-3000(450U)/200H-LC		Standard
					20160914	Electrical Diagram 4		Standard
Before modification						SCD-3000(450U)/200H-LC-CE-400V-G-4		Standard
								Scale
								Standard
								Page
								4
								Totally
								10
								Pages
								400V
								50HZ
1	2	3	4	5	6	7	8	





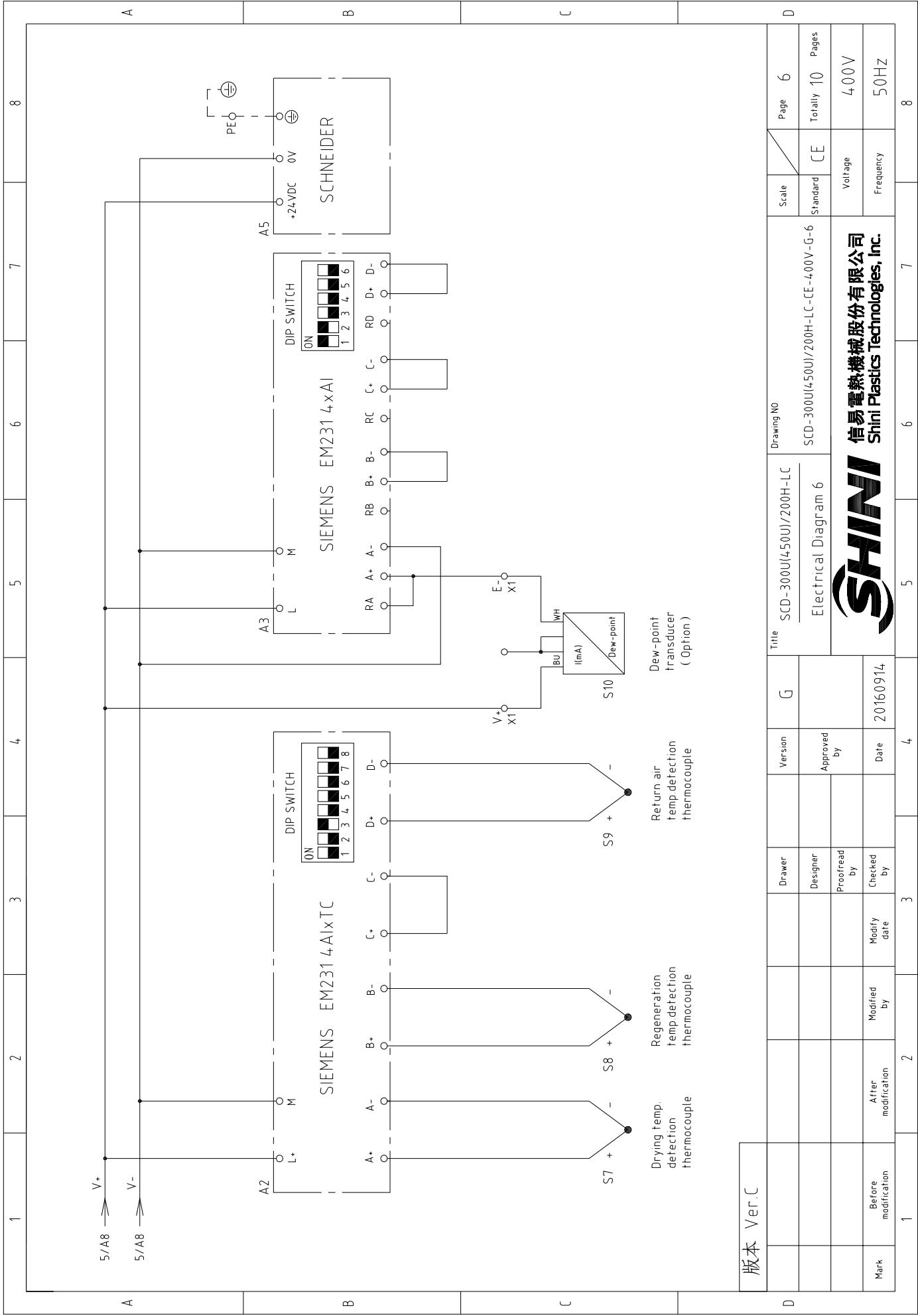
Mark	Before modification	Alter modification	Modified by	2	1
			Checked by	3	
			Proofread by		
			Designer		
			Drawer		
			Version	G	
			Title SCD-300U(450U)/200H-LC		

Drawing NO.			Scale	Page	5
SCD-300U(450U)/200H-LC-CE-4.00V-G-5			Standard	Totally	10
CE			Standard	Pages	
Voltage			400V		
Frequency			50HZ		

Electrical Diagram 5

信易電熱機械股份有限公司
Shini Plastics Technologies, Inc.

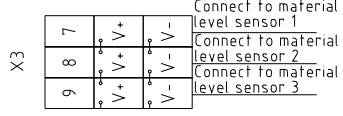
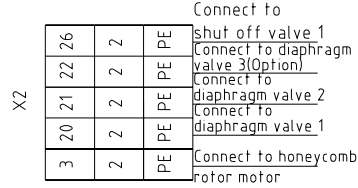
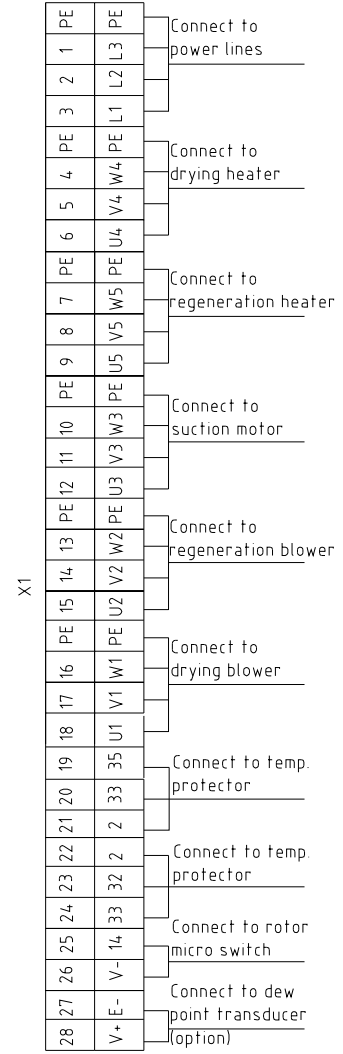
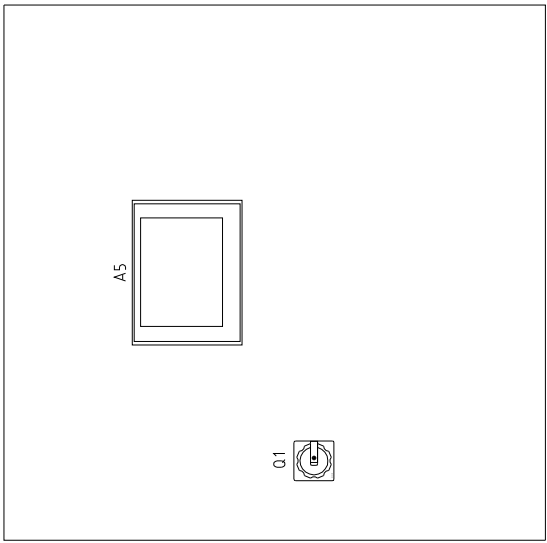
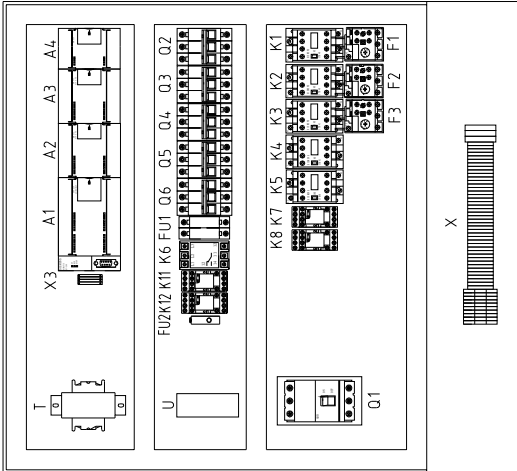
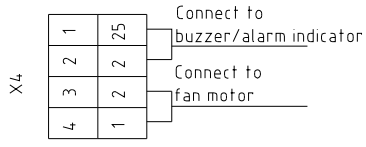
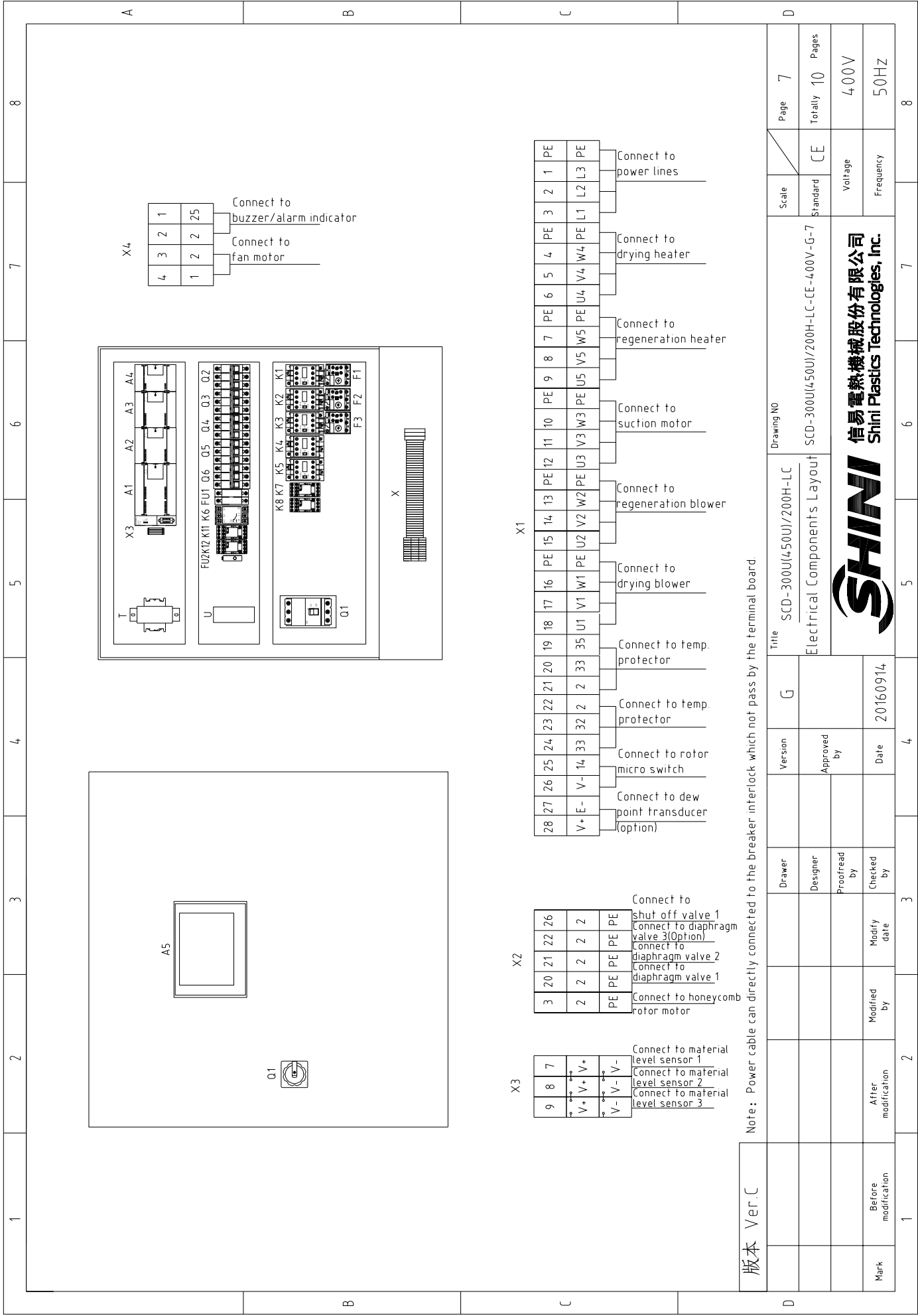
20160914	4
Date	4



版本 Ver.C

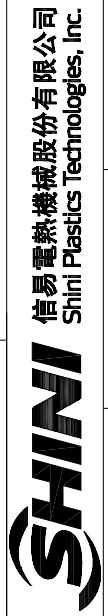
D	Mark	Before modification	Alter modification	Modified by	Modify date	Checked by	Date	20160914	G	Title	SCD-300U(450U)/200H-LC		Drawing NO.	SCD-300U(450U)/200H-LC-CE-400V-G-6		Scale	Standard		Page	6			
														Electrical Diagram 6				CE			Totally 10		
															Voltage		400V				Pages		
															Frequency		50HZ				8		





Note: Power cable can directly connected to the breaker interlock which not pass by the terminal board

版本 Ver.C	Title SCD-300U(450U)/200H-LC		Drawing NO. SCD-300U(450U)/200H-LC-CE-400V-G-7		Scale Standard	Page 7
	Electrical Components Layout				Standard	Totally 10 Pages
Mark	Before modification	Modified by	Date	20160914	Voltage	400V
		Modified date			Frequency	50HZ
1		3	4	5	6	7
						8



1	2		3	4	5	6	7	8
NO	Symbol	Name	Manufacturer	Type	Specification	Number	Material number	Remark
1	Q1	Main switch	ABB	A1A125TMF50	50A	1	YE41105200000	
2	Q2	Circuit-breaker	TECO	BM-63C 3P	32A	1	YE40303203000	
3	Q3	Circuit-breaker	TECO	BM-63C 3P	16A	1	YE40301603000	
4		Excitation release	CHINT	MX	220V 50/60Hz	2	YE40023560000	
5	Q4 Q6	Circuit-breaker	CHINT	BM-63C 3P	10A	2	YE40301003000	
6	Q5	Circuit-breaker	CHINT	BM-63C 3P	6A	1	YE40300603000	
7	K1	Contact	SIEMENS	3RT6016-1AN21	220V 50/60Hz	1	YE00601621000	
8	K2	Contact	SIEMENS	3RT6016-1AN21	220V 50/60Hz	1	YE00601621000	
9	K3	Contact	SIEMENS	3RT6016-1AN21	220V 50/60Hz	1	YE00601621000	
10	K4	Contact	SIEMENS	3RT6027-1AN20	220V 50/60Hz	1	YE00602722000	
11	K5	Contact	SIEMENS	3RT6018-1AN21	220V 50/60Hz	1	YE00601821000	
12	K6	Phase relay	CHAOSHI	ABJ-10W	4.00V 50/60Hz	1	YE03103800000	
13	K7 K8	Middle relay	WEIDMULLER	DRM270730LT	220V 50/60Hz	2	YE03270700000	
14	K11 K12	Middle relay	WEIDMULLER	DRM270724LT	24V DC	2	YE032724-00000	
15	F1	Thermo overload relay	SIEMENS	3RU6116-1FB0	3.5-5A	1	YE01160350000	
16	F2	Thermo overload relay	SIEMENS	3RU6116-1AB0	11-16A	1	YE01160110000	
17	F3	Thermo overload relay	SIEMENS	3RU6116-1FB0	3.5-5A	1	YE01160350000	
18	A1	PLC	SIEMENS	CPU224 AC/DC/RLY	100-230VAC 50/60Hz	1	YE810224.00100	
19	A2	PLC Expansion module	SIEMENS	EM231 4xTC	--	1	YE82023100100	
20	A3	PLC Expansion module	SIEMENS	EM231 4xAI	--	1	YE82023100000	(2)
21	A4	PLC Expansion module	SIEMENS	EM223	4-in 24VDC,4-out 24VDC,transistor-out	1	YE82022300200	
22	A5	Human-machine interface	SCHNEIDER	GXU3512	24VDC	1	YE80351200200	
23	FU1	Fuse base	CHINT	RT18-32	2P	1	YE41032200000	
24		Fuse	CHINT	10x38 500V	2A	2	YE46002000100	
25	FU2	Fuse	YINDA	FS-10	2A	1	YE41001000000	
版本 Ver.C Notes: (1)Means it's not the material inside the control box. (2)Stands for optional.								
				Title SCD-3000U(450U)/200H-LC		Drawing NO. SCD-3000U(450U)/200H-LC-CE-4-00V-G-8		Page 8
				Electrical Components List 1		Standard CE		Totally 10 Pages
								Voltage 400V
								Frequency 50Hz
								8



信易電熱機械股份有限公司
Shini Plastics Technologies, Inc.

20160914

Date

Checked by

Modified by

Modify date

Approved by

Designer

Drawer

Version

G

Electrical Components List 1

SCD-3000U(450U)/200H-LC

Drawing NO.

Standard

CE

Totally 10

Pages

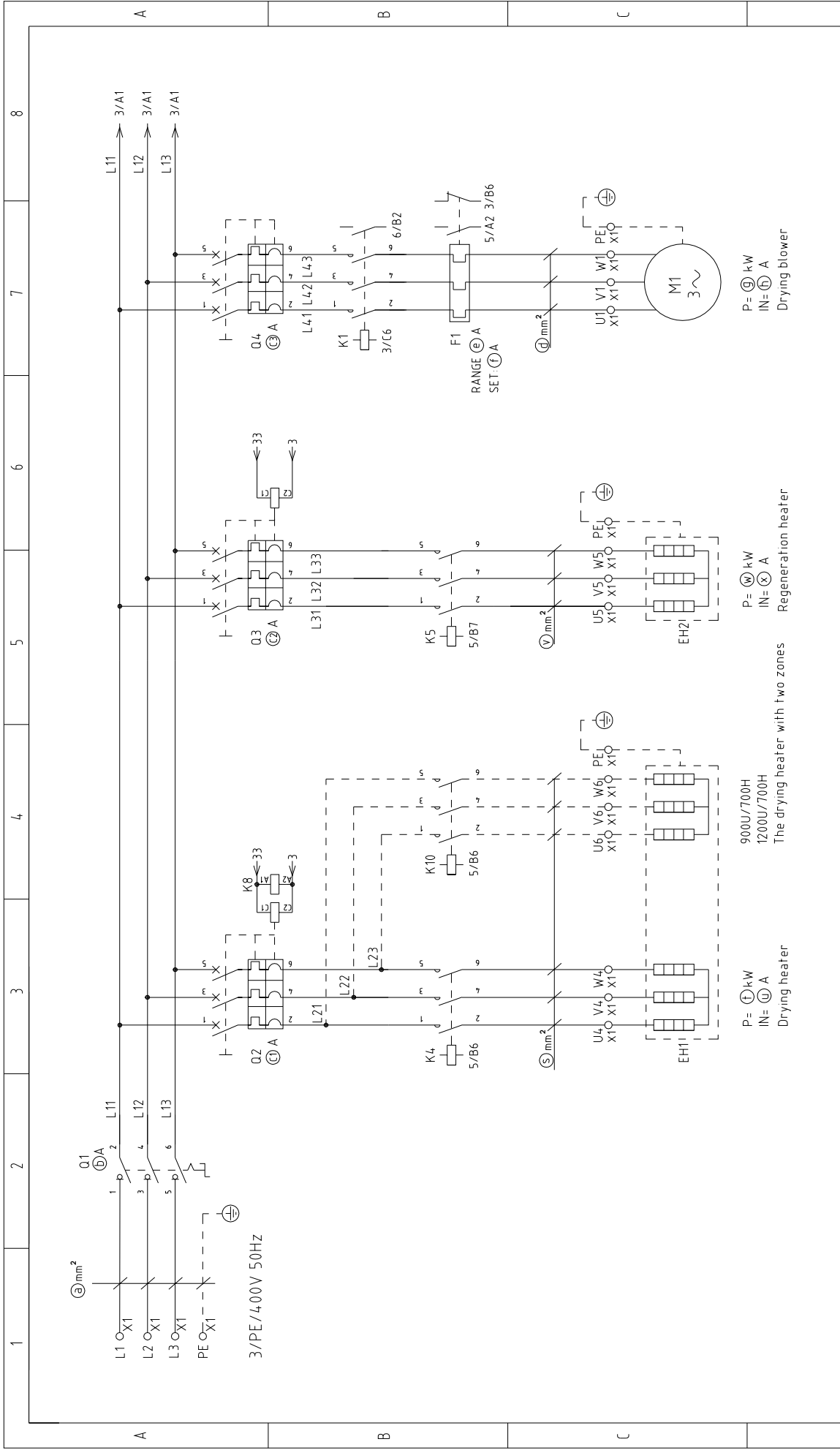
400V

50Hz

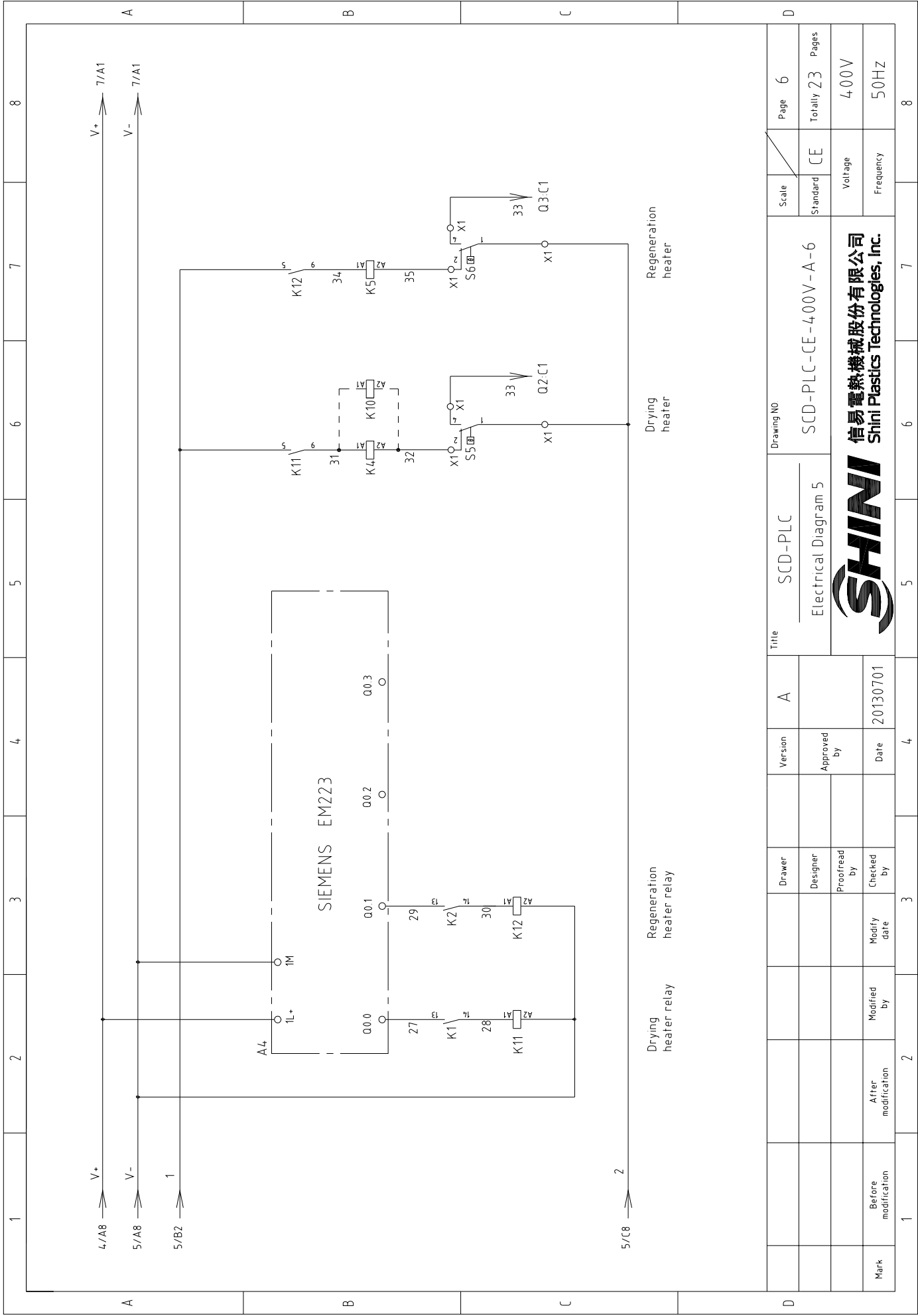
8

1		2		3		4		5		6		7		8	
NO	Symbol	Name	Manufacturer	Type	Specification	Number	Material number	Remark							
26	T	Transformer	--	--	IN=400V OUT=230V 500mA	1	YE704.02300800								
27	U	DC power	MEAN WELL	NES-35-24	OUT=DC24V 15A	1	YE713524.00100								
28	S1	Reed switch	FOTEK	FC-12V	24VDC	1	-----	(1)							
29	S2 S3	Photoelectric switch	FOTEK	T18-3MNB-PE	24VDC	2	YE1514.3900000	(1)							
30	S4	Micro switch	TEND	LXW5-11G1	250V 5(4)A	1	YE14.1524.00000	(1)							
31	S5	Temperature protector	----	-----	250V 5(4)A	1	-----	(1)							
32	S6	Temperature protector	----	-----	250V 5(4)A	1	-----	(1)							
33	S7 S8 S9	Thermocouple	SHINI	ST-K	K	3	-----	(1)							
34	S10	Dew-point transducer	CS	CS 217-OEM	POWER=24VDC OUT=4-20mA	1	YE90021700100	(2)							
35	Y1-Y5	Solenoid valve	--	MSFW-230-50/60	220V 50/60Hz	5	-----	(1)							
36	H1	Buzzer	HITPOINT	PF-35A	60-250V	1	YE84.003500200	(1)							
37	H2	Alarm indicator	SHINI	LED-3051	220V 50/60Hz	1	YE83305100200	(1)							
38	X1	Terminal board	--	10mm ²	4.1A 690V	3	YE60001003200								
39				10mm ² PE	-	1	YE60001003500								
40				4mm ²	4.1A 690V	15	YE600004.03200								
41				4mm ² PE	-	5	YE600004.03500								
42				2.5mm ²	32A 690V	8	YE60002503200								
43				2.5mm ²	32A 690V	2	YE60002503200	(2)							
44	X2			2.5mm ²	32A 690V	10	YE60002503200								
45	X4			2.5mm ²	32A 690V	4	YE60002503200								
46	X3	Terminal board	----	ZDIK 1.5	10A 250V	4	YE60001500000								
47				FBSTB 10-ZDIK RD	10A 250V	4	YE60001000200								
48				FBSTB 10-ZDIK BU	10A 250V	4	YE60001000000								
49	X5 X6 X7	Heavy duty connector	WEIN	HDC-HA-004.1	4P 10A	3	YE6804.1000100	(1)							
50	FM	Fan	SUNON	DP-200A	230VAC 40W	1	YM601212004.00	(1)							
版本 Ver.C		Notes: (1)Means it's not the material inside the control box. (2)Stands for optional.													
		Title		Drawing NO.		Scale		Page		9		10		8	
		SCD-3000(4500J)/200H-LC		SCD-3000(4500J)/200H-LC-CE-4.00V-G-9		Standard		CE		Voltage		400V		Frequency	
		Electrical Components List 2													
Mark		Alter modification		Modified by		Modify date		Checked by		Date		20160914		SHINI 信易電熱機械股份有限公司 Shini Plastics Technologies, Inc.	
1		2		3		4		5		6		7		8	

1	2	3	4	5	6	7	8																																																																																																																																																							
<p> (a) Main power wire dia. (e) Drying blower overload relay (i) Regenerative blower wire dia (m) Regenerative blower current (b) The rated current of main power switch (f) Default drying blower overload relay (j) Regenerative blower overload relay (n) Suction blower wire dia. (c) The rated current of drying heater breaker (g) Drying blower power (k) Default regenerative blower overload relay (o) Suction blower overload relay (d) The rated current of regenerative heater breaker (h) Drying blower current (l) Regenerative blower power (p) Default suction blower overload relay (A) Suction blower power (S) Drying heater wire dia. (T) Drying heater current (U) Drying heater current (V) Regenerative heater wire dia. (W) Regenerative heater current (X) Regenerative heater current </p>																																																																																																																																																														
<table border="1"> <thead> <tr> <th>Mode</th> <th>Symbol</th> <th>Ver.</th> <th>(a)</th> <th>(b)</th> <th>(c)</th> <th>(d)</th> <th>(e)</th> <th>(f)</th> <th>(g)</th> <th>(h)</th> <th>(i)</th> <th>(j)</th> <th>(k)</th> <th>(l)</th> <th>(m)</th> <th>(n)</th> <th>(o)</th> <th>(p)</th> <th>(q)</th> <th>(r)</th> <th>(s)</th> <th>(t)</th> <th>(u)</th> <th>(v)</th> <th>(w)</th> <th>(x)</th> </tr> </thead> <tbody> <tr> <td>SCD-600U/400H</td> <td></td> <td>Ver B</td> <td>16.0</td> <td>90</td> <td>40</td> <td>16</td> <td>20</td> <td>6</td> <td>10</td> <td>2.5</td> <td>7-10</td> <td>8.0</td> <td>3.75</td> <td>7.5</td> <td>1.5</td> <td>2.2-3.2</td> <td>2.5</td> <td>0.75</td> <td>2.3</td> <td>2.5</td> <td>3.5-5</td> <td>3.8</td> <td>1.5</td> <td>3.1</td> <td>6.0</td> <td>18.0</td> <td>27.0</td> <td>2.5</td> <td>7.2</td> <td>10.8</td> </tr> <tr> <td>SCD-750U/400H</td> <td></td> <td>Ver B</td> <td>16.0</td> <td>90</td> <td>40</td> <td>16</td> <td>20</td> <td>6</td> <td>10</td> <td>2.5</td> <td>7-10</td> <td>8.0</td> <td>3.75</td> <td>7.5</td> <td>1.5</td> <td>2.2-3.2</td> <td>2.5</td> <td>0.75</td> <td>2.3</td> <td>2.5</td> <td>3.5-5</td> <td>3.8</td> <td>1.5</td> <td>3.1</td> <td>6.0</td> <td>18.0</td> <td>27.0</td> <td>2.5</td> <td>7.2</td> <td>10.8</td> </tr> <tr> <td>SCD-900U/700H</td> <td></td> <td>Ver E</td> <td>25.0</td> <td>100</td> <td>50</td> <td>20</td> <td>50</td> <td>10</td> <td>25</td> <td>4.0</td> <td>11-16</td> <td>15.0</td> <td>5.5</td> <td>14.6</td> <td>1.5</td> <td>3.5-5</td> <td>3.8</td> <td>1.5</td> <td>3.5</td> <td>2.5</td> <td>7-10</td> <td>7.4</td> <td>3.75</td> <td>7.4</td> <td>4.0</td> <td>12x2</td> <td>18x2</td> <td>4.0</td> <td>10.0</td> <td>15.0</td> </tr> <tr> <td>SCD-1200U/700H</td> <td></td> <td>Ver E</td> <td>25.0</td> <td>100</td> <td>50</td> <td>20</td> <td>50</td> <td>10</td> <td>25</td> <td>4.0</td> <td>11-16</td> <td>15.0</td> <td>5.5</td> <td>14.6</td> <td>1.5</td> <td>3.5-5</td> <td>3.8</td> <td>1.5</td> <td>3.5</td> <td>2.5</td> <td>7-10</td> <td>7.4</td> <td>3.75</td> <td>7.4</td> <td>4.0</td> <td>12x2</td> <td>18x2</td> <td>4.0</td> <td>10.0</td> <td>15.0</td> </tr> </tbody> </table>								Mode	Symbol	Ver.	(a)	(b)	(c)	(d)	(e)	(f)	(g)	(h)	(i)	(j)	(k)	(l)	(m)	(n)	(o)	(p)	(q)	(r)	(s)	(t)	(u)	(v)	(w)	(x)	SCD-600U/400H		Ver B	16.0	90	40	16	20	6	10	2.5	7-10	8.0	3.75	7.5	1.5	2.2-3.2	2.5	0.75	2.3	2.5	3.5-5	3.8	1.5	3.1	6.0	18.0	27.0	2.5	7.2	10.8	SCD-750U/400H		Ver B	16.0	90	40	16	20	6	10	2.5	7-10	8.0	3.75	7.5	1.5	2.2-3.2	2.5	0.75	2.3	2.5	3.5-5	3.8	1.5	3.1	6.0	18.0	27.0	2.5	7.2	10.8	SCD-900U/700H		Ver E	25.0	100	50	20	50	10	25	4.0	11-16	15.0	5.5	14.6	1.5	3.5-5	3.8	1.5	3.5	2.5	7-10	7.4	3.75	7.4	4.0	12x2	18x2	4.0	10.0	15.0	SCD-1200U/700H		Ver E	25.0	100	50	20	50	10	25	4.0	11-16	15.0	5.5	14.6	1.5	3.5-5	3.8	1.5	3.5	2.5	7-10	7.4	3.75	7.4	4.0	12x2	18x2	4.0	10.0	15.0
Mode	Symbol	Ver.	(a)	(b)	(c)	(d)	(e)	(f)	(g)	(h)	(i)	(j)	(k)	(l)	(m)	(n)	(o)	(p)	(q)	(r)	(s)	(t)	(u)	(v)	(w)	(x)																																																																																																																																				
SCD-600U/400H		Ver B	16.0	90	40	16	20	6	10	2.5	7-10	8.0	3.75	7.5	1.5	2.2-3.2	2.5	0.75	2.3	2.5	3.5-5	3.8	1.5	3.1	6.0	18.0	27.0	2.5	7.2	10.8																																																																																																																																
SCD-750U/400H		Ver B	16.0	90	40	16	20	6	10	2.5	7-10	8.0	3.75	7.5	1.5	2.2-3.2	2.5	0.75	2.3	2.5	3.5-5	3.8	1.5	3.1	6.0	18.0	27.0	2.5	7.2	10.8																																																																																																																																
SCD-900U/700H		Ver E	25.0	100	50	20	50	10	25	4.0	11-16	15.0	5.5	14.6	1.5	3.5-5	3.8	1.5	3.5	2.5	7-10	7.4	3.75	7.4	4.0	12x2	18x2	4.0	10.0	15.0																																																																																																																																
SCD-1200U/700H		Ver E	25.0	100	50	20	50	10	25	4.0	11-16	15.0	5.5	14.6	1.5	3.5-5	3.8	1.5	3.5	2.5	7-10	7.4	3.75	7.4	4.0	12x2	18x2	4.0	10.0	15.0																																																																																																																																
<p> (A) Title SCD-PLC (B) Drawing NO. SCD-PLC-CE-400V-B-1 (C) Scale Standard (D) Page 1 (E) Parameter List of Circuit Diagram (F) Standard CE (G) Voltage 400V (H) Date 20151022 (I) Frequency 50Hz </p>																																																																																																																																																														
<p> SHINI 信易電熱機械股份有限公司 Shini Plastics Technologies, Inc. </p>																																																																																																																																																														

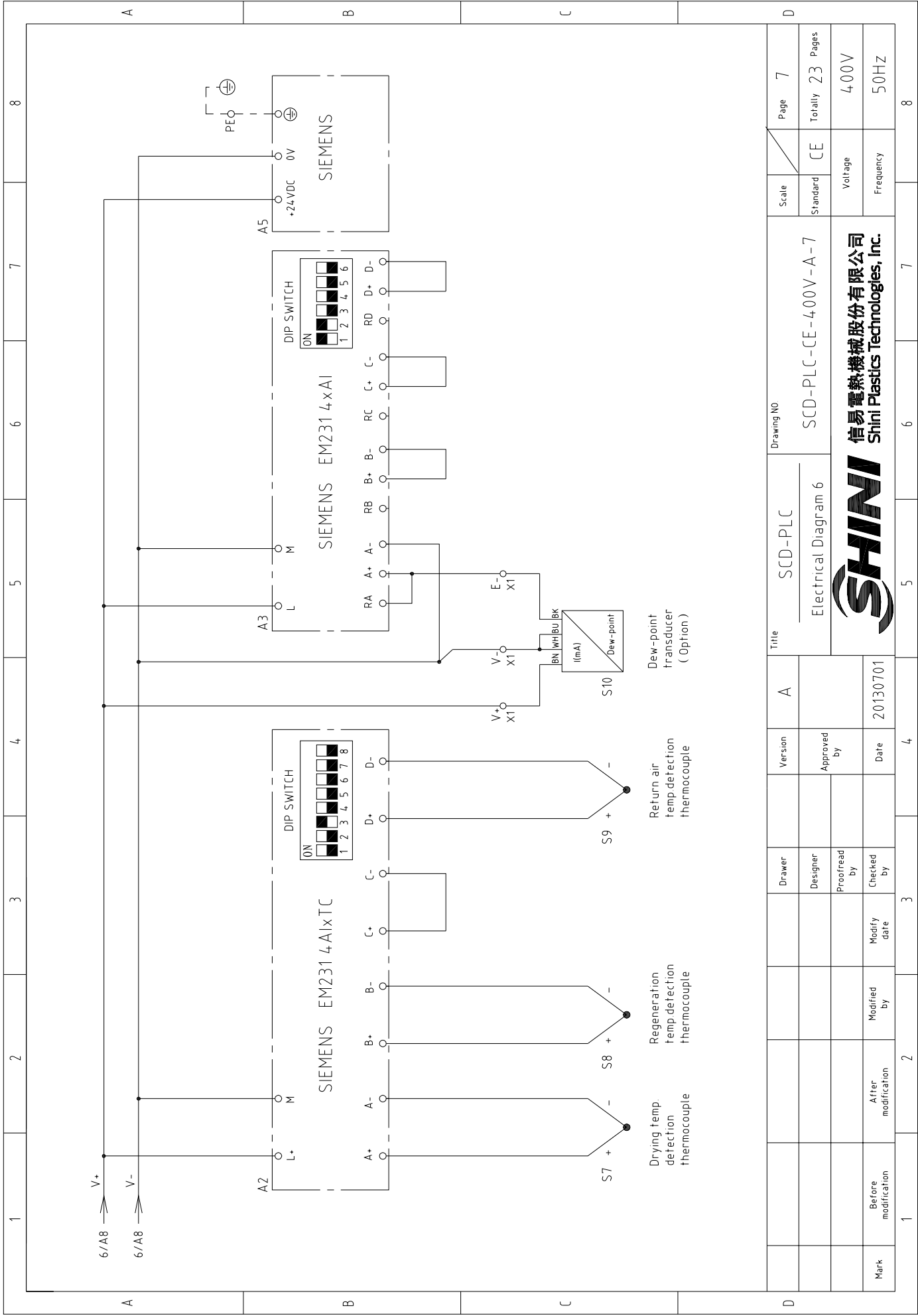


1	2	3	4	5	6	7	8
Mark	Before modification	Modified by	Modified date	Checked by	Date	Approved by	Version
					20130701		A
Title				SCD-PLC		Drawing NO.	
Electrical Diagram 1				SCD-PLC-CE-400V-A-2			
Scale				CE		Page 2	
Standard				Voltage		Totally 23 Pages	
Frequency				400V		50HZ	
SHINI				信易電熱機械股份有限公司 Shini Plastics Technologies, Inc.			
1	2	3	4	5	6	7	8

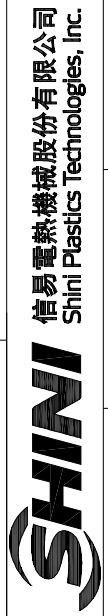


1	2	3	4	5	6	7	8
Title				Drawing NO.			
SCD-PLC				SCD-PLC-CE-400V-A-6			
Electrical Diagram 5				CE			
Version				Standard			
A				Voltage			
Approved by				Frequency			
Date				400V			
20130701				50HZ			
Date				Page			
20130701				6			
Date				Totally			
20130701				23			
Date				Pages			
20130701				400V			
Date				50HZ			
20130701				8			





1	2	3	4	5	6	7	8
Title		Version		Drawing NO.		Page	
SCD-PLC		A		SCD-PLC-CE-400V-A-7		7	
Electrical Diagram 6		Approved by		Standard		Totally	
				CE		23	
Mark		Modified by		Voltage		Pages	
Before modification		Modified by		400V		400V	
Alter modification		Modify date		Frequency		50HZ	
20130701				Frequency		50HZ	
				Voltage		400V	
				Frequency		50HZ	
				Voltage		400V	
				Frequency		50HZ	



1		2		3		4		5		6		7		8			
NO	Symbol	Name	Manufacturer	Type	Specification	Number	Material number	Remark	A		B		C		D		
									Before modification	Alter modification	Modified by	Modified date	Checked by	Modify date	Proofread by	Designer	Version
26	T	Transformer	--	--	IN=400V OUT=230V 800mA	1	YE704.02300900										
27	U	DC power	MEAN WELL	NES-35-24	OUT=DC24V 15A	1	YE713524.00100										
28	S1	Reed switch	FOTEK	FC-12V	24VDC	1	-----	(1)									
29	S2 S3	Photoelectric switch	FOTEK	T18-3MNB-PE	24VDC	2	YE1514.3900000	(1)									
30	S4	Micro switch	TEND	LXW5-11G1	250V 5(4)A	1	YE14.1524.00000	(1)									
31	S5	Temperature protector	----	-----	250V 5(4)A	1	-----	(1)									
32	S6	Temperature protector	----	-----	250V 5(4)A	1	-----	(1)									
33	S7 S8 S9	Thermocouple	SHINI	ST-K	K	3	-----	(1)									
34	S10	Dew-point Transducer	CS	CS 217-OEM	POWER=24VDC OUT=4-20mA	1	YE90021700100	(2)									
35	Y1-Y5	Solenoid valve	--	MSFW-230-50/60	220V 50/60Hz	5	-----	(1)									
36	H1	Buzzer	HITPOINT	PF-35A	60-250V	1	YE84.003500200	(1)									
37	H2	Alarm indicator	SHINI	LED-3051	220V 50/60Hz	1	YE83305100200	(1)									
38	X1 X3	Terminal board	--	10mm ² PE	-	1	YE61103500000										
39				6mm ²	57A 690V	3	YE61060000000										
40				6mm ² PE	-	1	YE61063500000										
41				4mm ²	41A 690V	12	YE6104.0000000										
42				4mm ² PE	-	4	YE6104.3500000										
43				2.5mm ²	32A 690V	15	YE6125004.00000										
44				2.5mm ² PE	-	1	YE61253500000										
45	X2	Terminal board	----	ZDIK 15	10A 250V	9	YE60001500000										
46				FBSTB 10-ZDIK RD	10A 250V	9	YE60001000200										
47				FBSTB 10-ZDIK BU	10A 250V	9	YE60001000000										
48	X4 X5 X6	Heavy duty connector	WEIN	HDC-HA-004.1	4P 10A	3	YE6804.1000100	(1)									
49	FM	Fan	SUNON	DP-200A	230VAC 40W	1	YM601212004.00	(1)									
50	M1	Blower	SHINI	-----	400V 3.75kW	1	-----	(1)									

Notes: (1)Means it's not the material inside the control box. (2)Stands for optional.

1		2		3		4		5		6		7		8	
Mark	Before modification	Alter modification	Modified by	Modified date	Checked by	Modify date	Proofread by	Designer	Version	Title	Drawing NO	Scale	Page	Totaly	Pages
Electrical Components List 2											Voltage		400V		
SHINI											Frequency		50HZ		
信易電熱機械股份有限公司 Shini Plastics Technologies, Inc.															

1	2		3	4	5	6	7	8
N0	Symbol	Name	Manufacturer	Type	Specification	Number	Material number	Remark
51	M2	Blower	SHINI	-----	400V 0.75kW	1	-----	(1)
52	M3	Blower	SHINI	-----	400V 1.5kW	1	-----	(1)
53	M4	Motor	----	-----	230V 0.015kW	1	-----	(1)
54	EH1	Pipe heater	SHINI	-----	400V 18kW	1	-----	(1)
55	EH2	Pipe heater	SHINI	-----	400V 7.2kW	1	-----	(1)
A								
B								
C								

Notes: (1)Means it's not the material inside the control box. (2)Stands for optional.

1	2		3	4	5	6	7	8
Title			Version		Drawing NO.		Scale	
SCD-600U(750U)/4.00H			A		SCD-PLC-CE-400V-A-20		Page 20	
Electrical Components List 3			Approved by		Standard		Totally 23 Pages	
SHINI			Date		Voltage		400V	
信易電熱機械股份有限公司 Shini Plastics Technologies, Inc.			20130701		Frequency		50HZ	
Mark	Before modification	Alter modification	Modified by	Modify date	Checked by	Proofread by	Designer	Drawer

1	2		3	4	5	6	7	8
NO.	Symbol	Name	Manufacturer	Type	Specification	Number	Material number	Remark
1	Q1	Main switch	ABB	A1A125TMF100	100A	1	YE4110200000	
2	Q2	Circuit-breaker	TECO	BM-63C 3P	50A	1	YE40305003000	
3	Q3	Circuit-breaker	TECO	BM-63C 3P	20A	1	YE40302003000	
4		Excitation release	CHINT	MX	220V 50/60Hz	2	YE40023560000	
5	Q4	Circuit-breaker	TECO	BM-63C 3P	50A	1	YE40305003000	
6	Q5	Circuit-breaker	TECO	BM-63C 3P	10A	1	YE40301003000	
7	Q6	Circuit-breaker	TECO	BM-63C 3P	25A	1	YE40302503000	
8	K1	Contact	SIEMENS	3RT6025-1AN20	220V 50/60Hz	1	YE00602522000	
9	K2 K3	Contact	SIEMENS	3RT6016-1AN21	220V 50/60Hz	2	YE00601521000	
10	K4 K10	Contact	SIEMENS	3RT6027-1AN20	220V 50/60Hz	2	YE00602722000	
11	K5	Contact	SIEMENS	3RT6026-1AN20	220V 50/60Hz	1	YE00602622000	
12	K6	Phase relay	CHAOSHI	ABJ-10W	4.00V 50/60Hz	1	YE03103800000	
13	K7 K8	Middle relay	WEIDMULLER	DRM270730LT	220V 50/60Hz	2	YE03270700000	
14	K11 K12	Middle relay	WEIDMULLER	DRM270724LT	24V DC	2	YE032724-00000	
15	F1	Thermo overload relay	SIEMENS	3RU6126-4AB0	11-16A	1	YE01260110000	
16	F2	Thermo overload relay	SIEMENS	3RU6116-1FB0	3.5-5A	1	YE01160350000	
17	F3	Thermo overload relay	SIEMENS	3RU6116-1GB0	7-10A	1	YE01167100000	
18	A1	PLC	SIEMENS	CPU224 AC/DC/RLY	100-230VAC 50/60Hz	1	YE810224.00100	
19	A2	PLC Expansion module	SIEMENS	EM231 4xTC	--	1	YE82023100100	
20	A3	PLC Expansion module	SIEMENS	EM231 4xAI	--	1	YE82023100000	(2)
21	A4	PLC Expansion module	SIEMENS	EM223	4-in 24VDC, 4-out 24VDC, transistor-out	1	YE82022300200	
22	A5	Human-machine interface	SCHNEIDER	GX03501	24VDC	1	YE80350100100	
23	FU1	Fuse base	CHINT	RT18-32	2P	1	YE41032200000	
24		Fuse	CHINT	10x38 500V	1A	2	YE46001000100	
25	FU2	Fuse	YINDA	FS-10	2A	1	YE41001000000	
Notes: (1)Means it's not the material inside the control box. (2)Stands for optional.								
				Drawing NO	SCD-PLC-CE-400V-B-21			
				Title	SCD-900U(1200U)/700H			
				Version	Electrical Components List 1			
				Designer				
				Approved by				
				Checked by				
				Date	20151022			
				Modified by				
				Modify date				
				Scale	CE			
				Standard				
				Voltage	400V			
				Frequency	50HZ			
				Page	21			
				Totally	23			
				Pages				
				Scale				
				Standard				
				Voltage	400V			
				Frequency	50HZ			
				Page	21			
				Totally	23			
				Pages				
				Scale				
				Standard				
				Voltage	400V			
				Frequency	50HZ			
				Page	21			
				Totally	23			
				Pages				



信易電熱機械股份有限公司
Shini Plastics Technologies, Inc.

1		2		3		4		5		6		7		8			
NO	Symbol	Name	Manufacturer	Type	Specification	Number	Material number	Remark	A		B		C		D		
									Before modification	After modification	Modified by	Modified date	Checked by	Modify date	Proofread by	Designer	Drawer
26	T	Transformer	--	--	IN=400V OUT=230V 800mA	1	YE704.02300900										
27	U	DC power	MEAN WELL	NES-35-24	OUT=DC24V 15A	1	YE713524.00100										
28	S1	Reed switch	FOTEK	FC-12V	24VDC	1	-----	(1)									
29	S2 S3	Photoelectric switch	FOTEK	T18-3MNB-PE	24VDC	2	YE1514.3900000	(1)									
30	S4	Micro switch	TEND	LXW5-11G1	250V 5(4)A	1	YE14.1524.00000	(1)									
31	S5	Temperature protector	----	-----	250V 5(4)A	1	-----	(1)									
32	S6	Temperature protector	----	-----	250V 5(4)A	1	-----	(1)									
33	S7 S8 S9	Thermocouple	SHINI	ST-K	K	3	-----	(1)									
34	S10	Dew-point Transducer	CS	CS 217-OEM	POWER=24VDC OUT=4-20mA	1	YE90021700100	(2)									
35	Y1-Y5	Solenoid valve	--	MSFW-230-50/60	220V 50/60Hz	5	-----	(1)									
36	H1	Buzzer	HITPOINT	PF-35A	60-250V	1	YE84.003500200	(1)									
37	H2	Alarm indicator	SHINI	LED-3051	220V 50/60Hz	1	YE83305100200	(1)									
38	X1 X3	Terminal board	--	16mm ² PE	-	1	YE61163500000										
39				6mm ²	57A 690V	9	YE61060000000										
40				6mm ² PE	-	2	YE61063500000										
41				4mm ²	41A 690V	9	YE6104.0000000										
42				4mm ² PE	-	3	YE6104.3500000										
43				2.5mm ²	32A 690V	15	YE6125004.00000										
44				2.5mm ² PE	-	1	YE61253500000										
45	X2	Terminal board	----	ZDIK 15	10A 250V	9	YE60001500000										
46				FBSTB 10-ZDIK RD	10A 250V	9	YE60001000200										
47				FBSTB 10-ZDIK BU	10A 250V	9	YE60001000000										
48	X4 X5 X6	Heavy duty connector	WEIN	HDC-HA-004.1	4P 10A	3	YE6804.1000100	(1)									
49	FM	Fan	SUNON	DP-200A	230VAC 40W	1	YM601212004.00	(1)									
50	M1	Blower	SHINI	-----	400V 7.5kW	1	-----	(1)									

Notes: (1)Means it's not the material inside the control box. (2)Stands for optional.

Title		SCD-900U(1200U)/700H		Drawing NO		SCD-PLC-CE-400V-B-22		Scale		Page 22			
Electrical Components List 2		Version		B		Standard		CE		Totaly 23 Pages			
SHINI		20150923		SHINI		Voltage		400V		Frequency		50HZ	
SHINI		SHINI		SHINI		SHINI		SHINI		SHINI		SHINI	



