

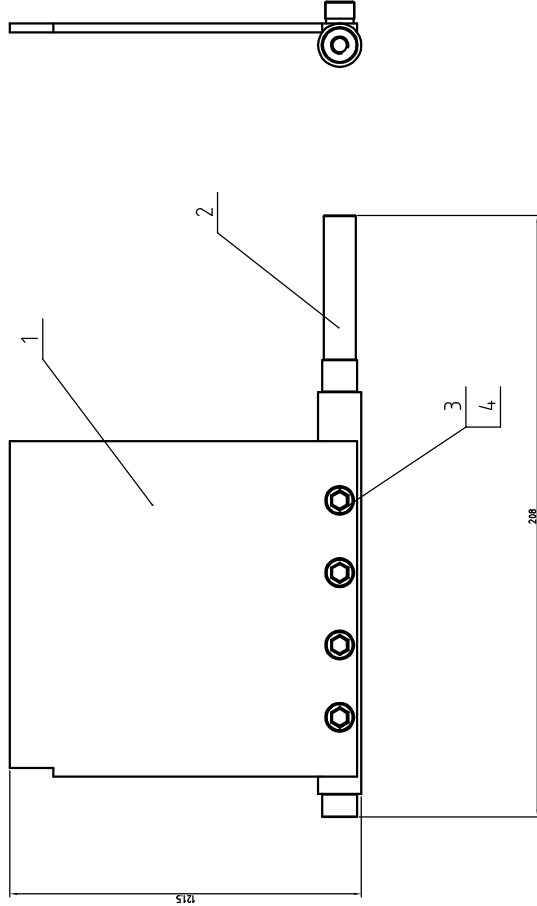
Tech. Req:
 1. Main performance parameters:
 a. Max. output is 600L/hr (test material bulk density is 0.8kg/L)
 b. Power: 1 ϕ , 230V, 50Hz
 c. Storage hopper effective capacity is 12L
 d. The min. diameter of tested metal is 0.5mm (Take carbon steel as test standard)
 e. The metal detecting coil hole diameter is 35mm;
 f. The deflection channel hole diameter is 28mm;
 g. The host unit weight is 50kg.

No.	Material number	Name	Quantity	Material	Remarks
44	-	Discharge pipe	1	SUS201 assembly	borrow optional
43	-	Floor stand welding drawing	1	SPH8.0	borrow optional
42	-	Base	1	SUS201	borrow
41	-	Discharge part	1	6061	borrow
40	BH13005000310	Bearing base cover B	2	Longrine	borrow
39	YW62052000000	Flat head screw M5x20	1	6061	borrow
38	BH13005000110	Bearing base B	1	SUS201 assembly	borrow
37	-	Lower assembly 4	1	6061	borrow
36	-	Panel	1	6061	borrow
35	-	Flat head screw M5x10	16	Longrine assembly	borrow
34	YW62051000100	Column	4	rubber	borrow
33	-	Sight glass fastener four hole	1	Acrylic	
32	YR40000400000	Acrylic 4 hole	1	SPCC	
31	YR40001200100	Sight glass iron four hole	1	SUS201	borrow
30	YW09000400000	Main hopper cover	1	6061	borrow
29	-	Bearing base A	1	6061	borrow
28	BH13005000610	Bearing base cover A	1	6061	borrow
27	BH13005000210	Cylinder assembly	1	SUS201	borrow
26	BH1007001510	Y-type with pin rod SS-M16x1.25/F1510	1	assembly	
25	YE31001000000	Cylinder 200-25-S-P-A/F1510	1	assembly	
24	YE31255000800	Cylinder positioning pin	1	SUS201	borrow
23	BH016520010	Solenoid valve V210-06/DC24V	1	SPCC2.0	borrow
22	YE32421000300	Cylinder mount plate	1	12.9	borrow
21	-	Inner hex screw M8x12	4	assembly	
20	YW61081200000	Fender assembly	1	Silical gel	borrow
19	-	Fender strip	2	assembly	
18	-	Filter 8 person repairing saw AFR-2000	1	assembly	
17	YE30200020000	Fender fixed block 3	1	SUS201	borrow
16	-	Fender fixed block 2	2	SUS201	borrow
15	-	Fender fixed block 1	1	SUS201	borrow
14	-	Discharge pipe	1	PVC	borrow
13	-	Metal separator coil 300PHAK	1	assembly	
12	BH10350500010	Upper welding drawing	1	assembly	
11	YE80003500000	Detector fixed piece	4	0.235A	borrow
10	-	Discharge pipe cover	2	PC plate	borrow
9	BH10184500010	Top plate	1	6061	borrow
8	BR90350400010	Storage hopper welding drawing	1	assembly	
7	-	Hopper connecting plate	1	SUS201	borrow
6	BH13350200010	Hopper cover plate	1	SUS201	borrow
5	-	Flat washer 8	12	100HV	
4	BW09200000000	Ext. hex screw M8x8	8	4.8	
3	YW61081600100	Name	1	Met.	
2	-	Material number	1	Met.	
1	-	Name	1	Met.	

标题		图号		数量		比例		表面要求		材料号	
SMS-35 金属分离器		4.8		1		1:1		4.8		Met.	
标记	更改前	更改后	更改人	日期	审核	设计	校对	日期	核准	版号	日期



SHINI 上海申菱电器有限公司
 SHANGHAI SHENLING TECHNOLOGY, LTD.



No.	Material number	Name	Mat.	Num.	Remarks
4	YW61061600000	Inner hexagon cylindrical screw GB/T5783 Hex8-A2-70(SUS)	SUS201	4	
3	YW65006000000	Standard spring washer GB/T93.6-A2-70(SUS)	SUS201	4	
2	-	Fender plate	SUS201	1	
1	BH11210000010	Fender driving shaft	SUS304	1	

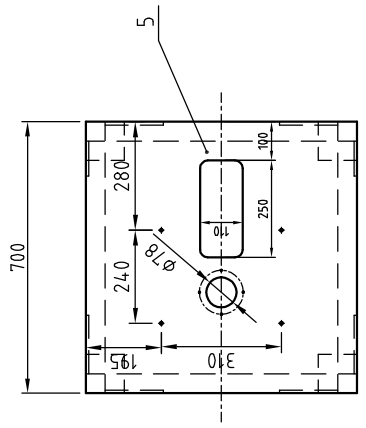
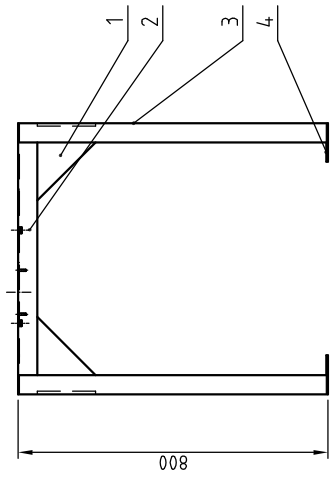
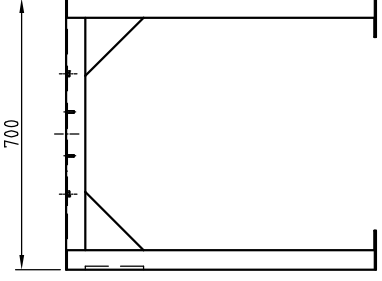
比例	数量	材质
1:1	4	SUS201
1:1	1	SUS304

标题	图号	版号	核准	日期
SMS-70 挡料组件				

制图	设计	校对	审核	日期	更改人	更改后	更改前	标记


表面要求	物料号
无	

SHINI 信易電機機械股份有限公司
Shini Plasmas Technologies, Inc.

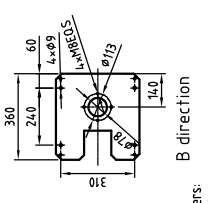
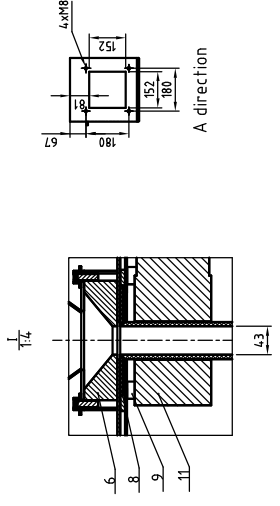
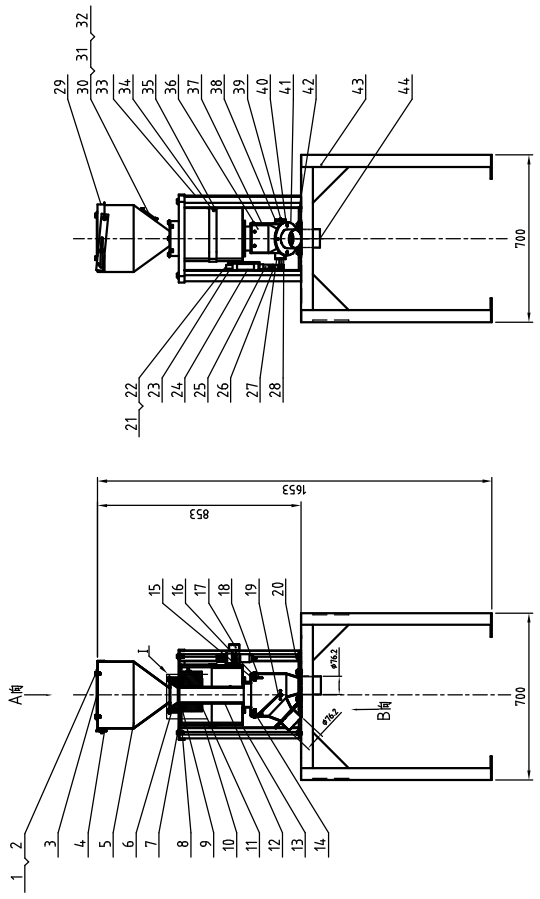


5	-	Floor stand top plate	SPCC3.0	1	
4	-	Floor stand bottom plate	SPH5.0	4	
3	YX20550000000	50x50x792 square pipe	SPCC	4	
2	YX20550000000	50x50x600 square pipe	SPCC	4	
1	-	Floor stand reinforced plate	SPH8.0	8	

比例	数量	表面要求
	材质	
物料号		

标题	SMS-70	图号	
脚架焊接图			
 信易塑胶科技股份有限公司 Shini Plastics Technologies, Inc.			
版号		日期	
设计		更改后	更改前
校对		日期	
审核		日期	
制图		日期	
核准		日期	
标记		日期	

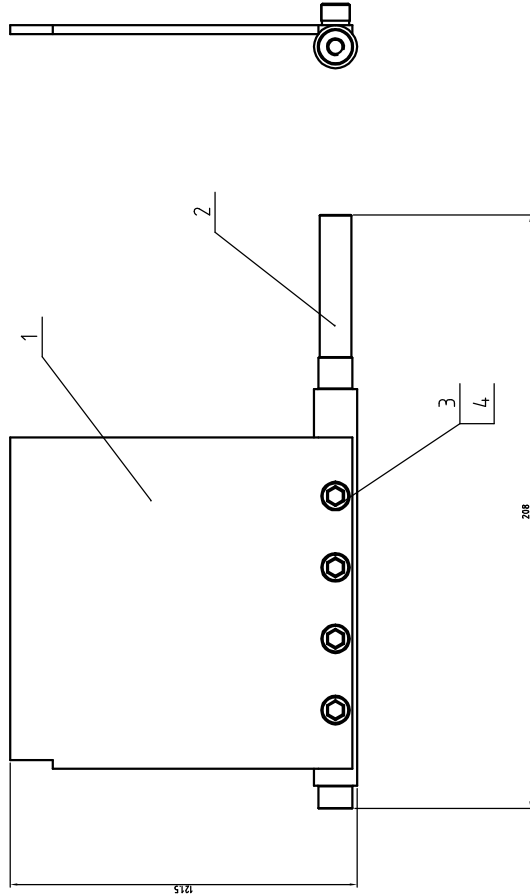
比例	数量	表面要求
材质		
物料号		



Tech. Req:
 1 Main performance parameters:
 a. Max. output is 1500L/hr (test material bulk density is 0.8kg/L)
 b. Power: 1φ, 230V, 50Hz
 c. Storage hopper effective capacity is 12L
 d. The min. diameter of tested metal is 0.6mm (Take carbon steel as test standard)
 e. The metal detecting coil hole diameter is 50mm;
 f. The detection channel hole diameter is 43mm;
 g. The host unit weight is 50kg;

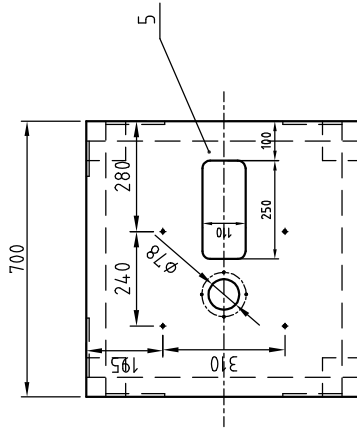
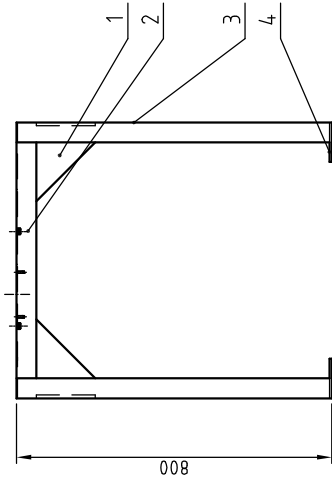
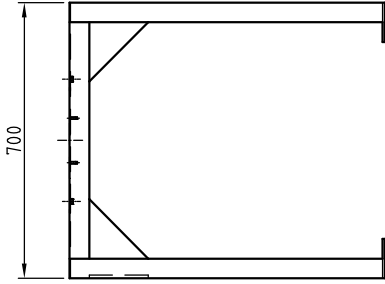
4.4	-	-	Discharge pipe	SUS201	1	borrow optional
4.3	-	-	Floor stand welding drawing	SPHB.0	1	borrow optional
4.2	-	-	Base	SUS201	1	borrow
4.1	-	-	Discharge port	SUS201	1	borrow
4.0	BH13005000310	-	Bearing base cover B	6061	1	borrow
39	YW62052000000	-	Flat head screw M5x20	Langhin	2	borrow
38	BH13005000110	-	Bearing base B	6061	1	borrow
37	-	-	Lever assembly 4	SUS201	1	borrow
36	-	-	Lever welding drawing	assembly	1	borrow
35	-	-	Panel	6061	1	borrow
34	YW62051000100	-	Flat head screw M5x10	Langhin	16	borrow
33	-	-	Column	assembly	4	borrow
32	YR4.00004000000	-	Sight glass (feature) four hole	Acrylic	1	borrow
31	YR4.00012001000	-	Acrylic 4 hole	Acrylic	1	borrow
30	YW6900040000000	-	Sight glass iron four hole	SPCC	1	borrow
29	-	-	Main hopper cover	SUS201	1	borrow
28	BH13005000610	-	Bearing base A	6061	1	borrow
27	BH13005000210	-	Bearing base cover A	6061	1	borrow
26	BH1007001510	-	Cylinder assembly	SUS201	1	borrow
25	YE31001000000	-	Y-type with pin rod SG-HBL250510	assembly	1	borrow
24	YE32500200000	-	Cylinder polishing pin	SUS201	1	borrow
23	BH10165200010	-	Solenoid valve 4/2W-60DCLV	assembly	1	borrow
22	YE324.7000300	-	Cylinder mount plate	SPCC2.0	1	borrow
21	YW61081200000	-	Inner hex screw M8x12	12.9	4	borrow
19	-	-	Fender assembly	assembly	1	borrow
18	-	-	Fender strip	silica gel	2	borrow
17	YE30200200000	-	Filter & pressure regulating valve APR-200	assembly	1	borrow
16	-	-	Fender fixed block 3	SUS201	1	borrow
15	-	-	Fender fixed block 2	SUS201	2	borrow
14	-	-	Fender fixed block 1	SUS201	1	borrow
13	-	-	Lower welding drawing	assembly	1	borrow
12	BH1005001510	-	Discharge pipe	PVC	1	borrow
11	YE80005000000	-	Metal separator coil 30DENM	assembly	1	borrow
9	BH10184500010	-	Detector fixed plate	Q235A	4	borrow
8	BR90005001510	-	Discharge pipe cover	PC plate	2	borrow
7	-	-	Top plate	SPCC3.0	1	borrow
6	BH13005001510	-	Feed port flange	6061	1	borrow
5	-	-	Storage hopper welding drawing	assembly	1	borrow
4	-	-	Hopper connecting plate	SUS201	1	borrow
3	BW09202000000	-	Hopper cover plate	SUS201	1	borrow
2	YW60081900000	-	Flat washer 8	100HV	12	borrow
1	YW600816100100	-	Ext. hex screw M6x6	4.8	8	borrow

No.	Material number	Name	Unit	Quantity	Remarks
标题 SMS-50 图号 金属材料 上海盛磁检测设备有限公司 SHINI SHANGHAI SHENZHANG JIANCE KEXUE YANJIU YOUXIAN GONGSI					
制图	设计	校对	审核	日期	
修改前	修改后	修改人	日期	审核	



4	YW61061600000	Inner hexagon cylindrical screw GB/T197B3 Hex:6-12 (SUS)	SUS201	4	
3	YW65006000000	Standard spring washer GB/T93 6-A2-70(SUS)	SUS201	4	
2	-	Fender plate	SUS201	1	
1	BH11210000010	Fender driving shaft	SUS304	1	
No.	Material number	Name	Mat.	Num.	Remarks
	SMS-70	挡料组件	比例	数量	
	版号	图号		材质	
	制图	核准		表面要求	
	设计	日期		物料号	
	校对	更改人			
	审核	更改后			
		更改前			
标记					



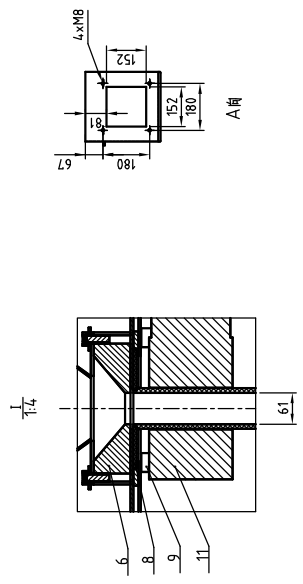
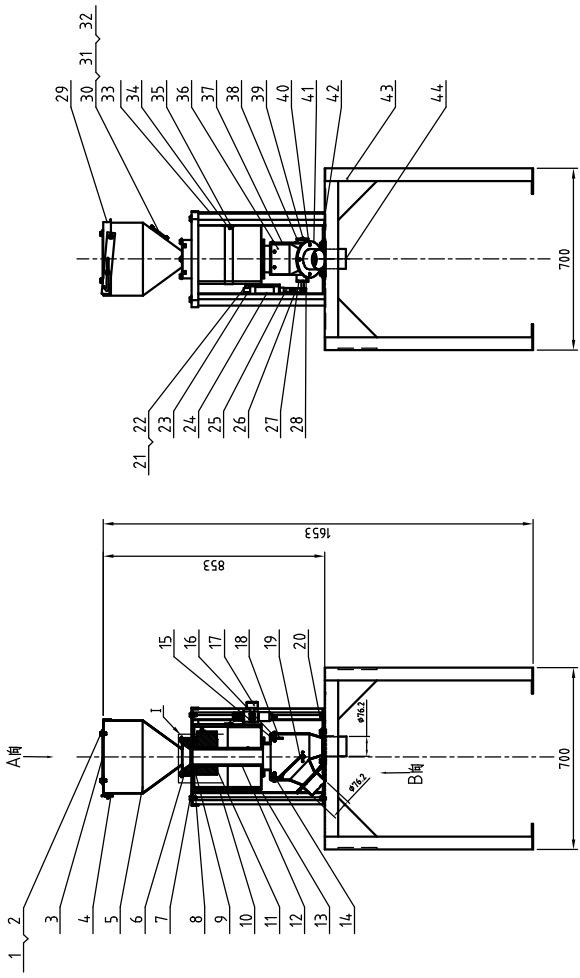


No.	Material number	Name	Mat.	Num.	Remarks
5	-	Floor stand top plate	SPCC3.0	1	
4	-	Floor stand bottom plate	SPH5.0	4	
3	YX205500000000	50x50x792 square pipe	SPCC	4	
2	YX205500000000	50x50x600 square pipe	SPCC	4	
1	-	Floor stand reinforced plate	SPH8.0	8	

标题	SMS-70	图号	
版号		脚架焊接图	
制图		设计	
校对		审核	
标记	更改前	更改后	更改人
			日期
			日期
			日期

比例		数量	
表面要求		材质	
物料号			

SHINI 信易塑料机械股份有限公司
Shini Plastics Technologies, Inc.



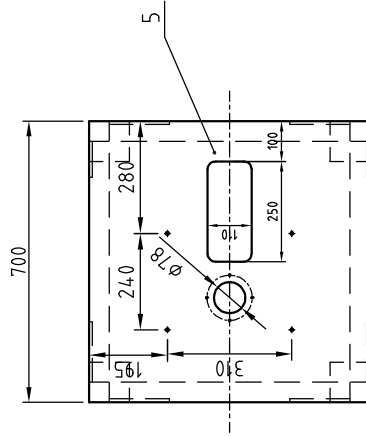
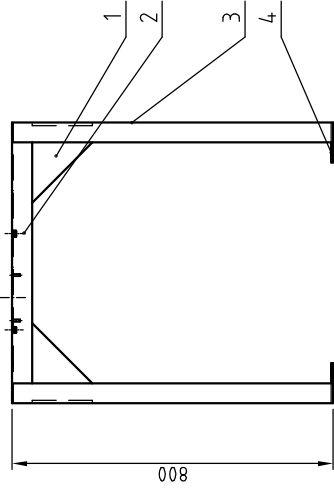
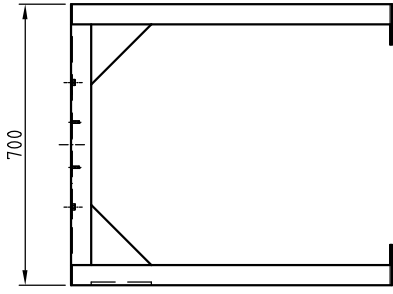
44	-	Discharge pipe	SUS201	1	option
43	-	Floor stand welding drawing	SPH8.0	1	option
42	-	Base	SUS201	1	
41	-	Discharge part	6061	1	
40	BH13005000310	Bearing base cover B	Longrine	2	
39	YW62052000000	Flat head screw M5x20	6061	1	
38	BH13005000110	Bearing base B	SUS201	1	
37	-	Lower assembly 4	assembly	1	
36	-	Lower welding drawing	6061	1	
35	-	Panel	Longrine	16	
34	YW62051000100	Flat head screw M5x10	assembly	4	
33	-	Column	rubber	1	
32	YR40004000000	Sight glass fastener four hole	Acrylic	1	
31	YR40001200100	Acrylic 4 hole	SPCC	1	
30	YW09004000000	Sight glass iron four hole	SUS201	1	borrow
29	-	Main hopper cover	6061	1	
28	BH13005000610	Bearing base A	6061	1	
27	BH13005000210	Bearing base cover A	SUS201	1	
26	BH1007001510	Cylinder assembly	assembly	1	
25	YE31001000000	Y-type with pin rod 66-MHS25FEF10	assembly	1	
24	YE325000800	Cylinder pin 80-54-P-AFEF10	SUS201	1	
23	BH0165200010	Cylinder polishing pin	assembly	1	
22	YE32421000300	Sensored valve V210-06-DC24V	SPCC2.0	1	
21	-	Cylinder mount plate	17.9	4	
20	YW61081200000	Inner hex screw M8x12	assembly	1	
19	-	Feeder assembly	silicat gel	2	
18	-	Feeder strip	assembly	1	
17	YE32020020000	Flur & preson regulating sleeve AFR-2000	SUS201	1	
16	-	Feeder fixed block 3	SUS201	2	
15	-	Feeder fixed block 2	SUS201	1	
14	-	Feeder fixed block 1	assembly	1	
13	-	Lower welding drawing	PVC	1	
12	BR90700300010	Discharge pipe	assembly	1	
11	YR80007000100	Metal separator coil 70(DENMAK)	assembly	1	
10	-	Upper welding drawing	0.235A	4	
9	BH10184500010	Detector fixed piece	PC plate	2	
8	BH14007500110	Discharge pipe cover	SPCC3.0	1	
7	-	Top plate	6061	1	
6	BH13070800010	Feed port flange	assembly	1	
5	-	Storage hopper welding drawing	SUS201	1	
4	-	Hopper connecting plate	SUS201	1	
3	BW09201000000	Hopper cover plate	100HV	12	
2	YW66001900000	Plan washer 8	4-8	8	
1	YW60081600100	Est. hex screw M8x6	Mat.	8	

标题	SMS-70	图号	
标准	金属材料	比例	
数量		材料	
表面要求		表面处理	
物料号		物料号	



Tech. Req:
 1. Main performance parameters:
 a. Max output is 3000L/hr (test material bulk density is 0.8g/L)
 b. Power: 14, 230V, 50Hz
 c. Storage hopper effective capacity is 12L
 d. The min. diameter of tested metal is 1mm (take carbon steel as test standard)
 e. The metal detecting coil hole diameter is 70mm;
 f. The detection channel hole diameter is 61mm;
 g. The host unit weight is 50kg;

版号	核准	日期	
制图	设计	校对	审核
标记	更改前	更改后	更改人



5	-	Floor stand top plate	SPCC3.0	1	
4	-	Floor stand bottom plate	SPH5.0	4	
3	YX2055000000	50x50x792 square pipe	SPCC	4	
2	YX2055000000	50x50x600 square pipe	SPCC	4	
1	-	Floor stand reinforced plate	SPH8.0	8	
No.	Material number	Name	Mat.	Num.	Remarks

标题	SMS-70	图号	
版号		数量	
制图		材质	
设计		表面要求	
校对		物料号	
审核			
更改前	更改后	更改人	日期
标记			

SHINI
信易塑料机械股份有限公司
Shini Plastics Technologies, Inc.