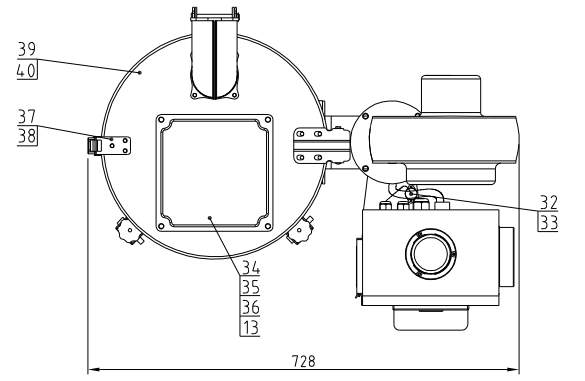
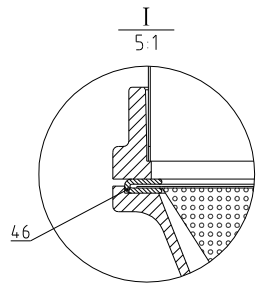
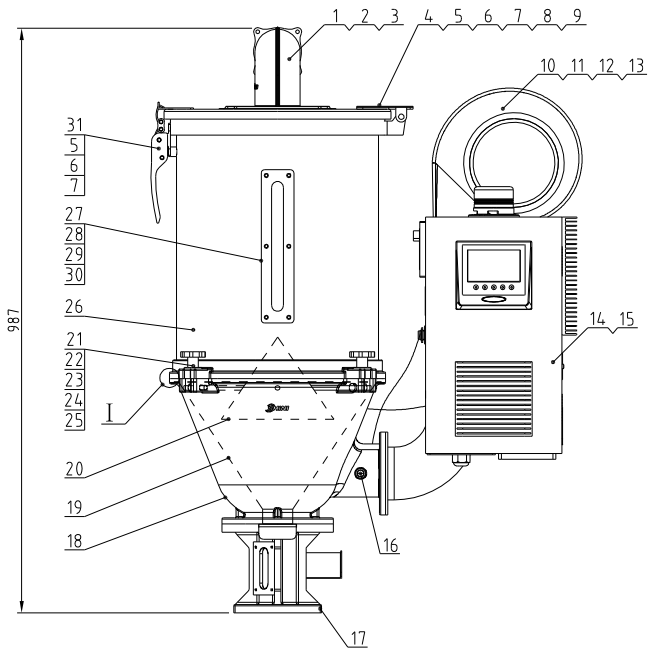
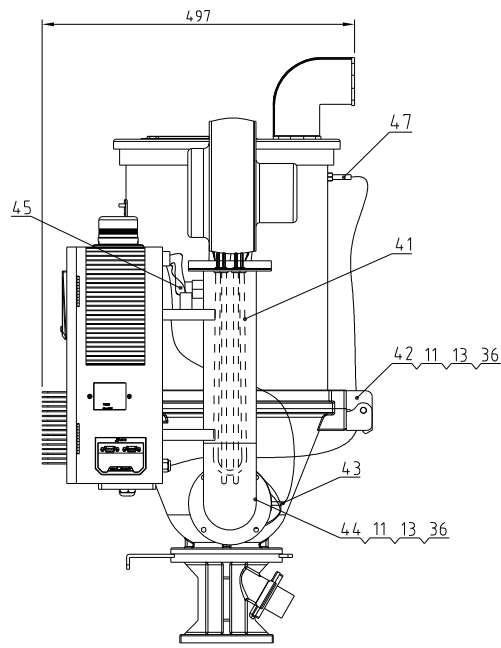


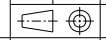
风车功率	Drying blower power	电热管功率	料桶容量	料型版本号
50Hz:0.17kW	60Hz:0.205kW	3kW	25kg	Ver D

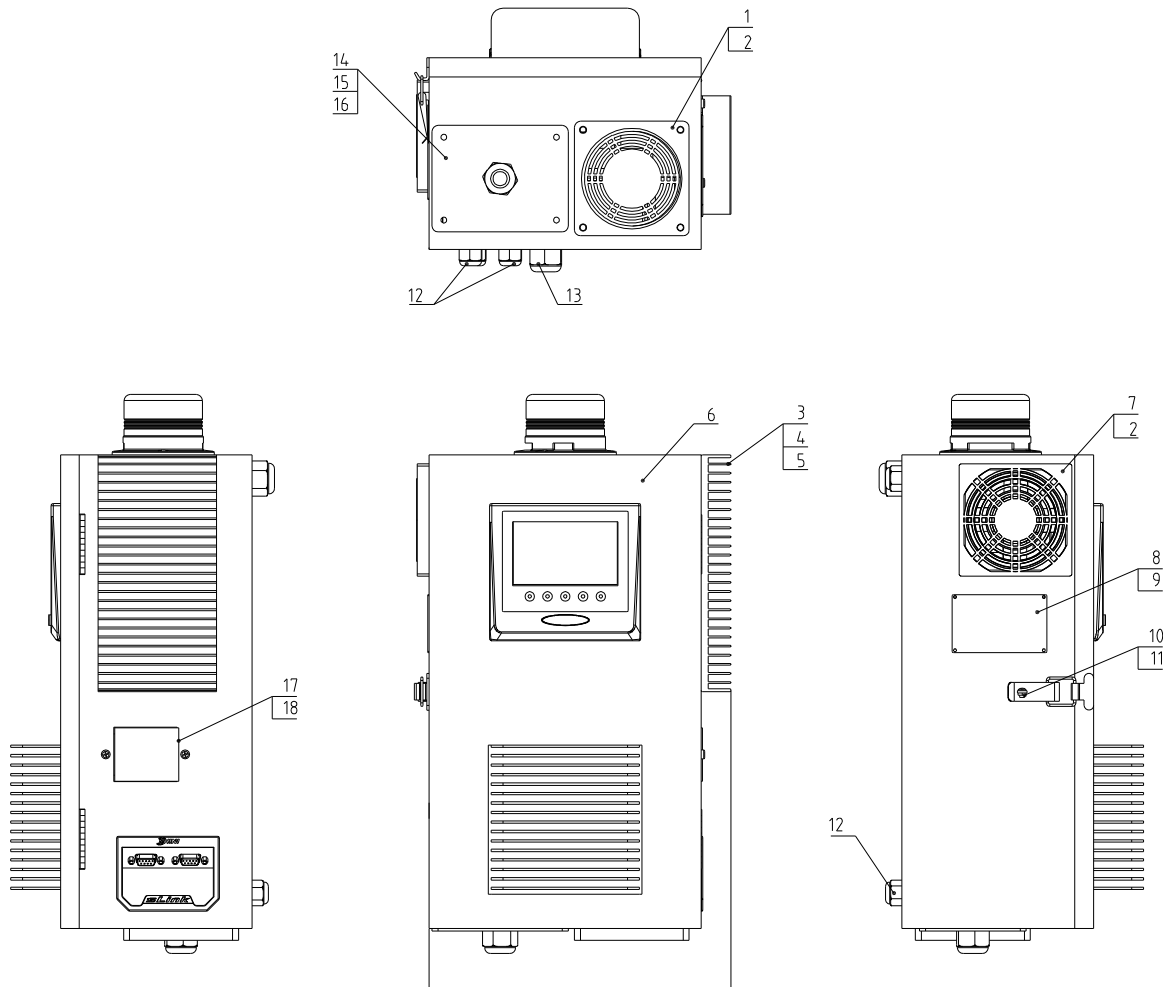


46	YR10121300200	Shade capacitor factorer SHD-25E-A-10liver (transparent silica gel)has mould		1
45	YE60122000100	High grade plastic coated metal hose φ12 (200 × 132mm) with zinc alloy outer thread M20 × 1.5 at both ends	Assembly	1
44	YL01250800100	Hot air pipe SHD-25E-A-08 Drawing ver 0 Longfeng	Weldment	1
43	YE90055501300	Thermocouple 5×30L×M6×2.5H (SHD-40U-A-2L Tube type version 0)	Assembly	1
42	YW09125000100	Hopper rear button SHD-50E-A-07 Drawing ver 0	Assembly	1
41	BH70250300150	Pipe heater SHD-25E-B-01 Drawing ver 0-3KW/3φ400V	Assembly	1
40	YR10002500100	Cover fastener SHD-25E white silica gel (has mould)	white silica gel	1
39	YW90038302000	Hopper cover SHD-25E-A-04 Drawing version 0 Longfeng	SPCC15	1
38	YW62061000000	Cross socket flat-head screw JIS1111 M6×10-Longzine		3
37	BL01121400120	Hand hook SHD-12E-A-14 Drawing version 0 (has mould)	SUS201	1
36	YW66081600000	Flat washer A grade GB/T197 M8.4×16×1.6L-Longzine		12
35	YW60083000200	Hexagon screw bolt GB/15783 M8×30-8-Longzine		4
34	BW09202000000	Square plate SEHD-100-A-09liver (0)has mould	SPCC10	1
33	YW67030800000	Cross recessed pan head lapping screw GB6560 M3-8 Longzine		2
32	BE85013000550	Overheat protector K130 (zeisun degreel 0.5M)liver constant open	Assembly	1
31	YW00121000000	Handle SEHD-25-A-08liver (0)has mould	Assembly	1
30	YW64000500000	Hexagonal nut M5 anti-loose		6
29	BW09000630040	Six holes sight glass(chrome plated)SEHD-12-A-16(Drawing version 0)	SPCC2.0	1
28	YR40001200000	Acryl six box SEHD-12-A-12 (ver 0) Plastic PC(has mould)	PC	1
27	YR40000600000	Sight-glass fastener six hole(has mould)SEHD-12-A-11liver 0)	Rubber	1
26	SHD-25E-EC-A-01	Storage tank	Assembly	1
25	YW66000600000	Open check ring GB/T896.6		2
24	YW90481203800	Long hinge 48 SHD-12E(B)longfeng) 100 pcs/pack	Q235	2
23	YW66103200000	Flat washer A grade GB/T196 10/10 5x30x2.5)-Longzine		2
22	YW90001200400	Small star ring screw M10×4.0 SEHD-12E(B)longfeng)200 sets/box	Q235	2
21	YW90001200300	Small star ring screw SHD-12E(B)longfeng) 200 set/box	zinc alloy	2
20	BL01250600220	Upper screen SHD-25E-A-06 Drawing ver 0	SUS201	1
19	YL01002500200	Lower screen assembly SHD-25E-A-05 Drawing version 0 Longfeng	SUS201	1
18	YW20002500100	Hopper SHD-25E-A-02 Drawing version 0 Longfeng Shini mould	AC4B	1
17	BY10050003150	Standard base assembly HB-50 ( Ver B)	Assembly	1
16	YW80010200100	plug 1/4		1
15	YW67051000700	Cross recessed pan head lapping screw GB6560 M5×10 Longzine		4
14	SHD-50E-EC-A-ALL	Control box assembly	Assembly	1
13	YW65008000100	Standard spring washer GB/193 8-Longzine		16
12	YW66081900000	Flat washer 8×19x2.0 Longzine		4
11	YW60082500100	Hexagon bolt GB/15783 M8×25-12.9-Longzine		12
10	YM40503400200	blower 2.5'150E3φ380V×4.15V/50/60HZ/170W/205W	Assembly	1
9	YW64000600200	Hexagon nut M6(Anti-loosening)		2
8	YW61062500000	Inner hexagon cylinder head screw GB/T701 M6x25-A2-70(SUS)		2
7	YW65006000100	Standard spring washer GB/193 6-Longzine		6
6	YW66061300000	Flat washer A grade GB/197 1.6-Longzine		6
5	YW60061200000	Hexagon screw bolt GB/15783 M6×12-12.9-Longzine		6
4	YW90001200100	Hopper hinge SHD-12E-A-10 Drawing ver 0 (small sleeve) (L)longfeng)	Assembly	1
3	YW63061500000	Cross recessed pan head screw GB/T-818 M6×15-Longzine		4
2	YR10500900300	Air exhaust pipe fastener SEHD-50-A-10liver 0) rubber (has mould) Air exhaust pipe SEHD-50-A-0liver 0)(Painted) (has mould)	Rubber	1
1	BA10500707010		AC4B	1

47	YE90053000700	Thermocouple 5×30L×M6×2.5H Tube type (SD-40H-ALL-21 version 0)	Assembly	1
----	---------------	--	----------	---

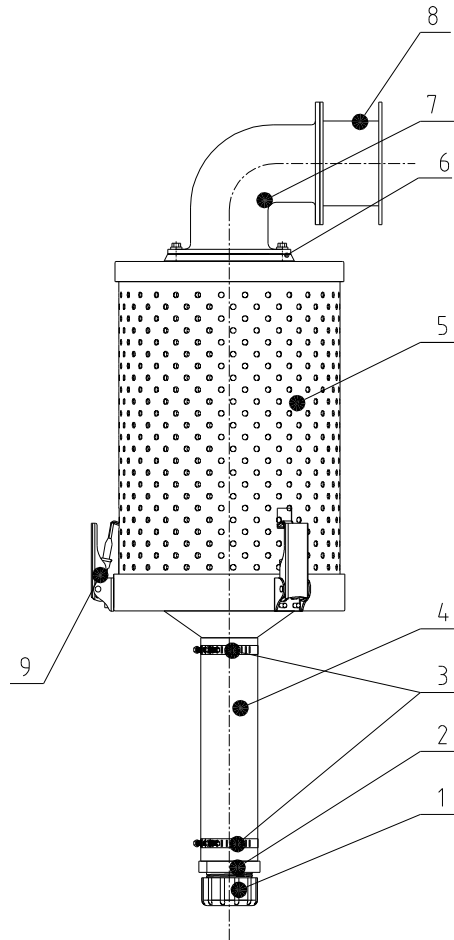
制图	版号	标题	图号	比例	数量
设计	核准	SHD-25E-EC	SHD-25E-EC-ALL	1:8	1
校对	料斗干燥机	SHINI 信易电热机械股份有限公司		表面要求	材质
标记	更改前	更改后	更改人	日期	审核
日期	日期	日期	日期	日期	日期





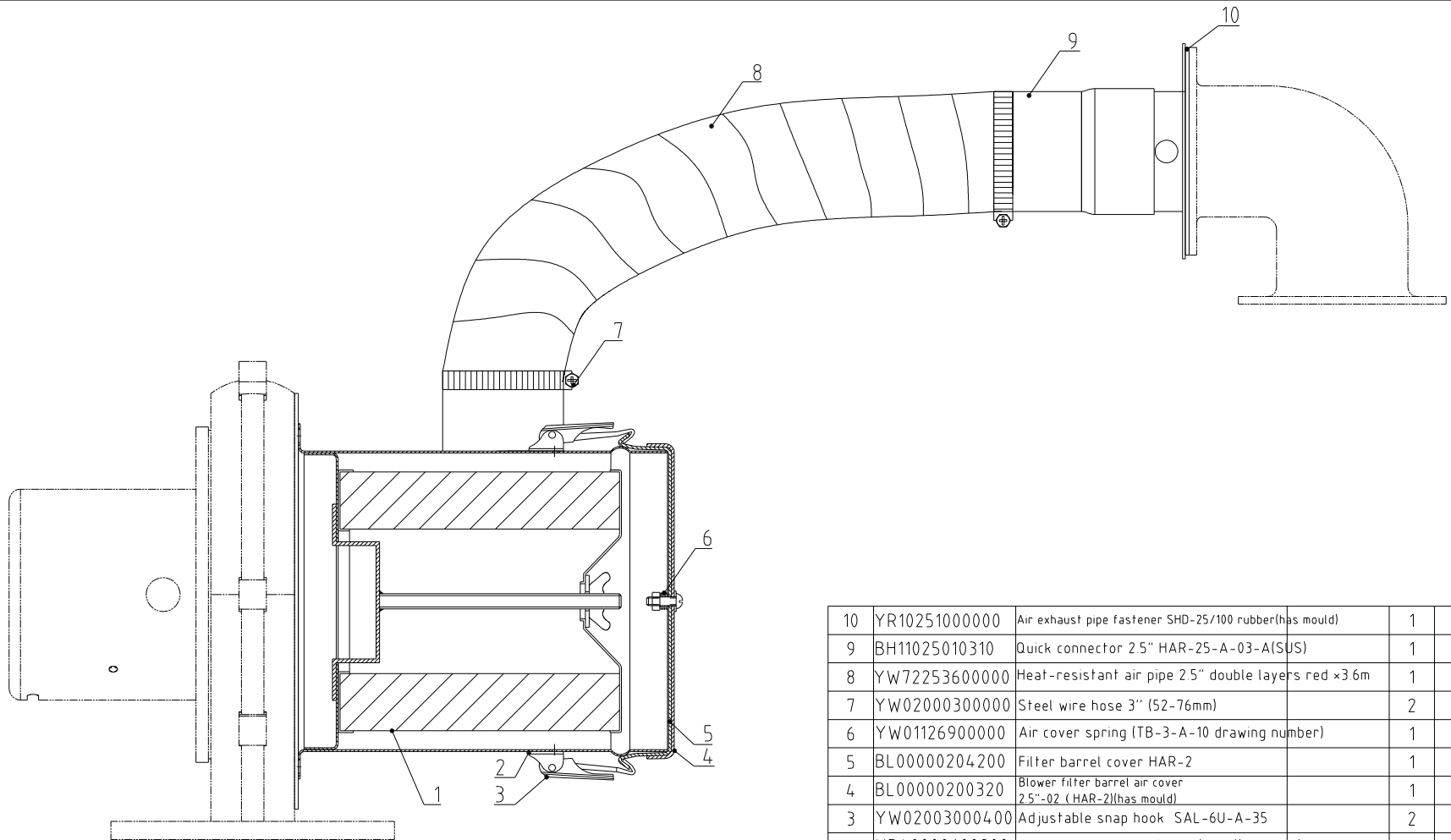
18	YW67040600600	Cross socket pan head self-tapping lock screw GB6560 Mx6-Longzine		2	
17	BL22080000220	Breaker fixed plate SAL-810G-B-95(has mould)	SPCC10	1	
16	YW67051000700	Cross socket pan head self-tapping lock screw GB6560 Mx10-Longzine		4	
15	BL50135000020	Wire clamp fixed plate PG13 5 5G-S-01(has mould)	SPCC2.0	1	
14	YE67201500100	Copper nickel-plated cable glands (LT12-M20x1.5 2.5x4C for cable)	Copper nickel plating	1	
13	YE67001100000	Cable head PG11		1	
12	YE67000940000	Cable head PG9		3	
11	YW64000300100	Hex nut GB/T6170 M3-Longzine		1	
10	YW63030600000	Cross recessed pan head screw GB/T-823 M3x6-Longzine		1	
9	YW69020500000	Rivet GB/T 827 2x5		4	
8	YP30804900700	Aluminum plate nameplate (small) universal to the group 80x49mm	Aluminum	1	
7	YM60922500200	Exhaust fan + plastic air net 9225AT24VAC/50/60Hz	Assembly	1	
6	SHD-50E-EC-A-01	Control box	Weldment	1	
5	YW61041000100	Cross socket counter sunk head screw GB819 Mx10-Longzine		4	
4	YW63040600000	Cross recessed pan head screw GB/T818 Mx6-Longzine		4	
3	YW90120700000	aluminum cooler SD-40H-ALL-28(Iver Allblack)	AL6063	1	
2	YW62050500000	Large cross socket flat head screw JS1111 M5x5-Longzine		8	
1	YR40090900000	Exhaust fan 3-in-1 dust-proof plastic screen 9x9		1	
序号	代号	名称	材料	数量	备注

					制图	版号	标题	图号	比例	数量	备注
					设计	核准	SHD-50E-EC	SHD-50E-EC-A-ALL	1:4	1	
					校对		控制箱组件				材质
					审核		<b>信易电热机械股份有限公司</b> <b>Shini Plastics Technologies, Inc.</b>				表面要求
标记	更改前	更改后	更改人	日期	审核	日期					



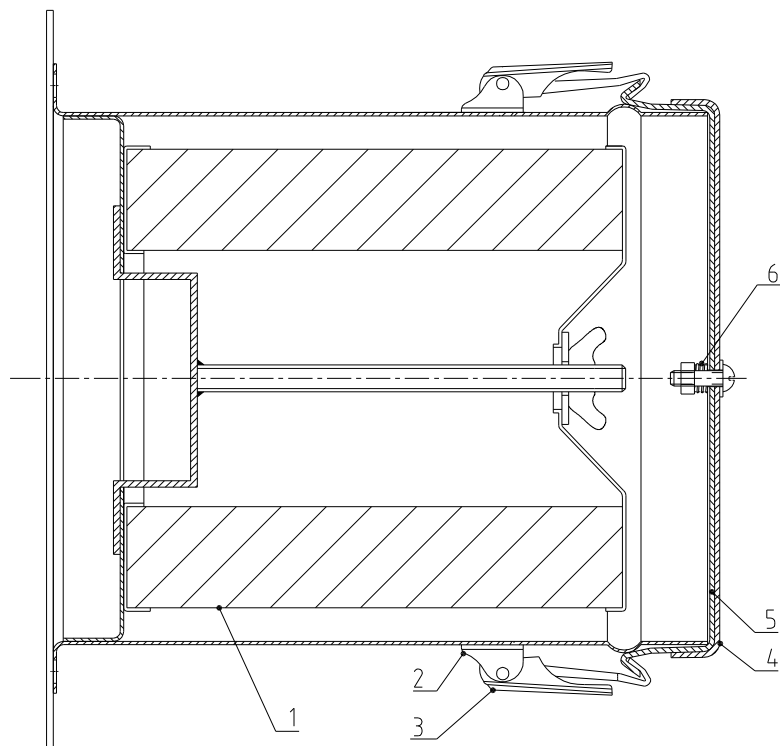
9	YW02003000400	Adjustable snap hook SAL-6U-A-35(Ver.C)	3		
8	BL90000200120	adapter flange ADC-2EB-A-01(Ver.0)	1		
7	YW20002507000	Air exhaust SHD-25EB-A-03(ver.0) (Long leng)	1		
6	YR10251000000	Air exhaust pipe fastener SHD-25/100 rubber(has mould)	2		
5	YR50181100000	Filter ADC2 rubber fastener(SMD-1000H-A-ALL-09) Ver.0	1		
4	YE66515800000	PVC transparent hose 2" inner dia 50mmx0.8mm	1		
3	YW02002500000	Steel wire hose 2.5"(40-64mm)	2		
2	YR40012500000	Plastics connector 1.25"	1		
1	YR40000000100	Bottom plug ADC-1-A-05 Ver.0(has mould)	1		
序号	代号	名称	材质	数量	备注

					制图	版号	标题	图号	比例	1:6	数量	1
					设计	核准	ADC-2EB 排风空气滤清器	ADC-2EB-ALL			材质	
					校对		信易电热机械股份有限公司 Shini Plastics Technologies, Inc.		表面要求			
标记	更改前	更改后	更改人	日期	审核	日期			物料号			



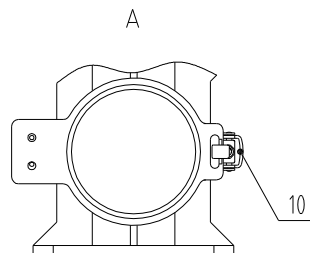
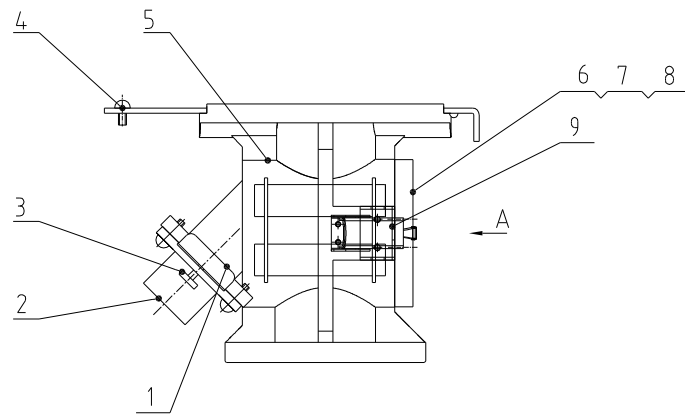
10	YR10251000000	Air exhaust pipe fastener SHD-25/100 rubber(has mould)	1		
9	BH11025010310	Quick connector 2.5" HAR-25-A-03-A(SUS)	1		
8	YW72253600000	Heat-resistant air pipe 2.5" double layers red ×3.6m	1		
7	YW02000300000	Steel wire hose 3" (52-76mm)	2		
6	YW01126900000	Air cover spring (TB-3-A-10 drawing number)	1		
5	BL00000204200	Filter barrel cover HAR-2	1		
4	BL00000200320	Blower filter barrel air cover 2.5"-02 (HAR-2)(has mould)	1		
3	YW02003000400	Adjustable snap hook SAL-6U-A-35	2		
2	YR40000600800	Snap hook plastic block SAL-6U(White)(has mould)	2		
1	YR50138000000	Filter ADC14 foam rubber (AIF-12-A-ALL-01) Ver 0	1		
序号	代号	名称	材料	数量	备注

					制图	版号	标题	图号	比例	1:3	数量	1
					设计	核准	HAR-25EB	HAR-25EB-ALL			材质	
					校对		<b>信易電熱機械股份有限公司</b> <b>Shini Plastics Technologies, Inc.</b>		表面要求			
标记	更改前	更改后	更改人	日期	审核	日期			20200917	物料号		



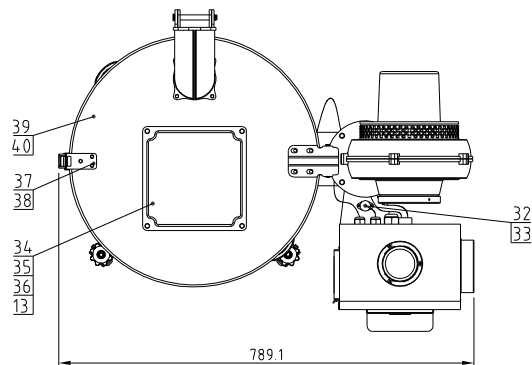
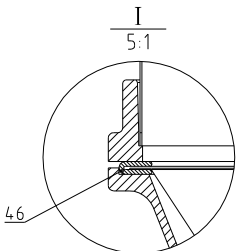
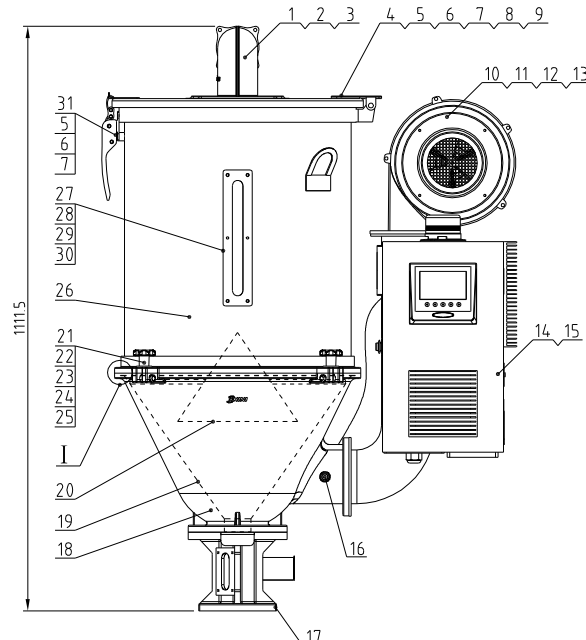
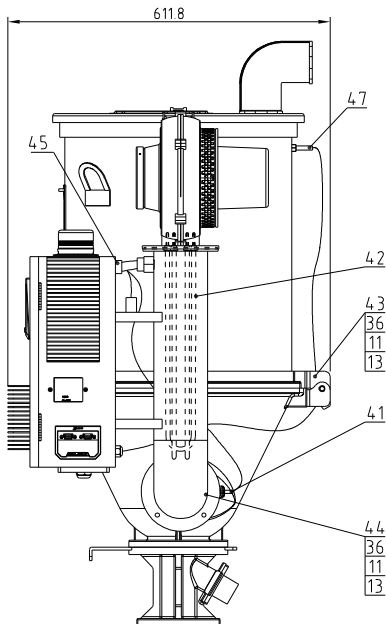
6	YW01126900000	Air cover spring (TB-3-A-10 Drawing NO.)		1	
5	BL00000204200	Filter tank cover HAR-2		1	
4	BL00000200320	Blower filter barrel air cover 25"-02 (HAR-2)(has mould)		1	
3	YW02003000400	Adjustable snap hook SAL-6U-A-35		2	
2	YR40000600800	Snap hook plastic block SAL-6U(White)(has mould)		2	
1	YR50138000000	Filter ADC14 foam rubber (AIF-12-A-ALL-01) Ver.0		1	
序号	代号	名称	材料	数量	备注

					制图	版号	标题	图号	比例	1:2	数量	1
					设计	核准	AIF-25EB 风机入口过滤器	AIF-25EB-ALL		材质		
					校对		<b>SHINI</b> 信易電熱機械股份有限公司 Shini Plastics Technologies, Inc.	表面要求				
标记	更改前	更改后	更改人	日期	审核	日期		20200917	物料号			



10	YW02003000400	Adjustable snap hook SAL-6U-A-35		1	
9	YW09050200000	Magnetic base hinge SCM-38-A-21/SGD-A-12 Ver 0 (has mould)		1	
8	YW01005000100	Magnetic base spring SHD-50-A-101		1	
7	YW70097500000	Sight-glass 50KG(φ97×5mm)SHD-50-A-106(Ver.C)		1	
6	BA10005000210	Magnetic base glass frame SHD-50-A-96-0(processed)(has mould)		1	
5	BA20005000310	Magnet base SHD-50-A-51(processed)(has mould)		1	
4	YW07001200000	Large shut-off plate HB-12-A-02(Ver.A)(has mould)		1	
3	YW69616100000	Hand screw M6×16×16		1	
2	YA10005000100	Discharge port (has mould)SEHD-50-ALL-03(Ver.0)		1	
1	YW09125000000	Small shut-off plate HB-12/50 thickness:1.4mm HB-12-A-03(Ver.0)(has mould)		1	
序号	代号	名称	材质	数量	备注

					制图	版号	标题	图号	比例	1:5	数量	1
					设计	核准	MB-50 磁力底座	MB-50-ALL		材质		
					校对		<b>信易電熱機械股份有限公司</b> <b>Shini Plastics Technologies, Inc.</b>			表面要求		
标记	更改前	更改后	更改人	日期	审核	日期			20130108			物料号

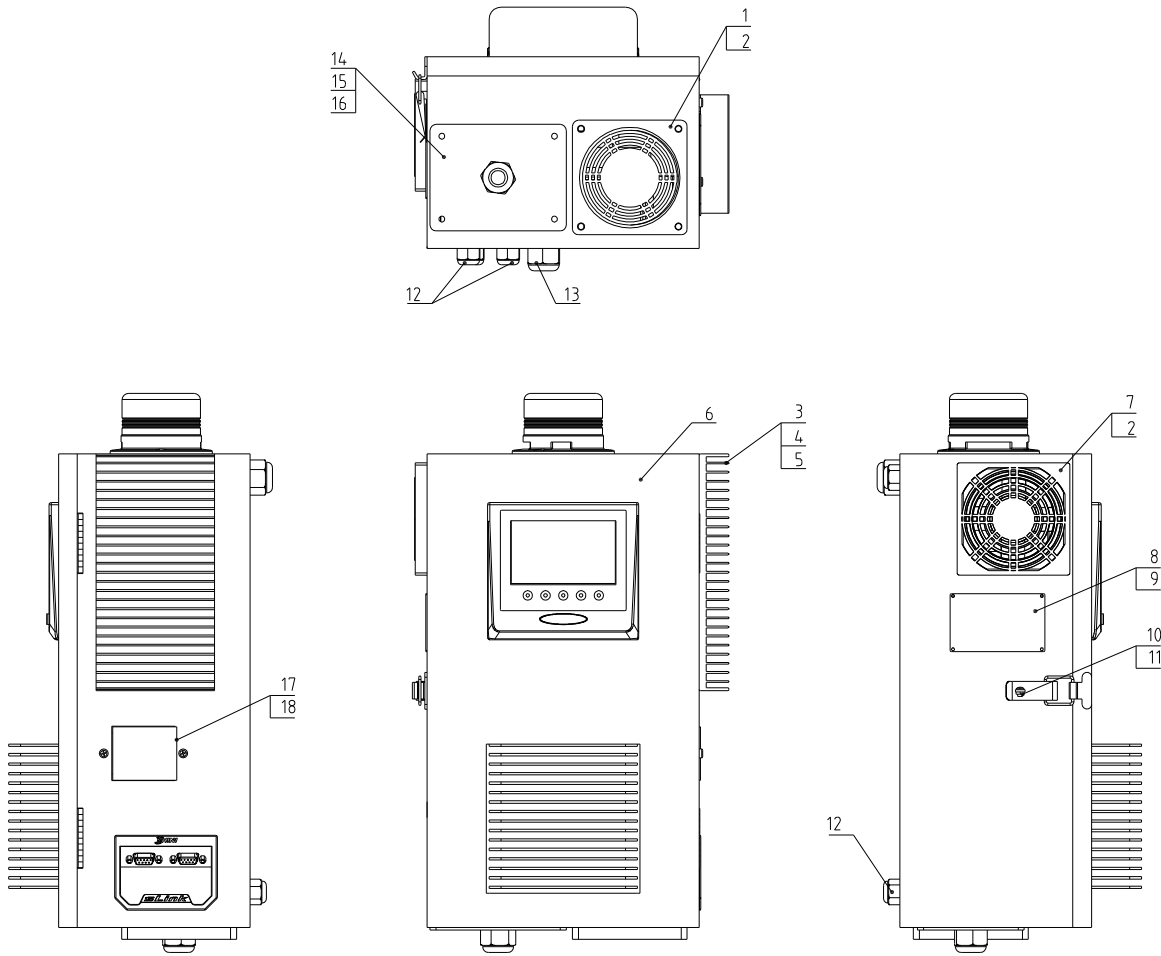


风车功率	Drying blower power	电热管功率	料桶容量	机座版本号
50Hz:0.17kW	60Hz:0.205kW	3.9kW	50kg	Ver.C

45	YE60122000100	High grade plastic coated metal hose # 12 (DIN + 132mm) with zinc alloy outer thread M28 + 15 at both ends	Assembly	1
44	YL01500800100	Hot air pipe SHD-50E-A-08 Drawing version 0 Long feng	Weldment	1
43	YW09125000100	Hopper rear builton SHD-50E-A-07 drawing version 0	Assembly	1
42	BH70500300150	Pipe heater SHD-50E-B-07 Drawing version 0	Assembly	1
41	YE900555001300	Thermocouple 5 * 5SL * M8 * 1M (SHD-50E-A-24 Tube type Ver.0)	Assembly	1
40	YR100050000100	Cover Fastener SHD-50 white silica gel ( has mould )	white silica gel	1
39	YW90047802000	Hopper cover SHD-50E-A-04 Drawing version 0 Long feng	SPCC14	1
38	YW62061000000	Large cross socket flat head screw JIS1111 M6x10-Longzine		3
37	BL01121400120	Handle hook SHD-12E-A-14 Drawing version 0 has mould	SUS201	1
36	YW66081600000	Flat washer A grade GB/T193 18.4-16-16L Longzine		12
35	YW60083000200	Hexagon bolt GB/T5783 M8x30-8-Longzine		4
34	BW09202000000	Square plate SEHD-100-A-09Ver 0( has mould )	SPCC10	1
33	YW67030800000	Cross recessed pan head tapping screw GB6560 M3.8 Longzine		2
32	BE85013000550	Temperature protector K130 degrees Celsius (wire length 0.5M) (thermal protection normally open)	Assembly	1
31	YW00121000000	Handle SEHD-25-A-08(Ver 0) ( has mould )	Assembly	1
30	YW64000500000	Hexagonal nut M5 anti-loose		6
29	BW09000630040	Six holes sight glass(chrome plated) SEHD-12-A-16( Drawing version 0)	SPCC20	1
28	YR40001200000	Acrylic six holes SEHD-12-A-12(Ver 0) Plastic (PL has mould)	PC	1
27	YR40000600000	Sight glass fastener six hole ( has mould ) SEHD-12-A-11(Ver 0)	Rubber	1
26	SHD-50E-EC-B-ALL	Storage tank	Assembly	1
25	YW66000600000	Open check ring GB/T1896 6		2
24	YW90481203800	Long hinge 4.8 SHD-12EBILong feng100 pcs/pack	Q235	2
23	YW66103200000	Flat washer A grade GB/T196 10/18 5x30x2.51-Longzine		2
22	YW90001200400	Small star ring screw M10x4 SHD-12EBILong feng200 sets/box	Q235	2
21	YW90001200300	Small star ring screw SHD-12EBILong feng200 sets/box	hirsite	2
20	BL01500600220	Upper screen SHD-50E-A-06 drawing Ver 0	SUS201	1
19	YL01005000200	Lower screen SHD-50E-A-05 assembly Drawing version 0 Long feng	SUS201	1
18	YW20005000300	Hopper SHD-50E-A-03 Drawing version 0 Long feng Shui mould	AC4B	1
17	BY10050003150	Standard base assembly HB-50 ( Ver.B )	Assembly	1
16	YW80010200100	Plug 1/4		1
15	YW67051000700	Cross recessed pan head tapping screw GB6560 M5x10 Longzine		4
14	SHD-50E-EC-A-ALL	Control box assembly	Assembly	1
13	YW65008000100	Standard spring washer GB/T193 8-Longzine		16
12	YW66081900000	Flat gasket 8x19x2.0 Longzine		4
11	YW60082500100	Hexagon bolt GB/T5783 M8x25-12.9-Longzine		12
10	YM40503400200	Blower 2.5' (56E13) 380V-L45V/50/60Hz/170W/205W	Assembly	1
9	YW64000600200	Hexagon nut M6(Anti-loosening)		2
8	YW61062500000	Inner hexagon cylinder head screw GB/T701 M6x25-A2-70(SUS)		2
7	YW65006000100	Standard spring washer GB/T193 6-Longzine		12
6	YW66061300000	Flat washer A grade GB/T193 16-Longzine		16
5	YW60061200000	Hexagon bolt GB/T5783 M6x12-9-Longzine		12
4	YW90001200100	Hopper hinge SHD-12E-A-10 Drawing version 0 Long feng	Assembly	1
3	YW63061500000	Cross recessed pan head screw GB/T-818 M6x15-Longzine		4
2	YR10500900300	Air exhaust pipe fastener SEHD-50-A-10(Ver 0)(Rubber) ( has mould )	Rubber	1
1	BA10500707010	Air exhaust pipe SHD-50-A-07(Ver 0)(Painted) ( has mould )	AC4B	1

47	YE90053000700	Thermocouple 5*36L*MB*2.5M Tubular (SD-10H-ALL-21 Ver 0)	Assembly	1
46	YR10501200100	Inner hopper fastener SEHD-50-A-12(Ver 0)(transparent silica gel)(has mould)	Transparent silica gel	1

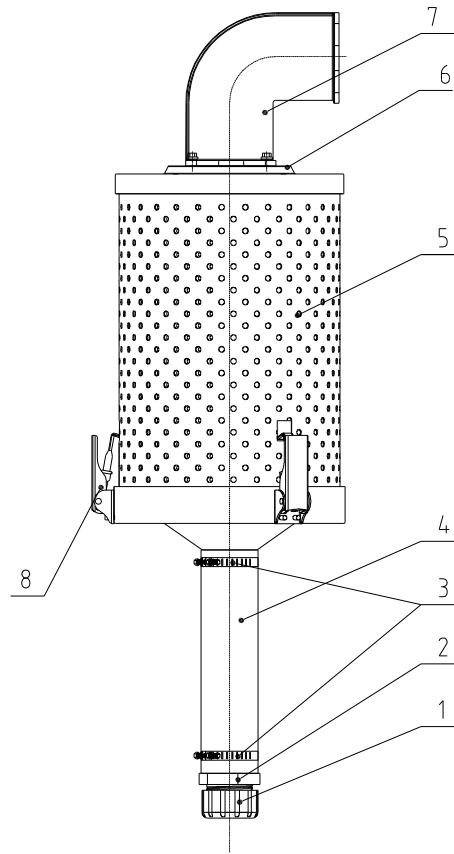
制图	版号	0	标题	SHD-50E-EC	图号	SHD-50E-EC-ALL	比例	1:1	数量	1
设计	核准		料斗干燥机400V					材质	/	
校对	日期		SHINI 信易电热机械股份有限公司		表面要求				/	
标记	更改前	更改后	更改人	日期	审核	日期	物料号		/	



18	YW67040600600	Cross recessed pan head tapping screw GB6560 M4x10-Longzine		2	
17	BL22080000220	Breaker fixed plate SAL-810G-B-05(has mould)	SPCC10	1	
16	YW67051000700	Cross recessed pan head tapping screw GB6560 M5x10 Longzine		4	
15	BL50135000020	Wire fixture fixed plate PG13.5 SG-S-01(has mould)	SPCC2.0	1	
14	YE67201500100	Copper-nickel-plated cable joint LT12-M20-15/2.5x4C for Cable)	Copper-nickel plated	1	
13	YE67001100000	Cable head PG11		1	
12	YE67000940000	Cable head PG9		3	
11	YW64000300100	Hex nut GB/T6170 M3-Longzine		1	
10	YW63030600000	Cross recessed pan head screw GB/T-823 M3x6-Longzine		1	
9	YW69020500000	Rivet GB/T 827 2x5		4	
8	YP30804900700	Aluminum plate nameplate (small) universal to the group 80~49mm	Aluminum	1	
7	YM60922500200	Exhaust fan - plastic air net 9225x124xVAC50/60Hz	Assembly	1	
6	SHD-50E-EC-A-01	control box	Weldment	1	
5	YW61041000100	cross socket counter sunk head screw GB819 M4x10-Longzine		4	
4	YW63040600000	Cross recessed pan head screw GB/T818 M4x6-Longzine		4	
3	YW90120700000	Aluminum cooler SD-40H-ALL-28(Ver All)black)	AL6063	1	
2	YW62050500000	Large cross socket flat head screw JS1111 M5x5-Longzine		8	
1	YR40090900000	Exhaust fan 3-in-1 dust-proof plastic screen 9x9		1	
序号	代号	名称	材料	数量	备注

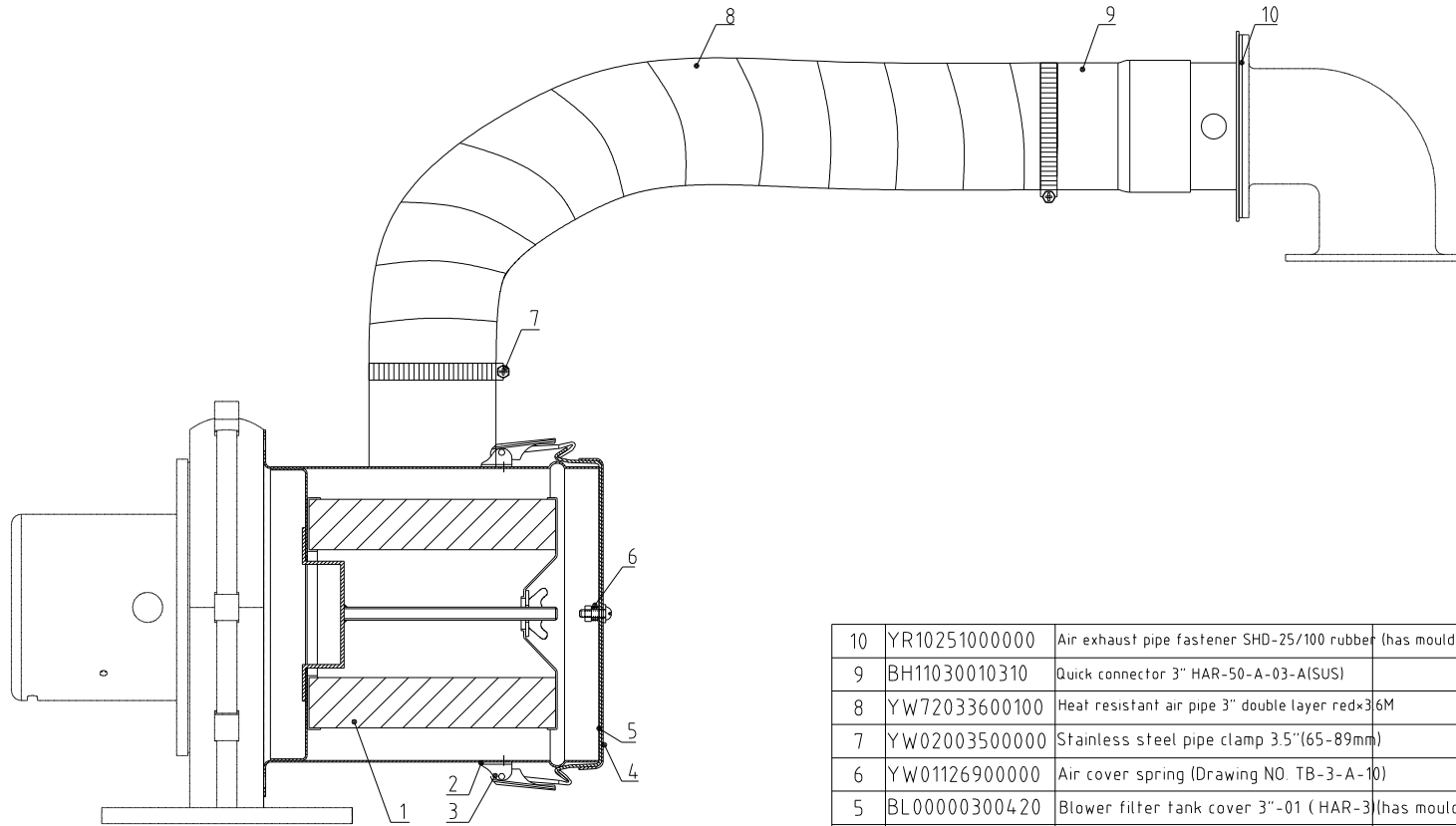
					制图	版号	标题	SHD-50E-EC	图号	比例	1:4	数量	1
					设计	核准	控制箱组件				材质		
					校对		SHINI 信易电热机械股份有限公司 Shini Plastics Technologies, Inc.				表面要求		
标记	更改前	更改后	更改人	日期	审核	日期				物料号			





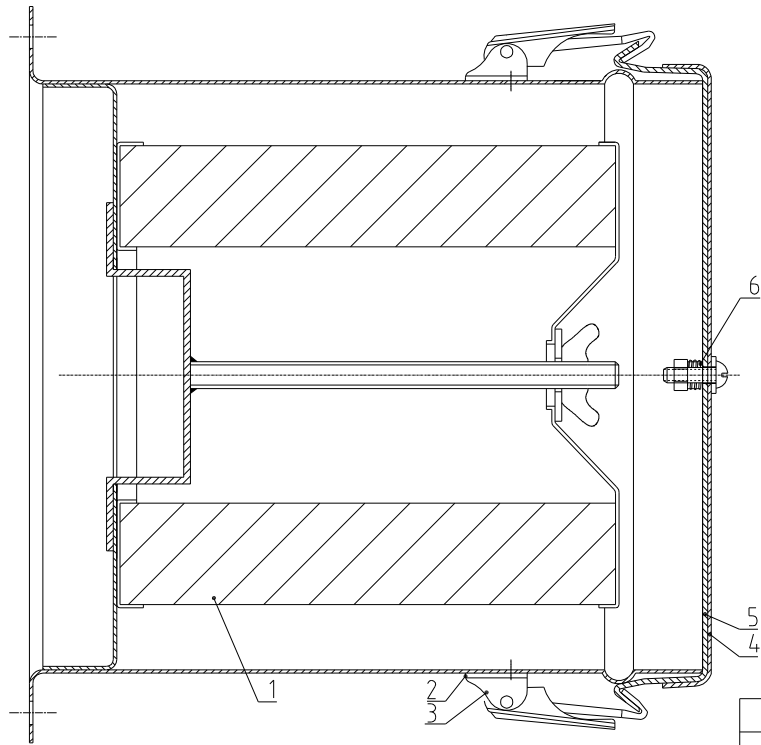
8	YW02003000400	Adjustable snap hook SAL-6U-A-35(Ver C)	3		
7	YW20002507000	Air exhaust pipe SHD-25EB-A-03(Ver 0)(longfeng)	1		
6	YR10251000000	Air exhaust pipe fastener SHD-25/100 rubber(has mould)	2		
5	YR50181100000	Filter ADC2 rubber fastener(SMD-1000H-A-ALL-09) Ver 0	1		
4	YE66515800000	PVC transparent hose 2" inner dia. 50mm±0.8mm	1		
3	YW02002500000	Steel wire hose 2.5"(40-64mm)	2		
2	YR40012500000	Plastics connector 1.25"	1		
1	YR40000000100	Bottom plug ADC-1-A-05 Ver 0(has mould)	1		
序号	代号	名称	材质	数量	备注

					制图		版号		标题	ADC-2	图号	ADC-2-ALL	比例	1:6	数量	1
					设计		核准		排风空气滤清器					材质		
					校对				<b>SHINI</b> 信易電熱機械股份有限公司 Shini Plastics Technologies, Inc.			表面要求				
标记	更改前	更改后	更改人	日期	审核		日期						物料号			



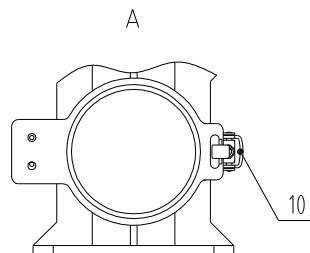
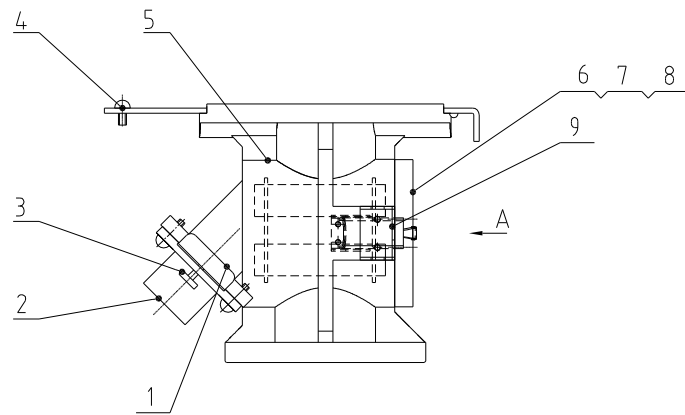
10	YR10251000000	Air exhaust pipe fastener SHD-25/100 rubber (has mould)	1		
9	BH11030010310	Quick connector 3" HAR-50-A-03-A(SUS)	1		
8	YW72033600100	Heat resistant air pipe 3" double layer red×3.6M	0.35		
7	YW02003500000	Stainless steel pipe clamp 3.5"(65-89mm)	2		
6	YW01126900000	Air cover spring (Drawing NO. TB-3-A-10)	1		
5	BL00000300420	Blower filter tank cover 3"-01 (HAR-3)(has mould)	1		
4	BL00000300320	Blower filter barrel air cover 3"-02 (HAR-3)(has mould)	1		
3	YW02003000400	Adjustable snap hook SAL-6U-A-35(Ver.C)	2		
2	YR40000600800	Snap hook plastic pad SAL-6U(white)(has mould)	2		
1	YR50138000000	Filter ADC14 foam rubber(AIF-12-A-ALL-01) Ver.0	1		
序号	代号	名称	材料	数量	备注

					制图	版号	标题	图号	比例	1:4	数量	1
					设计	核准	HAR-50	HAR-50-ALL			材质	
					校对		<b>信易電熱機械股份有限公司</b> <b>Shini Plastics Technologies, Inc.</b>		表面要求			
标记	更改前	更改后	更改人	日期	审核	日期			20200522	物料号		



6	YW01126900000	Air cover spring (TB-3-A-10)		1	
5	BL00000300420	Blower filter tank cover 3"-01 (HAR-3)(has mould)		1	
4	BL00000300320	Blower filter barrel air cover 3"-02 (HAR-3)(has mould)		1	
3	YW02003000400	Adjustable snap hook SAL-6U-A-35(Ver.C)		2	
2	YR40000600800	Snap hook plastic block SAL-6U(White)(has mould)		2	
1	YR50138000000	Filter ADC14 foam rubber (AIF-12-A-ALL-01) Ver.0		1	
序号	代号	名称	材料	数量	备注

					制图	版号	标题	图号	比例	1:2	数量	1
					设计	核准	AIF-50EB 风机入口过滤器	AIF-50EB-ALL			材质	
					校对		<b>信易電熱機械股份有限公司</b> <b>Shini Plastics Technologies, Inc.</b>		表面要求			
标记	更改前	更改后	更改人	日期	审核	日期			20200522	物料号		

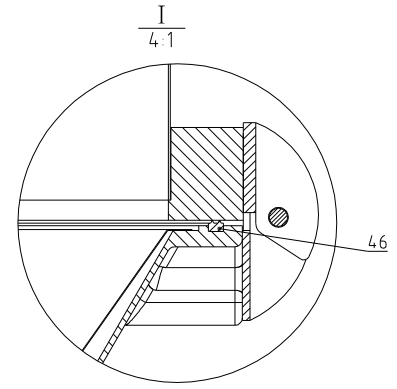
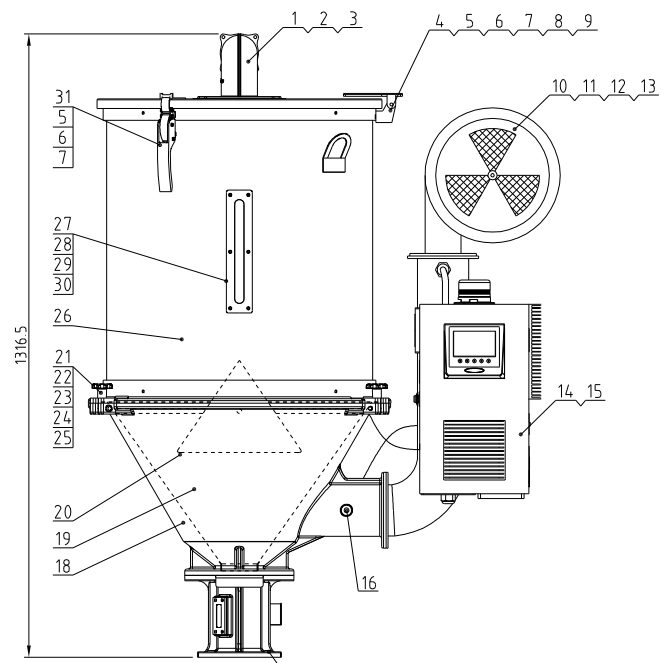
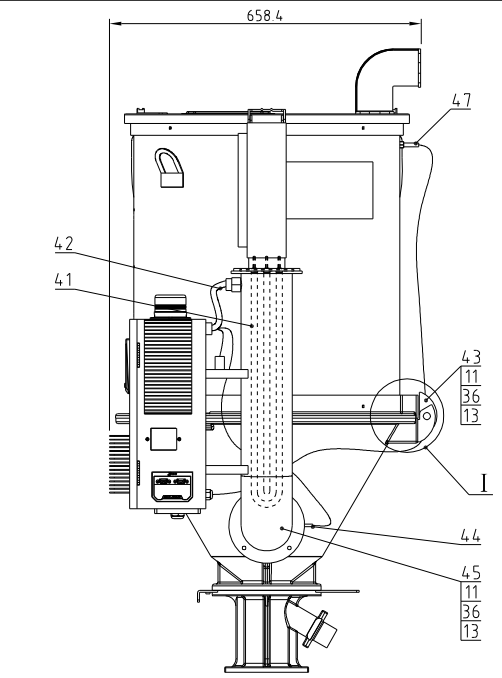


10	YW02003000400	Adjustable snap hook SAL-6U-A-35		1	
9	YW09050200000	Magnetic base hinge SCM-38-A-21/SGD-A-12 Ver.0(has mould)		1	
8	YW01005000100	Magnetic base spring SHD-50-A-101		1	
7	YW70097500000	Sight glass 50KG( $\phi 97 \times 5$ mm)SHD-50-A-106(Ver.C)		1	
6	BA10005000210	Magnetic base glass frame SHD-50-A-96-0(processed)(has mould)		1	
5	BA20005000310	Magnet base SHD-50-A-51(processed)(has mould)		1	
4	YW07001200000	Large shut-off plate HB-12-A-02(Ver.A)(has mould)		1	
3	YW69616100000	Hand screw M6 $\times$ 16 $\times$ 16		1	
2	YA10005000100	Discharge port (has mould)SEHD-50-ALL-0B(Ver.0)		1	
1	YW09125000000	Small shut-off plate HB-12/50 thickness: 14mm HB-12-A-03(Ver.0)(has mould)		1	

序号	代号	名称	材质	数量	备注
----	----	----	----	----	----

					制图	版号	标题	图号	比例	1:5	数量	1	
					设计	核准	MB-50 磁力底座	MB-50-ALL		材质			
					校对		信易電熱機械股份有限公司 Shini Plastics Technologies, Inc.				表面要求		
标记	更改前	更改后	更改人	日期	审核	日期					20130108		

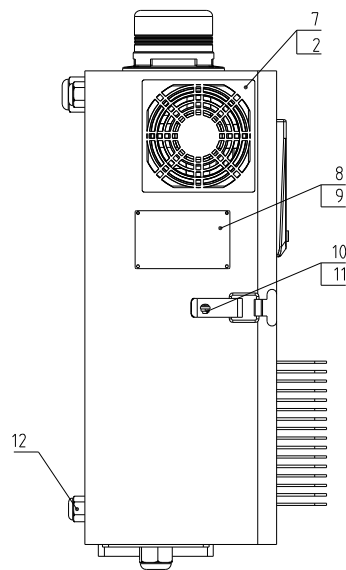
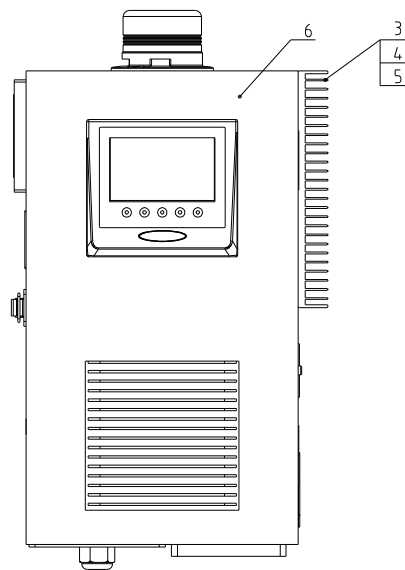
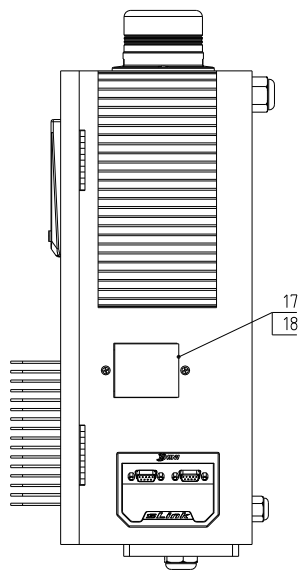
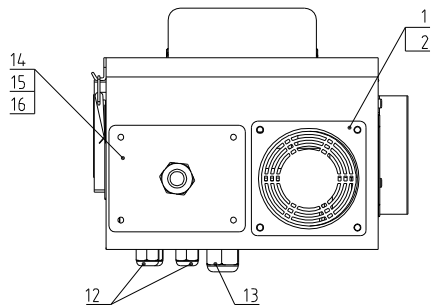
风车功率 Drying blower power	电机功率 Motor power	料桶容量 Hopper capacity	料桶版本号 Ver
50Hz:0.2kW	60Hz:0.24kW	6kW	100kg



45	YL01100000100	Hot air pipe SHD-100E-A-08 Drawing version 0 Long feng	Weldment	1
44	YE90056500700	Thermocouple S=55L=MB-1M Tubular (SEHD-50-ALL-07 Ver 0)	Assembly	1
43	YW90010000200	Hopper hinge SHD-100E-A-07 Drawing version 0 Large sleeve Long feng	Assembly	1
42	YE60122000100	High grade plastic coated metal hose φ120×132mm with zinc alloy outer thread M20×15 at both ends	Assembly	1
41	BH70103800050	Pipe heater SHD-100E-B-01 Drawing version 0 -8kW/310-400V	Assembly	1
40	YR10010040000	Cover fastener SHD-100white silica gel I has mould	white silica gel	1
39	YW90010002800	Cover SHD-100E-A-04 Drawing version 0 Long feng	stainless	1
38	YW62061000000	Large cross socket flat head screw JS1111 M6×10-Longzine		6
37	BL01121400120	Handle hook SHD-12E-A-14 Drawing version 0 has mould	SUS201	2
36	YW66081600000	Flat washer A grade GB/T197 18.4×16×1.6Longzine		12
35	YW60083000200	Hexagon bolt GB/T5783 M6×30-8.8-Longzine		4
34	BW09202000000	Square plate SEHD-100-A-09(Ver 0) has mould I	SPCC10	1
33	YW67030800000	Cross recessed pan head lapping screw GB6560 M3×8 Longzine		2
32	BE85018000350	Temperature protector K180 degrees Celsius line 0.5M (thermal protection normally open) with protective rubber sleeve I has mould	Assembly	1
31	YW00121000000	Handle SHD-25-A-08(Ver 0) has mould	Assembly	2
30	YW64000500000	Hexagonal nut M5 anti-loose		6
29	BW09000630040	Six holes sight glass(chrome plated) SEHD-12-A-16 Drawing version 0	SPCC20	1
28	YR40001200000	Acrylic six holes SEHD-12-A-12(Ver 0) Plastic: PC( has mould I)	PC	1
27	YR40000600000	Sight glass fastener six hole I has mould I( SEHD-12-A-11(Ver 0)	Rubber	1
26	SHD-100E-EC-A-ALL	Storage tank	Assembly	1
25	YW66000600000	Open check ring GB/T896 6		2
24	YW90661003800	Long hinge 66100/200/400(Long feng)	O235	2
23	YW66103200000	Flat washer A grade GB/T196 10/10.5×30×2.5-Longzine		2
22	YW90001200400	Small star ring screw M10×4.0 SHD-12EB(Long feng)200 sets/box	O235	2
21	YW90001200300	Small star ring screw SHD-12EB(Long feng)200 sets/box	knrsite	2
20	BL01100600220	Upper screen SHD-100E-A-06 Drawing Ver 0	SUS201	1
19	YL01010000200	Lower screen assembly SHD-100E-A-05 Drawing version 0 Long feng	SUS201	1
18	YW20100003500	Hopper SHD-100E-A-03 Drawing version 0 hole spacing φ: 135.4×φ: 10 through-hole Long feng	AC4B	1
17	BY10010000850	Base assembly SHD-100E(Long feng)	Assembly	1
16	YW80010200100	Plug 1/4		1
15	YW67051000700	Cross recessed pan head lapping screw GB6560 M5×10Longzine		4
14	SHD-50E-EC-A-ALL	Control box assembly	Assembly	1
13	YW65008000100	Standard spring washer GB/T193 8-Longzine		16
12	YW66081900000	Flat gasket 8×19×2 0 Longzine		4
11	YW60082500100	Hexagon bolt GB/T5783 M6×25-12.9-Longzine		12
10	YM40340000200	Blower 3"110E13φ380V-615V/50/60Hz/200W/240W	Assembly	1
9	YW64000800100	Non-metal insert hexagon nut GB/T889.1 M6		2
8	YW60830000000	Inner hexagon cylinder head screw GB/T170.1 M6×30-Az-70(SUS)		2
7	YW65006000100	Standard spring washer GB/T193 6-Longzine		8
6	YW66061300000	Flat washer A grade GB/T191 6-Longzine		8
5	YW60061200000	Hexagon bolt GB/T5783 M6×12-12.9-Longzine		8
4	YW90010000100	Hopper hinge SHD-100E-A-09 Drawing version 0 Large sleeve Long feng	Assembly	1
3	YW63061500000	Cross recessed pan head screw GB/T-818 M6×15-Longzine		4
2	YR10500900300	Air exhaust pipe fastener SEHD-50-A-10(Ver 0)(Rubber) has mould I	Rubber	1
1	BA10500707010	Air exhaust pipe SEHD-50-A-01(Ver 0)(Painted) has mould I	AC4B	1

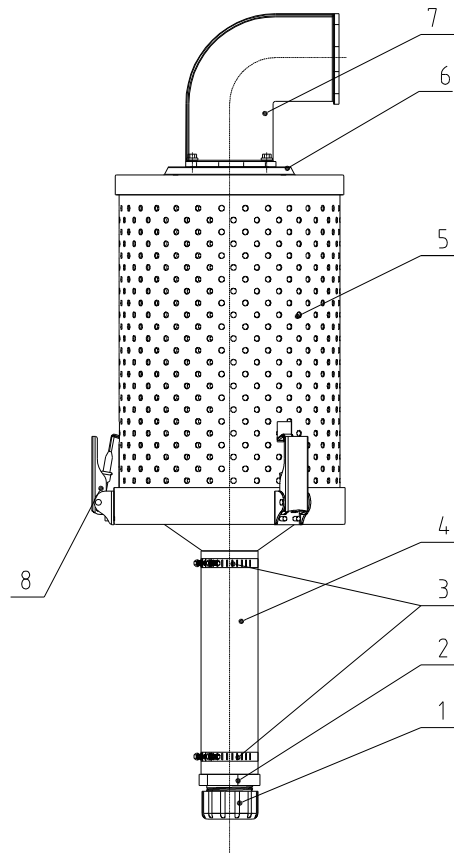
47	YE90530800400	Thermocouple S=30L=MB-3M Tubular SED-230U/120H-ALL-08 Ver 0	Assembly	1
46	YR20861000100	Sealing port silica gel strip 8-61100/200/400(Longfeng)	silical gel	1

制图	版号	标题	图号	比例	数量
设计	核	SHD-100E-EC	SHD-100E-EC-ALL	1:10	1
校对	准	料斗干燥机400V		材质	/
标记	日期	SHINI 信易电热机械股份有限公司 Shini Plastics Technologies, Inc.		表面要求	/
更改前	更改后	更改人	日期	物料号	/



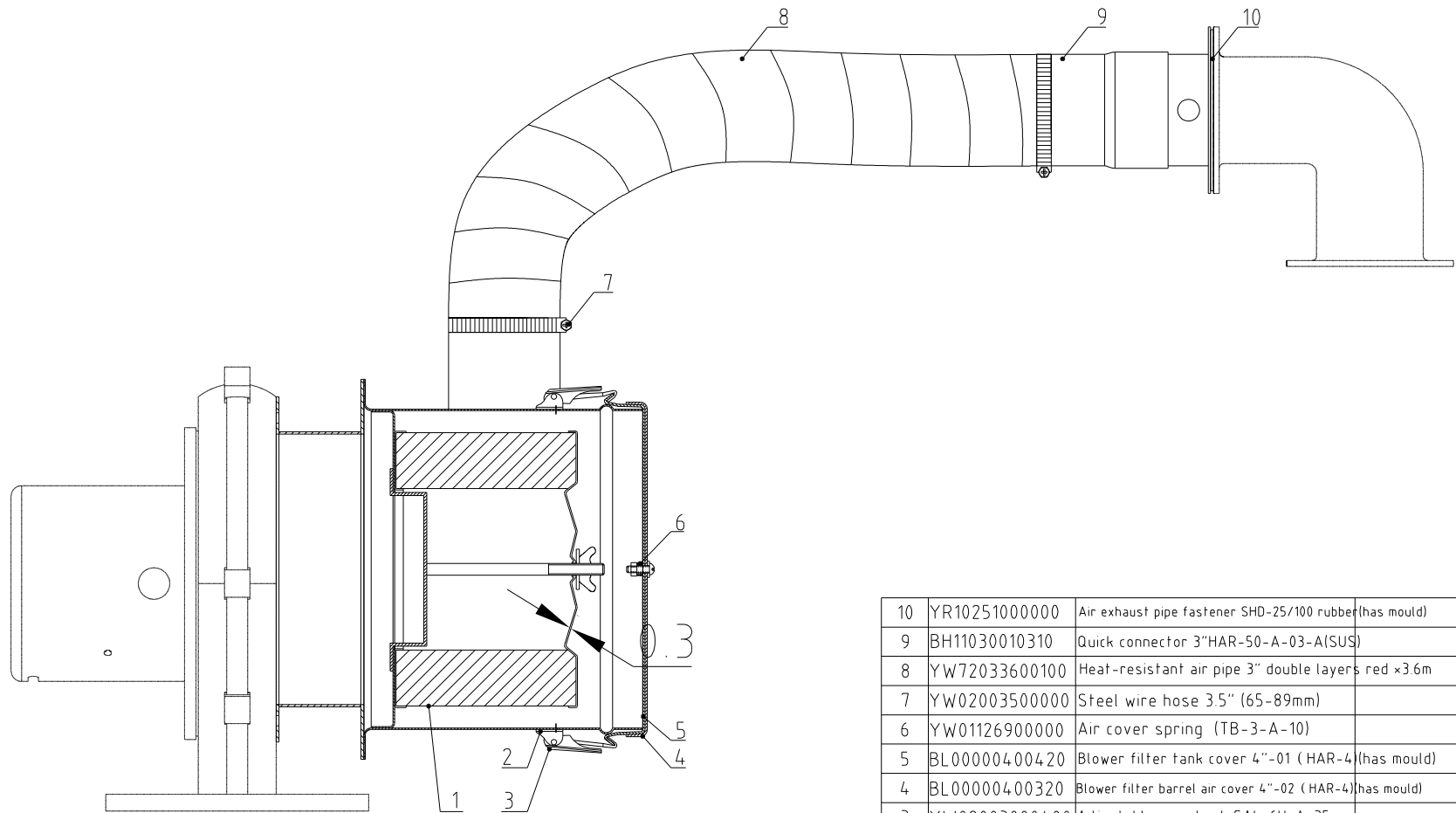
18	YW67040600600	Cross recessed pan head tapping screw GB6560 Mx6-Longzine		2	
17	BL22080000220	Breaker fixed plate SAL-810G-B-05(has mould)	SPCC10	1	
16	YW67051000700	Cross recessed pan head tapping screw GB6560 M5x10-Longzine		4	
15	BL50135000020	Wire clamp fixed plate PG135 SG-S-01(has mould)	SPCC20	1	
14	YE67201500100	copper-nickel-plated cable joint (LT12-M20x15/2.5x4C for cable)	copper-nickel-plated	1	
13	YE67001100000	Cable head PG11		1	
12	YE67000940000	Cable head PG9		3	
11	YW64000300100	Hex nut GB/T6170 M3-Longzine		1	
10	YW63030600000	Cross recessed pan head screw GB/T-823 M3x6-Longzine		1	
9	YW69020500000	Rivet GB/T 827 2x5		4	
8	YP30804900700	Aluminum plate nameplate (small universal to the group 80x9mm)	Aluminum	1	
7	YM60922500200	Exhaust fan - plastic air net 922x124x450/60Hz	Assembly	1	
6	SHD-50E-EC-A-01	Control box	Weldment	1	
5	YW61041000100	Cross socket counter sunk head screw GB819 Mx10-Longzine		4	
4	YW63040600000	Cross recessed pan head screw GB/T818 Mx6-Longzine		4	
3	YW90120700000	Aluminum cooler SD-40H-ALL-28(Ver 01)black)	AL6063	1	
2	YW62050500000	Large cross socket flat head screw JS1111 M5x5-Longzine		8	
1	YR40090900000	Exhaust fan 3-in-1 dust-proof plastic screen 9x9		1	
序号	代号	名称	材料	数量	备注

					制图	版号	标题	SHD-50E-EC	图号	比例	1:4	数量	1
					设计	核准	控制箱组件				材质		
					校对		信易电热机械股份有限公司 Shini Plastics Technologies, Inc.		表面要求				
标记	更改前	更改后	更改人	日期	审核	日期				物料号			



8	YW02003000400	Adjustable snap hook SAL-6U-A-35(Ver C)	3		
7	YW20002507000	Air exhaust pipe SHD-25EB-A-03(Ver 0)(longfeng)	1		
6	YR10251000000	Air exhaust pipe fastener SHD-25/100 rubber(has mould)	2		
5	YR50181100000	Filter ADC2 rubber fastener (SMD-1000H-A-ALL-09) Ver.0	1		
4	YE66515800000	PVC transparent hose 2" inner dia. 50mm±0.8mm	1		
3	YW02002500000	Steel wire hose 2.5"(40-64mm)	2		
2	YR40012500000	Plastics connector 1.25"	1		
1	YR40000000100	Bottom plug ADC-1-A-05 Ver 0(has mould)	1		
序号	代号	名称	材质	数量	备注

					制图		版号		标题	ADC-2	图号	ADC-2-ALL	比例	1:6	数量	1
					设计		核准		排风空气滤清器						材质	
					校对				<b>SHINI</b> 信易電熱機械股份有限公司 Shini Plastics Technologies, Inc.				表面要求			
标记	更改前	更改后	更改人	日期	审核		日期							物料号		



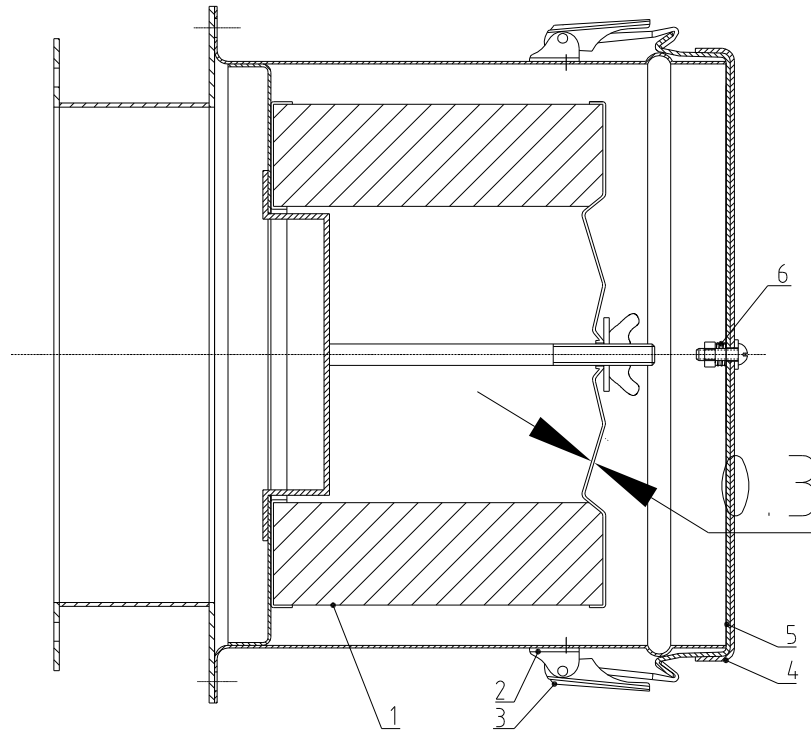
10	YR10251000000	Air exhaust pipe fastener SHD-25/100 rubber(has mould)	1		
9	BH11030010310	Quick connector 3"HAR-50-A-03-A(SUS)	1		
8	YW72033600100	Heat-resistant air pipe 3" double layers red x3.6m	0.35		
7	YW02003500000	Steel wire hose 3.5" (65-89mm)	2		
6	YW01126900000	Air cover spring (TB-3-A-10)	1		
5	BL000004.004.20	Blower filter tank cover 4"-01 (HAR-4)(has mould)	1		
4	BL000004.003.20	Blower filter barrel air cover 4"-02 (HAR-4)(has mould)	1		
3	YW020030004.00	Adjustable snap hook SAL-6U-A-35	2		
2	YR40000600800	Snap hook plastic pad SAL-6U(white)(has mould)	2		
1	YR50708000100	Filter 189x115x125 SAL-700G-A-20(Ver.0)(rubber fastener)	1		
序号	代号	名称	材料	数量	备注

					制图	黄学明	版号	0	标题	HAR-100EB	图号	HAR-100EB-A-ALL	比例	1:4	数量	1
					设计	黄学明	核准			熱風回收器						
					校对											
标记	更改前	更改后	更改人	日期	审核		日期	20200917					表面要求			
													物料号			



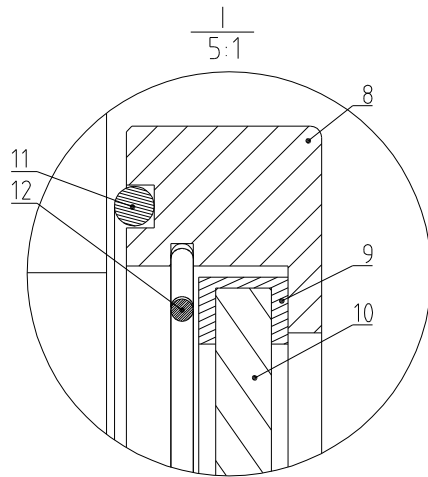
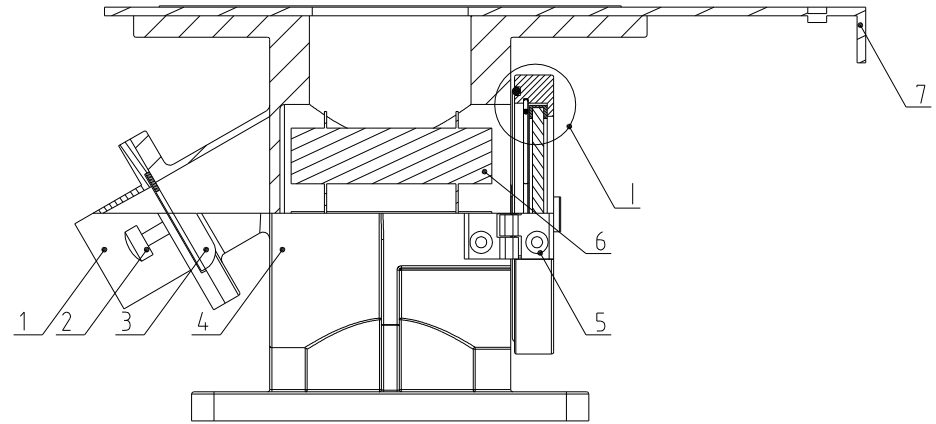
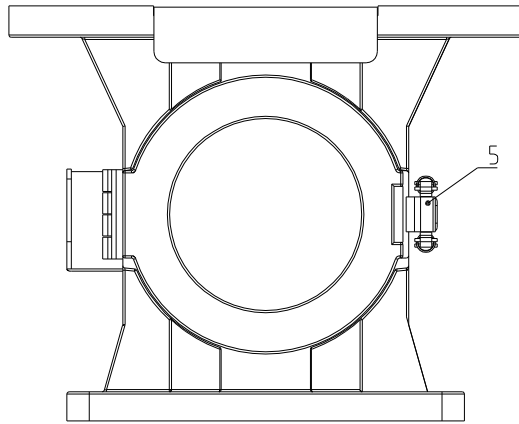
信易電熱機械股份有限公司  
Shini Plastics Technologies, Inc.





6	YW01126900000	Air cover spring (TB-3-A-10)		1	
5	BL000004.00420	Blower Filter tank cover 4"-01 (HAR-4)(has mould)		1	
4	BL000004.00320	Blower filter barrel air cover 4"-02(HAR-4)(has mould)		1	
3	YW02003000400	Adjustable snap hook SAL-6U-A-35		2	
2	YR40000600800	Snap hook plastic pad SAL-6U(white)(has mould)		2	
1	YR50708000100	Filter 189x115x125 SAL-700G-A-20(Ver 0)(Rubber fastener)		1	
序号	代号	名称	材料	数量	备注

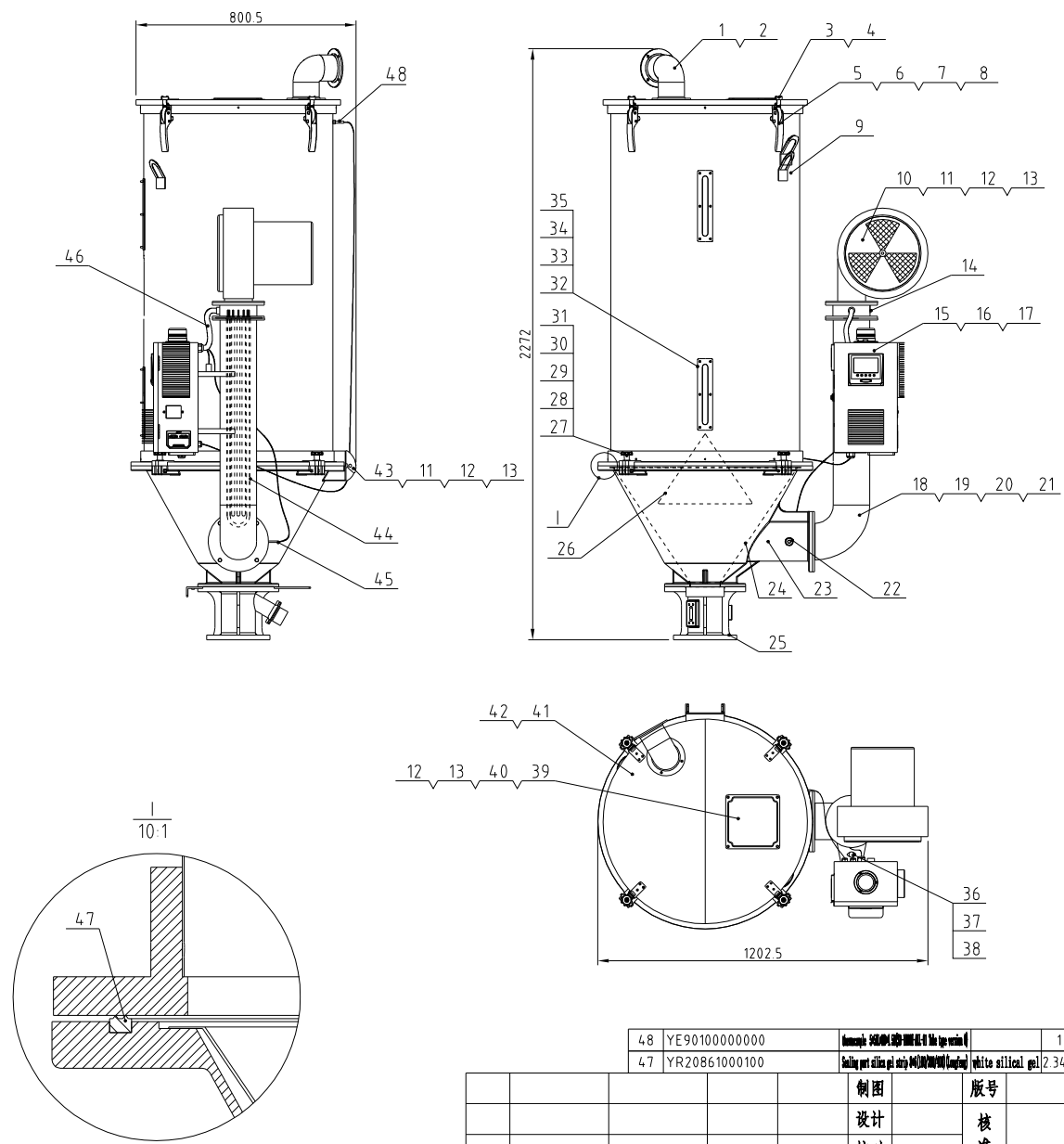
					制图	版号	标题	图号	比例	1:2.5	数量	1
					设计	核准	AIF-100EB 风机入口过滤器	AIF-100EB-A-ALL		材质		
					校对		<b>信易電熱機械股份有限公司</b> <b>Shini Plastics Technologies, Inc.</b>	表面要求				
标记	更改前	更改后	更改人	日期	审核	日期		20200917	物料号			



12	YA10030408000	Magnetic base 304 clamp 25-150KG(Longfeng)	1		
11	YA10254008800	Magnetic base Oil seal 25-150KG(Longfeng)	1		
10	YA10254008000	Magnetic base glass 25-150KG(Longfeng)	1		
9	YA10040008800	Magnetic base glass ring 25-150KG(Longfeng)MB-100EB-A-01(Ver.0)	1		
8	YA10251508000	Magnetic base aluminum ring 25-150KG(Longfeng)	1		
7	YW90010002900	Large mop HB-100EB-A-02 (version 0) (width 100) (Longfeng) 20 pieces/box	1		
6	BA90251508010	Magnetic frame 25-150KG (Longfeng) 40 pieces/box	1		
5	YW09254008000	Magnetic base hinge/Buckle 25-400KG(Longfeng)	1		
4	BW20101500010	Magnetic base 100-150KG(Longfeng)(painted)	1		
3	YW90125003000	Small mop HB-12EB-A-03 (version 0) (width 50) 100 pieces/box	1		
2	YW69616100000	Hand screw M6×16×16	1		
1	YW20255001000	Discharge port HB-25EB-A-02 (version A) (Longfeng)	1		
序号	代号	名称	材质	数量	备注

					制图	版号	标题	图号	比例	1:3	数量	1
					设计	核准	MB-100EB	MB-100EB-ALL		材质		
					校对		磁力底座					
标记	更改前	更改后	更改人	日期	审核	日期	20200522	<b>信易電熱機械股份有限公司</b> <b>Shini Plastics Technologies, Inc.</b>		表面要求		
									物料号			

风车功率 Drying blower power	电热管功率 Heater power	料桶容量 Hopper capacity	机匣版本号 Hopper version
50Hz:0.35kW 60Hz:0.42kW	15kW	300kg	Ver.D



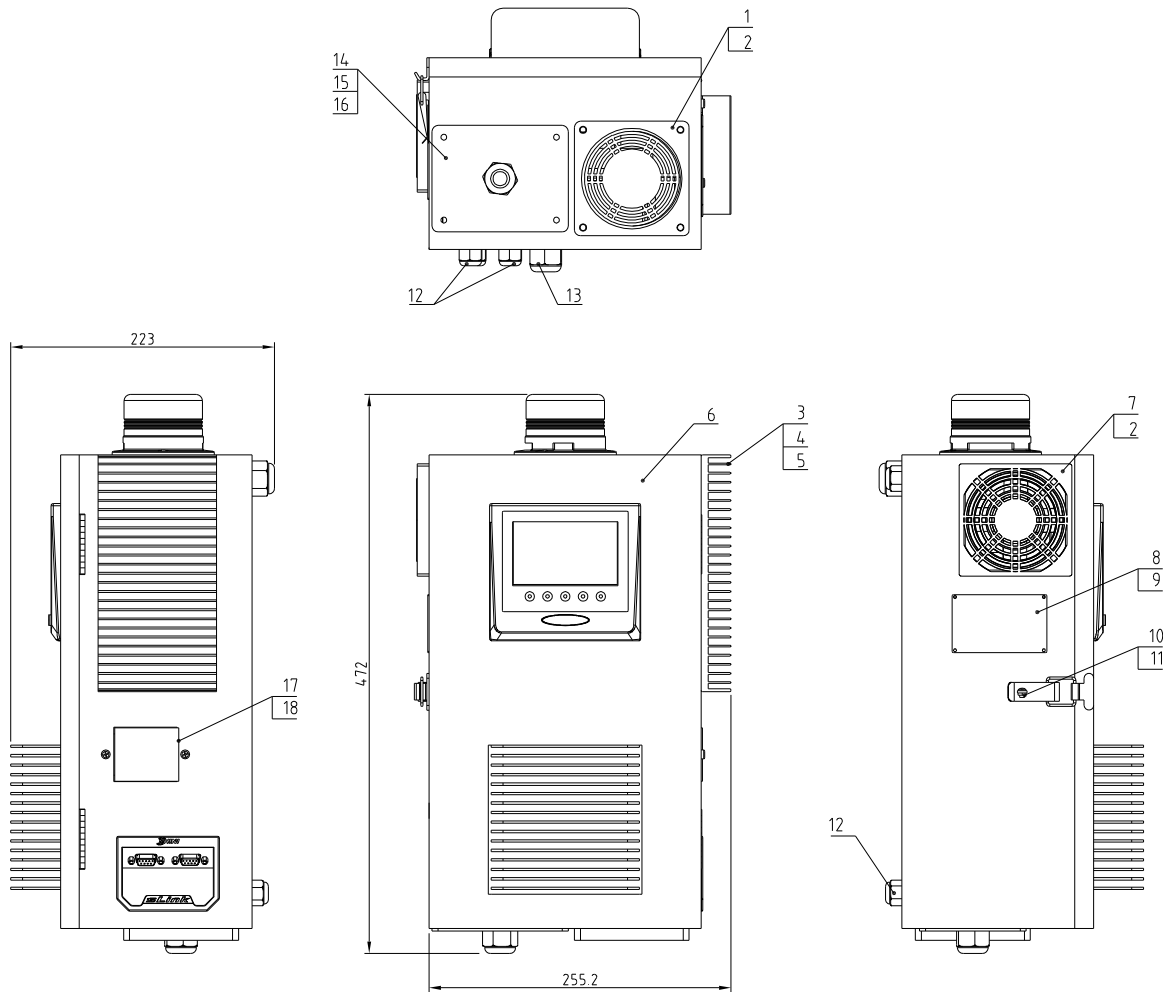
46	YE60122400100	Motor	Assembly	1
45	YE90059301300	Motor	Assembly	1
44	BH70030001450	Motor	Assembly	1
43	YW90204.003300	Motor	Assembly	1
42	YR1001004.0000	Motor	white silica gel	2
41	YW90020002800	Motor	SPCC1.8	1
40	YW60083000200	Motor		4
39	BW09202000000	Motor	SPCC1.0	1
38	YW64000300100	Motor		2
37	YE50380000000	Motor		2
36	BE85018000350	Motor	Assembly	1
35	YW64.000500000	Motor		12
34	BW09000630040	Motor	SPCC2.0	2
33	YR40001200000	Motor	PC	2
32	YR4.00006000000	Motor	rubber	2
31	YW66000600000	Motor	B-rings GB/T896 6	4
30	YW90661003800	Motor	Q235	4
29	YW66103200000	Motor		4
28	YW90012400200	Motor	Q235	4
27	YW90012400100	Motor	Zinc alloy	4
26	BL01200800220	Motor	SUS201	1
25	BY10020003850	Motor	Assembly	1
24	YL01020000200	Motor	SUS201	1
23	YW20020001500	Motor	AC4B	1
22	YW80010200100	Motor	plug 1/4	1
21	YW65012000000	Motor		4
20	YW66024.130000	Motor		4
19	YW60124500000	Motor		4
18	YW20020002100	Motor	AC4B	1
17	YW67051000700	Motor		4
16	YW67040600600	Motor		4
15	SHD-50E-EC-A-ALL	Control box assembly		1
14	YW20020000200	Motor	AC4B	1
13	YW66081600000	Motor		20
12	YW65008000100	Motor		20
11	YW60082500100	Motor		20
10	YM4.0020003200	Motor	Assembly	1
9	SHD-300E-EC-A-01	Storage hopper	Assembly	1
8	YW65006000100	Motor		8
7	YW66061300000	Motor		8
6	YW60061200000	Motor		8
5	YW00121000000	Motor	Assembly	4
4	YW62061000000	Motor		16
3	BL011214.00120	Motor		4
2	YW63061500000	Motor		4
1	YW20020001800	Motor	AC4B	1

48	YE90100000000	Motor	1	1	YW20020001800	Motor	AC4B	1
47	YR20861000100	Motor	white silica gel	2.34M				

制图	版号	标题	SHD-300E-EC	图号	
设计	核准	料斗干燥机(400V)			
校对					
标记	更改前	更改后	更改人	日期	审核

比例	1:16	数量	
表面要求		物料号	

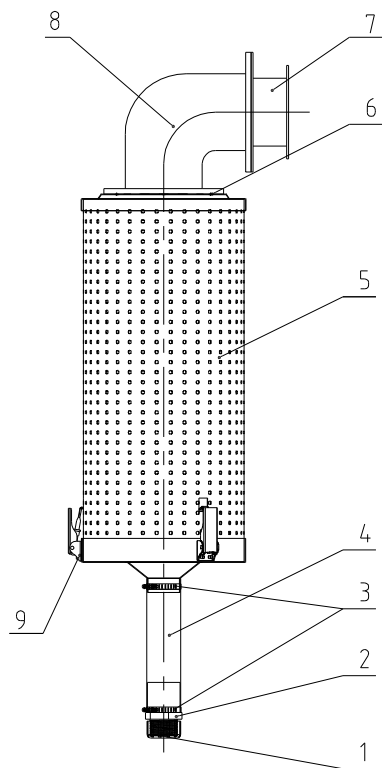




18	YW67040600600	Cross recessed pan head tapping screw GB6560 M4x6-Longzine	Longzine	2	
17	BL22080000220	Breaker fixed plate SAL-810G-B-05(has mould)	SPCC10	1	
16	YW67051000700	Cross socket pan head self-tapping lock screw GB6560 M5x10 Longzine		4	
15	BL50135000020	Fixing board of wire clamps PG13 5 5G-S-0(has mould)	SPCC2.0	1	
14	YE67201500100	Copper nickel plated cable connector 4T12-M20=15/2.5+5C For cable	Copper nickel plated	1	
13	YE67001100000	Cable head PG11		1	
12	YE67000940000	Cable head PG9		3	
11	YW64000300100	Hexagonal nut GB/T6170 M3-Longzine		1	
10	YW63030600000	Cross recessed pan head screw GB/T-823 M3x6-Longzine		1	
9	YW69020500000	Rivet GB/T 827 2x5		4	
8	YP30804900700	Aluminum plate nameplate (small) universal to the group 80x49mm	Aluminum	1	
7	YM60922500200	Exhaust fan - plastic air net 3225A12VAC50/60Hz	Assembly	1	
6	SHD-50E-EC-A-01	Control box	Weldment	1	
5	YW61041000100	Cross socket counter sunk head screw GB819 M4x10-Longzine		4	
4	YW63040600000	Cross recessed pan head screw GB/T818 M4x6-Longzine		4	
3	YW90120700000	Aluminum cooler SD-40H-ALL-28(Iver Allblack)	AL6063	1	
2	YW62050500000	Cross socket flat-head screw JS1111 M5x5-Longzine		8	
1	YR40090900000	Exhaust fan 3-in-1 dust-proof plastic screen 9x9		1	

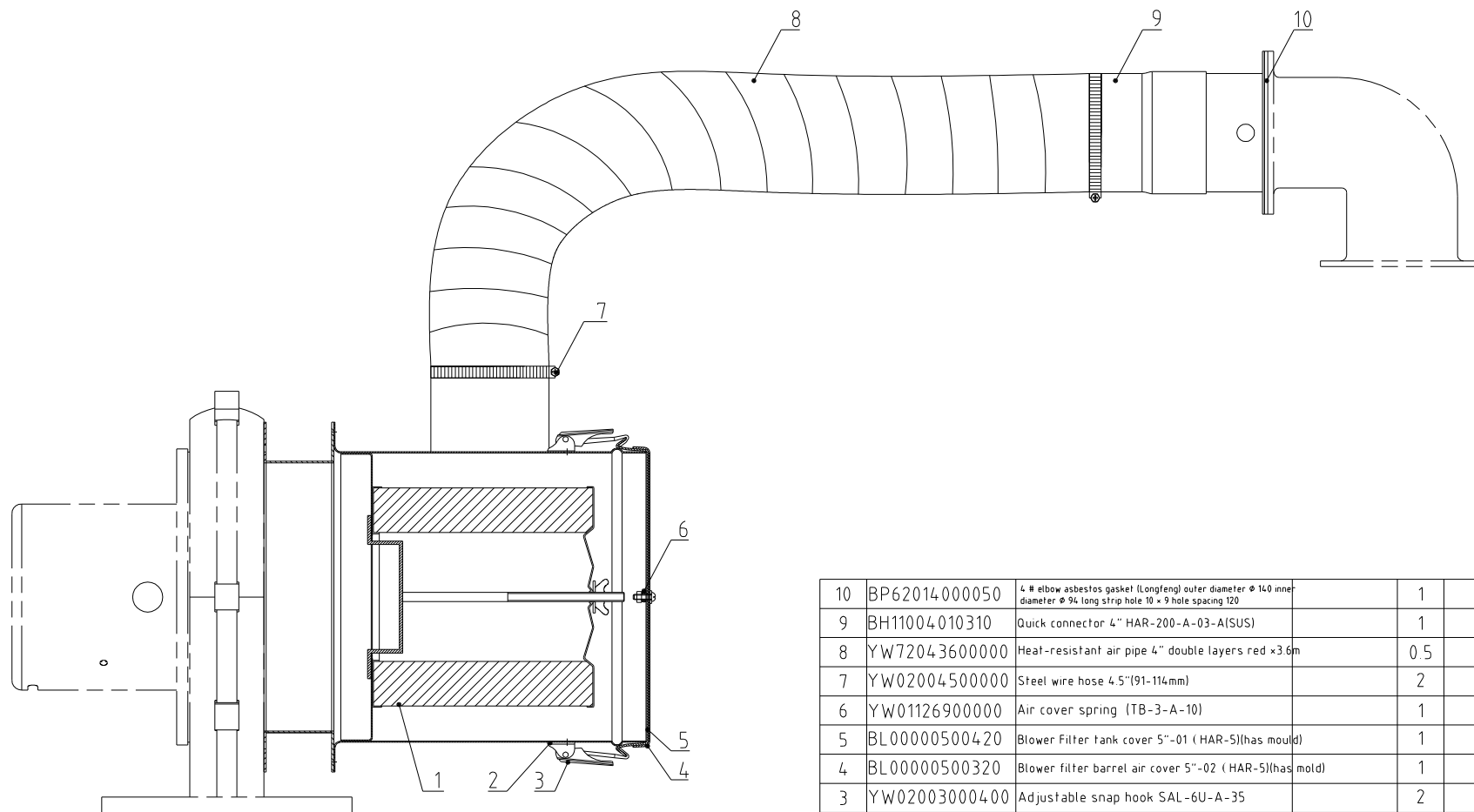
序号 代号 名称 材料 数量 备注

					制图	版号	标题	图号	比例	数量
					设计	核准	SHD-50E-EC	SHD-50E-EC-A-ALL	1:4	
					校对		控制箱组件			材质
标记	更改前	更改后	更改人	日期	审核	日期	SHINI 信易电热机械股份有限公司 Shini Plastics Technologies, Inc.		表面要求	物料号



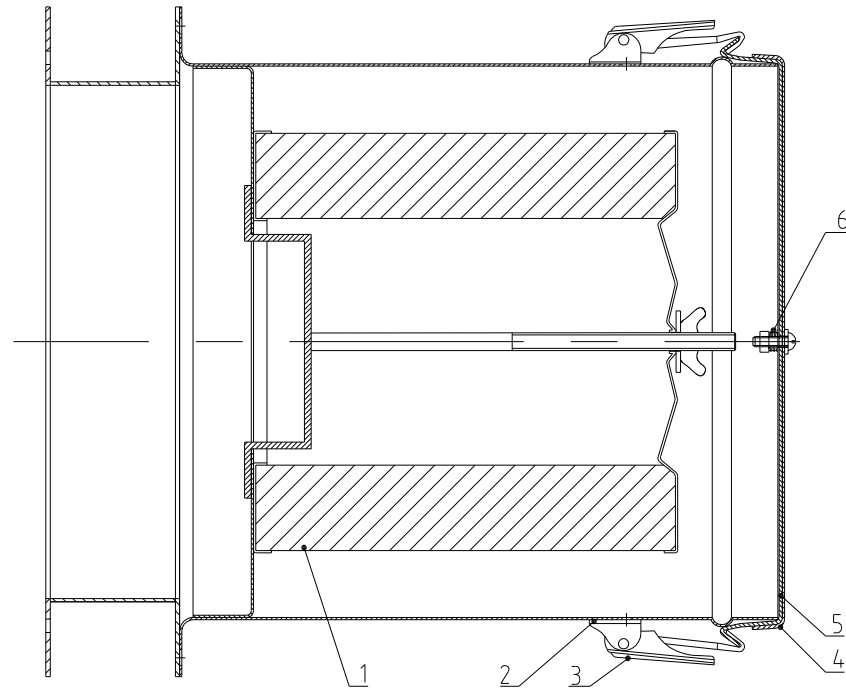
9	YW02003000400	Adjustable spring buckle SAL-6U-A-35(Ver.C)	3		
8	BA10020000210	Air exhaust pipe SEHD-200-A-14(200/1000) (Ver.0)(painted) (has mould)	1		
7	BL90000300120	adapter flange ADC-3EB-A-01(Ver.0)	1		
6	YR10204000000	Air exhaust pipe fastener SEHD-200-A-15(ver.0) rubber(has mould)	2		
5	YR50241400100	Filter ADC3 rubber fastenre (SMD-2000H-A-ALL 11) Ver B	1		
4	YE66515800000	PVC transparent hose 2" 50mm×0.8mm	1		
3	YW02002500000	Steel wire hose 2.5"(40-64mm)	2		
2	YR40012500000	Plastics connector 1.25"	1		
1	YR40000000100	Bottom plug ADC-1-A-05 Ver.0(has mould)	1		
序号	代号	名称	材质	数量	备注

					制图		版号		标题	ADC-3EB	图号	ADC-3EB-ALL	比例	1:10	数量	1
					设计		核准		排风空气滤清器						材质	
					校对				<b>SHINI</b> 信易電熱機械股份有限公司 Shini Plastics Technologies, Inc.			表面要求				
标记	更改前	更改后	更改人	日期	审核		日期			物料号						



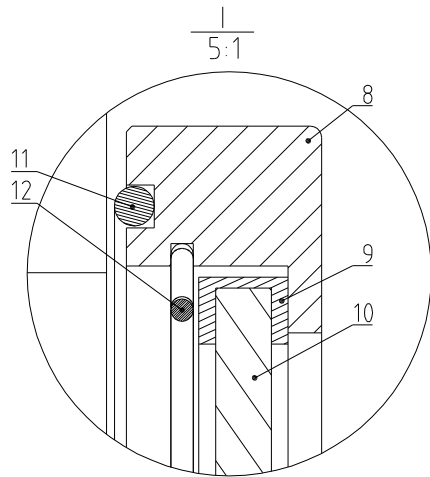
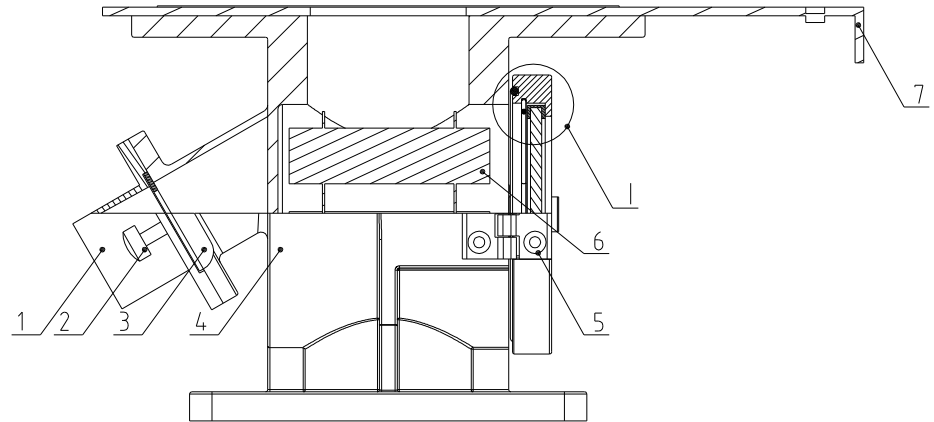
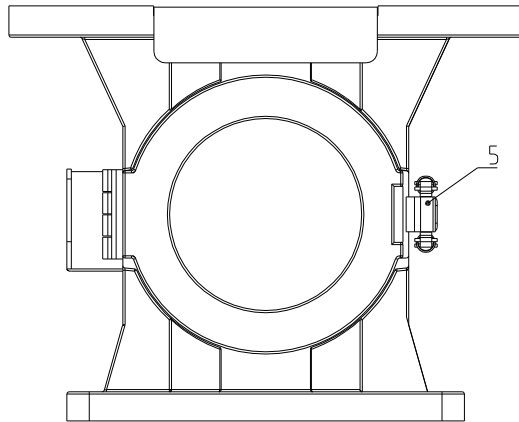
10	BP62014000050	4" elbow asbestos gasket (longfeng) outer diameter $\phi$ 140 inner diameter $\phi$ 94 long strip hole 10 $\times$ 9 hole spacing 120		1	
9	BH11004010310	Quick connector 4" HAR-200-A-03-A(SUS)		1	
8	YW72043600000	Heat-resistant air pipe 4" double layers red $\times$ 3.6m		0.5	
7	YW02004500000	Steel wire hose 4.5"(91-114mm)		2	
6	YW01126900000	Air cover spring (TB-3-A-10)		1	
5	BL00000500420	Blower Filter tank cover 5"-01 (HAR-5)(has mould)		1	
4	BL00000500320	Blower filter barrel air cover 5"-02 (HAR-5)(has mold)		1	
3	YW02003000400	Adjustable snap hook SAL-6U-A-35		2	
2	YR40000600800	Snap hook plastic pad SAL-6U(white)(has mould)		2	
1	YR50181900000	Filter HAR outer 188 $\times$ inner 114/88 $\times$ height 191		1	
序号	代号	名称	材料	数量	备注

					制图	版号	标题	图号	比例	1:5	数量	1
					设计	核准	HAR-200EB	HAR-200EB-ALL		材质		
					校对		热风回收器			表面要求		
标记	更改前	更改后	更改人	日期	审核	日期	20200917	<b>信易电热机械股份有限公司</b> <b>Shini Plastics Technologies, Inc.</b>	物料号			



6	YW01126900000	Air cover spring (TB-3-A-10)		1	
5	BL00000500420	Filter tank cover 5"-01(HAR-5)(has mould)		1	
4	BL00000500320	Blower filter barrel air cover 5"-02 (HAR-5)(has mold)		1	
3	YW02003000400	Adjustable snap hook SAL-6U-A-35		2	
2	YR40000600800	Snap hook plastic pad SAL-6U(white)(has mould)		2	
1	YR50181900000	Filter HAR outer 188 × inner 114/88 × height 191		1	
序号	代号	名称	材料	数量	备注

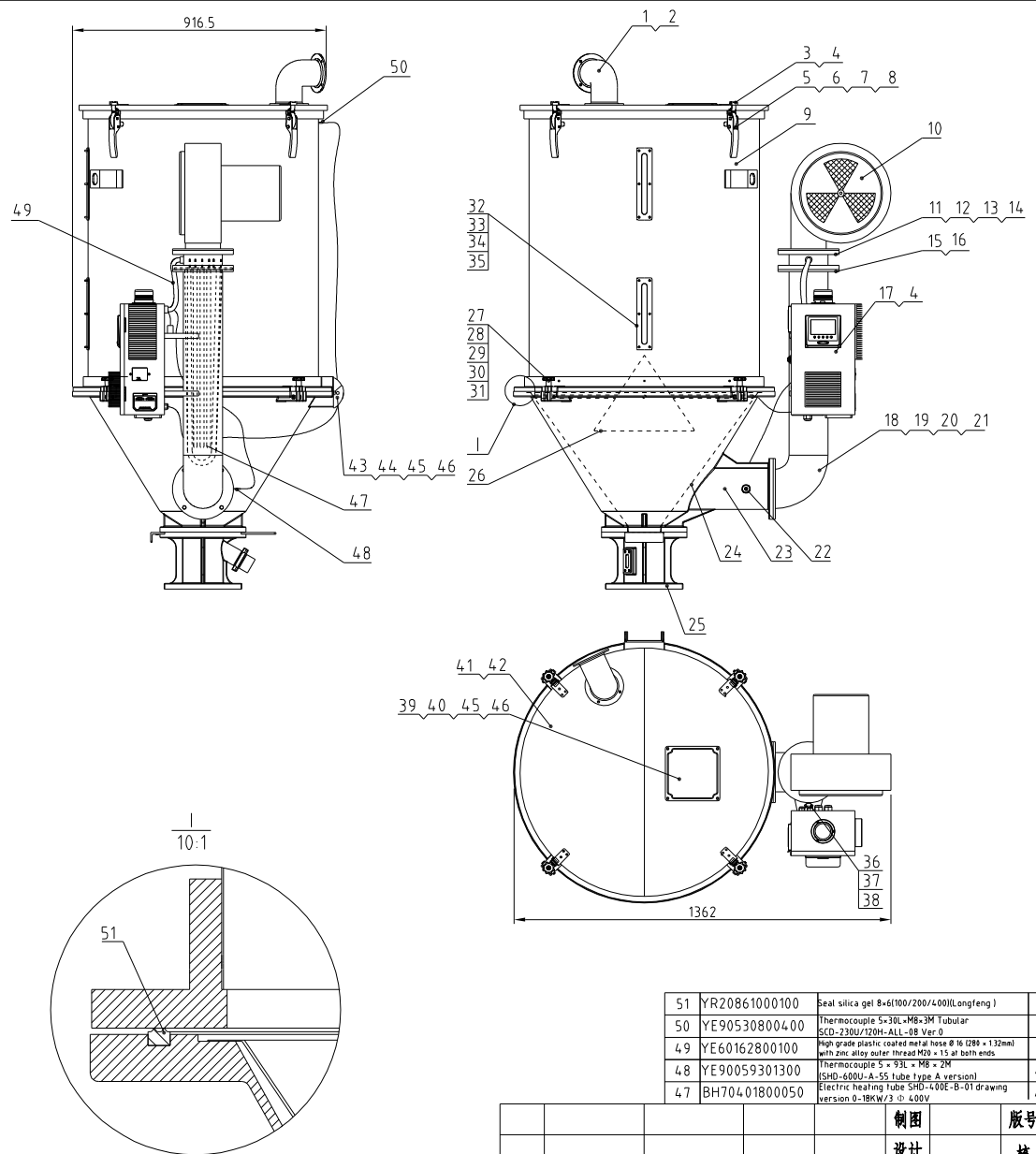
					制图	版号	标题	图号	比例	1:3	数量	1
					设计	核准	AIF-200EB 风机入口过滤器	AIF-200EB-ALL		材质		
					校对		日期	<b>信易電熱機械股份有限公司</b> <b>Shini Plastics Technologies, Inc.</b>	表面要求			
标记	更改前	更改后	更改人	日期	审核	日期			20200917		物料号	



12	YA10030406000	Magnetic base 304 clamp 200-400KG (Longfeng)		1	
11	YA10203006000	Magnetic base oil seal 200/300KG (Longfeng)		1	
10	YA10204006000	Magnetic base glass 200-400KG (Longfeng)		1	
9	YA10240006000	Magnetic base glass rubber ring 200-400KG(Longfeng)		1	
8	YA10020008000	Magnetic base aluminum ring 200KG large (Longfeng)		1	
7	YW90020002900	Large mop HB-200EB-A-03 (version 0) (width 140) (Longfeng)		1	
6	BA90020008010	Magnetic frame 200KG large (Longfeng)		1	
5	YW09254008000	Magnetic base hinge/buckle 25-400KG(Longfeng)		1	
4	BW20020000710	Magnetic base 200KG large (Longfeng) (spray painted)		1	
3	YW90020003000	Small mop HB-200EB-A-04 (version 0) (width 60)		1	
2	YW69616100000	Hand screw M6×16×16		1	
1	YW20020001900	Discharge port HB-200EB-A-02 (version A) (Longfeng)		1	
序号	代号	名称	材质	数量	备注

					制图	版号	标题	图号	比例	1:3	数量	1
					设计	核准	MB-200EB 磁力底座	MB-200EB-ALL		材质		
					校对		信易電熱機械股份有限公司 Shini Plastics Technologies, Inc.			表面要求		
标记	更改前	更改后	更改人	日期	审核	日期			20200522		物料号	





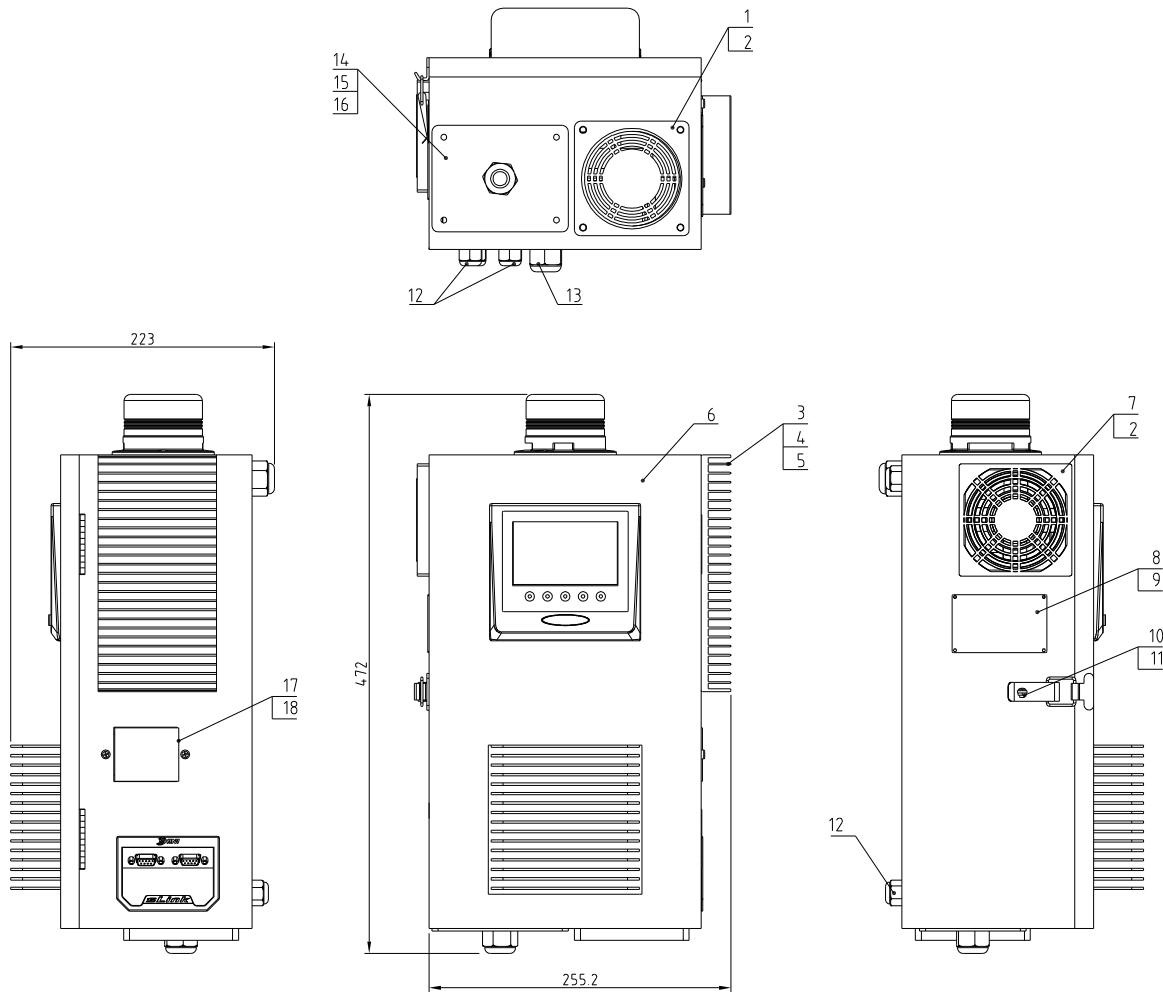
风车功率	Drying blower power	电热管功率	料桶容量	机器版本号
50Hz:0.45kW	60Hz:0.52kW	18kW	400kg	Ver.C

46	YW66081600000	Flat washer A grade GB/T197.118 4-16-16-Longzine		12	
45	YW65008000100	Standard spring washer GB/T193 8-Longzine		12	
44	YW60082500100	Hexagon screw bolt GB/T15783 M8x25-12.9-Longzine		8	
43	YW90204.0003300	Hinge (extra large) SHD-600E-A-09 Drawing version 0 Longfeng	Assembly	1	
42	YR1001004.00000	Cover fastener SHD-100 white silica gel (has mould)	white silica gel	2	
41	YW9004.0002800	Hopper cover SHD-400E-A-05 Drawing version 0 Longfeng	SPCC18	1	
40	YW60083000200	Hexagon screw bolt GB/T15783 M6x30-8.8-Longzine		4	
39	BW09202000000	Square plate SEHD-100-A-09 (Iver Oilhas mould)	SPCC10	1	
38	YW64000300100	Hexagon nut GB/T16170 M3-Longzine		2	
37	YE50380000000	Truss head M3x8(SUS304)		2	
36	BE85018000350	Temp protector K180 Celsius (wire length 0.5M) (thermal insulation normally open) (with protective rubber sleeve)	Assembly	1	
35	YW64000500000	Hexagon nut M5 anti-loose		12	
34	BW09006300400	Six holes sight glass (chromium plated)SEHD-12-A-16Drawing version 0	SPCC2.0	2	
33	YR4.00012000000	Acryl six hole SEHD-12-A-12(Ver 0)	PC	2	
32	YR4.00060000000	Plastic_PCH(Has mould)		2	
31	YW66006000000	Sight-glass fastener six hole SEHD-12-A-11(Ver 0)	Rubber	2	
30	YW90661003800	E-rings GB/T896 6		4	
29	YW66103200000	long hinge 66100/200/400(Longfeng) 1100 pcs/back		4	
28	YW900124.0002000	Star ring screw large size 100/200/400(Longfeng) 150 sets/box		4	
27	YW900124.0001000	Star ring screw large size 100/200/400(Longfeng) 150 sets/box		4	
26	BL014.007002200	Upper screen SHD-400E-A-07 Drawing version 0	SUS201	1	
25	BY1004.0000850	Base assembly SHD-400E(Longfeng)	Assembly	1	
24	YL0104.000020000	Lower screen assembly SHD-400E-A-06 Drawing version 0 Longfeng	SUS201	1	
23	YW2004.0001500	Hopper SHD-400E-A-03 Drawing version 0 Longfeng	AC4B	1	
22	YW80010200100	Plug 1/4		1	
21	YW65012000000	Standard spring washer GB/T193 12-Longzine		4	
20	YW66024.1300000	Flat washer A grade GB/T197.1 1213 5x24x2.51-Longzine		4	
19	YW60124.5000000	Hexagon screw bolt GB/T15783 M12x45-8.8-Longzine		4	
18	YW204.000017000	Hot air pipe SHD-400E-A-04 Drawing version 0 Longfeng	Weldment	1	
17	SHD-50E-EC-A-ALL	Control box assembly	Assembly	1	
16	YW66102000100	Flat washer A grade GB/T197.1 1011x20x21-Longzine		4	
15	YW61103000100	Inner hexagon cylinder screw GB/T70.1 M10x30-12.9-Longzine		4	
14	YW66102500000	Flat washer 10x25x1.5Longzine		4	
13	YW65010000000	Standard spring washer GB/T193 10-Longzine		8	
12	YW61102500000	Inner hexagon cylinder screw GB/T70.1 M10x25-12.9-Longzine		4	
11	YW2004.0000900	Blower installation flange SHD-400E-A-02 Drawing version 0 Longfeng	AC4B	1	
10	YM4.0534.0017000	Blower 5"(4.00E) 3~0.380~4.15V/50/60HZ/1x50W/520W	Assembly	1	
9	SHD-400E-EC-A-01	Insulated hopper capacity	Assembly	1	
8	YW66061300000	Flat washer A grade GB/T197.1 6-Longzine		8	
7	YW65006000100	Standard spring washer GB/T193 6-Longzine		8	
6	YW60061200000	Hexagon screw bolt GB/T15783 M6x12-12.9-Longzine		8	
5	YW00121000000	Hand SEHD-25-A-08 (Iver Oilhas mould)	Assembly	4	
4	YW62061000000	Large cross socket flat head screw JIS1111 M6x10-Longzine		16	
3	BL011214.00120	Handle hook SHD-12E-A-14Drawing version 0 (has mould)	SUS201	4	
2	YW63061500000	Cross recessed pan head screw GB/T-818 M6x15-Longzine		4	
1	YW20020001800	Air exhaust pipe SHD-200E-A-04 Drawing version 0 Longfeng	AC4B	1	

51	YR20861000100	Seal silica gel 8-6(100/200/400)(Longfeng)	white silica gel	2.81M	
50	YE90530800400	Thermocouple 5x30L-M6-3M Tubular SCD-230U/120H-ALL-08 Ver 0	Assembly	1	
49	YE60162800100	High grade plastic coated metal hose φ 16 (280 × 132mm) with zinc alloy outer thread M20 × 1.5 at both ends	Assembly	1	
48	YE90059301300	Thermocouple 5" × 93L × M6 × 2M (SHD-600U-A-55 Tube Type A version)	Assembly	1	
47	BH704.018000500	Electric heating tube SHD-400E-B-01 drawing version 0.18kW/73.0.400V	Assembly	1	

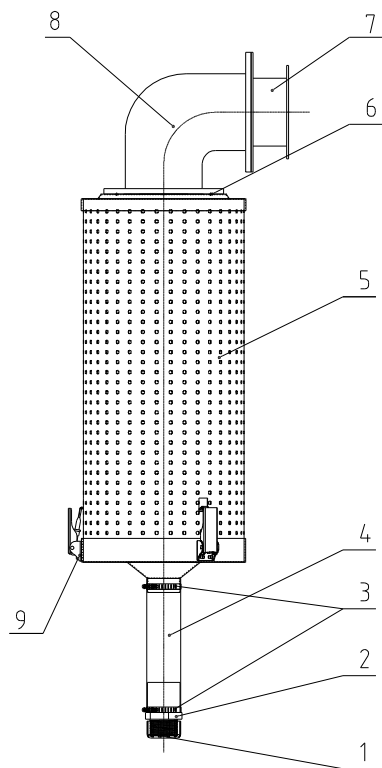
制图	版号	标题	SHD-400E-EC	图号	SHD-400E-EC-ALL	比例	1:16	数量	
设计	核准	料斗干燥机				材质			
校对		SHINI		信易电热机械股份有限公司		表面要求			
标记	更改前	更改后	更改人	日期	审核	日期	物料号		





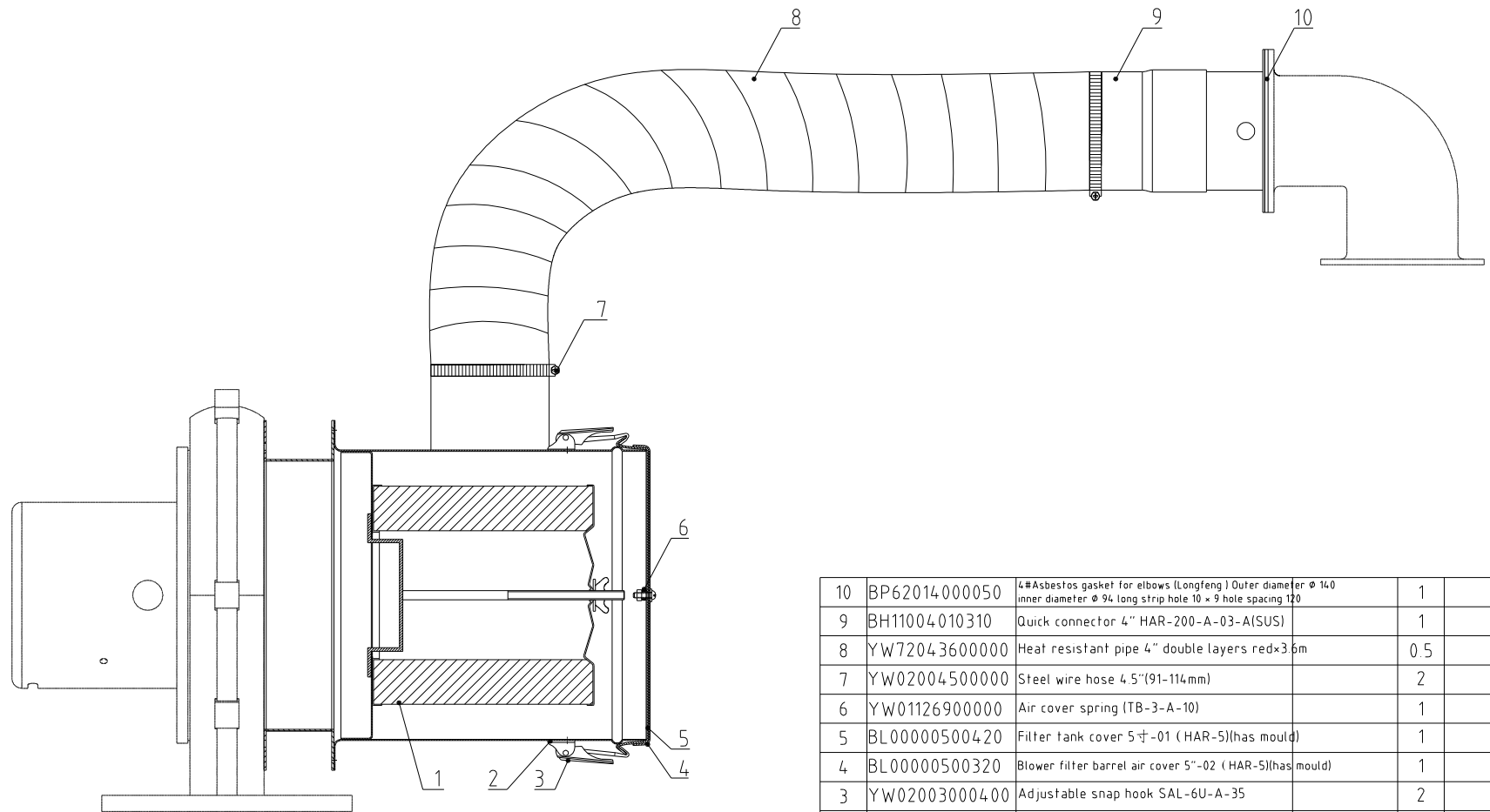
18	YW67040600600	Cross recessed pan head tapping screw GB6560 M4x6-Longzine	Longzine	2	
17	BL22080000220	Breaker fixed plate SAL-810G-B-05(has mould)	SPCC10	1	
16	YW67051000700	Cross socket pan head self-tapping lock screw GB6560 M5x10 Longzine		4	
15	BL50135000020	Fixing board of wire clamps PG13 5 5G-S-0(has mould)	SPCC2.0	1	
14	YE67201500100	Copper nickel plated cable connector 4T12-M20=15/2.5+5C For cable	Copper nickel plated	1	
13	YE67001100000	Cable head PG11		1	
12	YE67000940000	Cable head PG9		3	
11	YW64000300100	Hexagonal nut GB/T6170 M3-Longzine		1	
10	YW63030600000	Cross recessed pan head screw GB/T-823 M3x6-Longzine		1	
9	YW69020500000	Rivet GB/T 827 2x5		4	
8	YP30804900700	Aluminum plate nameplate (small) universal to the group 80x49mm	Aluminum	1	
7	YM60922500200	Exhaust fan - plastic air net 3225A12VAC50/60Hz	Assembly	1	
6	SHD-50E-EC-A-01	Control box	Weldment	1	
5	YW61041000100	Cross socket counter sunk head screw GB819 M4x10-Longzine		4	
4	YW63040600000	Cross recessed pan head screw GB/T818 M4x6-Longzine		4	
3	YW90120700000	Aluminum cooler SD-40H-ALL-28(Iver Allblack)	AL6063	1	
2	YW62050500000	Cross socket flat-head screw JS1111 M5x5-Longzine		8	
1	YR40090900000	Exhaust fan 3-in-1 dust-proof plastic screen 9x9		1	
序号	代号	名称	材料	数量	备注

					制图	版号	标题	图号	比例	1:4	数量
					设计	核准	SHD-50E-EC	SHD-50E-EC-A-ALL		材质	
					校对		控制箱组件			表面要求	
标记	更改前	更改后	更改人	日期	审核	日期	信易电热机械股份有限公司 Shini Plastics Technologies, Inc.		物料号		



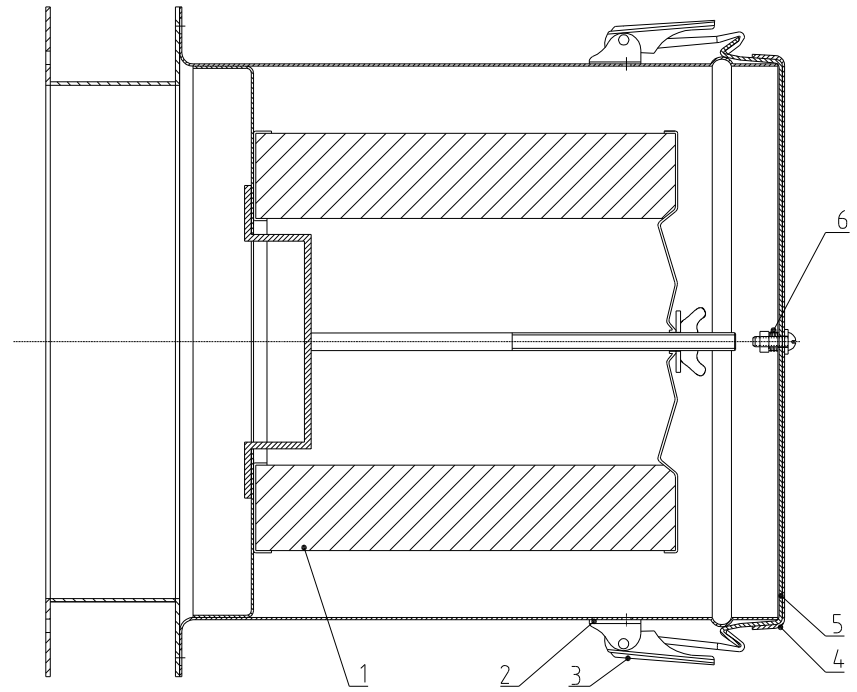
9	YW02003000400	Adjustable snap hook SAL-6U-A-35(Ver C)		3	
8	BA10020000210	Air exhaust pipe SEHD-200-A-14(200/1000)(Ver 0) (painted) (has mould)		1	
7	BL90000300120	adapter flange ADC-3EB-A-01(Ver 0)		1	
6	YR10204000000	Air exhaust pipe fastener SEHD-200-A-15(Ver 0) (rubber)(has mould)		2	
5	YR50241400100	Filter ADC3 rubber fastener (SMD-2000H-A-ALL) Ver B		1	
4	YE66515800000	PVC transparent hose 2" inner dia 50mmx0.8mm		1	
3	YW02002500000	Steel wire hose 2.5" (40-64mm)		2	
2	YR40012500000	Plastics connector 1.25"		1	
1	YR40000000100	Bottom plug ADC-1-A-05 ver 0 (has mould)		1	
序号	代号	名称	材质	数量	备注

					制图	版号	标题	图号	比例	1:10	数量	1
					设计	核准	排风空气滤清器	ADC-3EB-ALL		材质		
					校对		信易電熱機械股份有限公司 Shini Plastics Technologies, Inc.				表面要求	
标记	更改前	更改后	更改人	日期	审核	日期						



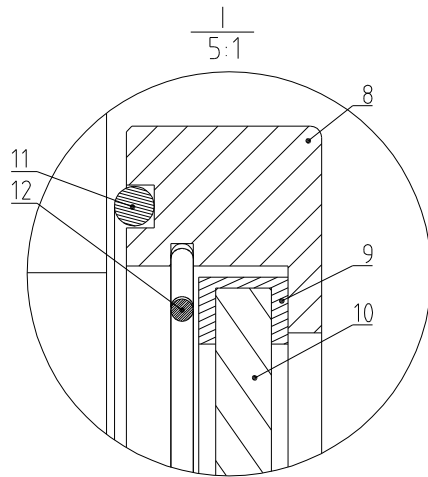
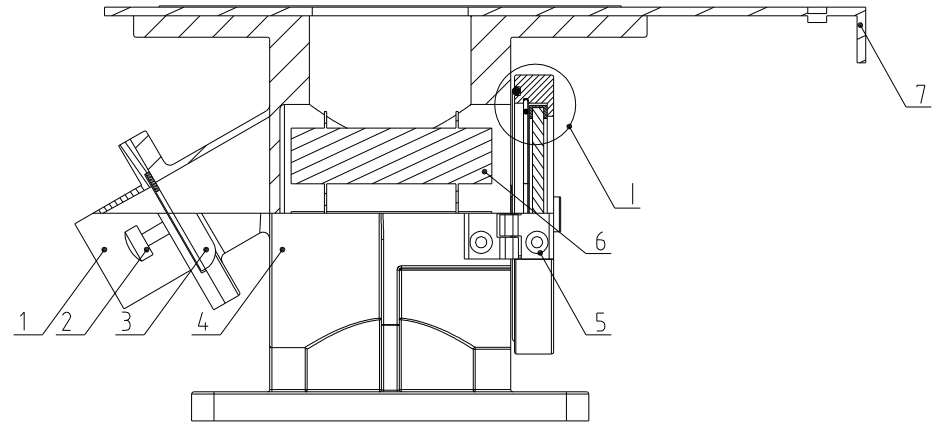
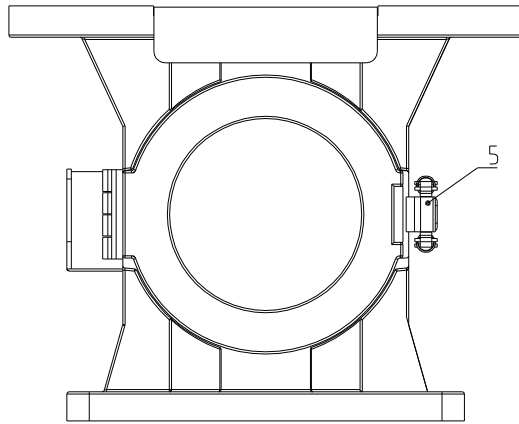
10	BP62014000050	4#Asbestos gasket for elbows (Longfeng) Outer diameter $\phi$ 140 inner diameter $\phi$ 94 long strip hole 10 x 9 hole spacing 120	1		
9	BH11004010310	Quick connector 4" HAR-200-A-03-A(SUS)	1		
8	YW72043600000	Heat resistant pipe 4" double layers red $\times$ 3.6m	0.5		
7	YW02004500000	Steel wire hose 4.5"(91-114mm)	2		
6	YW01126900000	Air cover spring (TB-3-A-10)	1		
5	BL00000500420	Filter tank cover 5寸-01 (HAR-5)(has mould)	1		
4	BL00000500320	Blower filter barrel air cover 5"-02 (HAR-5)(has mould)	1		
3	YW02003000400	Adjustable snap hook SAL-6U-A-35	2		
2	YR40000600800	Snap hook plastic pad SAL-6U(white)(has mould)	2		
1	YR50181900000	Filter HAR ext. 188 $\times$ inner 114/88 $\times$ height 191	1		
序号	代号	名称	材料	数量	备注

					制图	版号	标题	图号	比例	1:5	数量	1
					设计	核准	HAR-200EB	HAR-200EB-ALL	材质			
					校对		热风回收器			表面要求		
标记	更改前	更改后	更改人	日期	审核	日期	20200917	信易电热机械股份有限公司 Shini Plastics Technologies, Inc.	物料号			



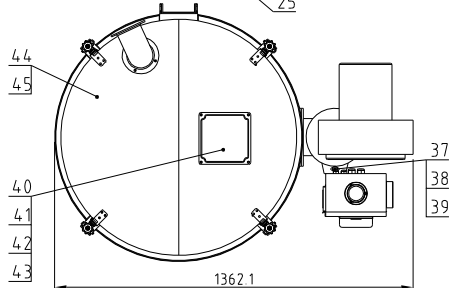
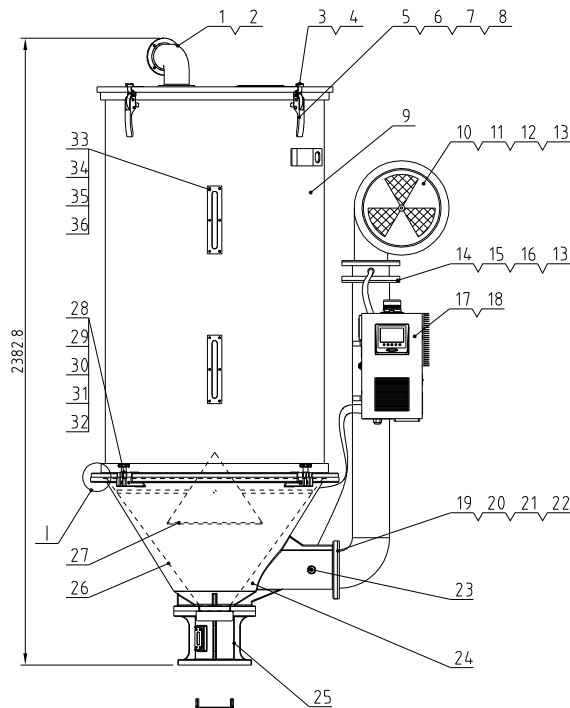
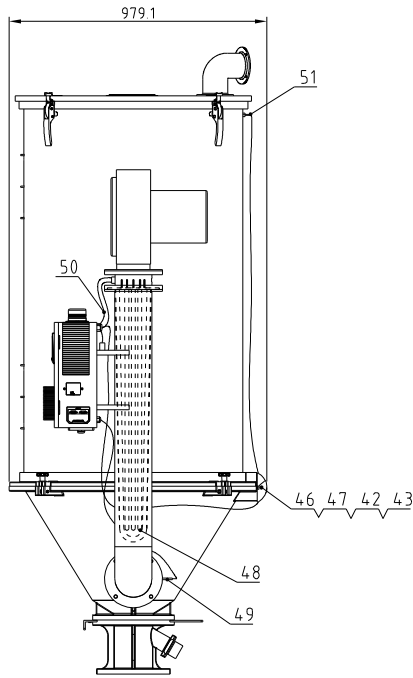
6	YW01126900000	Air cover spring (TB-3-A-10)		1	
5	BL00000500420	Filter tank cover 5"-01(HAR-5)(has mould)		1	
4	BL00000500320	Blower filter barrel air cover 5"-02(HAR-5)(has mould)		1	
3	YW02003000400	Adjustable snap hook SAL-6U-A-35		2	
2	YR40000600800	Snap hook plastic pad SAL-6U(white)(has mould)		2	
1	YR50181900000	Filter HAR ext. 188× inner 114/88× height 191		1	
序号	代号	名称	材料	数量	备注

					制图	版号	标题	图号	比例	1:3	数量	1
					设计	核准	AIF-200EB 风机入口过滤器	AIF-200EB-ALL		材质		
					校对		SHINI 信易電熱機械股份有限公司 Shini Plastics Technologies, Inc.	表面要求				
标记	更改前	更改后	更改人	日期	审核	日期		20200917		物料号		



12	YA10030406000	Magnetic base 304 clamp 200-400KG(Longfeng)	1		
11	YA10203006000	Magnetic base oil seal 200/300KG(Longfeng)	1		
10	YA10204006000	Magnetic base glass 200-400KG(Longfeng)	1		
9	YA10240006000	Magnetic base glass rubber ring 200-400KG(Longfeng)	1		
8	YA10020008000	Magnetic base aluminum ring 200KG large (Longfeng)	1		
7	YW90020002900	Large Tow Board HB-200EB-A-03(Ver 0)(W:140)(Longfeng)	1		
6	BA90020008010	Magnetic Frame 200KG Large (Longfeng)	1		
5	YW09254008000	Magnetic base hinge/Buckle 25-400KG(Longfeng)	1		
4	BW20020000710	Magnetic base 200KG large(Longfeng)(painted)	1		
3	YW90020003000	Small tow Board HB-200EB-A-04(Ver 0)(W:60)	1		
2	YW69616100000	Hand screw M6×16×16	1		
1	YW20020001900	Discharge port HB-200EB-A-02(Ver 0)(Longfeng)	1		
序号	代号	名称	材质	数量	备注

					制图	版号	标题	图号	比例	1:3	数量	1
					设计	核准	MB-200EB	MB-200EB-ALL		材质		
					校对		<b>信易電熱機械股份有限公司</b> <b>Shini Plastics Technologies, Inc.</b>			表面要求		
标记	更改前	更改后	更改人	日期	审核	日期			20200522		物料号	

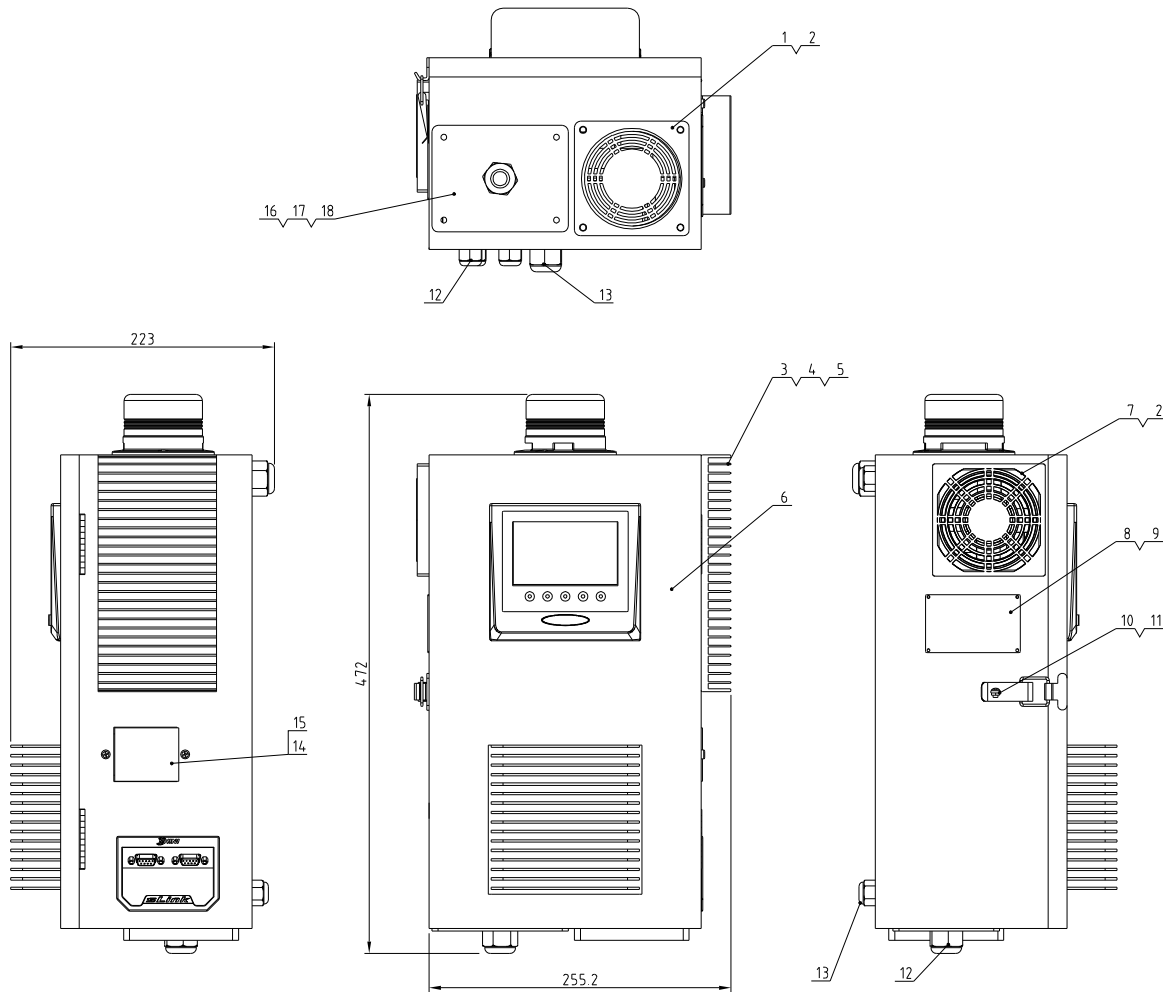


51	YE9007000000	Thermopile 4x2.0x4.0 0.25-100℃-ALL-精	Assembly	1
50	YE60162800100	4x2.0x4.0 0.25-100℃-ALL-精	Assembly	1
49	YE90059301300	Thermopile 4x2.0x4.0 0.25-100℃-ALL-精	Assembly	1
48	BH70503800050	pipe heater SHD-500-13.50000-400W	Assembly	1
47	YW60082500100	flange screw bolt Q235 16x1.5-L1-Longzine		8

风车功率 Drying blower power	电加热器功率 Pipe heater power	料桶容量 Hopper capacity	机壳版本号 Ver
50Hz:0.45kW 60Hz:0.52kW	19.5kW	500kg	Ver B

46	YW90204003300	flange plate 16x2.0x4.0 0.25-100℃-ALL-精	Assembly	1
45	YR10010040000	cover fastener SHD-500-16x1.5-L1-Longzine	white silica gel	2
44	YW90040002800	head cover SHD-500-16x1.5-L1-Longzine	SPCC18	1
43	YW66081600000	flat washer 4 grade Q235 16x1.5-L1-Longzine		12
42	YW65008000100	standard spring washer Q235 16-L1-Longzine		12
41	YW60083000200	flange screw bolt Q235 16x1.5-L1-Longzine		4
40	BW09202000000	square plate SHD-500-16x1.5-L1-Longzine	SPCC10	1
39	YW64.000300100	hexagonal nut Q235 16-L1-Longzine		2
38	YE50380000000	industrial head screw M5 x 8 (SUS304)		2
37	BE85018000350	hexagonal nut M5 anti-loose	Assembly	1
36	YW64.000500000	hexagonal nut M5 anti-loose		12
35	BW09000630040	square plate SHD-500-16x1.5-L1-Longzine	SPCC2.0	2
34	YR40001200000	head cover SHD-500-16x1.5-L1-Longzine	PC	2
33	YR40000600000	cover fastener SHD-500-16x1.5-L1-Longzine	Rubber	2
32	YW66000600000	E-rings GB/T896 6		4
31	YW90661003800	long stainless steel screw M6x38-L1-Longzine	Q235	4
30	YW66103200000	flat washer 4 grade Q235 16x1.5-L1-Longzine		4
29	YW90012400200	long steel ring screw M6x24-L1-Longzine	Q235	4
28	YW90012400100	long steel ring screw M6x24-L1-Longzine	Zinc alloy	4
27	BL01400700220	flange screw SHD-500-16x1.5-L1-Longzine	SUS201	1
26	YL01040000200	cover screw SHD-500-16x1.5-L1-Longzine	SUS201	1
25	BY10040000850	base assembly SHD-500EB (Longzine)	Assembly	1
24	YW20040001500	flange SHD-500-16x1.5-L1-Longzine	AC4B	1
23	YW80010200100	plug 1/4		1
22	YW65012000000	standard spring washer Q235 16-L1-Longzine		4
21	YW66024130000	flat washer 4 grade Q235 16x1.5-L1-Longzine		4
20	YW60123500000	flange screw bolt Q235 16x1.5-L1-Longzine		4
19	YW20050000100	flat steel plate SHD-500-16x1.5-L1-Longzine	Weldment	1
18	YW67061000000	cover plate SHD-500-16x1.5-L1-Longzine		4
17	SHD-500E-EC-A-ALL	Control box assembly	assembly	1
16	YW66102000100	flat washer 4 grade Q235 16x1.5-L1-Longzine		4
15	YW61103000100	long screw cylinder screw Q235 16x1.5-L1-Longzine		4
14	YW20040000900	flange SHD-500-16x1.5-L1-Longzine	AC4B	1
13	YW65010000000	standard spring washer Q235 16-L1-Longzine		8
12	YW66102500000	flat gasket 10x25x1.5-Longzine		4
11	YW61102500000	long screw cylinder screw Q235 16x1.5-L1-Longzine		4
10	YM4.0534.001700	Motor 4" (100mm) 1/2HP 230V/50Hz/5000RPM	assembly	1
9	SHD-500E-EC-B-ALL	Material storage tank		1
8	YW66061300000	flat washer 4 grade Q235 16-L1-Longzine		8
7	YW65006000100	standard spring washer Q235 16-L1-Longzine		8
6	YW60061200000	flange screw bolt Q235 16x1.5-L1-Longzine		8
5	YW00121000000	headless SHD-500-16x1.5-L1-Longzine		4
4	BL011214.00120	head lock SHD-500-16x1.5-L1-Longzine	SUS201	4
3	YW62061000000	long screw cylinder screw SHD-500-16x1.5-L1-Longzine		12
2	YW63061500000	cover screw SHD-500-16x1.5-L1-Longzine		4
1	YW20020001800	flat steel plate SHD-500-16x1.5-L1-Longzine	AC4B	1

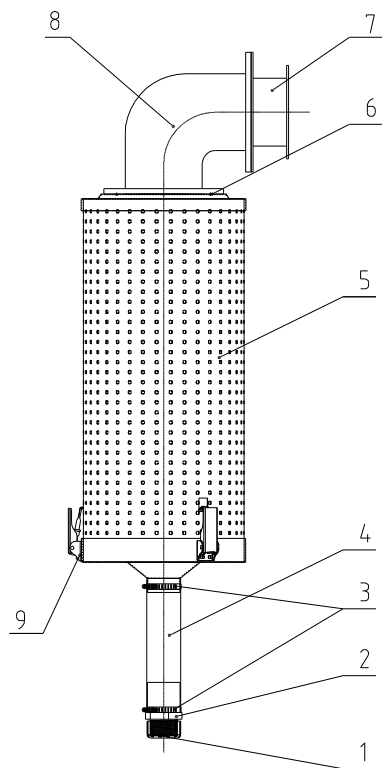
制图	版号	标题	SHD-500E-EC	图号	比例	1:18	数量		备注
设计	核准	料斗干燥机			表面要求		/		
校对		<b>SHINI</b> 信易电热机械股份有限公司			物料号		/		
标记	更改前	更改后	更改人	日期	审核	日期			



18	YE67251500100	Large metal plate with 4mm (16) 25x16mm (2) in width		1	
17	YW67051000700	Cross recessed pan head hexagonal screw 6.3x25mm (2) long		4	
16	BL45000502120	Wire clamp fixed plate W5 30-3-01	SPCC2.0	1	
15	YW67040600600	Cross recessed pan head self-tapping screw 6.3x16mm (2) long		2	
14	BL22080000220	Breaker fixed plate SH-400-3-16 (has screw)	SPCC1.0	1	
13	YE67001100000	Cable head PG11		1	
12	YE67000940000	Cable head PG9		3	
11	YW64000300100	Hex. nut G8/16170 M3-Longzine		1	
10	YW63030600000	Cross recessed pan head screw 6.3x16mm (2) long		1	
9	YW69020500000	Rivet GB/T 827 2x5		4	
8	YP30804900700	Aluminum plate (metal) for panel use by the plug (4mm)		1	
7	YM60922500200	Exhaust fan 3 plastic air net 255x200x100mm		1	
6	SHD-50E-EC-A-01	Control box	Weldment	1	
5	YW61041000100	Cross recessed center end head screw 6.3x16mm (2) long		4	
4	YW63040600000	Cross recessed pan head screw 6.3x16mm (2) long		4	
3	YW90120700000	Aluminum cooler 30-40-41-20 (Per. A) (black)		1	
2	YW62050500000	Large cross metal flat head screw 6.3x16mm (2) long		8	
1	YR40090900000	Exhaust fan 3-in-1 short-groove plastic screw 30		1	
序号	代号	名称	材质	数量	备注

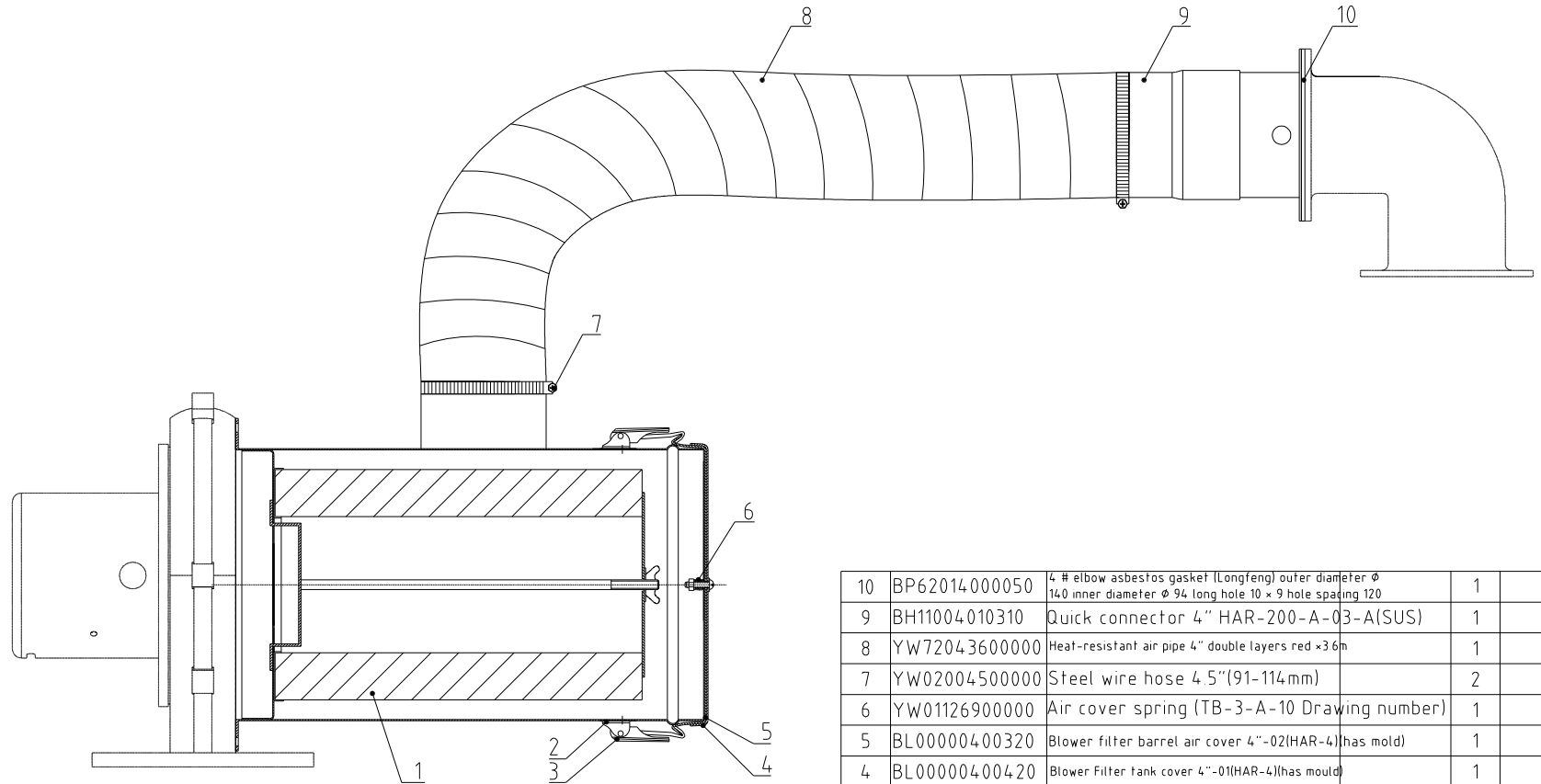
					制图	版号	0	标题	SHD-500E-EC	图号	SHD-500E-EC-A-ALL	比例	1:4	数量	1
					设计	核准		控制箱组件						材质	/
					校对									表面要求	/
标记	更改前	更改后	更改人	日期	审核	日期		<b>信易电热机械股份有限公司</b> Shini Plastics Technologies, Inc.						物料号	/





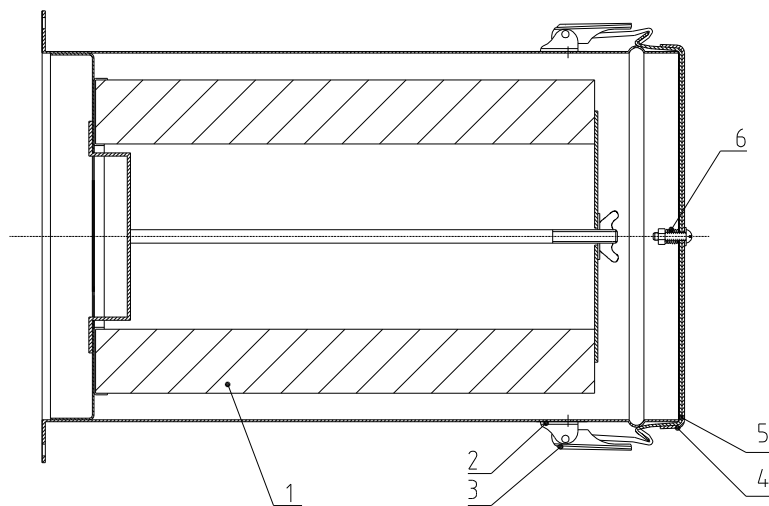
9	YW02003000400	Spring buckle adjustable SAL-6U-A-35(Ver.C)		3	
8	BA10020000210	Air exhaust pipe SEHD-200-A-14(200/1000)(Ver.0)	(painted) (has mould)	1	
7	BL90000300120	Adapter flange ADC-3EB-A-01(Ver.0)		1	
6	YR10204000000	Air exhaust pipe fastener SEHD-200-A-15(ver.0)	rubber(has mould)	2	
5	YR50241400100	Filter ADC3 rubber fastener(SMD-2000H-A-ALL-1)Ver.B		1	
4	YE66515800000	PVC transparent hose 2" inner dia. 50mm×0.8mm		1	
3	YW02002500000	Stainless steel pipe clamp 2.5"(40-64mm)		2	
2	YR40012500000	Plastics connector 1.25"		1	
1	YR40000000100	Bottom plug ADC-1-A-05 (ver.0)(has mould)		1	
序号	代号	名称	材质	数量	备注

					制图	版号	标题	图号	比例	1:10	数量	1
					设计	核准	ADC-3EB 排风空气滤清器	ADC-3EB-ALL		表面要求	材质	
				校对								
标记	更改前	更改后	更改人	日期	审核	日期	信易电热机械股份有限公司 Shini Plastics Technologies, Inc.		物料号			



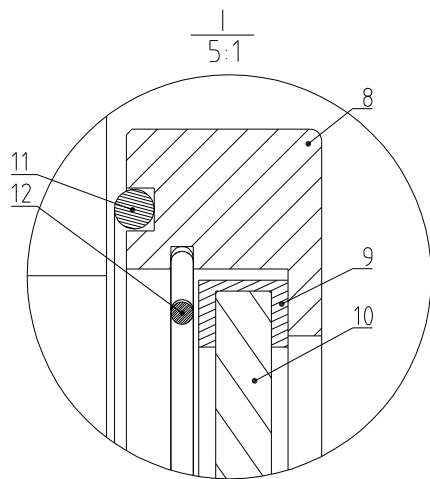
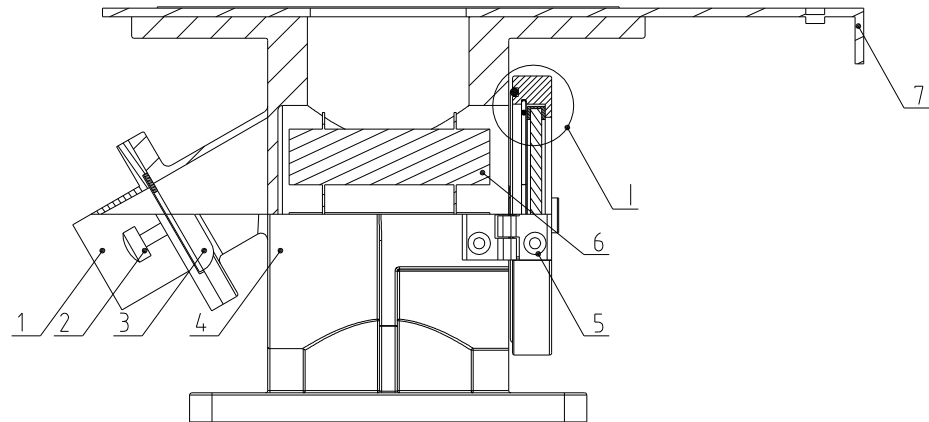
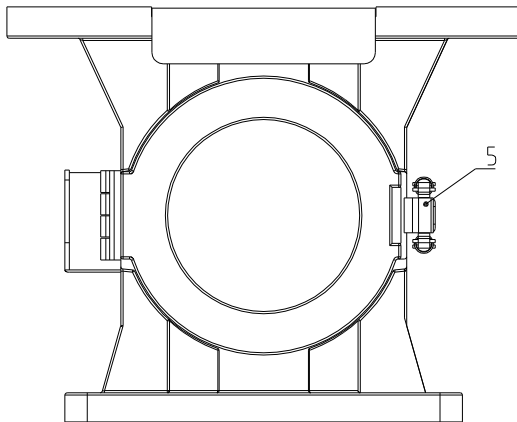
10	BP62014000050	4 # elbow asbestos gasket (Longfeng) outer diameter $\phi$ 14.0 inner diameter $\phi$ 9.4 long hole 10 x 9 hole spacing 120	1		
9	BH11004010310	Quick connector 4" HAR-200-A-03-A(SUS)	1		
8	YW72043600000	Heat-resistant air pipe 4" double layers red x3.6m	1		
7	YW02004500000	Steel wire hose 4.5"(91-114mm)	2		
6	YW01126900000	Air cover spring (TB-3-A-10 Drawing number)	1		
5	BL00000400320	Blower filter barrel air cover 4"-02(HAR-4)(has mould)	1		
4	BL00000400420	Blower Filter tank cover 4"-01(HAR-4)(has mould)	1		
3	YW02003000400	Adjustable snap hook SAL-6U-A-35(Ver.C)	2		
2	YR40000600800	Snap hook plastic pad SAL-6U(white) (has mould)	2		
1	YR50181100000	Filter ADC2 rubber fastener(SMD-1000H-A-ALL-09) Ver.0	1		
序号	代号	名称	材料	数量	备注

					制图	版号	标题	图号	比例	1:5	数量	1
					设计	核准	HAR-400EB 热风回收器	HAR-400EB-ALL			材质	
					校对		<b>信易電熱機械股份有限公司</b> <b>Shini Plastics Technologies, Inc.</b>	表面要求				
标记	更改前	更改后	更改人	日期	审核	日期		20200924	物料号			



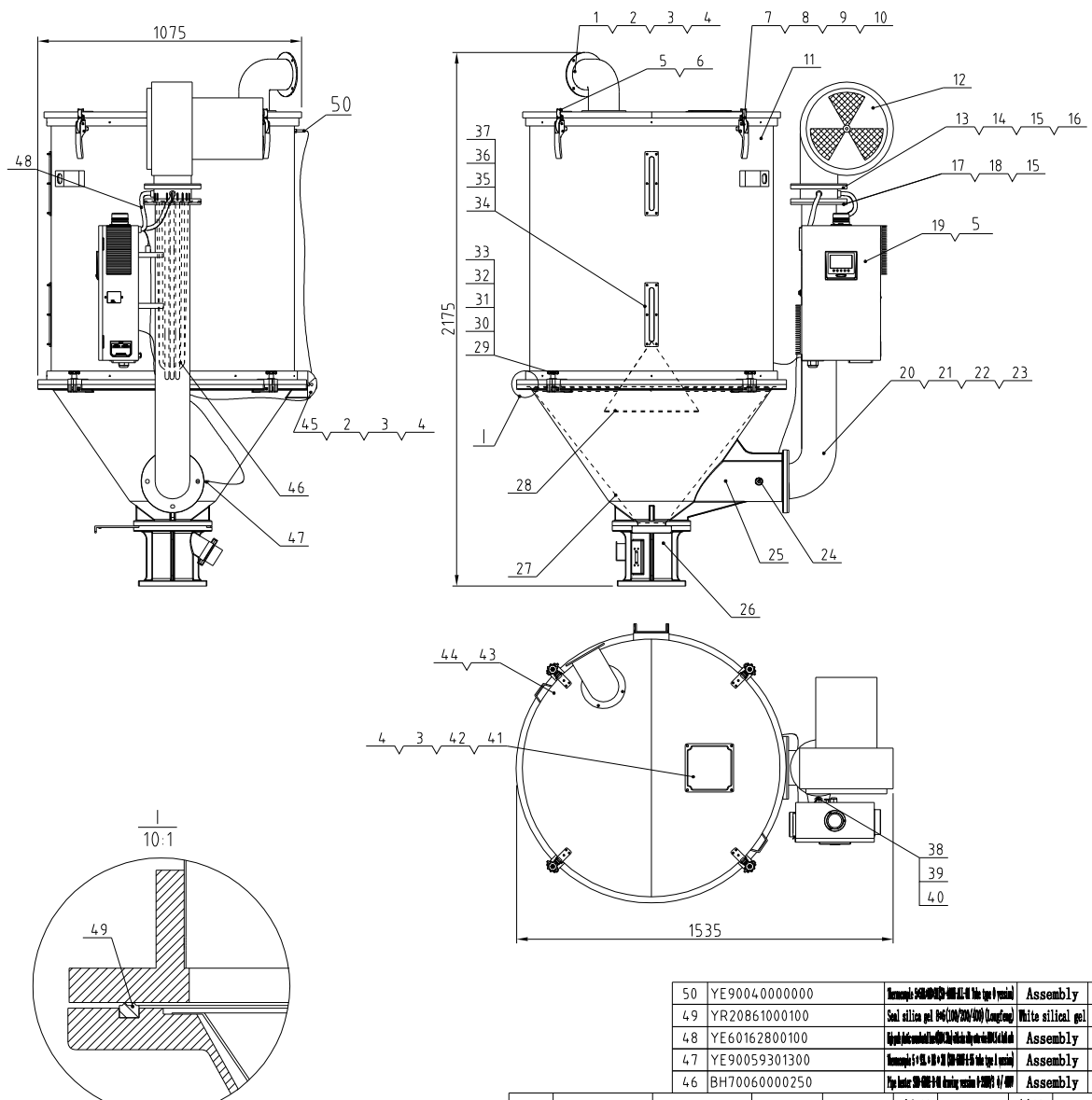
6	YW01126900000	Air cover spring (TB-3-A-10)		1	
5	BL00000400420	Blower filter barrel air cover 4"-02(HAR-4)(has mold)		1	
4	BL00000400420	Blower Filter tank cover 4"-01(HAR-4)(has mold)		1	
3	YW02003000400	Spring buckle adjustable SAL-6U-A-35(Ver.C)		2	
2	YR40000600800	Snap hook plastic pad SAL-6U(white) (has mould)		2	
1	YR50181100000	Filter ADC2 rubber fastener(SMD-1000H-A-ALL-09)Ver 0 1			
序号	代号	名称	材料	数量	备注

					制图		版号		标题	AIF-400EB	图号	AIF-400EB-ALL	比例	1:4	数量	1
					设计		核		风机入口过滤器					材质		
					校对		准			信易電熱機械股份有限公司		表面要求				
标记	更改前	更改后	更改人	日期	审核		日期	20200924		Shini Plastics Technologies, Inc.		物料号				



12	YA10030406000	Magnetic base 304 clamp 200-400KG(Longfeng)	1		
11	YA10040006000	Magnetic base oil seal 400KG(Longfeng)	1		
10	YA10204006000	Magnetic base galss 200-400KG(Longfeng)	1		
9	YA10240006000	Magnetic base Glass rubber ring 200-400KG(Longfeng)	1		
8	YA10040008000	Magnetic base aluminum ring 400KG(Longfeng)	1		
7	YW90020002900	Large drag board HB-200EB-A-03(Ver 0)(width:140)(Longfeng)	1		
6	BA90040008010	Magnetic frame 400KG large(Longfeng)	1		
5	YW09254008000	Magnetic base hinge/Buckle 25-400KG(Longfeng)	1		
4	BW20040000810	Magnetic base 400KG(Longfeng)(Painted)	1		
3	YW90020003000	Small drag board HB-200EB-A-04(Ver 0)(width:60)	1		
2	YW69616100000	Hand screw M6×16×16	1		
1	YW20020001900	Discharge port HB-200EB-A-02(Ver A)(Longfeng)	1		
序号	代号	名称	材质	数量	备注

					制图	版号	标题	图号	比例	1:3	数量	1
					设计	核准	MB-400EB	MB-400EB-ALL		材质		
					校对		磁力底座			表面要求		
标记	更改前	更改后	更改人	日期	审核	日期	20200522	<b>信易電熱機械股份有限公司</b> <b>Shini Plastics Technologies, Inc.</b>		物料号		

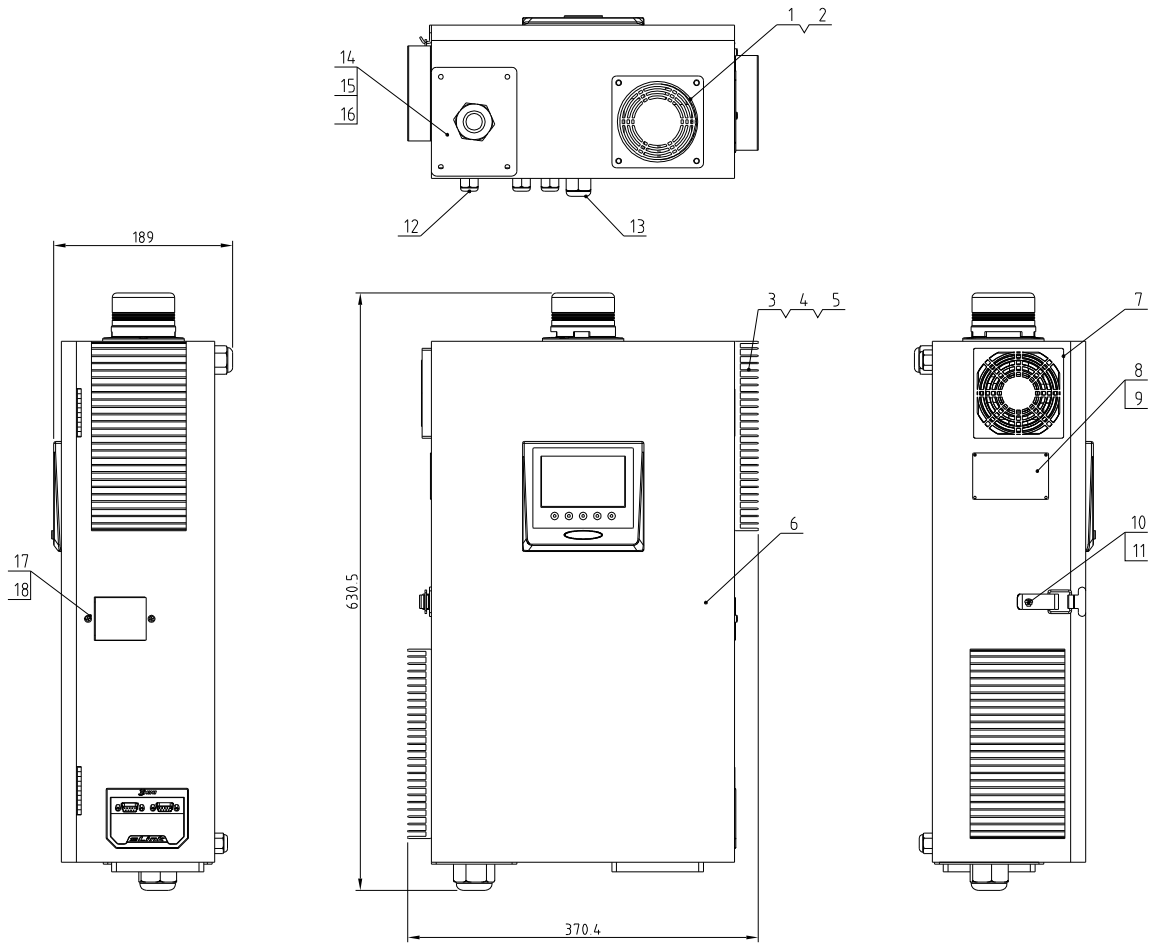


风车功率 Drying blower power	电动机功率 Motor power	料槽容量 Hopper capacity	机器版本号 Ver
50Hz:1.03kW	60Hz:1.23kW	21kW	600kg
			Ver B

45	YW90204.003300	扇叶 Impeller	扇叶 Impeller	Assembly	1
44	YR1001004.00000	白色矽藻土 White silica gel	白色矽藻土 White silica gel	Assembly	2
43	YW90060000100	上层罩 Upper cover	上层罩 Upper cover	Assembly	1
42	YW60083000200	固定螺栓 Hex. bolt	固定螺栓 Hex. bolt	Assembly	4
41	BW09202000000	方形板 Square plate	方形板 Square plate	SPCC1.0	1
40	YW64.000300100	六角螺母 Hexagonal nut	六角螺母 Hexagonal nut	Assembly	2
39	YE50380000000	桁架头 Truss head	桁架头 Truss head	SUS304	2
38	BE85018000350	桁架头 Truss head	桁架头 Truss head	Assembly	1
37	YW64.0005000000	六角螺母 Hexagonal nut	六角螺母 Hexagonal nut	Assembly	12
36	BW09000630040	六角螺母 Hexagonal nut	六角螺母 Hexagonal nut	SPCC2.0	2
35	YR4.00012000000	控制箱 Control box	控制箱 Control box	PC	2
34	YR4.00006000000	橡胶垫 Rubber	橡胶垫 Rubber	Rubber	2
33	YW660006000000	E型环 E-rings	E型环 E-rings	Assembly	4
32	YW90661003800	长轴 Long shaft	长轴 Long shaft	Q235	4
31	YW661032000000	平垫圈 Flat washer	平垫圈 Flat washer	Assembly	4
30	YW900124.00200	长轴 Long shaft	长轴 Long shaft	Q235	4
29	YW900124.00100	长轴 Long shaft	长轴 Long shaft	zinc alloy	4
28	BL016004.00120	桁架头 Truss head	桁架头 Truss head	SUS201	1
27	YL01060000300	桁架头 Truss head	桁架头 Truss head	SUS201	1
26	BY10060000850	标准底座 Standard base	标准底座 Standard base	Assembly	1
25	YW20060000500	桁架头 Truss head	桁架头 Truss head	AC4B	1
24	YW80010200100	插头 Plug	插头 Plug	Assembly	1
23	YW6014.4500000	六角螺母 Hexagonal nut	六角螺母 Hexagonal nut	Assembly	4
22	YW6614.34.000000	平垫圈 Flat washer	平垫圈 Flat washer	Assembly	4
21	YW65014.2000000	标准弹簧垫圈 Standard spring washer	标准弹簧垫圈 Standard spring washer	Assembly	4
20	YW200600004.00	桁架头 Truss head	桁架头 Truss head	Weldment	1
19	SHD-600E-EC-A-ALL	控制箱 Control box	控制箱 Control box	Assembly	1
18	YW66102000100	平垫圈 Flat washer	平垫圈 Flat washer	Assembly	4
17	YW61103000100	桁架头 Truss head	桁架头 Truss head	Assembly	4
16	YW66102500000	平垫圈 Flat washer	平垫圈 Flat washer	Assembly	4
15	YW65010000000	标准弹簧垫圈 Standard spring washer	标准弹簧垫圈 Standard spring washer	Assembly	8
14	YW61102500000	桁架头 Truss head	桁架头 Truss head	Assembly	4
13	YW20060000600	桁架头 Truss head	桁架头 Truss head	AC4B	1
12	YM4.0633800100	桁架头 Truss head	桁架头 Truss head	Assembly	1
11	SHD-600E-EC-B-ALL	储料罐 Storage tank	储料罐 Storage tank	Assembly	1
10	YW66061300000	平垫圈 Flat washer	平垫圈 Flat washer	Assembly	8
9	YW65006000100	标准弹簧垫圈 Standard spring washer	标准弹簧垫圈 Standard spring washer	Assembly	8
8	YW60061200000	固定螺栓 Hex. bolt	固定螺栓 Hex. bolt	Assembly	8
7	YW00121000000	手柄 Handle	手柄 Handle	Assembly	4
6	BL011214.00120	桁架头 Truss head	桁架头 Truss head	SUS201	4
5	YW62061000000	桁架头 Truss head	桁架头 Truss head	Assembly	16
4	YW65008000100	标准弹簧垫圈 Standard spring washer	标准弹簧垫圈 Standard spring washer	Assembly	12
3	YW660816000000	平垫圈 Flat washer	平垫圈 Flat washer	Assembly	12
2	YW60082500100	固定螺栓 Hex. bolt	固定螺栓 Hex. bolt	Assembly	12
1	YW20060000100	桁架头 Truss head	桁架头 Truss head	AC4B	1

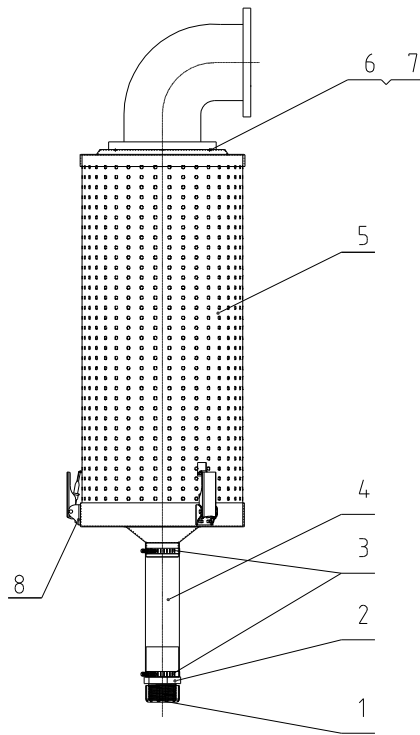
50	YE9004.00000000	桁架头 Truss head	桁架头 Truss head	Assembly	1
49	YR20861000100	白色矽藻土 White silica gel	白色矽藻土 White silica gel	Assembly	3.5
48	YE60162800100	桁架头 Truss head	桁架头 Truss head	Assembly	2
47	YE90059301300	桁架头 Truss head	桁架头 Truss head	Assembly	1
46	BH70060000250	桁架头 Truss head	桁架头 Truss head	Assembly	1

制图	版号	标题	图号	比例	数量	备注
设计	核准	SHD-600E-EC		1:18		
校对		料斗干燥机				材质
标记	更改前	更改后	更改人	日期	审核	日期
				信易电热机械股份有限公司 Shini Plastics Technologies, Inc.		
				表面要求		
				物料号		



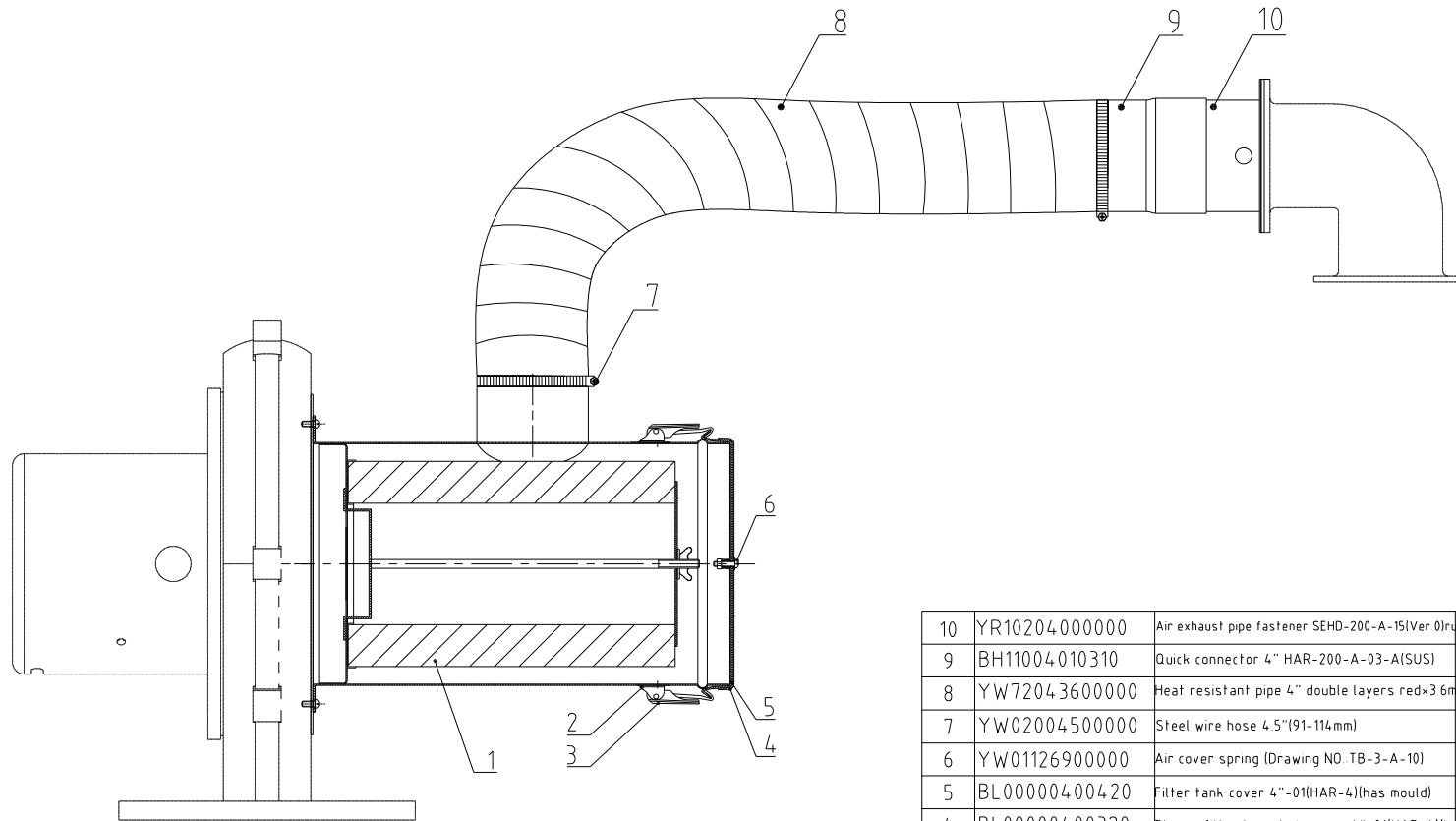
18	YW67040600600	Cover recessed pin head tapping screw GB29194		2	
17	BL22080000220	Breaker fixed plate SH-400-3-6 (blue anti-d)		1	
16	YW67051000700	Cover recessed pin head tapping screw GB29194		4	
15	BL50290000020	Firing head of wire clamp K29 S-5 (blue anti-d)		1	
14	YE67002900000	Cable head PG29		1	
13	YE67001100000	Cable head PG11		1	
12	YE67000940000	Cable head PG9		3	
11	YW64000300100	Hexagon nut GB78170 M3-Longzine		1	
10	YW63030600000	Cover recessed pin head screw GB7081		1	
9	YW69020500000	Rivet GB/T 827 2x5		4	
8	YP30804900700	Aluminum angle (anti) grey powder primer 40x40	aluminum	1	
7	YM60922500200	Element fan + plastic air net 250x200x20	Assembly	1	
6	SHD-600E-EC-A-01	Control box	Weldment	1	
5	YW61041000100	Cover socket center end head screw GB29194		8	
4	YW63040600000	Cover recessed pin head screw GB7081		8	
3	YW90120700000	Aluminum oxidizer SH-400-AL-20 (Ver. A) (black)	AL6063	2	
2	YW62050500000	Large cover socket flat head screw GB29194		8	
1	YR40090900000	Element fan + anti dust grid plastic screen 200	Assembly	1	

序号	代号	名称	材质	数量	备注
		标题 SHD-600E-EC 控制箱组件		比例 1:5	数量
		图号 SHD-600E-EC-A-ALL		表面要求	材质
		<b>SHINI</b> 信易电热机械股份有限公司 Shini Plastics Technologies, Inc.		物料号	
制图		版号			
设计		核准			
校对					
标记	更改前	更改后	更改人	日期	审核
					日期



8	YW02003000400	Adjustable snap hook SAL-6U-A-35(Ver.C)		3	
7	BA10020000210	Air exhaust pipe SEHD-200-A-14 (200/1000)(Ver.0) \ (painted) (has mould)	ZL101	1	
6	YR10204000000	Air exhaust pipe fastener SHD-200/400	Rubber	1	
5	YR50241400100	Filter ADC3 rubber fastener (SMD-2000H-A-ALL-11) Ver.B	Assembly	1	
4	YE66515800000	PVC transparent hose 2"	PVC	1	L=200mm
3	YW02002500000	Steel wire hose 25"	SUS201	2	
2	YR40012500000	Plastics connector 1.25"	Assembly	1	
1	YR40000000100	Bottom plug ADC-1-A-05 ver.0 (has mould)	HCF	1	
序号	代号	名称	材质	数量	备注

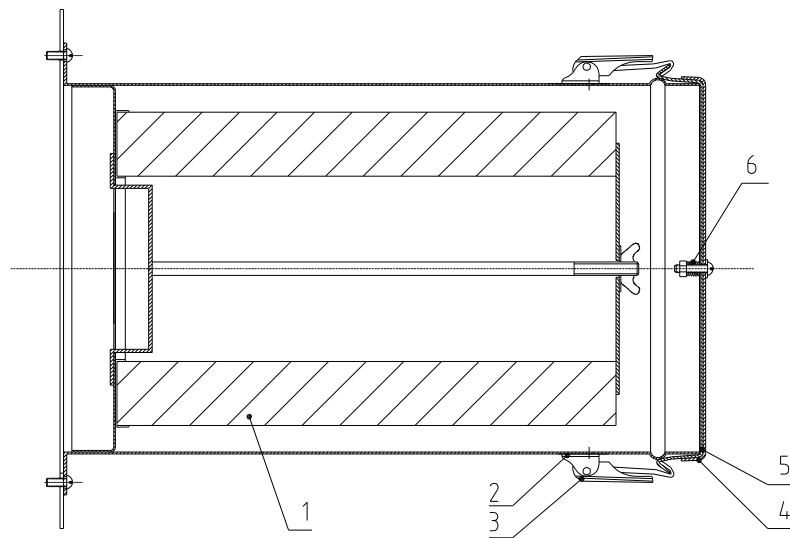
					制图	版号	标题	图号	比例	1:10	数量	1
					设计	核 准	ADC-3 排风空气滤清器	ADC-3-ALL		材质		
				校对								表面要求
标记	更改前	更改后	更改人	日期	审核	日期	20090420	<b>SHINI</b> 信易电热机械股份有限公司 Shini Plastics Technologies, Inc.	物料号			



10	YR10204000000	Air exhaust pipe fastener SEHD-200-A-15(Ver.0)	rubber(has mould)	1	
9	BH11004010310	Quick connector 4" HAR-200-A-03-A(SUS)		1	
8	YW72043600000	Heat resistant pipe 4" double layers red×3.6m		1	
7	YW02004500000	Steel wire hose 4.5"(91-114mm)		2	
6	YW01126900000	Air cover spring (Drawing NO. TB-3-A-10)		1	
5	BL00000400420	Filter tank cover 4"-01(HAR-4)(has mould)		1	
4	BL00000400320	Blower filter barrel air cover 4"-01(HAR-4)(has mould)		1	
3	YW02003000400	Adjustable snap hook SAL-6U-A-35(Ver.C)		2	
2	YR40000600800	Snap hook plastic pad SAL-6U(white)(has mould)		2	
1	YR50181100000	Filter ADC2 rubber fastener (SMD-1000H-A-ALL-09) Ver.0		1	
序号	代号	名称	材料	数量	备注

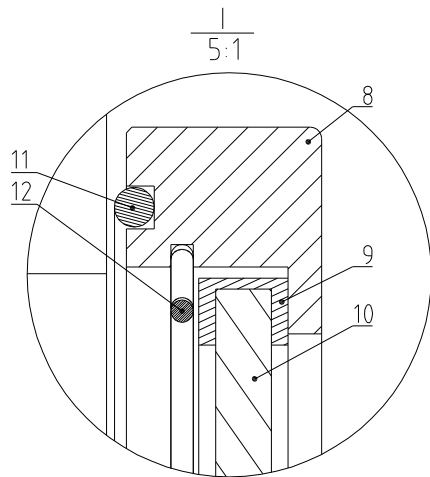
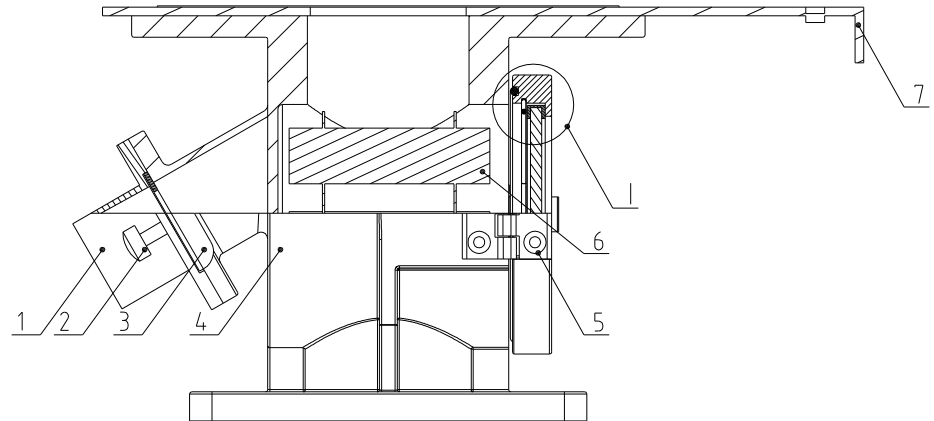
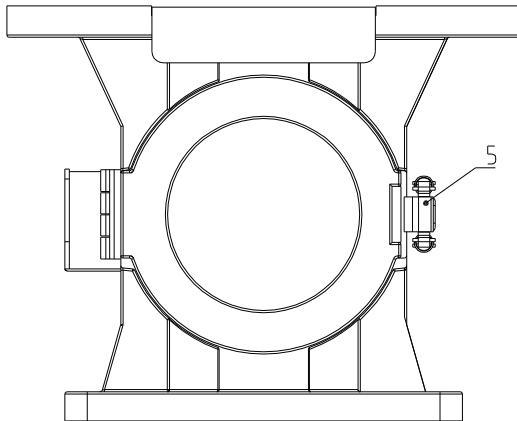
					制图	黄学明	版号		标题	HAR-600EB	图号	HAR-600EB-ALL	比例	1:6	数量	1
					设计	黄学明	核		热风回收器					材质		
					校对		准			信易电热机械股份有限公司		表面要求				
标记	更改前	更改后	更改人	日期	审核		日期	20200522		Shini Plastics Technologies, Inc.		物料号				





6	YW01126900000	Air cover spring (TB-3-A-10)		1	
5	BL00000400420	Filter tank cover 4"-01(HAR-4)(has mould)		1	
4	BL00000400420	Blower filter barrel air cover 4"-01(HAR-4)(has mould)		1	
3	YW02003000400	Adjustable snap hook SAL-6U-A-35(Ver.C)		2	
2	YR40000600800	Snap hook plastic pad SAL-6U(white)(has mould)		2	
1	YR50181100000	Filter ADC2 rubber fastenne (SMD-1000H-A-ALL-09)Ver.0		1	
序号	代号	名称	材料	数量	备注

					制图	版号	标题	图号	比例	1:4	数量	1
					设计	核准	AIF-600EB 风机入口过滤器	AIF-600EB-ALL		材质		
				校对	审核		日期	20210901				
标记	更改前	更改后	更改人	日期	审核	日期	<b>信易電熱機械股份有限公司</b> <b>Shini Plastics Technologies, Inc.</b>		物料号			



12	YA10030406000	Magnetic base 304 clamp 200-400KG(Longfeng )	1		
11	YA10040006000	Magnetic base oil seal 400KG(Longfeng )	1		
10	YA10204006000	Magnetic base glass 200-400KG(Longfeng )	1		
9	YA10240006000	Magnetic base glass rubber ring 200-400KG(Longfeng )	1		
8	YA10040008000	Magnetic base aluminum ring 400KG(Longfeng )	1		
7	YW90020002900	Large Tow Board HB-200EB-A-03(Ver.0)(W140)(Longfeng )	1		
6	BA90040008010	Magnetic Frame 400KG large(Longfeng )	1		
5	YW09254008000	Magnetic base hinge/Buckle 25-400KG(Longfeng )	1		
4	YW20060000900	Magnetic base MB-600EB-A-01(Ver.0)(Longfeng )	1		
3	YW90020003000	Small tow Board HB-200EB-A-04(Ver.0)(W60)	1		
2	YW69616100000	Hand screw M6×16×16	1		
1	YW20020001900	Discharge port HB-200EB-A-02(Ver.A)(Longfeng )	1		
序号	代号	名称	材质	数量	备注

					制图	版号	标题	图号	比例	1:3	数量	1	
					设计	核准	MB-600EB	MB-600EB-ALL		材质			
				校对	核		Magnetic base						
					审核	日期	信易電熱機械股份有限公司 Shini Plastics Technologies, Inc.					表面要求	
标记	更改前	更改后	更改人	日期	20200522							物料号	