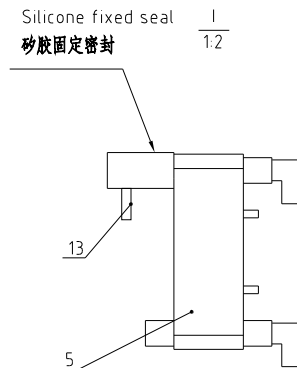
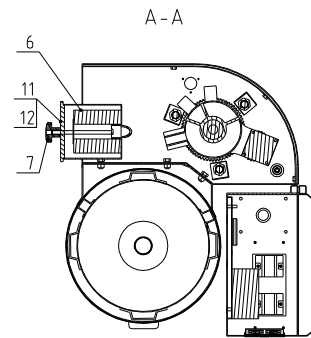


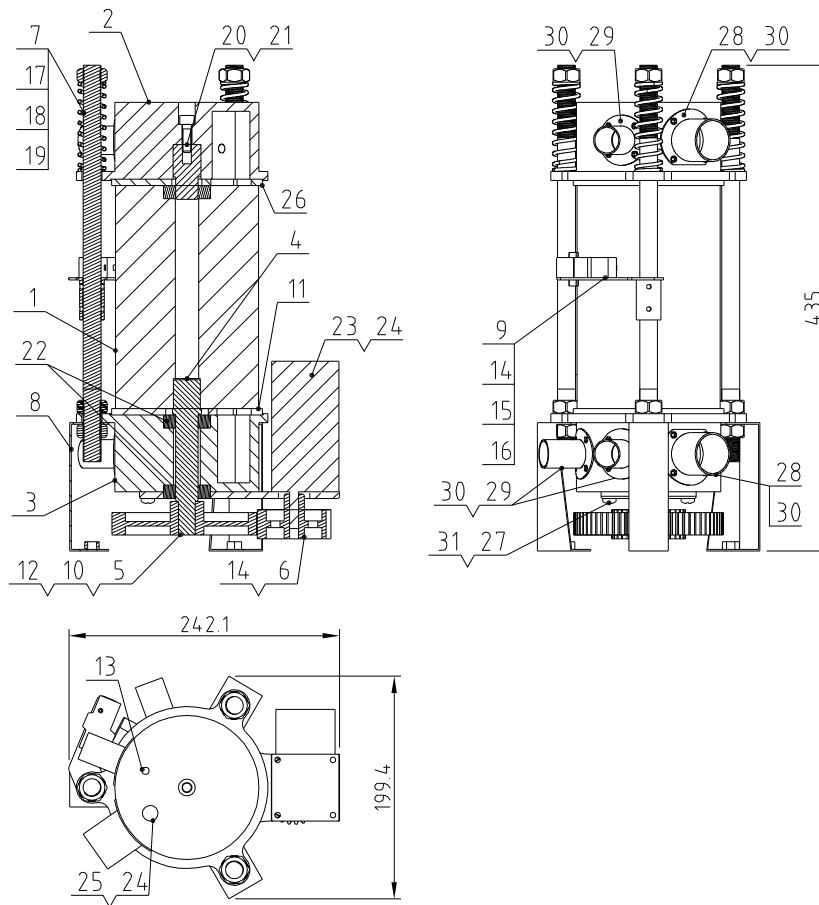
干燥电功率 Drying Heater (kW)	再生电功率 Regen Heater (kW)	除湿风量 Dehumidifying air quantity	机型版本号 Ver.
0.85KW	1.2KW	20m <sup>3</sup> /hr	Ver. A
冷却进出水管接口尺寸 The size of cooling inlet and outlet pipe interface	冷却水压力 Cooling water pressure	保温料桶容量 Heat insulated hopper capacity	冷却水水温 Cooling water temp.
铜弗龙管接头 1/2PTx1/2HL 型 Toniflon pipe connector 1/2PTx1/2H L-type	3~5Kg	40L	常温 Normal temperature



15	MDD-40U/20H-G-ALL	Base assembly	Assembly	1	
14	YR4.0090900000	Exhaust fan 3-m-1 dustproof plastic mesh 9 * 9		1	
13	BE90081500050	Thermocouple 5-T2L-08x15M (SCAD-10U-A-33 Ver.0)		2	
12	YR10017000000	Filter barrel fastener: φ170 silicone (with mold)		1	
11	BR904.02000110	Filter barrel cover MDD-40U/20H-A-LL-05-0		1	
10	YM10925000100	Donglan blower W592608-2L-250-2000-DC24V		2	
9	YM30926000100	Donglan blower W592608-2L-250-2000-DC24V		1	
8	YM30925000100	Donglan blower W59250C-2L-240-x200-DC24V (with boss)		1	
7	YW09675100000	Star nut 5/16		1	
6	YR50956000000	Filter ADC27	Assembly	1	
5	YW8714.2800100	Heat exchanger 35.7x80 150x20 meter and outer, front and rear 1/2PT inner teeth (standard)	Assembly	1	
4	BH704.02000150	Heat pipe MDD-40U/20H-C-04 (0.85kW/1te 220V) Ver.0	Assembly	1	
3	BH704.02000210	Heat pipe MDD-40U/20H-D-04112kW/1te 220V	Assembly	1	
2	MDD-40U/20H-B-ALL	Honeycomb assembly	Assembly	1	
1	MDD-40U/20H-A-ALL	Heat insulated hopper assembly	Assembly	1	

制图	版号	0	标题	MDD-40U/20H	图号	MDD-40U/20H-ALL	比例	/	数量	/
设计	核准		小型除湿干燥机				表面要求	/		
校对	日期						物料号	/		
标记	更改前	更改后	更改人	日期	审核	日期				





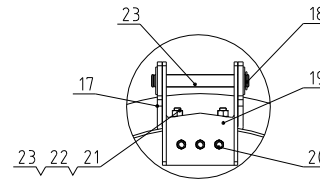
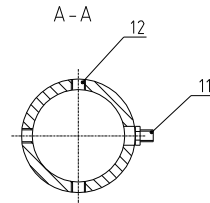
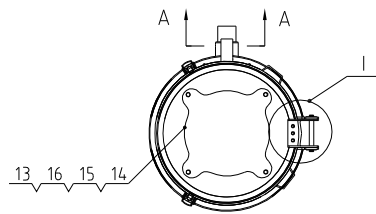
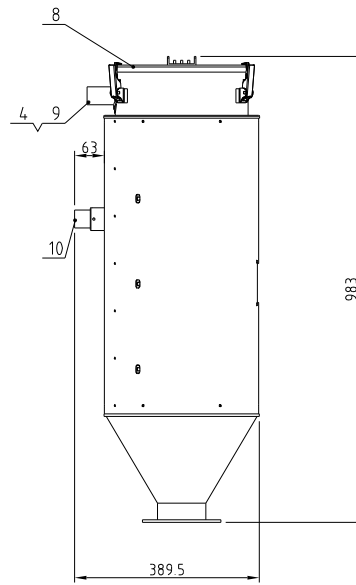
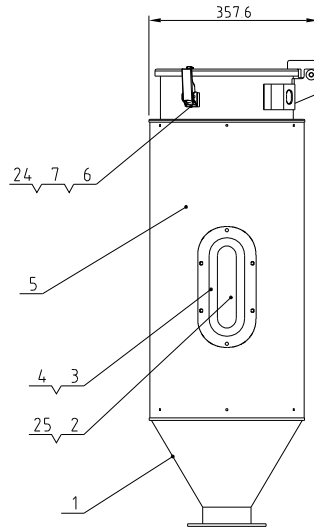
31	BH11402010710	Lower cover reducer fixing plate MDD-40U/20H-B-13	SUS201	1	
30	YW63041200100	Cross recessed pan head screw GB/T-818 M4x12-Longzine		20	
29	MDD-40U/20H-B-14	1" Honeycomb flange	SUS201	3	
28	MDD-40U/20H-B-15	15" Honeycomb flange	SUS201	2	
27	YW63061500000	Cross recessed pan head screw GB/T-818 M6x15-Longzine		3	
26	MDD-40U/20H-B-16	Cover with silicone iron flon gasket	Red silicone+Teflon	1	
25	BH12010400410	Tonflon pipe male thread connector 1/4Hx1/4PT(5D-40H-ALL-09)	H58	1	
24	BH12010401010	Copper horn nut 1/4 inch (for STM) (S-17)	H58	2	
23	YM50262100200	Gear motor 2IK6GN-C/2GN-10XK/2GN-300K 220V Zhongdaide		1	
22	YW11600420000	Bearing 6004-2Z(SKF)		2	
21	YW61082501200	Inner hex. column head screw GB/T701 M8x25-12.9-Longzine		1	
20	BH11101300010	Honeycomb mount shaft SD-1000H-B-13(45#)(Ver B)	45	1	
19	YW66163000000	Flat washer A grade GB/T971 16-Longzine		3	
18	YW64001600000	Hex. nut GB/T6170 M16-Longzine		6	
17	YW01201800000	Spring wire diameter 2.0 * inner diameter 18 * length 80mm pitch 8 (SD-100H-B-07)		3	
16	YW63032500000	Cross recessed pan head screw GB/T-818 M3x25-Longzine		2	
15	YE14511200000	Limit switch YBLXW-5/11G2	Assembly	1	
14	YW68004500000	Inner hex. flat end lock screw GB/T77 M4x5-Longzine		4	
13	YE90052400300	Thermocouple 5x2LxM8x1SM (SCAD-12U-A-37 Ver A)	Assembly	1	
12	BH11552200110	Flat key 5X5X22MM MDD-40U/20H-B-12(45#)(Ver 0)	45	1	
11	MDD-40U/20H-B-11	Silicone Teflon gasket for lower cover	Red silicone+Teflon	1	
10	YW68041000000	Inner hex. flat end lock screw GB/T77 M4x10-Longzine		1	
9	MDD-40U/20H-B-09	Micro switch fixed piece	SUS201	1	
8	MDD-40U/20H-B-08	Fixed block	SPCC15	3	
7	BH11402010610	Double head screw MDD-40U/20H-B-07 (355MM long) (version 0)	SUS200	3	
6	YW09402003500	Driving gear MDD-40U/20H-B-06 (45 #) blackened (version 0)	45	1	
5	YW09402003600	Driven gear MDD-40U/20H-B-05 (45 #) blackened (version 0)	45	1	
4	MDD-40U/20H-B-04	Gear driven shaft	45	1	
3	BA90402000210	Honeycomb lower cover MDD-40U /20H-B-03 (processed) (with mold)	ZL101	1	
2	BA90402000110	Honeycomb upper cover MDD-40U/ 20H-B-02 (processed) (with mold)	ZL101	1	
1	YW71128200100	Honeycomb φ128 * 200 (MDD-40U/20H-B-01 (full molecular sieve) (version 0)	Assembly	1	

序号	代号	名称	材质	数量	备注
			比例 /	数量 /	
				材质 /	
			表面要求	/	
			物料号	/	

					制图	版号	0	标题	MDD-40U/20H	图号	MDD-40U/20H-B-ALL
					设计	核准			蜂巢组件		
					校对						
标记	更改前	更改后	更改人	日期	审核		日期				



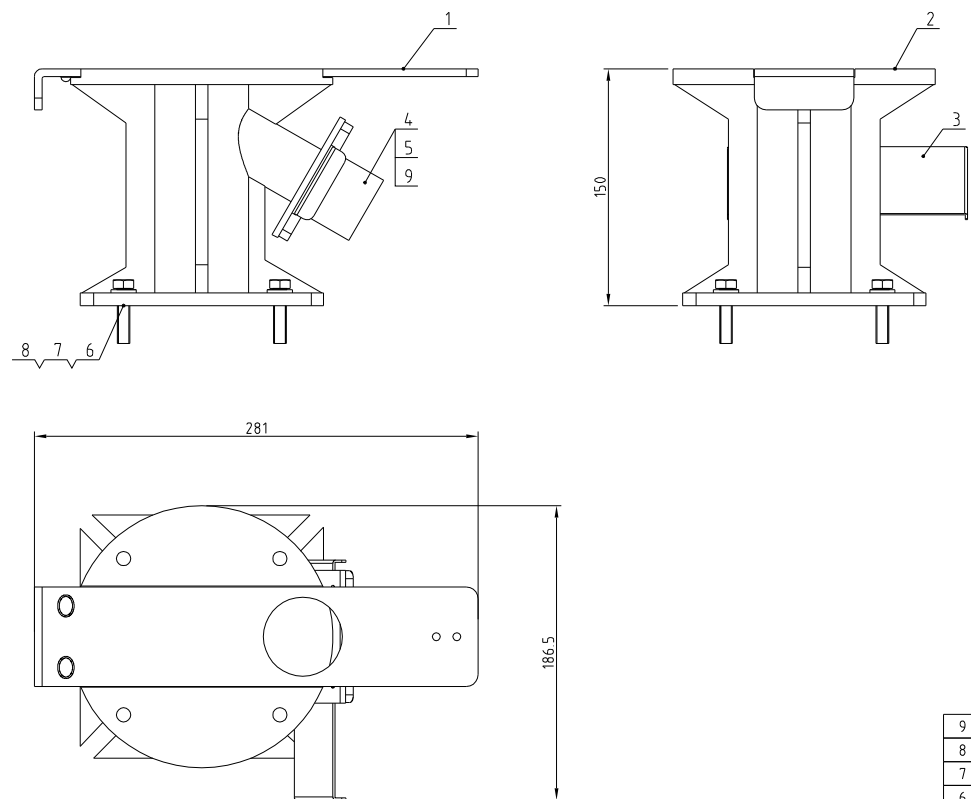
信易電熱機械股份有限公司  
Shini Plastics Technologies, Inc.



25	YR10008001300	Sight-glass fastener MHD-80U-A-12(Ver.0)(has mould)		1	
24	YR40000600800	Spring buckle plastic cushion block SAL-6U (with/without mould)		2	
23	BH10006003110	Hinge pin SAL-6U-A-3(SUS201)		1	
22	YW66051200000	Flat washer 5x12x1(SUS202)		4	
21	YW60512201000	Inner hexagon cylinder screw GB/T701 M5x12-A2-70(SUS)		4	
20	YW64000500000	Hexagonal nut M5 anti-loose		7	
19	MDD-40U/20H-A-07	Upper hinge	SUS201	1	
18	YW66000500000	E-type washer E5		2	
17	BL02012000720	Lower hinge MHD-120U-A-115(Cr/200/50x/MHD)		1	
16	YW60081600000	Hexagon bolt GB/T5783 M8x16-12.9-Longzine		4	
15	YW66081900000	Flat washer 8x19x2.0 Longzine		4	
14	SHD-20U-A-12	Inlet sealing plate		1	
13	YW65008000100	Standard spring washer GB/T93 B-Longzine		4	
12	YW68006600000	Insert flat end lock screw GB/T177 M6x6-Longzine		3	
11	YE90052400300	Thermocouple 5x2CLxM8x15M (SCAD-12U-A-37 Ver.0)	Assembly	1	
10	MDD-40U/20H-A-04	down-blow pipe assembly	SUS201	1	
9	MDD-40U/20H-A-03	Air exhaust pipe	SUS201	1	
8	BL08040400120	Hopper cover SCD-40U/60H-B-18(Ver.0)(has mould)	Weldment	1	
7	YW64040700100	Non-metal inserted hexagon lock nut GB/T885.1 L		4	
6	YW02003000400	Adjustable snap hook SAL-6U-A-35(Ver.1)		2	
5	MDD-40U/20H-A-02	Insulation board	SUS430	1	
4	YW62051000100	Large cross socket flat head screw JIS111 M5x9-Longzine		10	
3	MDD-40U/20H-A-06	Sight glass	SUS201(15)	1	
2	YW70008000000	Sight glass MHD-80U-A-10(Ver.0)	PC	1	
1	MDD-40U/20H-A-01	Storage tank	Assembly	1	

序号	代号	名称	材质	数量	备注
		标题 MDD-40U/20H 保温材料组件	图号 MDD-40U/20H-A-ALL	比例 /	数量 /
				表面要求 /	物料号 /
标记	更改前	更改后	更改人	日期	审核
					制图
					设计
					校对
					版号 0
					核准
					日期

**SHINI** 信易电热机械股份有限公司  
Shini Plastics Technologies, Inc.



9	YW69616100000	Hand screw M6×16×16		1	
8	YW66082200100	Large washer L Grade GB/T96818.4×2×21-Lonazine		4	
7	YW65008000100	Standard spring washer GB/T93 8-Lonazine		4	
6	YW60083500000	Hex bolt GB/T5781 M8×35-L 8-Lonazine		4	
5	YW63041200100	Cross recessed pan head screw GB/T1-818 M4×12-Lonazine		4	
4	MDD-40U/20H-G-02	Discharge port	SUS201	1	
3	YW09125000000	Small shut-off plate HB-12/50 with a thickness of 1.4mm HB-12-A-03 (Ver. 01 with mold)		1	
2	BH11000072810	Base	SUS201	1	
1	YW07001200000	Large shut-off plate HB-12-A-02 (Ver. All with mold)		1	
序号	代号	名称	材质	数量	备注

					制图	版号	0	标题	MDD-40U/20H	图号	MDD-40U/20H-G-ALL	比例	/	数量	/
					设计	核准		底座组件					材质	/	
					校对				信易电热机械股份有限公司		表面要求	/			
标记	更改前	更改后	更改人	日期	审核	日期			Shini Plastics Technologies, Inc.		物料号	/			