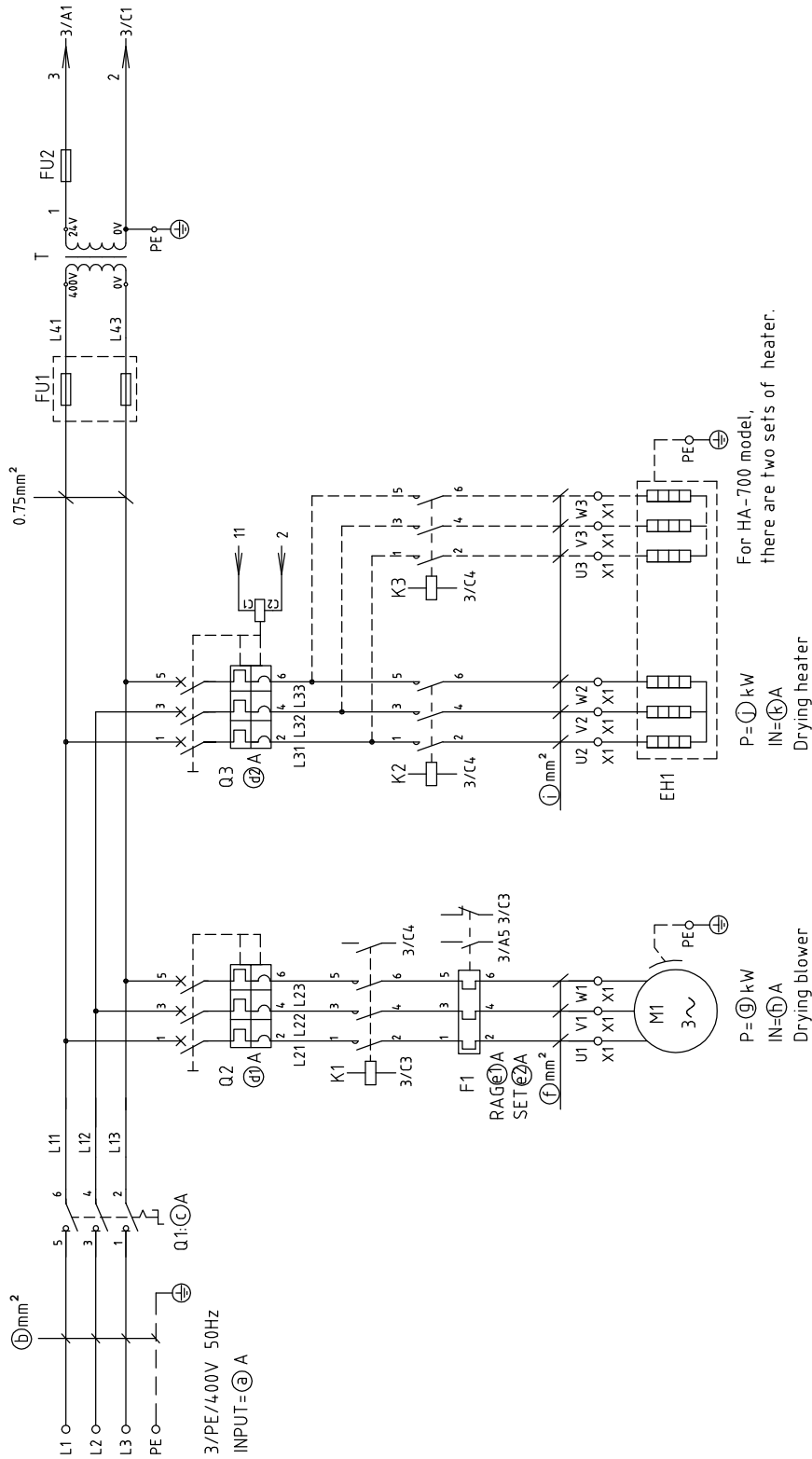


- (a) Total input current (d1) Drying blower breaker (f) Drying blower wire dia. (i) Heater wire dia.
 (b) Main power wire dia. (d2) Drying heater breaker (g) Drying blower power (j) Heater power
 (c) Main power switch (e1) Drying blower overload relay (e2) Default drying blower overload relay (h) Drying blower current
 (k) Heater current

Mode	Ver.	(a)	(b)	(c)	(d1)	(d2)	(e1)	(e2)	(f)	(g)	(h)	(i)	(j)	(k)
HA-30	Ver.B	3.5	2.5	16	6	6	0.14-0.2	0.18	1.5	0.05	0.14	1.5	2.2	3.3
HA-40	Ver.B	4.9	2.5	16	6	10	0.28-0.4	0.32	1.5	0.12	0.32	1.5	3.0	4.5
HA-60	Ver.B	6.3	2.5	16	6	10	0.28-0.4	0.32	1.5	0.12	0.32	1.5	3.9	5.9
HA-100	Ver.B	9.5	2.5	16	6	16	0.45-0.63	0.45	1.5	0.18	0.45	2.5	6.0	9.0
HA-200	Ver.B	18.6	4.0	25	6	25	0.55-0.8	0.65	1.5	0.25	0.65	4.0	12.0	18
HA-400	Ver.B	28.5	6.0	32	6	40	1.1-1.6	1.45	1.5	0.55	1.45	6.0	18.0	27
HA-600	Ver.B	28.5	6.0	32	6	40	1.1-1.6	1.45	1.5	0.55	1.45	6.0	18.0	27
HA-700	Ver.B	38.3	10.0	63	6	50	1.8-2.5	2.3	1.5	1.1	2.45	4.0	24	36

版本 Ver.B

Drawing No.		HA-30~700		Title		HA-30~700-CE-400V-A-1		Scale		Page 1	
Parameter List of Circuit Diagram		Version		A		Standard		CE		Totally 20 Pages	
SHINI 信易電熱機械股份有限公司 Shini Plastics Technologies, Inc.		Approved by		Date		Voltage		4.00V		Frequency	
Mark		Modified by		20170908		Frequency		50Hz			



For HA-700 model,
there are two sets of heater.

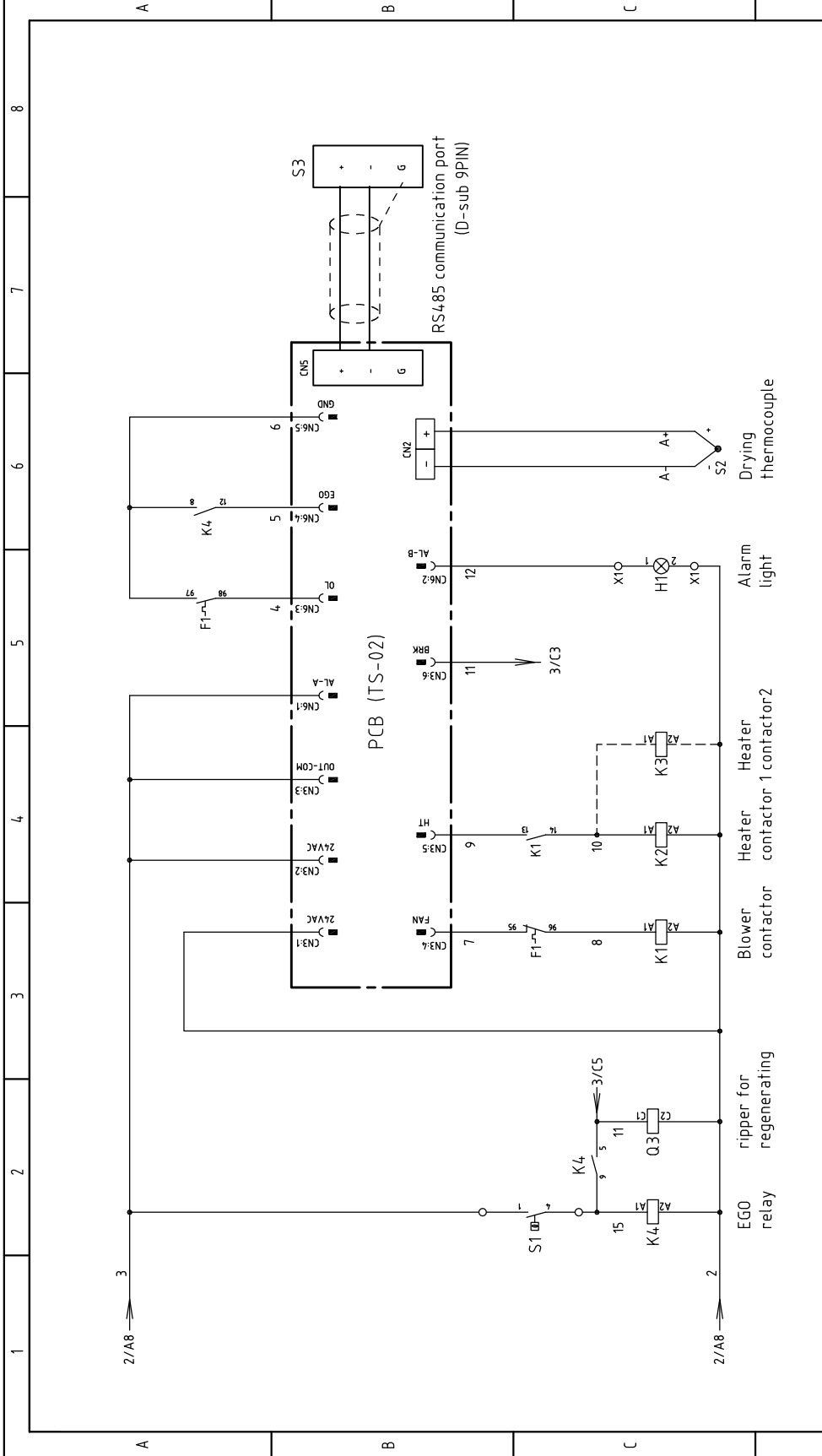
P=① kW
IN=② A
Drying heater

P=③ kW
IN=④ A
Drying blower

版本 Ver.B

Mark	Before modification	After modification	Modify date	Checked by	Approved by	Version	A	Title	HA-30~700 Main Circuit Diagram	Drawing NO.	HA-30~700-CE-400V-A-2	Scale	Page 2
								Standard	CE	Totally 20	Pages	Voltage	4,00V
												Frequency	50Hz

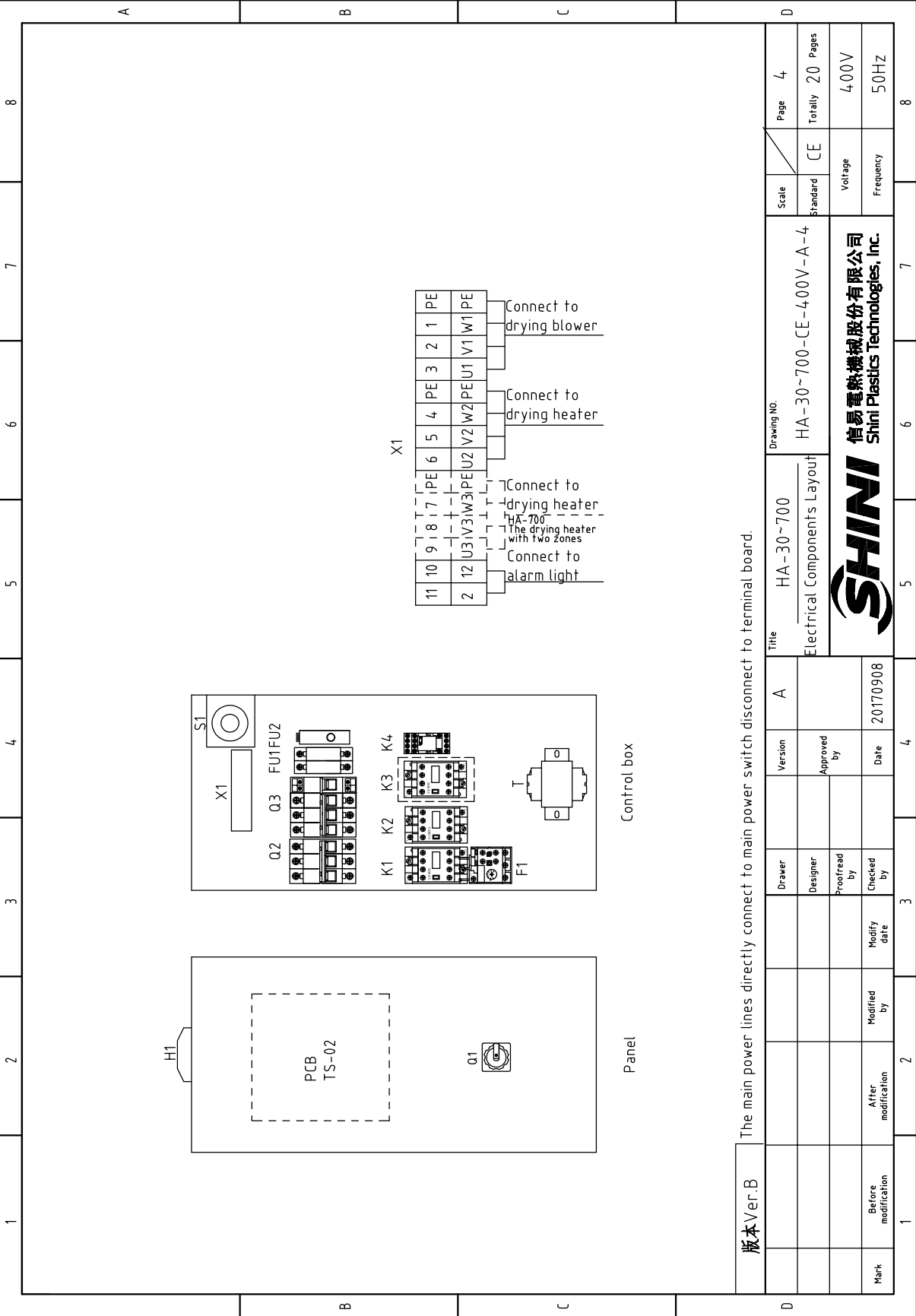




Mark	Before modification	After modification	Modify date	Checked by	Date	20170908
				Proofread by	Approved by	
				Designer	Version	A

Version	HA-30~700	Control Circuit Diagram
Scale	Standard	CE
Page	3	Totally 20
Pages	4,00V	50HZ


Drawing NO.		HA-30~700-CE-400V-A-3
Title		Control Circuit Diagram
Company		信易電熱機械股份有限公司 Shini Plastics Technologies, Inc.



The main power lines directly connect to main power switch disconnect to terminal board.

版本 Ver.B	Drawer	Version	A	Title	HA-30~700	Drawing NO.	HA-30~700-CE-400V-A-4	Scale	Page	4
	Designer	Approved by		Electrical Components Layout			CE	Standard	Totally	20
	Proofread by	Date	20170908				Voltage			400V
Mark	After modification	Modified by					Frequency			50Hz
	Modify date									
1	2	3	4	5	6	7	8			



1		2		3		4		5		6		7		8	
NO.	Symbol	Name	Manufacturer	Type	Specification	Number	Material number	Remark							
1	Q1	Main power switch	EATON	TO-2-1/EA/SVB/16A	16A 3P	1	YE10021160000								
2	Q3	Circuit-breaker	TECO	BM-63C/3006S	6A 3P	1	YE40300603000								
3		Excitation release	CHINT	MX	24V 50/60Hz	1	YE40024000000								
4	Q2	Circuit-breaker	TECO	BM-63C/3006S	6A 3P	1	YE40300603000								
5	K1	Contact	SIEMENS	3RT6015-1AB01	7A 1NO 24V 50/60Hz	1	YE00601502500								
6	K2	Contact	SIEMENS	3RT6016-1AB01	9A 24V 50/60Hz	1	YE00601602500								
7	K4	Middle relay	HONEYWELL	GR-2C-AC24V	24V 50/60Hz	1	YE03022400300								
8	F1	Overload relay	SIEMENS	3RU6116-0BB0	0.14-0.2A 50/60Hz	1	YE01611601300								
9	FU1	Fuse base	CHINT	RT28-32	2P	1	YE41032200000								
10		Fuse core	CHINT	10x38 500V	1A	2	YE46001000100								
11	FU2	Fuse	YINDA	FS-10	6x30mm 2A 250V	1	YE41001000000								
12	T	Transformer	BAIYUN	--	IN=400V OUT=24V 80VA	1	YE70040005900								
13	PCB	PCB	YUYUN	TS-02(24VAC)(含通讯)	24V 50/60Hz	1	YE80000101200								
14		Control box SSMD(SHD-40U-C-02) ABS+PC(30%)				1	YR40400200000								
15		Lamp cover(S/C-015)				1	YR90441300000								
16		Panel for HA105.5x84.5MM2016 Version sickness<65N/ Pressing plate of display screen SHD-80U-A-43(88x53x0.3x1.010				1	YR011055056600/YR90100000003300								
17	S1	Temperature protector	EGO	--	115-320 °C	1	BH90115000150								
18	S2	Thermocouple	SHINI	K TYPE	--	1	----	(1)							
19	H1	Alarm light	SHINI	LED-3051	24V 50/60Hz	1	YE83305100900								
20	X1	Terminal	HOLLEYWELL	--	4mm ²	6	YE60000403200								
21					4mm ² PE	2	YE60000403500								
22					2.5mm ²	2	YE60002503200								
23	M1	Blower	--	--	0.05kW	1	----	(1)							
24	EH1	Heater	SHINI	--	2.2kW	1	----	(1)							
25	S3	D 9-pin communication port (Equipped with screw)	--	--	--	1	YE90048501200								
版本Ver.B															
Notes: (1)Means it's not the material inside the control box.															
				Drawer	Version	A	Title		Drawing NO.		Scale	Page	5		
				Designer	Approved by		HA-30		HA-30-700-CE-4.00V-A-5		Standard	CE	Voltage		4.00V
				Proofread by	Date	20170908	Electrical Components List 1						Frequency		5.0Hz
				Checked by					信易塑料机械股份有限公司 Shini Plastics Technologies, Inc.				Totally		20
				Modified by	Modify date								Pages		8
				Before modification									Page		8
				After modification									Page		8

1		2		3		4		5		6		7		8	
NO.	Symbol	Name	Manufacturer	Type	Specification	Number	Material number	Remark							
26		Shell RS485(SAL-700G-A-1910)	--	--	--	1	YR4,0048500000								
27		Terminal block E/GKseries(honeywell)			PCS	5	YE60000003900								
A															
B															
C															
D															
版本Ver.B Notes: (1)Means it's not the material inside the control box.															
		Title		Version		A		HA-30		Drawing NO.		Scale		Page 6	
		Electrical Components List 2		Approved by				HA-30~700-CE-4.00V-A-6		Standard		CE		Totally 20 Pages	
		Proofread by		Date		20170908						Voltage		4.00V	
Mark		Before modification		Modified by		Modify date		Checked by				Frequency		50HZ	
1		2		3		4		5		6		7		8	



1		2		3		4		5		6		7		8	
NO.	Symbol	Name	Manufacturer	Type	Specification	Number	Material number	Remark							
26		Shell RS485(SAL-700G-A-1910)	--	--	--	1	YR4,004,8500000								
27		Terminal block E/GKseries(honeywell)			PCS	5	YE60000003900								
A															
B															
C															
D															
版本Ver.B															
Notes: (1)Means it's not the material inside the control box.															
		Title		Version		A		HA-40		Drawing NO.		Scale		Page 8	
		Electrical Components List 2		Approved by				HA-30-700-CE-4.00V-A-8		Standard		CE		Totally 20 Pages	
		Proofread by		Date		20170908						Voltage		4.00V	
Mark		Before modification		Modified by		Modify date		Checked by				Frequency		50HZ	
1															
2															
3															
4															
5															
6															
7															
8															



1		2		3		4		5		6		7		8					
NO.	Symbol	Name	Manufacturer	Type	Specification	Number	Material number	Remark											
1	Q1	Main power switch	EATON	TO-2-1/EA/SVB/16A	16A 3P	1	YE10021160000												
2	Q3	Circuit-breaker	TECO	BM-63C/3010S	10A 3P	1	YE40301003000												
3		Excitation release	CHINT	MX	24V 50/60Hz	1	YE40024000000												
4	Q2	Circuit-breaker	TECO	BM-63C/3006S	6A 3P	1	YE40300603000												
5	K1	Contact	SIEMENS	3RT6015-1AB01	7A 1NO 24V 50/60Hz	1	YE00601502500												
6	K2	Contact	SIEMENS	3RT6016-1AB01	9A 24V 50/60Hz	1	YE00601602500												
7	K4	Middle relay	HONEYWELL	GR-2C-AC24V	24V 50/60Hz	1	YE03022400300												
8	F1	Overload relay	SIEMENS	3RU6116-0EB0	0.28-0.4A 690V 50/60Hz	1	YE01161280000												
9	FU1	Fuse base	CHINT	RT28-32	2P	1	YE41032200000												
10		Fuse core	CHINT	10x38 500V	1A	2	YE46001000100												
11	FU2	Fuse	YINDA	FS-10	6x30mm 2A 250V	1	YE41001000000												
12	T	Transformer	BAIYUN	--	IN=400V OUT=24V 80VA	1	YE70040005900												
13	PCB	PCB	YUYUN	TS-02(24VAC)(含通讯)	24V 50/60Hz	1	YE80000101200												
14		Control box SSMD(SHD-40U-C-02) ABS+PC(30%)				1	YR40400200000												
15		Lamp cover(SiC-015)				1	YR90441300000												
16		Panel for HA105.5x84.5MM2016 Version sickness<65N/ Pressing plate of display screen SHD-80U-A-43(88x53x0.3x1.010				1	YR011055056600/YR90100000003300												
17	S1	Temperature protector	EGO	--	115-320 °C	1	BH90115000150												
18	S2	Thermocouple	SHINI	K TYPE	--	1	----	(1)											
19	H1	Alarm light	SHINI	LED-3051	24V 50/60Hz	1	YE83305100900												
20	X1	Terminal	HOLLEYWELL	--	4mm ²	6	YE60000403200												
21					4mm ² PE	2	YE60000403500												
22					2.5mm ²	2	YE60002503200												
23	M1	Blower	--	--	0.12kW	1	----	(1)											
24	EH1	Heater	SHINI	--	3.9kW	1	----	(1)											
25	S3	D 9-pin communication port (Equipped with screw)	--	--	--	1	YE90048501200												
版本Ver.B																			
Notes: (1)Means it's not the material inside the control box.																			
				Drawer	Version	A	Title	HA-60	Electrical Components List 1	Drawing NO.	HA-30-700-CE-400V-A-9	Scale	CE	Page	9				
				Designer	Approved by											Totally	20		
				Proofread by	Checked by	Date										Voltage	400V		
				Modify date	20170908										Frequency	50Hz			
Mark	Before modification	After modification	Modified by	Modify date												Standard	CE	Page	9
SHINI 信易塑料机械股份有限公司 Shini Plastics Technologies, Inc.																			
1 2 3 4 5 6 7 8																			

1		2		3		4		5		6		7		8									
NO.	Symbol	Name	Manufacturer	Type	Specification	Number	Material number	Remark															
26		Shell RS485(SAL-700G-A-19)0	--	--	--	1	YR40048500000																
27		Terminal block E/GKseries(honeyweI)			PCS	5	YE60000003900																
A																							
B																							
C																							
D																							
版本Ver.B										Notes: (1)Means it's not the material inside the control box.													
		Title		Version		A		HA-100		Drawing NO.		Scale		Page 12									
		Electrical Components List 2		Approved by				HA-30~700-CE-400V-A-12		Standard		CE		Totally 20 Pages									
		Proofread by		Date		20170908				Voltage		4.00V											
Mark		Before modification		Modified by		Modify date		Checked by		Frequency		5.0Hz											
1										2		3		4		5		6		7		8	



1		2		3		4		5		6		7		8	
NO.	Symbol	Name	Manufacturer	Type	Specification	Number	Material number	Remark							
1	Q1	Main power switch	EATON	PT-25/EA/SVB/25A	25A 3P	1	YE10125250000								
2	Q3	Circuit-breaker	TECO	BM-63C/3025S	25A 3P	1	YE40302503000								
3		Excitation release	CHINT	MX	24V 50/60Hz	1	YE40024000000								
4	Q2	Circuit-breaker	TECO	BM-63C/3006S	6A 3P	1	YE40300603000	A							
5	K1	Contact	SIEMENS	3RT6015-1AB01	7A 1NO 24V 50/60Hz	1	YE00601502500								
6	K2	Contact	SIEMENS	3RT6027-1AC20	32A 24V 50/60Hz	1	YE00602702600								
7	K4	Middle relay	HONEYWELL	GR-2C-AC24V	24V 50/60Hz	1	YE03022400300								
8	F1	Overload relay	SIEMENS	3RU6116-0HB0	0.55-0.8A 690V 50/60Hz	1	YE01161550000								
9	FU1	Fuse base	CHINT	RT28-32	2P	1	YE41032200000								
10		Fuse core	CHINT	10x38 500V	1A	2	YE46001000100								
11	FU2	Fuse	YINDA	FS-10	6x30mm 3A 250V	1	YE41001000000/YE46630500200	B							
12	T	Transformer	BAIYUN	--	IN=400V OUT=24V 80VA	1	YE70040005900								
13	PCB	PCB/SSMD(SHD-40U-C-02) ABS+PC(30%)		TS-02(24VAC)(含通讯)	24V 50/60Hz	1	YE80000101200/YR4040400200000								
14		Lamp cover(SIC-015)				1	YR90441300000								
15		Panel for HA105.5x84.5MM2016 Version sickness-65N/ Pressing plate of display screen SHD-80U-A-4(3188x53x0.3x1.0)				1	YR01055066000/YR9000000003500								
16	S1	Temperature protector	EGO	--	115-320 °C	1	BH90115000150								
17	S2	Thermocouple	SHINI	K TYPE	--	1	----	(1)							
18	H1	Alarm light	SHINI	LED-3051	24V 50/60Hz	1	YE83305100900								
19	X1	Terminal	HOLLEYWELL	--	2.5mm ²	2	YE60002503200								
20	X1	Terminal	HOLLEYWELL	--	4mm ²	6	YE60000403200								
21					4mm ² PE	2	YE60000403500								
22	M1	Blower	--	--	0.25kW	1	----	(1)							
23	EH1	Heater	SHINI	--	12kW	1	----	(1)							
24	S3	D 9-pin communication port (Equipped with screw)	--	--	--	1	YE90048501200								
25		Shell RS485(SAL-700G-A-1910)	--	--	--	1	YR40048500000								
版本 Ver.B Notes: (1)Means it's not the material inside the control box.															
		Drawer		Version		A		Title		Drawing NO.		Scale		Page 13	
		Designer		Approved by				HA-200		HA-30-700-CE-4.00V-A-13		Standard		CE	
		Proofread by		Date		20170908		Electrical Components List 1				Voltage		4.00V	
		Checked by										Frequency		5.0Hz	
Mark		Before modification		After modification		Modified by		Modify date							
1		2		3		4		5		6		7		8	
D															
SHINI 信易塑料机械股份有限公司 Shini Plastics Technologies, Inc.															

1		2		3		4		5		6		7		8	
NO.	Symbol	Name	Manufacturer	Type	Specification	Number	Material number	Remark							
26		Terminal block E/GKseries(honeywell)			PCS	5	YE60000003900								
A															
B															
C															
D															
版本 Ver.B Notes: (1)Means it's not the material inside the control box.															
		Title		Version		A		HA-200		Drawing NO.		Scale		Page 14	
		Electrical Components List 2		Approved by				HA-30~700-CE-4.00V-A-14		Standard		CE		Totally 20 Pages	
		Proofread by		Date		20170908				Voltage		4.00V			
Mark		Before modification		Modified by		Modify date		Checked by		Frequency		50HZ			
1 2 3 4 5 6 7 8															



1		2		3		4		5		6		7		8	
NO.	Symbol	Name	Manufacturer	Type	Specification	Number	Material number	Remark							
1	Q1	Main power switch	EATON	P1-32/EA/SVB 32A	32A 3P	1	YE10323200000								
2	Q3	Circuit-breaker	TECO	BM-63C/3040S	40A 3P	1	YE40304-003000								
3		Excitation release	CHINT	MX	24V 50/60Hz	1	YE40024-000000	A							
4	Q2	Circuit-breaker	TECO	BM-63C/3006S	6A 3P	1	YE40300603000								
5	K1	Contact	SIEMENS	3RT6015-1AB01	7A 1NO 24V 50/60Hz	1	YE00601502500								
6	K2	Contact	SIEMENS	3RT6028-1AC20	38A 24V 50/60Hz	1	YE00602802600								
7	K4	Middle relay	HONEYWELL	GR-2C-AC24V	24V 50/60Hz	1	YE030224-00300								
8	F1	Overload relay	SIEMENS	3RU6116-1AB0	1.1-1.6A 690V 50/60Hz	1	YE01160110000								
9	FU1	Fuse base	CHINT	RT28-32	2P	1	YE41032200000								
10		Fuse core	CHINT	10x38 500V	1A	2	YE46001000100								
11	FU2	Fuse	YINDA	FS-10	6x30mm 3A 250V	1	YE41001000000/YE46630500200	B							
12	T	Transformer	BAIYUN	--	IN=400V OUT=24V 80VA	1	YE7004-0005900								
13	PCB	PCB/SSMD(SHD-40U-C-02) ABS+PC(30%)		TS-02(24VAC)(含通讯)	24V 50/60Hz	1	YE80000101200/YR404-00200000								
14		Lamp cover(SIC-015)				1	YR90441300000								
15		Panel for: HA105.5x84.5MM2016 Version sickness-65N/ Pressing plate of display screen SHD-80U-A-43188x53x0.3x1.010				1	YR01055066000/YR9000000003500								
16	S1	Temperature protector	EGO	--	115-320 °C	1	BH90115000150								
17	S2	Thermocouple	SHINI	K TYPE	--	1	----	(1)							
18	H1	Alarm light	SHINI	LED-3051	24V 50/60Hz	1	YE83305100900								
19	X1	Terminal	----	--	6mm ²	3	YE60000603200								
20					6mm ² PE	1	YE60000603500								
21					4.0mm ²	3	YE600004-03200								
22					4.0mm ² PE	1	YE600004-03500								
23					2.5mm ²	2	YE60002503200								
24	M1	Blower	--	--	0.55kW	1	----	(1)							
25	EH1	Heater	SHINI	--	18kW	1	----	(1)							
版本 Ver.B Notes: (1)Means it's not the material inside the control box.															
				Drawer	Version	A	Title		Drawing NO.		Scale	Page	17		
				Designer	Approved by		HA-600		HA-30-700-CE-4.00V-A-17		Standard	CE	Totally 20 Pages		
				Proofread by	Date	2017/09/08	Electrical Components List 1		SHINI		Voltage		4.00V		
				Checked by	Modify date		SHINI		Shini Plastics Technologies, Inc.		Frequency		5.0Hz		
Mark	Before modification	After modification	Modified by	Modify date	Checked by	Date	SHINI		SHINI		Voltage		4.00V		
1	2	3	4	5	6	7	SHINI		SHINI		Frequency		5.0Hz		

1		2		3		4		5		6		7		8	
NO.	Symbol	Name	Manufacturer	Type	Specification	Number	Material number	Remark							
1	Q1	Main power switch	EATON	P3-63/EA/SVB 63A	63A 3P 690V 50/60Hz	1	YE10636300000								
2	Q3	Circuit-breaker	TECO	BM-63C/3050S	50A 3P	1	YE40305003000								
3	A	Excitation release	CHINT	MX	24V 50/60Hz	1	YE40024000000								
4	Q2	Circuit-breaker	TECO	BM-63C/3006S	6A 3P	1	YE40300603000								
5	K1	Contact	SIEMENS	3RT6015-TAB01	7A 1NO 24V 50/60Hz	1	YE00601502500								
6	K2 K3	Contact	SIEMENS	3RT6027-1AC20	32A 24V 50/60Hz	2	YE00602702600								
7	K4	Middle relay	HONEYWELL	GR-2C-AC24V	24V 50/60Hz	1	YE03022400300								
8	F1	Overload relay	SIEMENS	3RU6116-1CB0	18-2.5A 690V 50/60Hz	1	YE01160180000								
9	FU1	Fuse base	CHINT	RT28-32	2P	1	YE41032200000								
10		Fuse core	CHINT	10x38 500V	1A	2	YE46001000100								
11	FU2	Fuse	YINDA	FS-10	6x30mm 5A 250V	1	YE41001000000/YE46630500100								
12	T	Transformer	BAIYUN	--	IN=400V OUT=24V 120VA	1	YE70402400700								
13	PCB	PCB/SSMD(SHD-40U-C-02) ABS+PC(30%)		TS-02(24VAC)(含通讯)	24V 50/60Hz	1	YE80000101200/YR40400200000								
14		Lamp cover(SIC-015)				1	YR90441300000								
15		Panel for HA W5.5x84.5MM2016 Version sickness>65N/ Pressing plate of display screen SHD-80U-A-43188x53x0.3x1.010				1	YR01055066000/YR900000003500								
16	S1	Temperature protector	EGO	--	115-320 °C	1	BH90115000150								
17	S2	Thermocouple	SHINI	K TYPE	--	1	----	(1)							
18	H1	Alarm light	SHINI	LED-3051	24V 50/60Hz	1	YE83305100900								
19	X1	Terminal	HOLLEYWELL	--	6mm ²	6	YE60000603200								
20					6mm ² PE	2	YE60000603500								
21					4.0mm ²	3	YE60000403200								
22					4.0mm ² PE	1	YE60000403500								
23					2.5mm ²	2	YE60002503200								
24	M1	Blower	--	--	1.1kW	1	----	(1)							
25	EH1EH2	Heater	SHINI	--	12kW	2	----	(1)							
版本Ver.B															
Notes: (1)Means it's not the material inside the control box.															
				Drawer	Version	A	Title		Drawing NO.		Scale	Page	19		
				Designer	Approved by		HA-700		HA-30-700-CE-4.00V-A-19		Standard	CE	Totally 20 Pages		
				Proofread by	Date	20170908	Electrical Components List 1		SHINI		Voltage		4.00V		
				Checked by	Modify date		SHINI		Shini Plastics Technologies, Inc.		Frequency		5.0Hz		
Mark	Before modification	After modification	Modified by	Modify date	20170908										
1	2	3	4	5	6	7	8								

1	2		3	4	5	6	7	8
NO.	Symbol	Name	Manufacturer	Type	Specification	Number	Material number	Remark
26	S3	D, 9-pin communication port (Equipped with Screw)	--	--	--	1	YE90048501200	
27		Shell RS485(SAL-700G-A-19)0	--	--	--	1	YR40048500000	
28		Terminal block E/GKseries(honeywell)			PCS	5	YE600000003900	A
A								
B								
C								
D								
版本Ver.B Notes: (1)Means it's not the material inside the control box.								
			Drawer	Version	Title	Drawing NO.		Scale
			Designer	Approved by	HA-700	HA-30-700-CE-4.00V-A-20		Standard
			Proofread by	Date	Electrical Components List 2			Voltage
			Checked by	20170908				Frequency
			Modified by					4.00V
			Modify date					5.0HZ
			Before modification					Totally
			After modification					Page
								20
								20
								8

