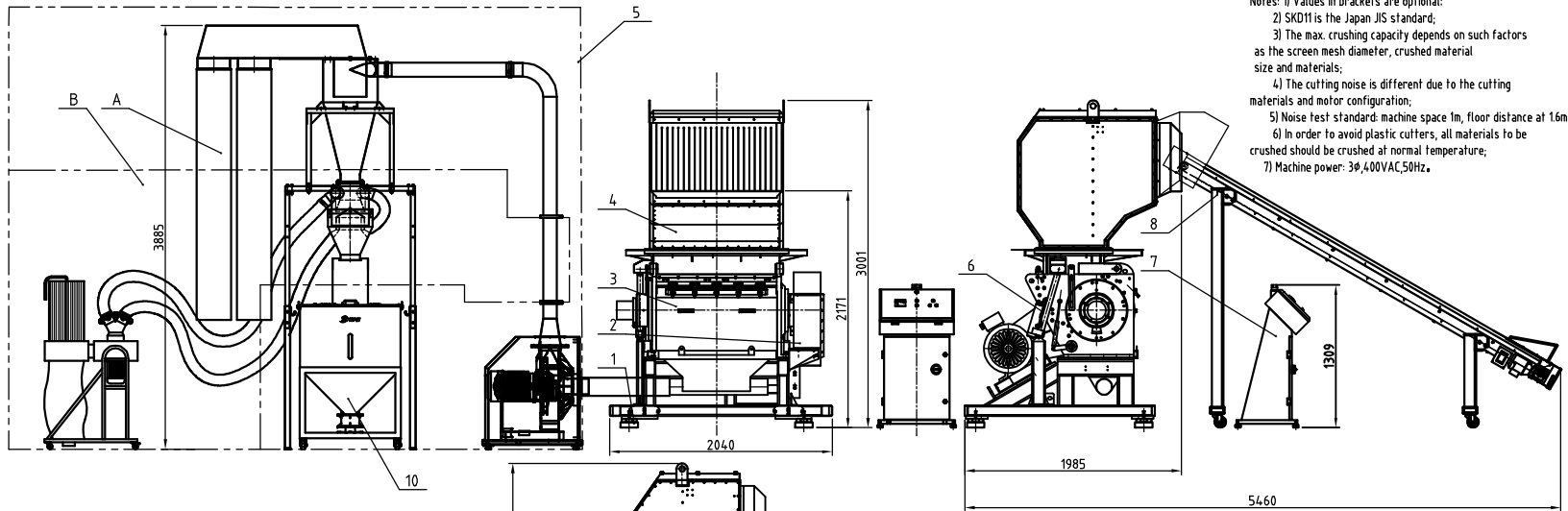


| | | | | | | | | | | |
|---------------------|-------------------|------------------------------|---------------------------|----------------------|-------------------|-----------------|----------------------------|--------------------------|------------------|----------|
| Standard weight(kg) | Noise level dB(A) | Max. cutting ability (kg/hr) | Cutting Chamber Size (mm) | Rotating Cutter Qty. | Fixed Cutter Qty. | Cutter Material | Conveying blower power(KW) | Main Shaft Speed (r.p.m) | Motor Power (kw) | Ver. No. |
| 3780 | 110~115 | 1500 | 500×1100 | 3×2(5×2) | 2×2(3×2) | SKD11 | 7.5 | 525 | 45 | Ver.E |

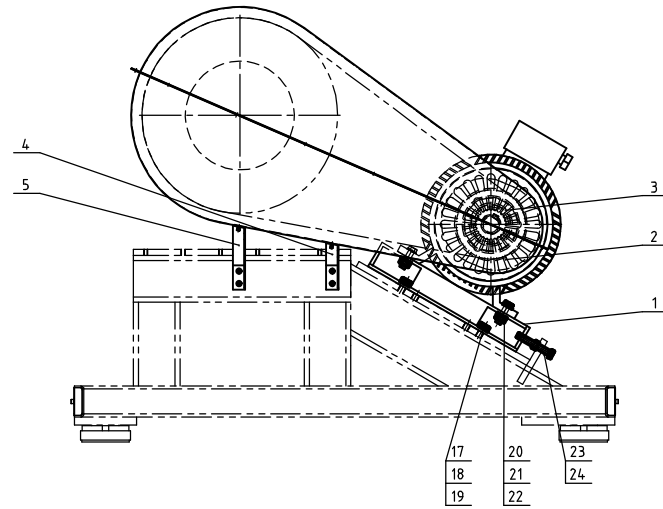
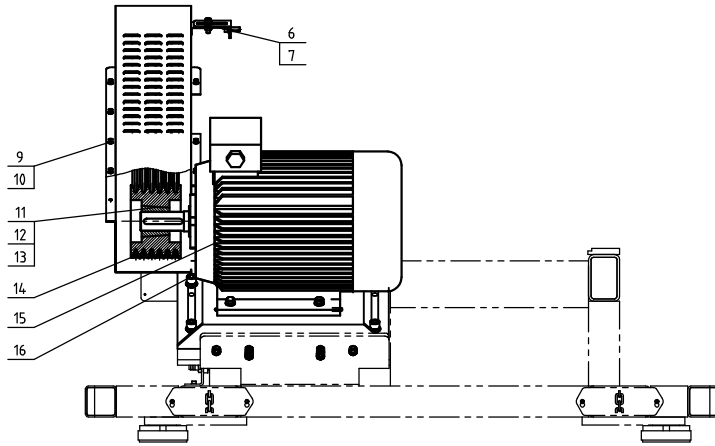


Notes: 1) Values in brackets are optional;
 2) SKD11 is the Japan JIS standard;
 3) The max. crushing capacity depends on such factors as the screen mesh diameter, crushed material size and materials;
 4) The cutting noise is different due to the cutting materials and motor configuration;
 5) Noise test standard: machine space 1m, floor distance at 1.6m;
 6) In order to avoid plastic cutters, all materials to be crushed should be crushed at normal temperature;
 7) Machine power: 3φ, 400VAC, 50Hz.

| | | | | | | | | | |
|----|------------------------------|--------------------------|--|----|--|---|-------------------------|---|--------|
| 11 | -- | Extended feeding hopper | Assembly | 1 | borrow/option | | | | |
| 10 | BY5050000150 | Storage hopper MST-300 | Assembly | 1 | optional | | | | |
| 09 | -- | 3 rotating blade rest | Assembly | 1 | borrow/accessory | | | | |
| 08 | BY50501101750 | bell conveyor | Assembly | 1 | borrow/option | | | | |
| 07 | -- | With elec. device | Assembly | 1 | borrow | | | | |
| 06 | -- | Elec. handsplic device | Assembly | 1 | borrow | | | | |
| 05 | BY50005000050 | Conveying assembly | <table border="1"> <tr> <td>B</td> <td>De-dusting separating system</td> </tr> <tr> <td>A</td> <td>Linear conveying system</td> </tr> </table> | B | De-dusting separating system | A | Linear conveying system | 1 | option |
| B | De-dusting separating system | | | | | | | | |
| A | Linear conveying system | | | | | | | | |
| -- | -- | | | 1 | option | | | | |
| 04 | -- | Feed box assembly | Assembly | 1 | borrowable feed is optional | | | | |
| 03 | -- | Cutting chamber assembly | Assembly | 1 | borrow/3 fixed is rotating is optional | | | | |
| 02 | -- | Main transmission device | Assembly | 1 | borrow | | | | |
| 01 | -- | Rack assembly | Assembly | 1 | borrow | | | | |
| 序号 | 代号 | 名称 | 材质 | 数量 | 备注 | | | | |

| | | | | | | | |
|----|-----|-----|-----------|----|----|------|-----|
| 制图 | 版号 | 标题 | SG-50110B | 图号 | | 比例 | 数量 |
| 设计 | 核准 | 总成 | | | | 材质 | |
| 校对 | | | | | | 表面要求 | |
| 标记 | 更改前 | 更改后 | 更改人 | 日期 | 审核 | 日期 | 物料号 |

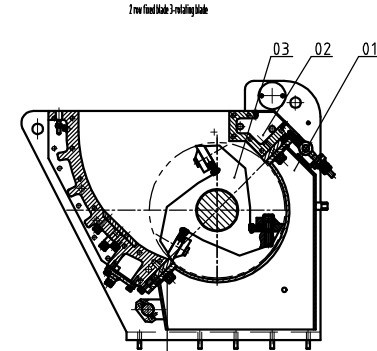
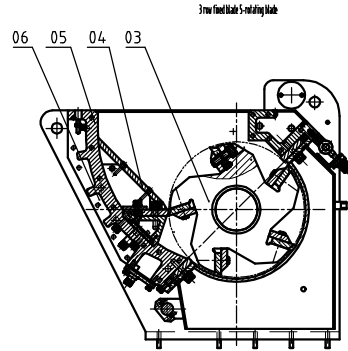
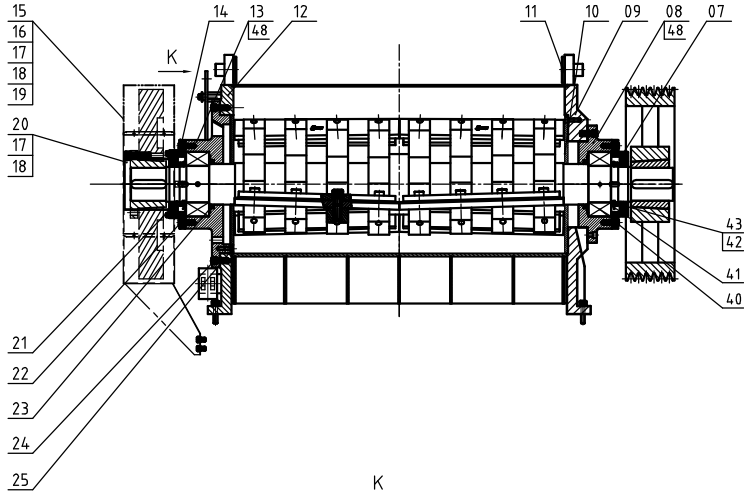
SHINI 信易电热机械股份有限公司
 Shini Plastics Technologies, Inc.



| | | | | | |
|----|----------------|---------------------------------------|--------|----|--|
| 24 | YW611161200300 | Inner hex column head screw M6-D | 12.9 | 4 | |
| 23 | YW640016000000 | Hex nut M6 M16 | 5 | 4 | |
| 22 | YW611610000000 | Inner hex column head screw M6-D | 12.9 | 4 | |
| 21 | YW661640000000 | Flat washer 16 | 14.0HV | 4 | |
| 20 | YW650162000000 | Spring washer 16 | 65Mn | 4 | |
| 19 | YW601670003000 | Ext. hex column head screw M6x3/flat | 12.9 | 4 | |
| 18 | YW650200000000 | Spring washer 20 | 65Mn | 8 | |
| 17 | YW662037000000 | Flat washer 20 | 14.0HV | 12 | |
| 16 | YW602060000000 | Hex bolt M20x60 M20x60 | 8.8 | 4 | |
| 15 | YM102045004000 | Nut M20 316W-M255-AP B31 E3 4MM/9/4MM | | 1 | |
| 14 | YR003150000000 | Narrow v-belt SPC 350 | | 6 | |

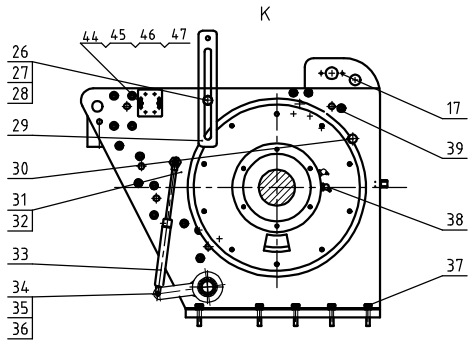
| | | | | | |
|----|----------------|-----------------------------------|---------|----|------------|
| 13 | GB/T1096 | Comm flat key CBk425 | 35 | 1 | with motor |
| 12 | YW303535060000 | Belt pulley sleeve 3535-φ60 | HT200 | 1 | |
| 11 | YW302246000000 | Small belt pulley SPC24-6-3535 | HT200 | 1 | |
| 10 | YW650080000200 | Spring washer 8 | 65Mn | 21 | |
| 09 | YW660819000000 | Flat washer 8 | 14.0HV | 21 | |
| 08 | YW610820000200 | Inner hex column head screw M8x20 | 8.8 | 17 | |
| 07 | YW640121000000 | Nut M12 | 6.8 | 1 | |
| 06 | -- | With pulley cover fixed plate | SPH6.0 | 1 | |
| 05 | -- | Pulley cover short support | SPH5.0 | 1 | |
| 04 | -- | Pulley cover long support | SPH5.0 | 1 | |
| 03 | -- | With pulley cover upper part | SPCC15 | 1 | |
| 02 | -- | With pulley cover lower part | SPCC15 | 1 | |
| 01 | -- | Motor mount base | SPH10.0 | 1 | |
| 序号 | 代号 | 名称 | 材质 | 数量 | 备注 |

| | | | | | | | | | | |
|----|-----|-----|-----|----|----|----|--|----|------|----|
| | | | | | 制图 | 原号 | 标题 | 图号 | 比例 | 数量 |
| | | | | | 设计 | 核 | SG-50110(B) | | 1:1 | 1 |
| | | | | | 校对 | 准 | 主传动装置 | | 表面要求 | 材质 |
| | | | | | 审核 | 日期 | SHINI 信易电热机械股份有限公司 Shini Plastics Technologies, Inc. | | 物料号 | |
| 标记 | 更改前 | 更改后 | 更改人 | 日期 | 审核 | 日期 | | | | |



SG-50110B Granulator Code Table

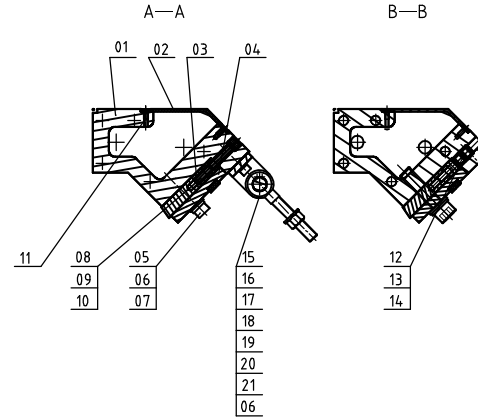
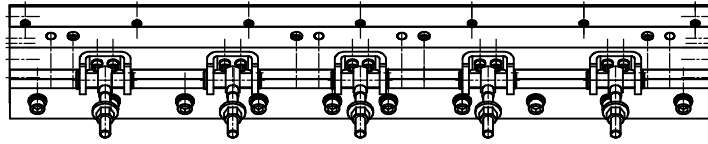
| Model | rows of feed blade | rows of rotating blade | Cutter/Plt |
|------------|--------------------|------------------------|------------|
| SG-50110B | 2 | 3 | SKD11 |
| SG-50110AB | 3 | 5 | SKD11 |
| SG-50110FB | Flux adding blade | | V-4-E |



| | | | | |
|-----|---------------|---|----------|----|
| 4.8 | YW09105000000 | aluminum pin M10-50/GB/T119-1145# steel | 4 | |
| 4.7 | YW65005200000 | Standard spring washer GB/T93 5-Longzine | 2 | |
| 4.6 | YW66051300000 | Flat washer A grade GB/T191 5B.5x16x4-Longzine | 2 | |
| 4.5 | YW61051200100 | hex hex column head screw GB/T1104-04-02-1-Longzine | 2 | |
| 4.4 | -- | Safety switch fixed plate | SPH5.0 | 1 |
| 4.3 | YW64120200000 | Small round nut GB/T810 M120-2-45 steel | 5 | 2 |
| 4.2 | YW09120000000 | Lock washer for round nut D1 120 | Q235A | 2 |
| 4.1 | BL55501701220 | Bearing end ring | SPH5.0 | 2 |
| 4.0 | YW11232200000 | Self-aligning roller bearing 2.3224.CE4 | 5 | 2 |
| 3.9 | YW61166000000 | hex hex column head screw GB/T1104-04-02-1-Longzine | | 38 |
| 3.8 | YW04010100000 | drilling machine M10-x11 fine thread GB/T1162-45 | H62 | 2 |
| 3.7 | YW61260000000 | hex hex column head screw GB/T1104-04-02-1-Longzine | | 10 |
| 3.6 | YW64001000100 | Hex nut GB/T6170 M10-Longzine | | 2 |
| 3.5 | YW66102500000 | Flat washer C grade GB/T191 10B.10x20x4-Longzine | 14.0HV | 6 |
| 3.4 | YW61106500000 | hex hex column head screw GB/T1104-04-02-1-Longzine | | 2 |
| 3.3 | YW01441600000 | Pneumatic spring 44.0mmx455mmx180PH | | 2 |
| 3.2 | YW09253000000 | Opening pin 2.53 28x30 | Q235A | 2 |
| 3.1 | BH10509001210 | Pneumatic spring pin | 4.5 | 2 |
| 3.0 | -- | Screen frame limit spring assembly | Assembly | 1 |
| 2.9 | -- | Machine side hanging plate | SPH8.0 | 1 |
| 2.8 | YW66081900000 | Flat washer 8x19x2.0-Longzine | 14.0HV | 1 |
| 2.7 | YW61082001200 | hex hex column head screw GB/T1104-04-02-1-Longzine | | 1 |
| 2.6 | BH11501300210 | Hanging plate lower pin shaft | 4.5 | 1 |

| | | | | | |
|-----|----------------|---|----------|----|---------------------------|
| 2.5 | YW61123000100 | hex hex. outer hex head screw GB/T1104-04-02-1-Longzine | | 6 | |
| 2.4 | YW61124000000 | hex hex. column head screw GB/T1104-04-02-1-Longzine | | 20 | |
| 2.3 | YR20161300000 | Lip seal ring of inner package frame | | 2 | |
| 2.2 | YW61104000200 | Roller shaft | | 12 | |
| 2.1 | YR20115100000 | Lip seal ring of inner package frame | | 2 | FB11514.012 |
| 2.0 | -- | Left end cover | SPCC1.5 | 1 | Cancel with standard type |
| 1.9 | YW61061601200 | hex hex. column head screw GB/T1104-04-02-1-Longzine | | 4 | |
| 1.8 | YW66061300000 | Flat washer A grade GB/T191 16B.6x21x4-Longzine | | 10 | |
| 1.7 | YW62061000000 | Large cross recessed flat head screw J6M 10x-Longzine | | 6 | |
| 1.6 | -- | Hydroel upper cover | SPCC1.5 | 1 | Cancel with standard type |
| 1.5 | -- | Hydroel lower cover | SPCC1.5 | 1 | Cancel with standard type |
| 1.4 | BW30500900010 | Left bearing cover | QT500-7 | 1 | |
| 1.3 | BW30509002710 | Left bearing base | QT500-7 | 1 | |
| 1.2 | BW30500700010 | Left case block | QT500-7 | 1 | |
| 1.1 | BH10509001410 | Hinged shaft | 4.5 | 2 | |
| 1.0 | YW455090024.00 | Left & right tender plate | 65Mn | 2 | |
| 0.9 | BW305004.00010 | Right case block | QT500-7 | 1 | |
| 0.8 | BW30509002210 | Right bearing base | QT500-7 | 1 | |
| 0.7 | BW30509002110 | Right bearing cover | QT500-7 | 1 | |
| 0.6 | BH105093004.0 | Inner screw column pin | 4.5 | 12 | |
| 0.5 | -- | Hex bolt assembly | assembly | 1 | |
| 0.4 | -- | Three feed blade base | assembly | 1 | Option |
| 0.3 | -- | Blade shaft assembly | assembly | 1 | Steel one in two |
| 0.2 | -- | Front block assembly | assembly | 1 | |
| 0.1 | -- | Screw bracket assembly | assembly | 1 | |

| 标记 | 更改前 | 更改后 | 更改人 | 日期 | 制图 | 版号 | 标题 | 图号 | 比例 | 数量 | 备注 |
|----|-----|-----|-----|----|----|----|-------------|---|------|----|----|
| | | | | | 设计 | 核 | SG-50110(B) | | | | |
| | | | | | 校对 | 准 | 粉碎室总成 | | | | |
| | | | | | 审核 | | | | | | |
| | | | | | 日期 | | | 信易电热机械股份有限公司 Shini Plastics Technologies, Inc. | 表面要求 | | |
| | | | | | | | | | 物料号 | | |

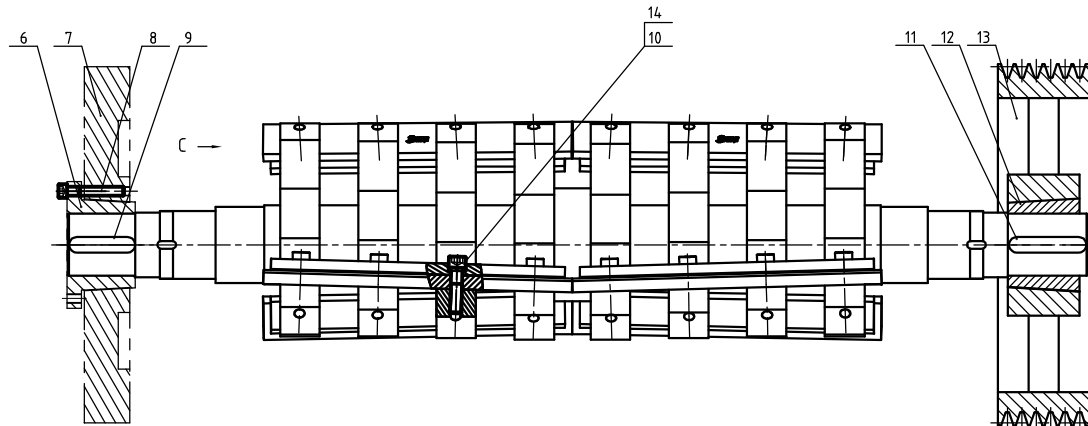


| | | | | | |
|----|---------------|---|---------|----|--|
| 21 | YW61103500000 | Hex. hex. column head screw GB/T6170 M6-20 Length | 12.9 | 10 | |
| 20 | YW66164000000 | Rd washer 16x4.0-5 | 14.0HV | 10 | |
| 19 | YW69002100000 | External retaining ring GB/T 891.1Z-42-78SUS | 65Mn | 5 | |
| 18 | -- | Star screw | 45 | 5 | |
| 17 | BH10500200310 | Shaft pin | 45 | 5 | |
| 16 | -- | Chain base | SPH10.0 | 5 | |
| 15 | YW64001600000 | Hex. nut GB/T6170 M6-Longzine | 8 | 5 | |

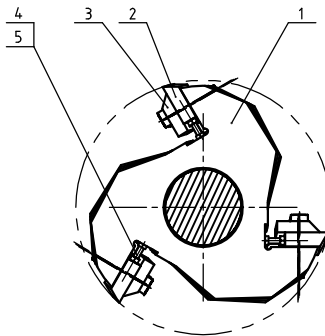
| | | | | | |
|----|---------------|---|-----------|----|---------------------|
| 14 | YW64001000100 | Hex. nut GB/T6170 M6-Longzine | 8 | 4 | |
| 13 | YW61103000100 | Hex. hex. column head screw GB/T6170 M6-20 Length | 8.8 | 4 | |
| 12 | YW61161600600 | Hex. hex. flat end set screw GB/T77 M6-16-8.8 | | 8 | |
| 11 | YW61061200100 | Hex. hex. round head screw GB/T6170 M6-12 Length | 8.8 | 14 | |
| 10 | YW65010000100 | Standard spring washer GB/T93 10-Longzine | 65Mn | 14 | |
| 09 | YW66102500000 | Flat washer C grade GB/T95 M10x14-8.8 Length | 14.0HV | 4 | |
| 08 | YW61108000000 | Hex. hex. column head screw GB/T6170 M6-20 Length | 12.9 | 4 | |
| 07 | YW65205200000 | Standard spring washer GB/T93 20 | 65Mn | 10 | |
| 06 | YW69000160000 | Washer 2H-37x3xSUSJ | SUS | 10 | |
| 05 | YW61208000000 | Hex. hex. column head screw GB/T6170 M6-20 Length | 12.9 | 10 | |
| 04 | BW30501102410 | Front block | Q235A | 2 | |
| 03 | YW42501100900 | Fixed blade (laser cut/annealed) | V-4E&S50C | 2 | Optical fiber cable |
| | YW42501101000 | Fixed blade | SKD11 | 2 | |
| | -- | Front block cover plate | SPH4.0 | 1 | |
| | BW30501102610 | Front block | QT500-7 | 1 | |

| 标记 | 更改前 | 更改后 | 更改人 | 日期 | 制图 | 版号 | 标题 | 图号 | 比例 | 数量 | 备注 |
|----|-----|-----|-----|----|----|----|-------|----|------|----|----|
| | | | | | 设计 | 版号 | 前箱块组件 | | 1:1 | 2 | |
| | | | | | 校对 | 核准 | | | 表面要求 | | |
| | | | | | 审核 | 日期 | | | 物料号 | | |





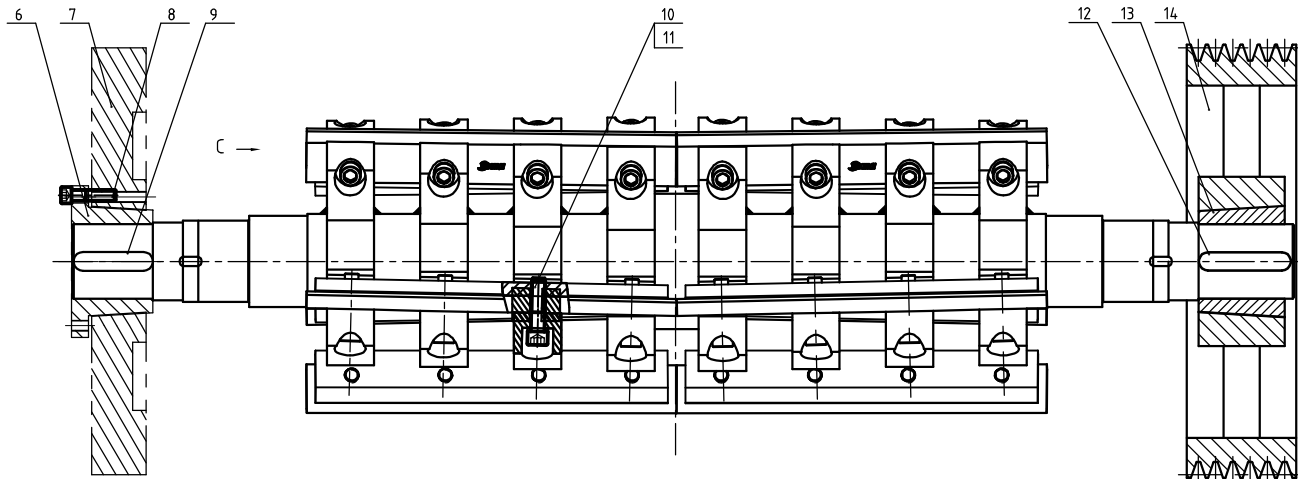
C 向



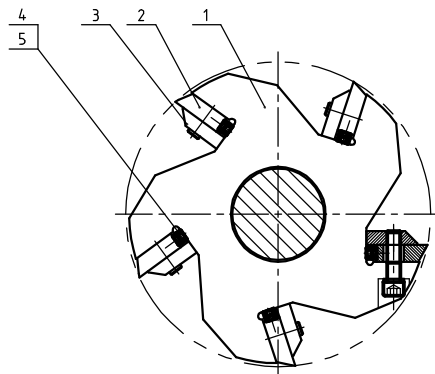
| | | | | | |
|----|----------------|---|-----------|----|---------------------------|
| 14 | YW65020000000 | Spring washer Ø1 | 65Mn | 24 | |
| 13 | YW30630600000 | Large ball pulley SPC630-6 | QT500-7 | 1 | Working with taper sleeve |
| 12 | YW30501100000 | Ball pulley sleeve SPS6-Ø110-127 | QT500-7 | 1 | Working with taper sleeve |
| 11 | BH11281370010 | Flat key 28x137 | 4.5 | 1 | |
| 10 | YW61208000000 | Inner hex. column head screw M20x80 | 12.9 | 24 | |
| 09 | BH1050110034.0 | Flat key 28x117 | 4.5 | 1 | Coated with standard type |
| 08 | YW61161000000 | Inner hex. column head screw M16x64/20.0 | 12.9 | 6 | Coated with standard type |
| 07 | BW30509003010 | Flywheel | QT500-7 | 1 | Coated with standard type |
| 06 | BW30509002910 | Flywheel sleeve | QT500-7 | 1 | Coated with standard type |
| 05 | YW64001000100 | Hex nut M10 | 5 | 12 | |
| 04 | YW60105000000 | Hex ball M10-50 | 8.8 | 12 | |
| 03 | BH11508000910 | 3 rotating blade pressing block (fiber contained) | 4.5 | 6 | type for alloy blade |
| | BH10501102610 | 3 rotating blade pressing block | Q235A | 6 | |
| 02 | YW42508000400 | rotating blade (fiber contained) | V-4E&S50C | 6 | type for alloy blade |
| | BW42501100710 | rotating blade | SKD11 | 6 | |
| 01 | BH10501102310 | 3 rotating blade rest | 组零件 | 1 | |
| 序号 | 代号 | 名称 | 材质 | 数量 | 备注 |

| | | | | | | | | | |
|----|-----|-----|-----|----|----|---|----|------|----|
| | | | | 制图 | 版号 | 标题 | 图号 | 比例 | 数量 |
| | | | | 设计 | 核 | SG-50110(B) | | ⊕ | 材质 |
| | | | | 校对 | 准 | 三动刀刀架轴组件 | | | |
| | | | | 审核 | 日期 | | | 表面要求 | |
| 标记 | 更改前 | 更改后 | 更改人 | 日期 | 日期 | SHINI 信易电热机械股份有限公司 Shini Plastics Technologies, Inc. | | 物料 | |

号



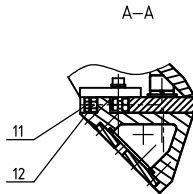
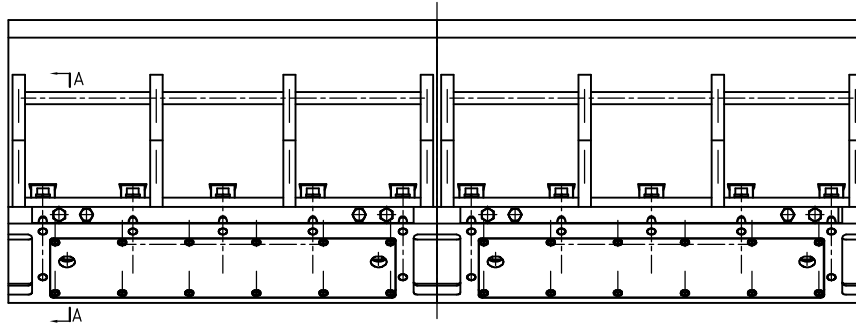
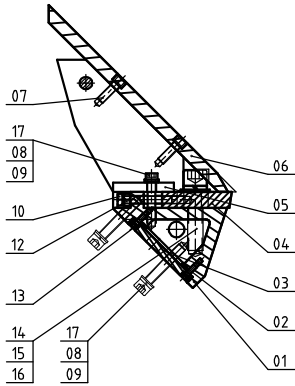
C 向



| | | | | | |
|----|---------------|---|------------------|-----|-------------------------------|
| 14 | YW30630600000 | Large ball pulley SPC630-6 | QT500-7 | 1 | Rolling with taper sleeve |
| 13 | YW30501100000 | Ball pulley sleeve S350-φ110-127 | QT500-7 | 1 | Rolling with taper sleeve |
| 12 | BH11281370010 | Flat key 28×137 | 4.5 | 1 | |
| 11 | YW65020000000 | Spring washer 20 | 65Mn | 4.0 | |
| 10 | YW61208000000 | Inner hex. column head screw M20M200×80 | 12.9 | 4.0 | |
| 09 | BH10501100340 | Flat key 28×117 | 4.5 | 1 | Cancel with standard flywheel |
| 08 | YW61161000000 | Inner hex. column head screw M16×100 | 12.9 | 6 | Cancel with standard flywheel |
| 07 | BW30509003010 | Flywheel | QT500-7 | 1 | Cancel with standard flywheel |
| 06 | BW30509002910 | Flywheel sleeve | QT500-7 | 1 | Cancel with standard flywheel |
| 05 | YW60105000000 | Hex nut M16-50 | 8.8 | 20 | |
| 04 | YW64001000100 | Hex nut M16 | 5 | 20 | |
| 03 | BH11508000610 | Rotating blade pressing block (fiber contained) | 4.5 | 10 | Optional fiber cutting blade |
| | BH10501100240 | Rotating blade pressing block | Q235A | 10 | |
| 02 | YW42508000400 | Rotating blade (fiber contained) | V-4E&S50C | 10 | Optional fiber cutting blade |
| | BW42501100710 | Rotating blade | SKD11 | 10 | |
| 01 | BH10501107710 | Rotating blade rest | Assembly casting | 1 | |
| 序号 | 代号 | 名称 | 材质 | 数量 | 备注 |

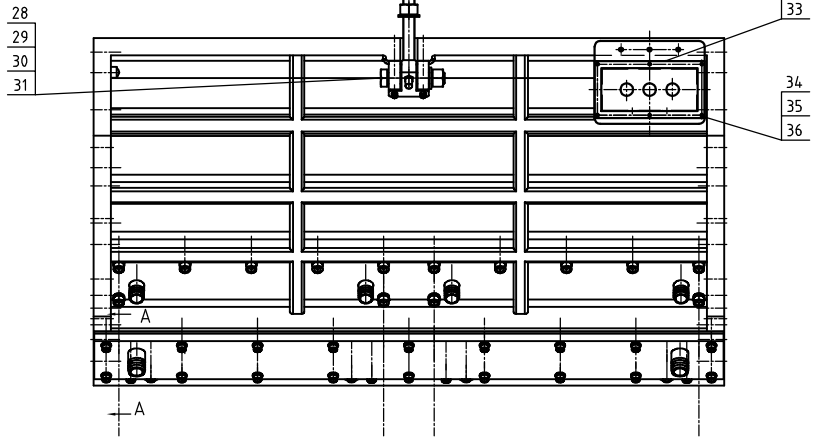
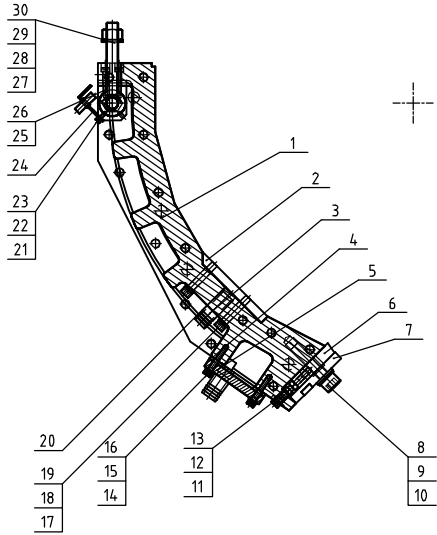
| | | | | | | | | | |
|----|-----|-----|-----|----|----|--------------|---|------|-----|
| | | | | 制图 | 版号 | 标题 | 图号 | 比例 | 数量 |
| | | | | 设计 | 核准 | SG-50110A(B) | | 1:1 | |
| | | | | 校对 | | 五动刀刀架轴组件(选) | | 表面要求 | 材质 |
| | | | | 审核 | 日期 | | | | |
| 标记 | 更改前 | 更改后 | 更改人 | 日期 | 审核 | 日期 | 信易电热机械股份有限公司 Shini Plastics Technologies, Inc. | | 物料号 |

号

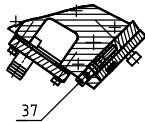


| | | | | | |
|----|----------------|---|------------|----|-----------------------------|
| 19 | YR60052600000 | Rubber clamp pipe (inner $\phi 26 \times 5$) | 1m | | |
| 18 | YW02001500000 | Stainless steel pipe clamp 15" | SUS201 | 4 | |
| 17 | YW61126500000 | Hex hex column head screw GB/T7811 M3x6-12.9-Longzine | 12.9 | 14 | |
| 16 | YW65205200000 | Standard spring washer GB/T93 20-Longzine | | 10 | |
| 15 | YW69000160000 | Flat washer GB/T 95 20(22x27x3)-A2-70(SUS) | | 10 | |
| 14 | YW61208000000 | Hex hex column head screw GB/T7811 M3x6-12.9-Longzine | | 10 | |
| 13 | YW61061600200 | Hex hex column head screw GB/T7811 M6x6-12.9-Longzine | 8.8 | 24 | |
| 12 | YW64001000100 | Hex nut GB/T 6170 M10-Longzine | 5 | 12 | |
| 11 | YW60103000200 | Flat head bolt GB/T5783 M10x30-12.9-Longzine | 8.8 | 8 | |
| 10 | YW60107000000 | Hex bolt GB/T5783 M10x70-8.8-Longzine | 8.8 | 4 | |
| 09 | YW65012000000 | Standard spring washer GB/T93 12-Longzine | 65Mn | 24 | |
| 08 | YW66122400000 | Flat washer A grade GB/T9111085x24x2.9-Longzine | 14.0HV | 24 | |
| 07 | YW61103000100 | Hex hex column head screw GB/T7811 M10x30-12.9-Longzine | 8.8 | 16 | |
| 06 | BH1050800184.0 | Fender plate (fiber contained) | 4.5 | 2 | Optional fiber adding block |
| | BH1150800084.0 | Fender plate | Q235A | 2 | |
| 05 | BH1050800014.0 | Fender plate frame | Q235A | 2 | |
| 04 | YW42501100900 | Fixed blade (fiber contained) | V-4E8.5D0C | 2 | Optional fiber adding block |
| | YW42501101000 | Fixed blade | SKD11 | 2 | |
| 03 | -- | Small roller cover plate | SPH10.0 | 2 | |
| 02 | -- | Small roller cover plate washer | 透明PVC | 2 | |
| 01 | BW30501102910 | Fixed blade support block | QT500-7 | 2 | |
| 序号 | 代号 | 名称 | 材质 | 数量 | 备注 |

| | | | | | | | | | | | |
|----|-----|-----|-----|----|----|----|---|--------------|----|------|----|
| | | | | | 制图 | 版号 | 标题 | SG-50110A(B) | 图号 | 比例 | 数量 |
| | | | | | 设计 | 被 | 三定刀装置(选装) | | | 材质 | |
| | | | | | 校对 | 准 | | | | | |
| | | | | | 审核 | 日期 | | | | 表面要求 | |
| 标记 | 更改前 | 更改后 | 更改人 | 日期 | 审核 | 日期 | 信昂电热机械股份有限公司 Shini Plastics Technologies, Inc. | | | 物料号 | |

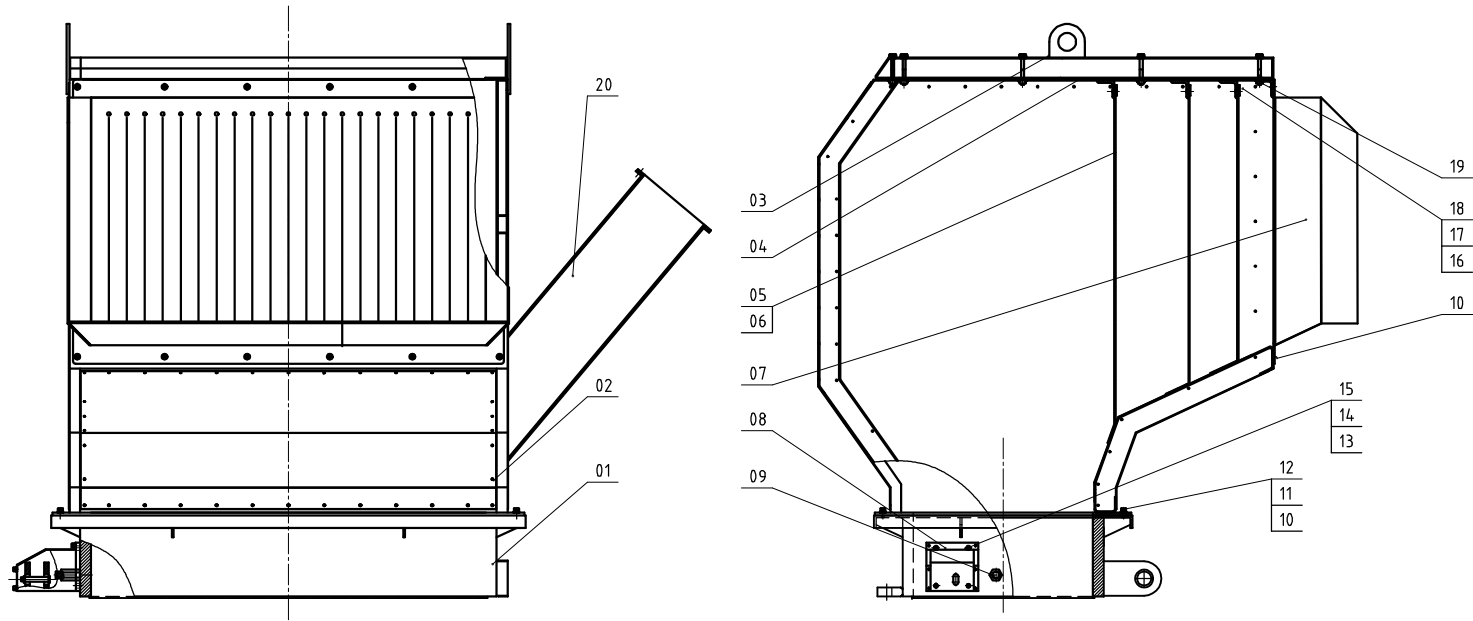


A--A



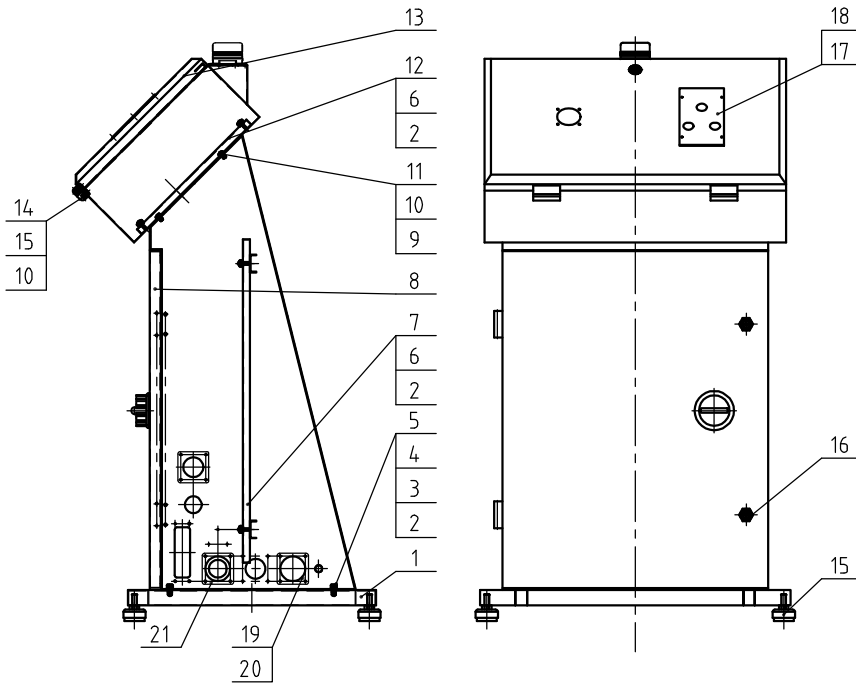
| | | | | | | | | | | | |
|----|---------------|---|-------------|----|--|----|---------------|---|----------|----|---|
| 37 | YW61161600600 | Inner hex. flat end set screw GB/T771 M16-16-8.8 | | 8 | | 15 | YW66081900000 | Flat washer A grade GB/T11118M8-20-Longzine | 14.0HV | 14 | |
| 36 | YW65004000000 | Standard spring washer GB/T193 4-Longzine | 65Mn | 5 | | 14 | YW61082500100 | Inner hex column head screw GB/T7111 M8-20-Longzine | 65Mn | 16 | |
| 35 | YW66040000000 | Flat washer A grade GB/T11114L5-4-14-Longzine | 14.0HV | 5 | | 13 | YW65010000000 | Standard spring washer GB/T193 10-Longzine | 65Mn | 4 | |
| 34 | YW62040000000 | Large cross recessed flat head screw AS1818 M4-Longzine | 8.8 | 5 | | 12 | YW66102500000 | Flat washer C grade GB/T193 M10-20-Longzine | 14.0HV | 4 | |
| 33 | -- | Connecting plate of control line | SPH4.0 | 1 | | 11 | YW61106500000 | Inner hex column head screw GB/T7111 M6-20-Longzine | | 4 | |
| 32 | -- | Electric handgrip control line | SPCC15 | 1 | | 10 | YW65205200000 | Standard spring washer GB/T193 20 | 65Mn | 10 | |
| 31 | YW60201000000 | Hex ball GB/T5782 M20-M20-8.8-Longzine | | 1 | | 09 | YW69000160000 | Washer 2h-37-3(SUS) | SUS | 10 | |
| 30 | YW64200200000 | C grade hex nut GB/T41 M20-25-Longzine | 5 | 2 | | 08 | YW61208000000 | Inner hex column head screw GB/T1111 M8-20-Longzine | 12.9 | 10 | |
| 29 | YW65205200000 | Standard spring washer GB/T193 20 | 65Mn | 2 | | 07 | BW30501102510 | Rice pressing block | Q235A | 2 | |
| 28 | YW66203700000 | Flat washer A grade GB/T195 20 | 14.0HV | 2 | | 06 | YW42501100900 | Flat blade fiber contained | V-4E&50C | 2 | Special flat blade |
| 27 | BH10508000710 | Feed box lock bolt | Q235A | 1 | | | YW42501101000 | Flat blade | SKD11 | 2 | |
| 26 | YW61083500000 | Inner hex column head screw GB/T7111 M6-25-Longzine | 65Mn | 4 | | 05 | -- | Water cover plate | SPH16.0 | 1 | |
| 25 | BH10508000610 | Rotating shaft support block | Q235A | 2 | | 04 | -- | Water cover plate washer | | 1 | |
| 24 | -- | Sensor mount plate | SPCC3.0 | 1 | | 03 | BH10501103210 | Upper water pipe connector | SUS201 | 4 | Special blank for special 2 feed blades |
| 23 | YW65006000100 | Standard spring washer GB/T193 6-Longzine | 65Mn | 5 | | | BH10501102910 | Three feed blade change plate fiber contained | 45 | 2 | Special blank for special 2 feed blades |
| 22 | YW66061300000 | Flat washer A grade GB/T11114L6-6-14-Longzine | 14.0HV | 5 | | 02 | BH10501107210 | Three feed blade change plate | Q235A | 2 | Special blank for special 2 feed blades |
| 21 | YW61061601200 | Inner hex column head screw GB/T7111 M6-20-Longzine | 8.8 | 5 | | | BH10501102910 | Water cover plate support | Q1500-7 | 1 | Special blank for special 2 feed blades |
| 20 | -- | Sealing ring | Silicon gel | 4 | | 01 | BW30501102710 | Rice rice block | Q1500-7 | 1 | |
| 19 | YW65012000000 | Standard spring washer GB/T193 12-Longzine | 65Mn | 14 | | | | | | | |

| 标记 | 更改前 | 更改后 | 更改人 | 日期 | 审核 | 日期 | 比例 | 图号 | 数量 | 备注 |
|----|-----|-----|-----|----|----|----|--|------|----|----|
| | | | | | 制图 | | SG-50110(B) | | | |
| | | | | | 设计 | | 后箱块组件 | | | |
| | | | | | 校对 | | | | | |
| | | | | | 核准 | | | | | |
| | | | | | 审核 | | SHINI 信昂电热机械股份有限公司 Shini Plastics Technologies, Inc. | 表面要求 | | |
| | | | | | | | | 物料号 | | |



| | | | | | | | | | | | |
|----|----------------|---|----------|----|--------|----|---------------|--|----------------|----|---------------------------|
| 20 | -- | Side feed box assembly | assembly | 1 | option | 10 | YW61082500100 | lower column head screw GB/T91.1M6x16-Longzine | 8.8 | 38 | |
| 19 | YW61088000000 | lower column head screw GB/T91.1M6x16-Longzine | 8.8 | 12 | | 09 | BH11500200210 | Hanging plate upper pin shaft | 4.5 | 1 | |
| 18 | YW65006000100 | Standard spring washer GB/T93.8-Longzine | 65Mn | 15 | | 08 | -- | Elec. handspike base assembly | assembly | 1 | |
| 17 | YW66061300000 | Large washer A grade GB/T91.1 6Hx16x14-Longzine | 14.0HV | 15 | | 07 | -- | Feed port | assembly parts | 1 | |
| 16 | YW61061600200 | lower column head screw GB/T91.1M6x16-L2.5-Longzine | 8.8 | 15 | | 06 | -- | Rubber curtain strip | PVC3.0 | 3 | |
| 15 | YW65012000000 | Standard spring washer GB/T93.12-Longzine | 65Mn | 4 | | 05 | -- | Pressing strip | SPCC3.0 | 3 | |
| 14 | YW661224.00000 | Flat washer A grade GB/T91.1 20H5x24x2.5-Longzine | 14.0HV | 4 | | 04 | -- | Upper top inner plate | SPCC2.0 | 1 | |
| 13 | YW61124.000000 | lower column head screw GB/T91.1M6x16-L2.5-Longzine | 8.8 | 4 | | 03 | -- | Upper top plate | SPCC2.0 | 1 | |
| 12 | YW65008000100 | Standard spring washer GB/T93.8-Longzine | 65Mn | 50 | | 02 | -- | Feed box case assembly | assembly | 1 | Case with upper side hole |
| 11 | YW66081900000 | Flat washer A grade GB/T91.1 20Hx16x1.6-Longzine | 14.0HV | 62 | | 01 | -- | Lifting chamber neck assembly | assembly | 1 | |
| | | | | | | 序号 | 代号 | 名称 | 材质 | 数量 | 备注 |

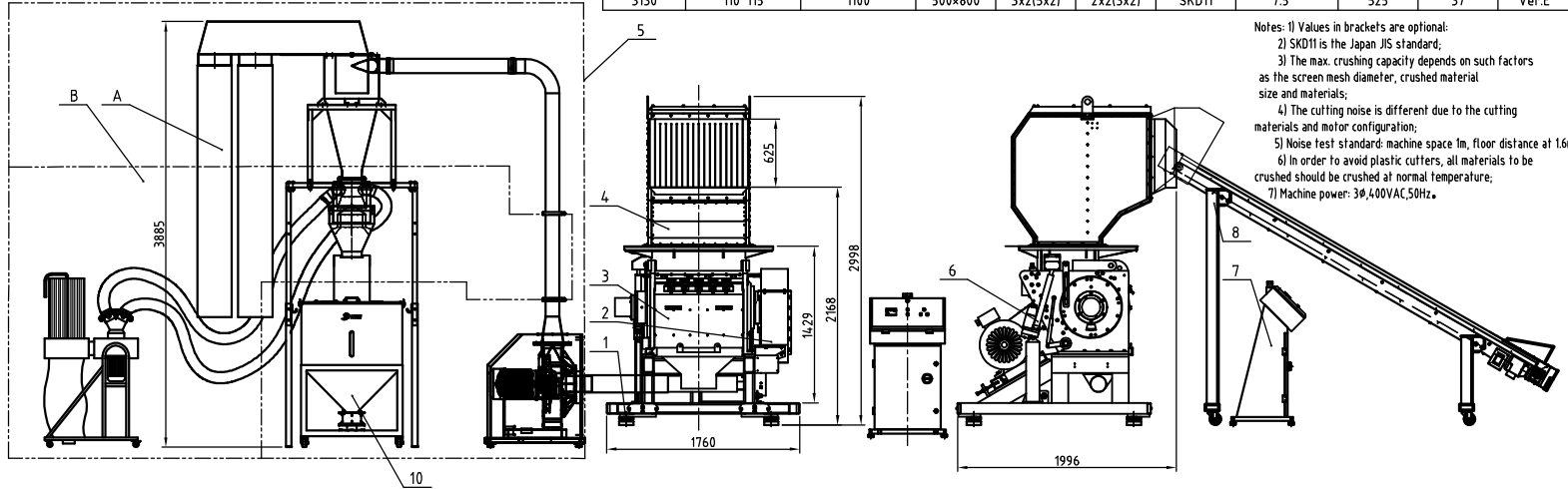
| | | | | | | |
|----|-----|---|-------------|-----|------|----|
| 制图 | 版号 | 标题 | SG-50110(B) | 图号 | 比例 | 数量 |
| 设计 | 核准 | 进料箱总成 | | | 表面要求 | 材质 |
| 校对 | 审核 | 信易电热机械股份有限公司 Shini Plastics Technologies, Inc. | | 物料号 | | |
| 标记 | 更改前 | 更改后 | 更改人 | 日期 | 审核 | 日期 |



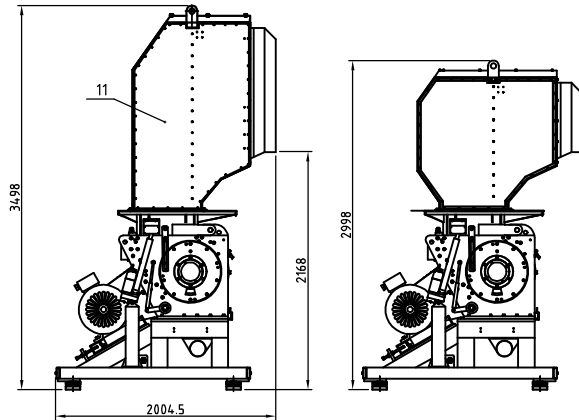
| | | | | | |
|----|---------------|---|------------------|----|----|
| 21 | -- | Cover plate 3 | SPCC1.5 | 1 | |
| 20 | -- | Cover plate 2 | SPCC1.5 | 2 | |
| 19 | YW67040600600 | Cross recessed pan head self-tapping locking screw M4 | | 12 | |
| 18 | BR01016000020 | Nameplate SG-16 | | 1 | |
| 17 | YW00816100000 | Door lock (MS816-1 black with key) | | 3 | |
| 16 | YW03005000000 | Foot pad Ø50 | | 4 | |
| 15 | YW62051000100 | Cross recessed pan head screw M5x10 | 4.8 | 20 | |
| 14 | YW06219100000 | Large hing CL219-1 | | 4 | |
| 13 | -- | Box cover | SPCC1.5 | 1 | |
| 12 | -- | Elec. mount plate 2 | SECC1.5 | 1 | |
| 11 | -- | Elec. control box | SPCC1.5 | 1 | |
| 10 | YW67050800000 | Cross recessed pan head self-tapping locking screw M6 | | 4 | |
| 9 | YW66051000000 | Flat washer 5 | 14.0Hv | 24 | |
| 8 | -- | Elec. control door plank | SPCC1.5 | 1 | |
| 7 | -- | Elec. mount plate 1 | SECC1.5 | 1 | |
| 6 | YW64000600300 | Hex nut M6 | | 5 | 8 |
| 5 | -- | Elec. control box | SPCC2.0 | 1 | |
| 4 | YW61061601200 | Ext. hex. column head screw M6x16 | 12.9 | 4 | |
| 3 | YW65006000100 | Spring washer 6 | 65Mn | 4 | |
| 2 | YW66061300000 | Flat washer 6 | 14.0Hv | 12 | |
| 1 | -- | Control box base | assembly welding | 1 | |
| 序号 | 代号 | 名称 | 材质 | 数量 | 备注 |

| | | | | | | | | | | |
|----|-----|-----|-----|----|----|----|---|----|-----|------|
| | | | | | 制图 | 版号 | 标题 | 图号 | 比例 | 数量 |
| | | | | | 设计 | 核准 | SG-50110(B) | | 材质 | |
| | | | | | 校对 | | 配电装置 | | | 表面要求 |
| 标记 | 更改前 | 更改后 | 更改人 | 日期 | 审核 | 日期 | 信易電熱機械股份有限公司 Shini Plastics Technologies, Inc. | | 物料号 | |

| | | | | | | | | | | |
|---------------------|-------------------|------------------------------|---------------------------|----------------------|------------------|-----------------|----------------------------|--------------------------|------------------|----------|
| Standard weight(kg) | Noise level dB(A) | Max. cutting ability (kg/hr) | Cutting Chamber Size (mm) | Rotating Cutter Qty. | Feed Cutter Qty. | Cutter Material | Conveying blower power(KW) | Main Shaft Speed (r/min) | Motor Power (kW) | Ver. No. |
| 3130 | 110-115 | 1100 | 500x800 | 3x2(5x2) | 2x2(3x2) | SKD11 | 7.5 | 525 | 37 | Ver.E |



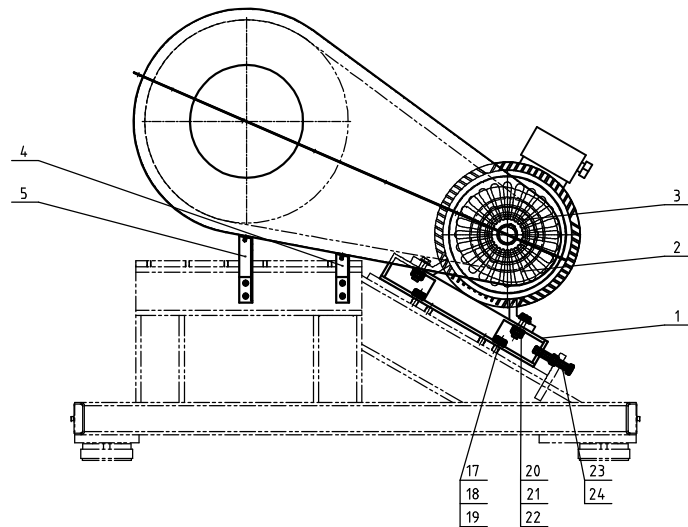
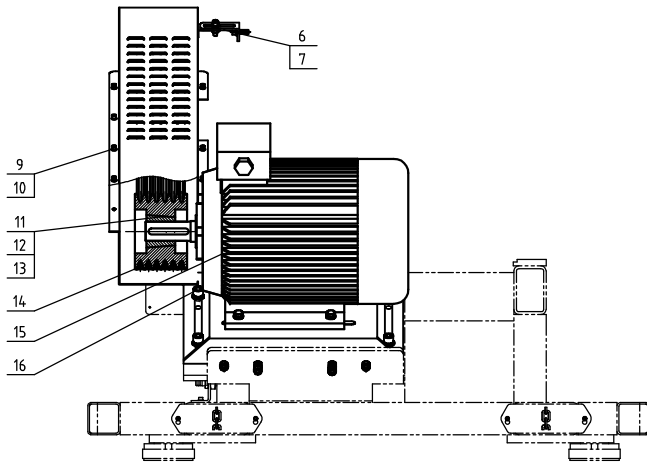
Notes: 1) Values in brackets are optional;
 2) SKD11 is the Japan JIS standard;
 3) The max. crushing capacity depends on such factors as the screen mesh diameter, crushed material size and materials;
 4) The cutting noise is different due to the cutting materials and motor configuration;
 5) Noise test standard: machine space 1m, floor distance at 1.6m;
 6) In order to avoid plastic cutters, all materials to be crushed should be crushed at normal temperature;
 7) Machine power: 3φ 400VAC, 50Hz.



| | | | | | |
|----|---------------|--------------------------|----------|---|------------------|
| 11 | -- | Extended feeding hopper | Assembly | 1 | borrow/option |
| 10 | BY50500000150 | Storage hopper MST-300 | Assembly | 1 | optional |
| 09 | -- | 3 rotating blade rest | Assembly | 1 | borrow/accessory |
| 08 | -- | bell conveyor | Assembly | 1 | borrow/option |
| 07 | -- | With elec. device | Assembly | 1 | borrow |
| 06 | -- | Elec. handstop device | Assembly | 1 | borrow |
| 05 | BY50005000050 | Conveying assembly | Assembly | 1 | option |
| | | B In-situ feeding system | | | |
| | | A Motor conveying system | | | |
| 04 | -- | Feed box assembly | Assembly | 1 | borrow/option |
| 03 | -- | Cutting chamber assembly | Assembly | 1 | borrow/option |
| 02 | -- | Main transmission device | Assembly | 1 | borrow |
| 01 | -- | Rack assembly | Assembly | 1 | borrow |

| | | | | | |
|----|-----|----------|--------------|-----|----|
| 制图 | 版号 | 标题 | 图号 | 比例 | 数量 |
| 设计 | 核准 | SG-5080B | SG-5080B-ALL | 1:1 | 材质 |
| 校对 | | 总成 | | | |
| 标记 | 更改前 | 更改后 | 更改人 | 日期 | 审核 |
| | | | | | |
| | | | | | |

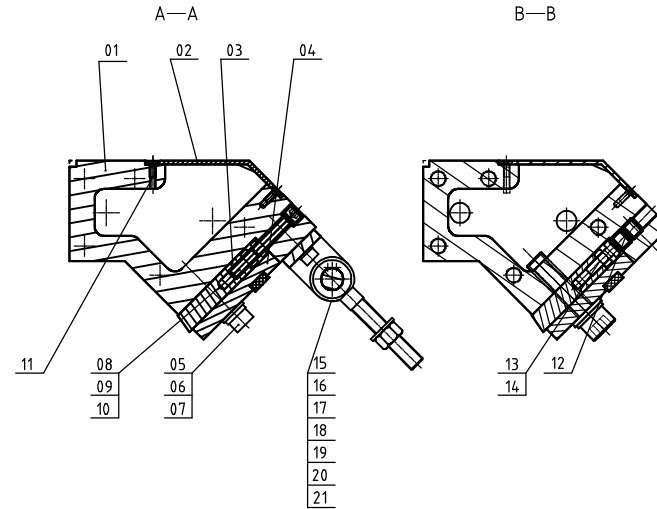
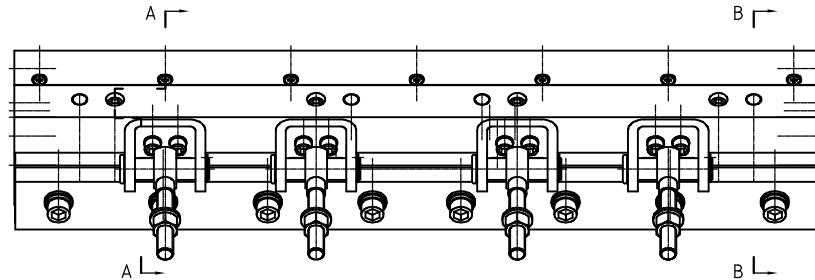
SHINI 信易電熱機械股份有限公司
 Shini Plastics Technologies, Inc.
 表面要求 物料号



| | | | | | |
|----|----------------|---|--------|----|--|
| 24 | YW611161200300 | Inner hex column head screw M6*10 | 12.9 | 4 | |
| 23 | YW640016000000 | Hex nut M6 | 5 | 4 | |
| 22 | YW611610000000 | Inner hex column head screw M6*10 | 12.9 | 4 | |
| 21 | YW661640000000 | Flat washer 16 | 14.0HV | 4 | |
| 20 | YW650162000000 | Spring washer 16 | 65Mn | 4 | |
| 19 | YW601670003000 | Ext. hex column head screw M6*10/16 | 12.9 | 4 | |
| 18 | YW650200000000 | Spring washer 20 | 65Mn | 8 | |
| 17 | YW662037000000 | Flat washer 20 | 14.0HV | 12 | |
| 16 | YW602060000000 | Hex bolt M20*60 M20*60 | 8.8 | 4 | |
| 15 | YM102037004000 | Motor M20 37W-4/225-4P B31 E3 40V/90/140V | | 1 | |
| 14 | YR003150000000 | Narrow v-belt SPC 3F50 | | 6 | |

| | | | | | |
|----|----------------|-----------------------------------|---------|----|------------|
| 13 | GB/T1096 | Comm flat key C16*15 | 35 | 1 | with motor |
| 12 | YW303535060000 | Belt pulley sleeve 3535-φ60 | HT200 | 1 | |
| 11 | YW302246000000 | Small belt pulley SPC224-6-3535 | HT200 | 1 | |
| 10 | YW650080002000 | Spring washer 8 | 65Mn | 21 | |
| 09 | YW660819000000 | Flat washer 8 | 14.0HV | 21 | |
| 08 | YW610820002000 | Inner hex column head screw M8*20 | 8.8 | 17 | |
| 07 | YW640121000000 | Nut M12 | 6.8 | 1 | |
| 06 | -- | With pulley cover fixed plate | SPH6.0 | 1 | |
| 05 | -- | Pulley cover short support | SPH5.0 | 1 | |
| 04 | -- | Pulley cover long support | SPH5.0 | 1 | |
| 03 | -- | With pulley cover upper part | SPCC1.5 | 1 | |
| 02 | -- | With pulley cover lower part | SPCC1.5 | 1 | |
| 01 | -- | Motor mount base | SPH10.0 | 1 | |

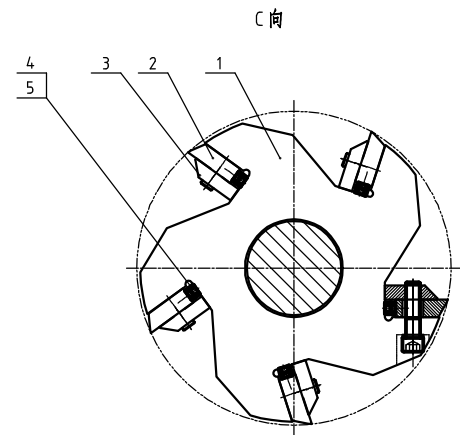
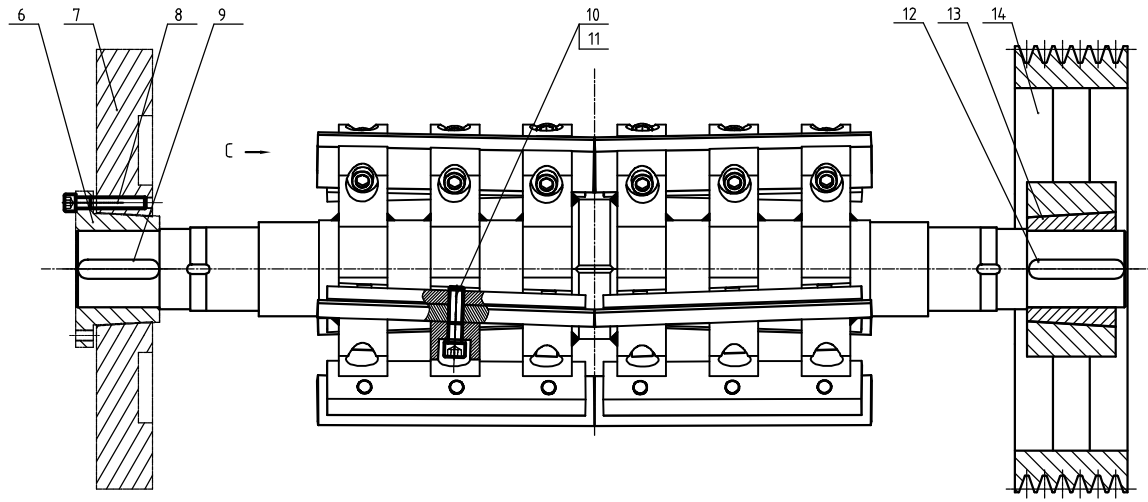
| | | | | | | | | | | | | | | | | | | | | | | | | | | | | | | | | | |
|--|----|---|----|------|----|--|--|--|--|--|--|----|----|----|----|----|----|----|----|-------|--|--|----|----|--|---|--|------|--|----|----|-----|--|
| 序号 | 代号 | 名称 | 材质 | 数量 | 备注 | | | | | | | | | | | | | | | | | | | | | | | | | | | | |
| <table border="1" style="width:100%; border-collapse: collapse;"> <tr> <td style="width:15%;"></td> <td style="width:15%;"></td> <td style="width:15%;"></td> <td style="width:15%;"></td> <td style="width:15%;"></td> <td style="width:15%;"></td> </tr> <tr> <td>制图</td> <td>版号</td> <td>标题</td> <td>图号</td> <td>比例</td> <td>数量</td> </tr> <tr> <td>设计</td> <td>核准</td> <td colspan="2">主传动装置</td> <td></td> <td>材质</td> </tr> <tr> <td>校对</td> <td></td> <td colspan="2" rowspan="2"> 信昌电热机械股份有限公司 Shini Plastics Technologies, Inc. </td> <td>表面要求</td> <td></td> </tr> <tr> <td>审核</td> <td>日期</td> <td>物料号</td> <td></td> </tr> </table> | | | | | | | | | | | | 制图 | 版号 | 标题 | 图号 | 比例 | 数量 | 设计 | 核准 | 主传动装置 | | | 材质 | 校对 | | 信昌电热机械股份有限公司 Shini Plastics Technologies, Inc. | | 表面要求 | | 审核 | 日期 | 物料号 | |
| | | | | | | | | | | | | | | | | | | | | | | | | | | | | | | | | | |
| 制图 | 版号 | 标题 | 图号 | 比例 | 数量 | | | | | | | | | | | | | | | | | | | | | | | | | | | | |
| 设计 | 核准 | 主传动装置 | | | 材质 | | | | | | | | | | | | | | | | | | | | | | | | | | | | |
| 校对 | | 信昌电热机械股份有限公司 Shini Plastics Technologies, Inc. | | 表面要求 | | | | | | | | | | | | | | | | | | | | | | | | | | | | | |
| 审核 | 日期 | | | 物料号 | | | | | | | | | | | | | | | | | | | | | | | | | | | | | |



| | | | | | |
|----|---------------|---|---------|---|---|
| 21 | YW61103500000 | Inner hex column head screw @/T8/M6-5-25/Longzine | | 8 | |
| 20 | YW66164000000 | Flat washer 16x40x5 | 14.0HV | 8 | |
| 19 | YW69002100000 | External retaining ring GB/T 894.1Z-42-WSUS | | 4 | |
| 18 | -- | Star screw | 4.5 | 4 | |
| 17 | BH10500200310 | Shaft pin | 4.5 | 4 | |
| 16 | -- | Chain base | SPH10.0 | 4 | |
| 15 | YW64001600000 | Hex. nut GB/T6170 M6-Longzine | | 8 | 4 |

| | | | | | | |
|----|---------------|---|--------|----------|----|--|
| 14 | YW64001000100 | Hex. nut GB/T6170 M10-Longzine | | 8 | 4 | |
| 13 | YW61103000100 | Inner hex column head screw @/T8/M6-25/Longzine | | | 4 | |
| 12 | YW61161600600 | Inner hex. flat end set screw GB/T177 M16-6-8.0 | | | 8 | |
| 11 | YW61061200100 | Inner hex. endstop lead screw @/T8/M6-6-25/Longzine | | | 14 | |
| 10 | YW65010000000 | Standard spring washer GB/T93 10-Longzine | | 65Mn | 14 | |
| 09 | YW66102500000 | Flat washer C grade @/T8 M10x4-Longzine | 14.0HV | | 4 | |
| 08 | YW61108000000 | Inner hex column head screw @/T8/M6-4-25/Longzine | | | 4 | |
| 07 | YW65205200000 | Standard spring washer GB/T93 20 | | | 8 | |
| 06 | YW69000160000 | Washer 24x37x3(SUS) | | | 8 | |
| 05 | YW61208000000 | Inner hex. column head screw | | 12.9 | 8 | |
| 04 | BW30508002410 | Front block | | Q235A | 2 | |
| 03 | YW42508000900 | Fixed blade fiber contained | | V-4E&50C | 2 | |
| 02 | YW42508000700 | Fixed blade | | SKD11 | 2 | |
| 01 | BW30508002610 | Front block cover plate | | SPH4.0 | 1 | |
| | | Front block | | QT500-7 | 1 | |

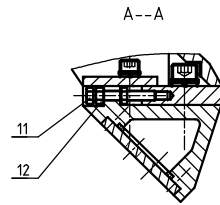
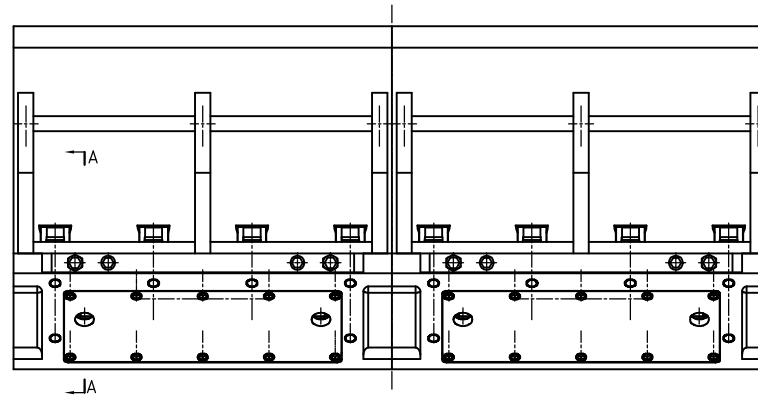
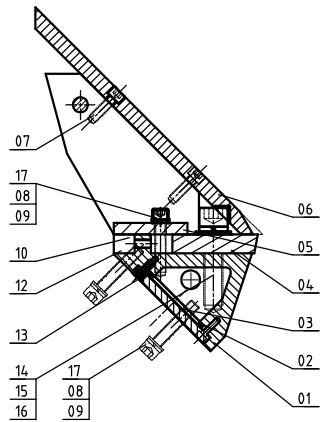
| | | | | | | | | | | | |
|----|-----|-----|-----|----|----|----|-----------------------------------|----|------|----|----|
| | | | | | 制图 | 版号 | 标题 | 图号 | 比例 | 数量 | 备注 |
| | | | | | 设计 | 核准 | SG-5080(B) | | | | |
| | | | | | 校对 | | 前箱块组件 | | | | 材质 |
| | | | | | 审核 | | SHINI 信昌电热机械股份有限公司 | | 表面要求 | | |
| 标记 | 更改前 | 更改后 | 更改人 | 日期 | 日期 | | Shini Plastics Technologies, Inc. | | 物料号 | | |



| | | | | | |
|----|---------------|---|-------------------|----|------------------------------|
| 14 | YW30630600000 | Large ball pulley SPC630×6 | QT500-7 | 1 | Rolling with taper sleeve |
| 13 | YW30501100000 | Ball pulley sleeve S050-φ110-127 | QT500-7 | 1 | Rolling with taper sleeve |
| 12 | BH11281370010 | Flat key 28×137 | 4.5 | 1 | |
| 11 | YW65020000000 | Spring washer 28 | 65Mn | 30 | |
| 10 | YW61208000000 | Inner hex. column head screw M20×80 | 12.9 | 30 | |
| 09 | BH10501100340 | Flat key 28×117 | 4.5 | 1 | Case with standard flywheel |
| 08 | YW61161000000 | Inner hex. column head screw M16×100 | 12.9 | 6 | Case with standard flywheel |
| 07 | BW30509003010 | Flywheel | QT500-7 | 1 | Case with standard flywheel |
| 06 | BW30509002910 | Flywheel sleeve | QT500-7 | 1 | Case with standard flywheel |
| 05 | YW60105000000 | Hex bolt PHB-50 | 8.8 | 20 | |
| 04 | YW64001000100 | Hex nut PH | 5 | 20 | |
| 03 | BH10508007010 | Rotating blade pressing block (fiber contained) | 4.5 | 10 | Optimal fiber rotating blade |
| | BH10508007210 | Rotating blade pressing block | Q235A | 10 | |
| 02 | YW42508000200 | Rotating blade (fiber contained) | V-4E&S0C | 10 | Optimal fiber rotating blade |
| | BW42508000110 | Rotating blade | SKD11 | 10 | |
| 01 | BH10508006710 | Rotating blade rest | Assembly material | 1 | |

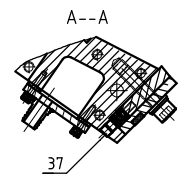
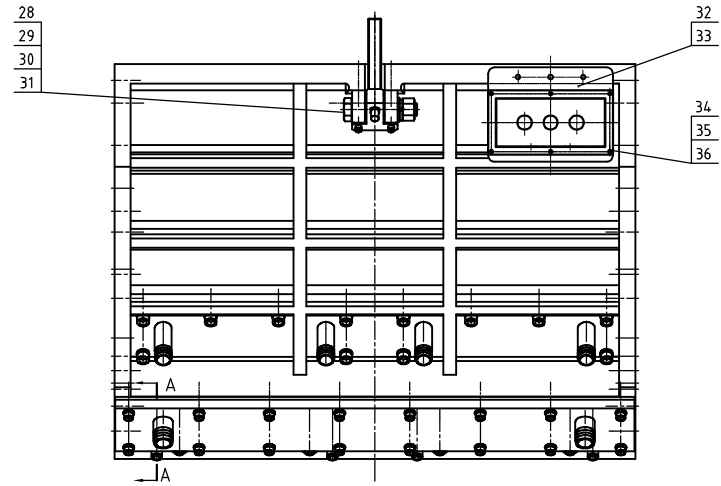
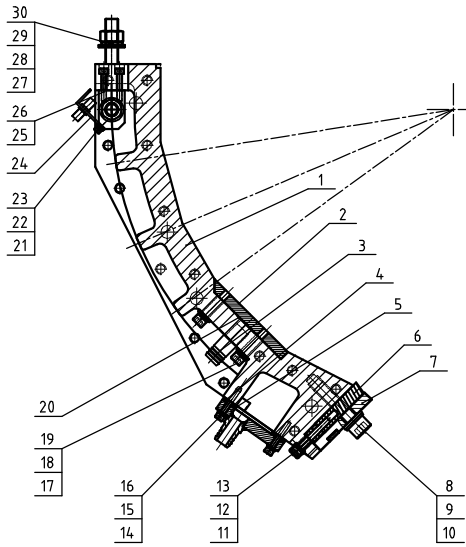
| 序号 | 代号 | 名称 | 材质 | 数量 | 备注 |
|----|-----|-----|-----|--------------------|------|
| | | 制图 | 版号 | 标题 | 图号 |
| | | 设计 | 核准 | SG-5080A(B) | |
| | | 校对 | | 五动刀刀架轴组件(选) | |
| | | 审核 | | SHINI 信易电热机械股份有限公司 | 表面要求 |
| 标记 | 更改前 | 更改后 | 更改人 | 日期 | 物料号 |

SHINI 信易电热机械股份有限公司
Shini Plastics Technologies, Inc.



| | | | | | |
|----|---------------|--|----------|------|-----------------------------|
| 19 | YR6005260000 | Rubber clamp pipe (inner φ26×5) | | 1m | |
| 18 | YW0200150000 | Stainless steel pipe clamp 15' | SUS201 | 4 | |
| 17 | YW6112650000 | Inner hex column head cover GB/T7811M265-29-Longzine | | 12.9 | 12 |
| 16 | YW6250520000 | Standard spring washer GB/T193 20-Longzine | | | 8 |
| 15 | YW69000160000 | Flat washer GB/T 95 20x22x3.5-3-42-70(SUS) | | | 8 |
| 14 | YW61208000000 | Inner hex column head cover GB/T7811M208-29-Longzine | | | 8 |
| 13 | YW61061600200 | Inner hex column head cover GB/T7811M616-29-Longzine | 8.8 | | 20 |
| 12 | YW64001000100 | Hex nut GB/T 6170 M10-Longzine | 5 | | 12 |
| 11 | YW60103000200 | Ext. hex ball GB/T5783 M10x3-2.9-Longzine | 8.8 | | 8 |
| 10 | YW60107000000 | Hex ball GB/T5783 M10x7-8.8-Longzine | 8.8 | | 4 |
| 09 | YW65012000000 | Standard spring washer GB/T193 12-Longzine | 65Mn | | 12 |
| 08 | YW66122400000 | Flat washer A grade GB/T93108x24x3-Longzine | 1A.0HV | | 12 |
| 07 | YW61103000100 | Inner hex column head cover GB/T7811M103-29-Longzine | 8.8 | | 20 |
| 06 | BH10508007510 | Fender plate (fiber contained) | 45 | 2 | Optional fiber adding block |
| | BH10508007710 | Fender plate | 45 | 2 | |
| 05 | BH10508007310 | Fender plate frame | Q235A | 2 | |
| | YW42508000900 | Fiber block (fiber contained) | V-4E&50C | 2 | Optional fiber adding block |
| 04 | YW42508000700 | Fiber block | SKD11 | 2 | |
| 03 | -- | Small water cover plate | SPH10.0 | 2 | |
| 02 | -- | Small water cover plate washer | PVC | 2 | |
| 01 | BW30508002810 | Fiber block support block | QT500-7 | 2 | |
| 序号 | 代号 | 名称 | 材质 | 数量 | 备注 |

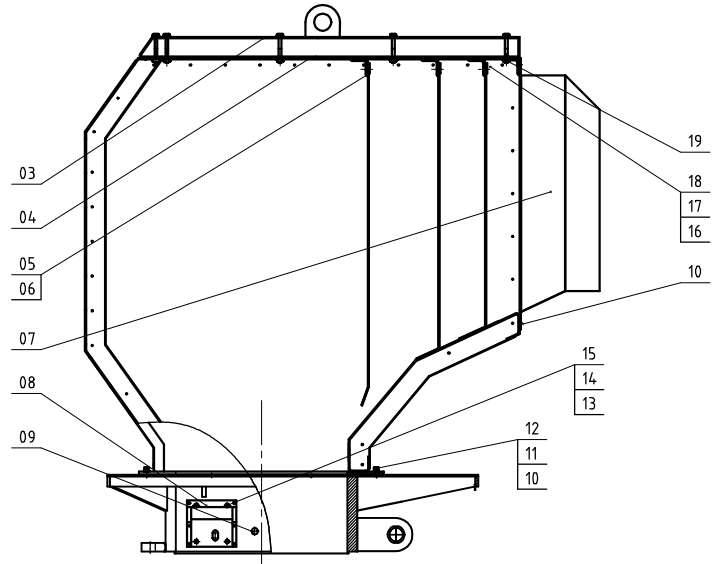
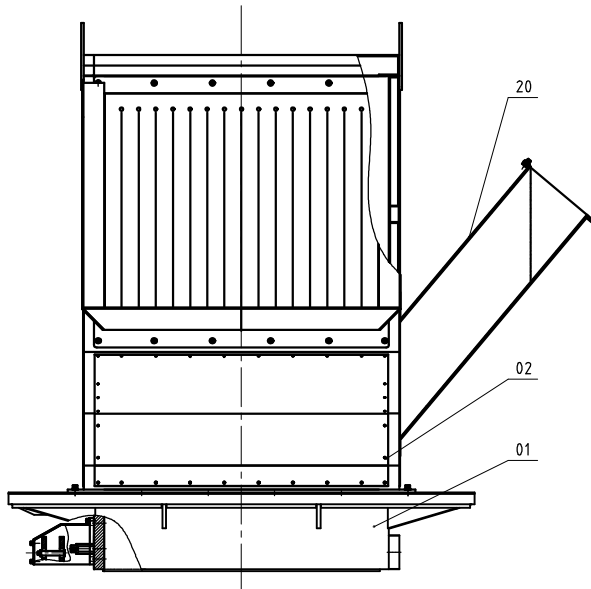
| | | | | | | | | | | |
|----|-----|-----|-----|----|----|----|---|----|------|----|
| | | | | | 制图 | 版号 | 标题 | 图号 | 比例 | 数量 |
| | | | | | 设计 | 核 | SG-5080(B) | | 1:1 | 2 |
| | | | | | 校对 | 准 | 三定刀装置(选装) | | 表面要求 | 材质 |
| | | | | | 审核 | 日期 | | | | |
| 标记 | 更改前 | 更改后 | 更改人 | 日期 | 审核 | 日期 | 信易电热机械股份有限公司 Shini Plastics Technologies, Inc. | | 物料号 | |



| | | | | | |
|----|---------------|---|----------|----|-----------------------------------|
| 37 | YW6116160600 | Hex hex flat end set screw GB/T77 M16-16-8.8 | | 8 | |
| 36 | YW65004000000 | Standard spring washer GB/T93 4-Longzine | 65Mn | 6 | |
| 35 | YW66041000000 | Flat washer A grade GB/T91 M4.5-M4.8-Longzine | 14.0HV | 6 | |
| 34 | YW62041000000 | Large cross recessed flat head screw GB/T91 M4-8-Longzine | | 6 | |
| 33 | -- | Connecting plate of control box | SPH4.0 | 1 | |
| 32 | -- | Electric handplate control box | SPCC15 | 1 | |
| 31 | YW60201000000 | Hex bolt GB/T5782 M16-20-8.8-Longzine | | 1 | |
| 30 | YW64200200000 | C grade hex nut GB/T41 M20-25-Longzine | 5 | 2 | |
| 29 | YW65205200000 | Standard spring washer GB/T93 20 | 65Mn | 2 | |
| 28 | YW66203700000 | Flat washer A grade GB/T95 20 | 14.0HV | 2 | |
| 27 | BH10508000710 | Feed box lock bolt | Q235A | 1 | |
| 26 | YW61083500000 | Hex hex column head screw GB/T71 M8-25-2.9-Longzine | | 4 | |
| 25 | BH10508000610 | Rotating shaft support block | Q235A | 2 | |
| 24 | -- | Sensor mount plate | SPCC3.0 | 1 | |
| 23 | YW65006000100 | Standard spring washer GB/T93 6-Longzine | 65Mn | 5 | |
| 22 | YW66061300000 | Flat washer A grade GB/T91 M6-M6.3-10-Longzine | 14.0HV | 5 | |
| 21 | YW61061601200 | Hex hex column head screw GB/T71 M6-16-2.9-Longzine | | 5 | |
| 20 | -- | Sanding ring | Slim pl | 4 | Lead blank for optical flat blade |
| 19 | YW65012000000 | Standard spring washer GB/T93 12-Longzine | 65Mn | 12 | |
| 18 | YW66122400000 | Flat washer A grade GB/T91 M25-M25-12-Longzine | 14.0HV | 12 | |
| 17 | YW61125500000 | Hex hex column head screw GB/T71 M12-M12-12-Longzine | | 12 | Lead blank for optical flat blade |
| 16 | YW65008000100 | Standard spring washer GB/T93 8-Longzine | 65Mn | 16 | |
| 15 | YW66081900000 | Flat washer A grade GB/T91 M8-M8-12-Longzine | 14.0HV | 16 | |
| 14 | YW61082500100 | Hex hex column head screw GB/T71 M8-25-2.9-Longzine | | 16 | |
| 13 | YW65010000000 | Standard spring washer GB/T93 10-Longzine | 65Mn | 4 | |
| 12 | YW66102500000 | Flat washer C grade GB/T95 M10-M10-25-Longzine | 14.0HV | 4 | |
| 11 | YW61106500000 | Hex hex column head screw GB/T71 M10-M10-25-2.9-Longzine | | 4 | |
| 10 | YW65205200000 | Standard spring washer GB/T93 20 | | 8 | |
| 09 | YW69000160000 | Washer Z1-Z1-3(SUS) | | 8 | |
| 08 | YW61208000000 | Hex hex column head screw GB/T71 M8-20-2.9-Longzine | 12.9 | 8 | |
| 07 | BW30508002510 | Rear pressing block | Q235A | 2 | |
| 06 | YW42508000900 | Feed blade (for contained) | V-4E&50C | 2 | Special for alloy plate |
| 05 | YW42508000700 | Feed blade | SKD11 | 2 | |
| 04 | -- | Water cover plate | SPH16.0 | 1 | |
| 03 | BH10501103210 | Upper water pipe connector | SUS201 | 4 | Lead blank for optical flat blade |
| 02 | BH11508001010 | Three feed blade change plate (for contained) | 45 | 2 | Lead blank for optical flat blade |
| 01 | BH10501104110 | Three feed blade change plate | Q235A | 2 | Lead blank for optical flat blade |
| | BW30508000540 | Water cover plate (special) | QT500-7 | 1 | Special for alloy plate |
| | BW30508002710 | Rear case block | QT500-7 | 1 | |

| 标记 | 更改前 | 更改后 | 更改人 | 日期 | 审核 | 日期 | 制图 | 版号 | 标题 | 图号 | 比例 | 数量 | 备注 |
|----|-----|-----|-----|----|----|----|----|----|-------|--------|------|----|----|
| | | | | | | | | | 后箱块组件 | 三定刀替换板 | 1:1 | | |
| | | | | | | | | | | | 表面要求 | | |
| | | | | | | | | | | | 物料号 | | |

SHINI 信昂电热机械股份有限公司
Shini Plastics Technologies, Inc.



| | | | | | | | | | | | | | |
|----|-----------------|---|----------|----|------|----|---------------|---|------------------|-----|--------------------------|-----|-----|
| 20 | -- | Side feed box assembly | assembly | 1 | gpin | 10 | YW61082500100 | lower column head screw GB/T7111 M16x16-12.9-Longzine | 8.8 | 38 | | | |
| 19 | YW61088000000 | lower hex column head screw GB/T7111 M16x16-12.9-Longzine | 8.8 | 12 | | 09 | BH11500200210 | Hanging plate upper pin shaft | 45 | 1 | | | |
| 18 | YW650060000100 | Standard spring washer GB/T93 6-Longzine | 65Mn | 15 | | 08 | -- | Elec. handspike base assembly | assembly | 1 | | | |
| 17 | YW660613000000 | Large washer A grade GB/T911 106.6x12x1.6-Longzine | 14.0HV | 15 | | 07 | -- | Feed port | assembly parts | 1 | | | |
| 16 | YW61061600200 | lower hex column head screw GB/T7111 M16x16-12.9-Longzine | 8.8 | 15 | | 06 | -- | Rubber curtain strip | PVC3.0 | 3 | | | |
| 15 | YW650120000000 | Standard spring washer GB/T93 12-Longzine | 65Mn | 4 | | 05 | -- | Pressing strip | SPCC3.0 | 3 | | | |
| 14 | YW661224.000000 | Flat washer A grade GB/T911 120.65x24x2.5-Longzine | 14.0HV | 4 | | 04 | -- | Upper top inner plate | SP40 plate | 1 | | | |
| 13 | YW61124.000000 | lower hex column head screw GB/T7111 M12x14-12.9-Longzine | 8.8 | 4 | | 03 | -- | Upper top plate | SPCC2.0 | 1 | | | |
| 12 | YW650080000100 | Standard spring washer GB/T93 8-Longzine | 65Mn | 50 | | 02 | -- | Feed box case assembly | assembly | 1 | Lead integrated die head | | |
| 11 | YW660819000000 | Flat washer A grade GB/T911 180x18x1.6-Longzine | 14.0HV | 62 | | 01 | -- | Cutting chamber neck assembly | assembly welding | 1 | | | |
| | | | | | | | | 序号 | 代 号 | 名 称 | 材 质 | 数 量 | 备 注 |

| | | | | | | | | | | | | |
|----|-----|-----|-----|----|----|----|---|------------|------|----|----|--|
| | | | | | 制图 | 版号 | 标题 | SG-5080(B) | 图号 | 比例 | 数量 | |
| | | | | | 设计 | 核 | 进料箱总成 | | | 材质 | | |
| | | | | | 校对 | 准 | | | | | | |
| | | | | | 审核 | 日期 | 信易电热机械股份有限公司 Shini Plastics Technologies, Inc. | | 表面要求 | | | |
| 标记 | 更改前 | 更改后 | 更改人 | 日期 | 日期 | | | | 物料号 | | | |

