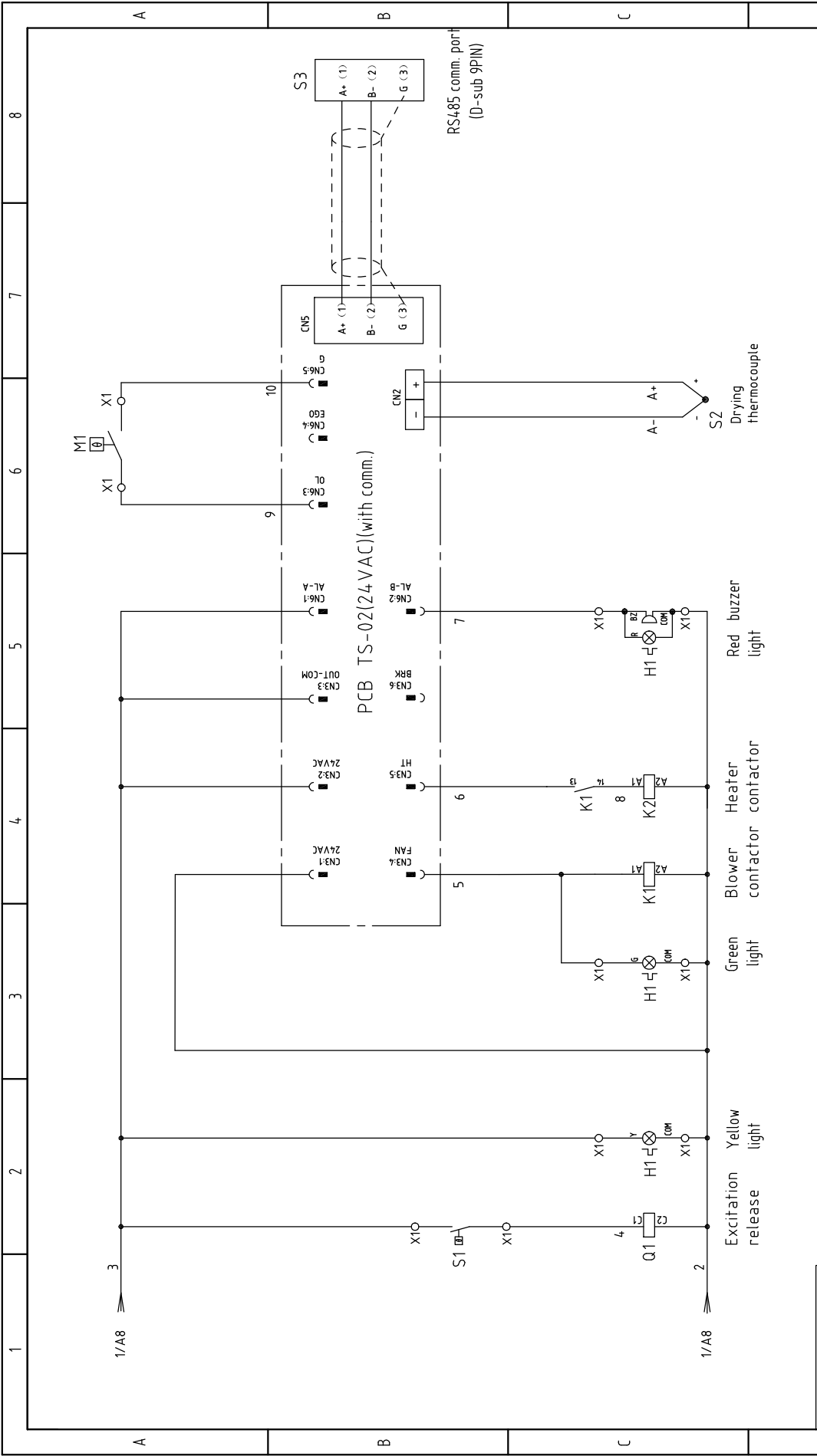


机 型 版 本	Ver.C
Mark	Before modification
	After modification
	Modify date
	Checked by
	Proofread by
	Designer
	Drawer
Version	B

Title	SEHD-12	Drawing NO.	SEHD-12-CE-400V-B-1
Main Circuit Diagram			
Scale	Standard	CE	Page 1
Standard	CE	Totally	4
Pages		Pages	
Voltage	3φ4.00V	Frequency	50Hz

SHINI	信易電熱機械股份有限公司	Shini Plastics Technologies, Inc.
Version	Approved by	Date
20210115		
3	4	8



机 型 版 本	Ver.C
Mark	Before modification
	After modification
	Modify date
	Checked by
	Proofread by
	Designer
	Drawer
	Version
	Approved by
	Date
	20210115

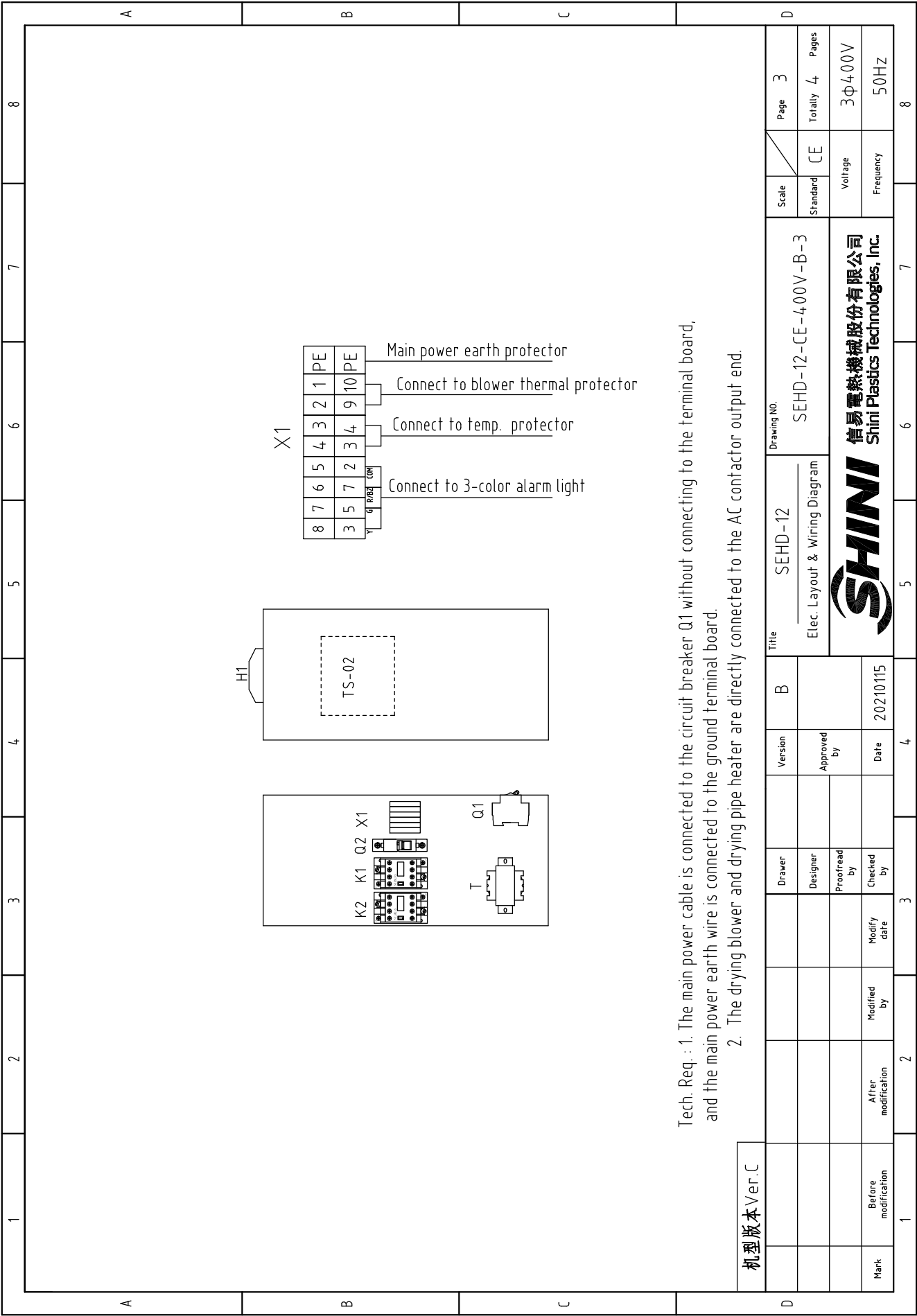
Note: M1 is the overheat protector of the drying blower.

SEHD-12	B
Electrical Diagram	

SEHD-12-CE-400V-B-2	Drawing NO.
---------------------	-------------

Standard	Scale	Page 2
CE	Standard	Totally 4
3φ400V	Voltage	Pages
50HZ	Frequency	





Tech. Req. : 1. The main power cable is connected to the circuit breaker Q1 without connecting to the terminal board, and the main power earth wire is connected to the ground terminal board.
 2. The drying blower and drying pipe heater are directly connected to the AC contactor output end.

机 型 版 本	Ver.C
---------	-------

Scale	Page	3
	Totally	4
Standard	CE	
	Voltage	3Φ400V
Frequency	Frequency	50HZ

Drawing NO.	SEHD-12-CE-400V-B-3
Elec. Layout & Wiring Diagram	

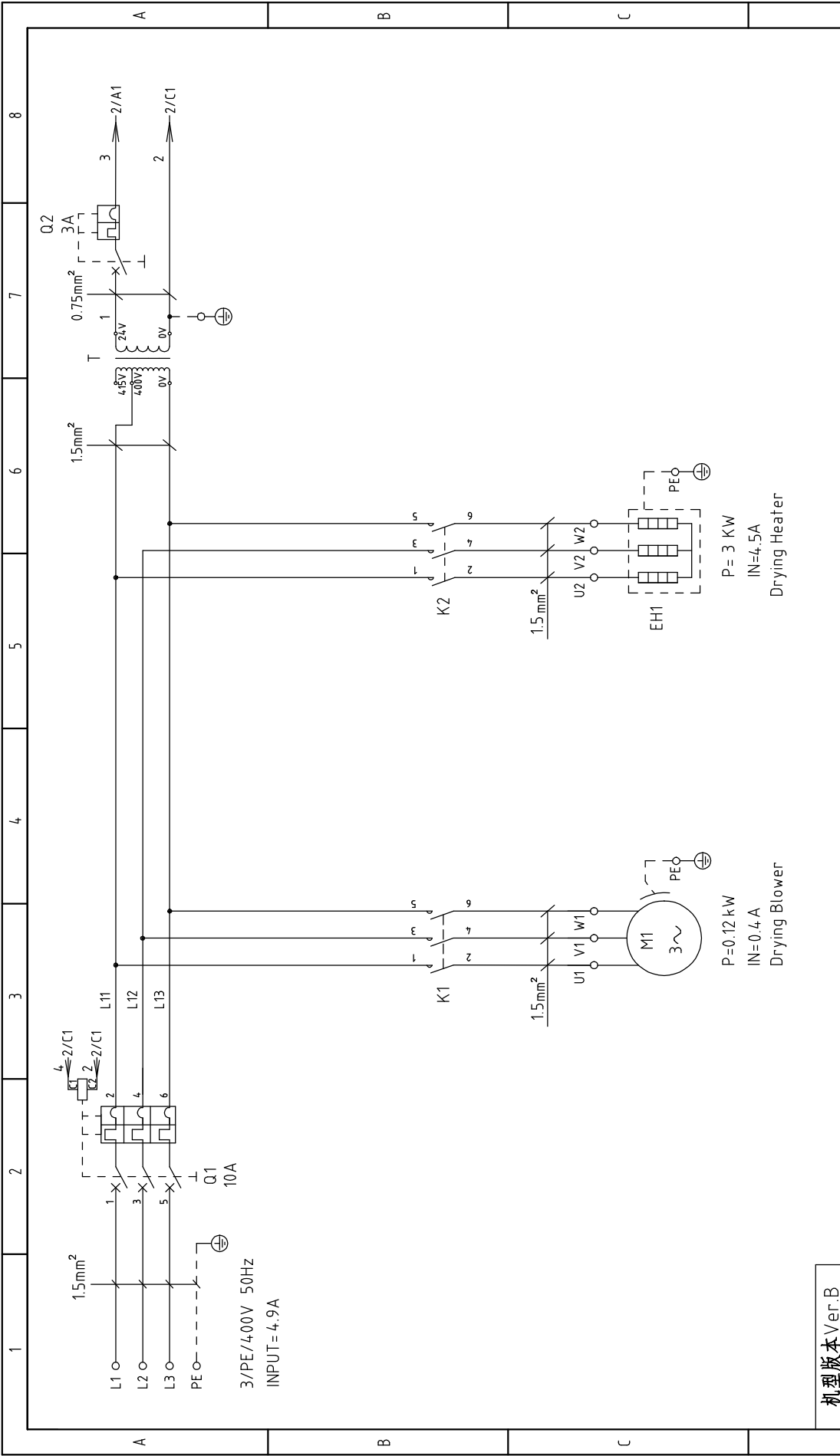
SHINI 信易電熱機械股份有限公司
 Shini Plastics Technologies, Inc.

Title	SEHD-12
Version	B
Approved by	
Date	20210115

Drawer	
Designer	
Proofread by	
Checked by	
Modified by	
Modify date	

1		2		3		4		5		6		7		8	
NO.	Symbol	Name	Manufacturer	Type	Specification	Number	Material number	Remark							
1	Q1	Circuit breaker	TECO	BM-63C/3010S	10A 3P	1	YE40301003000								
2		Excitation release	----	MX	24V 50/60Hz	1	YE40024000000								
3	Q2	Circuit-breaker	TECO	BM-63C/1003S	3A 1P	1	YE40100203000								
4	K1	Contact	SIEMENS	3RT6015-1AB01	24V 7A 50/60Hz 1NO	1	YE00601502500								
5	K2	Contact	SIEMENS	3RT6016-1AB01	24V 9A 50/60Hz	1	YE00601602500								
6	T	Transformer	JIUXIN	IN=400V/415V OUT=24V	80VA	1	YE70040006500								
7	PCB	Dryer controller/PCB	YuYun	TS-02(24VAC)(with comm.)	24V 50/60Hz	1	YE80022401200								
8	S1	温度保护器/Overheat protector	EGO	----	115-320°C	1	BH90115000150	Cancel							
9	S1	Overheat protector	----	----	180°C	1	----	Increase(1)							
10	S2	Thermocouple	SHINI	KTYPE	----	1	----	(1)							
11	S3	Comm. interface board RS-485(Dsub-9pin connector)	YUYUN	TODSUB_V23	Double DSUB-9PIN connector	1	YE90048501200								
12		Shell RS485(SAL-700G-A-19)ver. 0	----	----	----	1	YR40048500000								
13	M1	Blower	LONGFENG	0.1kW	400V 50HZ	1	----	(1)							
14	EH1	Heater	SHINI	3kW	400V 50HZ	1	----	(1)							
15	X1	Spring wiring terminal SK2.5(Honeywell)	Honeywell	SK2.5	2.5mm ²	2- 8	YE60002503200	Revised							
16		Spring wiring terminal SK2.5(Honeywell)	Honeywell	GK2.5PE	2.5mm ² PE	1	YE60002503400								
17		Terminal fittings E/GK series (Honeywell)	Honeywell	----	GK series	3	YE60000003900								
18	H1	3-color alarm lamp	SHINI	Red, yel, green + buzzer	24V AC/DC	1	BL90002401520	Increase							
C															
D															
机 型 版 本 Ver.C															
Notes: (1)Materials in the control box;															
		Drawer		Version		B		Title		Drawing NO.		Scale		Page 4	
		Designer		Approved by				SEHD-12		SEHD-12-CE-400V-B-4		CE		Totally 4	
		Proofread by		Date		20210115		Electrical parts List 1				Voltage		3Φ400V	
Mark		Before modification		Modified by		Modify date						Frequency		50HZ	
1		2		3		4		5		6		7		8	

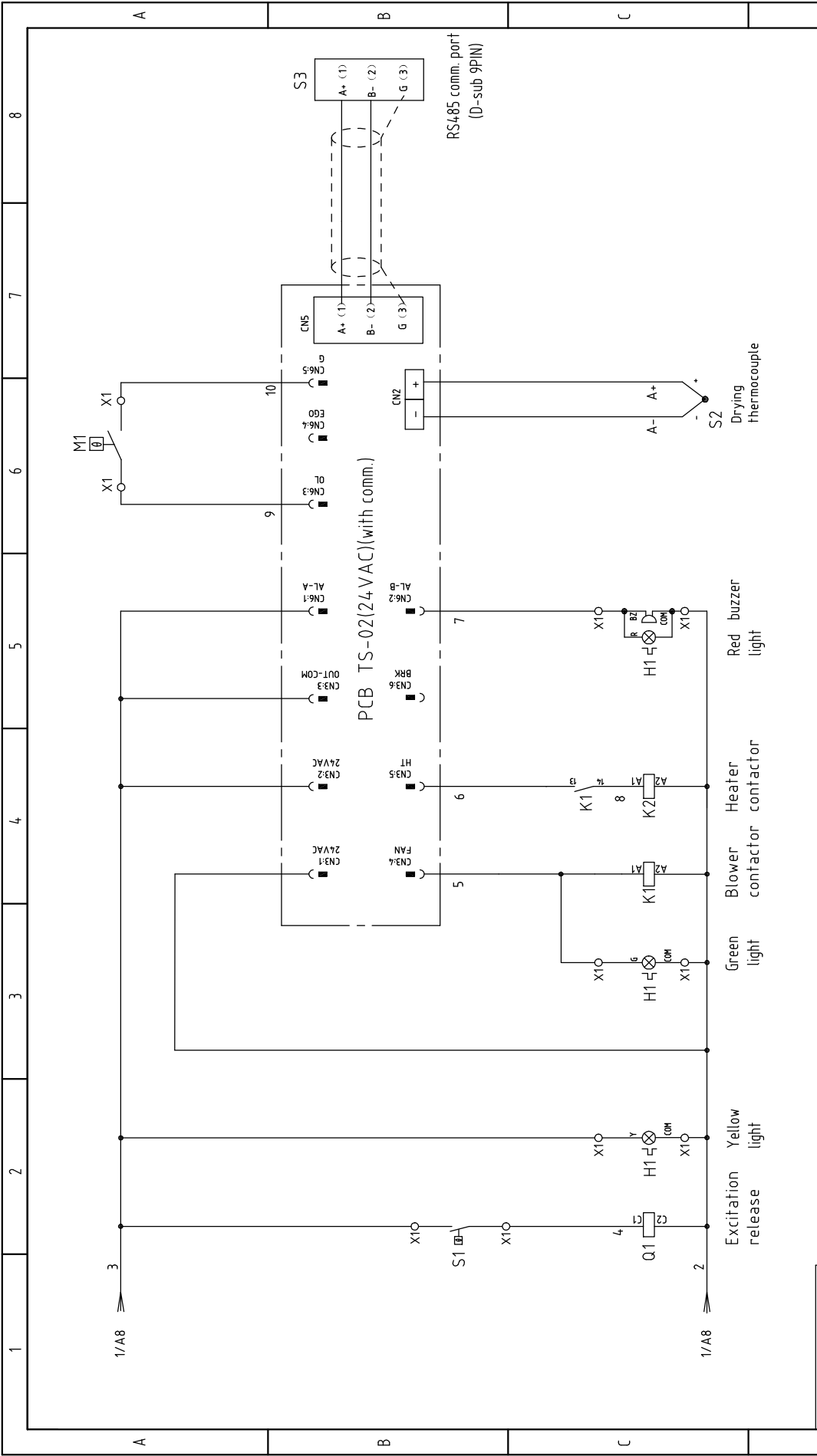




机型版本 Ver.B

Mark	Before modification	After modification	Modify date	Checked by	Date	Proofread by	Designer	Drawer	Version	A	Title	SEHD-25	Drawing NO.	SEHD-25-CE-400V-A-1	Scale	Standard	CE	Page	1
					20210115				Approved by		Main Circuit Diagram							Totally	4
																		Voltage	3φ400V
																		Frequency	50Hz

SHINI 信易電熱機械股份有限公司
Shini Plastics Technologies, Inc.



机 型 版 本	Ver.B
Mark	Before modification
	After modification
	Modify date
	Checked by
	Proofread by
	Designer
	Drawer
Version	A

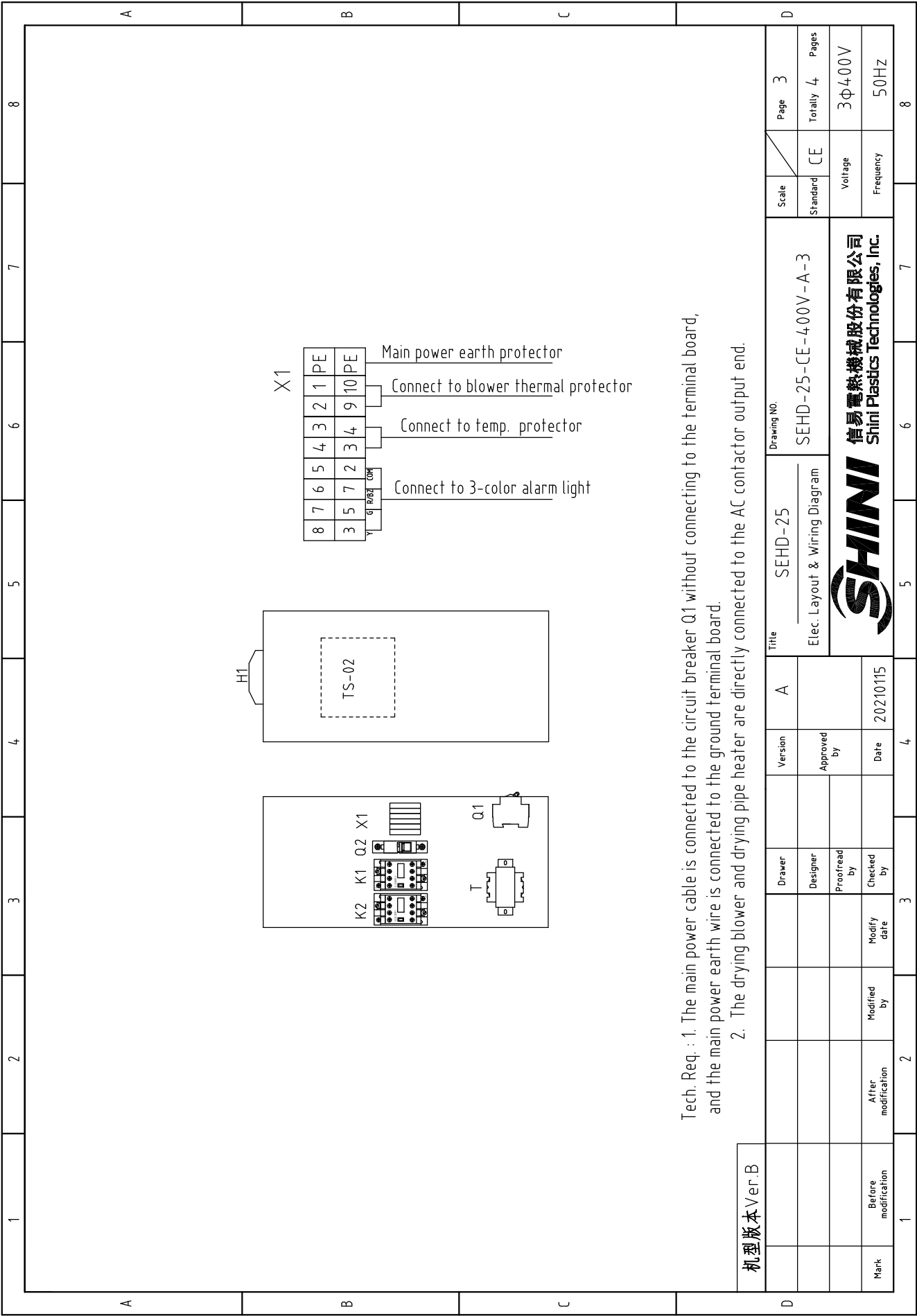
Note: M1 is the overheat protector of the drying blower.

Title	SEHD-25
Electrical Diagram	

Drawing NO.	SEHD-25-CE-400V-A-2
-------------	---------------------

Scale	Standard	Page	2
Standard	CE	Totally	4
Pages		Pages	
Voltage	3φ400V	Frequency	50HZ






Tech. Req. : 1. The main power cable is connected to the circuit breaker Q1 without connecting to the terminal board, and the main power earth wire is connected to the ground terminal board.
 2. The drying blower and drying pipe heater are directly connected to the AC contactor output end.

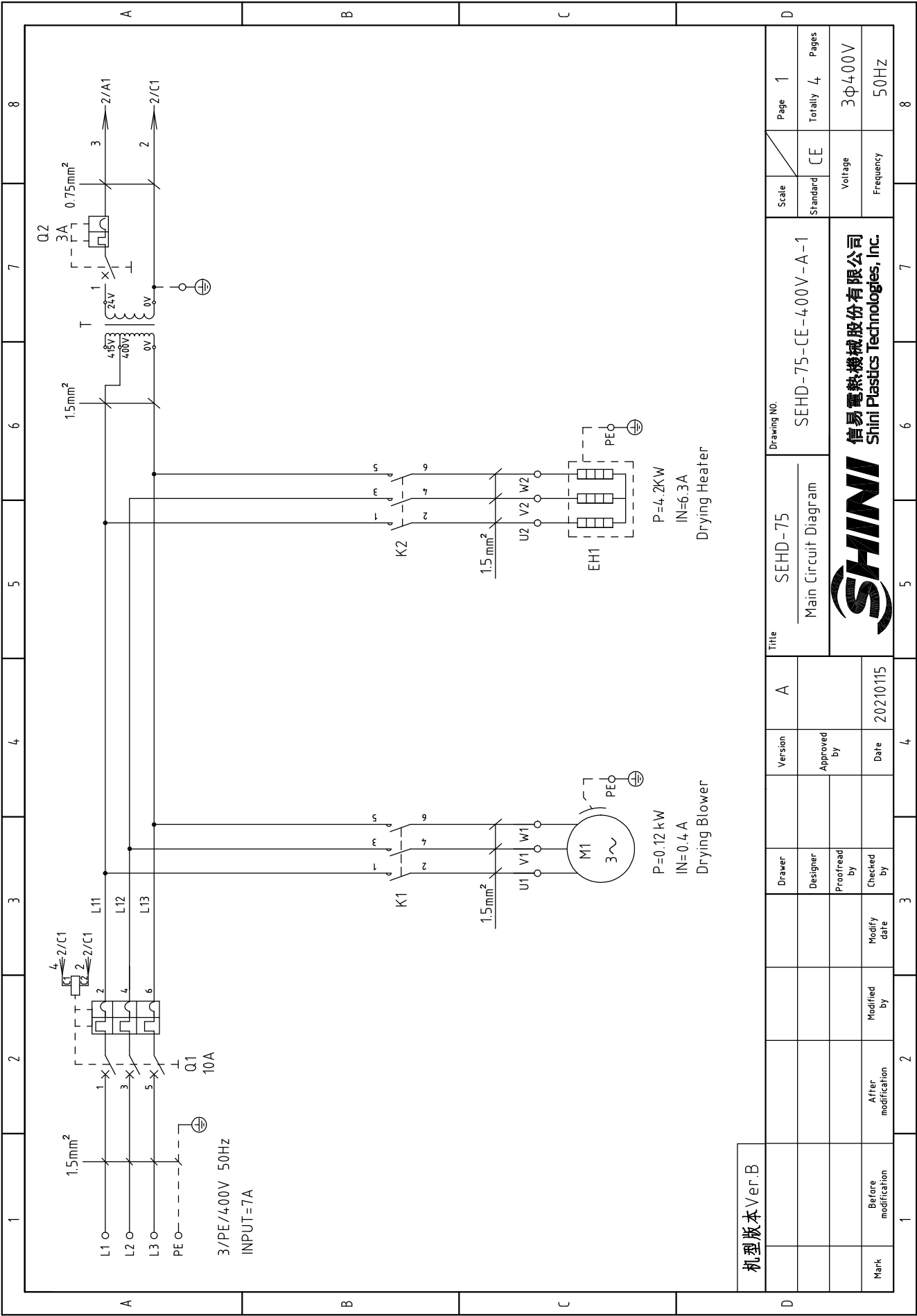
机 型 版 本	Ver.B
Mark	Before modification
	After modification
	Modify date
	Checked by
	Proofread by
	Designer
	Drawer
Version	A
Approved by	
Date	20210115

Title		SEHD-25		Drawing NO.		SEHD-25-CE-400V-A-3		Scale		Page 3	
Elec. Layout & Wiring Diagram								Standard		Totally 4	
								Voltage		3φ400V	
								Frequency		50Hz	



1		2		3		4		5		6		7		8	
NO.	Symbol	Name	Manufacturer	Type	Specification	Number	Material number	Remark							
1	Q1	Circuit breaker	TECO	BM-63C/3010S	10A 3P	1	YE40301003000								
2		Excitation release	---	MX	24V 50/60Hz	1	YE40024000000								
3	Q2	Circuit breaker	TECO	BM-63C/1003S	3A 1P	1	YE40100203000								
4	K1	Contact	SIEMENS	3RT6015-1AB01	24V 7A 50/60Hz 1NO	1	YE00601502500								
5	K2	Contact	SIEMENS	3RT6016-1AB01	24V 9A 50/60Hz	1	YE00601602500								
6	T	Transformer	JIUXIN	IN=400V/415V OUT=24V	80VA	1	YE70040006500								
7	PCB	Dryer controller/PCB	YuYun	TS-02(24V AC)(with comm.)	24V 50/60Hz	1	YE80022401200								
8	S1	温度保护器/Overheat protector	EGG	---	115-320°C	1	BH90115000150	Cancel							
9	S1	Overheat protector	---	---	180°C	1	---	Increase(1)							
10	S2	Thermocouple	SHINI	KTYPE	---	1	---	(1)							
11	S3	Comm. interface board RS-485(Dsub-9pin connector)	---	---	---	1	YE90048501200								
12	M1	Shell RS485(SAL-700G-A-19)ver. 0	---	---	---	1	YR40048500000								
13	M1	Blower	---	---	0.12kW 400V 50HZ	1	---	(1)							
14	EH1	Heater	SHINI	---	3kW 400V	1	---	(1)							
15	X1	Spring wiring terminal SK2.5(Honeywell)	Honeywell	SK2.5	2.5mm ²	-2- 8	YE60002503200	Revised							
16		Spring wiring terminal SK2.5(Honeywell)	Honeywell	GK2.5PE	2.5mm ² PE	1	YE60002503400								
17		Terminal fittings E/GK series (Honeywell)	Honeywell	---	GK series	3	YE60000003900								
18	H1	3-color alarm lamp	SHINI	Red, yel, green + buzzer	24V AC/DC	1	BL90002401520	Increase							
C															
D															
机 型 版 本 Ver.B															
Notes: (1)Materials in the control box;															
		Drawer		Version		Title		Drawing NO.		Scale		Page		4	
		Designer		Approved by		SEHD-25		SEHD-25-CE-400V-A-4		Standard		Totally		4	
		Proofread by		Date		Electrical parts List 1				CE		Voltage		3φ400V	
Mark		After modification		Modify date		SHINI		信易电热机械股份有限公司 Shini Plastics Technologies, Inc.		Frequency		50Hz		8	
1		2		3		4		5		6		7		8	

1		2		3		4		5		6		7		8			
NO.	Symbol	Name	Manufacturer	Type	Specification	Number	Material number	Remark									
1	Q1	Circuit breaker	TECO	BM-63C/3010S	10A 3P	1	YE40301003000										
2		Excitation release	---	MX	24V 50/60Hz	1	YE40024000000										
3	Q2	Circuit breaker	TECO	BM-63C/1003S	3A 1P	1	YE40100203000										
4	K1	Contact	SIEMENS	3RT6015-1AB01	24V 7A 50/60Hz 1NO	1	YE00601502500										
5	K2	Contact	SIEMENS	3RT6016-1AB01	24V 9A 50/60Hz	1	YE00601602500										
6	T	Transformer	JIUXIN	IN=400V/4.15V OUT=24V	80VA	1	YE70040006500										
7	PCB	Dryer controller/PCB	YuYun	TS-02(24VAC)(with comm.)	24V 50/60Hz	1	YE80022401200										
8	S1	温度保护器/Overheat protector	EG0	---	115-320°C	1	BH90115000150	Cancel									
9	S1	Overheat protector	---	---	180°C	1	---	Increase(1)									
10	S2	Thermocouple	SHINI	KTYPE	---	1	---	(1)									
11	S3	Comm. interface board RS-485(Dsub-9pin connector)	---	---	---	1	YE90048501200										
12	M1	Shell RS485(SAL-700G-A-19)ver. 0	---	---	---	1	YR40048500000										
13		Blower	---	---	0.12kW 400V 50HZ	1	---	(1)									
14	EH1	Heater	SHINI	---	3.9kW 400V	1	---	(1)									
15	X1	Spring wiring terminal SK2.5(Honeywell)	Honeywell	SK2.5	2.5mm ²	2	YE60002503200	Revised									
16		Spring wiring terminal SK2.5(Honeywell)	Honeywell	GK2.5PE	2.5mm ² PE	1	YE60002503400										
17		Terminal fittings E/GK series (Honeywell)	Honeywell	---	GK series	3	YE60000003900										
18	H1	3-color alarm lamp	SHINI	Red, yel, green + buzzer	24V AC/DC	1	BL90002401520	Increase									
C																	
D																	
机型号本 Ver.B Notes: (1)Materials in the control box;																	
				Version		A		Title		SEHD-50		Drawing NO.		Scale			
				Approved by				Electrical parts List 1		SEHD-50-CE-400V-A-4		CE		Page 4			
				Proofread by						Voltage		3φ4.00V		Totally 4 Pages			
Mark				After modification		Modified by		Date		Frequency		50HZ		8			
1				2		3		4		5		6		7		8	

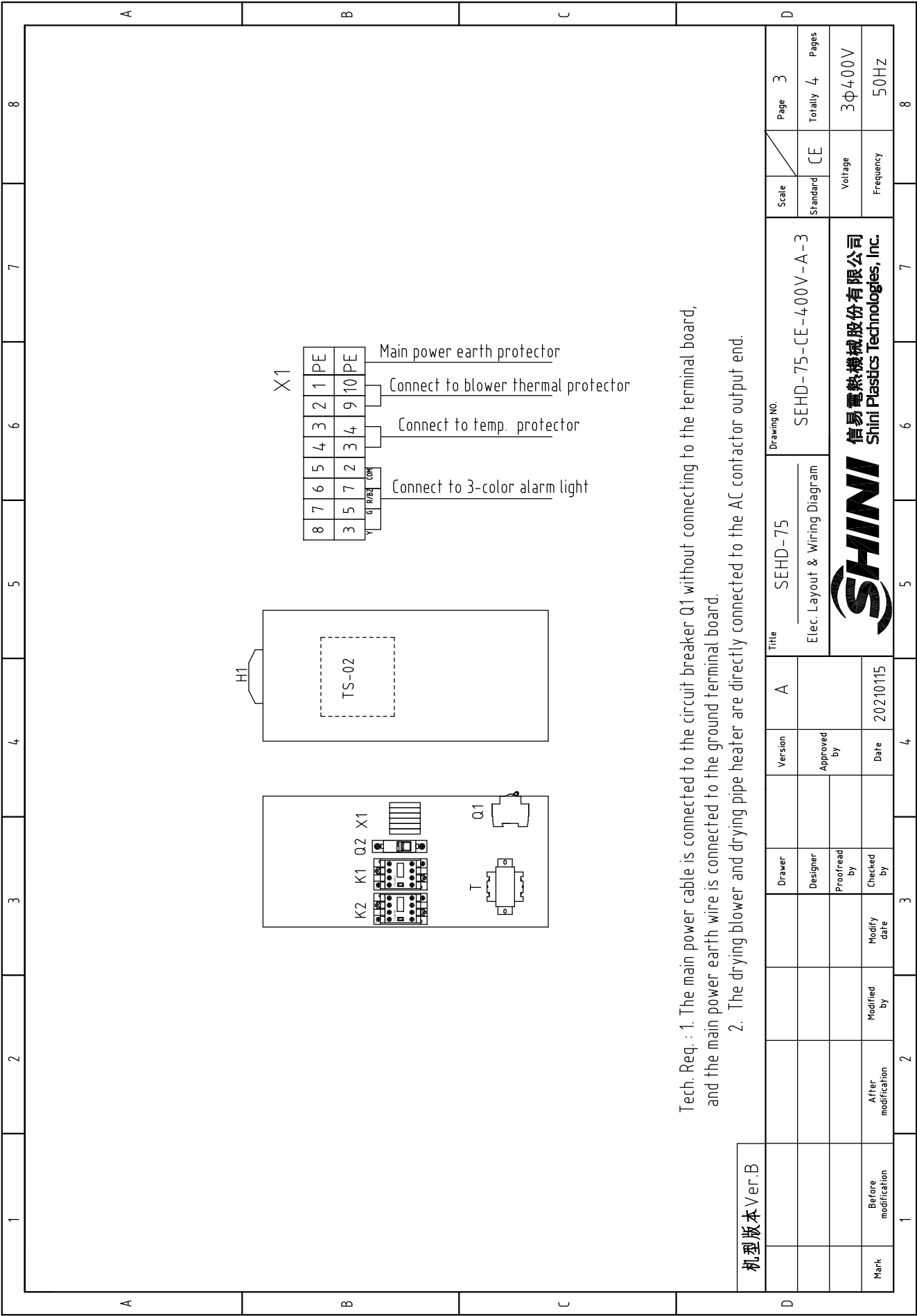


机 型 版 本	Ver.B
---------	-------

Mark	Before modification	After modification	Modify date	Checked by	Date
					20210115

Title	SEHD-75	Drawing NO.	SEHD-75-CE-400V-A-1
	Main Circuit Diagram		
Version	A	Scale	CE
Approved by		Standard	CE
Proofread by		Voltage	3φ400V
Checked by		Frequency	50Hz
Modified by		Page	1
Modify date		Totally	4
Pages		Pages	



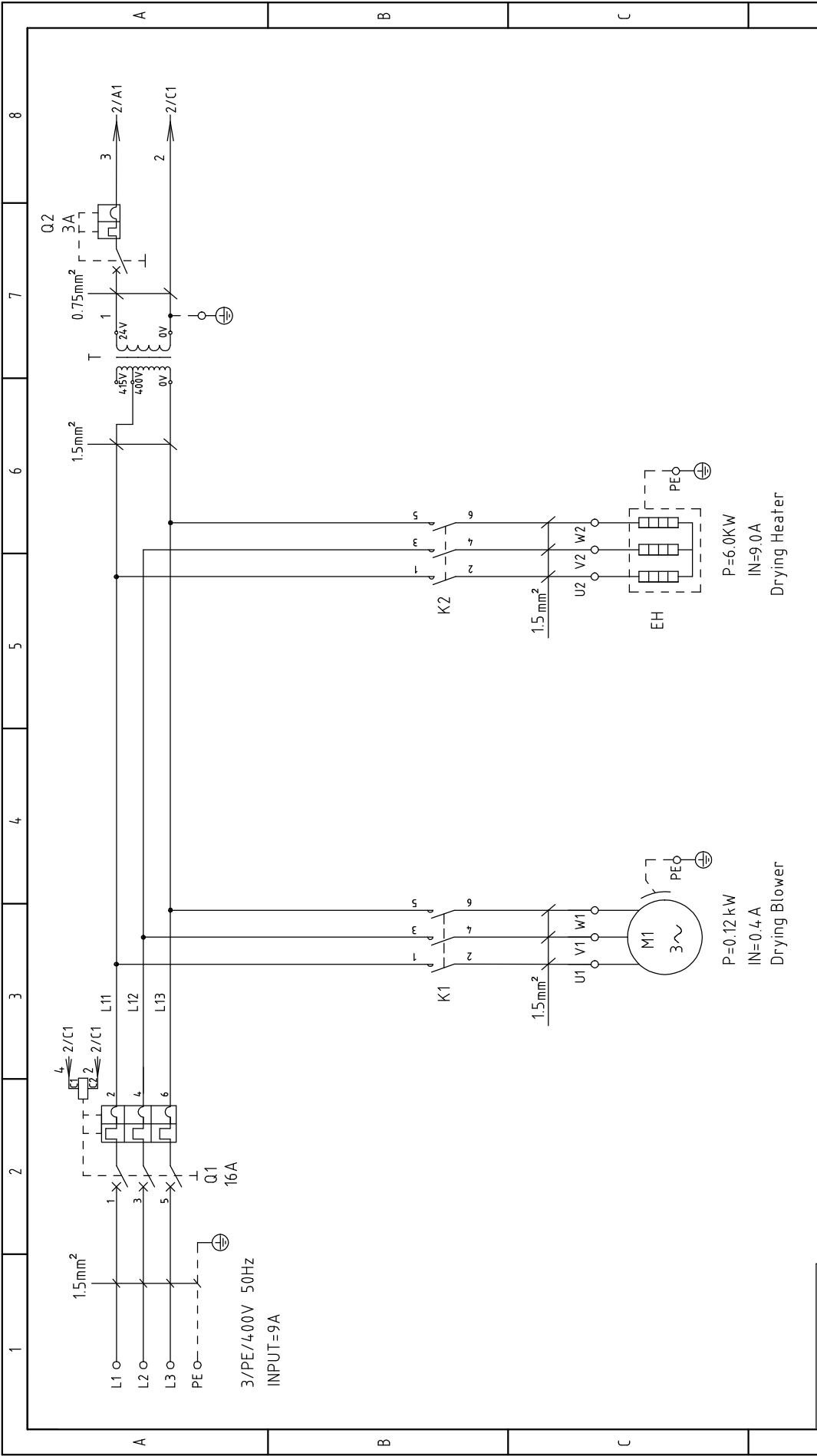


Tech. Req. : 1. The main power cable is connected to the circuit breaker Q1 without connecting to the terminal board, and the main power earth wire is connected to the ground terminal board.
 2. The drying blower and drying pipe heater are directly connected to the AC contactor output end.

机 型 版 本	Ver.B
Mark	Before modification
	After modification
	Modified by
	Modify date
	Checked by
	Proofread by
	Designer
	Drawer
	Version
	Approved by
	Date
	20210115

Title		SEHD-75		Drawing NO.		SEHD-75-CE-400V-A-3	
Elec. Layout & Wiring Diagram		Scale		Standard		Page 3	
SHINI 信易電熱機械股份有限公司 Shini Plastics Technologies, Inc.		Voltage		Frequency		Totally 4 Pages	
		3Φ400V		50HZ			

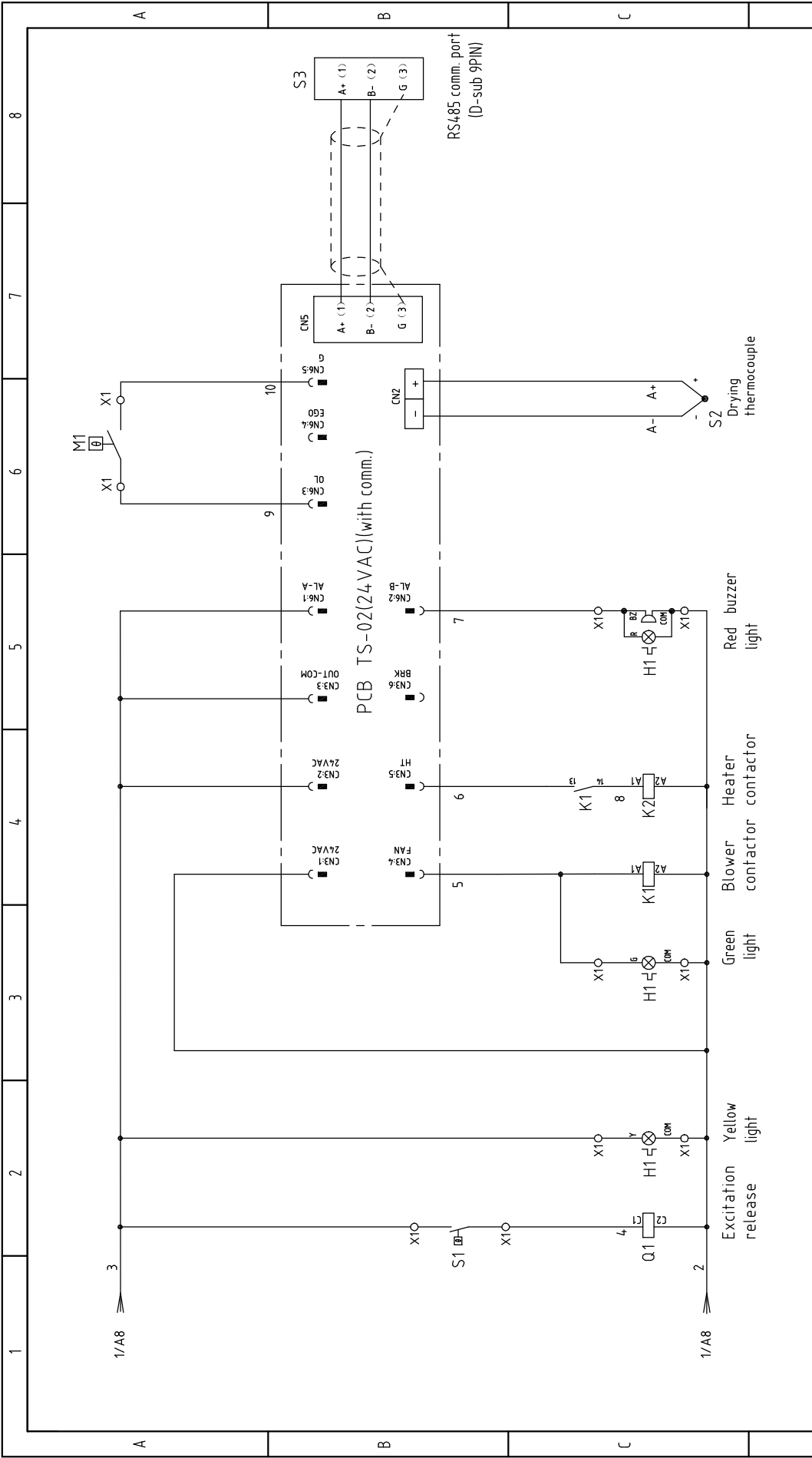
1		2		3		4		5		6		7		8	
NO.	Symbol	Name	Manufacturer	Type	Specification	Number	Material number	Remark							
1	Q1	Circuit breaker	TECO	BM-63C/3010S	10A 3P	1	YE40301003000								
2		Excitation release	---	MX	24V 50/60Hz	1	YE40024000000								
3	Q2	Circuit breaker	TECO	BM-63C/1003S	3A 1P	1	YE40100203000								
4	K1	Contact	SIEMENS	3RT6015-1AB01	24V 7A 50/60Hz (NO)	1	YE00601502500								
5	K2	Contact	SIEMENS	3RT6016-1AB01	24V 9A 50/60Hz	1	YE00601602500								
6	T	Transformer	JIUXIN	IN=400V/415V OUT=24V	80VA	1	YE70040006500								
7	PCB	Dryer controller/PCB	YuYun	TS-02(24VAC)(with comm.)	24V 50/60Hz	1	YE80022401200								
8	S1	温度保护器/Overheat protector	EGO	---	115-320 °C	1	BH90115000150	Cancel							
9	S1	Overheat protector	---	---	180°C	1	---	Increase(1)							
10	S2	Thermocouple	SHINI	KTYPE	---	1	---	(1)							
11	S3	Comm. interface board RS-485(Dsub-9pin connector)	---	---	---	1	YE90048501200								
12		Shell RS485(SAL-700G-A-19)ver. 0	---	---	---	1	YR40048500000								
13	M1	Blower	---	---	0.12kW 400V 50HZ	1	---	(1)							
14	EH1	Heater	SHINI	---	4.2kW 400V	1	---	(1)							
15	X1	Spring wiring terminal SK2.5(Honeywell)	Honeywell	SK2.5	2.5mm ²	2- 8	YE60002503200	Revised							
16		Earth terminal SK2.5(Honeywell)	Honeywell	GK2.5PE	2.5mm ² PE	1	YE60002503400								
17		Terminal fittings E/GK series (Honeywell)	Honeywell	---	GK series	3	YE60000003900								
18	H1	3-color alarm lamp	SHINI	Red, yel, green.+ buzzer	24V AC/DC	1	BL90002401520	Increase							
C															
D															
机 型 版 本 Ver.B															
Notes: (1)Materials in the control box;															
		Drawer		Version		Title		SEHD-75		Drawing NO.		Scale		Page 4	
		Designer		Approved by		Electrical parts List 1		SEHD-75-CE-400V-A-4		Standard		CE		Totally 4 Pages	
		Proofread by		Date		SHINI		信易电热机械股份有限公司		Voltage		3Φ400V		Frequency	
Mark		After modification		Modify date		20210115		SHINI		Shini Plastics Technologies, Inc.		50HZ		8	



机型版本 Ver.B

Mark	Before modification	Modified by	Modify date	Checked by	Date	Proofread by	Designer	Drawer	Version	A	Title	SEHD-100 Main Circuit Diagram	Drawing NO.	SEHD-100-CE-400V-A-1	Scale	Standard	Page	1	
					20210115				Approved by						CE		Totally	4	
																	Veitarge		3φ400V
																	Frequency		50HZ

SHINI 信易電熱機械股份有限公司
Shini Plastics Technologies, Inc.



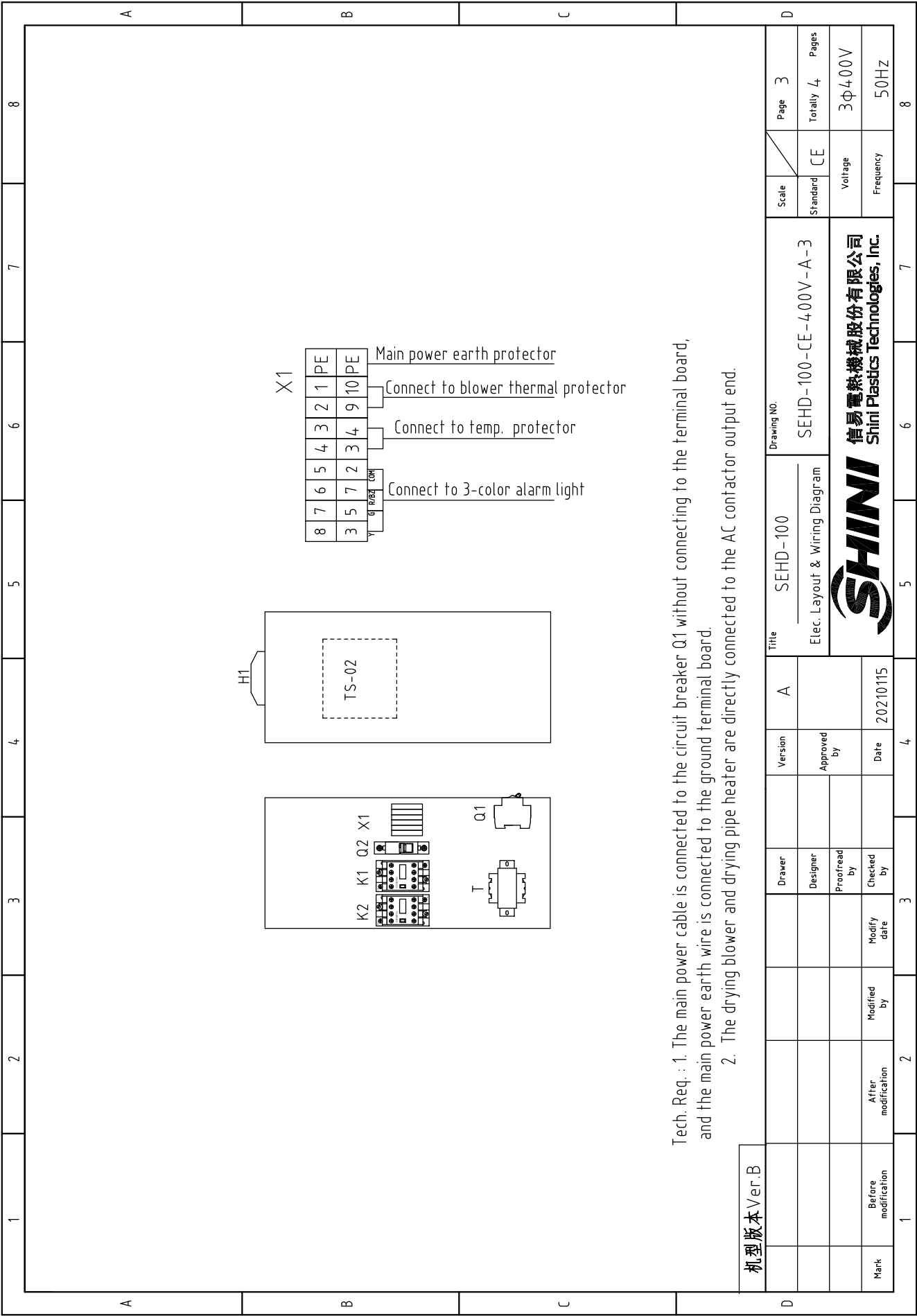
机型版本 Ver.B

Note: M1 is the overheat protector of the drying blower.

Mark	Before modification	After modification	Modify date	Date	20210115
		Proofread by	Checked by	Approved by	
		Designer		Version	A
		Drawer		Title	SEHD-100
				Electrical Diagram	SEHD-100-CE-400V-A-2



Scale	Standard	CE	Page 2
Standard	Standard	CE	Totally 4
Pages	Pages	Pages	Pages
Voltage	3φ400V	Frequency	50HZ



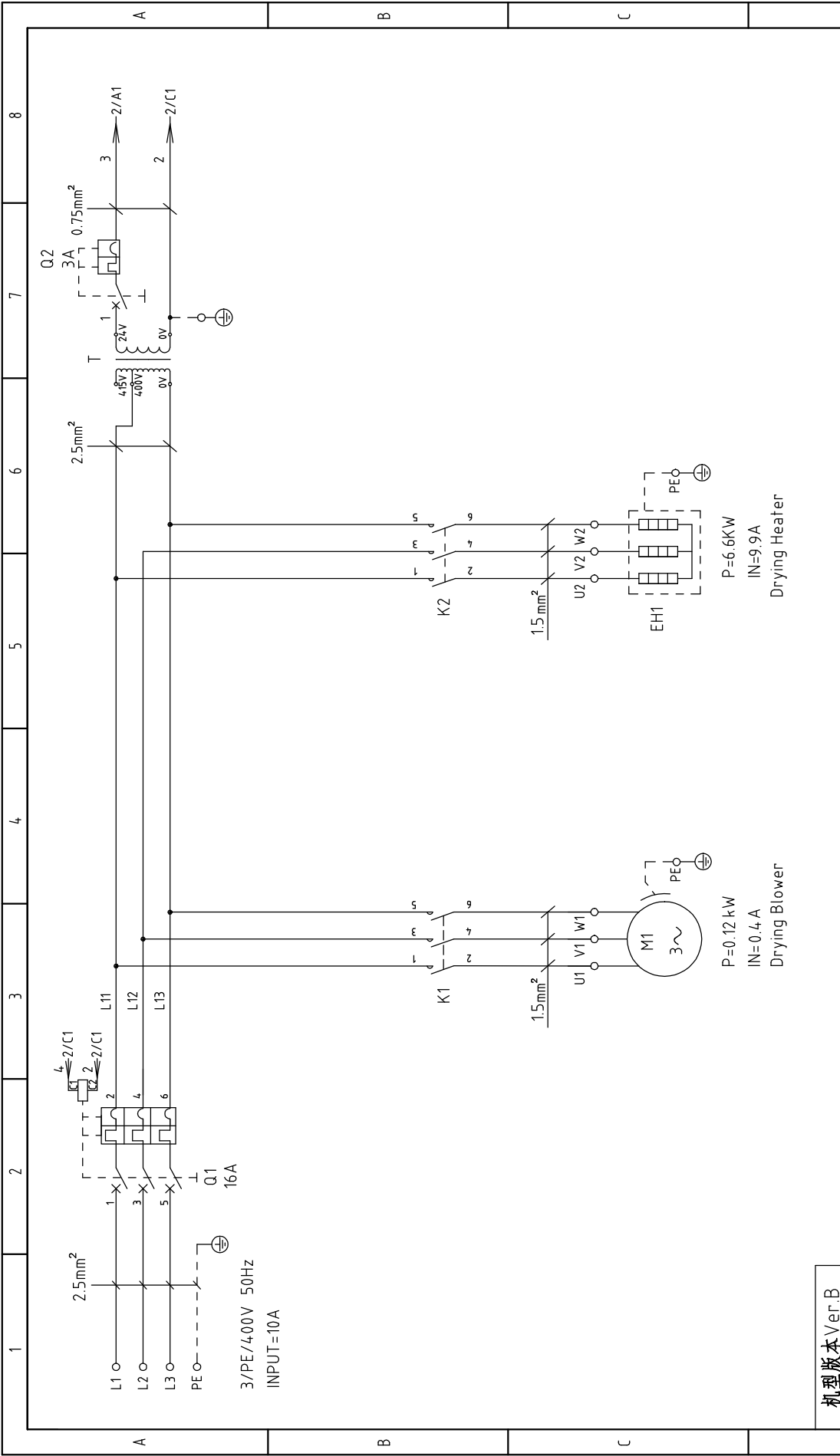
Tech. Req. : 1. The main power cable is connected to the circuit breaker Q1 without connecting to the terminal board, and the main power earth wire is connected to the ground terminal board.
 2. The drying blower and drying pipe heater are directly connected to the AC contactor output end.

机型版本 Ver.B

Mark	Before modification	Modified by	Modify date	Date	20210715	Approved by	Version	A	Title	SEHD-100 Elec. Layout & Wiring Diagram	Drawing NO.	SEHD-100-CE-4.00V-A-3	Scale	Page
	CE	3	Standard										Totally	4
Mark	Before modification	Modified by	Modify date	Date	20210715	Approved by	Version	A	Title	SEHD-100 Elec. Layout & Wiring Diagram	Drawing NO.	SEHD-100-CE-4.00V-A-3	Voltage	Frequency
	3 ϕ 400V	50HZ												
													8	



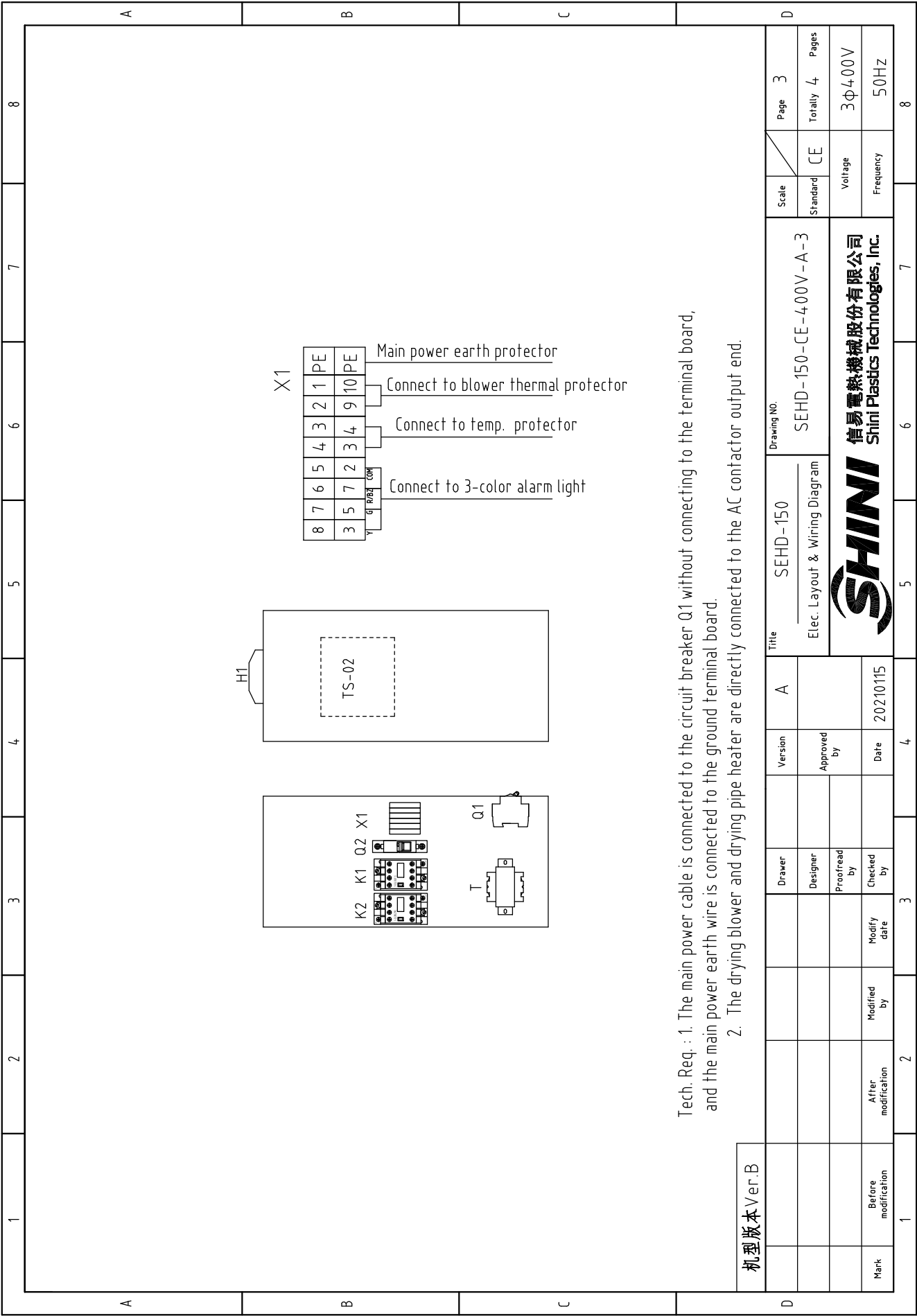
1		2		3		4		5		6		7		8	
NO.	Symbol	Name	Manufacturer	Type	Specification	Number	Material number	Remark							
1	Q1	Circuit breaker	TECO	BM-63C/3016S	16A 3P	1	YE40301603000								
2		Excitation release	---	MX	24V 50/60Hz	1	YE40024000000								
3	Q2	Circuit breaker	TECO	BM-63C/1003S	3A 1P	1	YE40100203000								
4	K1	Contact	SIEMENS	3RT6015-1AB01	24V 7A 50/60Hz 1NO	1	YE00601502500								
5	K2	Contact	SIEMENS	3RT6018-1AB01	24V 16A 50/60Hz	1	YE00601802500								
6	T	Transformer	JIUXIN	IN=400V/415V OUT=24V	80VA	1	YE70040006500								
7	PCB	Dryer controller/PCB	YuYun	TS-02(24VAC)(with comm.)	24V 50/60Hz	1	YE80022401200								
8	S1	温度保护器/Overheat protector	EGO	---	115-320 °C	1	BH90115000150	Cancel							
9	S1	Overheat protector	---	---	180 °C	1	---	Increase(1)							
10	S2	Thermocouple	SHINI	KTYPE	---	1	---	(1)							
11	S3	Comm. interface board RS-485(Dsub-9pin connector)	---	---	---	1	YE90048501200								
12		Shell RS485(SAL-700G-A-19)ver. 0	---	---	---	1	YR40048500000								
13	M1	Blower	---	---	0.12kW 400V 50HZ	1	---	(1)							
14	EH	Heater	SHINI	---	6kW 400V	1	---	(1)							
15	X1	Spring wiring terminal SK2.5(Honeywell)	Honeywell	SK2.5	2.5mm ²	-2- 8	YE60002503200	Revised							
16		Earth terminal SK2.5(Honeywell)	Honeywell	GK2.5PE	2.5mm ² PE	1	YE60002503400								
17		Terminal fittings E/GK series (Honeywell)	Honeywell	---	GK series	3	YE60000003900								
18	H1	3-color alarm lamp	SHINI	Red, yel, green, + buzzer	24V AC/DC	1	BL90002401520	Increase							
C															
D															
机 型 版 本 Ver.B															
Notes: (1)Materials in the control box;															
		Drawer		Version		Title		Drawing NO.		Scale		Page		4	
		Designer		Approved by		SEHD-100		SEHD-100-CE-400V-A-4		Standard		CE		Totally 4	
		Proofread by		Date		Electrical parts List 1				Voltage		3φ400V			
Mark		After modification		20210115		SHINI		信易电热机械股份有限公司 Shini Plastics Technologies, Inc.		Frequency		50Hz		8	



机型版本	Ver.B
------	-------

Drawer		Version	A	Title	SEHD-150	Drawing NO.	SEHD-150-CE-400V-A-1
Designer		Approved by		Main Circuit Diagram			
Proofread by				SHINI 信易電熱機械股份有限公司 Shini Plastics Technologies, Inc.			
Checked by		Date	20210115	Scale Standard CE			
Modified by		Modify date		Voltage 3Φ400V			
Before modification				Frequency 50Hz			

1	2	3	4	5	6	7	8
Page	1	Totally		4	Pages		8



Tech. Req. : 1. The main power cable is connected to the circuit breaker Q1 without connecting to the terminal board, and the main power earth wire is connected to the ground terminal board.

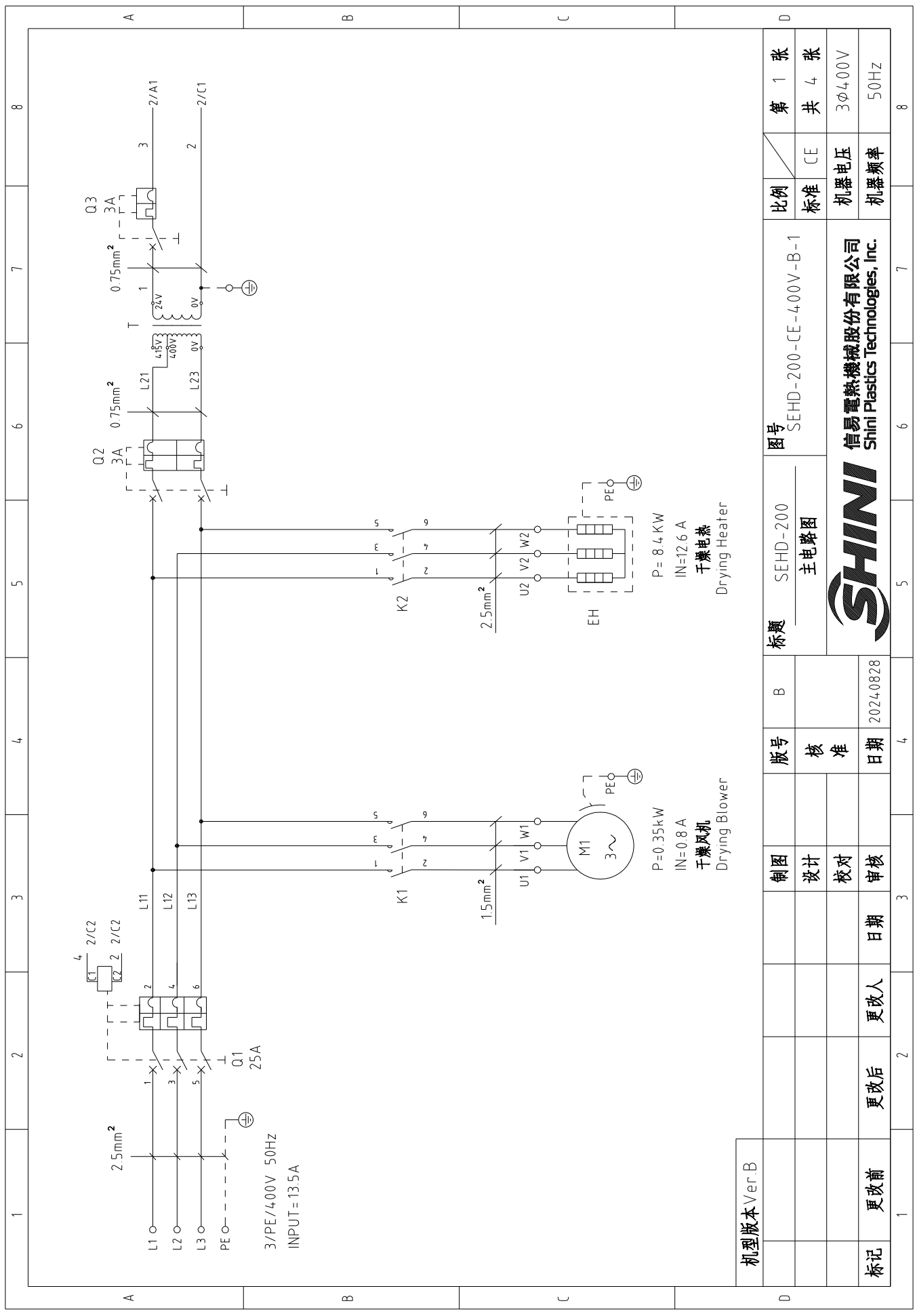
2. The drying blower and drying pipe heater are directly connected to the AC contactor output end.

机 型 版 本	Ver.B
Mark	Before modification
	After modification
	Modify date
	Checked by
	Proofread by
	Designer
	Drawer
Version	A

Scale	Page	3
	Totally	4
Standard	CE	
	Voltage	3Φ400V
Frequency	Frequency	50Hz
	Drawing NO.	
SEHD-150		SEHD-150-CE-400V-A-3
Elec. Layout & Wiring Diagram		
SHINI 信易電熱機械股份有限公司 Shini Plastics Technologies, Inc.		
Title	SEHD-150	
Version	A	
Approved by		
Date	20210115	
Modified by		
Modify date		
Checked by		
Proofread by		
Designer		
Drawer		
Page	3	
Totally	4	
Standard	CE	
Voltage	3Φ400V	
Frequency	50Hz	
Drawing NO.		
SEHD-150		SEHD-150-CE-400V-A-3
Elec. Layout & Wiring Diagram		
SHINI 信易電熱機械股份有限公司 Shini Plastics Technologies, Inc.		
Title	SEHD-150	
Version	A	
Approved by		
Date	20210115	
Modified by		
Modify date		
Checked by		
Proofread by		
Designer		
Drawer		
Page	3	
Totally	4	
Standard	CE	
Voltage	3Φ400V	
Frequency	50Hz	

1		2		3		4		5		6		7		8	
NO.	Symbol	Name	Manufacturer	Type	Specification	Number	Material number	Remark							
1	Q1	Circuit breaker	TECO	BM-63C/3016S	16A 3P	1	YE40301603000								
2		Excitation release	---	MX	24V 50/60Hz	1	YE40024000000								
3	Q2	Circuit breaker	TECO	BM-63C/1003S	3A 1P	1	YE40100203000								
4	K1	Contacto	SIEMENS	3RT6015-1AB01	24V 7A 50/60Hz 1NO	1	YE00601502500								
5	K2	Contacto	SIEMENS	3RT6018-1AB01	24V 16A 50/60Hz	1	YE00601802500								
6	T	Transformer	JIUXIN	IN=400V/415V OUT=24V	80VA	1	YE70040006500								
7	PCB	Dryer controller/PCB	YuYun	TS-02(24VAC)(with comm.)	24V 50/60Hz	1	YE80022401200								
8	S1	温度保护器/Overheat protector	EG0	----	115-320°C	1	BH90115000150	Cancel							
9	S1	Overheat protector	----	----	180°C	1	----	Increase(1)							
10	S2	Thermocouple	SHINI	KTYPE	----	1	----	(1)							
11	S3	Comm. interface board RS-485(DBsub-9pin connector)	----	----	----	1	YE90048501200								
12		Shell RS485(SAL-700G-A-19)ver. 0	----	----	----	1	YR40048500000								
13	M1	Blower	----	----	0.12kW 400V 50HZ	1	----	(1)							
14	EH1	Heater	SHINI	----	6.6kW 400V	1	----	(1)							
15	X1	Spring wiring terminal SK2.5(Honeywell)	Honeywell	SK2.5	2.5mm ²	-2- 8	YE60002503200	Revised							
16		Earth terminal SK2.5(Honeywell)	Honeywell	GK2.5PE	2.5mm ² PE	1	YE60002503400								
17		Terminal fittings E/GK series (Honeywell)	Honeywell	----	GK series	3	YE60000003900								
18	H1	3-color alarm lamp	SHINI	Red. yel.green + buzzer	24V AC/DC	1	BL90002401520	Increase							
C															
D															
机 型 版 本 Ver.B															
Notes: (1)Materials in the control box;															
		Drawer		Version		Title		Drawing NO.		Scale		Page		4	
		Designer		Approved by		SEHD-150		SEHD-150-CE-400V-A-4		Standard		CE		Totally 4	
		Proofread by		Date		Electrical parts List 1				Voltage		3Φ400V			
Mark		Modified by		Modify date		20210115				Frequency		50HZ			
1		2		3		4		5		6		7		8	



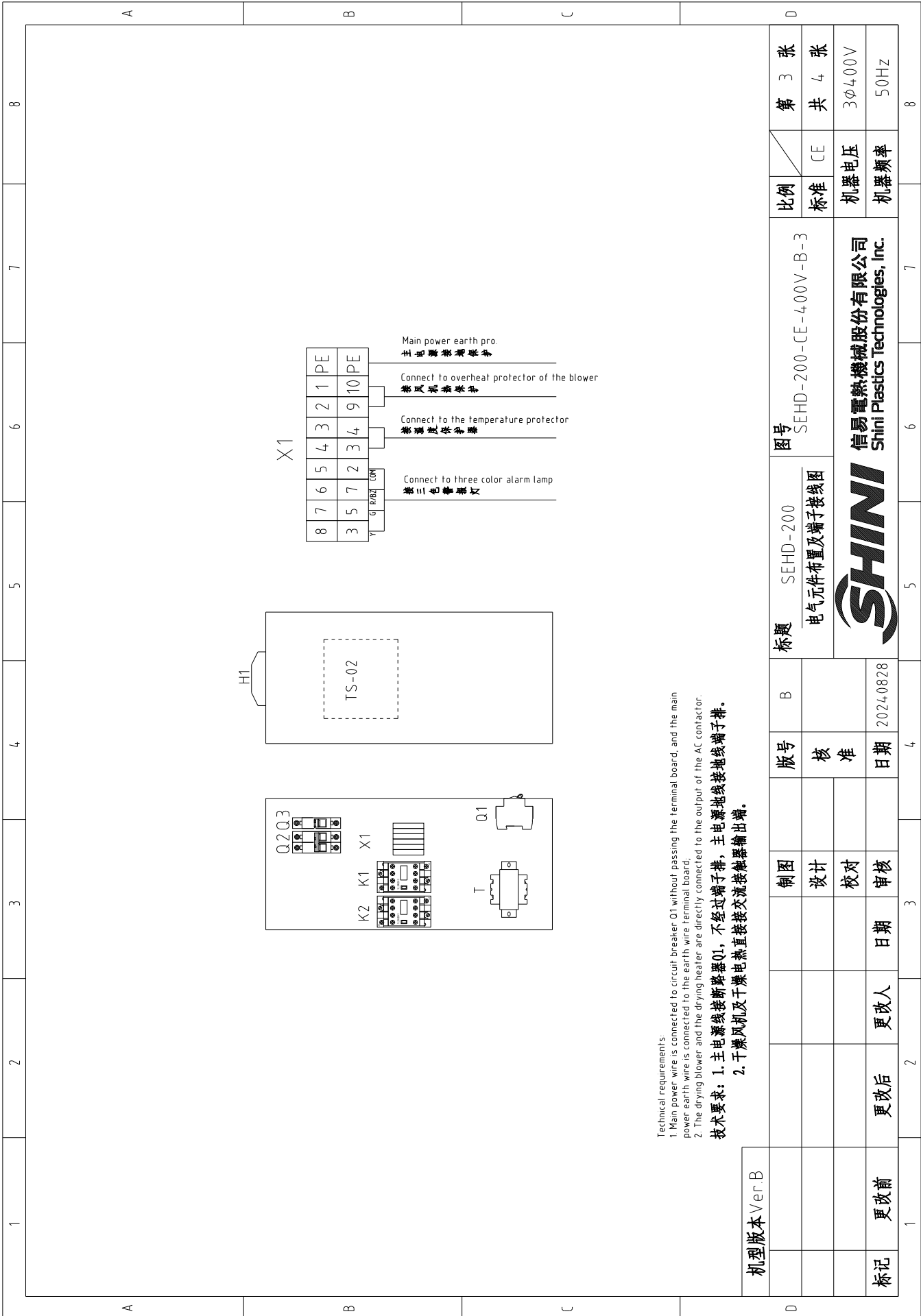


机型版本 Ver.B

制图	设计	校核	日期	2024-08-28
	设计	校核	日期	2024-08-28
版号	B	核准	日期	2024-08-28
标题	SEHD-200 主电路图			
图号	SEHD-200-CE-400V-B-1			
比例	CE	第 1 张	共 4 张	
标准	CE	机器电压	3φ400V	
		机器频率	50Hz	



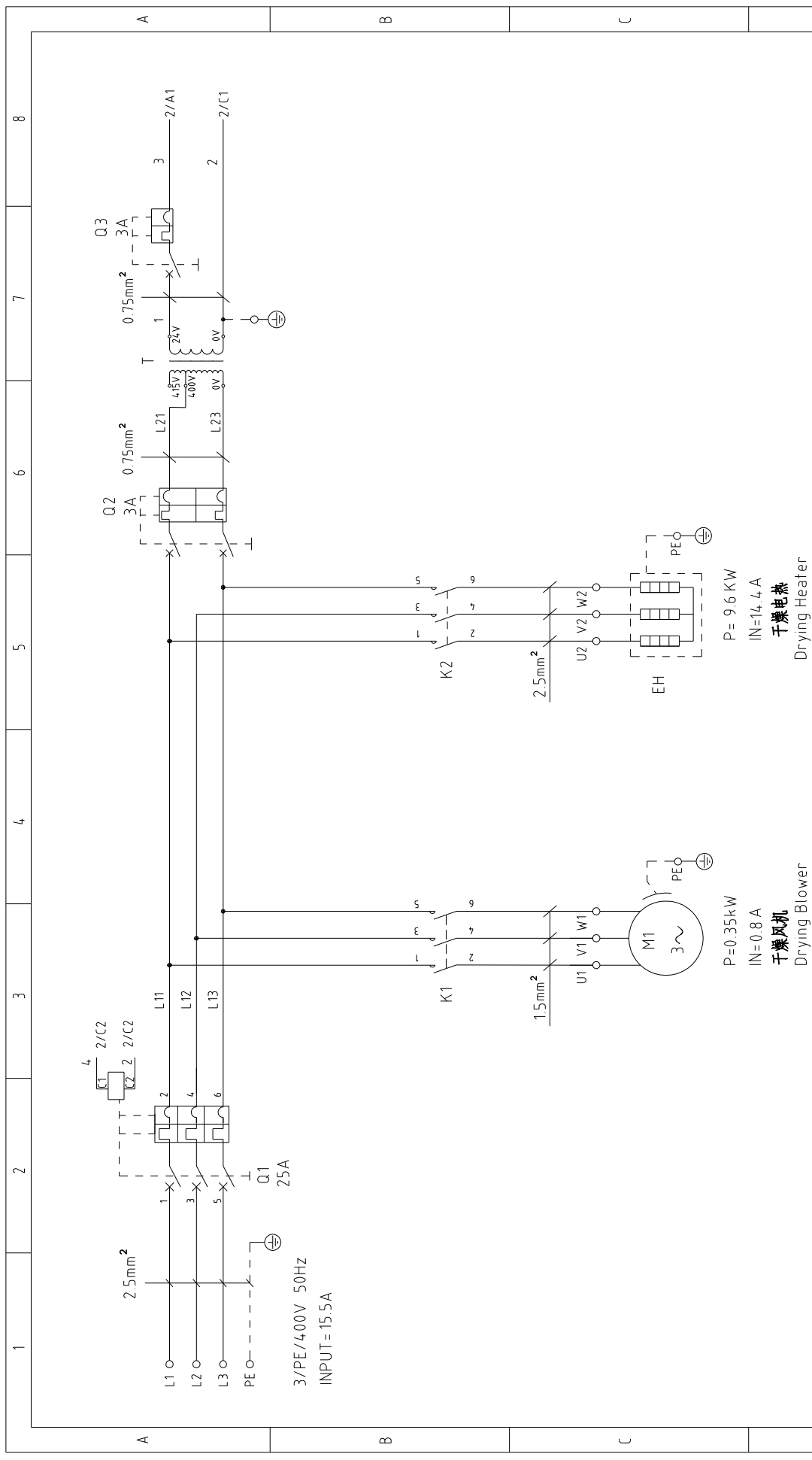
信易电热机械股份有限公司
Shini Plastics Technologies, Inc.



Technical requirements:
 1. Main power wire is connected to circuit breaker Q1 without passing the terminal board, and the main power earth wire is connected to the earth wire terminal board.
 2. The drying blower and the drying heater are directly connected to the output of the AC contactor.
**技术要求: 1. 主电源线接断路器Q1, 不经过端子排, 主电源地线接地端子排。
 2. 干燥风机及干燥电热直接接交流接触器输出端。**

机型版本	Ver.B	制图		版号	B	标题		SEHD-200	图号	SEHD-200-CE-4.00V-B-3	比例	第 3 张
		设计		核 准		电气元件布置及端子接线图			标准	CE	共 4 张	
		校对		日期	2024.08.28	SHINI			机器电压	3φ400V	机器频率	50Hz
标记	更改前	更改后	更改人	日期	3	4	5	6	7	8		

1		2		3		4		5		6		7		8	
序号/NO	符号/Symbol	名称/Name	制造商/Manufacturer	型号/Type	规格/Specification	单位/unit	数量/Number	物料编号/Material number	备注/Remark						
1	Q1	断路器/Circuit-breaker	TECO	BM-63C/3025S	25A 3P	PCS	1	YE40302503000							
2		励磁脱扣器/Excitation release	---	MX	24V 50/60Hz	PCS	1	YE40024000000							
3	Q3	断路器/Circuit-breaker	TECO	BM-63C/2003S	3A 2P	PCS	1	YE40200203000							
4	Q2	断路器/Circuit-breaker	TECO	BM-63C/1003S	3A 1P	PCS	1	YE40100203000							
5	K1	接触器/Contactor	SIEMENS	3RT6015-1AB01	24V 7A 50/60Hz 1N0	PCS	1	YE00601502500							
6	K2	接触器/Contactor	SIEMENS	3RT6026-1AC20	24V 25A 50/60Hz	PCS	1	YE00602602600							
7	T	变压器/Transformer	JIUXIN	IN=400V/4.15V OUT=24V	80VA	PCS	1	YE40100203000							
8	PCB	干燥机控制器/PCB	PUNP	TS-02P(24VAC)(含通讯) 邦普	24V 50/60Hz	PCS	1	YE80022405200							
9	S3	材料检测器(温度检测) Communication interface board B-6 (with RS485 module)	---	---	---	PCS	1	YE90048501200							
10		外壳RS485(SIL-700C-4-19)板 Shell RS485(SIL-700C-4-19)0	---	---	---	PCS	1	YR40048500000							
11	X1	弹簧接线端子(SIL-700C-4-19)板 Spring wiring terminal SZ.5(HomeWell)	Honeywell	SK2.5	2.5mm ²	PCS	8	BL90002401520							
12		接地端子(SIL-700C-4-19)板 Grounding terminal SZ.5(HomeWell)	Honeywell	GK2.5PE	2.5mm ² PE	PCS	1	YE600000003900							
13		终端附件(SIL-700C-4-19)板 Terminal fittings B/W series (HomeWell)	Honeywell	---	GK系列	PCS	4	YE51150400050							
14	H1	三色警报灯/Three color alarm light	SHINI	红黄绿色优先顺序+蜂鸣器	24V AC/DC	PCS	1	YE50015100000							
15	S1	温度保护器/Overheat protector	---	---	180°C		1	---	(1)						
16	S2	热电偶/Thermocouple	SHINI	KTYPE	---		1	---	(1)						
17	M1	风机/Blower	---	---	0.35kW 400V 50HZ		1	---	(1)						
18	EH	电热器/Heater	SHINI	---	8.4kW 400V		1	---	(1)						
C															
Notes: (1)Means it's not the material inside the control box.															
注: (1)表示非电控箱内材料															
D															
机型版本 Ver.B		制图		版号		标题		图号		比例		第 4 张		8	
		设计		核 准		SEHD-200		SEHD-200-CE-400V-B-4		标准		共 4 张			
		校对		日期		电气元件明细表一				机器电压		3Φ400V			
标记 更改前		更改后		更改人		日期		审核		机器频率		50Hz			
1		2		3		4		5		6		7		8	
								SHINI 信易电热机械股份有限公司 Shini Plastics Technologies, Inc.							

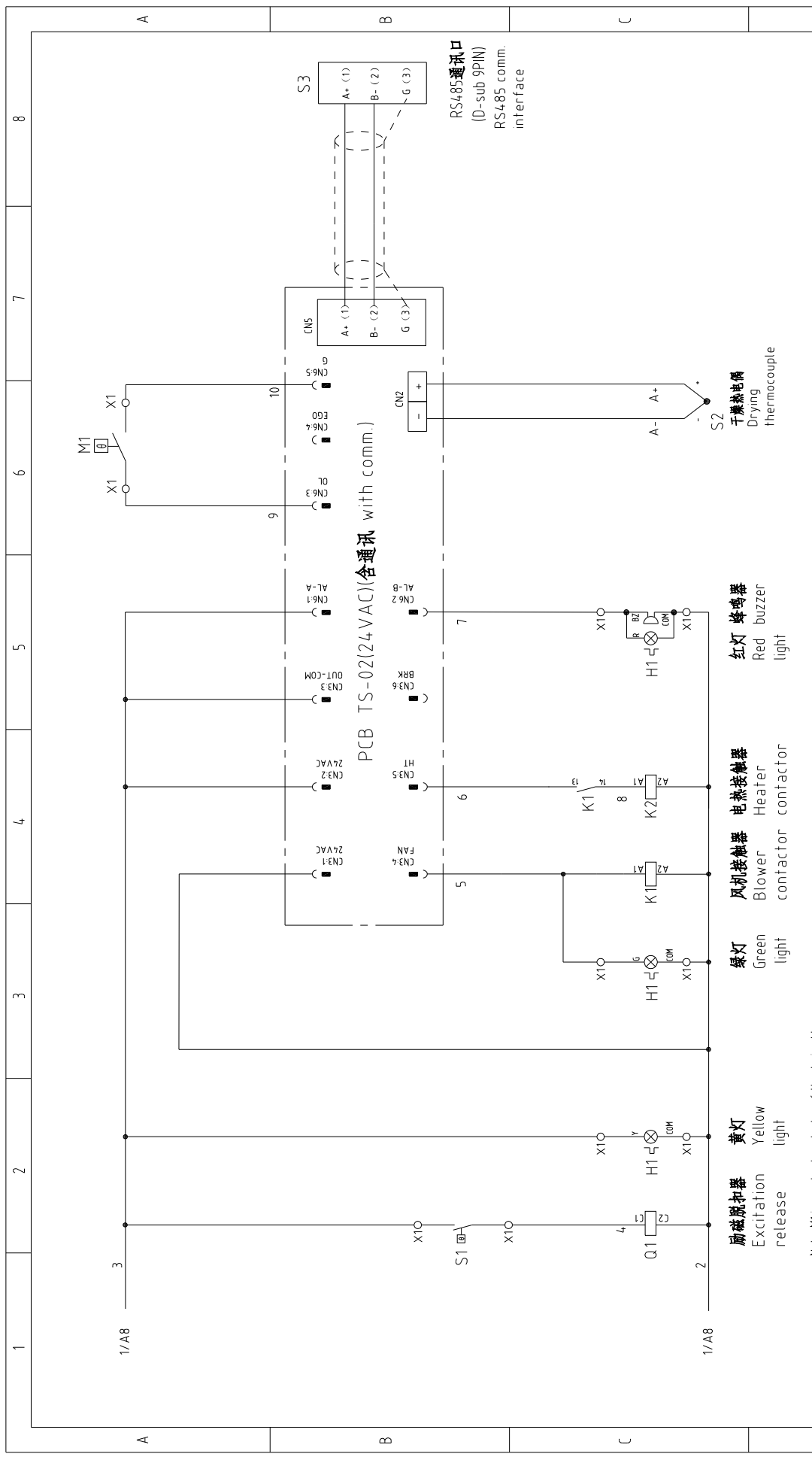


机型版本	Ver.B		
标记	更改前	更改后	更改人
			日期
			日期
	设计	校对	审核
	制图		
	版号	B	
	标题	SEHD-300 主电路图	
	图号	SEHD-300-CE-400V-B-1	
	比例	CE	第 1 张
	标准	CE	共 4 张
	机器电压	3φ400V	
	机器频率	50Hz	



信易电热机械股份有限公司
Shini Plastics Technologies, Inc.

1	2	3	4	5	6	7	8
---	---	---	---	---	---	---	---

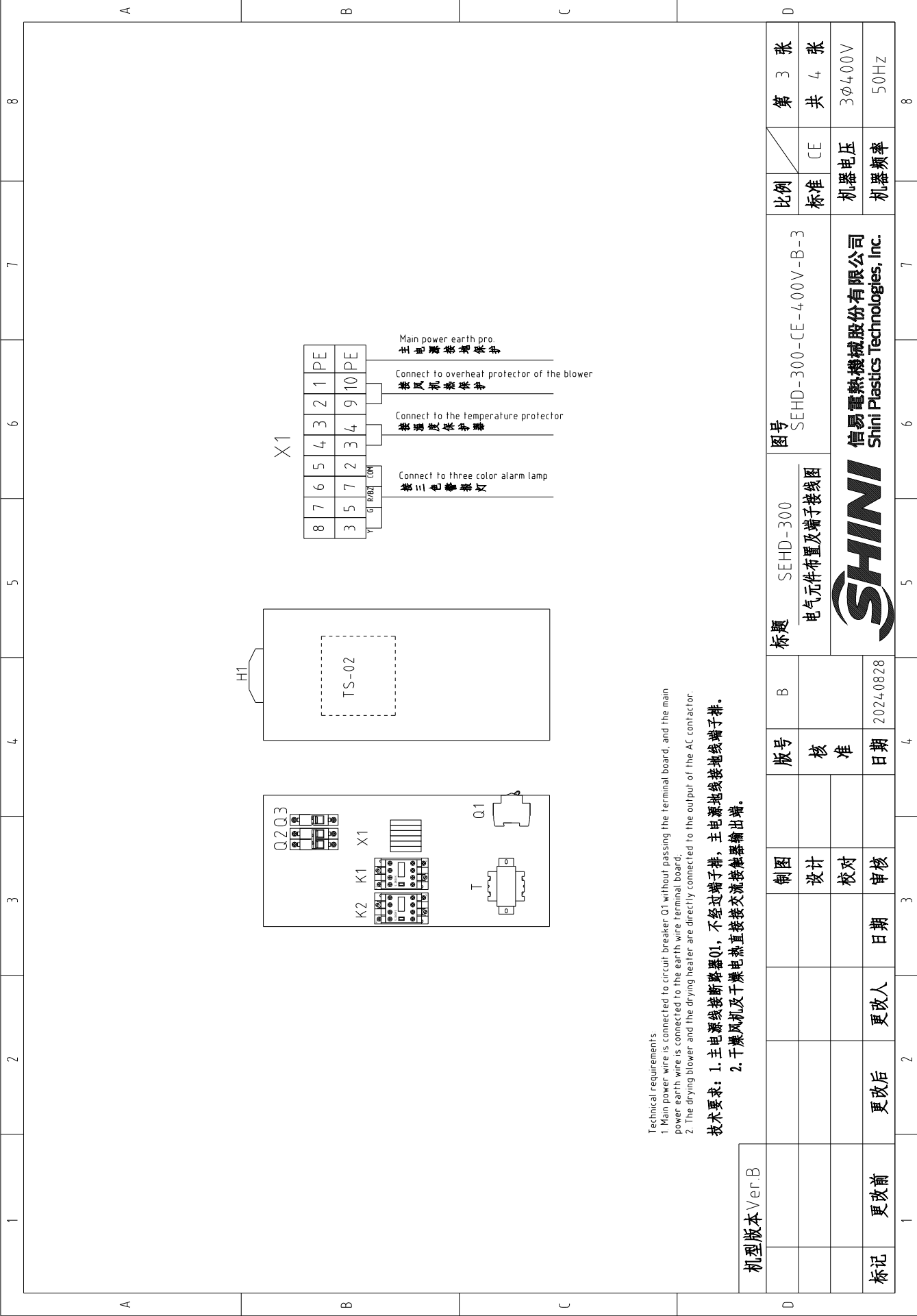


机型版本 Ver.B
Note: M1 is overheat protector of the drying blower.
注: M1为干燥风机自带过热保护器

比例	第 2 张	标准	CE
	共 4 张		机器电压 3φ400V
标题	SEHD-300-CE-4.00V-B-2 控制电路图		
版号	B	核 准	日期 2024.08.28
制图	设计	校对	审核
制图	设计	校对	审核
更改后	更改人	日期	
更改前			



信易电热机械股份有限公司
Shini Plastics Technologies, Inc.



Technical requirements:
 1. Main power wire is connected to circuit breaker Q1 without passing the terminal board, and the main power earth wire is connected to the earth wire terminal board.
 2. The drying blower and the drying heater are directly connected to the output of the AC contactor.

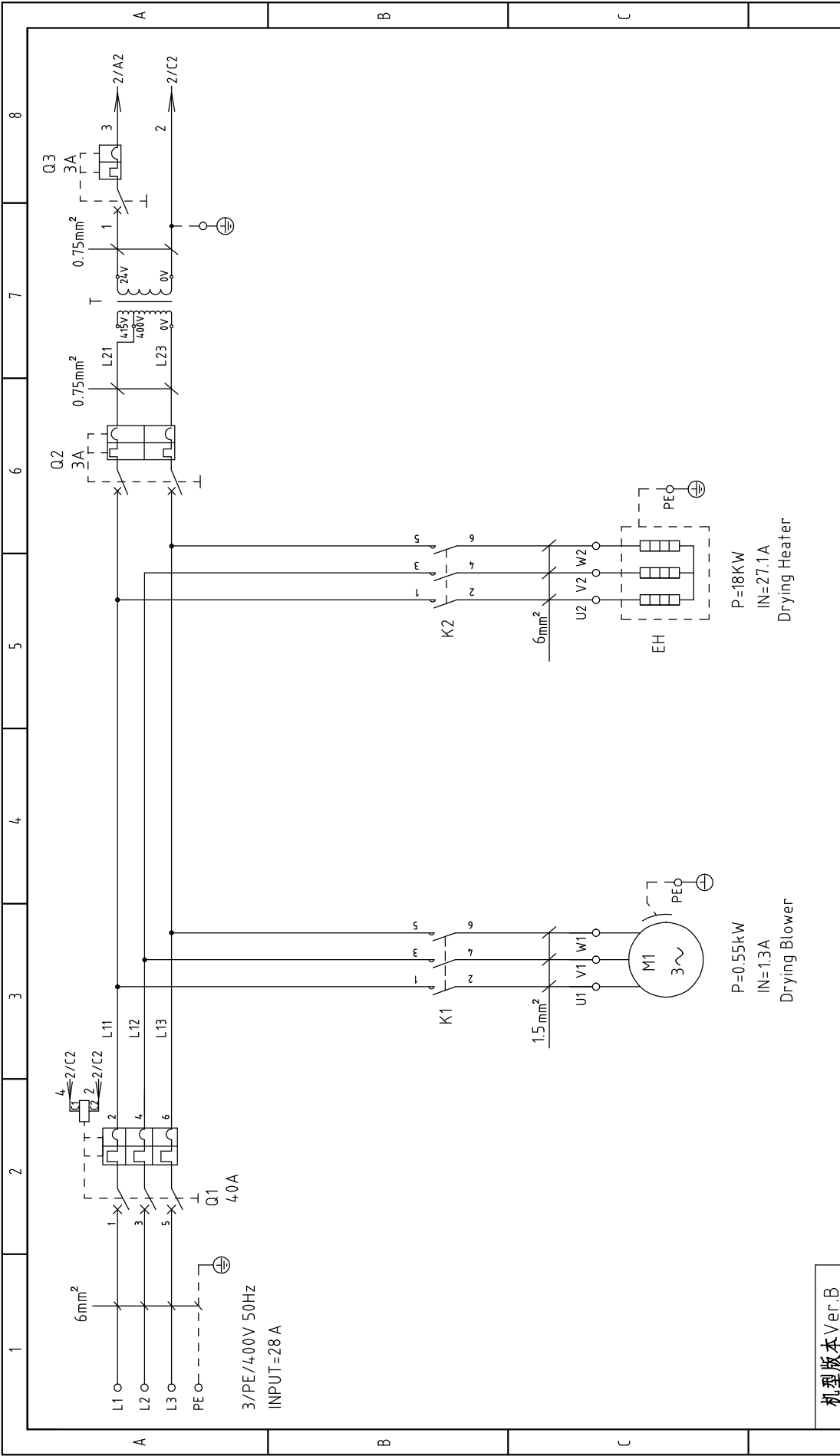
技术要求：
 1. 主电源线接断路器Q1，不经过端子排，主电源地线接地端子排。
 2. 干燥风机及干燥电热直接交流接触器输出端。

机型版本	Ver.B	图号		SEHD-300-CE-4.00V-B-3		比例	第 3 张
		标题		SEHD-300		标准	共 4 张
		电气元件布置及端子接线图				机器电压	3φ400V
		SHINI		信易电热机械股份有限公司		机器频率	50Hz
标记	更改前	更改后	更改人	日期	2024.08.28		
				制图			
				设计			
				校对			
				审核			
				版号			
				核 准			
				日期			
				版 号			
				制 图			
				版 号			
				核 准			
				日 期			
				日 期			
				更 改 人			
				更 改 后			
				更 改 前			

1		2		3		4		5		6		7		8	
序号/NO	符号/Symbol	名称/Name	制造商/Manufacturer	型号/Type	规格/Specification	单位/unit	数量/Number	物料编号/Material number	备注/Remark						
1	Q1	断路器/Circuit-breaker	TECO	BM-63C/3025S	25A 3P	PCS	1	YE40302503000							
2		励磁脱扣器/Excitation release	---	MX	24V 50/60Hz	PCS	1	YE40024000000							
3	Q3	断路器/Circuit-breaker	TECO	BM-63C/2003S	3A 2P	PCS	1	YE40200203000							
4	Q2	断路器/Circuit-breaker	TECO	BM-63C/1003S	3A 1P	PCS	1	YE40100203000							
5	K1	接触器/Contactor	SIEMENS	3RT6015-1AB01	24V 7A 50/60Hz 1N0	PCS	1	YE00601502500							
6	K2	接触器/Contactor	SIEMENS	3RT6026-1AC20	24V 25A 50/60Hz	PCS	1	YE00602602600							
7	T	变压器/Transformer	JIUXIN	IN=400V/4.15V OUT=24V	80VA	PCS	1	YE40100203000							
8	PCB	干燥机控制器/PCB	PUNP	IS-0202V1(控制板 包括通讯线接口)	24V 50/60Hz	PCS	1	YE80022405200							
9	S3	材料控制(继电器控制) Communication interface control board (with 4pin connector)	---	---	---	PCS	1	YE90048501200							
10		外壳BS485(SIL-7000-4-19)板 Shell BS485(SIL-7000-4-19)0	---	---	---	PCS	1	YR40048500000							
11	X1	弹簧接线端子(SIL-7000-4-19)板 Spring wiring terminal SZ2.5(Honeywell)	Honeywell	SK2.5	2.5mm ²	PCS	8	BL90002401520							
12		接地端子(SIL-820)接地端子(Grounding terminal SZ2.5(Honeywell))	Honeywell	GK2.5PE	2.5mm ² PE	PCS	1	YE600000003900							
13		终端附件(SIL-820)系列(继电器系列) Terminal fittings SZ series (Honeywell)	Honeywell	---	GK系列 GK series	PCS	4	YE51150400050							
14	H1	三色警报灯/Three color alarm light	SHINI	红绿蓝三色-蜂鸣器-蜂鸣器-蜂鸣器 Red, green, blue, yellow, green, yellow, buzzer	24V AC/DC	PCS	1	YE50015100000							
15	S1	温度保护器/Overheat protector	---	---	180°C		1	---	(1)						
16	S2	热电偶/Thermocouple	SHINI	KTYPE	---		1	---	(1)						
17	M1	风机/Blower	---	---	0.35kW 400V 50HZ		1	---	(1)						
18	EH	电热器/Heater	SHINI	---	9.6kW 400V		1	---	(1)						
C															
D															
机型版本 Ver.B		制图		版号		标题		图号		比例		第 4 张		8	
		设计		核 准		SEHD-300		SEHD-300-CE-400V-B-4		标准		共 4 张			
		校对		日期		电气元件明细表一				机器电压		3Φ400V			
标记 更改前		审核		日期		SHINI		信易电热机械股份有限公司 Shini Plastics Technologies, Inc.		机器频率		50Hz			
1		2		3		4		5		6		7		8	

Notes: (1)Means it's not the material inside the control box.

注: (1)表示非电控箱内材料

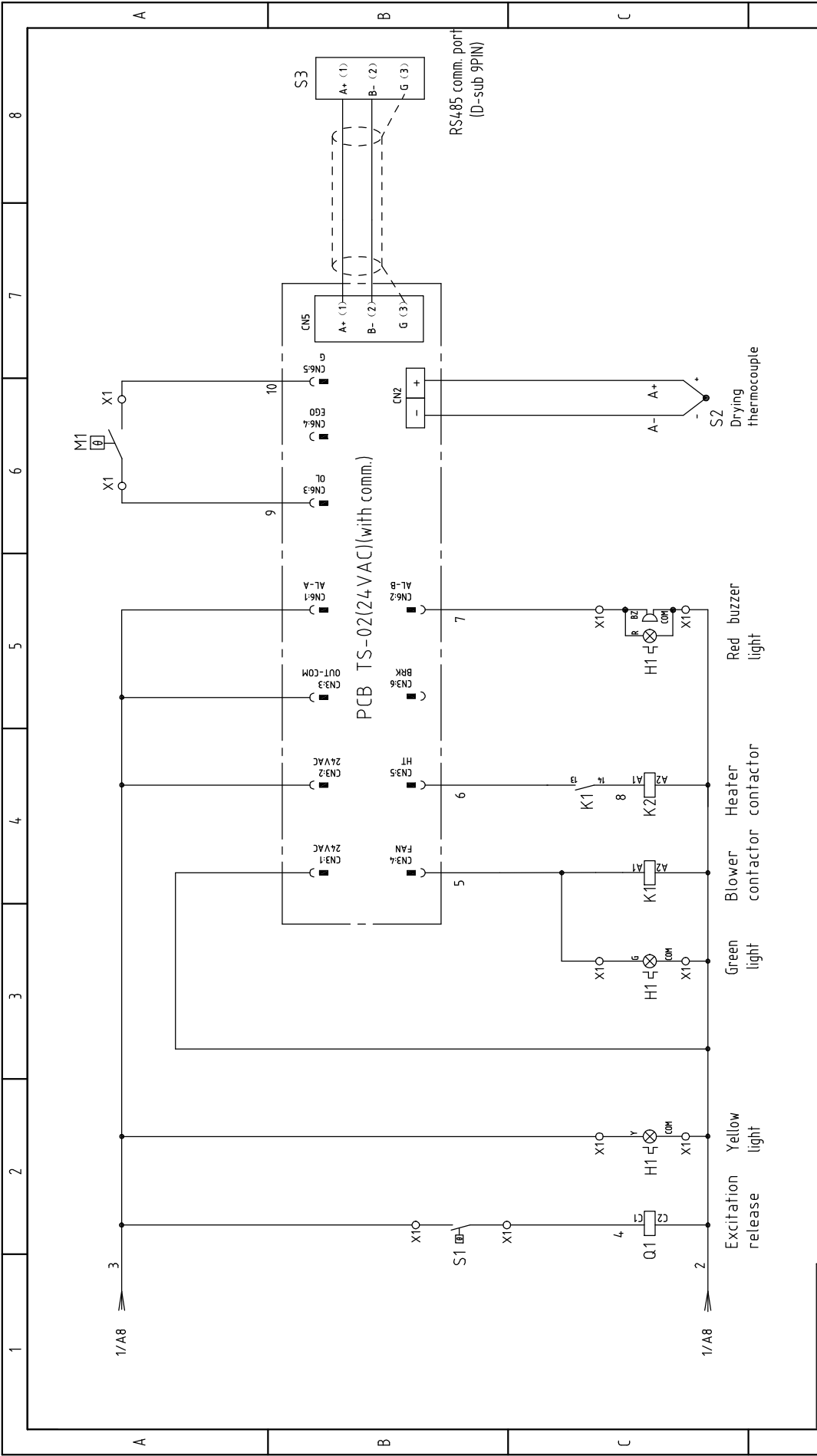


机 型 版 本 Ver.B	SEHD-400	SEHD-400-CE-400V-A-1	Page 1
	SEHD-400	SEHD-400-CE-400V-A-1	Totally 4
	SEHD-400	SEHD-400-CE-400V-A-1	Pages
	SEHD-400	SEHD-400-CE-400V-A-1	Frequency
	SEHD-400	SEHD-400-CE-400V-A-1	Voltage
	SEHD-400	SEHD-400-CE-400V-A-1	Frequency

信易電熱機械股份有限公司
 Shini Plastics Technologies, Inc.

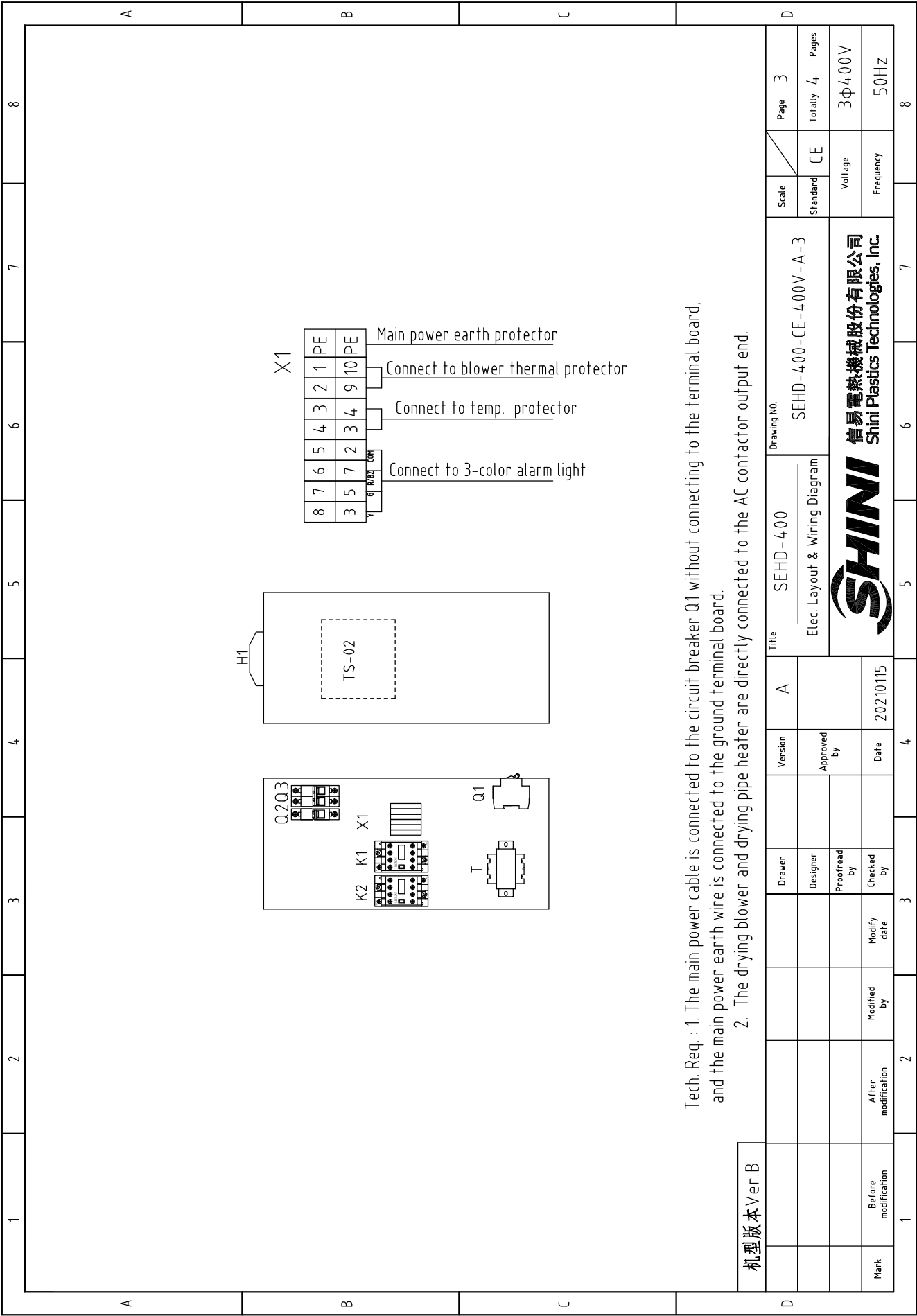
Mark	Before modification	Modified by	20210115
	After modification	Modify date	20210115
	Proofread by	Checked by	
	Designer	Approved by	
	Drawer	Version	A

机 型 版 本 Ver.B	SEHD-400	SEHD-400-CE-400V-A-1	Page 1
	SEHD-400	SEHD-400-CE-400V-A-1	Totally 4
	SEHD-400	SEHD-400-CE-400V-A-1	Pages
	SEHD-400	SEHD-400-CE-400V-A-1	Frequency
	SEHD-400	SEHD-400-CE-400V-A-1	Voltage
	SEHD-400	SEHD-400-CE-400V-A-1	Frequency



机 型 版 本 Ver. B	Note: M1 is the overheat protector of the drying blower.			
Mark	Before modification	After modification	Modify date	Date
				20210115
	Proofread by	Approved by		
	Designer			
	Drawer	Version	A	

Title		SEHD-400		Drawing NO.		SEHD-400-CE-400V-A-2	
Electrical Diagram				Scale		Page 2	
SHINI				Standard		CE	
信易電熱機械股份有限公司 Shini Plastics Technologies, Inc.				Voltage		3φ400V	
				Frequency		50HZ	
				Totally		4	
				Pages		8	



Tech. Req. : 1. The main power cable is connected to the circuit breaker Q1 without connecting to the terminal board, and the main power earth wire is connected to the ground terminal board.

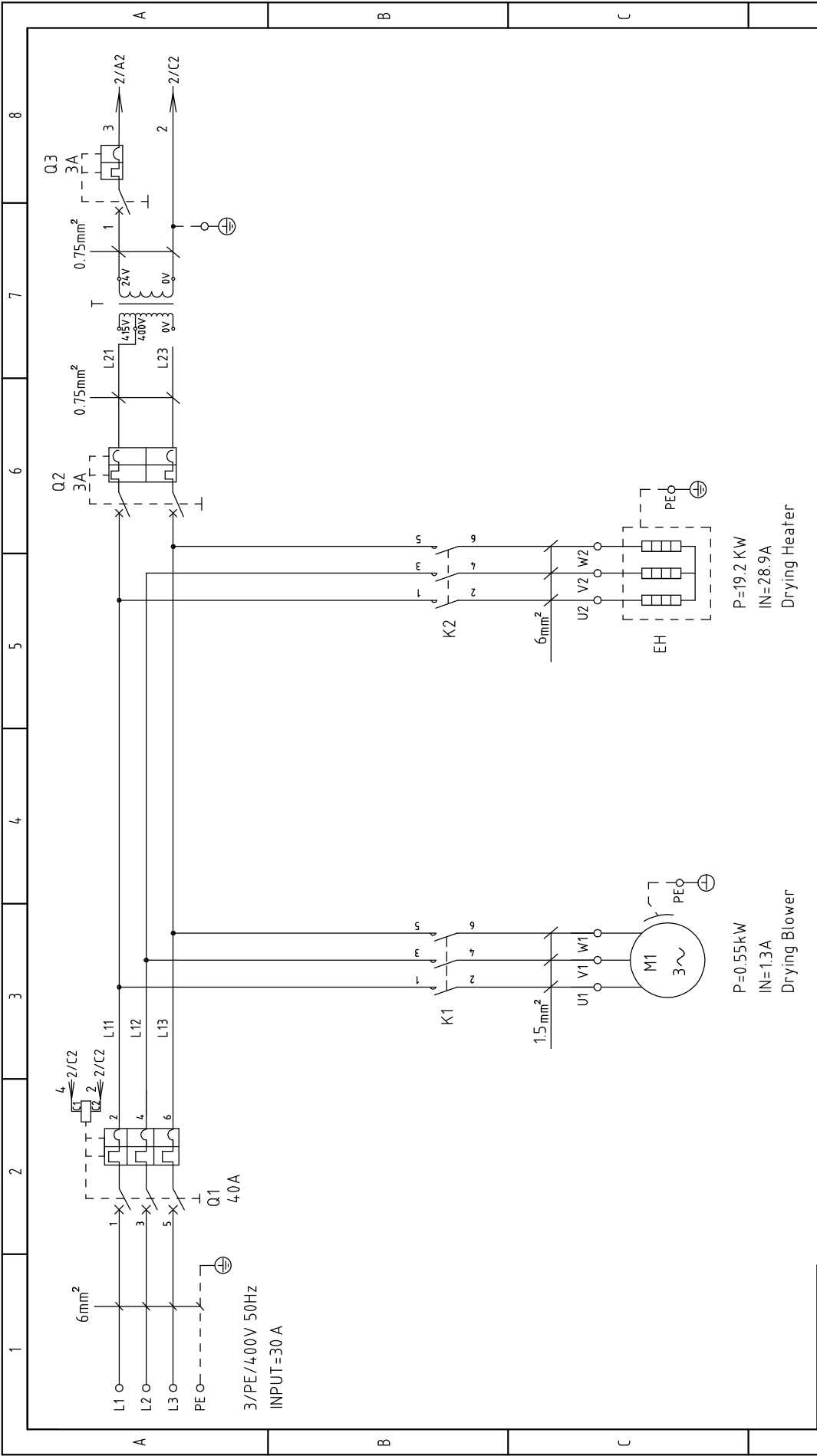
2. The drying blower and drying pipe heater are directly connected to the AC contactor output end.

机 型 版 本	Ver.B
Mark	Before modification
	After modification
	Modified by
	Modify date
	Checked by
	Proofread by
	Designer
	Drawer
	Version
	Approved by
	Date
	20210115

Title	SEHD-400	Scale	Page	3	
	SEHD-400-CE-400V-A-3		Standard	CE	Totally
Elec. Layout & Wiring Diagram		Drawing NO.	SEHD-400-CE-400V-A-3		
SHINI 信易電熱機械股份有限公司 Shini Plastics Technologies, Inc.			Voltage		3φ400V
		Frequency		50Hz	

1		2		3		4		5		6		7		8	
NO.	Symbol	Name	Manufacturer	Type	Specification	Number	Material number	Remark							
1	Q1	Circuit breaker	TECO	BM-63C/3040S	40A 3P	1	YE40304003000								
2		Excitation release	---	MX	24V 50/60Hz	1	YE40024000000								
3	Q2	Circuit breaker	TECO	BM-63C/2003S	3A 2P	1	YE40200203000								
4	Q3	Circuit breaker	TECO	BM-63C/1003S	3A 1P	1	YE40100203000								
5	K1	Contacto	SIEMENS	3RT6015-1AB01	24V 7A 50/60Hz 1NO	1	YE00601502500								
6	K2	Contacto	SIEMENS	3RT6028-1AB01	24V 38A 50/60Hz	1	YE00602802600								
7	T	Transformer	JIUXIN	IN=400V/415V OUT=24V	80VA	1	YE70040006500								
8	PCB	Dryer controller/PCB	PUNP	TS-02124VAC(with comm.)	24V 50/60Hz	1	YE80022405200								
9	S1	温度保护器/Overheat protector	EGO	---	115-320 °C	1	BH90115000150	Cancel							
10	S1	Overheat protector	---	---	180°C	1	---	Increase(1)							
11	S2	Thermocouple	SHINI	KTYPE	---	1	---	(1)							
12	S3	Comm. interface board RS-485(Dsub-9pin connector)	---	---	---	1	YE90048501200								
13		Shell RS485(SAL-700G-A-19)ver. 0	---	---	---	1	YR40048500000								
14	M1	Blower	---	---	0.55kW 4.00V 50HZ	1	---	(1)							
15	EH	Heater	SHINI	---	18kW 4.00V	1	---	(1)							
16	X1	Spring wiring terminal SK2.5(Honeywell)	Honeywell	SK2.5	2.5mm ²	2-8	YE60002503200	Revised							
17		Earth terminal SK2.5(Honeywell)	Honeywell	GK6PE	6mm ² PE	1	YE60002503500								
18		Terminal fittings E/GK series (Honeywell)	Honeywell	---	GK series	4	YE60000003900								
19	H1	3-color alarm lamp	SHINI	Red. yel. green.+ buzzer	24V AC/DC	1	BL90002401520	Increase							
机型号本 Ver.B Notes: (1)Materials in the control box;															
D		Scale		Drawing NO.		Page		4							
		Standard		SEHD-400		CE		SEHD-400-CE-400V-A-4							
		Voltage		Electrical parts List 1		Totally		4							
		Frequency		SHINI		3Φ400V		50HZ							
Mark		Before modification		After modification		Modified by		Date		20210115					
1		2		3		4		5		6		7		8	

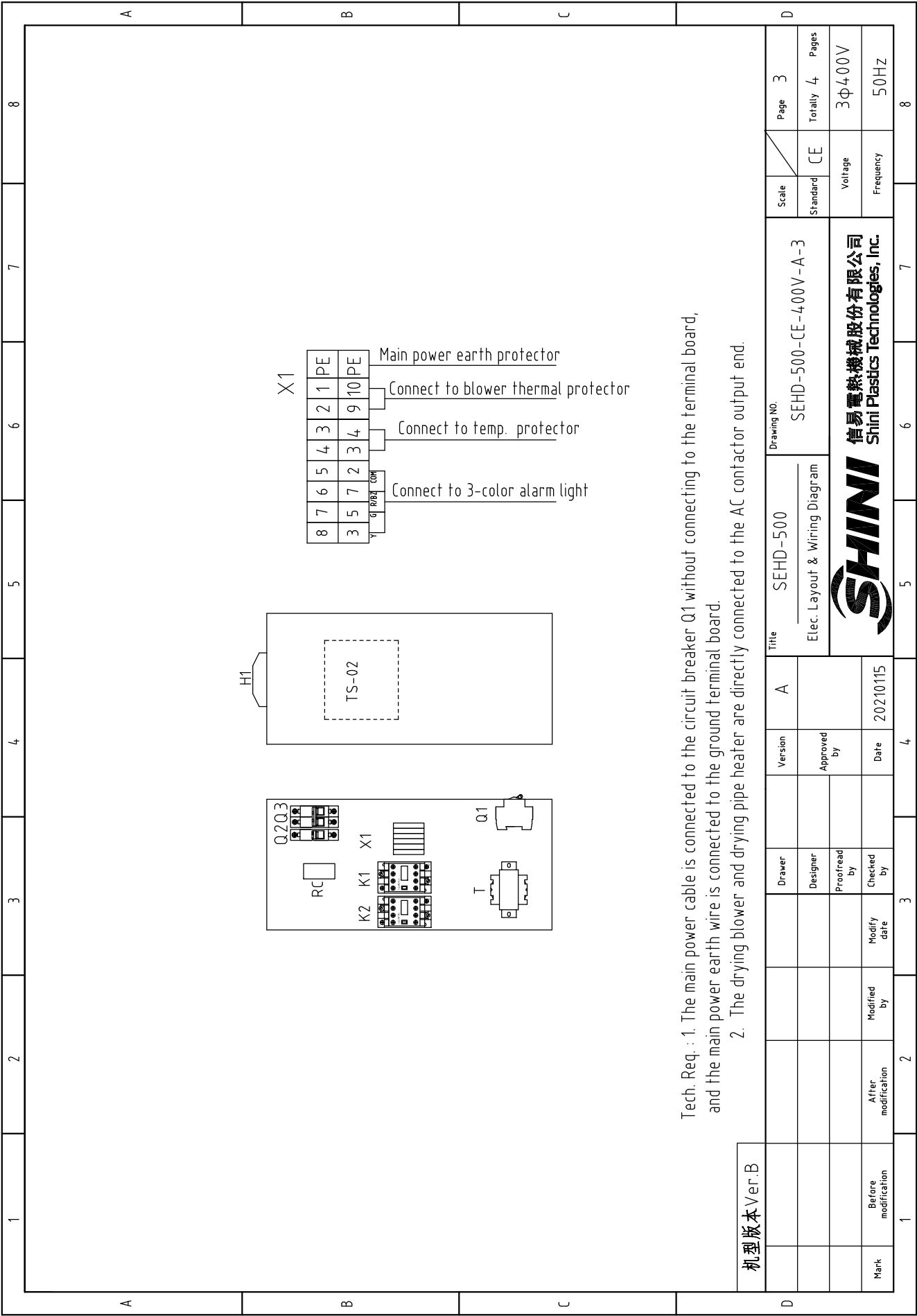




机版本 Ver.B

Drawer	Version	Title	Drawing NO.	Scale	Page
Designer	Approved by	SEHD-500	SHD-500-CE-400V-A-1	Standard	1
Proofread by	Date	Main Circuit Diagram		CE	Totally 4
Checked by	20210115			Voltage	3φ400V
Modified by				Frequency	50Hz
Mark					


信易電熱機械股份有限公司
 Shini Plastics Technologies, Inc.



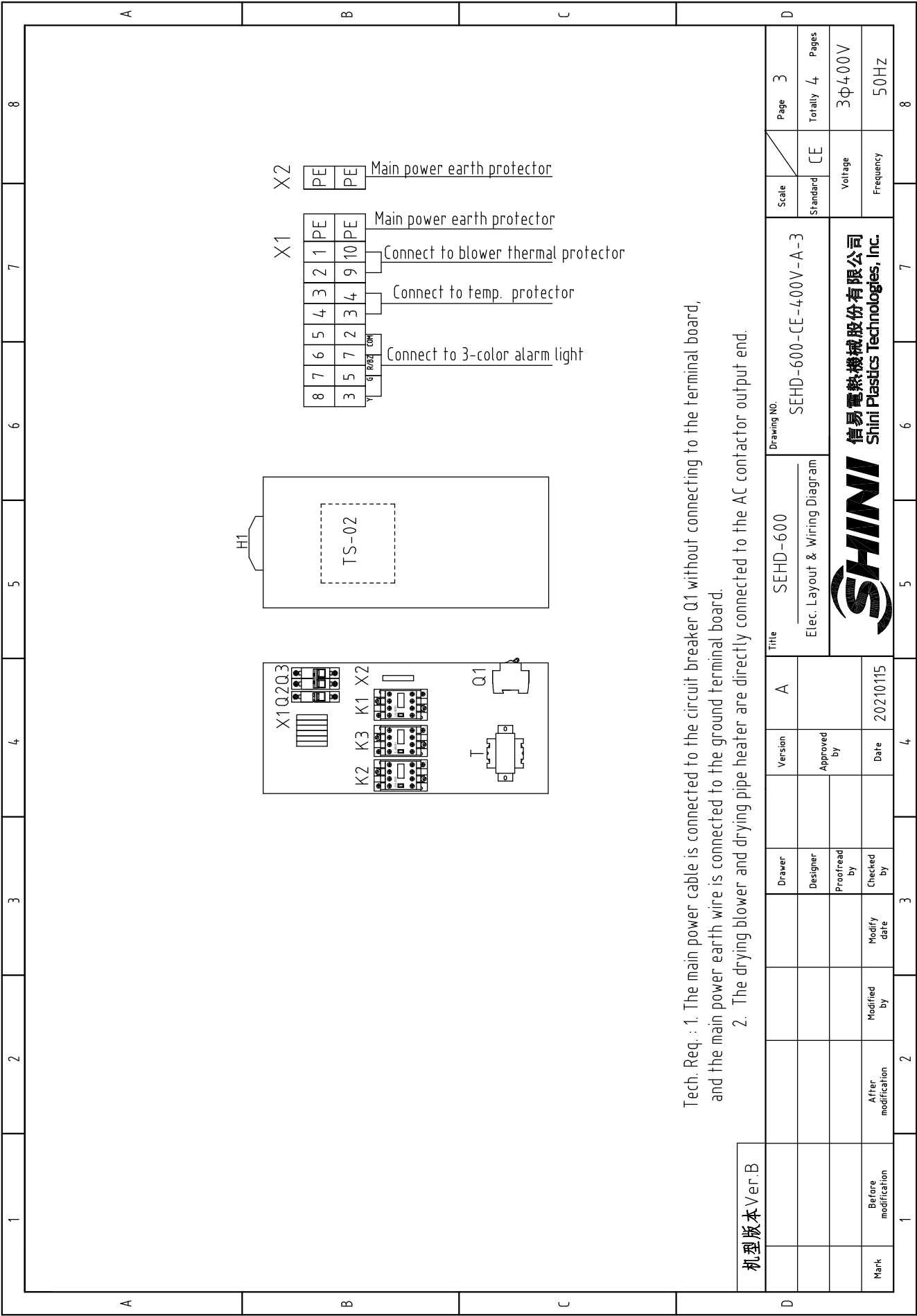
Tech. Req. : 1. The main power cable is connected to the circuit breaker Q1 without connecting to the terminal board, and the main power earth wire is connected to the ground terminal board.
 2. The drying blower and drying pipe heater are directly connected to the AC contactor output end.

机 型 版 本	Ver.B
Mark	Before modification
	After modification
	Modified by
	Modify date
	Checked by
	Proofread by
	Designer
	Drawer
	Version
	Approved by
	Date

Title	SEHD-500	Drawing NO.	SEHD-500-CE-400V-A-3	Scale	Page	3
	Elec. Layout & Wiring Diagram		Standard		Totally	4
SHINI		信易電熱機械股份有限公司 Shini Plastics Technologies, Inc.		Veitrage	3φ400V	
				Frequency	50HZ	

1		2		3		4		5		6		7		8	
NO.	Symbol	Name	Manufacturer	Type	Specification	Number	Material number	Remark							
1	Q1	Circuit-breaker	TECO	BM-63C/3040S	40A 3P	1	YE40304003000								
2		Excitation release	---	MX	24V 50/60Hz	1	YE40024000000								
3	Q2	Circuit breaker	TECO	BM-63C/2003S	3A 2P	1	YE40200203000								
4	Q3	Circuit breaker	TECO	BM-63C/1003S	3A 1P	1	YE40100203000								
5	K1	Contacto	SIEMENS	3RT6015-1AB01	24V 7A 50/60Hz 1NO	1	YE00601502500								
6	K2	Contacto	SIEMENS	3RT5035-1AC20	24V 40A 50/60Hz	1	YE00503502600								
7	T	Transformer	JIUXIN	IN=400V/415V OUT=24V	80VA	1	YE70040006500								
8	PCB	Dryer controller/PCB	PUNP	TS-02(24VAC)(with comm.)	24V 50/60Hz	1	YE80022405200								
9	S1	温度保护器/Overheat protector	EGO	---	115-320 °C	1	BH90115000150	Cancel							
10	S1	Overheat protector	---	---	180°C	1	---	Increase(1)							
11	S2	Thermocouple	SHINI	KTYPE	---	1	---	(1)							
12	S3	Comm. interface board RS-485(Dsub-9pin connector)	---	---	---	1	YE90048501200								
13		Shell RS485(SAL-700G-A-19)ver. 0	---	---	---	1	YR40048500000								
14	M1	Blower	---	---	0.55kW 400V 50HZ	1	---	(1)							
15	EH	Heater	SHINI	---	19.2kW 400V	1	---	(1)							
16	X1	Spring wiring terminal SK2.5(Honeywell)	Honeywell	SK2.5	2.5mm ²	-2- 8	YE60002503200	Revised							
17		Earth terminal SK6(Honeywell)	Honeywell	GK6PE	6mm ² PE	1	YE60000603500								
18	RC	Resistance capacitance absorber	YUYUN	SA-RCS2	PCS	1	YE90000200000								
19		Terminal fittings E/GK series (Honeywell)	Honeywell	---	GK series	4	YE60000003900								
20	H1	3-color alarm lamp	SHINI	Red. yel. green.+ buzzer	24V AC/DC	1	BL90002401520	Increase							
机 型 版 本 Ver.B															
Notes: (1)Materials in the control box;															
		Drawer		Version		Title		Drawing NO.		Scale		Page		4	
		Designer		Approved by		SEHD-500		SEHD-500-CE-400V-A-4		Standard		CE		Totally 4	
		Proofread by		Date		Electrical parts List 1				Voltage		3φ400V			
Mark		After modification		Modify date		20210115				Frequency		50HZ			
1		2		3		4		5		6		7		8	





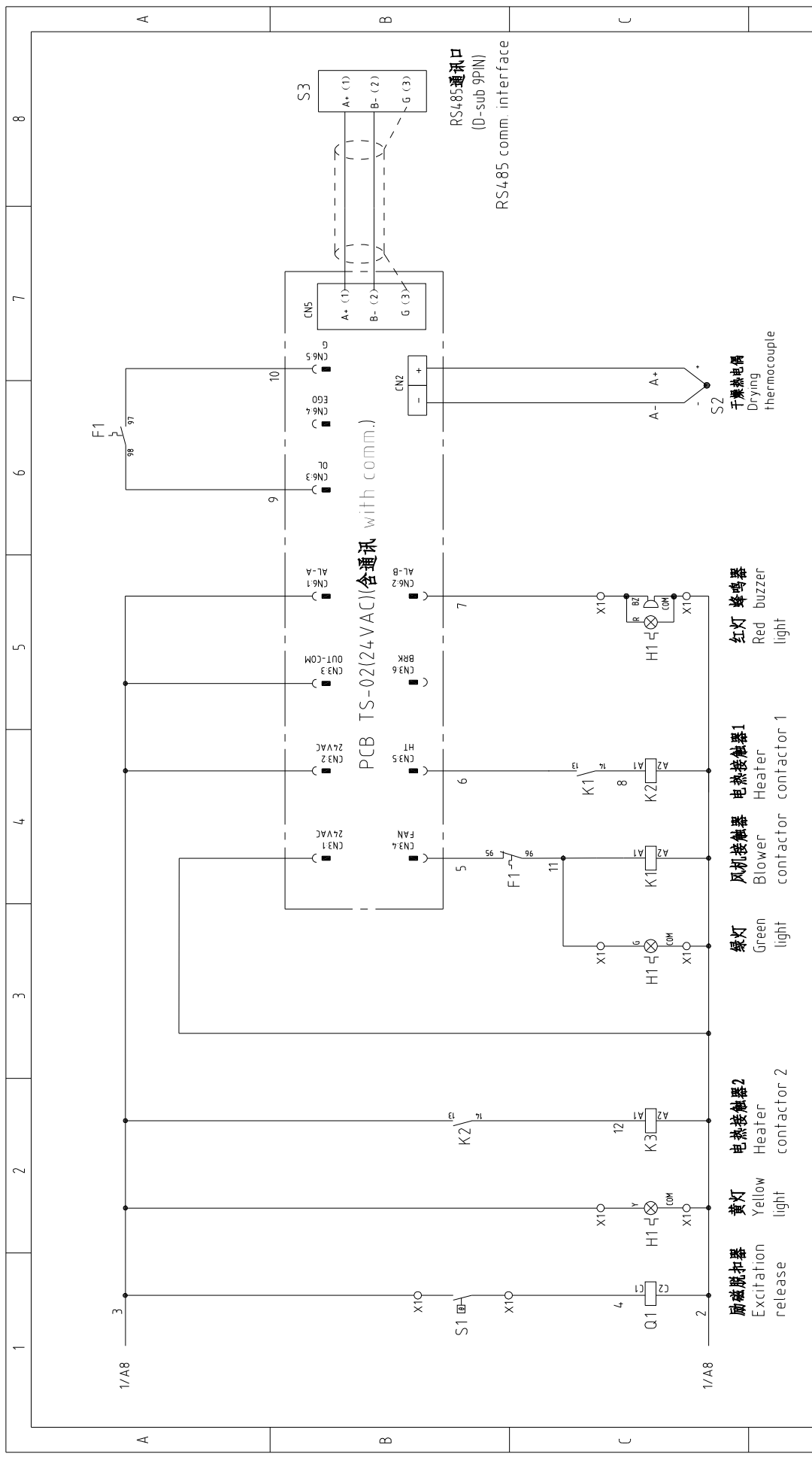
Tech. Req. : 1. The main power cable is connected to the circuit breaker Q1 without connecting to the terminal board, and the main power earth wire is connected to the ground terminal board.
 2. The drying blower and drying pipe heater are directly connected to the AC contactor output end.

机 型 版 本	Ver.B
Mark	Before modification
	After modification
	Modified by
	Modify date
	Checked by
	Proofread by
	Approved by
	Date
	20210115

Version	A	Scale	3
Drawer		Standard	CE
Designer		Veitrage	3φ400V
Proofread by		Frequency	50Hz
Approved by		Drawing NO. SEHD-600-CE-4.00V-A-3	
Date	20210115	Title SEHD-600 Elec. Layout & Wiring Diagram	
Modified by		SHINI 信易電熱機械股份有限公司 Shini Plastics Technologies, Inc.	
Modify date		Page 3	
Checked by		Totally 4 Pages	
Proofread by		8	

1		2		3		4		5		6		7		8	
NO.	Symbol	Name	Manufacturer	Type	Specification	Number	Material number	Remark							
1	Q1	Circuit breaker	TECO	BM-100D/3050S	50A 3P	1	YE4.0305003000								
2		Excitation release	----	MX	24V 50/60Hz	1	YE4.0024.000000								
3	Q2	Circuit breaker	TECO	BM-63C/2003S	3A 2P	1	YE4.0200203000								
4	Q3	Circuit breaker	TECO	BM-63C/1003S	3A 1P	1	YE4.0100203000								
5	K1	Contact	SIEMENS	3RT6015-1AB01	24V 7A 50/60Hz 1NO	1	YE00601502500								
6	K2 K3	Contact	SIEMENS	3RT6026-1AC20-24VAC	24V 25A 50/60Hz	2	YE00602602600								
7	T	Transformer	JIUXIN	IN=400V/415V OUT=24V	80VA	1	YE7004.0006500								
8	PCB	Dryer controller/PCB	PUMP	TS-02(24VAC)(with comm.)	24V 50/60Hz	1	YE800224.05200								
9	S1	温度保护器/Overheat protector	EGO	---	115-320 °C	1	BH90115000150	Cancel							
10	S1	Overheat protector	----	----	180°C	1	----	Increase(1)							
11	S2	Thermocouple	SHINI	KTYPE	----	1	----	(1)							
12	S3	Comm. interface board RS-485(Dsub-9pin connector)	----	----	----	1	YE9004.8501200								
13		Shell RS485(SAL-700G-A-19)ver. 0	----	----	----	1	YR4.004.8500000								
14	M1	Blower	----	----	0.55kW 4.00V 50HZ	1	----	(1)							
15	EH1	Heater	SHINI	----	21kW 4.00V	1	----	(1)							
16	X1	Spring wiring terminal SK2.5(Honeywell)	Honeywell	SK2.5	2.5mm ²	-2 8	YE60002503200	Revised							
17		Earth terminal GK6(Honeywell)	Honeywell	GK6PE	6mm ² PE	1	YE60000603500								
18		Terminal fittings E/GK series (Honeywell)	Honeywell	----	GK series	4	YE60000003900								
19	H1	3-color alarm lamp	SHINI	Red. yel. green.+ buzzer	24V AC/DC	1	BL900024.01520	Increase							
机 型 版 本 Ver. B															
Notes: (1)Materials in the control box;															
D		Drawing NO.		SEHD-600		SHD-600-CE-400V-A-4		Scale		Page 4		Page 4		8	
		Version		Electrical parts List 1		CE		Standard		Totally 4		Pages		4	
		Approved by		SHINI		Voltage		3φ400V		Frequency		50HZ			
Mark		Before modification		Date		20210115		Frequency		50HZ					





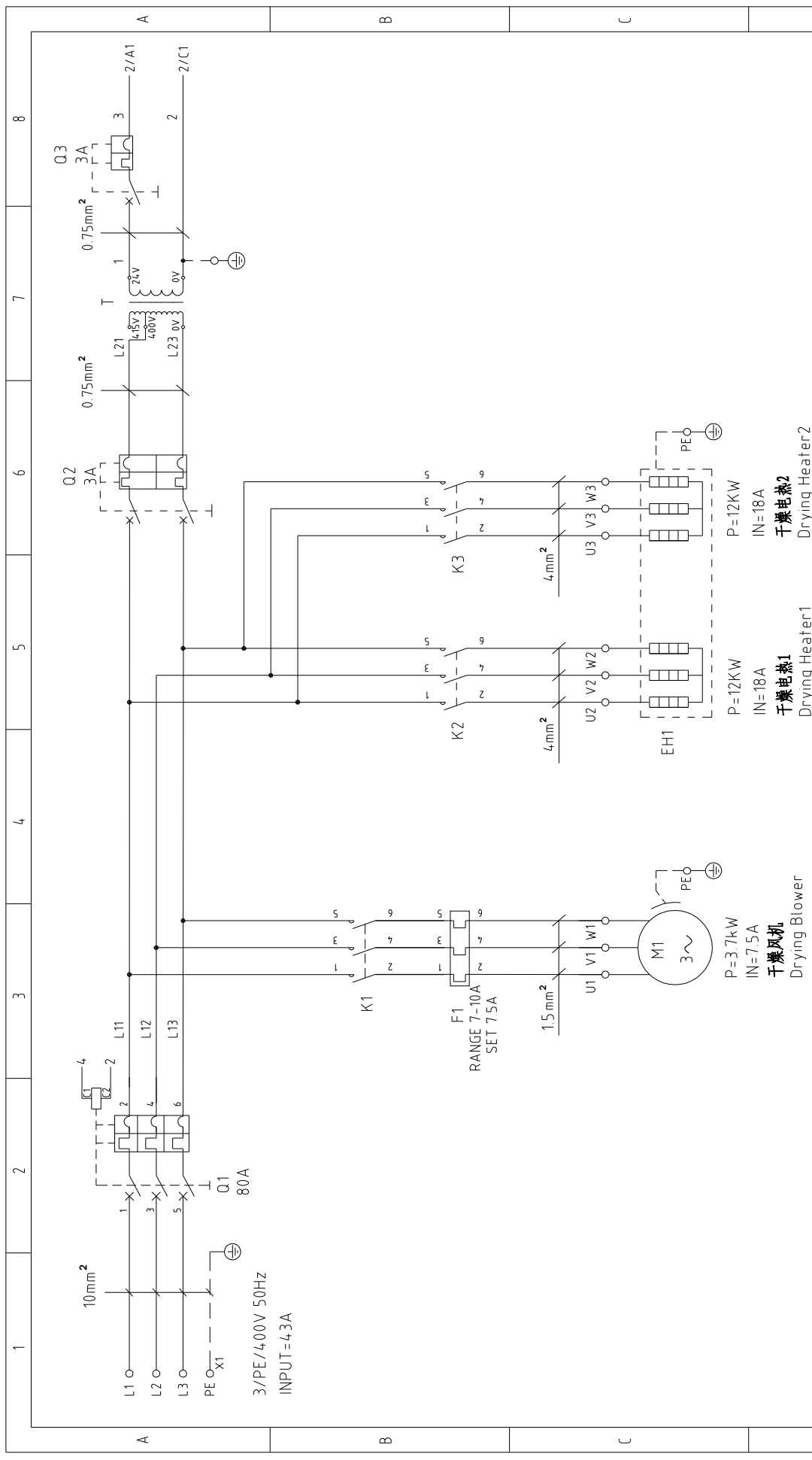
机型版本 Ver.D	注: M1为干燥风机自带过热保护器 Notes: M1 is the overheat protector of drying blower.			图号 SEHD-800-CE-4.00V-B-2	比例 CE	第 2 张	共 5 张
标题 SEHD-800 控制电路图	版号 B	核准	日期 20230831	SHINI 信易电热机械股份有限公司 Shini Plastics Technologies, Inc.			
制图	设计	校对	审核	日期	更改人	更改后	更改前
红 灯 Red light	风机接触器 Blower contactor	电 热 接 触 器 Heater contactor	电 热 接 触 器 Heater contactor	风 机 接 触 器 Blower contactor	电 热 接 触 器 Heater contactor	电 热 接 触 器 Heater contactor	电 热 接 触 器 Heater contactor
红 灯 蜂 鸣 器 Red buzzer	风 机 接 触 器 Blower contactor	电 热 接 触 器 Heater contactor	电 热 接 触 器 Heater contactor	风 机 接 触 器 Blower contactor	电 热 接 触 器 Heater contactor	电 热 接 触 器 Heater contactor	电 热 接 触 器 Heater contactor
干 热 热 偶 Drying thermocouple	风 机 接 触 器 Blower contactor	电 热 接 触 器 Heater contactor	电 热 接 触 器 Heater contactor	风 机 接 触 器 Blower contactor	电 热 接 触 器 Heater contactor	电 热 接 触 器 Heater contactor	电 热 接 触 器 Heater contactor
励磁脱扣器 Excitation release	黄 灯 Yellow light	电 热 接 触 器 Heater contactor	电 热 接 触 器 Heater contactor	风 机 接 触 器 Blower contactor	电 热 接 触 器 Heater contactor	电 热 接 触 器 Heater contactor	电 热 接 触 器 Heater contactor
绿 灯 Green light	黄 灯 Yellow light	电 热 接 触 器 Heater contactor	电 热 接 触 器 Heater contactor	风 机 接 触 器 Blower contactor	电 热 接 触 器 Heater contactor	电 热 接 触 器 Heater contactor	电 热 接 触 器 Heater contactor
红 灯 Red light	黄 灯 Yellow light	电 热 接 触 器 Heater contactor	电 热 接 触 器 Heater contactor	风 机 接 触 器 Blower contactor	电 热 接 触 器 Heater contactor	电 热 接 触 器 Heater contactor	电 热 接 触 器 Heater contactor

1	2	3	4	5	6	7	8		
序号/NO	符号/Symbol	名称/Name	制造商/Manufacturer	型号/Type	规格/Specification	单位/unit	数量/Number	物料编号/Material number	备注/Remark
1	Q1	断路器/Circuit-breaker	TECO	BM-100D/3080S	80A 3P	PCS	1	YE40308003000	
2		励磁脱扣器/Excitation release	---	MX	24V 50/60Hz	PCS	1	YE40024000000	
3	Q2	断路器/Circuit-breaker	TECO	BM-63C/2003S	3A	PCS	1	YE40200203000	A
4	Q3	断路器/Circuit-breaker	TECO	BM-63C/1003S	3A	PCS	1	YE40100203000	
5	K1	接触器/Contactor	SIEMENS	3RT6017-1AB01	24V 50/60Hz	PCS	1	YE00601702500	
6	K2 K3	接触器/Contactor	SIEMENS	3RT6026-1AC20	24V 50/60Hz	PCS	2	YE00602602600	
7	F1	热过载继电器/Overload relay	SIEMENS	3RU6116-1JB0	7-10A	PCS	1	YE01167100000	
8	T	变压器/Transformer	JIUXIN	IN=400V/415V OUT=24V	80VA	PCS	1	YE70040006500	
9	A1	干燥剂控制器/Dryer controller	YUYUN	TS-00PZ4VAC(标配和标配with comm.) Bump	24V 50/60Hz	PCS	1	YE80022405200	
10	S3	接触器/Contactor (Communication interface lead for comm.) Bump	---	---	---	PCS	1	YE90048501200	
11		外壳RS485(SNL-700G-A-19)0版 Shell RS485(SNL-700G-A-19)0	---	---	---	PCS	1	YR40048500000	B
12	X1	弹簧接线端子SA(霍尼韦尔) Spring wiring terminal SA(honeywell)	HONEYWELL	SK2.5	2.5mm ²	PCS	6	YE60002503200	
13		接地端子GS(霍尼韦尔) Grounding terminal GS(honeywell)	HONEYWELL	GK10PE	10.0mm ²	PCS	1	YE60001003500	
14		聚酰胺材料绝缘附件(霍尼韦尔) Terminal fittings PA series (honeywell)	HONEYWELL	---	---	PCS	2	YE60000003900	
15	H1	三色警报灯/Three color alarm light	SHINI	红绿蓝绿黄绿黄绿黄绿 yellow, green lights, buzzer	24V AC/DC	PCS	1	BL90002401520	
15	S1	温度保护器/Overheat protector	---	---	180°C	----	1	----	(1)
16	S2	热电偶/Thermocouple	SHINI	K Type	----	----	1	----	(1)
17	M1	风机/Blower	SHINI	----	3.7kW 400V	----	1	----	(1)
18	EH1	电热器/Heater	SHINI	----	21kW 400V	----	1	----	(1)
C									
D									
机型版本 Ver.D			制图		标题		图号		第 5 张
			设计		SEHD-800		SEHD-800-CE-400V-B-5		共 5 张
			校对		电气元件明细表一		标准		CE
标记			更改后		更改人		比例		机器电压
更改前			日期		日期		机器频率		3φ400V
1			20230831		20230831		7		50Hz
			4		6		7		8

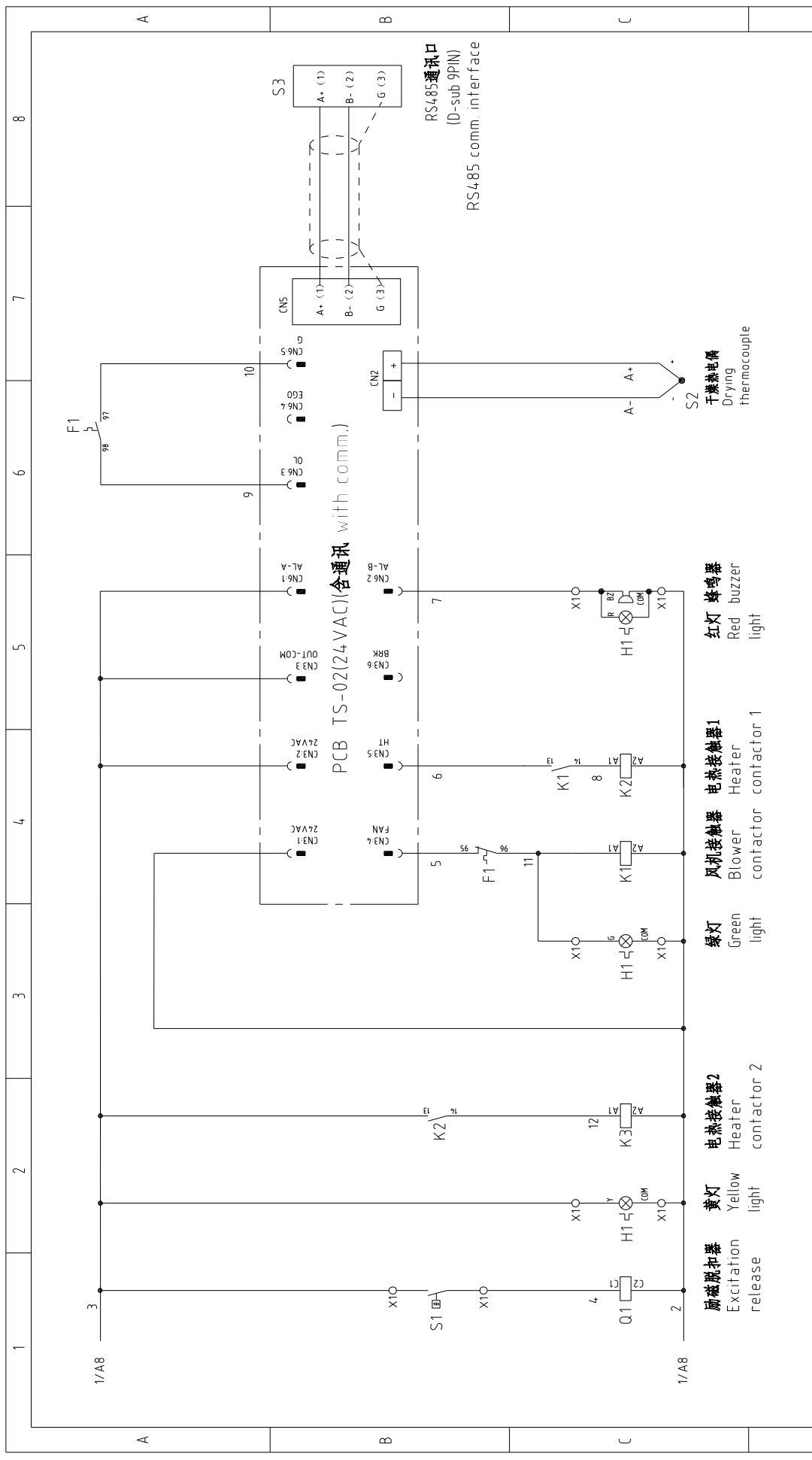
注: (1)表示非电控箱内材料。 Notes: (1)Means it's not the material inside the control box.



信易电热机械股份有限公司
Shini Plastics Technologies, Inc.



机型版本 Ver.D		图号 SEHD-1000-CE-4000V-B-1		比例 第 1 张	
主电路图		标准 CE		共 5 张	
标题 SEHD-1000		机器电压 3φ400V		机器频率 50Hz	
版号 核准		日期 20230925		SHINI 信易电热机械股份有限公司 Shini Plastics Technologies, Inc.	
制图 设计		日期		1	
校对		更改人		2	
审核		更改后		3	
日期		更改日期		4	
B		日期		5	
核准		日期		6	
日期		更改日期		7	
日期		更改日期		8	



机型版本 Ver.D	注: M1为干燥风机自带过热保护器 Notes: M1 is the overheat protector of drying blower.			图号 SEHD-1000-CE-400V-B-2	比例 CE	第 2 张	共 5 张
标题 SEHD-1000 控制电路图	版号 核 准	制图 设计	校对	审核	日期	20230925	3Φ400V 50Hz
标记 更改前	更改后	更改人	日期	日期	日期	日期	日期



信易电热机械股份有限公司
Shini Plastics Technologies, Inc.

1	2	3	4	5	6	7	8		
序号/NO	符号/Symbol	名称/Name	制造商/Manufacturer	型号/Type	规格/Specification	单位/unit	数量/Number	物料编号/Material number	备注/Remark
1	Q1	断路器/Circuit-breaker	TECO	BM-100D/3080S	80A 3P	PCS	1	YE40308003000	
2		励磁脱扣器/Excitation release	---	MX	24V 50/60Hz	PCS	1	YE40024000000	
3	Q2	断路器/Circuit-breaker	TECO	BM-63C/2003S	3A 2P	PCS	1	YE40200203000	A
4	Q3	断路器/Circuit-breaker	TECO	BM-63C/1003S	3A 1P	PCS	1	YE40100203000	
5	K1	接触器/Contactor	SIEMENS	3RT6017-1AB01	24V 50/60Hz	PCS	1	YE00601702500	
6	K2 K3	接触器/Contactor	SIEMENS	3RT6027-1AC20	24V 50/60Hz	PCS	2	YE00602702600	
7	T	变压器/Transformer	JIUXIN	IN=400V/4.15V OUT=24V	80VA	PCS	1	YE7004.0006500	
8	F1	热过载继电器/Overload relay	SIEMENS	3RU6116-1JB0	7-10A	PCS	1	YE01167100000	
9	A1	干燥机控制器/Dryer controller	YUYUN	TS-00PZ24VAC(本系列材料with comm) Bump	24V 50/60Hz	PCS	1	YE800224.05200	
10	S3	接触器/Contactor (Commission interface lead for 63 (able to be 400V))	---	---	---	PCS	1	YE9004.8501200	
11		外壳RS485 (SNL-700G-A-19)0版 Shell RS485 (SNL-700G-A-19)0	---	---	---	PCS	1	YR4-004.8500000	B
12	X1	弹簧接线端子SA (霍尼韦尔) Spring wiring terminal SA (honeywell)	HONEYWELL	SK2.5	2.5mm ²	PCS	6	YE60002503200	
13		接地端子GS (霍尼韦尔) Grounding terminal GS (honeywell)	HONEYWELL	GK10PE	10.0mm ²	PCS	1	YE60001003500	
14		接线端子系列 (霍尼韦尔) Terminal fittings E/G series (honeywell)	HONEYWELL	---	---	PCS	2	YE600000003900	
15	H1	三色警报灯/Three color alarm light	SHINI	红绿蓝绿黄绿红黄绿 yellow, green lights, buzzer	24V AC/DC	PCS	1	BL900024.01520	
15	S1	温度保护器/Overheat protector	---	---	180°C	----	1	----	(1)
16	S2	热电偶/Thermocouple	SHINI	K Typ	----	----	1	----	(1)
17	M1	风机/Blower	SHINI	----	3.7kW 400V	----	1	----	(1)
18	EH1	电热器/Heater	SHINI	----	21kW 400V	----	1	----	(1)
C									
D									
机型版本 Ver.D			制图	版号	B	图号 SEHD-1000-CE-400V-B-5		比例	第 5 张
			设计	核		SEHD-1000-CE-400V-B-5		标准	共 5 张
			校对	准		电气元件明细表一		机器电压	3φ400V
标记 更改前			日期	日期	20230925	信易电热机械股份有限公司 Shini Plastics Technologies, Inc.		机器频率	50Hz
1	2	3	4	5	6	7	8		

注: (1)表示非电控制箱内材料. Notes: (1)Means it's not the material inside the control box.

