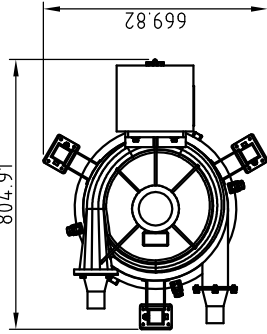
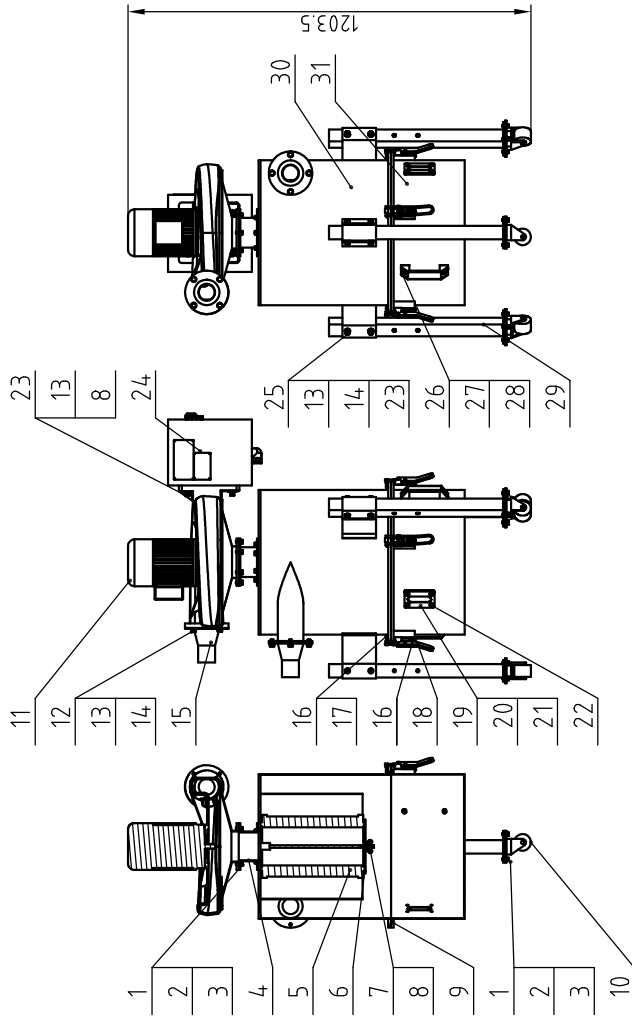


Version: Ver. A					
30	SDS-100-A-01	Filter barrel welding drawing	1		
29	SDS-100-A-04	Filter barrel welding drawing	3		
28	YW64000600200	Hex.nutM6(anti-loose)	4		
27	YW61061601200	Inner hex.cylinder head screw GB/T70.1 M6x16-12.9	4		
26	BW20012000040	Square aluminum door handle 120L/M6 hole/blk.	2		
25	YW61086500000	Inner hex.cylinder head screw GB/T70.1 M8x65-12.9	6		
24	SDS-100-C-ALL	Control box assembly	1		
23	YW64000800100	Non-metal insert hex.lock nut GB/T889.1 M8	10		
22	YW62051000100	Cross socket large flat head screw JIS1111 M5x10	4		
21	YR40001200100	Acryl four hole material PC(SHD-12-A-55)	1		
20	YR40000400000	Sight glass fastener 4 hole(SHD-12-A-54)	1		
19	BW09000030440	Electroplated Arc four hole iron sheet	1		
18	YW00121000400	Large handle (for SAL-20HP-UJ-D)	4		
17	SDS-500-C-03	Hook	4		
16	YW63061000000	Cross socket pan head screw GB/T-818 M6x10	16		
15	SDS-100-A-05	Blower air outlet flange	2		
14	YW66081600000	Flat washer grade A GB/T97.1(8.4x16x1.6)	20		
13	YW6500800100	Standard spring washer GB/T93 8	18		
12	YW60081600000	Hex. head bolt GB/T5783 M8x16-12.9	8		
11	BM30055001650	Blower 550W230/400V/50/60HZ(for SDS)	1		
10	YW03000300000	3"black PPR soft middle brake wheel width 32mm	3		
9	YR10010000200	Barrel fastener SHD-100(has mould)	1		
8	YW66082200100	Large washer grade C GB/T968(8.4x24x2)-longzine	5		
7	YW69051600000	Butterfly nut5/16"	1		
6	SDS-100-A-12	Filter lower cover	1		
5	YR50181100000	Filter-ADC2 fastener rubber (SMD-1000H-A-ALL-09)ver.0	1		
4	SDS-100-A-02	Adaptor flange	1		
3	YW66061300000	Flat washer grade A GB/T97.1 6	24		
2	YW65006000100	Standard spring washer GB/T93 6	24		
1	YW60061500100	Hex. head bolt GB/T5783 M6x12-12.9	24		
No.	Material number	Name	Mat.	Num.	Remarks
31	SDS-100-A-03	Dust collective barrel welding drawing	1	1	
Title		Drawing no.		Scale	
Filter Assembly		SDS-100-A-ALL		1:20	
Dra.		Desi.		Check	
App.		App.		App.	
Date		Date		Date	
Before Mod.		After Mod.		Mod. by	
Mark		Date		Date	



Tec. Req:  
 1.Remove the burr and sharp edge, and smooth the edge;  
 2.The non-marked tolerance should meet the GB/T1804-m standard;

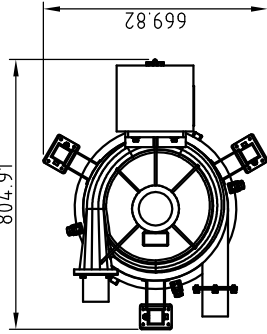
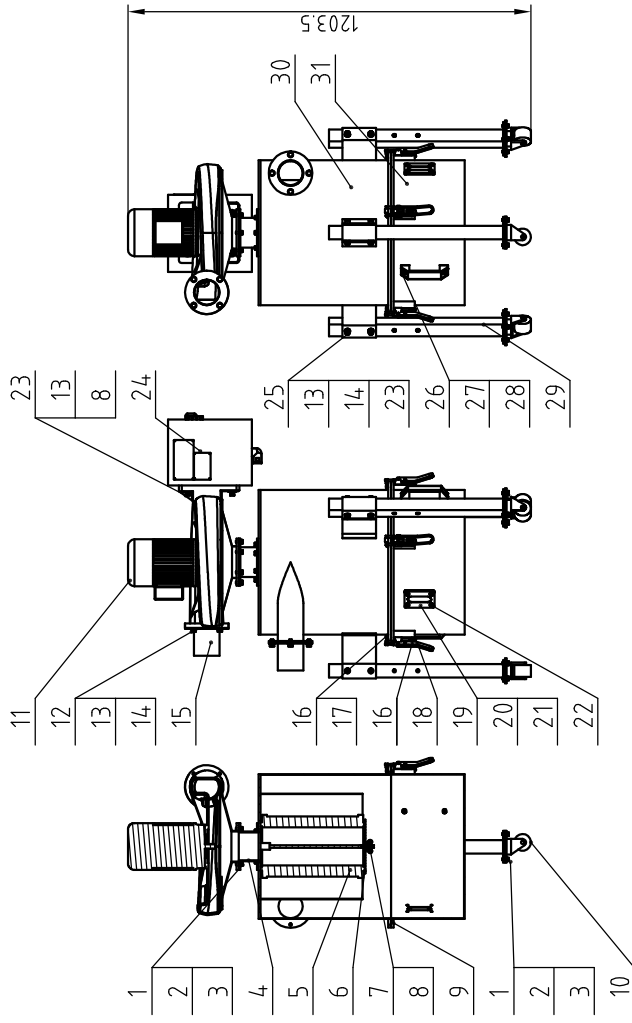


Surface req

Mat No.



Version: Ver.A				
30	SDS-100-A-01	Filter barrel welding drawing	1	borrowed
29	SDS-100-A-04	Floor stand	3	borrowed
28	YW64000600200	Hex. nut M6(anti-loose)	4	
27	YW61061601200	Inner hex.cylinder head screw GB/T70.1 M6x16-12.9	4	
26	BW20012000040	Square aluminum door handle 120L(M6 hole/bik.	2	
25	YW61086500000	Inner hex.cylinder head screw GB/T70.1 M8x65-12.9	6	
24	SDS-100-C-ALL	Control box assembly	1	borrowed
23	YW64000800100	Non-metal insert hex.lock nut GB/T889.1 M8	10	
22	YW62051000100	Cross socket large flat head screw JIS1111 M5x10	4	
21	YR40001200100	Acryl four hole mat. PC(SHD-12-A-55)	1	
20	YR40000400000	Sight glass fastener 4 hole(SHD-12-A-54)	1	
19	BW09000030440	Electroplated arc four hole iron sheet	1	
18	YW00121000400	Large handle (for SAL-20HP-UG-D)	4	
17	SDS-500-C-03	Hook	4	borrowed
16	YW63061000000	Cross socket pan head screw GB/T-818 M6x10	16	
15	SDS-250-A-05	Blower air outlet flange	2	
14	YW66081600000	Flat washer grade A GB/T97.1(8.4x16x1.6)	20	
13	YW65008000100	Standard spring washer GB/T93 8	18	
12	YW60081600000	Hex. head bolt GB/T5783 M8x16-12.9	8	
11	BM30055001650	Blower 550W/230/400V/50/60HZ(for SDS)	1	
10	YW03000300000	3"black PPR soft middle brake wheel width 32mm	3	
9	YR10010000200	Barrel fastener SHD-100(has mould)	1	
8	YW66082200100	Large washer grade C GB/T968(8.4x24x2)	5	
7	YW69051600000	Butterfly nuts/16"	1	
6	SDS-100-A-12	Filter lower cover	1	borrowed
5	YR50181100000	Filter ADC2 fastener rubber (SMD-1000H-A-ALL-09)ver.0	1	
4	SDS-100-A-02	Adaptor flange	1	borrowed
3	YW66061300000	Flat washer grade A GB/T97.1 6	24	
2	YW65006000100	Standard spring washer GB/T93 6	24	
1	YW60061500100	Hex. head bolt GB/T5783 M6x12-12.9	24	
31	SDS-100-A-03	Dust collective barrel welding drawing	1	borrow
Title		SDS-250	Drawing no.	
Filter Assembly		SDS-250-A-ALL		
Mark	Before Mod.	After Mod.	Date	20200724
			App.	
			Check	
			Desi.	
			Dra.	
			Ver.	
			App. by	
			Date	



Tec Req:  
 1.Remove the burr and sharp edge, and smooth the edge;  
 2.The non-marked tolerance should meet the GB/T1804-m standard;

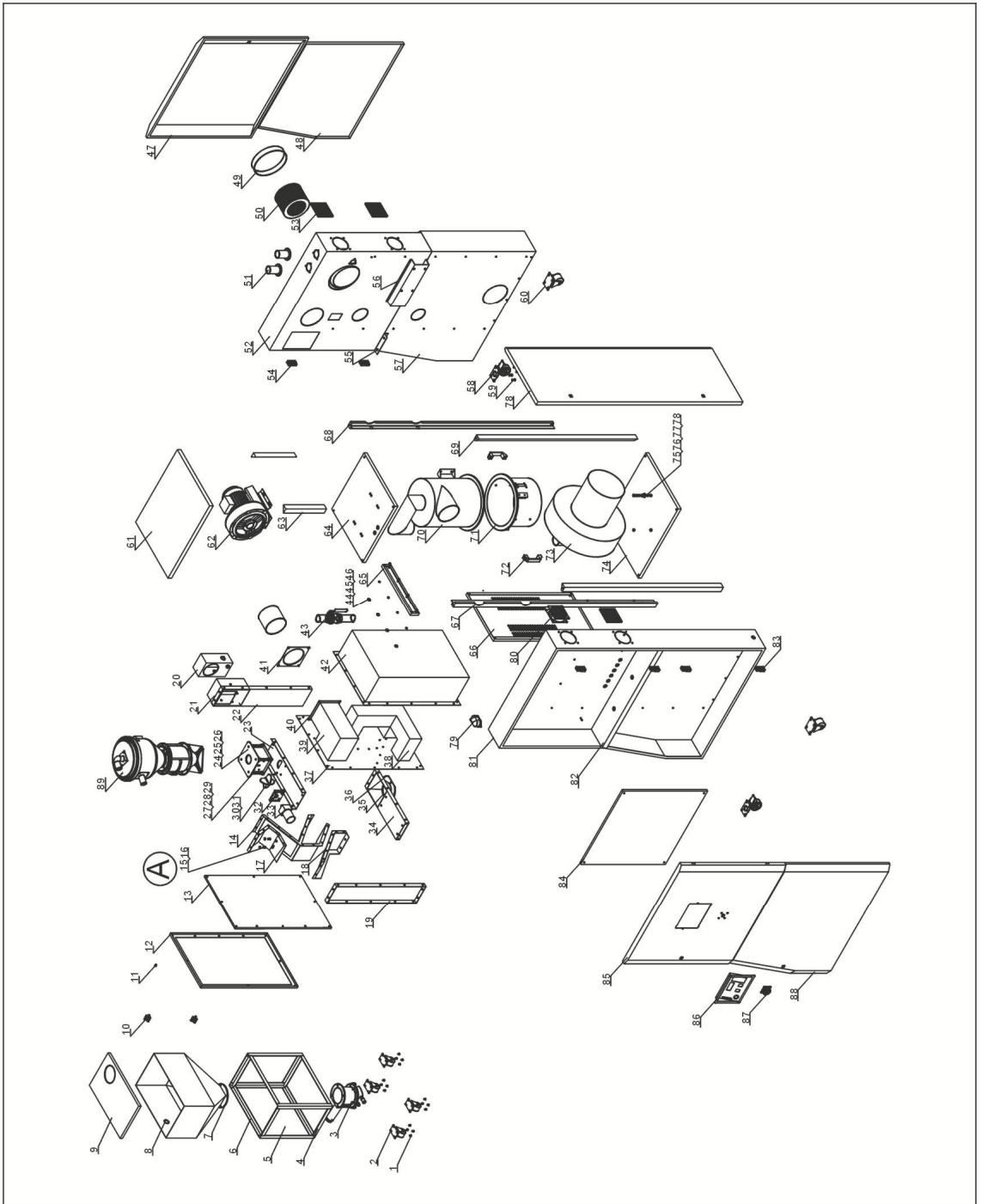


Scale	1:20	No.	1
Surface req.		Mat.	
Mat No.			

Mat.	Num.	Remarks



# 1. Assembly Drawing (SDS-500)



Remarks: Please refer to material List 2 for specific explanation of the Arabic numbers in parts drawing.

## 2. Parts List (SDS-500)

No.	Name	Part No.	No.	Name	Part No.
1	M5×10 Cruciform screw	YW61051000200	33	Mixing motor	YM50616400000
2	2" Mobile truckle	YW03000200000	34	Bottom plate	BL35500001321
3	Suction box	BY10203801150	35	Discharge opening	BL35500000420
4	Foot rest	BL35500001920	36	Discharge opening flange	BL35500000320
5	Foot rest	-	37	Back board	BL35500001620
6	Foot rest	-	38	Air inlet pipe	BL35500001620
7	Storage hopper flange	BL35500000620	39	Air outlet pipe	BL35500000220
8	Storage basket	BL35500000021	40	Attachment flange B	BL35500002620
9	Storage basket cover board	BL35500000720	41	Attachment flange A	-
10	Manual-twisted screw	YW69461600000	42	Back cover board	BL35500000521
11	M6×10 Cruciform screw	YW60062000000	43	Ball valve	YW50015000000
12	Door frame	BL35500001121	44	M6×15 Socket screw	YW61615000000
13	Door frame	BL35500003520	45	6mm Spring cushion	YW65006000000
14	Air damper 1	BL35500004420	46	6×18 Plain cushion	YW66061800000
15	M6×15 External hex screw	YW60061500100	47	Top-right tank door	BL35500004120
16	6×12 plain cushion	YW66061200000	48	Bottom-right cover board	BL35500003720
17	Air damper 2	BL35500000121	49	Filter**	YR50181100000
18	Air damper 3	BL35500000221	50	Filter basket	BL35500000321
19	Left side board	BL35500004020	51	Wind pipe attachment flange	BL35500001120
20	Lon fan	YE15000100000	52	Top-right tank board	BL35500001521
21	Fan mounting plate	-	53	Dust screen	YR40120300000
22	Right side board	BL35500001421	54	Hinge CL203-1(right)	YW06203100200
23	Upper plate	-	55	De-dusting machine's mounting plate A	-
24	Feed opening flange B	BL35500002420	56	Filter basket's mounting plate	BL35500001320
25	Feed opening	BL35500002520	57	Bottom-right tank board	BL35500001621
26	Feed opening flange A	BL35500002320	58	4" Braking truckle	YW03000400000
27	M8×20 Socket screw	YW61082000000	59	M8×20 External hex screw	YW60082000200
28	8mm Spring cushion	YW65008000100	60	4" Mobile truckle	YW03000400200
29	8×19 plain cushion	YW66081900000	61	Deck plate	BL35500001020
30	Vertical curved blade**	BL35500002020	62	Feeding fan	BM30042000050
31	Blade shaft	-	63	Back top upright post	BL35500000621
32	Motor mounting plate	-	64	Intermediate clap board	-

No.	Name	Part No.	No.	Name	Part No.
65	Front top cover board	-	78	M10 Locknut	YW64101100000
66	Front bottom cover board	BL35500002920	79	Alarm light	BL90011500020
67	Front top upright post A	-	80	Exhaust fan	YM60121200400
68	Front top upright post B	-	81	Left tank board	BL35500004220
69	Back upright post	BL35500000821	82	Left tank clapboard	-
70	Filter basket	BL35500000321	83	Hinge CL203-1(right)	YW06203100400
71	Dust container	BL35500001021	84	Electrical appliance mounting plate	BL35500000920
72	Five-star handle	YR40083500000	85	Top left tank door	BL35500004120
73	De-dusting fan (2.2kW)	BM30224000050	86	Panel	YR40070000000
74	Motherboard	BL35500000820	87	Power switch*	YE10200300000
75	M10×45 External hex screw	YW61104500000	88	Bottom left tank door	
76	10mm Spring cushion	YW65010000000	89	SHR-12U-E	BY20012000650
77	10×25 Plain cushion	YW66102500000			

\* means possible broken parts.

\*\* means easy broken part. and spare backup is suggested.

Please confirm the version of manual before placing the purchase order to guarantee that the item number of the spare part is in accordance with the real object.