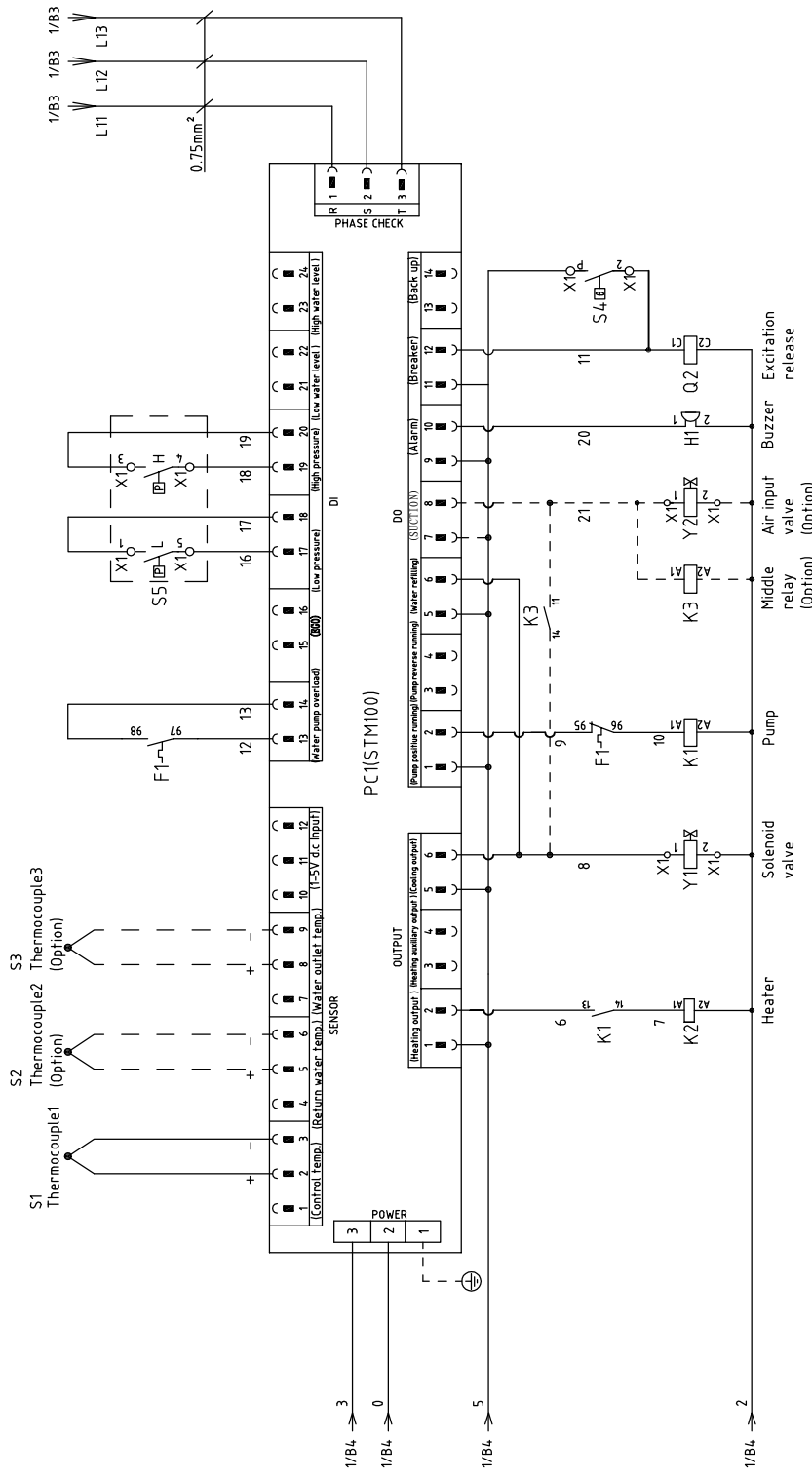


When equipped with magnetic pump F:SET 1.0A P=0.55KW IN=1.0A

STM-607W	版本	Ver.E
STM-607MW	版本	Ver.D
STM-607WA	版本	Ver.D

Title		Drawing No.	
Version	STM-607W	Scale	Page 1
Designer	Main Circuit Diagram	Standard	Totally 5 Pages
Proofread by		Voltage	4.00V
Checked by		Frequency	50Hz
Modify Date			
Modified by			
Mark	Before modification		
	After modification		

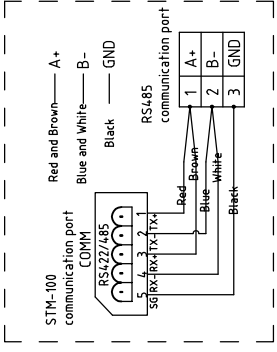
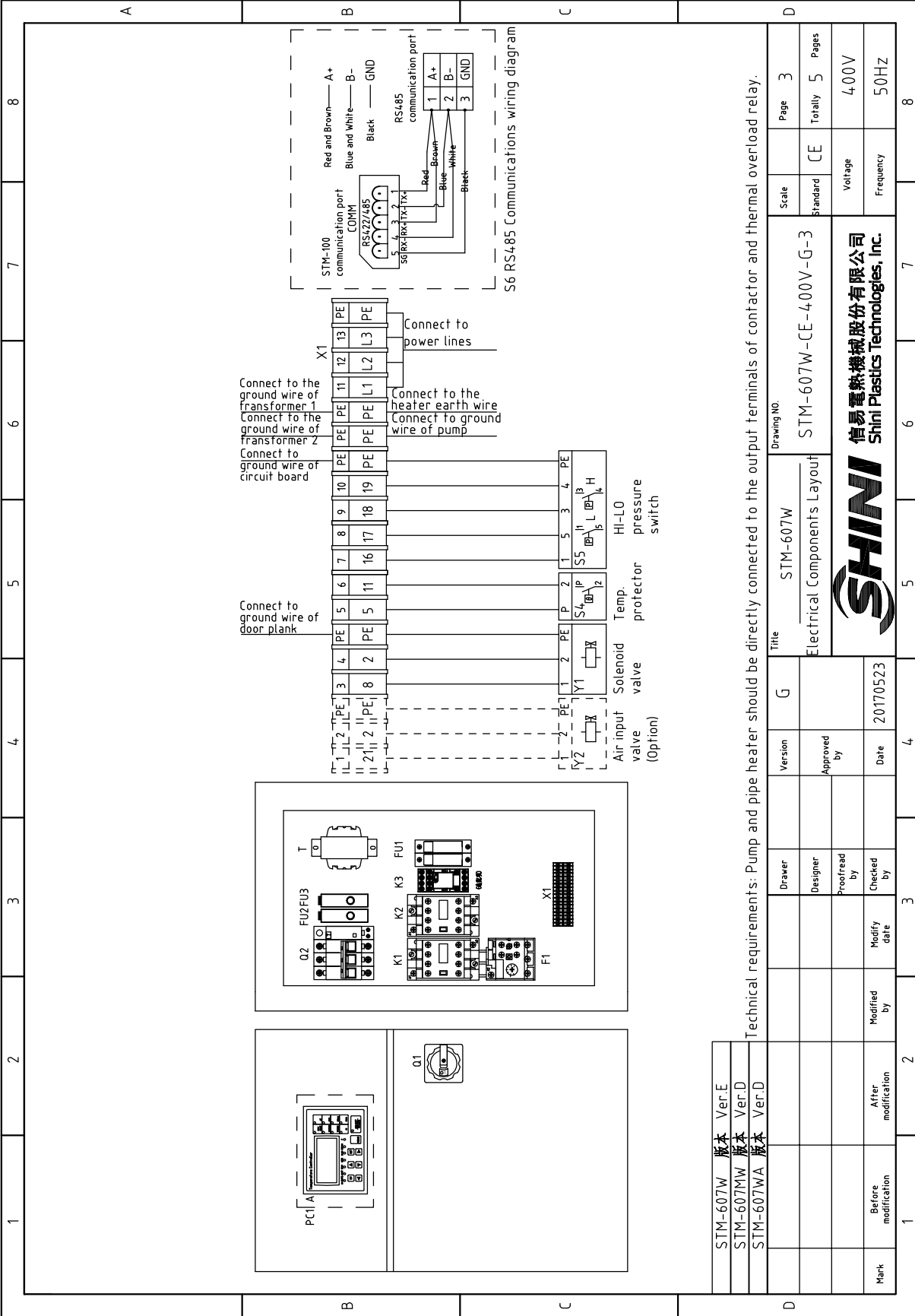
信易電熱機械股份有限公司
 Shini Plastics Technologies, Inc.



STM-607W	版本	Ver.E
STM-607MW	版本	Ver.D
STM-607WA	版本	Ver.D

Drawer	Version	Title		Drawing NO.	Scale	Page
Designer	Approved by	STM-607W		STM-607W-CE-400V-G-2	Standard	2
Proofread by		Control Circuit Diagram			CE	Totally 5
Checked by	Date				Voltage	Pages
Modified by	20170523				4.00V	5
Before modification					Frequency	
Mark					50Hz	

SHINI
信易塑料机械股份有限公司
Shini Plastics Technologies, Inc.



S6 RS485 Communications wiring diagram

STM-607W	版本	Ver.E
STM-607MW	版本	Ver.D
STM-607WA	版本	Ver.D

Title		STM-607W	Drawing NO.	
Version		G		
Electrical Components Layout		STM-607W-CE-400V-G-3		
Scale	Standard	CE	Page	3
			Totally	5
			Voltage	400V
			Frequency	50Hz

Mark	Before modification	After modification	Modify date	Date
				20170523

Designer	Proofread by	Checked by	Approved by


Drawer	Version	G	Title	STM-607W	Drawing NO.	
			Electrical Components Layout	STM-607W-CE-400V-G-3		

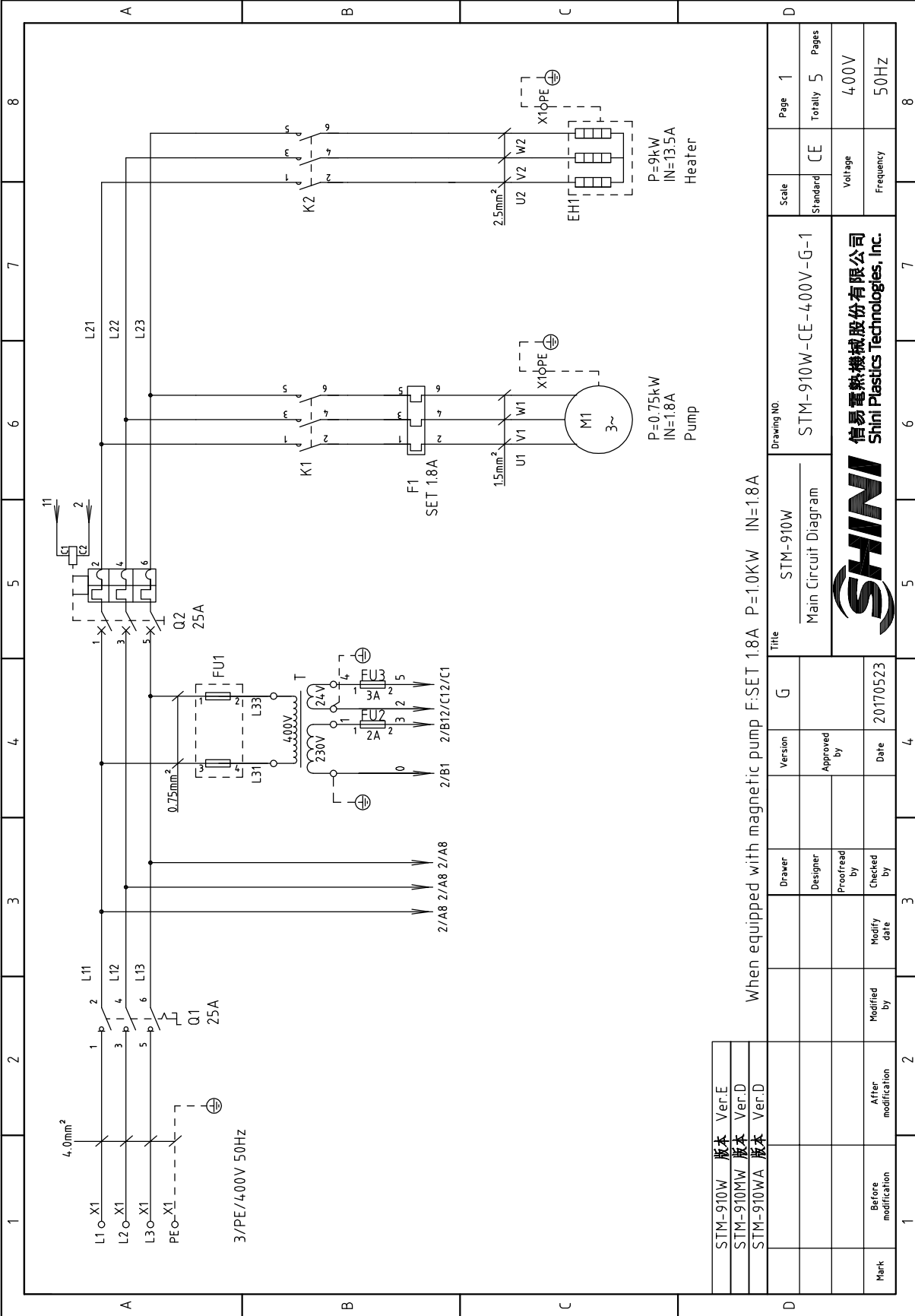
Technical requirements: Pump and pipe heater should be directly connected to the output terminals of contactor and thermal overload relay.



1	2		3	4	5	6	7	8	
NO.	Symbol	Name	Manufacturer	Type	Specification	Number	Material number	Remark	
1	Q1	Main Switch	ERATON	T0-2-1/EA/SVB	16A	1	YE10021160000		
2	Q2	Circuit Breakers	TECO	BM-63C	16A	1	YE40301603000		
3	A	Excitation Release	TECO	MX	24VAC	1	YE40024000000	A	
4	K1	Contactors	SIEMENS	3RT6015-1AB01	24VAC	1	YE00601502500		
5	K1	Contactors	SIEMENS	3RT6015-1AB01	24VAC	1	YE00601502500	(3)	
6	K2	Contactors	SIEMENS	3RT6018-1AB01	24VAC	1	YE00601802500		
7	K3	Middle Relay	HONEYWELL	GR-2C-AC24V	24VAC	1	YE03022400300	(4)	
8	F1	Overload Relays	SIEMENS	3RU6116-0KB0	0.9-1.25A	1	YE01160900000		
9	F1	Overload Relays	SIEMENS	3RU6116-0KB0	0.9-1.25A	1	YE01160900000	(3)	
10	FU1	Fuse Base	CHNT	RT18-32	32A 2P	1	YE41032200000		
11	B	Fuse Core	MRO	10×38 500V	2A	2	YE46020000100	B	
12	FU2 FU3	Fuse	YINDA	FS-10	----	2	YE41001000000		
13		Fuse	----	6×30/3A	3A	1	YE46630500200		
14	T	Transformer	BAIYUN	IN=400V OUT=24VAC/230V	120VA/350mA	1	YE70040005500		
15	S1	Thermocouple	SHINI	----	K	1	----	(1)	
16	S2 S3	Thermocouple	SHINI	----	K	2	----	(1)(2)	
17	S4	Overheat Protector	----	----	----	1	----	(1)	
18	S5	HI-LO pressure switch	----	----	----	1	----	(1)	
19	PC1 A	Circuit Board	HANYOUNGUX	STM100-21(With the communication)	180-4.30V 50/60Hz	1	YE81184.300200	C	
20	H1	Buzzer	----	PK-35A	24VAC/DC	1	YE840035000600		
21	Y1	Solenoid Valve	----	----	24VAC	1	----	(1)	
22	Y2	Solenoid Valve	----	----	24VAC	1	----	(1)(4)	
23	X1	Terminal Board	----	2.5mm ²	----	8	YE60002503200		
24		Terminal Board	----	2.5mm ² PE	----	5	YE60002503400		
		STM-607W 版本	Notes: (1)Means it's not the material inside the control box.(2)Means equipped with function of displaying water outlet and return water temperature.						
		STM-607MW 版本	(3)Means equipped with magnetic pump. (4)Means optional air-blowing cleaning function.						
		STM-607WA 版本							
D			Title	Version	G	Drawing NO.	Scale	Page	
			STM-607W			STM-607W-CE-400V-G-4	Standard	4	
			Electrical Components List 1	Approved by			CE	5	
			Proofread by	Date	20170523		Voltage	4.00V	
			Checked by				Frequency	50Hz	
Mark	Before modification	After modification	Modified by	Modify date				8	




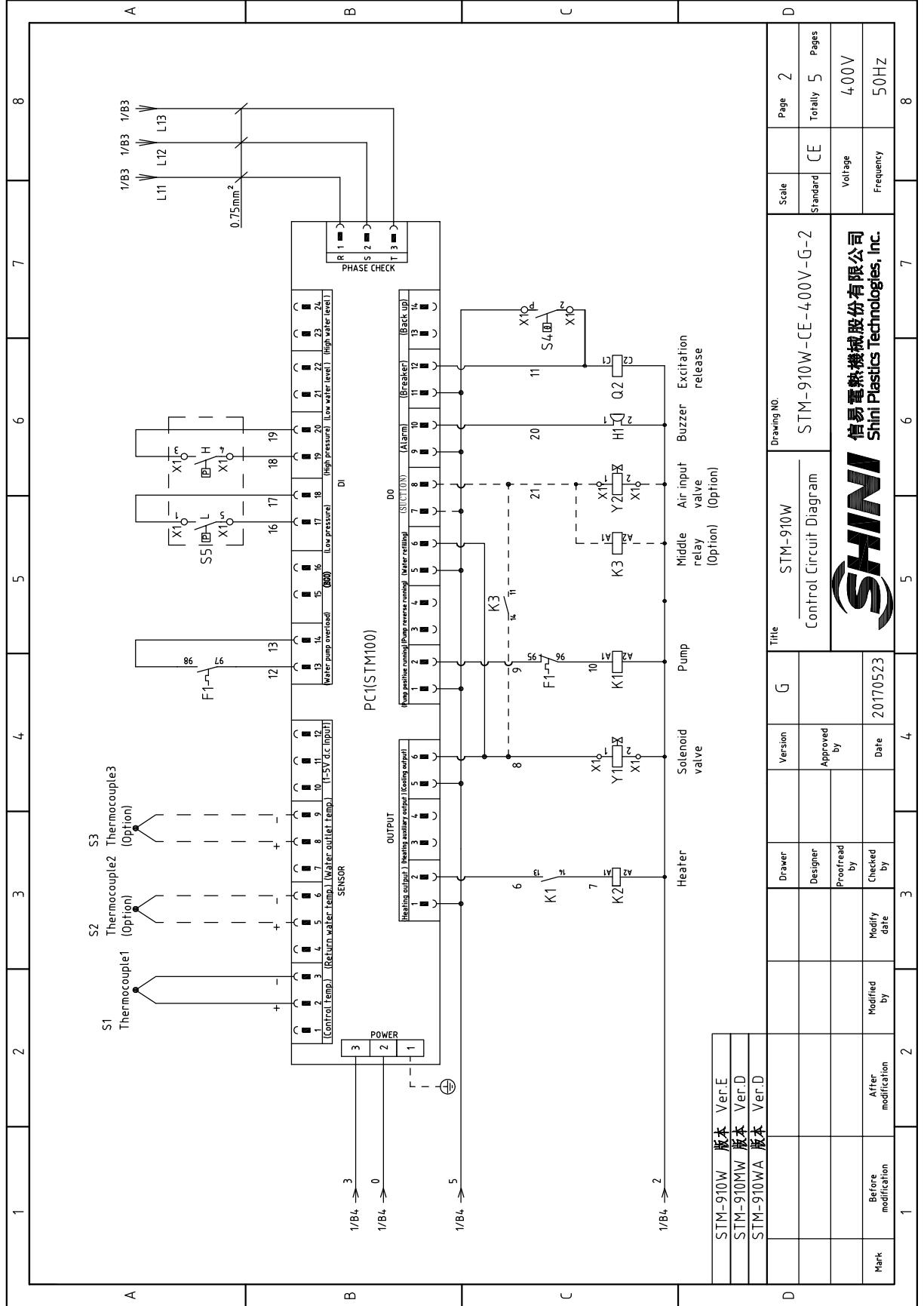
1		2		3		4		5		6		7		8	
NO.	Symbol	Name	Manufacturer	Type	Specification	Number	Material number	Remark							
25		Terminal Board	----	2.5mm ²	----	2	YE60002503200	(4)							
26		Terminal Board	----	2.5mm ² PE	----	1	YE60002503400	(4)							
27	M1	Motor	SHINI	TP-55	400V 50Hz 0.55kW	1	----	(1)	A						
28	M1	Motor	SHINI	MP-55	400V 50Hz 0.55kW	1	----	(1)(3)							
29	EH	Heater	SHINI	6kW	400V 50Hz	1	----	(1)							
30	S6	Communication interface board RS-485 (double Dsub-9pin connector)			PCS	1.000	YE90048501200								
31		Shell RS485(SAL-700G-A-19)0			PCS	1.000	YR4,0048500000								
B															
C															
D															
Notes: (1)Means it's not the material inside the control box.(2)Means equipped with function of displaying water outlet and return water temperature. (3)Means equipped with magnetic pump. (4)Means optional air-blowing cleaning function.															
STM-607W 版本		Ver.E													
STM-607MW 版本		Ver.D													
STM-607WA 版本		Ver.D													
				Title		Version		G		Drawing NO.		Scale		Page	
				STM-607W						STM-607W-CE-400V-G-5		CE		5	
				Electrical Components List 2		Approved by						Voltage		4.00V	
				Proofread by		Date		20170523				Frequency		50Hz	
Mark				Before modification		Modified by		Modify date		Checked by					
 信易塑料机械股份有限公司 Shini Plastics Technologies, Inc.															
1 2 3 4 5 6 7 8															



STM-910W	版本	Ver.E
STM-910MW	版本	Ver.D
STM-910WA	版本	Ver.D

When equipped with magnetic pump F:SET 1.8A P=1.0KW IN=1.8A

Mark	Before modification	Modified by	Date	20170523	Checked by	Version	G	Title	STM-910W	Drawing No.	Scale	Page 1	
	After modification	Approved by	Main Circuit Diagram						CE				Totally 5
 信易电热机械股份有限公司 Shini Plastics Technologies, Inc.										Standard		Voltage	4.00V
										Frequency		50Hz	



STM-910W	版本	Ver.E
STM-910MW	版本	Ver.D
STM-910WA	版本	Ver.D

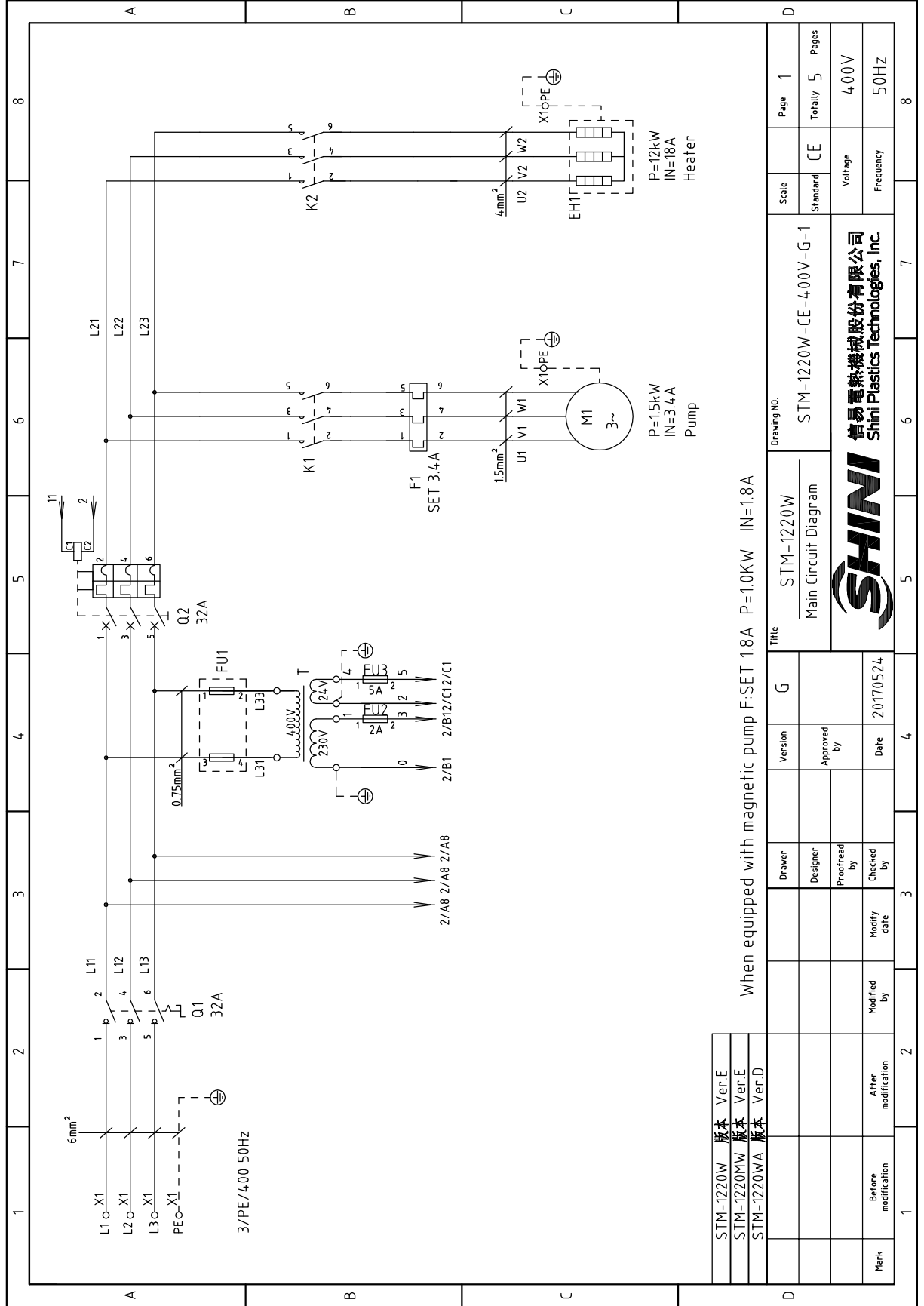
Mark	Before modification	Modified by	Modify date	Checked by	Date	20170523

Drawer	Version	G	Title	STM-910W	Drawing NO.	STM-910W-CE-400V-G-2
Designer	Approved by		Control Circuit Diagram			
Proofread by						
Checked by	Date	20170523				

Scale	Page	2
Standard	Totally	5
Voltage	Frequency	4.00V
		50Hz



1		2		3		4		5		6		7		8	
No.	Symbol	Name	Manufacturer	Type	Specification	Number	Material number	Remark							
25		Terminal Board	----	4.0mm ²	----	3	YE60000403200								
26		Terminal Board	----	4.0mm ² PE	----	1	YE60000403500								
27		Terminal Board	----	2.5mm ²	----	2	YE60002503200	(4)							
28		Terminal Board	----	2.5mm ² PE	----	1	YE60002503400	(4)							
29	M1	Motor	SHINI	TP-75	4.00V 50Hz 0.75kW	1	----	(1)							
30	M1	Motor	SHINI	MP-100	4.00V 50Hz 1.0kW	1	----	(1)(3)							
31	EH	Heater	SHINI	9kW	4.00V 50Hz	1	----	(1)							
32	S6	Communication interface board RS-485 (double Dsub-9pin connector)			PCS	1.000	YE90048501200								
33		Shell RS485(SAL-700G-A-19)0			PCS	1.000	YR4,0048500000								
B															
C															
D															
STM-910W 版本		Ver.E													
STM-910MW 版本		Ver.D													
STM-910WA 版本		Ver.D													
Notes: (1)Means it's not the material inside the control box.(2)Means equipped with function of displaying water outlet and return water temperature. (3)Means equipped with magnetic pump. (4)Means optional air-blowing cleaning function.															
				Title		Version		G		Drawing NO.		Scale		Page	
				STM-910W						STM-910W-CE-400V-G-5		Standard		CE	
				Electrical Components List 2								Voltage		4.00V	
				Date		20170523						Frequency		50Hz	
SHINI 信易塑料机械股份有限公司 Shini Plastics Technologies, Inc.															
1 2 3 4 5 6 7 8															

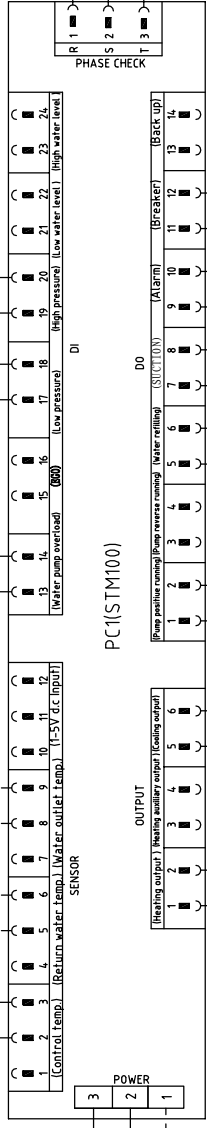
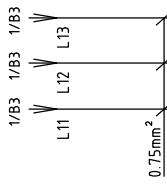


STM-1220W	版本	Ver.E
STM-1220MW	版本	Ver.E
STM-1220WA	版本	Ver.D

When equipped with magnetic pump F:SET 1.8A P=1.0KW IN=1.8A

Title		Drawing No.	
STM-1220W		STM-1220W-CE-400V-G-1	
Main Circuit Diagram		Scale	Page 1
SHINI 信易电热机械股份有限公司 Shini Plastics Technologies, Inc.		Standard	Totally 5 Pages
Version		Voltage	
G		4.00V	
Drawer	Approved by	Frequency	
Designer	Date	50Hz	
Proofread by	20170524		
Checked by			
Modified by			
Mark			

S1 Thermocouple1 (Option)
 S2 Thermocouple2 (Option)
 S3 Thermocouple3 (Option)



PC1(STM100)

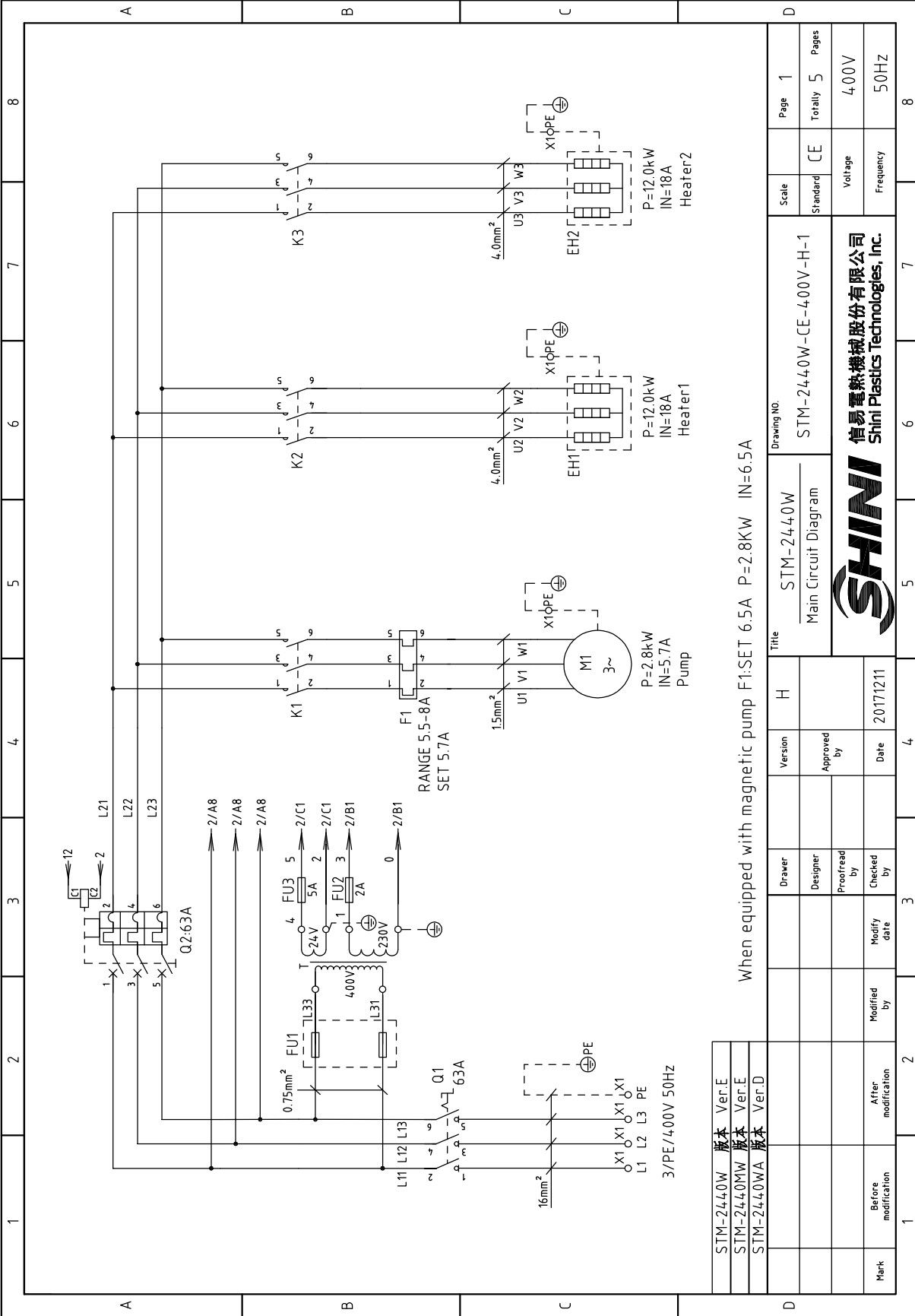
STM-1220W	版本	Ver.E
STM-1220MW	版本	Ver.E
STM-1220WA	版本	Ver.D

1	2	3	4	5	6	7	8
Title		G		Drawing NO.		Page 2	
STM-1220W		STM-1220W		STM-1220W-CE-400V-G-2		Scale	
Control Circuit Diagram		Approved by		Standard		CE	
SHINI		Date		Voltage		Pages	
信易塑料机械股份有限公司		20170524		4.00V		Totally 5	
Shini Plastics Technologies, Inc.		Modified by		Frequency		50Hz	
Mark		Before modification		After modification		1	

1		2		3		4		5		6		7		8	
NO.	Symbol	Name	Manufacturer	Type	Specification	Number	Material number	Remark							
1	Q1	Main Switch	EATON	P1-32/EA/SVB	32A	1	YE10323200000								
2	Q2	Circuit Breakers	TECO	BM-63C	32A	1	YE40303203000								
3		Excitation Release	TECO	MX	24VAC	1	YE40024000000	A							
4	K1	Contactors	SIEMENS	3RT6015-1AB01	24VAC	1	YE00601502500								
5	K1	Contactors	SIEMENS	3RT6015-1AB01	24VAC	1	YE00601502500	(3)							
6	K2	Contactors	SIEMENS	3RT6026-1AC20	24VAC	1	YE00602602600								
7	K3	Middle Relay	WEIDMULLER	GR-2C-AC24V	24VAC	1	YE03022400300	(4)							
8	F1	Overload Relays	SIEMENS	3RU6116-1EB0	2.8-4A	1	YE01160280000								
9	F1	Overload Relays	SIEMENS	3RU6116-1CB0	1.8-2.5A	1	YE01160180000	(3)							
10	FU1	Fuse Base	CHNT	RT18-32	32A 2P	1	YE41032200000								
11		Fuse Core	MRO	10x38 500V	2A	2	YE46002000100	B							
12	FU2 FU3	Fuse	YINDA	FS-10	----	2	YE41001000000								
13		Fuse	----	6x30/5A	5A	1	YE46630500100								
14	T	Transformer	BAIYUN	IN-400V OUT=24VAC/230V	120VA/ 350MA	1	YE70040005500								
15	S1	Thermocouple	SHINI	----	----	1	----	(1)							
16	S2 S3	Thermocouple	SHINI	----	----	2	----	(1)(2)							
17	S4	Overheat Protector	----	----	----	1	----	(1)							
18	S5	HI-LO pressure switch	----	----	----	1	----	(1)							
19	PC1 A	Circuit Board	HANYOUNGUX	STM100-21(With the communication)	180~430V 50/60Hz	1	YE81184300200	C							
20	H1	Buzzer	----	PK-35A	24VAC/DC	1	YE84003500600								
21	Y1	Solenoid Valve	----	----	24VAC	1	----	(1)							
22	Y2	Solenoid Valve	----	----	24VAC	1	----	(1)(4)							
23	X1	Terminal Board	HONEYWELL	2.5mm ²	----	8	YE60002503200								
24		Terminal Board	HONEYWELL	2.5mm ²	----	3	YE60002503400								
		STM-1220W 版本	Notes: (1)Means it's not the material inside the control box.(2)Means equipped with function of displaying water outlet and return water temperature.												
		STM-1220MW 版本	(3)Means equipped with magnetic pump. (4)Means optional air-blowing cleaning function.												
		STM-1220WA 版本													
			Drawer	Version	G	Title	Drawing NO.		Scale	Page					
			Designer	Approved by		STM-1220W	STM-1220W-CE-400V-G-4		Standard	Totally					
			Proofread by			Electrical Components List 1			CE	5					
			Checked by	Date	20170524					Voltage					
		Before modification	Modified by	Modify date						Frequency					
		After modification								4.00V					
		Mark								5.0Hz					
1		2		3		4		5		6		7		8	







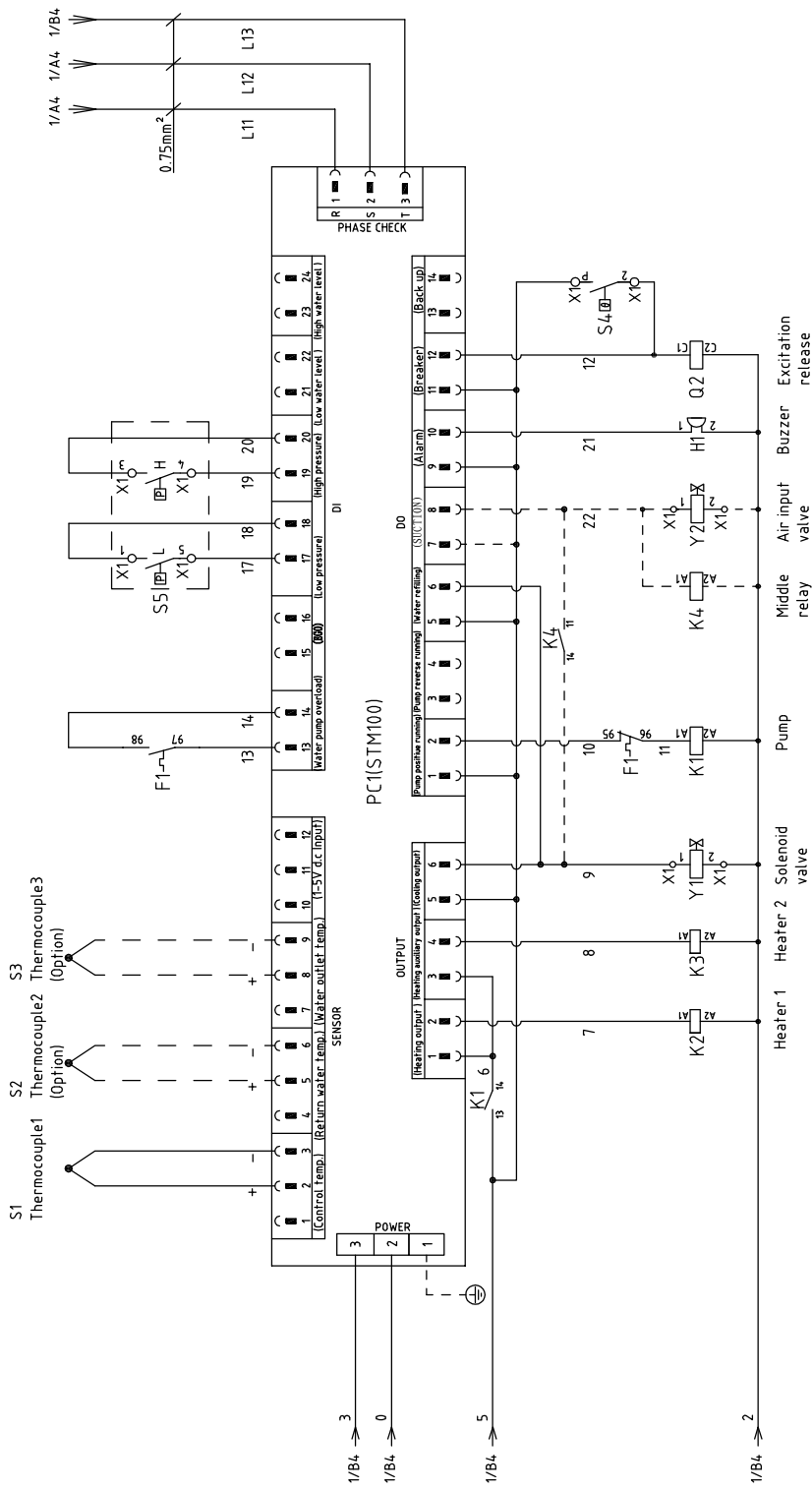
1		2		3		4		5		6		7		8			
NO.	Symbol	Name	Manufacturer	Type	Specification	Number	Material number	Remark									
25		Terminal Board	HONEYWELL	4.0mm ²	----	1	YE60000403500										
26		Terminal Board	HONEYWELL	6mm ²	----	3	YE60000603200										
27		Terminal Board	HONEYWELL	6mm ²	----	1	YE60000603500	A									
28		Terminal Board	HONEYWELL	2.5mm ²	----	2	YE60002503200	(4)									
29		Terminal Board	HONEYWELL	2.5mm ² PE	----	1	YE60002503400	(4)									
30	M1	Motor	SHINI	TP-150	400V 50Hz 1.5kW	1	----	(1)									
31	M1	Motor	SHINI	MP-100	400V 50Hz 1.0kW	1	----	(1)(3)									
32	EH	Heater	SHINI	12kW	400V 50Hz	1	----	(1)									
33	S6	Communication interface board RS-485 (double DSub-9pin connector)			PCS	1.000	YE90048501200										
34		Shell RS485(SAL-700G-A-19)0			PCS	1.000	YR40048500000										
B																	
C																	
D																	
		STM-1220W 版本 Ver.E															
		STM-1220MW 版本 Ver.E															
		STM-1220WA 版本 Ver.D															
		Notes: (1)Means it's not the material inside the control box.(2)Means equipped with function of displaying water outlet and return water temperature. (3)Means equipped with magnetic pump. (4)Means optional air-blowing cleaning function.															
		Mark	Before modification	After modification	Modified by	Modify date	Checked by	Date	20170524			Title		Scale		Page	
										Version		G		STM-1220W		5	
										Designer		Approved by		Electrical Components List 2		Standard	
										Proofread by				STM-1220W-CE-400V-G-5		CE	
										Checked by		Date		Voltage		Page	
												20170524		4.00V		5	
														Frequency		50Hz	
														SHINI		8	
														信易电热机械股份有限公司		Totally	
														Shini Plastics Technologies, Inc.		5	
														5		8	



When equipped with magnetic pump F1:SET 6.5A P=2.8KW IN=6.5A

STM-2440W	版本	Ver.E
STM-2440MW	版本	Ver.E
STM-2440WA	版本	Ver.D

Mark	Before modification	After modification	Modify Date	Checked by	Designer	Drawer	Version	H	Title	Scale	Page
									STM-2440W Main Circuit Diagram	CE	1
									Drawing NO.	Totally	Pages
									STM-2440W-CE-400V-H-1	5	5
											
信易电热机械股份有限公司 Shini Plastics Technologies, Inc.											
Before modification	After modification	Modify Date	Checked by	Designer	Drawer	Version	H	Title	Scale	Page	
								STM-2440W Main Circuit Diagram	CE	1	
									Drawing NO.	Totally	Pages
									STM-2440W-CE-400V-H-1	5	5
											
信易电热机械股份有限公司 Shini Plastics Technologies, Inc.											
Before modification	After modification	Modify Date	Checked by	Designer	Drawer	Version	H	Title	Scale	Page	
								STM-2440W Main Circuit Diagram	CE	1	
									Drawing NO.	Totally	Pages
									STM-2440W-CE-400V-H-1	5	5
											
信易电热机械股份有限公司 Shini Plastics Technologies, Inc.											
Before modification	After modification	Modify Date	Checked by	Designer	Drawer	Version	H	Title	Scale	Page	
								STM-2440W Main Circuit Diagram	CE	1	
									Drawing NO.	Totally	Pages
									STM-2440W-CE-400V-H-1	5	5
											
信易电热机械股份有限公司 Shini Plastics Technologies, Inc.											



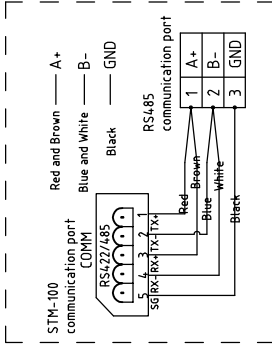
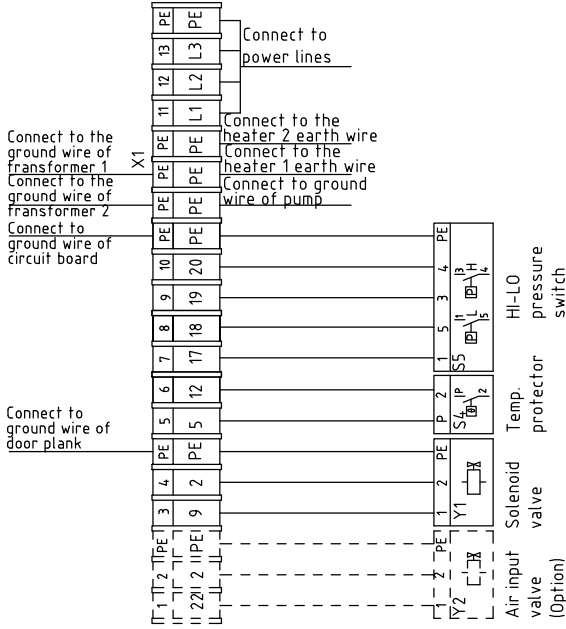
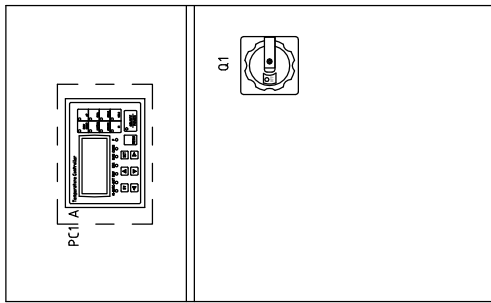
1	2	3	4	5	6	7	8		
STM-2440W 版本 Ver.E STM-2440MW 版本 Ver.E STM-2440WA 版本 Ver.D		Title STM-2440W Control Circuit Diagram		Drawing NO. STM-2440W-CE-400V-H-2		Scale Standard CE		Page 2 Totaly 5 Pages	
Before modification		Modified by		Date 20171211		Voltage 400V		Frequency 50HZ	
Mark		After modification		Designer		Approved by		SHINI Shini Plastics Technologies, Inc.	
1		2		3		4		5	

A

B

C

D



S6 RS485 Communications wiring diagram

STM-2440W	版本	Ver.E
STM-2440MW	版本	Ver.E
STM-2440WA	版本	Ver.D

Technical requirements: Pump and pipe heater should be directly connected to the output terminals of contactor and thermal overload relay.

Mark	Before modification	After modification	Modify date	Date	20171211	Checked by		Proofread by		Designer		Drawer		Version	H	Title	STM-2440W	Drawing NO.	STM-2440W-CE-400V-H-3	Scale	Page 3	Standard	CE	Totally	5	Pages	4.00V	Voltage	50Hz	Frequency
------	---------------------	--------------------	-------------	------	----------	------------	--	--------------	--	----------	--	--------	--	---------	---	-------	-----------	-------------	-----------------------	-------	--------	----------	----	---------	---	-------	-------	---------	------	-----------



