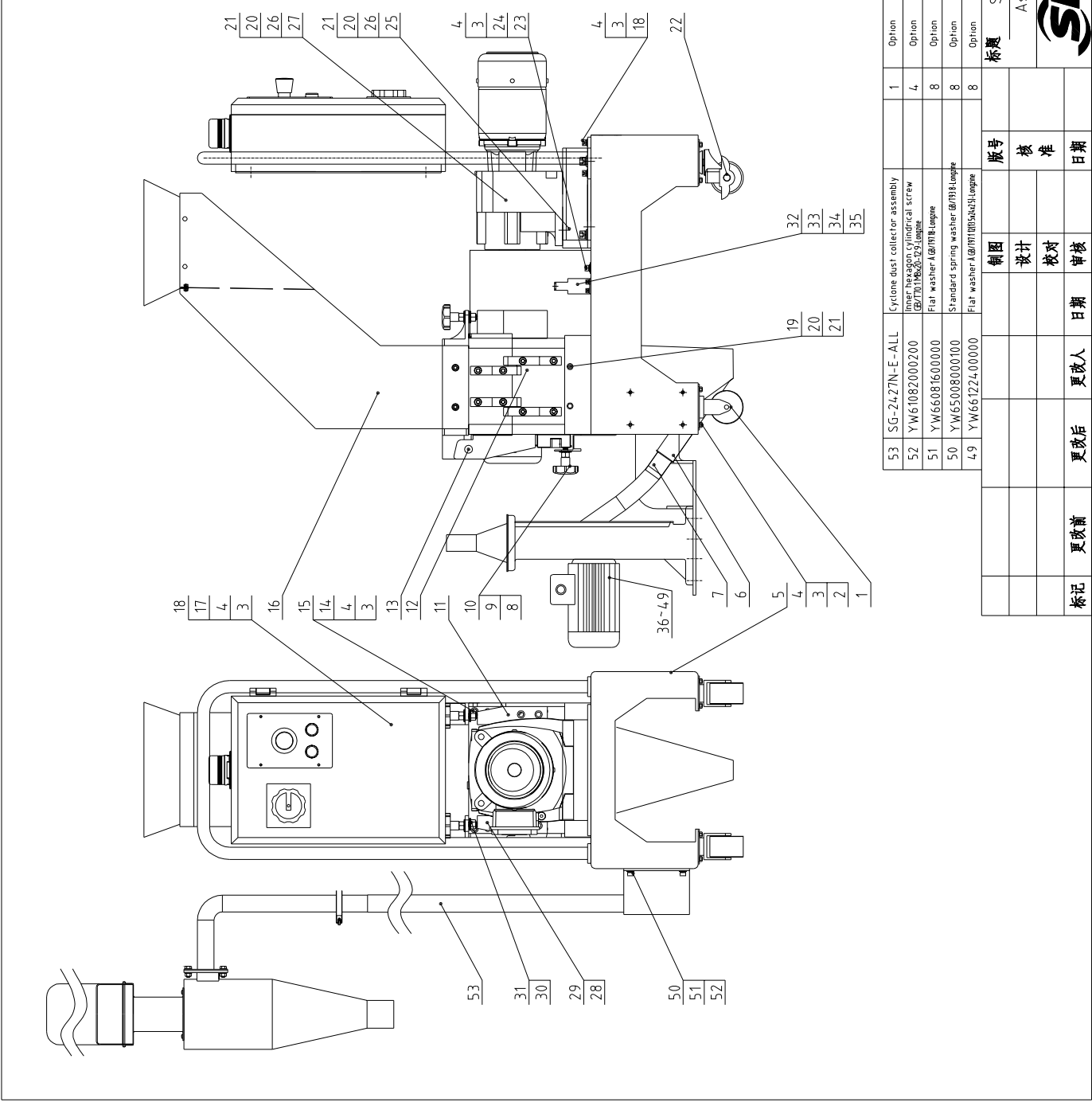


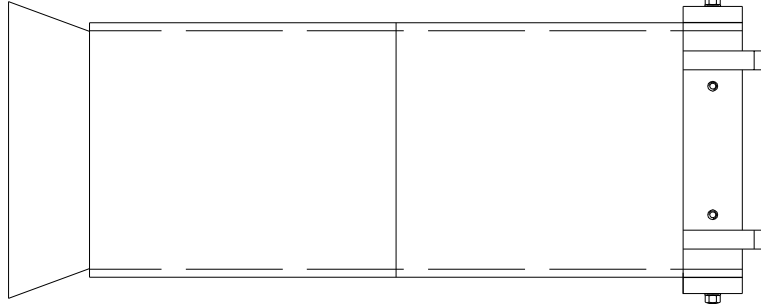
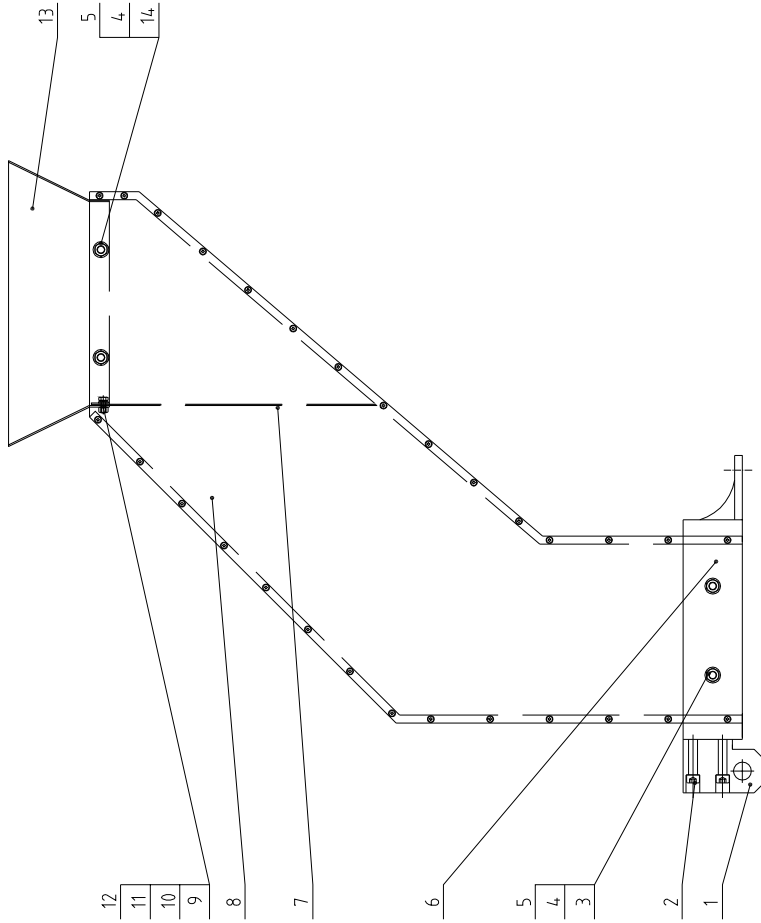
48	YW65012000000	Standard spring washer @Ø19x12,Length			4	Option
47	YW60124-500000	Hexagon bolt @Ø19x16x45-8.8,Length			4	Option
46	YW61081200000	Inner hexagon cylindrical screw @Ø17x16x25,Length			4	Option
45	YW66641216000	Flat washer @Ø19x18,Length			4	Option
44	YW65006000100	Standard spring washer @Ø19x14,Length			4	Option
43	YW61062001200	Inner hexagon cylindrical screw @Ø17x16x25,Length			4	Option
42	YW03000300200	Movable castor 3"			1	Option
41	YW02000200000	Stainless steel clamp 2"	SUS201		2	Option
40	YR60105000200	Steel wired plastic pipe15" (L=0.3h)			1	Option
39	SG-1628N-ALL-07	Hinge pin	Q235A		1	Option
38	SG-1628N-ALL-06	Hinge base	Q235A		1	Option
37	BM30552300050	Blower 0.55kw			1	Option
36	SG-2427N-ALL-02	Blower fixed plate			1	Option
35	YW66061300000	Flat washer @Ø19x16x0.8,Length			2	
34	YW65006000100	Standard spring washer @Ø19x14,Length			2	
33	YW61061200000	Inner hexagon cylindrical screw @Ø17x16x25,Length			2	
32	SG-2427N-ALL-06	Sensor fixed plate	SPCC3.0		1	
31	YW68005000000	Inner hexagon flat-end set screw @Ø17x16x25,Length			3	
30	SG-24N-ALL-10	Screw locknut	4		3	
29	YW61105500000	Inner hexagon cylindrical screw @Ø17x16x25,Length			4	
28	SG-24 T-A-014/01	Locating block Z(L=1)	Q235A		1	
27	YM10572100500	Gear motor SK572 1-80L/H/4			1	
26	YW61123500000	Inner hexagon cylindrical screw @Ø17x16x25,Length			8	
25	SG-2427N-ALL-05	Gear motor mounting base	SPH8.0		1	
24	YW61081600000	Inner hexagon cylindrical screw @Ø17x16x25,Length			4	
23	SG-2427N-ALL-04	Coupling cover plate	SPCC2.0		1	
22	YW03000300900	America side brake black castor 3"			2	
21	YW66122400000	Flat washer @Ø19x16x0.8,Length			12	
20	YW65012000000	Standard spring washer @Ø19x14,Length			12	
19	YW61122500000	Inner hexagon cylindrical screw @Ø17x16x25,Length			4	
18	YW61082001200	Inner hexagon cylindrical screw @Ø17x16x25,Length			8	
17	SG-2427N-D-ALL	Control box assembly			1	
16	SG-2417N-B-ALL	Feed box assembly			1	
15	YW61082500100	Inner hexagon cylindrical screw @Ø17x16x25,Length	12.9		2	
14	SG-24N-ALL-04	Fixing plate for safety switch	SPH8.0		1	
13	SG-24N-ALL-03	Feed box spindle	Q235A		2	
12	SG-2417N-A-ALL	Cutting chamber assembly			1	
11	SG-24 T-A-014/02	Locating block Z(Right)	Q235A		1	
10	YW64012100000	Hexagon nut @Ø16x10x2,Length			3	
9	YW66122400000	Flat washer @Ø19x16x0.8,Length			3	
8	SG-24N-ALL-02	Plum blossom assembly			3	
7	SG-24N-ALL-01	Suction pipe	SUS201(1.0)		1	
6	SG-2417N-ALL-01	Storage box			1	
5	SG-2417N-C-ALL	Base assembly			1	
4	YW66081600000	Flat washer @Ø19x18,Length			26	
3	YW65008000200	Standard spring washer @Ø19x14,Length			26	
2	YW60081600100	Hexagon bolt @Ø19x16x14,Length			16	
1	YW03000300300	Fixing black castor 3"			2	



53	SG-2427N-E-ALL	Cyclone dust collector assembly	1	Option	
52	YW61082001200	Inner hexagon cylindrical screw @Ø17x16x25,Length	4	Option	
51	YW66081600000	Flat washer @Ø19x18,Length	8	Option	
50	YW65008000100	Standard spring washer @Ø19x14,Length	8	Option	
49	YW66122400000	Flat washer @Ø19x16x0.8,Length	8	Option	

NO	Code	Name	Texture	Qty.	Remark
SG-2417N	Assembly	SG-2417N-ALL	比例 1:9	数量 1	
版号	核准	日期	表面要求	材质	
制图	设计	日期	物料号		
校对	审核	日期			
更改前	更改人	日期			
更改后	更改人	日期			

SHINI 信易电热机械股份有限公司
Shini Plastics Technologies, Inc.

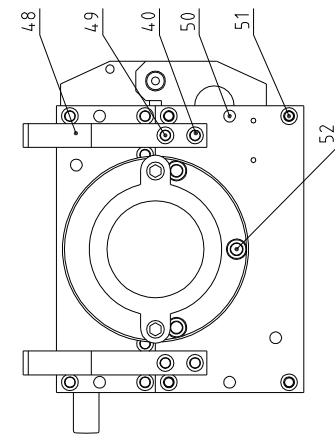
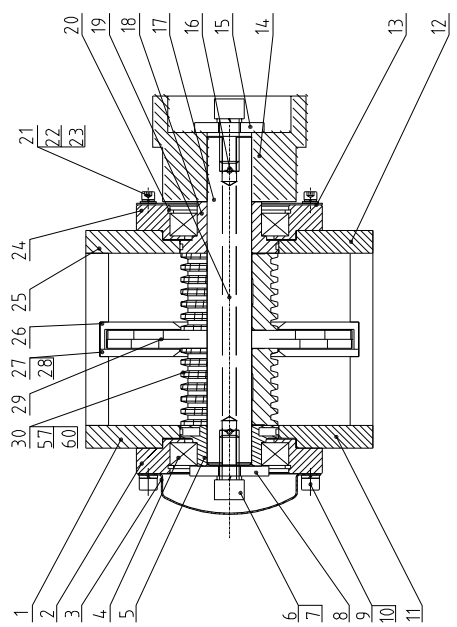
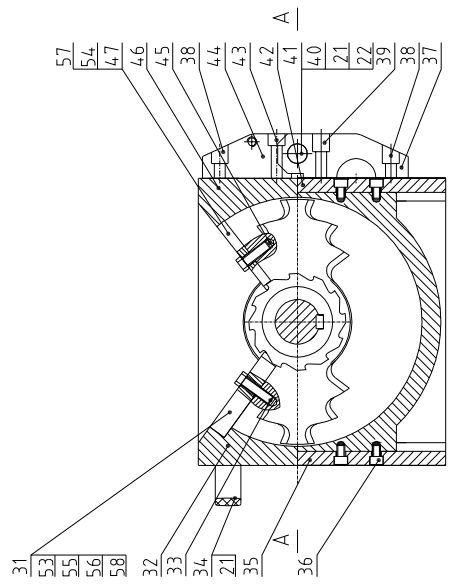


9	SG-24.17N-B-06	Material fender pressing plate	SPCC15	1	
8	SG-24.17N-B-04	Feed box		1	
7	SG-24.17N-B-03	Material fender		1	
6	SG-24.17N-B-01	Feed box base		1	
5	YW64.0008000100	Non metal insert of hexagon locknut (GB/T8981.1#)		12	
4	YW66081600000	Flat washer (GB/T118.1#)		24	
3	YW61084.000100	Inner hexagon round head screw (GB/T702.1#x2.0-1.0#)		8	
2	YW61085.000000	Inner hexagon cylindrical screw (GB/T702.1#x2.0-1.0#)		4	
1	SG-24N-B-01	Plate block of feed box 1	Q235A	2	
		Name	Texture	Dty	Remark
		标准	比例	数量	1
		图号	材质		
		SG-24.17N	表面要求		
		Feed Box Assembly	物料号		
		SG-24.17N-B-ALL			

14	YW61082500200	Inner hexagon round head screw (GB/T702.1#x2.0-1.0#)	SPCC15	4	
13	SG-24.17N-B-05	Feed port		1	
12	YW61051200100	Inner hexagon cylindrical screw (GB/T701.1#x2.0-1.0#)		3	
11	YW64.000500000	Non metal insert of hexagon locknut (GB/T8981.1#)		3	
10	YW66051000000	Flat washer (GB/T118.1#)		3	
		Name	Texture	Qty	Remark
		标准	图号	版号	
		SG-24.17N	Feed Box Assembly	核准	
		Feed Box Assembly	日期		
		SG-24.17N-B-ALL			



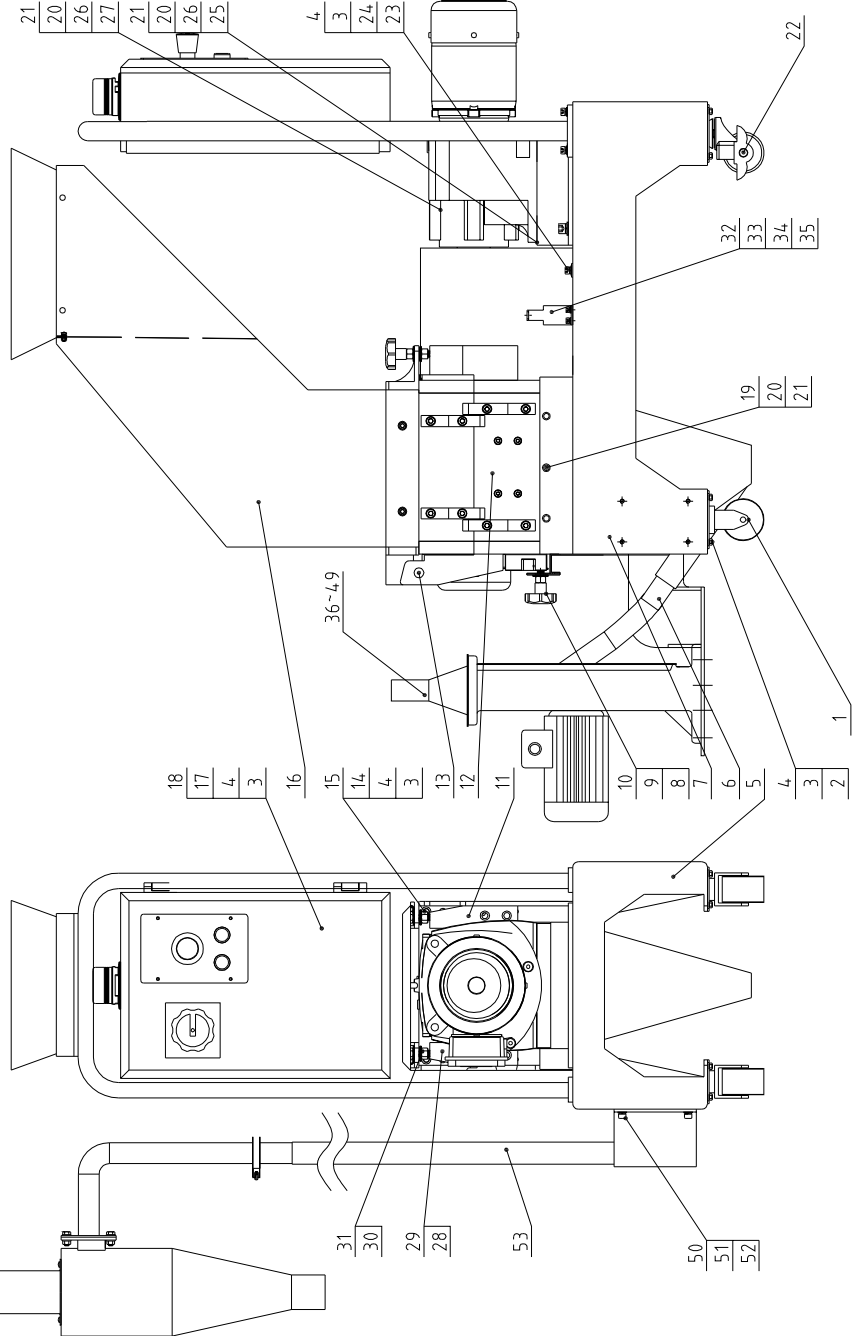
标记	更改前	更改后	更改人	日期	审核	日期



NO.	Code	Name	Quantity	Material	Remark
28	YW61082000100	Inner hexagon countersunk head screw GB/T0318x20-L29-Longzine	5		
27	SG-24-N-A-06	Middle plate 2	1		
26	SG-24-N-A-05	Middle plate 1	1		
25	SG-24-N-A-10	Right bearing holder at top	1	Q235A	
24	SG-24-N-A-08	Right bearing base	1	QT500-7	
23	YW66081600000	Flat washer 1 @1918-Longzine	4		
22	YW65008000100	Standard spring washer @1918-Longzine	8		
21	YW61081600000	Inner hexagon cylindrical screw GB/T0318x16-L29-Longzine	10		
20	YW69012700000	Elastic ring for hole use I20	2	65Mn	
19	SG-24-17N-A-06	Flat key 1x4x3332	1	45	
18	SG-24-T-A-42	Right shaft sleeve	1	QT500-7	
17	SG-24-17N-A-01	Main shaft	1	40Cr	
16	YW61061200000	Inner hexagon cylindrical screw GB/T0318x16-L29-Longzine	2		
15	SG-24-N-A-36	Coupler pad	1	Q235A	
14	YW11000900300	Shaft coupler X90E-50D-52L@-P9H1-70	1		
13	SG-24-N-A-35	Bearing blocking cover plate	1	SPCC15	
12	SG-24-N-A-12	Right bearing holder at bottom	1	Q235A	
11	SG-24-N-A-11	Left bearing holder at bottom	1	Q235A	
10	YW65012000000	Standard spring washer @1918-Longzine	2		
9	YW61122000000	Inner hexagon cylindrical screw GB/T0318x12-L29-Longzine	2		
8	SG-24-N-A-25	Washer	1	Q235A	
7	YW65020000000	Standard spring washer @1918-Longzine	2		
6	YW61204500000	Inner hexagon cylindrical screw GB/T0318x12-L29-Longzine	2		
5	SG-24-N-A-03	Left shaft sleeve	1	QT500-7	
4	YW11621300000	Bearing 6213 DDU/VV	2	GCr15	
3	SG-24-N-A-02	Bearing cap	1	SPCC12	
2	SG-24-N-A-07	Left bearing base	1	QT500-7	
1	SG-24-N-A-09	Left bearing holder at top	1	Q235A	
58	SG-24-N-A-33	Narrow teeth cutter-R	1		
57	SG-24-N-A-32	Narrow fixed rear blade B	1		
56	SG-24-N-A-30	Narrow fixed front blade F1	1		
55	SG-24-N-A-29	Widened teeth cutter R	1		
54	SG-24-N-A-28	Widened fixed rear blade B	1		
53	SG-24-N-A-26	Widened fixed front blade F1	1		
52	YW61122500000	Inner hexagon cylindrical screw GB/T0318x12-L29-Longzine	2		
51	YW61103000100	Inner hexagon cylindrical screw GB/T0318x10-L29-Longzine	2		
50	YW69123500000	Elastic round pin I2x35	12	65Mn	
49	YW61103500000	Inner hexagon cylindrical screw GB/T0318x10-L29-Longzine	2		
48	SG-24-N-A-17	Rotate block of feed box 2	2	Q235A	
47	SG-24-N-A-22	Fixed rear blade B	2	SKD11	
46	SG-24-17N-A-04	Front case block at top	1	QT500-7	
45	YW60103000200	Extruded hexagonal bolt GB/578310x30-L29-Longzine	4		
44	SG-24-N-A-13	Rotate block of chamber 1	2	Q235A	
43	YW61104500000	Inner hexagon cylindrical screw GB/T0318x10-L29-Longzine	2		
42	SG-24-17N-A-02	Front case block at bottom	1	Q235A	
41	YW66082200100	Big gasket (GB/19818.1x24x2)	4		
40	SG-24-N-A-15	Chamber spindle	2	Q235A	
39	YW61104000200	Inner hexagon cylindrical screw GB/T0318x10-L29-Longzine	2		
38	YW61102500000	Inner hexagon cylindrical screw GB/T0318x10-L29-Longzine	6		
37	SG-24-N-A-14	Rotate block of chamber 2	2	Q235A	
36	YW61081200000	Inner hexagon cylindrical screw GB/T0318x12-L29-Longzine	4		
35	SG-24-17N-A-03	Back case block at bottom	1	Q235A	
34	BW20020001140	Handle I20x8	1	AL	
33	YW60103500200	Hexagon bolt @157810x35-L29-Longzine	4		
32	SG-24-17N-A-05	Back case block at top	1	QT500-7	
31	SG-24-N-A-20	Fixed front blade F1	2	SKD11	
30	SG-24-N-A-23	Teeth cutter R	2	SKD11	
29	SG-24-N-A-24	Staggered blade	1	SKD11	

标题 SG-24-17N 图号
 标准 SG-24-17N
 设计 Cutting Chamber Assembly
 校核
 日期
 更改后 更改人 日期
 更改前 日期
 标记 审核 日期
 数量 1
 材质
 表面要求
 物料号

SHINI 信易电热机械股份有限公司
 Shini Plastics Technologies, Inc.

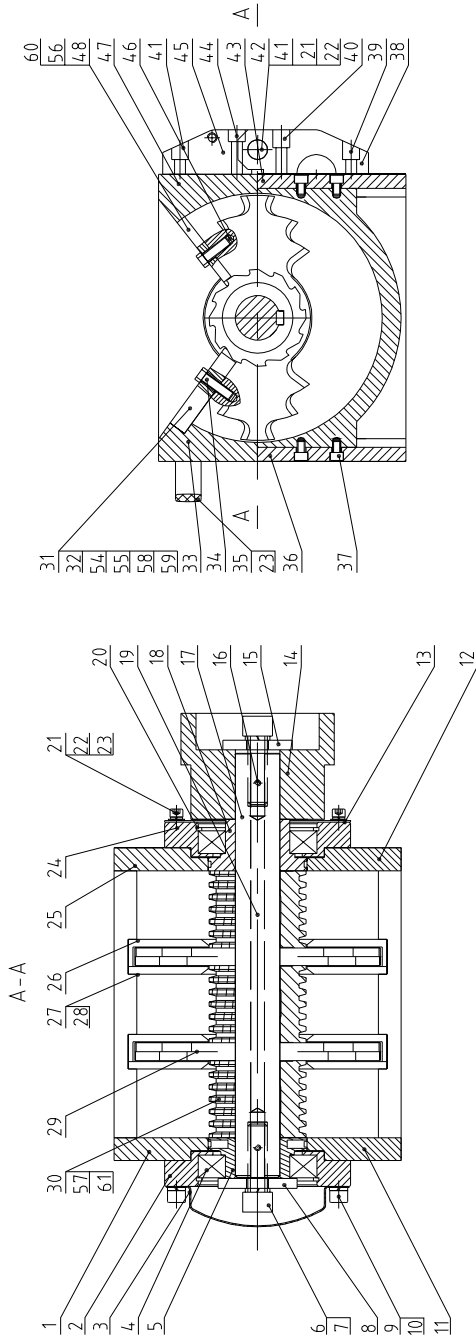


NO.	Code	Name	Qty	Remark
53	SG-2427N-E-ALL	Cyclone dust collector assembly	1	Option
52	YW61082000200	Inner hexagon cylindrical screw (Ø/70)1Mx25.25, 1/2, 1/4, 1/8	4	Option
51	YW66081600000	Flat washer (Ø/178)1/4	8	Option
50	YW65008000100	Standard spring washer (Ø/178)1/4	8	Option
49	YW66122400000	Flat washer (Ø/178)1/2x24	8	Option

48	YW65012000000	Standard spring washer (Ø/178)1/2	4	Option
47	YW60124500000	Hexagon bolt (Ø/150)1Mx45, 1/8, 1/4, 1/2	4	Option
46	YW61081200000	Inner hexagon cylindrical screw (Ø/70)1Mx25.25, 1/2, 1/4, 1/8	4	Option
45	YW66641216000	Flat washer (Ø/178)1/4	4	Option
44	YW65006000100	Standard spring washer (Ø/178)1/4	4	Option
43	YW61062001200	Inner hexagon cylindrical screw (Ø/70)1Mx20.25, 1/2, 1/4, 1/8	4	Option
42	YW03000300200	Movable castor 3"	1	Option
41	YW02000200000	Stainless steel clamp 2"	2	Option
40	YR60105000200	Steel wired plastic pipe1.5' (L=0.3m)	1	Option
39	SG-1628N-ALL-07	Hinge pin	1	Option
38	SG-1628N-ALL-06	Hinge base	1	Option
37	BM30552300050	Blower 0.55kW	1	Option
36	SG-2427N-ALL-02	Blower fixed plate	1	Option
35	YW66061300000	Flat washer (Ø/178)1/4x6.0	2	
34	YW65006000100	Standard spring washer (Ø/178)1/4	2	
33	YW61061200000	Inner hexagon cylindrical screw (Ø/70)1Mx25.25, 1/2, 1/4, 1/8	2	
32	SG-2427N-ALL-06	Sensor fixed plate	1	
31	YW68005000000	Inner hexagon flat-end set screw (Ø/70)1Mx25.25, 1/4	3	
30	SG-24N-ALL-10	Screw locknut	4	
29	YW61105500000	Inner hexagon cylindrical screw (Ø/70)1Mx25.25, 1/4	4	
28	SG-24T-A-014/01	Locating block 2(L=11)	1	
27	YM10572100500	Gear motor SK572.1-80H/4	1	
26	YW61123500000	Inner hexagon cylindrical screw (Ø/70)1Mx25.25, 1/4	8	
25	SG-2427N-ALL-05	Gear motor mounting base	1	
24	YW61081600000	Inner hexagon cylindrical screw (Ø/70)1Mx25.25, 1/4	4	
23	SG-2427N-ALL-04	Locating cover plate	1	
22	YW03000300900	America side brake black castor 3"	2	
21	YW66122400000	Flat washer (Ø/178)1/2x24	14	
20	YW65012000000	Standard spring washer (Ø/178)1/2	14	
19	YW61122500000	Inner hexagon cylindrical screw (Ø/70)1Mx25.25, 1/4	6	
18	YW61082001200	Inner hexagon cylindrical screw (Ø/70)1Mx20.25, 1/2, 1/4, 1/8	4	
17	SG-2427N-D-ALL	Control box assembly	1	
16	SG-2427N-B-ALL	Feed box assembly	1	
15	YW61082500100	Inner hexagon cylindrical screw (Ø/70)1Mx25.25, 1/4	2	
14	SG-24N-ALL-04	Fixing plate for safety switch	1	
13	SG-24N-ALL-03	Feed box spindle	2	
12	SG-2427N-A-ALL	Cutting chamber assembly	1	
11	SG-24T-A-014/02	Locating block 2(Right)	1	
10	YW64012100000	Hexagon nut (Ø/16)1/4	3	
9	YW66122400000	Flat washer (Ø/178)1/2x24	3	
8	SG-24N-ALL-02	Plum Blossom assembly	3	
7	SG-2427N-ALL-01	Storage box	1	
6	SG-24N-ALL-01	Suction pipe	1	
5	SG-2427N-C-ALL	Base assembly	1	
4	YW66081600000	Flat washer (Ø/178)1/4	22	
3	YW65008000100	Standard spring washer (Ø/178)1/4	22	
2	YW60081600100	Hexagon bolt (Ø/150)1Mx16, 1/4	16	
1	YW03000300300	Fixing black castor 3"	2	
Name			Texture	Remark
SG-2427N-ALL Assembly			比例 1:9	数量 1
			表面要求	材质
			物料号	

标记	更改前	更改后	更改人	日期	审核	日期	核准	日期
标题	SG-2427N-ALL	SG-2427N-ALL						
版号	1	1						
核	设计	设计						
准	校对	校对						
日期								

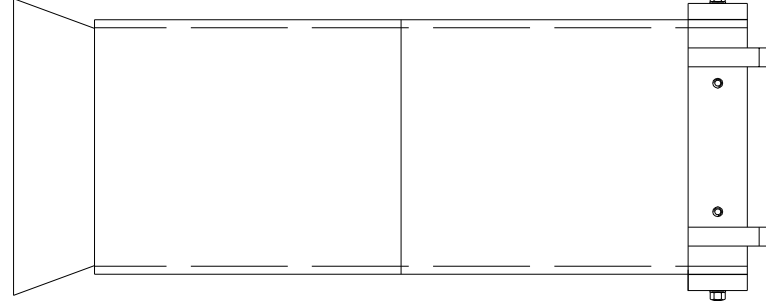
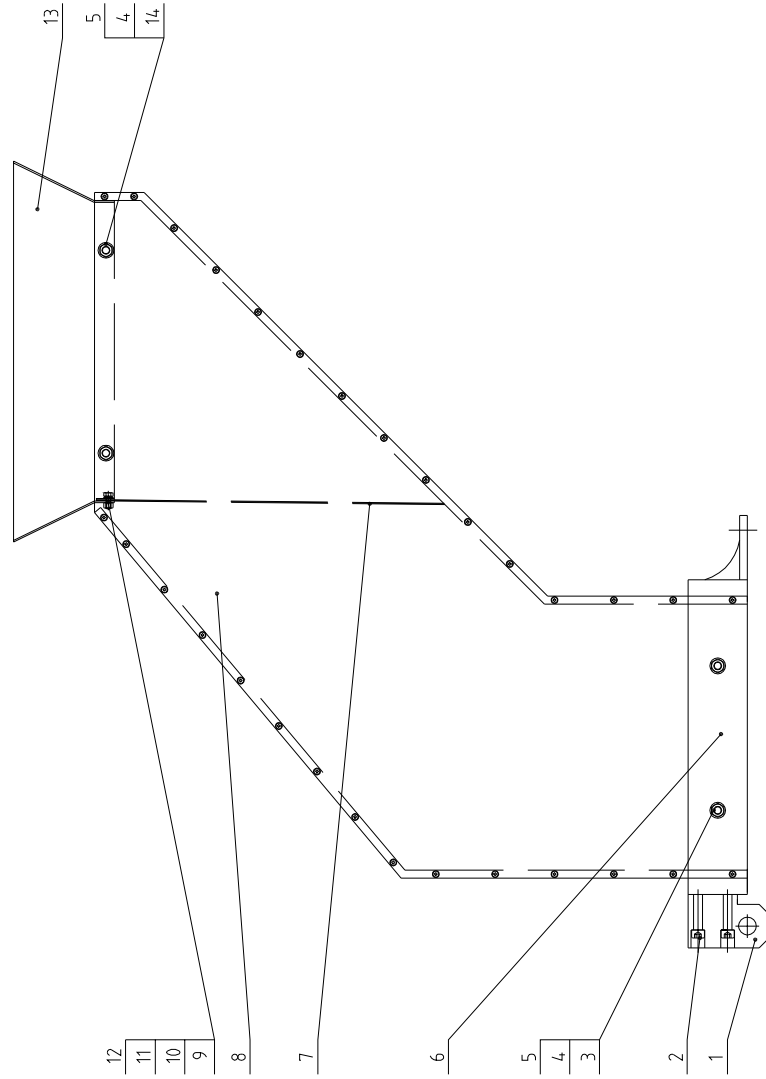

SHINI 信易电热机械股份有限公司
 Shini Plastics Technologies, Inc.



NO.	Code	Name	Texture	Qty	Remark
28	YW61082000100	Inner hexagon countersunk head screw GB/T70.3 M6x20-L29-Longzine		10	
27	SG-24-N-A-06	Middle plate 2	4.5	2	
26	SG-24-N-A-05	Middle plate 1	4.5	2	
25	SG-24-N-A-10	Right bearing holder at top	Q235A	1	
24	SG-24-N-A-08	Right bearing base	QT500-7	1	
23	YW66081600000	Flat washer A GB/T918-Longzine		4	
22	YW65008000100	Standard spring washer GB/T918-Longzine		8	
21	YW61081600000	Inner hexagon cylindrical screw GB/T70.1 M6x16-L29-Longzine		10	
20	YW69012700000	Elastic ring for hole use I20	65Mh	2	
19	SG-24.27N-A-07	Flat key 16x9x4.54	4.5	1	
18	SG-24-T-A-42	Right shaft sleeve	QT500-7	1	
17	SG-24.27N-A-01	Main shaft	40Cr	1	
16	YW61061200000	Inner hexagon cylindrical screw GB/T70.1 M6x12-L29-Longzine		2	
15	SG-24-N-A-36	Coupler pad	Q235A	1	
14	YW11000900300	Shaft coupler X3001-300-64.0-PMH-E70		1	
13	SG-24-N-A-35	Bearing blocking cover plate	SPCC15	1	
12	SG-24-N-A-12	Right bearing holder at bottom	Q235A	1	
11	SG-24-N-A-11	Left bearing holder at bottom	Q235A	1	
10	YW65012000000	Standard spring washer GB/T918-Longzine		2	
9	YW61122000000	Inner hexagon cylindrical screw GB/T70.1 M6x22-L29-Longzine		2	
8	SG-24-N-A-25	Washer	Q235A	1	
7	YW65020000000	Standard spring washer GB/T918-Longzine		2	
6	YW61204500000	Inner hexagon cylindrical screw GB/T70.1 M6x20.5-L29-Longzine		2	
5	SG-24-N-A-03	Left shaft sleeve	QT500-7	1	
4	YW11621300000	Bearing 6213 DDU/VV	GCr15	2	
3	SG-24-N-A-02	Bearing cap	SPCC12	1	
2	SG-24-N-A-07	Left bearing base	QT500-7	1	
1	SG-24-N-A-09	Left bearing holder at top	Q235A	1	

NO.	Code	Name	Texture	Qty	Remark
55	SG-24-N-A-27	Widened fixed front blade F2	SKD11	1	Option
54	SG-24-N-A-26	Widened fixed front blade F1	SKD11	2	Option
53	YW61122500000	Inner hexagon cylindrical screw GB/T70.1 M6x25-L29-Longzine		6	
52	YW61103000100	Inner hexagon cylindrical screw GB/T70.1 M6x30-L29-Longzine		20	
51	YW69123500000	Elastic round pin Ix-35	65Mh	12	
50	YW61013500000	Inner hexagon cylindrical screw GB/T70.1 M6x35-L29-Longzine		2	
49	SG-24-N-A-17	Rotate block of feed box 2	Q235A	2	
48	SG-24-N-A-22	Fixed rear blade B	SKD11	3	Option
47	SG-24.27N-A-04	Front case block at top	QT500-7	1	
46	YW60103000200	External hexagonal bolt GB/T5783 M10x30-L29-Longzine		6	
45	SG-24-N-A-13	Rotate block of chamber 1	Q235A	2	
44	YW61104500000	Inner hexagon cylindrical screw GB/T70.1 M6x45-L29-Longzine		2	
43	SG-24.27N-A-02	Front case block at bottom	Q235A	1	
42	YW66082200100	Big gasket GB/T9888 42x42	1L-0HV	4	
41	SG-24-N-A-15	Chamber spindle	Q235A	2	
40	YW61104000200	Inner hexagon cylindrical screw GB/T70.1 M6x40-L29-Longzine		2	
39	YW61102500000	Inner hexagon cylindrical screw GB/T70.1 M6x25-L29-Longzine		6	
38	SG-24-N-A-14	Rotate block of chamber 2	Q235A	2	
37	YW61081200000	Inner hexagon cylindrical screw GB/T70.1 M6x12-L29-Longzine		8	
36	SG-24.27N-A-03	Back case block at bottom	Q235A	1	
35	BW20012000140	Handle 120x8	AL	1	
34	YW60103500200	Hexagon bolt GB/T5783 M10x30-L29-Longzine		6	
33	SG-24.27N-A-05	Back case block at top	Q1500-7	1	
32	SG-24-N-A-21	Fixed front blade F2	SKD11	1	Standard
31	SG-24-N-A-20	Fixed front blade F1	SKD11	2	Standard
30	SG-24-N-A-23	Teeth cutter R	SKD11	3	Standard
29	SG-24-N-A-24	Staggered blade	SKD11	2	

标题	料號	圖號	比例	數量	1
料號	SG-24.27N	圖號	比例	數量	1
名稱	SG-24.27N	圖號	比例	數量	1
設計	核	日期	表面要求	材質	
校對	日期	日期	表面要求	材質	
更改前	更改人	更改日期	表面要求	材質	
更改后	更改人	更改日期	表面要求	材質	
标记	更改前	更改人	表面要求	材質	
标记	更改后	更改人	表面要求	材質	
标记	更改前	更改人	表面要求	材質	
标记	更改后	更改人	表面要求	材質	



NO	Code	Name	Remark	Qty	Texture	Remark
9	SG-24.17N-B-06	Material tender pressing plate		1	SPCC15	
8	SG-24.27N-B-04	Feed box		1		
7	SG-24.27N-B-03	Material tender		1		
6	SG-24.27N-B-01	Feed box base		1		
5	YW64.0008000100	Non metal insert of hexagon locknut GB/T8991M8		12		
4	YW660816000000	Flat washer A GB/T918		24		
3	YW61084.000100	Inner hexagon cylindrical screw GB/T70.1H6-g0.24.legre		8		
2	YW61085.000000	Non metal insert of hexagon locknut GB/T8991M6		4		
1	SG-24N-B-01	Flat washer A GB/T915.legre		2	Q235A	

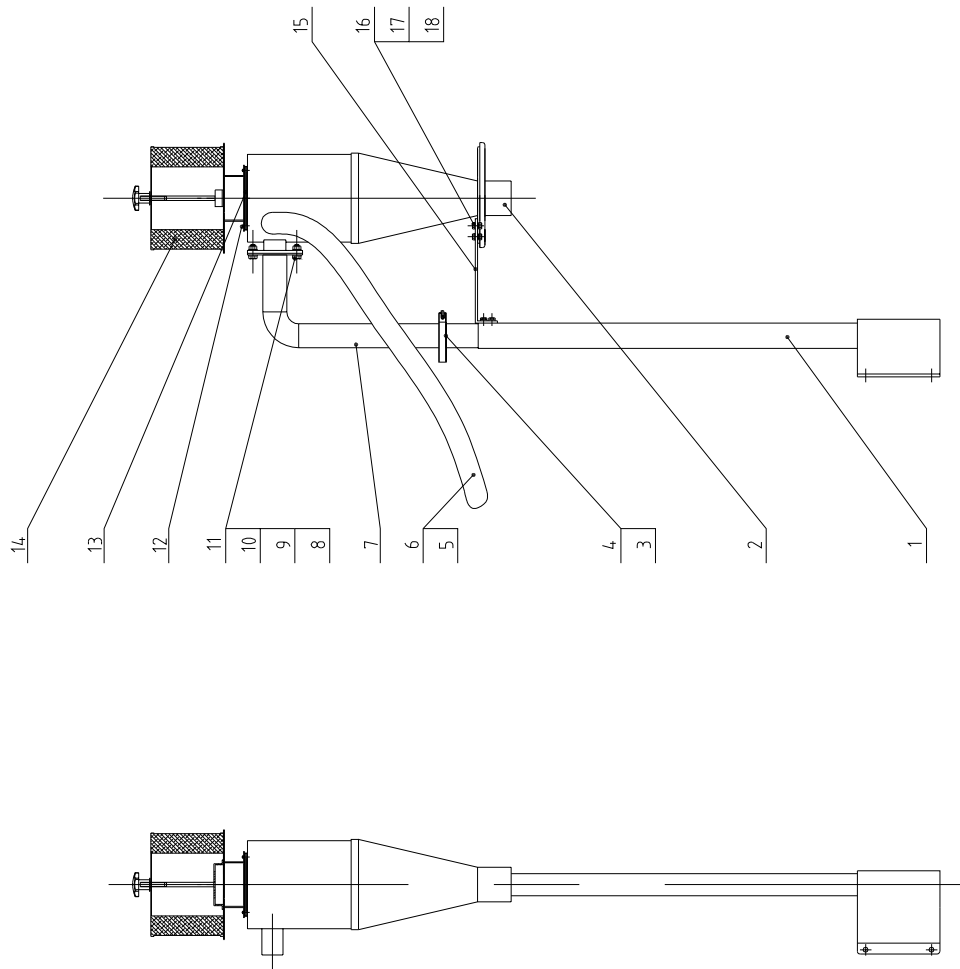
NO	Code	Name	Remark	Qty	Texture	Remark
14	YW61082500200	Inner hexagon round head screw GB/T02186-g0.25-1.0mg/zn		4		
13	SG-24.27N-B-05	Feed port		1	SPCC15	
12	YW61051200100	Inner hexagon cylindrical screw GB/T70.1H6-g0.12.4.legre		3		
11	YW64.0005000000	Non metal insert of hexagon locknut GB/T8991M6		3		
10	YW660510000000	Flat washer A GB/T915.legre		3		

NO	Code	Name	Remark	Qty	Texture	Remark
1	SG-24.27N-B-ALL	Feed Box Assembly		15		

SHINI 信易電熱機械股份有限公司
 Shini Plastics Technologies, Inc.

标记	更改前	更改后	更改人	日期	校核	日期

比例	数量	材质
1:1	15	SPCC15



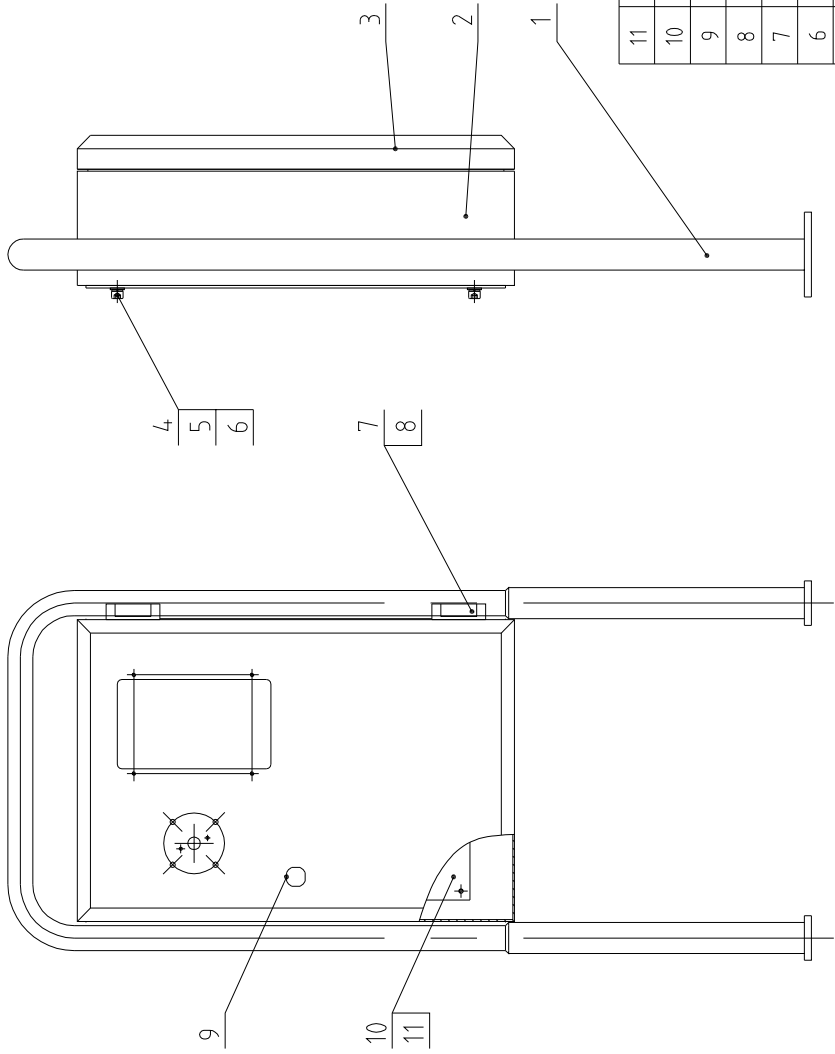
NO	Code	Name	Quantity	Unit	Remarks
18	YW65006000100	Standard spring washer Ø10x14mm	60Mh	4	
17	YW66061300000	Flat washer Ø10x14x1.5mm	14.0HV	4	
16	YW60061500100	Hexagon bolt Ø10x14x1.5mm		4	
15	SG-16-F-09	Support plate	SPH4	1	
14	SG-16-H-03	Filter		1	
13	SG-16-H-02	Filter screen		1	
12	YW61051000200	Cross socket head cap screw M5x10	4, 8	4	
11	YW65008000100	Standard spring washer Ø10x14mm	65Mh	4	
10	YW644080600000	Hexagon nut Ø10x14x1.5mm	4, 8	4	
9	YW660816000000	Flat washer Ø10x14mm	14.0HV	8	
8	YW60082000200	Hexagon bolt Ø10x14x1.5mm		4	
7	SG-16Z8N-H-02	Upper support		1	
6	YW02000200000	Stainless steel clamp 2"		2	
5	YR601570000000	Steel wire plastic panel 5"		1	15m
4	YR200015000000	Food joint seal ring 1.5"		1	
3	YW070015005000	1.5" Food joint pipe clamp		1	
2	SG-24Z7N-E-02	BC cyclone main body		1	
1	SG-24Z7N-E-01	Lower support		1	

比例	数量	材质	表面要求	物料号
1:1	19			

标准	图号	版号	核准	日期
SG-24Z7N Cyclone Dust Collector Assembly	SG-24Z7N-E-ALL			

标记	更改前	更改后	更改人	日期	审核

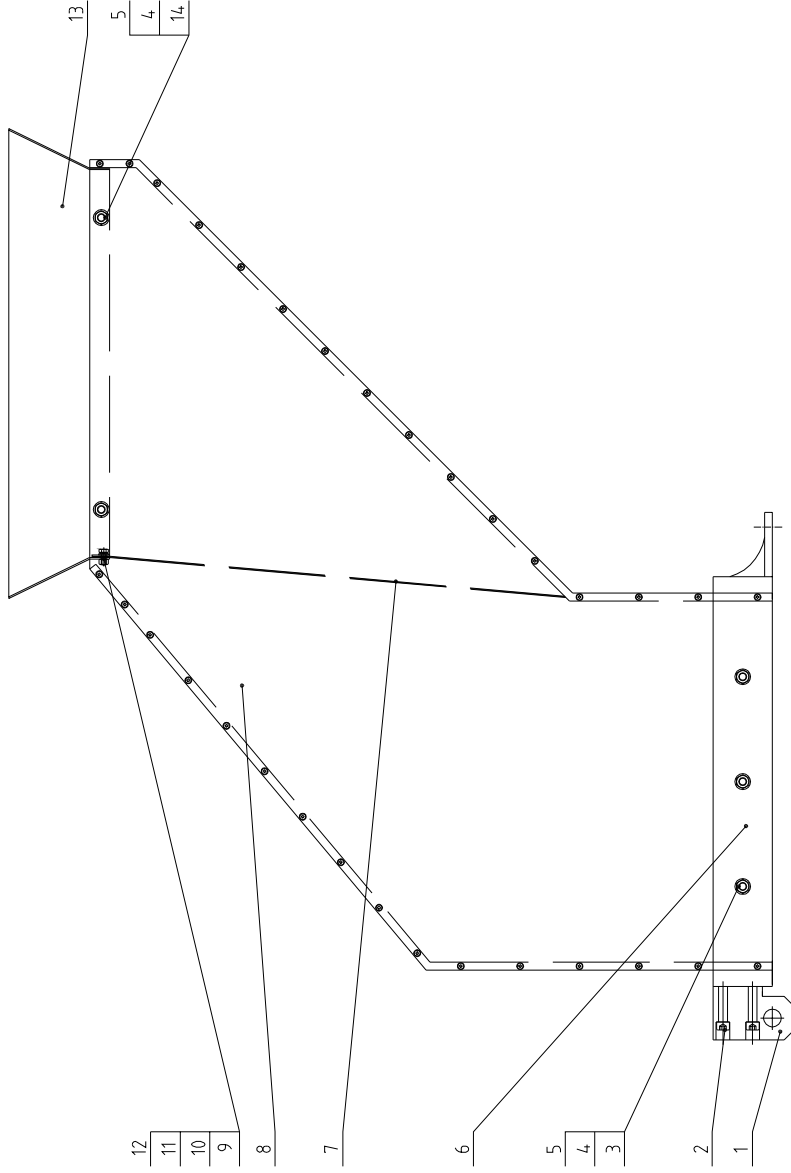
SHINI 信易电热机械股份有限公司
Shini Plastics Technologies, Inc.



11	YW64.000500000	Non metal insert of hexagon locknut GB1889.1146	4		
10	SG-2427N-D-07	Electrical fixing plate	1	SECC1.5	
9	YW00816100000	Door lock(MS816-1) with black key	1		
8	YW62051000100	Gross recessed raised countersunk head screw JIS1111M6x10--Longzine	8		
7	YW06219100000	Big hinge CL219-1	2		
6	YW66081600000	Flat washer A GB19114-Longzine	4		
5	YW65008000100	Standard spring washer GB19312-Longzine	4		
4	YW61082001200	Inner hexagon cylindrical screw GB1770.1M6x20-12.9-Longzine	4		
3	SG-2427N-D-06	Door plank	1	SPCC2.0	
2	SG-2427N-D-04	Control box body	1	SPCC2.0	
1	SG-2427N-D-08	Control box mounting rack	1		
NO	Code	Name	Texture	Qty	Remark

标题		图号	比例		数量	1	1
SG-2427N		SG-2427N-D-ALL	1:8	数量	18	1	
Control Box Assembly				材质			
版号		核准	表面要求		物料号		
日期		日期	物		料		
制图		设计	面		号		
校核		校对	要		求		
审核		审核	求		号		
更改人		更改后	求		号		
日期		更改前	求		号		
更改后		更改前	求		号		
更改前		更改前	求		号		
标记		更改前	求		号		



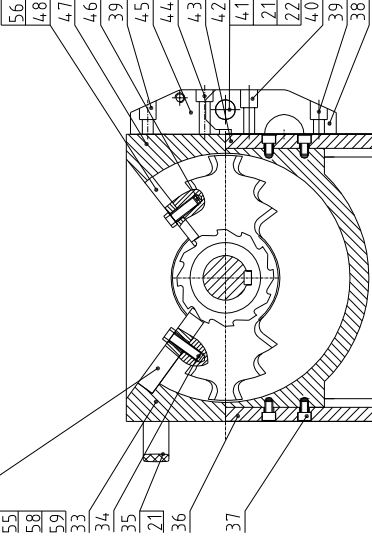
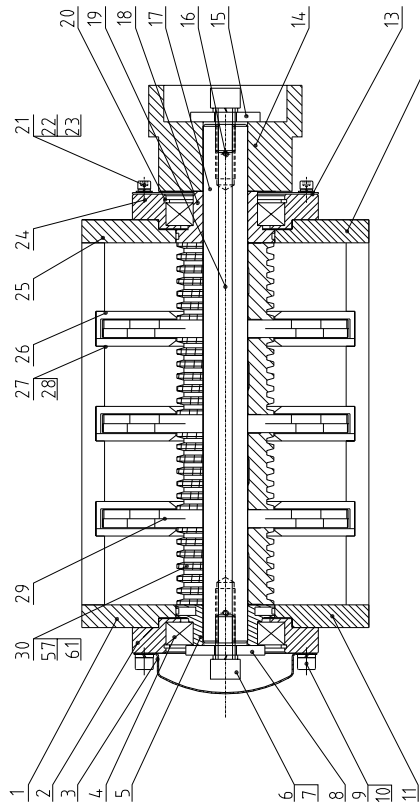


9	SG-24.17N-B-06	Material fender pressing plate	SPCC15	1
8	SG-24.36N-B-04	Feed box		1
7	SG-24.36N-B-03	Material fender		1
6	SG-24.36N-B-01	Feed box base		1
5	YW64.000800100	Non metal insert of hexagon locknut GB/T8821M6		14
4	YW66081600000	Flat washer A(GB/T918.1)mm		28
3	YW61084.000100	Inner hexagon cylindrical screw GB/T701M6x2.9-Lonqzine		10
2	YW61085.000000	Inner hexagon cylindrical screw GB/T701M6x5.29-Lonqzine		4
1	SG-24N-B-01	Relate block of feed box 1	Q235A	2
		Name	Texture	Qty
		NO.	Code	Remark

14	YW61082500200	Inner hexagon round head screw GB/T702M6x2.9-Lonqzine	4	
13	SG-24.36N-B-05	Feed port	SPCC15	1
12	YW61051200100	Inner hexagon cylindrical screw GB/T701M6x2.9-Lonqzine	3	
11	YW64.000500000	Hexagon nut M6,allsize	3	
10	YW66051000000	Flat washer A(GB/T915.1)mm	3	
		Name	Texture	Qty
		NO.	Code	Remark

标准		SG-24.36N	图号	15	数量	1
Feed Box Assembly		SG-24.36N-B-ALL			材质	
标记	更改前	更改后	更改人	日期	表面要求	物料号
					叉	

SHINI 信易电热机械股份有限公司
Shini Plastics Technologies, Inc.



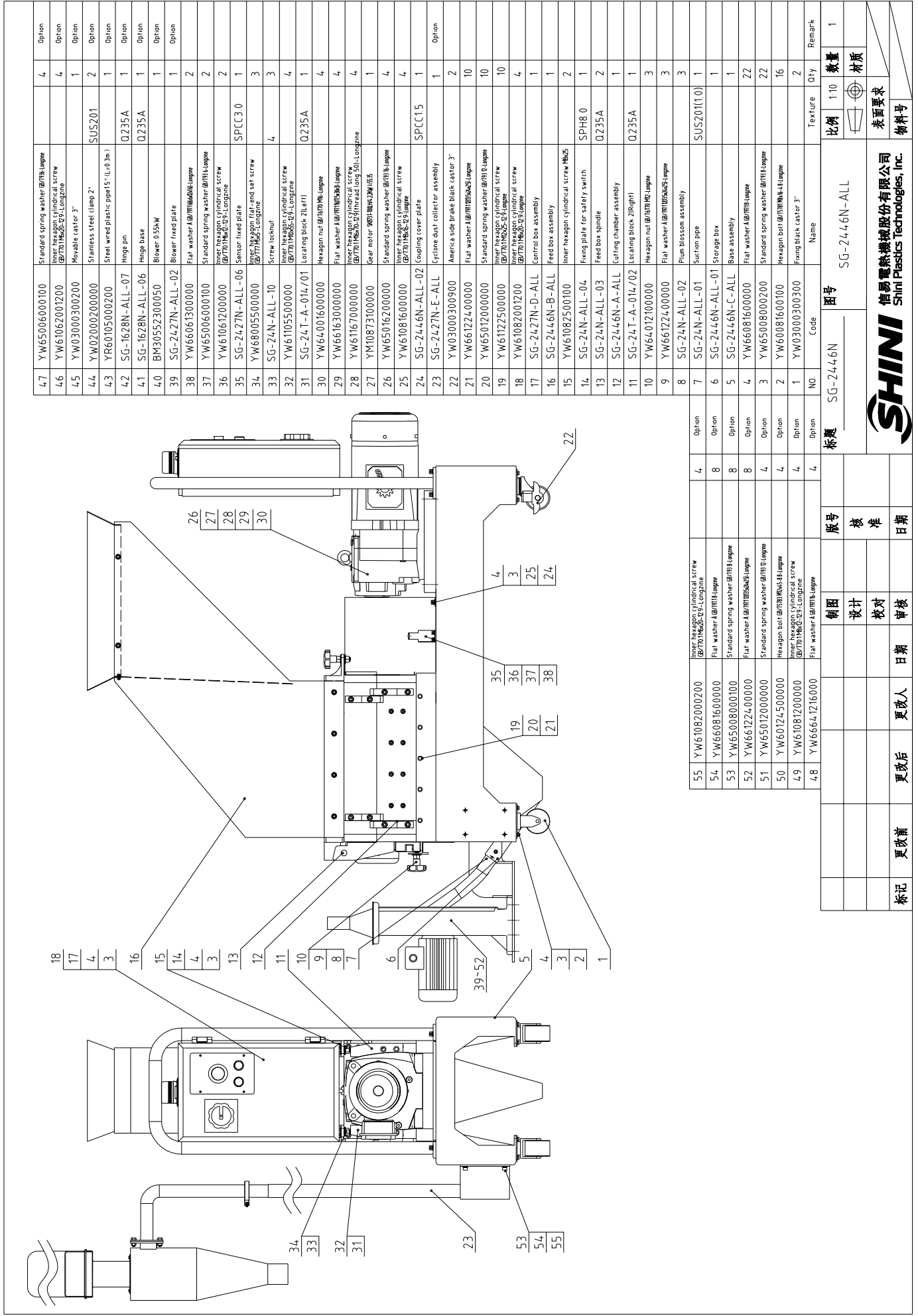
Item No.	Description	Option	Material	Quantity	Remarks
1	Widened fixed front blade F2	SKD11	SKD11	2	
2	Widened fixed front blade F1	SKD11	SKD11	2	
3	Inner hexagon cylindrical screw		GB/T11062-19-Longzine	6	
4	Inner hexagon cylindrical screw		GB/T11062-19-Longzine	20	
5	Elastic round pin 12x35		65Mn	12	
6	Inner hexagon cylindrical screw		GB/T11062-19-Longzine	2	
7	Elastic block of feed box 2		Q235A	2	
8	Fixed rear blade B	SKD11	SKD11	4	
9	Front case block at top		SG-24-T-A-42	1	
10	External hexagonal bolt		GB/T5383-10x30-L Longzine	8	
11	Rotate block of chamber 1		Q235A	2	
12	Inner hexagon cylindrical screw		GB/T11062-19-Longzine	2	
13	Front case block at bottom		Q235A	1	
14	Big gasket (GB/T9888.4-24x2)			4	
15	Chamber spindle		Q235A	2	
16	Inner hexagon cylindrical screw		GB/T11062-19-Longzine	2	
17	Inner hexagon cylindrical screw		GB/T11062-19-Longzine	6	
18	Rotate block of chamber 2		Q235A	2	
19	Back case block at bottom		Q235A	12	
20	Handle 120x8		AL	1	
21	Hexagon bolt (GB/T9888.4-19-Longzine)			8	
22	Back case block at top		Q1500-7	1	
23	Back case block at top		Q1500-7	1	
24	Fixed front blade F2	SKD11	SKD11	2	
25	Fixed front blade F1	SKD11	SKD11	2	
26	Teeth cutter R	SKD11	SKD11	4	
27	Teeth cutter R	SKD11	SKD11	4	
28	Widened fixed rear blade B	SKD11	SKD11	4	
29	Narrow teeth cutter R	SKD11	SKD11	4	
30	Narrow fixed rear blade B	SKD11	SKD11	4	
31	Narrow fixed front blade F2	SKD11	SKD11	2	
32	Narrow fixed front blade F1	SKD11	SKD11	2	
33	Widened fixed rear blade B	SKD11	SKD11	4	
34	Narrow fixed rear blade B	SKD11	SKD11	4	
35	Narrow fixed front blade F2	SKD11	SKD11	2	
36	Narrow fixed front blade F1	SKD11	SKD11	2	
37	Widened teeth cutter R	SKD11	SKD11	4	
38	Widened fixed rear blade B	SKD11	SKD11	4	
39	Inner hexagon countersunk head screw (GB/T10316x20-19-Longzine)			15	
40	Middle plate 2		45	3	
41	Middle plate 1		45	3	
42	Right bearing holder at top		Q235A	1	
43	Right bearing base		Q1500-7	1	
44	Flat washer 1 (GB/T918-Longzine)			4	
45	Standard spring washer (GB/T918-Longzine)			8	
46	Inner hexagon cylindrical screw (GB/T11062-19-Longzine)			10	
47	Elastic ring for hole use 120			2	
48	Flat key		45	1	
49	Right shaft sleeve		Q1500-7	1	
50	Main shaft		40Cr	1	
51	Inner hexagon cylindrical screw (GB/T11062-19-Longzine)			2	
52	Coupler pad		Q235A	1	
53	Shaft coupler (X901-40D-50-79H-L=70)			1	
54	Bearing blocking cover plate		SPCC15	1	
55	Right bearing holder at bottom		Q235A	1	
56	Left bearing holder at bottom		Q235A	1	
57	Standard spring washer (GB/T918-Longzine)			2	
58	Inner hexagon cylindrical screw (GB/T11062-19-Longzine)			2	
59	Washer		Q235A	1	
60	Standard spring washer (GB/T918-Longzine)			2	
61	Inner hexagon cylindrical screw (GB/T11062-19-Longzine)			2	
62	Left shaft sleeve		Q1500-7	1	
63	Bearing 4213 DDU/VV		GCr15	2	
64	Bearing cap		SPCC12	1	
65	Left bearing base		Q1500-7	1	
66	Left bearing holder at top		Q235A	1	

Version	Design	Check	Date	Mark	Change	Change Date	Change Person	Check	Date	Check	Date	Check	Date
1													

标准 SG-24-36N
 Cutting Chamber Assembly
 图号 SG-24-36N-A-ALL

 SHINI 信易电热机械股份有限公司
 Shini Plastics Technologies, Inc.

比例	数量	材质	表面要求	物料号
1:5	15			



47	YW65006000100	Standard spring washer @M3xLupine			4	Option
46	YW61062001200	Inner hexagon cylindrical screw @D70.1M6x2.0-Longzine			4	Option
45	YW03000300200	Movable castor 3"			1	Option
44	YW02000200000	Stainless steel clamp 2"	SUS201		2	Option
43	YR60105000200	Steel wired plastic pipe15"(L:0.3m)			1	Option
42	SG-1628N-ALL-07	Hinge pin	Q235A		1	Option
41	SG-1628N-ALL-06	Hinge base	Q235A		1	Option
40	BM30552300050	Blower 0.55KW			1	Option
39	SG-24.27N-ALL-02	Blower fixed plate			1	Option
38	YW66061300000	Flat washer @D110x16x1.5upine			2	
37	YW65006000100	Standard spring washer @M3xLupine			2	
36	YW61061200000	Inner hexagon cylindrical screw @D70.1M6x2.0-Longzine			2	
35	SG-24.27N-ALL-06	Sensor fixed plate	SPCC30		1	
34	YW68005500000	Inner hexagon flat-end set screw @D70.1M6x2.0-Longzine			3	
33	SG-24N-ALL-10	Screw locknut			3	
32	YW61105500000	Inner hexagon cylindrical screw @D70.1M6x2.0-Longzine			4	
31	SG-24T-A-014/01	Locating block ZLeft	Q235A		1	
30	YW64001600000	Hexagon nut @D110x16x1.5upine			4	
29	YW66163000000	Flat washer @D110x16x1.5upine			4	
28	YW61161700000	Inner hexagon cylindrical screw @D70.1M6x2.0-Longzine			4	
27	YM108173100000	Gear motor 90P1.0W1.2W1.5S			1	
26	YW65016200000	Standard spring washer @M3xLupine			4	
25	YW61081600000	Inner hexagon cylindrical screw @D70.1M6x2.0-Longzine			4	
24	SG-24.46N-ALL-02	Coupling cover plate	SPCC15		1	
23	SG-24.27N-E-ALL	Cyclone dust collector assembly			1	Option
22	YW03000300900	America side brake castor 3"			2	
21	YW66122400000	Flat washer @D110x16x1.5upine			10	
20	YW65012000000	Standard spring washer @M3xLupine			10	
19	YW61122500000	Inner hexagon cylindrical screw @D70.1M6x2.0-Longzine			10	
18	YW61082001200	Inner hexagon cylindrical screw @D70.1M6x2.0-Longzine			4	
17	SG-24.27N-D-ALL	Control box assembly			1	
16	SG-24.46N-B-ALL	Feed box assembly			1	
15	YW61082500100	Inner hexagon cylindrical screw M6x5			2	
14	SG-24N-ALL-04	Fixing plate for safety switch	SPH8.0		1	
13	SG-24N-ALL-03	Feed box spindle	Q235A		2	
12	SG-24.46N-A-ALL	Cutting chamber assembly			1	
11	SG-24T-A-014/02	Locating block ZRight	Q235A		1	
10	YW64012100000	Hexagon nut @D110x16x1.5upine			3	
9	YW66122400000	Flat washer @D110x16x1.5upine			3	
8	SG-24N-ALL-02	Plum blossom assembly			3	
7	SG-24N-ALL-01	Suction pipe	SUS201(1.0)		1	
6	SG-24.46N-ALL-01	Storage box			1	
5	SG-24.46N-C-ALL	Base assembly			1	
4	YW66081600000	Flat washer @D110x16x1.5upine			22	
3	YW65008000200	Standard spring washer @M3xLupine			22	
2	YW60081600100	Hexagon bolt @D110x16x1.5upine			16	
1	YW03000300300	Fixing black castor 3"			2	

55	YW61082000200	Inner hexagon cylindrical screw @D70.1M6x2.0-Longzine			4	Option
54	YW66081600000	Flat washer @D110x16x1.5upine			8	Option
53	YW65008000100	Standard spring washer @M3xLupine			8	Option
52	YW66122400000	Flat washer @D110x16x1.5upine			8	Option
51	YW65012000000	Standard spring washer @M3xLupine			4	Option
50	YW60124500000	Hexagon bolt @D110x16x1.5upine			4	Option
49	YW61081200000	Inner hexagon cylindrical screw @D70.1M6x2.0-Longzine			4	Option
48	YW66641216000	Flat washer @D110x16x1.5upine			4	Option

比例	1:10	数量	1
表面要求		材质	
物料号			

SG-24.46N-ALL

桥通 SG-24.46N 版号 核准 日期

SHINI 信易电热机械股份有限公司
Shini Plastics Technologies, Inc.

标记 更改前 更改后 更改人 日期 审核 日期

