

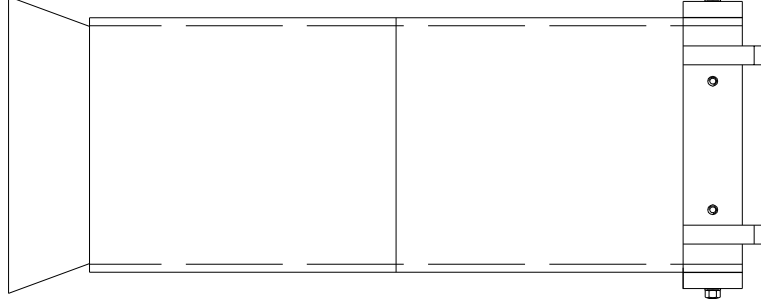
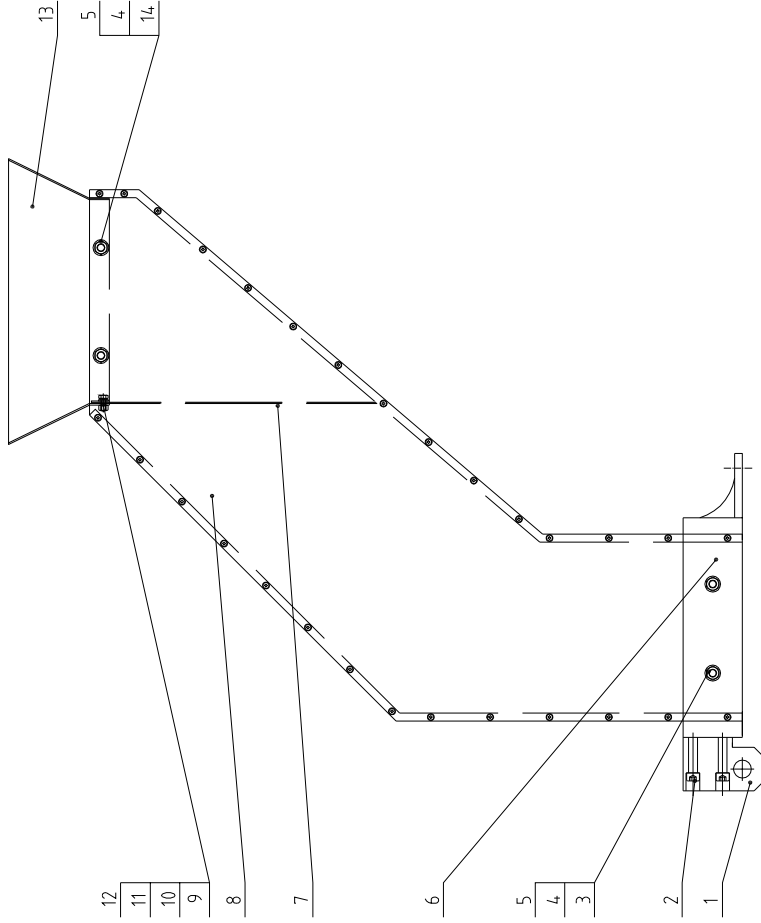
53	SG-2427N-E-ALL	Cyclone dust collector assembly	1	Option	
52	YW61082000200	Inner hexagon cylindrical screw (Ø170) M6x25-L25-1.0mm	4	Option	
51	YW66081600000	Flat washer A (Ø178)	8	Option	
50	YW65008000100	Standard spring washer (Ø193)	8	Option	
49	YW66122400000	Flat washer A (Ø191) M6x24-1.0mm	8	Option	

48	YW65012000000	Standard spring washer (Ø193)	4	Option	
47	YW60124500000	Hexagon bolt (Ø158) M6x5-8mm	4	Option	
46	YW61081200000	Inner hexagon cylindrical screw (Ø170) M6x25-L25-1.0mm	4	Option	
45	YW6666412160000	Flat washer A (Ø178)	4	Option	
44	YW65006000100	Standard spring washer (Ø193)	4	Option	
43	YW61062001200	Inner hexagon cylindrical screw (Ø170) M6x25-L25-1.0mm	4	Option	
42	YW03000300200	Movable castor 3"	1	Option	
41	YW02000200000	Stainless steel clamp 2"	2	Option	
40	YR60105000200	Steel wired plastic pipe15" (L=0.3m)	1	Option	
39	SG-1628N-ALL-07	Hinge pin	1	Option	
38	SG-1628N-ALL-06	Hinge base	1	Option	
37	BM30552300050	Blower 0.55kW	1	Option	
36	SG-2427N-ALL-02	Blower fixed plate	1	Option	
35	YW66061300000	Flat washer A (Ø186) M6x18-1.0mm	2		
34	YW65006000100	Standard spring washer (Ø193)	2		
33	YW61061200000	Inner hexagon cylindrical screw (Ø170) M6x25-L25-1.0mm	2		
32	SG-2427N-ALL-06	Sensor fixed plate	1		
31	YW68005000000	Inner hexagon flat-end set screw (Ø177) M6x25-L25-1.0mm	3		
30	SG-24N-ALL-10	Screw locknut	4		
29	YW61105500000	Inner hexagon cylindrical screw (Ø170) M6x25-L25-1.0mm	4		
28	SG-24T-A-014/01	Locating block Z(Leff)	1		
27	YM10572100500	Gear motor SK572 1-80H/4	1		
26	YW61123500000	Inner hexagon cylindrical screw (Ø170) M6x25-L25-1.0mm	8		
25	SG-2427N-ALL-05	Gear motor mounting base	1		
24	YW61081600000	Inner hexagon cylindrical screw (Ø170) M6x25-L25-1.0mm	4		
23	SG-2427N-ALL-04	Coupling cover plate	1		
22	YW03000300900	America side brake block castor 3"	2		
21	YW66122400000	Flat washer A (Ø191) M6x24-1.0mm	12		
20	YW65012000000	Standard spring washer (Ø193)	12		
19	YW61122500000	Inner hexagon cylindrical screw (Ø170) M6x25-L25-1.0mm	4		
18	YW61082001200	Inner hexagon cylindrical screw (Ø170) M6x25-L25-1.0mm	8		
17	SG-2427N-D-ALL	Control box assembly	1		
16	SG-2417N-B-ALL	Feed box assembly	1		
15	YW61082500100	Inner hexagon cylindrical screw (Ø170) M6x25-L25-1.0mm	2		
14	SG-24N-ALL-04	Fixing plate for safety switch	1		
13	SG-24N-ALL-03	Feed box spindle	2		
12	SG-2417N-A-ALL	Cutting chamber assembly	1		
11	SG-24T-A-014/02	Locating block Z(Right)	1		
10	YW64012100000	Hexagon nut (Ø160) M6-L-1.0mm	3		
9	YW66122400000	Flat washer A (Ø191) M6x24-1.0mm	3		
8	SG-24N-ALL-02	Plum Blossom assembly	3		
7	SG-24N-ALL-01	Suction pipe	1		
6	SG-2417N-ALL-01	Storage box	1		
5	SG-2417N-C-ALL	Base assembly	1		
4	YW66081600000	Flat washer A (Ø178)	26		
3	YW65008000200	Standard spring washer (Ø193)	26		
2	YW60081600100	Hexagon bolt (Ø158) M6x16-1.0mm	16		
1	YW03000300500	Fixing black castor 3"	2		

图号	SG-2417N-ALL
名称	Assembly
比例	1:1
数量	19
材质	
表面要求	
物料号	

SHINI 信易塑料机械股份有限公司  
Shini Plastics Technologies, Inc.

标记	更改前	更改后	更改人	日期
制图				
设计				
校对				
审核				
版号				
核准				
日期				

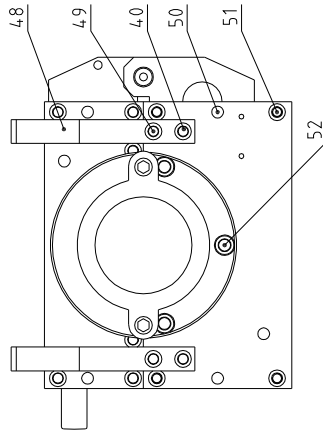
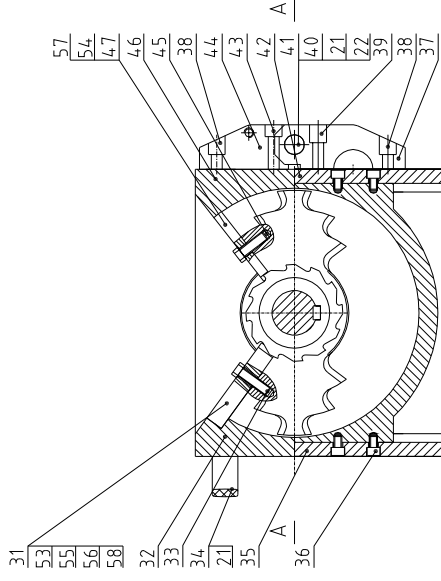
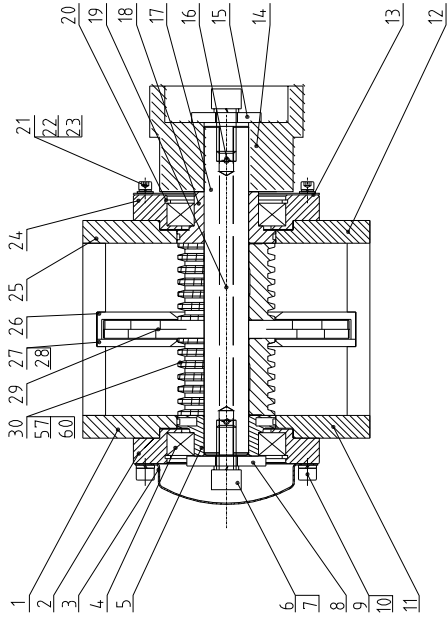


9	SG-24.17N-B-06	Material tender pressing plate	SPCC15	1	
8	SG-24.17N-B-04	Feed box		1	
7	SG-24.17N-B-03	Material tender		1	
6	SG-24.17N-B-01	Feed box base		1	
5	YW64.0008000100	Non metal insert of hexagon locknut GB/T8991M8		12	
4	YW660816000000	Flat washer A(GB/T1818,logtype)		24	
3	YW61084.000100	Inner hexagon round head screw GB/T0218x0.4-29-Longzine		8	
2	YW61085.000000	Inner hexagon cylindrical screw locknut GB/T0188x0.4-29-Longzine		4	
1	SG-24N-B-01	Plate block of feed box 1	Q235A	2	
Name			Texture	Dty	Remark
NO			Code		
Name			Texture	Qty	Remark
NO			Code		

14	YW61082500200	Inner hexagon round head screw GB/T0218x0.4-29-Longzine		4	
13	SG-24.17N-B-05	Feed port	SPCC15	1	
12	YW61051200100	Inner hexagon cylindrical screw locknut GB/T0188x0.4-29-Longzine		3	
11	YW64.0005000000	Non metal insert of hexagon locknut GB/T8991M6		3	
10	YW660510000000	Flat washer A(GB/T1818,logtype)		3	
Name			Texture	Qty	Remark
NO			Code		
Name			Texture	Qty	Remark
NO			Code		

标准		SG-24.17N	图号	
Feed Box Assembly		SG-24.17N-B-ALL		
标记	更改前	更改后	更改人	日期
校核				
设计				
制图				
版号				
核准				
日期				
比例		1:5	数量	1
表面要求			材质	
物料号				

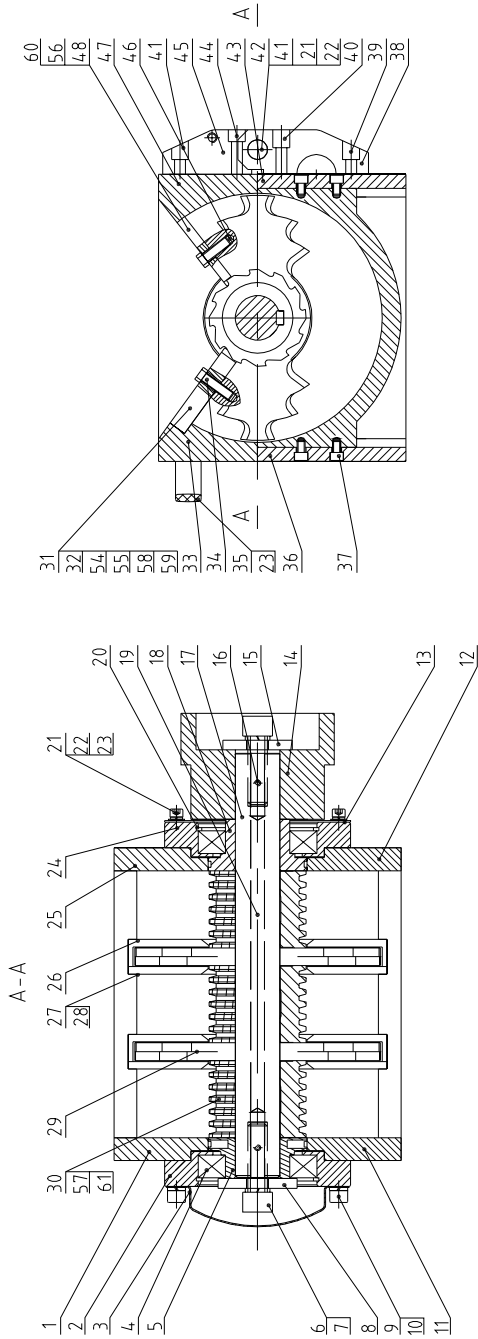




NO.	Code	Name	Quantity	Material	Texture	Remark
28	YW61082000100	Inner hexagon countersunk head screw GB/T03186.2-12.9-Longzine	1	45		5
27	SG-24-N-A-06	Middle plate 2	1	45		1
26	SG-24-N-A-05	Middle plate 1	1	45		1
25	SG-24-N-A-10	Right bearing holder at top	1	Q235A		1
24	SG-24-N-A-08	Right bearing base	1	Q1500-7		1
23	YW66081600000	Flat washer 1 @1918-Longzine	4			4
22	YW65008000100	Standard spring washer @1918-Longzine	8			8
21	YW61081600000	Inner hexagon cylindrical screw GB/T03186.6-12.9-Longzine	10	65Mn		10
20	YW69012700000	Elastic ring for hole use I20	2	65Mh		2
19	SG-24-17N-A-06	Flat key 14x9x332	1	45		1
18	SG-24-T-A-42	Right shaft sleeve	1	Q1500-7		1
17	SG-24-17N-A-01	Main shaft	1	40Cr		1
16	YW61061200000	Inner hexagon cylindrical screw GB/T03186.6-12.9-Longzine	2			2
15	SG-24-N-A-36	Coupler pad	1	Q235A		1
14	YW11000900300	Shaft coupler X90E-300-63(L=1918-70)	1			1
13	SG-24-N-A-35	Bearing blocking cover plate	1	SPCC15		1
12	SG-24-N-A-12	Right bearing holder at bottom	1	Q235A		1
11	SG-24-N-A-11	Left bearing holder at bottom	1	Q235A		1
10	YW65012000000	Standard spring washer @1918-Longzine	2			2
9	YW61122000000	Inner hexagon cylindrical screw GB/T03186.20-12.9-Longzine	2			2
8	SG-24-N-A-25	Washer	1	Q235A		1
7	YW65020000000	Standard spring washer @1918-Longzine	2			2
6	YW61204500000	Inner hexagon cylindrical screw GB/T03186.20-12.9-Longzine	2			2
5	SG-24-N-A-03	Left shaft sleeve	1	Q1500-7		1
4	YW11621300000	Bearing 6213 DDU/VV	2	GCr15		2
3	SG-24-N-A-02	Bearing cap	1	SPCC12		1
2	SG-24-N-A-07	Left bearing base	1	Q1500-7		1
1	SG-24-N-A-09	Left bearing holder at top	1	Q235A		1
58	SG-24-N-A-33	Narrow teeth cutter R	2	SKD11		2
57	SG-24-N-A-32	Narrow fixed rear blade B	2	SKD11		2
56	SG-24-N-A-30	Narrow fixed front blade F1	2	SKD11		2
55	SG-24-N-A-29	Widened teeth cutter R	2	SKD11		2
54	SG-24-N-A-28	Widened fixed rear blade B	2	SKD11		2
53	SG-24-N-A-26	Widened fixed front blade F1	2	SKD11		2
52	YW61122500000	Inner hexagon cylindrical screw GB/T03186.20-12.9-Longzine	6	65Mn		6
51	YW61103000100	Inner hexagon cylindrical screw GB/T03186.20-12.9-Longzine	20			20
50	YW69123500000	Elastic round pin I2x35	12			12
49	YW61103500000	Inner hexagon cylindrical screw GB/T03186.20-12.9-Longzine	2			2
48	SG-24-N-A-17	Rotate block of feed box 2	2	Q235A		2
47	SG-24-N-A-22	Fixed rear blade B	2	SKD11		2
46	SG-24-17N-A-04	Front case block at top	1	Q1500-7		1
45	YW60103000200	Ex16F631 hex36x95.31 bolt GB/15818.10x36-9.9-Longzine	4			4
44	SG-24-N-A-13	Rotate block of chamber 1	2	Q235A		2
43	YW61104500000	Inner hexagon cylindrical screw GB/T03186.20-12.9-Longzine	2			2
42	SG-24-17N-A-02	Front case block at bottom	1	Q235A		1
41	YW66082200100	Big gasket (GB/19818.1x24x2)	4			4
40	SG-24-N-A-15	Chamber spindle	2	Q235A		2
39	YW61104000200	Inner hexagon cylindrical screw GB/T03186.20-12.9-Longzine	2			2
38	YW61102500000	Inner hexagon cylindrical screw GB/T03186.20-12.9-Longzine	6			6
37	SG-24-N-A-14	Rotate block of chamber 2	2	Q235A		2
36	YW61081200000	Inner hexagon cylindrical screw GB/T03186.20-12.9-Longzine	4			4
35	SG-24-17N-A-03	Back case block at bottom	1	Q235A		1
34	BW20020001140	Handle I20x8	1	AL		1
33	YW60103500200	Hexagon bolt @15183Mh.8-19-Longzine	4			4
32	SG-24-17N-A-05	Back case block at top	1	Q1500-7		1
31	SG-24-N-A-20	Fixed front blade F1	2	SKD11		2
30	SG-24-N-A-23	Teeth cutter R	2	SKD11		2
29	SG-24-N-A-24	Staggered blade	1	SKD11		1

版号	核准	日期	标记	更改前	更改后	更改人	日期	审核	日期	制图	设计	校对	日期	版号	核准	日期	
标准	SG-24-17N	图号	SG-24-17N-A-ALL							标准	SG-24-17N	图号	SG-24-17N-A-ALL	15	数量	1	
Cutting Chamber Assembly													比例	1:1	材质	表面要求	物料号
													比例	1:1	材质	表面要求	物料号



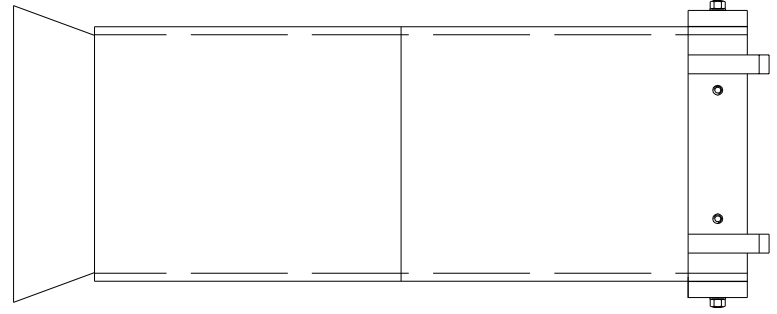
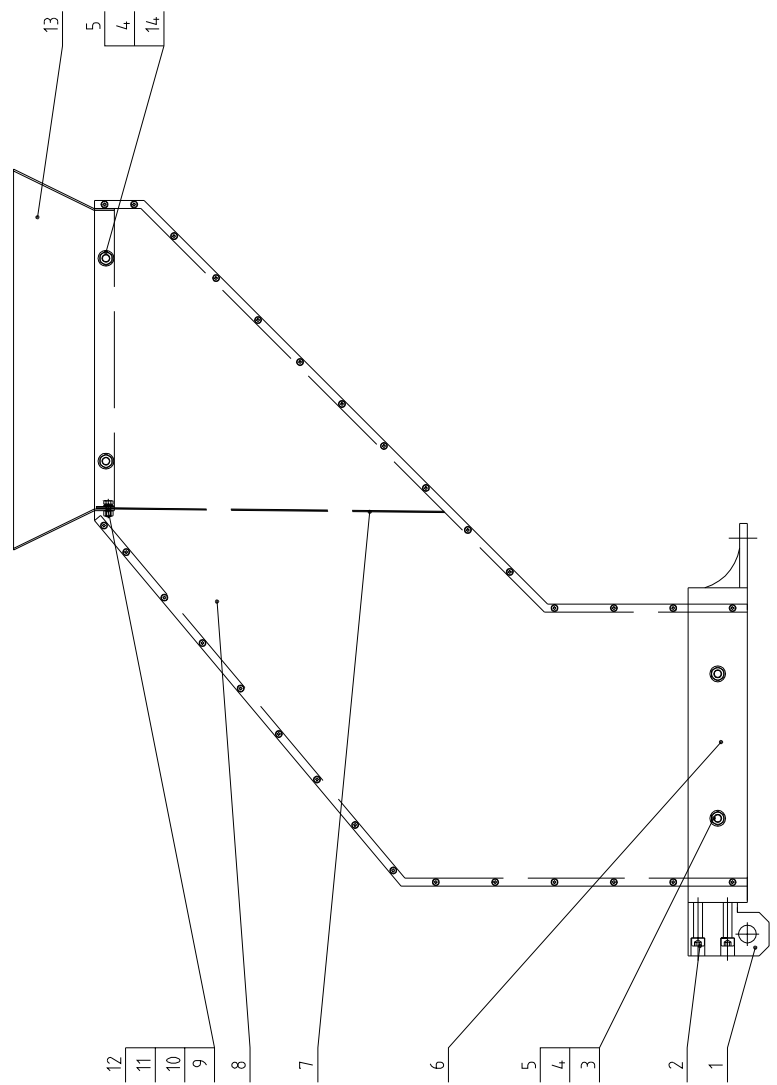


NO.	Name	Code	Material	Quantity	Remark
28	Inner hexagon countersunk head screw GB/T10318-2012-12.9-Longzine			10	
27	SG-24-N-A-06 Middle plate 2		4.5	2	
26	SG-24-N-A-05 Middle plate 1		4.5	2	
25	SG-24-N-A-10 Right bearing holder at top		Q235A	1	
24	SG-24-N-A-08 Right bearing base		Q1500-7	1	
23	YW66081600000 Flat washer A GB/T918-Longzine			4	
22	YW65008000000 Standard spring washer GB/T918-Longzine			8	
21	YW61081600000 Inner hexagon cylindrical screw GB/T10318-2012-12.9-Longzine			10	
20	YW69012700000 Elastic ring for hole use 120		65Mn	2	
19	SG-24.27N-A-07 Flat key 14x9x4.54		4.5	1	
18	SG-24-T-A-42 Right shaft sleeve		Q1500-7	1	
17	SG-24.27N-A-01 Main shaft		40Cr	1	
16	YW61061200000 Inner hexagon cylindrical screw GB/T10318-2012-12.9-Longzine			2	
15	SG-24-N-A-36 Coupler pad		Q235A	1	
14	YW11000900300 Shaft coupler X3001-300-94.0-19H-L=70			1	
13	SG-24-N-A-35 Bearing blocking cover plate		SPCC15	1	
12	SG-24-N-A-12 Right bearing holder at bottom		Q235A	1	
11	SG-24-N-A-11 Left bearing holder at bottom		Q235A	1	
10	YW65012000000 Standard spring washer GB/T918-Longzine			2	
9	YW61122000000 Inner hexagon cylindrical screw GB/T10318-2012-12.9-Longzine			2	
8	SG-24-N-A-25 Washer		Q235A	1	
7	YW65020000000 Standard spring washer GB/T918-Longzine			2	
6	YW61204500000 Inner hexagon cylindrical screw GB/T10318-2012-12.9-Longzine			2	
5	SG-24-N-A-03 Left shaft sleeve		Q1500-7	1	
4	YW11621300000 Bearing 6213 DDU/VV		GCr15	2	
3	SG-24-N-A-02 Bearing cap		SPCC12	1	
2	SG-24-N-A-07 Left bearing base		Q1500-7	1	
1	SG-24-N-A-09 Left bearing holder at top		Q235A	1	
NO.	Name	Code	Material <td>Quantity</td> <td>Remark</td>	Quantity	Remark
61	Narrow teeth cutter R	SKD11		15	数量
60	Narrow fixed rear blade B	SKD11		1	材质
59	Narrow fixed front blade F2	SKD11		1	表面要求
58	Narrow fixed front blade F1	SKD11		1	物料号
57	Widened teeth cutter R	SKD11		1	
56	Widened fixed rear blade B	SKD11		1	
34	YW60103500200 Hexagon bolt GB/T918-M10x1.5-L=100-Longzine				
33	SG-24.27N-A-05 Back case block at top		Q1500-7		
32	SG-24-N-A-21 Fixed front blade F2		SKD11		
31	SG-24-N-A-20 Fixed front blade F1		SKD11		
30	SG-24-N-A-23 Teeth cutter R		SKD11		
29	SG-24-N-A-24 Staggered blade		SKD11		
35	BW20012000140 Handle 120x8		AL		
36	SG-24.27N-A-03 Back case block at bottom		Q235A		
37	YW61081200000 Inner hexagon cylindrical screw GB/T10318-2012-12.9-Longzine				
38	SG-24-N-A-14 Rotate block of chamber 2		Q235A		
39	YW61102500000 Inner hexagon cylindrical screw GB/T10318-2012-12.9-Longzine				
40	YW61104000200 Inner hexagon cylindrical screw GB/T10318-2012-12.9-Longzine				
41	SG-24-N-A-15 Chamber spindle		Q235A		
42	YW66082200100 Big gasket GB/T9888-4x24.2		1L-0HV		
43	SG-24.27N-A-02 Front case block at bottom		Q235A		
44	YW61104500000 Inner hexagon cylindrical screw GB/T10318-2012-12.9-Longzine				
45	SG-24-N-A-13 Rotate block of chamber 1		Q235A		
46	YW60103000200 External hexagonal bolt GB/T5783-M10x30-12.9-L=100-Longzine				
47	SG-24.27N-A-04 Front case block at top		Q1500-7		
48	SG-24-N-A-22 Fixed rear blade B		SKD11		
49	SG-24-N-A-17 Rotate block of feed box 2		Q235A		
50	YW61103500000 Inner hexagon cylindrical screw GB/T10318-2012-12.9-Longzine				
51	YW69123500000 Elastic round pin 12x35		65Mn		
52	YW61103500000 Inner hexagon cylindrical screw GB/T10318-2012-12.9-Longzine				
53	YW61103000100 Inner hexagon cylindrical screw GB/T10318-2012-12.9-Longzine				
54	SG-24-N-A-26 Widened fixed front blade F1		SKD11		
55	YW61122500000 Inner hexagon cylindrical screw GB/T10318-2012-12.9-Longzine				
56	YW61103000100 Inner hexagon cylindrical screw GB/T10318-2012-12.9-Longzine				
57	YW69123500000 Elastic round pin 12x35		65Mn		
58	YW61103500000 Inner hexagon cylindrical screw GB/T10318-2012-12.9-Longzine				
59	YW61122500000 Inner hexagon cylindrical screw GB/T10318-2012-12.9-Longzine				
60	SG-24-N-A-26 Widened fixed front blade F1		SKD11		
61	SG-24-N-A-27 Widened fixed front blade F2		SKD11		

标题	料號	圖號	比例	15	數量	1
料號	SG-24.27N	圖號	比例	15	數量	1
設計	校核	日期	表面要求			
校對	日期	日期	物料号			
更改前	更改人	更改后	物料号			
更改后	更改人	日期	物料号			
标记	更改前	更改后	物料号			

料號 SG-24.27N 圖號 SG-24.27N-A-ALL  
Cutting Chamber Assembly

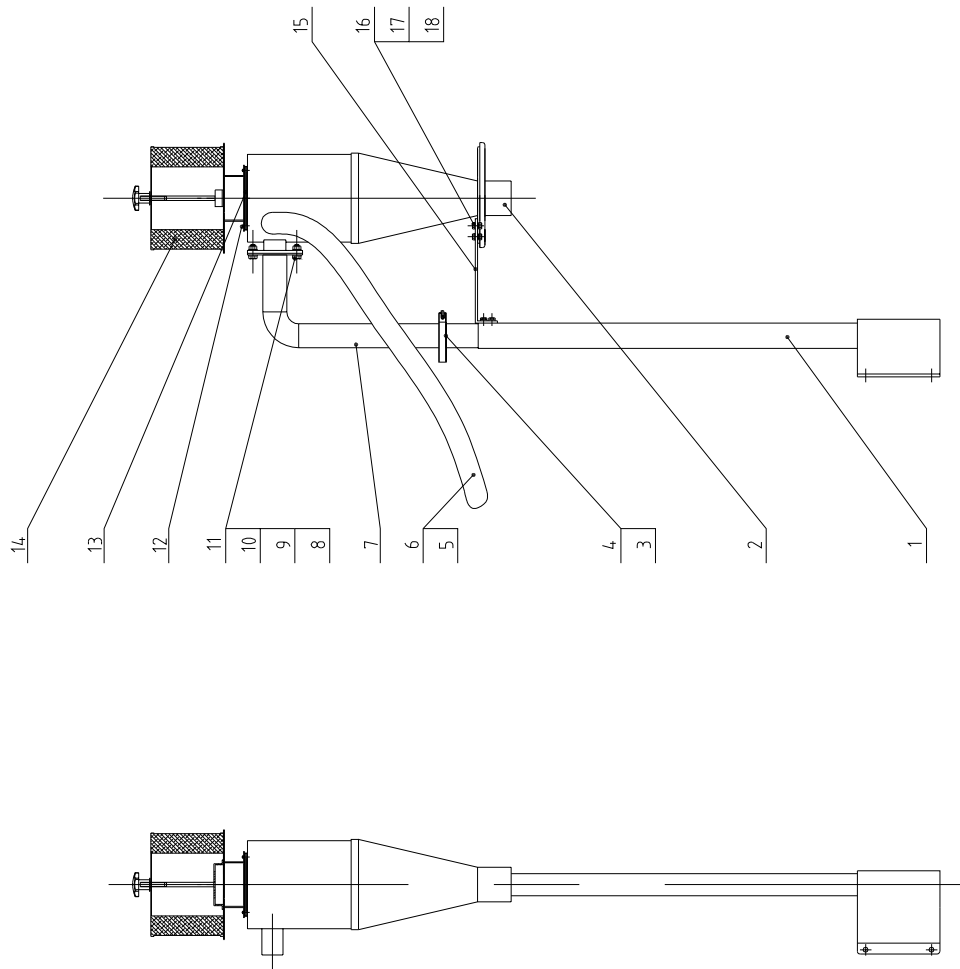
**SHINI** 信易電熱機械股份有限公司  
Shini Plastics Technologies, Inc.



9	SG-24.17N-B-06	Material tender pressing plate	SPCC15	1	
8	SG-24.27N-B-04	Feed box		1	
7	SG-24.27N-B-03	Material tender		1	
6	SG-24.27N-B-01	Feed box base		1	
5	YW64.0008000100	Non metal insert of hexagon locknut GB/T8991M8		12	
4	YW660816000000	Flat washer A GB/T918.10mm		24	
3	YW61084.000100	Inner hexagon cylindrical screw GB/T70.116x6.0-2.4.10mm		8	
2	YW61085.000000	Non metal insert of hexagon locknut GB/T8991M6		4	
1	SG-24N-B-01	Flat washer A GB/T915.10mm	Q235A	2	
NO		Name	Texture	Qty	Remark
		标准		比例	15
		数量		材质	
		图号		表面要求	*
		Feed Box Assembly		物料号	
		SG-24.27N-B-ALL			

14	YW61082500200	Inner hexagon round head screw GB/T02.18x2.5-19-1.0mm	SPCC15	4	
13	SG-24.27N-B-05	Feed part		1	
12	YW61051200100	Inner hexagon cylindrical screw GB/T70.116x6.0-2.4.10mm		3	
11	YW64.0005000000	Non metal insert of hexagon locknut GB/T8991M6		3	
10	YW660510000000	Flat washer A GB/T915.10mm		3	
NO		Name	Texture	Qty	Remark
		标准		版号	
		图号		核准	
		设计		日期	
		校对			
		审核			
		更改前		更改人	日期
		更改后			
		标记			





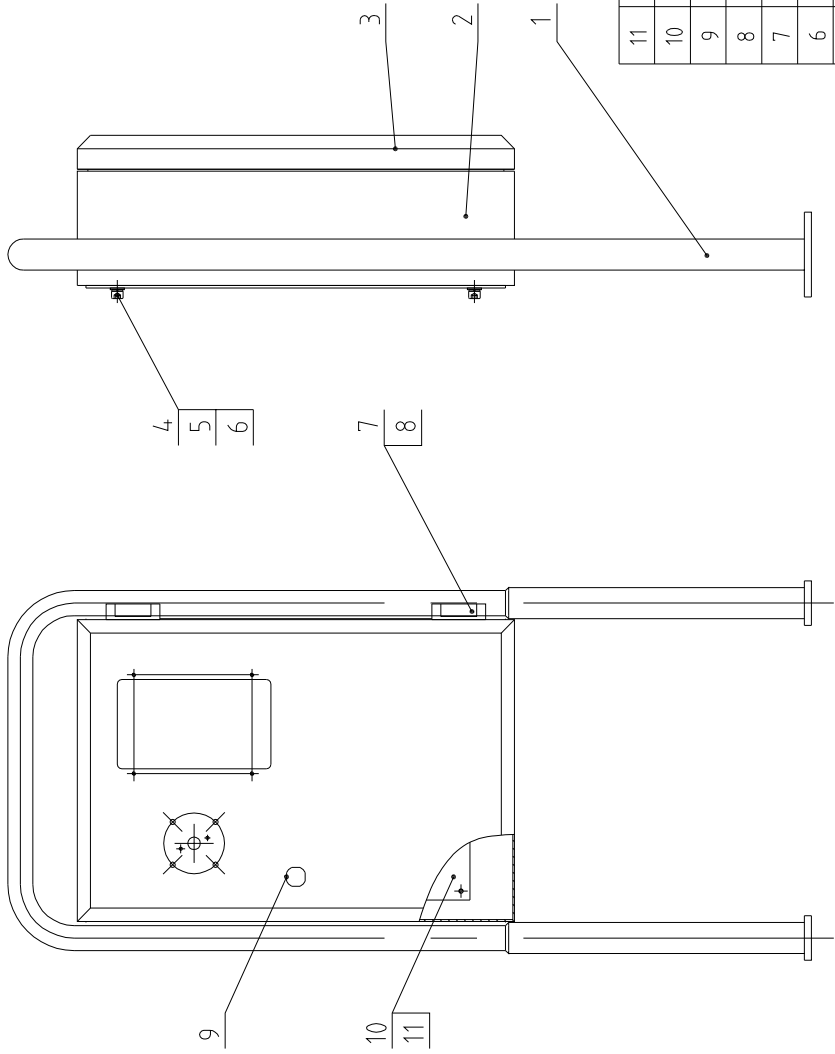
NO	Code	Name	Quantity	Unit	Remarks
18	YW65006000100	Standard spring washer Ø10x14mm	4	60Mh	
17	YW66061300000	Flat washer Ø10x14x1.5mm	4	14.0HV	
16	YW60061500100	Hexagon bolt Ø10x14x1.5mm	4		
15	SG-16-F-09	Support plate	1	SPH4	
14	SG-16-H-03	Filter	1		
13	SG-16-H-02	Filter screen	1		
12	YW61051000200	Cross socket head cap screw M5x10	4	4, 8	
11	YW65008000100	Standard spring washer Ø10x14mm	4	65Mh	
10	YW644080600000	Hexagon nut Ø10x14x1.5mm	4	4, 8	
9	YW660816000000	Flat washer Ø10x14mm	8	14.0HV	
8	YW60082000200	Hexagon bolt Ø10x14x1.5mm	4		
7	SG-16Z8N-H-02	Upper support	1		
6	YW02000200000	Stainless steel clamp 2"	2		
5	YR601570000000	Steel wire plastic panel 15"	1	15m	
4	YR200015000000	Food joint seal ring 15"	1		
3	YW070015005000	15" Food joint pipe clamp	1		
2	SG-24Z7N-E-02	BC cyclone main body	1		
1	SG-24Z7N-E-01	Lower support	1		

比例	数量	材质	表面要求	物料号
1:1	19			

标准	图号	版号	核准	日期
SG-24Z7N Cyclone Dust Collector Assembly	SG-24Z7N-E-ALL			

标记	更改前	更改后	更改人	日期	审核

**SHINI** 信易电热机械股份有限公司  
Shini Plastics Technologies, Inc.



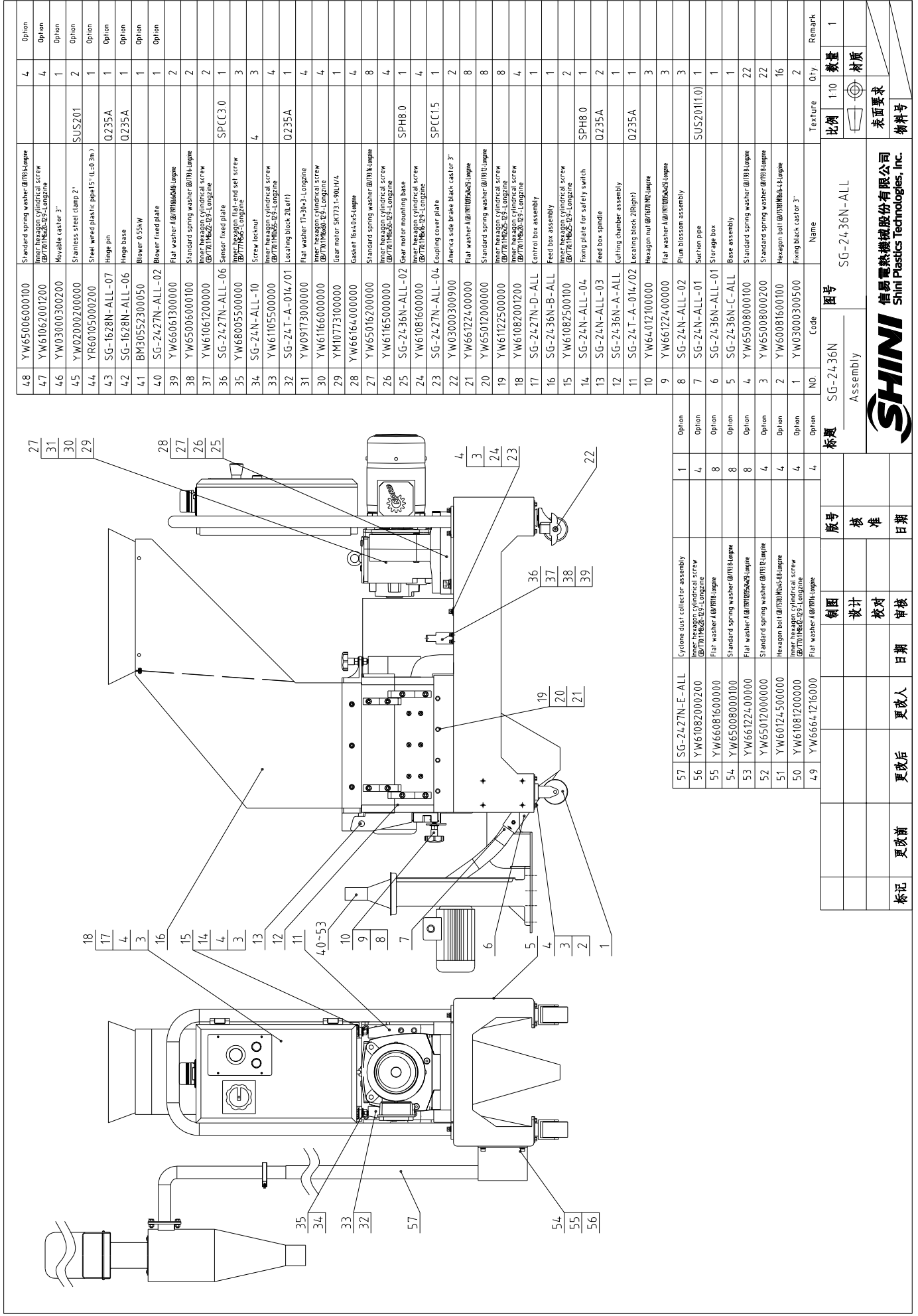
11	YW64.000500000	Non metal insert of hexagon locknut GB/T889.1145	4	
10	SG-2427N-D-07	Electrical fixing plate	1	SECC1.5
9	YW00816100000	Door lock(MS816-1) with black key	1	
8	YW62051000100	Gross recessed raised countersunk head screw JSJ111M6x10--Longzine	8	
7	YW06219100000	Big hinge CLZ19-1	2	
6	YW66081600000	Flat washer A GB/T9114-Longzine	4	
5	YW65008000100	Standard spring washer GB/T9312-Longzine	4	
4	YW61082001200	Inner hexagon cylindrical screw GB/T70.1M6x20-12.9-Longzine	4	
3	SG-2427N-D-06	Door plank	1	SPCC2.0
2	SG-2427N-D-04	Control box body	1	SPCC2.0
1	SG-2427N-D-08	Control box mounting rack	1	
NO	Code	Name	Texture	Qty
			Remark	

标题	SG-2427N	图号	SG-2427N-D-ALL
Control Box Assembly			
版号		比例	1:8
核 准		数量	1
日期		材质	
制图	设计	表面要求	
校对	审核	物料号	
审核	日期		
更改人	更改后		
更改前			
标记			



信易电热机械股份有限公司  
Shini Plastics Technologies, Inc.





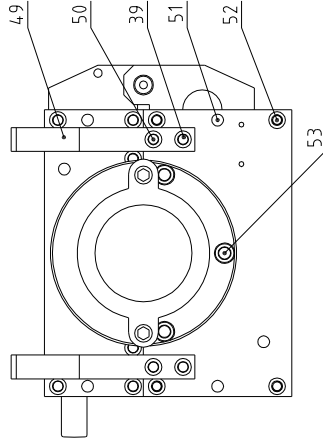
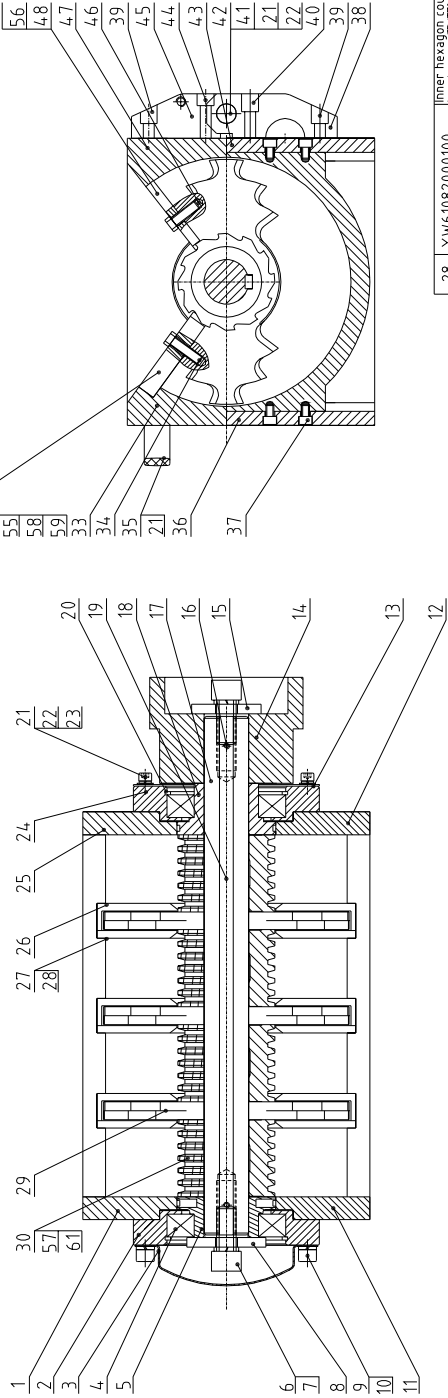
48	YW65006000100	Standard spring washer @Ø18xLongne				Option	4
47	YW61062001200	Inner hexagon cylindrical screw @Ø70xH625-Ø9xLongne				Option	4
46	YW03000300200	Movable castor 3"				Option	1
45	YW02000200000	Stainless steel clamp 2"	SUS201			Option	2
44	YR60105000200	Steel wired plastic opper15" (L:0.3m)				Option	1
43	SG-1628N-ALL-07	Hinge pin	Q235A			Option	1
42	SG-1628N-ALL-06	Hinge base	Q235A			Option	1
41	BR30552300050	Blower 0.55kW				Option	1
40	SG-2427N-ALL-02	Blower fixed plate				Option	1
39	YW66061300000	Flat washer @Ø11xØ18x0.5Longne				Option	2
38	YW65006000100	Standard spring washer @Ø18xLongne				Option	2
37	YW61062000000	Inner hexagon cylindrical screw @Ø70xH625-Ø9xLongne				Option	2
36	SG-2427N-ALL-06	Sensor fixed plate	SPCC3.0			Option	1
35	YW68005500000	Inner hexagon cylindrical screw @Ø70xH625-Ø9xLongne				Option	3
34	SG-24N-ALL-10	Screw locknut				Option	3
33	YW61105500000	Inner hexagon cylindrical screw @Ø70xH625-Ø9xLongne				Option	4
32	SG-24T-A-01x/01	Locating block 21x41x11	Q235A			Option	1
31	YW09173000000	Flat washer 17x30x3-Longne				Option	4
30	YW61166000000	Inner hexagon cylindrical screw @Ø70xH625-Ø9xLongne				Option	4
29	YW10773100000	Gear motor SK713 1.90LH/4				Option	1
28	YW66164000000	Gasket 16x40x5Longne				Option	4
27	YW65016200000	Standard spring washer @Ø18xLongne				Option	8
26	YW61165000000	Inner hexagon cylindrical screw @Ø70xH625-Ø9xLongne				Option	4
25	SG-2436N-ALL-02	Gear motor mounting base	SPH8.0			Option	1
24	YW61081600000	Inner hexagon cylindrical screw @Ø70xH625-Ø9xLongne				Option	4
23	SG-2427N-ALL-04	Coupling cover plate	SPCC15			Option	1
22	YW03000300900	America side brake black castor 3"				Option	2
21	YW66122400000	Flat washer @Ø11xØ18x0.5Longne				Option	8
20	YW65012500000	Standard spring washer @Ø19xLongne @Ø70xH625-Ø9xLongne				Option	8
19	YW61122500000	Inner hexagon cylindrical screw @Ø70xH625-Ø9xLongne				Option	4
18	YW61082001200	Inner hexagon cylindrical screw @Ø70xH625-Ø9xLongne				Option	1
17	SG-2427N-D-ALL	Control box assembly				Option	1
16	SG-2436N-B-ALL	Feed box assembly				Option	1
15	YW61082500100	Inner hexagon cylindrical screw @Ø70xH625-Ø9xLongne				Option	2
14	SG-24N-ALL-04	Fixing plate for safety switch	SPH8.0			Option	1
13	SG-24N-ALL-03	Feed box spindle	Q235A			Option	2
12	SG-2436N-A-ALL	Cutting chamber assembly				Option	1
11	SG-24T-A-01x/02	Locating block 21Ø11x21	Q235A			Option	1
10	YW64012100000	Hexagon nut @Ø11xØ12Longne				Option	3
9	YW66122400000	Flat washer @Ø11xØ18x0.5Longne				Option	3
8	SG-24N-ALL-02	Plum blossom assembly				Option	3
7	SG-24N-ALL-01	Suction pipe	SUS201(1.0)			Option	1
6	SG-2436N-C-ALL	Storage box				Option	1
5	SG-2436N-C-ALL	Base assembly				Option	1
4	YW65008000100	Standard spring washer @Ø18xLongne				Option	22
3	YW65008000200	Standard spring washer @Ø19xLongne				Option	22
2	YW60081600100	Hexagon bolt @Ø13xØ16x4.5Longne				Option	16
1	YW03000300050	Fixing black castor 3"				Option	2

57	SG-2427N-E-ALL	Cyclone dust collector assembly				Option	1
56	YW61082000200	Inner hexagon cylindrical screw @Ø70xH625-Ø9xLongne				Option	4
55	YW66081600000	Flat washer @Ø11xØ18x0.5Longne				Option	8
54	YW65008000100	Standard spring washer @Ø18xLongne				Option	8
53	YW66122400000	Flat washer @Ø11xØ18x0.5Longne				Option	4
52	YW65012500000	Standard spring washer @Ø19xLongne				Option	4
51	YW60124500000	Hexagon bolt @Ø13xØ16x4.5Longne				Option	4
50	YW61081200000	Inner hexagon cylindrical screw @Ø70xH625-Ø9xLongne				Option	4
49	YW66641216000	Flat washer @Ø11xØ18x0.5Longne				Option	4

比例	1:10	数量	1
表面要求		材质	
物料号			
图号	SG-2436N-ALL	桥翼	SG-2436N-ALL
Assembly			
版号		核准	
设计		日期	
校对		日期	
审核		日期	
更改前		更改人	
更改后		日期	
标记		更改前	
		更改后	

**SHINI** 信易电热机械股份有限公司  
Shini Plastics Technologies, Inc.





Item No.	Part Name	Material	Quantity	Option	Part No.	Notes	Material	Quantity	Option	Part No.	Notes
1	Widened fixed front blade F2	SKD11	2		SKD11					SKD11	
2	Widened fixed front blade F1	SKD11	2		SKD11					SKD11	
3	Inner hexagon cylindrical screw	GB/T70.1M6x25-L9-Longzine	6		65Mn					65Mn	
4	Inner hexagon cylindrical screw	GB/T70.1M6x25-L9-Longzine	20		Q235A					Q235A	
5	Inner hexagon cylindrical screw	GB/T70.1M6x25-L9-Longzine	12		SKD11					SKD11	
6	Elastic round pin 1x2x35		2		Q235A					Q235A	
7	Inner hexagon cylindrical screw	GB/T70.1M6x35-L9-Longzine	2		SKD11					SKD11	
8	Inner hexagon cylindrical screw	GB/T70.1M6x35-L9-Longzine	2		Q235A					Q235A	
9	Elastic ring for hole use 120		4		SKD11					SKD11	
10	Flat key		1		Q1500-7					Q1500-7	
11	Right shaft sleeve		1		SG-24-T-A-42					SG-24-T-A-42	
12	Main shaft		8		SG-24-36N-A-01					SG-24-36N-A-01	
13	Inner hexagon cylindrical screw	GB/T70.1M6x120-00000	2		Q235A					Q235A	
14	Inner hexagon cylindrical screw	GB/T70.1M6x120-00000	2		Q235A					Q235A	
15	Coupler pad		1		Q235A					Q235A	
16	Shaft coupler X901-402-50-79H-L=70		4		Q235A					Q235A	
17	Bearing blocking cover plate		1		Q235A					Q235A	
18	Right bearing holder at bottom		2		Q235A					Q235A	
19	Left bearing holder at bottom		2		Q235A					Q235A	
20	Standard spring washer 08/1918-Longzine		6		Q235A					Q235A	
21	Inner hexagon cylindrical screw	GB/T70.1M6x20-L9-Longzine	2		Q235A					Q235A	
22	Standard spring washer 08/1918-Longzine		12		Q235A					Q235A	
23	Washer		8		Q235A					Q235A	
24	Standard spring washer 08/1918-Longzine		7		AL					AL	
25	Inner hexagon cylindrical screw	GB/T70.1M6x20-L9-Longzine	1		Q1500-7					Q1500-7	
26	Left shaft sleeve		8		SG-24-36N-A-05					SG-24-36N-A-05	
27	Bearing 4213 DDU/VV		4		SG-24-36N-A-21					SG-24-36N-A-21	
28	Bearing cap		2		SG-24N-A-20					SG-24N-A-20	
29	Left bearing base		2		SG-24N-A-23					SG-24N-A-23	
30	Left bearing holder at top		4		SG-24N-A-24					SG-24N-A-24	
31	Inner hexagon countersunk head screw 08/170.3M6x20-L9-Longzine		4		SG-24N-A-33					SG-24N-A-33	
32	Middle plate 2		4		SG-24N-A-32					SG-24N-A-32	
33	Middle plate 1		2		SG-24N-A-31					SG-24N-A-31	
34	Right bearing holder at top		2		SG-24N-A-30					SG-24N-A-30	
35	Flat washer 1 08/1918-Longzine		4		SG-24N-A-29					SG-24N-A-29	
36	Standard spring washer 08/1918-Longzine		4		SG-24N-A-28					SG-24N-A-28	
37	Inner hexagon cylindrical screw	GB/T70.1M6x20-L9-Longzine	8								
38	Inner hexagon cylindrical screw	GB/T70.1M6x20-L9-Longzine	10								
39	Elastic ring for hole use 120		2								
40	Flat key		1								
41	Right shaft sleeve		1								
42	Main shaft		1								
43	Inner hexagon cylindrical screw	GB/T70.1M6x120-00000	2								
44	Inner hexagon cylindrical screw	GB/T70.1M6x120-00000	2								
45	Coupler pad		1								
46	Shaft coupler X901-402-50-79H-L=70		1								
47	Bearing blocking cover plate		1								
48	Right bearing holder at bottom		1								
49	Left bearing holder at bottom		1								
50	Standard spring washer 08/1918-Longzine		6								
51	Inner hexagon cylindrical screw	GB/T70.1M6x20-L9-Longzine	2								
52	Standard spring washer 08/1918-Longzine		12								
53	Washer		8								
54	Standard spring washer 08/1918-Longzine		7								
55	Inner hexagon cylindrical screw	GB/T70.1M6x20-L9-Longzine	1								
56	Left shaft sleeve		2								
57	Bearing 4213 DDU/VV		1								
58	Bearing cap		2								
59	Left bearing base		2								
60	Left bearing holder at top		4								
61	Inner hexagon countersunk head screw 08/170.3M6x20-L9-Longzine		3								

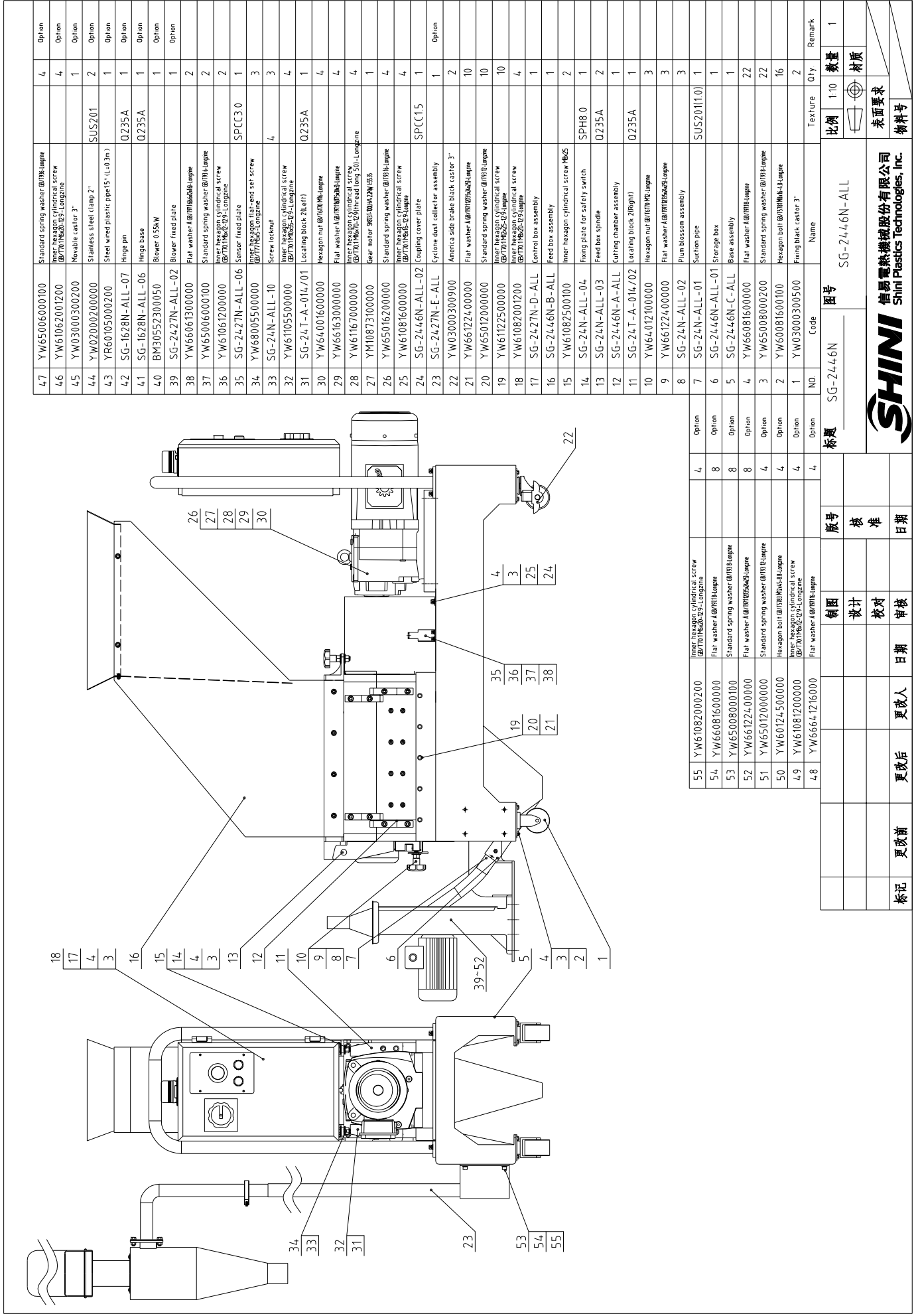
Revision	Change Description	Date	Checked	Approved	Design	Drawn	Version	Material	Quantity	Remark
1	Initial Release						SG-24-36N	15	1	
2	Design Change						SG-24-36N-A-ALL	15	1	
3	Material Change						SG-24-36N-A-ALL	15	1	
4	Quantity Change						SG-24-36N-A-ALL	15	1	



标题	版号	核准	日期
料號	SG-24-36N		
設計			
校對			
審核			
更改前			
更改后			
更改人			
日期			

圖名	圖號	圖示
切削室組裝	SG-24-36N	

比例	1:1
表面要求	未加工
物料号	SG-24-36N-A-ALL



47	YW65006000100	Standard spring washer @Ø19x1.6mm		4	Option
46	YW61062001200	Inner hexagon cylindrical screw @Ø17x1.6x26.25-Longzine		4	Option
45	YW03000300200	Movable castor 3"		1	Option
44	YW02000200000	Stainless steel clamp 2"	SUS201	2	Option
43	YR60105000200	Steel wired plastic pipe15" (L=0.3m)		1	Option
42	SG-1628N-ALL-07	Hinge pin	Q235A	1	Option
41	SG-1628N-ALL-06	Hinge base	Q235A	1	Option
40	BM30552300050	Blower 0.55KW		1	Option
39	SG-2427N-ALL-02	Blower fixed plate		1	Option
38	YW66061300000	Flat washer A @Ø17x1.6x0.6mm		2	
37	YW65006000100	Standard spring washer @Ø19x1.6mm		2	
36	YW61061200000	Inner hexagon cylindrical screw @Ø17x1.6x26.25-Longzine		2	
35	SG-2427N-ALL-06	Sensor fixed plate	SPCC30	1	
34	YW68005500000	Inner hexagon flat-end set screw @Ø7x1.6x5-Longzine		3	
33	SG-24N-ALL-10	Screw locknut	4	3	
32	YW61105500000	Inner hexagon cylindrical screw @Ø17x1.6x26.25-Longzine		4	
31	SG-24T-A-014/01	Locating block Z1Left	Q235A	1	
30	YW64001600000	Hexagon nut @Ø17x1.6mm		4	
29	YW66163000000	Flat washer A @Ø17x1.6x0.6mm		4	
28	YW61167000000	Inner hexagon cylindrical screw @Ø17x1.6x26.25-Longzine		4	
27	YM10873100000	Gear motor 500W/Ø12M/53S		1	
26	YW65016200000	Standard spring washer @Ø19x1.6mm		4	
25	YW61081600000	Inner hexagon cylindrical screw @Ø17x1.6x26.25-Longzine		4	
24	SG-2446N-ALL-02	Coupling cover plate	SPCC15	1	
23	SG-2427N-E-ALL	Cyclone dust collector assembly		1	Option
22	YW03000300900	America side brake castor 3"		2	
21	YW66122400000	Flat washer A @Ø17x1.6x0.6mm		10	
20	YW65012000000	Standard spring washer @Ø19x1.6mm		10	
19	YW61122500000	Inner hexagon cylindrical screw @Ø17x1.6x26.25-Longzine		10	
18	YW61082001200	Inner hexagon cylindrical screw @Ø17x1.6x26.25-Longzine		4	
17	SG-2427N-D-ALL	Control box assembly		1	
16	SG-2446N-B-ALL	Feed box assembly		1	
15	YW61082500100	Inner hexagon cylindrical screw M6x5		2	
14	SG-24N-ALL-04	Fixing plate for safety switch	SPH80	1	
13	SG-24N-ALL-03	Feed box spindle	Q235A	2	
12	SG-2446N-A-ALL	Cutting chamber assembly		1	
11	SG-24T-A-014/02	Locating block Z1Right	Q235A	1	
10	YW64012100000	Hexagon nut @Ø17x1.6mm		3	
9	YW66122400000	Flat washer A @Ø17x1.6x0.6mm		3	
8	SG-24N-ALL-02	Plum blossom assembly		3	
7	SG-24N-ALL-01	Suction pipe	SUS201(1.0)	1	
6	SG-2446N-ALL-01	Storage box		1	
5	SG-2446N-C-ALL	Base assembly		1	
4	YW66081600000	Flat washer A @Ø19x1.6mm		22	
3	YW65008000200	Standard spring washer @Ø19x1.6mm		22	
2	YW60081600100	Hexagon bolt @Ø19x1.6x48-Longzine		16	
1	YW03000300500	Fixing black castor 3"		2	

55	YW61082000200	Inner hexagon cylindrical screw @Ø17x1.6x26.25-Longzine		4	Option
54	YW66081600000	Flat washer A @Ø19x1.6mm		8	Option
53	YW65008000100	Standard spring washer @Ø19x1.6mm		8	Option
52	YW66122400000	Flat washer A @Ø17x1.6x0.6mm		8	Option
51	YW65012000000	Standard spring washer @Ø19x1.6mm		4	Option
50	YW60124500000	Hexagon bolt @Ø19x1.6x48-Longzine		4	Option
49	YW61081200000	Inner hexagon cylindrical screw @Ø17x1.6x26.25-Longzine		4	Option
48	YW66641216000	Flat washer A @Ø19x1.6mm		4	Option

4	Option	数量	1
8	Option	比例	1:10
8	Option	材质	
8	Option	表面要求	
4	Option	物料号	
4	Option	Texture	
4	Option	Qty	
4	Option	Remark	

桥惠	SG-2446N	版号	核准	日期
设计		校对	审核	
更改前		更改后	日期	
更改后		日期		
标记		更改前	更改后	日期

桥惠	SG-2446N	图号	SG-2446N-ALL
物料号		数量	1
表面要求		比例	1:10
材质		Texture	
物料号		Qty	
Remark		Remark	

SHINI	信易塑料科技股份有限公司
SHINI	Shini Plastics Technologies, Inc.



