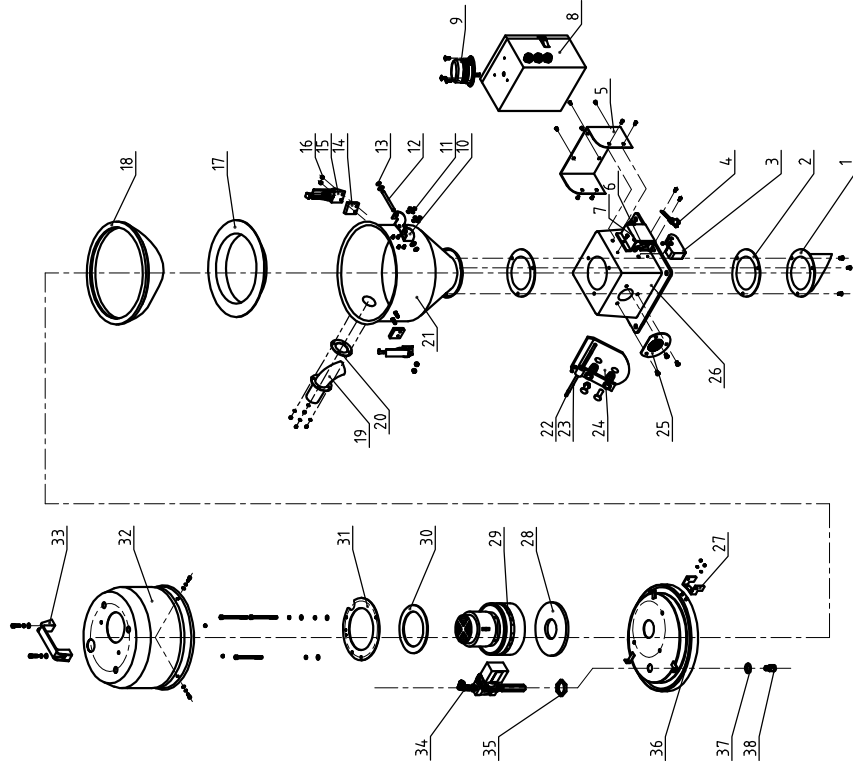


NO.	Past Name	Part NO.	NO.	Past Name	Part NO.
1	Grit hole *	BL20333600020	28	E-type washer E5	YW66000500000
2	Base fastener *	YR10000000600	29	Iron rod	BH10061400040
3	Counter weight hammer	YW20602100000	30	Material discharging plate assembly SAL	BH90601200050
4	Ejector pin assembly	BH10000600050	31	Air vent window *	YR40002400100
5	Control box fixing plate	BL20333600120	32	Square base	BA10040000260
6	Limit switch *	YE14511200000	33	Motor fastener(lower) *	YR10135500000
7	Microswitch box *	YR40330900000	34	Carbon brush motor (for 230V) *	YM30965600000
8	Control box	YW09033006000		Carbon brush motor (for 115V) *	YM30966100000
9	Alarm Lamp *	BL90011500020	35	Motor fastener(upper) *	YP62141200000
10	Lower hinge	BL32000600140	36	Motor fixing plate	BL21000300420
11	Hexagonal nut M5 anti-loose	YW64000500000	37	Motor cover *	YR40000300100
12	Hinge pin	BH10006003110	38	Aluminum square handle *	BW20012000040
13	E-rings 6	YW66000600000	39		
14	Snap hook block *	YR40000600800	40		
15	Snap hook *	YW02003000400	41		
16	Locknut M4	YW64040700100	42		
17	Split washer of filter cloth *	YR40003000100	43		
18	Cloth-bag *	BP82003000044	44		
19	Reverse cleaning pipe nozzle	BH13033000810	45		
20	Reverse-cleaning pipe fastener *	BR10281500050	46		
21	Upper hinge	BL32000600240	47		
22	Hopper cover	BL20033000120	48		
23	Connection nut	BH12030400410	49		
24	Cloth-bag purging device (for 230V)	YW90033000500	50		
25	Cloth-bag purging device (for 115V)	YW90033000500	51		
26	Material inlet pipe	BL32333600020	52		
27	Pipe inlet fastener *	YR10061200000	53		
28	Storage hopper	-	54		

* means possible broken parts. ** means easy broken part. and spare backup is suggested.
Please confirm the version of manual before placing the purchase order to guarantee that the item number of the spare part is in accordance with the real object.



NO.	Past Name	Part NO.	NO.	Past Name	Part NO.
1	Grit hole *	BL20333600020	28	Motor fastener (lower) *	YR10135500000
2	Base fastener *	YR10000000600	29	Carbon brush motor (for Z30V) *	YM30965600000
3	Counter weight hammer	YW20602100000	30	Carbon brush motor (for 115V) *	YM30966100000
4	Ejector pin assembly	BH10000600050	31	Motor fastener(upper) *	YP62141200000
5	Control box fixing plate	BL20333600120	32	Motor fixing plate	BL21000300420
6	Limit switch *	YE14511200000	33	Motor cover *	YR40036000000
7	Microswitch box *	YR40339000000	34	Aluminum square handle	BW20012000040
8	Control box	YW90330060000	35	Cloth-bag purging device (for Z30V) *	YW90036000600
9	Alarm Lamp *	BL90011500020	36	Cloth-bag purging device (for 115V) *	YW90036006600
10	Lower hinge	BL32000600140	37	Connection nut	BH12030400410
11	Hexagonal nut M5 anti-loose	YW64000500000	38	Hopper cover	-
12	Hinge pin	BH10006003110		Reverse-cleaning pipe	BR10281500050
13	E-rings 6	YW66000600000		Reverse cleaning pipe nozzle	BH13033000810
14	Snap hook block *	YR40000600800			
15	Snap hook *	YW02003000400			
16	Locknut M4	YW64040700100			
17	Split washer of filter cloth *	YR40000600000			
18	Cloth-bag *	BP82006000044			
19	Material inlet pipe	BL32000600020			
20	Material inlet pipe fastener *	YR10061200000			
21	Storage hopper	-			
22	E-type washer E5	YW66000500000			
23	Iron rod	BH10061400040			
24	Material discharging plate assembly 33L	BH90601200050			
25	Air vent window *	YR40002400100			
26	Square base	BA10040000260			
27	Upper hinge	BL320006000240			

* means possible broken parts. ** means easy broken part. and spare backup is suggested. Please confirm the version of manual before placing the purchase order. to guarantee that the item number of the spare part is in accordance with the real object.

SAL-360 说明书