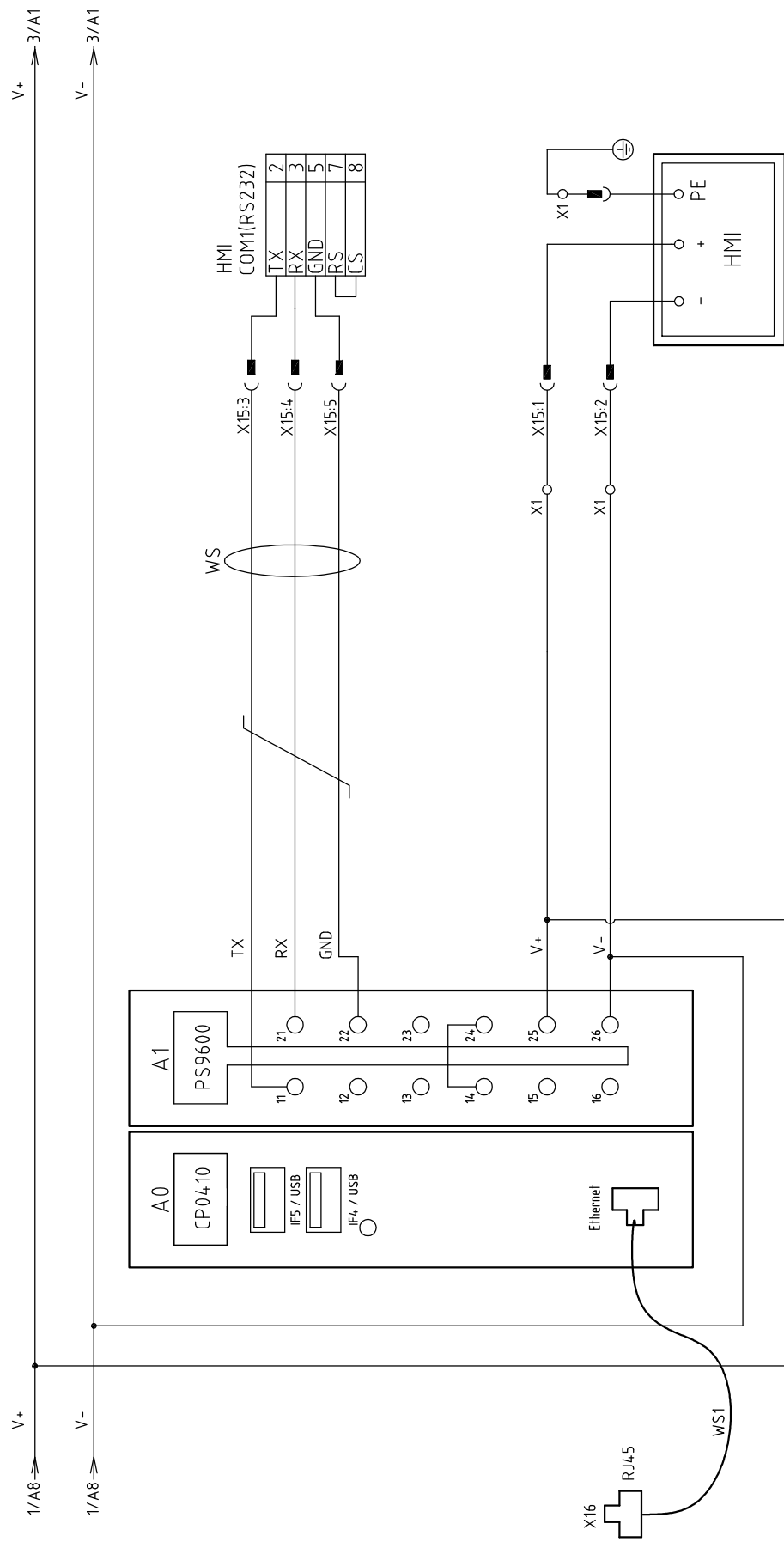


机型版本 Ver.D

Mark	Before modification	Modified by	Modify date	Checked by	Date	Approved by	Version	G	Title	Drawing NO.		Page 1
	After modification									Standard	CE	
									SGB-40-4	SGB-40-4-CE-230V-G-1	Scale	Page 1
									Electrical Principle 1		Standard	Totally 10
											Voltage	3φ230V
											Frequency	50/60HZ
1	2	3	4	5	6	7	8					

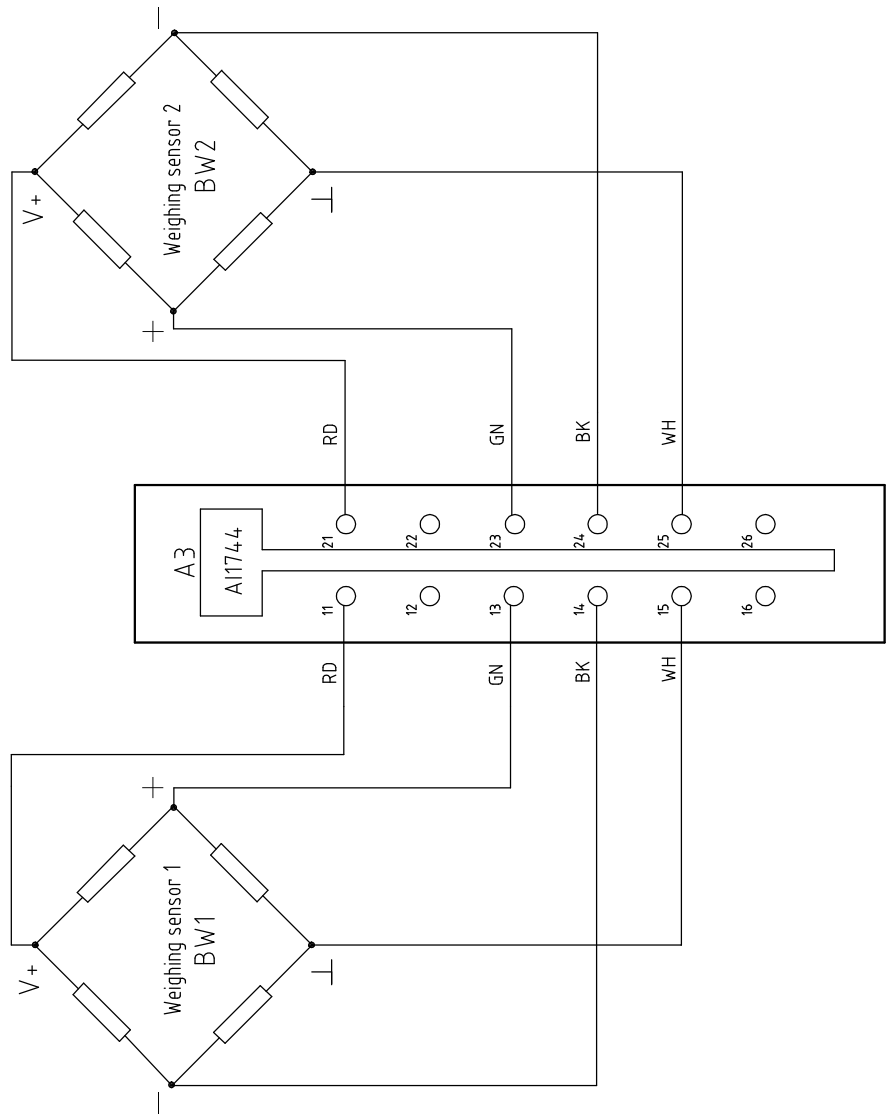





机型版本 Ver.D

Mark	Before modification	Modified by	Modify date	Checked by	Date	Approved by	Version	G	Title	Drawing NO.		Scale	Page
	After modification	Modified by	Modify date							SGB-40-4-CE-230V-G-2			
<p><b>SHINI</b> 信易電熱機械股份有限公司 Shini Plastics Technologies, Inc.</p>										Voltage	3φ230V	8	
										Frequency	50/60HZ		

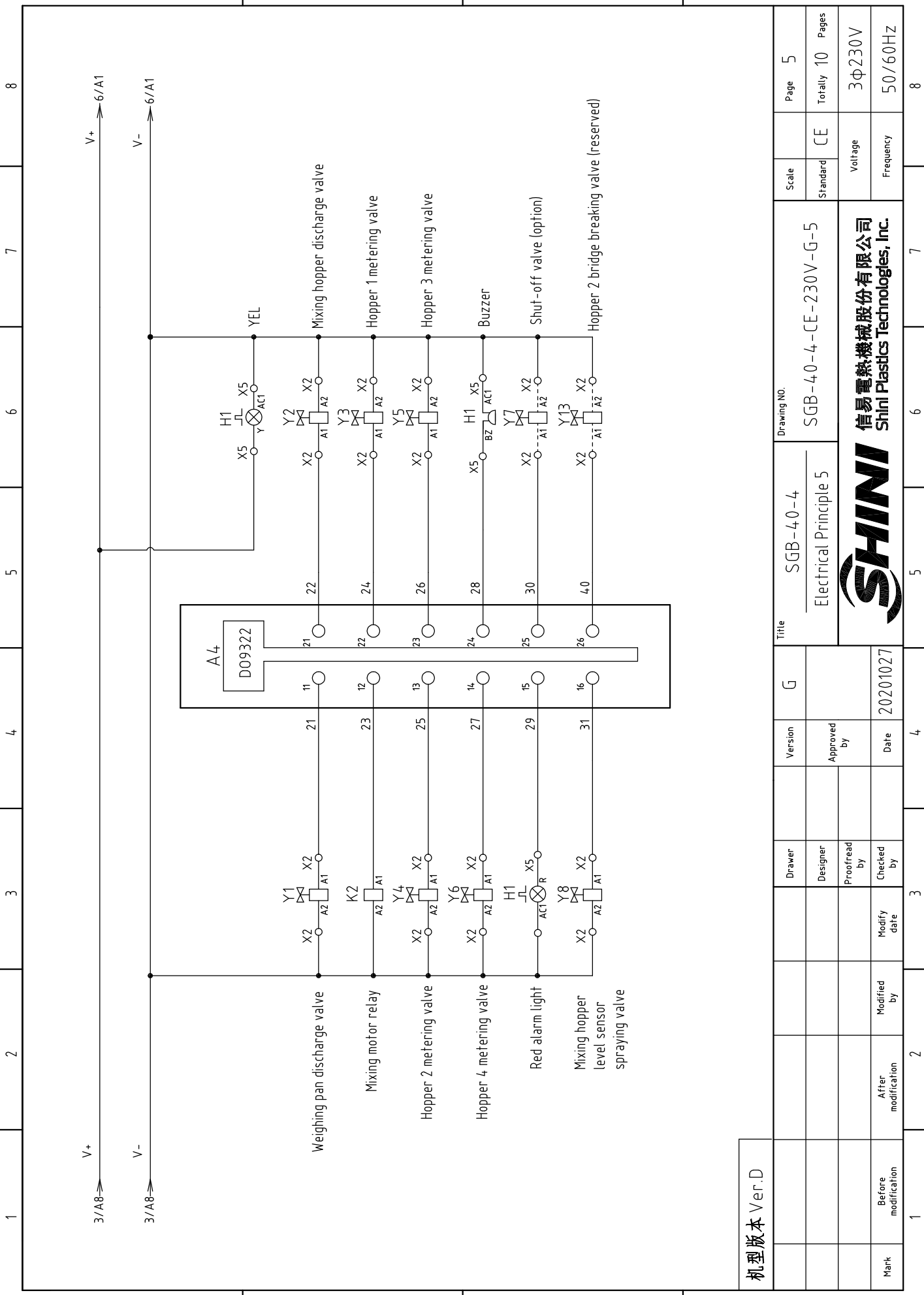




机型版本 Ver.D

Drawer	Version	Title		Scale	Page
Designer	Approved by	SGB-40-4		Standard	4
Proofread by	Date	Electrical Principle 4		CE	Totally 10
Checked by	Modify date	SGB-40-4-CE-230V-G-4		Voltage	3 φ 230V
Modified by	After modification	 信易電熱機械股份有限公司 Shini Plastics Technologies, Inc.		Frequency	50/60Hz
Mark	Before modification				8



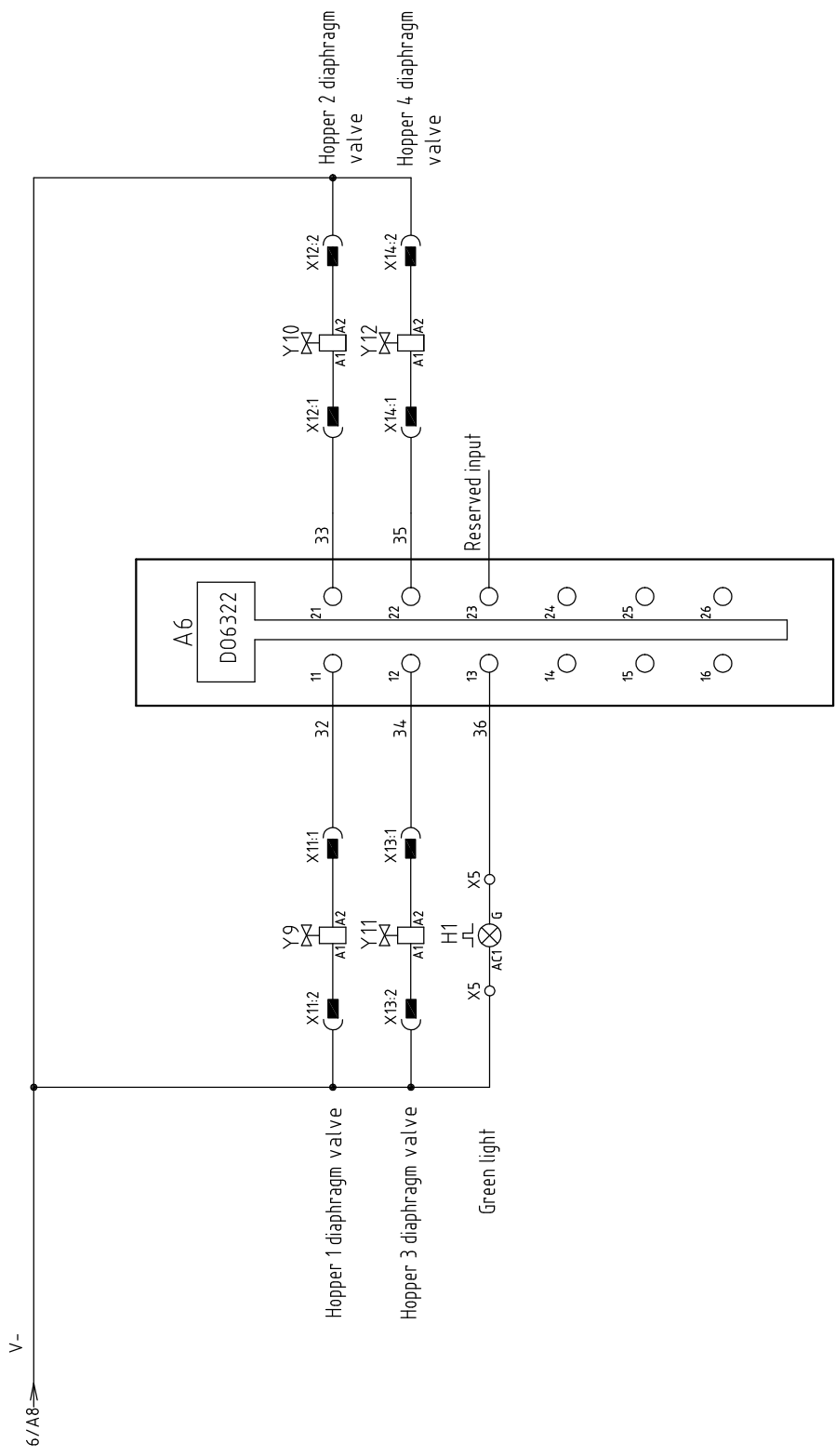


机型版本 Ver.D	G		Version		Title		Scale		Page	
			Approved by		SGB-40-4		Standard		Totally 10	
			Date		Electrical Principle 5		Voltage		Pages	
Mark	Before modification	After modification	Modified by	Modify date	Checked by	20201027	Frequency		3 φ 230V	
							50/60HZ		8	

**信易熱機械股份有限公司**  
**Shini Plastics Technologies, Inc.**

Drawing NO.		Page	5
SGB-40-4-CE-230V-G-5		Totally	10
Electrical Principle 5		Pages	
		Voltage	3 φ 230V
		Frequency	50/60HZ






机型版本 Ver.D

Mark	Before modification	Modified by	Modify date	Proofread by	Checked by	Designer	Drawer	Version	G	Title	Drawing NO.		Page	7
	After modification	Modified by	Modify date	Proofread by	Checked by	Designer	Drawer				SGB-40-4	SGB-40-4-CE-230V-G-7		
											Voltage	3φ230V		
											Frequency	50/60HZ		


  
**信易電熱機械股份有限公司**  
**Shini Plastics Technologies, Inc.**

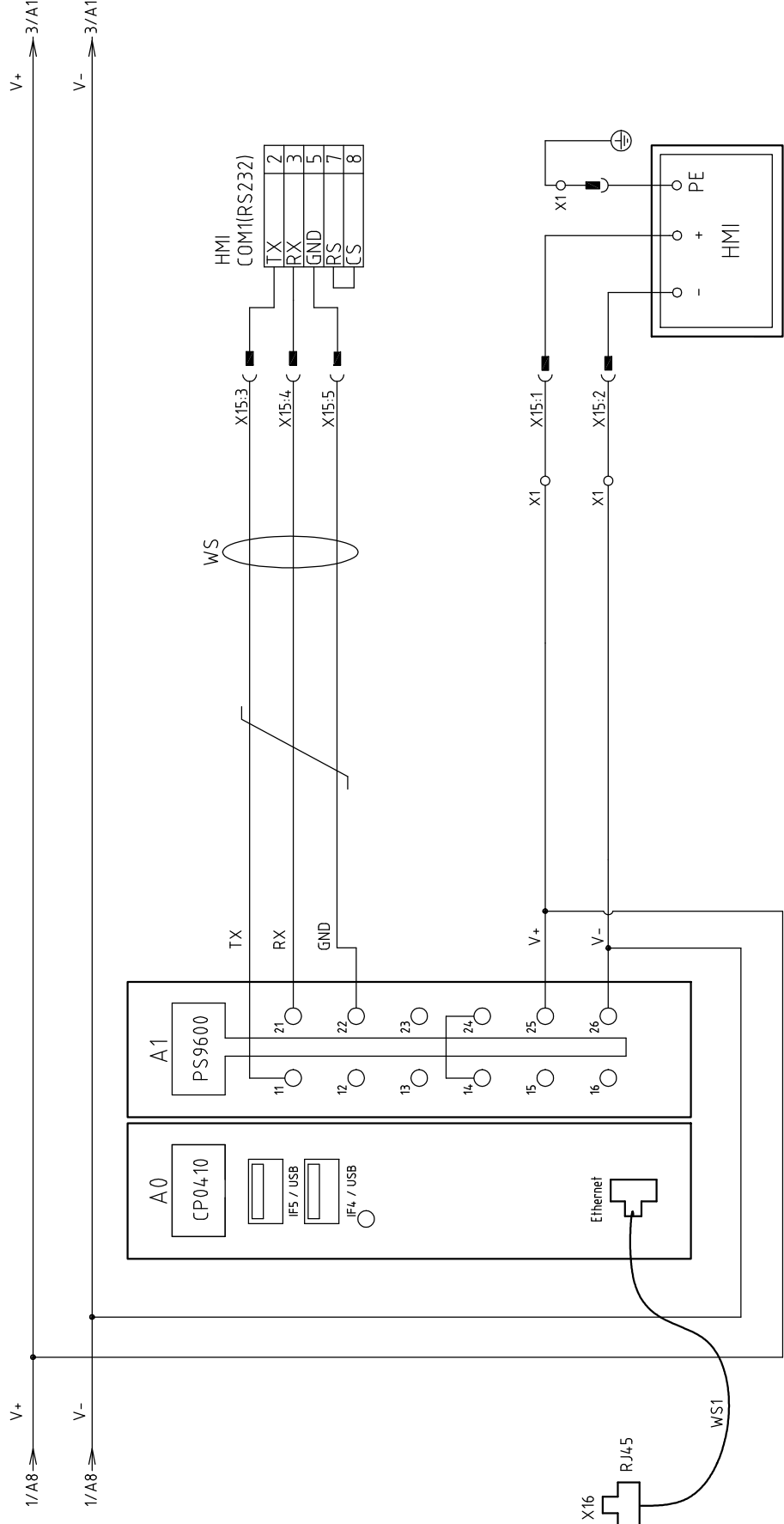


1	2		3		4	5	6		7	8	
NO.	Symbol	Name	Manufacturer	Type	Specification	Number	Material number	Remark			
1	Q1	Main power switch	EATON	T0-2-1/EA/SVB	20A	1	YE10021160000				
2	Q2	Circuit-Breakers	TECO	BM-63C 3P	6A	1	YE40300603000				
3	Q3	Circuit breaker	TECO	BM-63C	3A	1	YE40100203000				
4	S3	Capacitive proximity switch	IFM	KI 5082	10~36VDC	1	----	(1)			
5	S7~S10	Capacitive proximity switch	IFM	KI 5082	10~36VDC	4	----	(1) (2)			
6	S5	Safety switch	SCHMERSRC	AZ152VK-14.76	AC-15	1	----	(1)			
7	S6	Pressure switch	FOX	K4SA02	1~12KG	1	----	(1)			
8	K1	Contactors	SIEMENS	3RT6015-1AN21	230V 50/60Hz	1	YE00601521000				
9	K2	Middle relay	WEIDMULLER	DRM270024LT	24VDC 12A	1	YE03272400000				
10	K3	Phase sequence relay	CHAOSHI	ABJ-10W	230V	1	YE03102200000				
11	F1	Thermal overload relays	SIEMENS	3RU6116-1AB0	1.1-1.6A	1	YE01160110000				
12	U	DC power	MEAN WELL	S-100-24	+24V 4.5A	1	YE71102400000				
13	A0~A7	4组份称重料机控制器/Controller	B&R	----	----	1	YE80024000100	Cancel			
14	A0	CPU/controller	B&R	X20 CP04.10	----	1	YE80041000200	New			
15	A1	CPU base	B&R	X20 BB52	----	1	YE80041100300	New			
16	A1	Power module	B&R	X20 PS9600	----	1	YE80960000000	New			
17	A2	Input module	B&R	X20 DI9371	----	1	YE80937100000	New			
18	A3	Weighing module	B&R	X20 AI174.4	----	1	YE80200000500	New			
19	A4	Output module	B&R	X20 DO9322	----	1	YE80209300000	New			
20	A5	Common module	B&R	X20 CM8281	----	1	YE80200000700	New			
21	A6	Output module	B&R	X20 DO6322	----	1	YE80632200000	New			
22		12 core terminal block	B&R	X20 TB12	----	6	YE80201100000	New			
23		I/O bus module	B&R	X20 BM11	----	5	YE80200100000	New			
24	HMI	Human-machine interface	SCHNEIDER	GXU3512	24VDC	1	YE80351200100				
25	H1	Three-color alarm Lamp with buzzer	SHINI	PK-27A	24VDC	1	BL90002401520				

机型版本 Ver.D		Notes: (1) Materials not in the control box; (2) Optional low level sensor; (3) Optional bridge breaking valve; (4) Optional shut-off valve;											
Mark	Before modification	Drawer	Version	G	Title		Scale		Page		9		
	After modification	Designer	Approved by	SGB-40-4		Standard		CE		Totally		10	
	Modify date	Proofread by	Date	Elec. Parts List 1		SGB-40-4-CE-230V-G-9		Voltage		3Φ230V			
	Modify by	Checked by	20201027			Frequency		50/60HZ					
1	2	3	4	5	6	7	8						



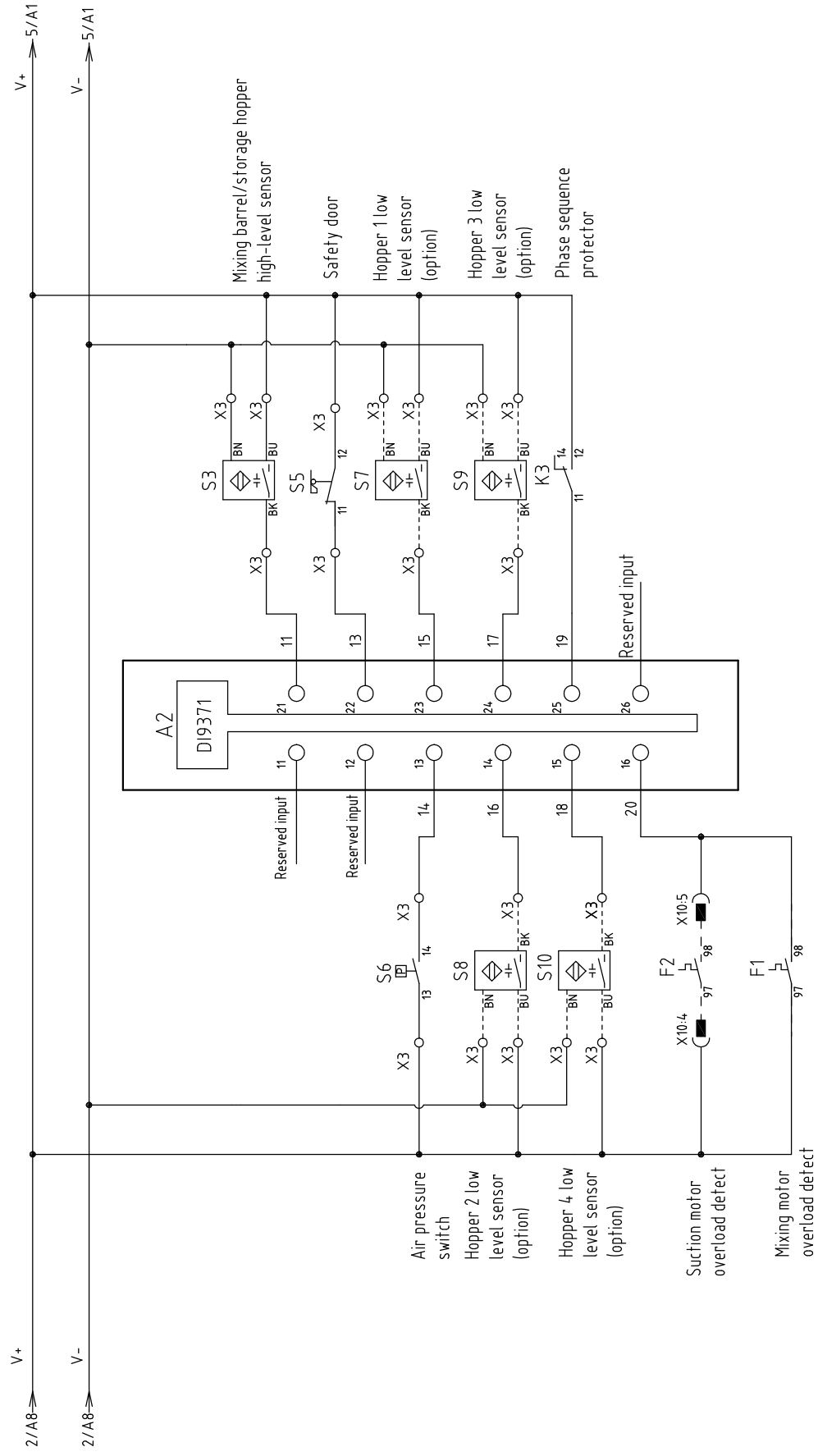




机型版本 Ver.D

Mark	Before modification	Modified by	Modify date	Checked by	Proofread by	Designer	Drawer	Version	G	Title	Drawing NO.		Scale	Page 2
	After modification										Modified by	Modify date		
Page	Before modification	Modified by	Modify date	Checked by	Proofread by	Designer	Drawer	Version	G	Title	Voltage		Frequency	Pages
	After modification										Modified by	Modify date		
Mark	Before modification	Modified by	Modify date	Checked by	Proofread by	Designer	Drawer	Version	G	Title	Voltage		Frequency	Pages
1	2	3	4	5	6	7	8	SHINI		信易電熱機械股份有限公司 Shini Plastics Technologies, Inc.		3φ230V	50/60HZ	8





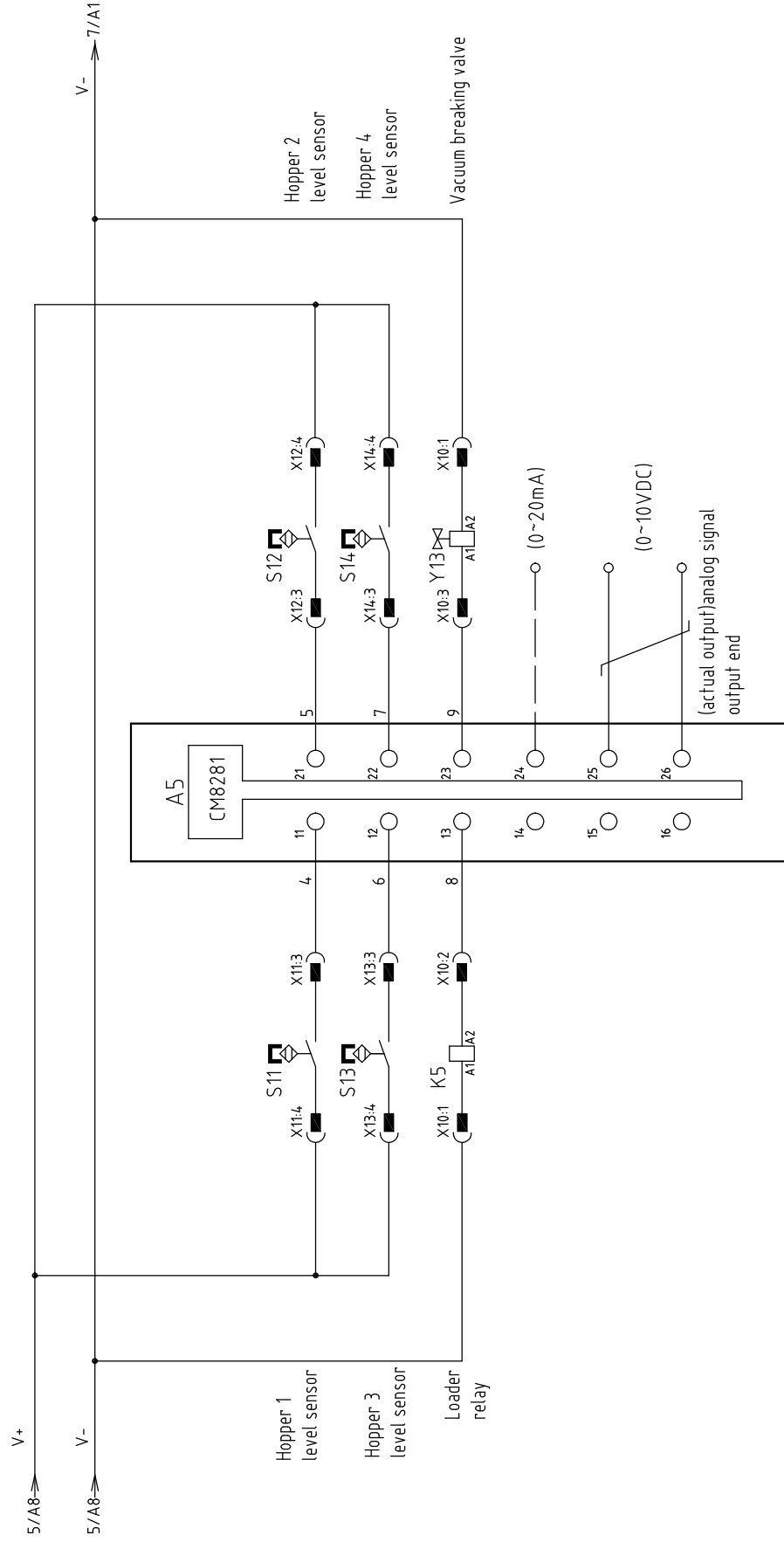
机型版本 Ver.D

Mark	Before modification	Modified by	Modify date	Designer	Version	G	Title SGB-200-4 Electrical Principle 3	Drawing NO. SGB-200-4-CE-230V-G-3	Scale	Page
	After modification	Proofread by	Checked by	Approved by	Standard				Totally	Pages
									Voltage	3 φ 230V
									Frequency	50/60Hz




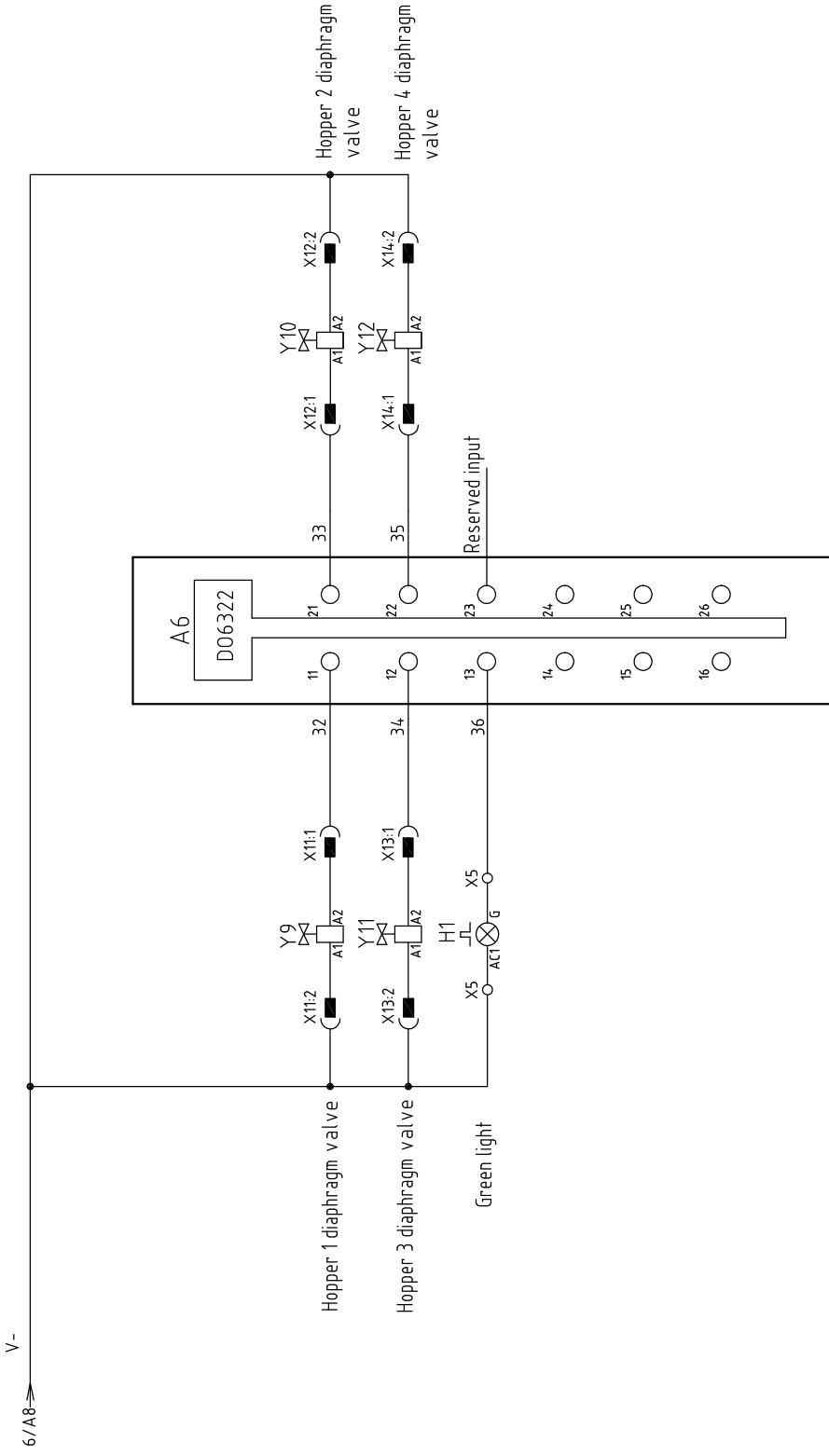






机型版本 Ver.D

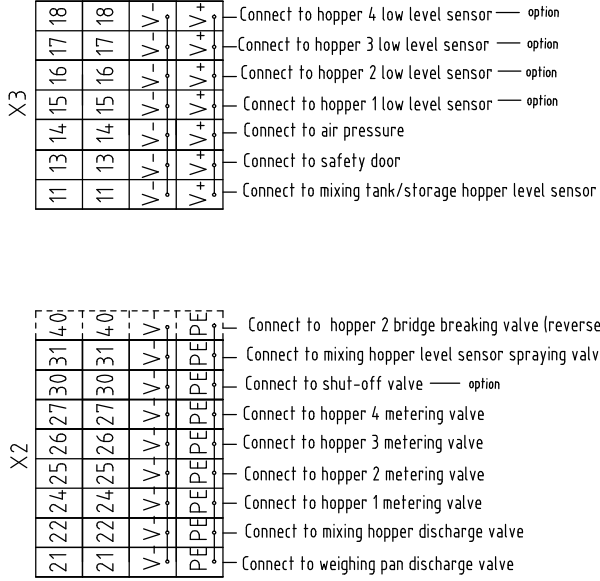
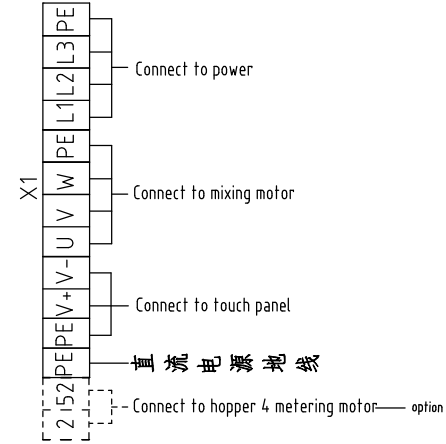
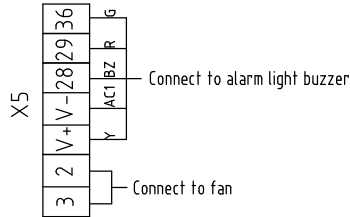
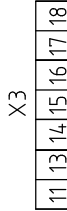
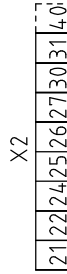
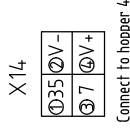
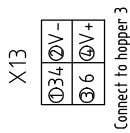
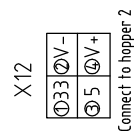
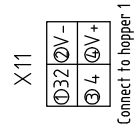
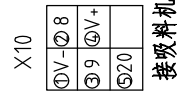
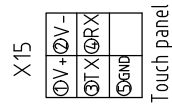
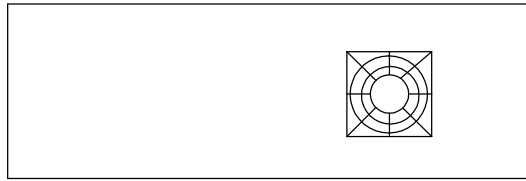
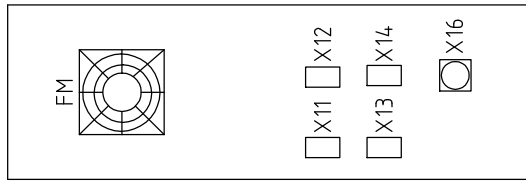
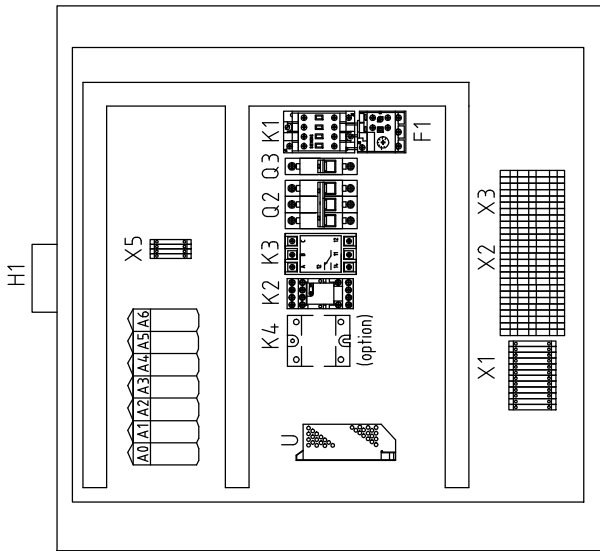
Mark	Before modification	Modified by	Modify date	Drawer	Version	Title	Drawing NO.		Scale	Page
	After modification	Modified by	Modify date				Designer	Approved by		
						SGB-200-4 Electrical Principle 6	SGB-200-4-CE-230V-G-6	CE		6
						 信易電熱機械股份有限公司 Shini Plastics Technologies, Inc.				3φ230V



机型版本 Ver.D

Mark	Before modification	Modified by	Modified date	Proofread by	Checked by	Designer	Drawer	Version	G	Title	Drawing NO.		Page	7
	After modification										SGB-200-4-CE-230V-G-7			
												Voltage	3φ230V	
												Frequency	50/60HZ	


  
**信易電熱機械股份有限公司**  
**Shini Plastics Technologies, Inc.**



机型版本 Ver.D

Title SGB-200-4 Elec. layout & Wiring Diagram		Drawing NO. SGB-200-4-CE-230V-G-8		Scale Standard	CE	Page 8	Totally 10	Pages
Version G		Approved by		Voltage 3φ230V		Frequency 50/60HZ		
Drawer	Designer	Proofread by	Checked by	Modify date	Modified by	After modification	Before modification	Mark



1	2		3	4	5	6	7	8
NO.	Symbol	Name	Manufacturer	Type	Specification	Number	Material number	Remark
1	Q1	Main power switch	EATON	T0-2-1/EA/SVB	20A	1	YE10021160000	
2	Q2	Circuit-breakers	TECO	BM-63C 3P	6A	1	YE40300603000	
3	Q3	Circuit breaker	TECO	BM-63C	3A	1	YE40100203000	
4	S3	Capacitive proximity switch	IFM	KI 5082	10~36VDC	1	----	(1)
5	S7~S10	Capacitive proximity switch	IFM	KI 5082	10~36VDC	4	----	(1) (2)
6	S5	Safety switch	SCHMERSRC	AZ152YK-14.76	AC-15	1	----	(1)
7	S6	Pressure switch	FOX	K4SA02	1~12KG	1	----	(1)
8	K1	Contactors	SIEMENS	3RT6015-1AN21	230V 50/60Hz	1	YE00601521000	
9	K2	Middle relay	WEIDMULLER	DRM270024LT	24VDC 12A	1	YE032724-00000	
10	K3	Phase sequence relay	CHAOSHI	ABJ-10W	230V	1	YE03102200000	
11	K4	Solid state relay	FOTEK	KSR-40DA-H	40A/480VAC/4-32VDC	1	YE03404003200	(5)
12	F1	Thermal overload relays	SIEMENS	3RU6116-1AB0	1.1-1.6A	1	YE01160110000	
13	U	DC power	MEAN WELL	S-100-24	+24V 4.5A	1	YE71102400000	
14	A0~A7	4组份称重材料控制器/Controller	B&R	-----	-----	1	YE80024000100	Cancel
15	A0	CPU/controller	B&R	X20 CP04.10	----	1	YE80041000200	New
16	A1	CPU base	B&R	X20 BB52	----	1	YE80041100300	New
17	A1	Power module	B&R	X20 PS9600	----	1	YE80960000000	New
18	A2	Input module	B&R	X20 DI9371	----	1	YE80937100000	New
19	A3	Weighing module	B&R	X20 AI174.4	----	1	YE80200000500	New
20	A4	Output module	B&R	X20 DO9322	----	1	YE80209300000	New
21	A5	Common module	B&R	X20 CM8281	----	1	YE80200000700	New
22	A6	Output module	B&R	X20 DO6322	----	1	YE80632200000	New
23		12 core terminal block	B&R	X20 TB12	----	6	YE80201100000	New
24		I/O bus module	B&R	X20 BM11	----	5	YE80200100000	New
25	HMI	Human-machine interface	SCHNEIDER	GXU3512	24VDC	1	YE80351200100	
机型版本 Ver.D								
Notes: (1) Materials not in the control box; (2) Optional low level sensor; (3) Optional bridge breaking valve; (4) Optional shut-off valve;								
			Drawer	Version	Title		Scale	Page 9
			Designer	G	SGB-200-4		Standard	Totally 10 Pages
			Proofread by	Approved by	Elec. Parts List 1		CE	
			Checked by	Date	SGB-200-4-CE-230V-G-9		Voltage	3φ230V
Mark			Before modification	Modify date	20201027		Frequency	50Hz
			After modification					
1	2	3	4	5	6	7	8	




信易电热机械股份有限公司  
Shini Plastics Technologies, Inc.

1	2		3		4	5		6		7	8	
NO.	Symbol	Name	Manufacturer	Type	Specification	Number	Material number	Remark				
26	H1	3-color alarm lamp buzzer	SHINI	PK-27A	24VDC	1	BL90002401520					
27	X1	Terminal	Honeywell	SK2.5	2.5mm <sup>2</sup>	8	YE60002503200					
28	X1	Terminal	Honeywell	GK2.5PE	2.5mm <sup>2</sup> PE	4	YE60002503400					
29	X1	Terminal	Honeywell	SK2.5	2.5mm <sup>2</sup>	2	YE60002503200	(5)				
30	X2,X3	Terminal	Honeywell	SK2.5-TL	250V 2.5	15	YE60002503600					
31	X2	Terminal	Honeywell	SK2.5-TL	250V 2.5	2	YE60002503600	(3)(4)				
32	X5	Terminal	Honeywell	SK2.5	2.5mm <sup>2</sup>	7	YE60002503200					
33		Terminal fittings E/GK series	HONEYWELL	-----	-----	6	YE60000003900					
34		Spring wiring terminal SK-2.5TL bridging connectors	HONEYWELL	FB10-2.5	-----	4	YE60001003600					
35	X11~X14	Heavy duty connector	HARTING	Han 4A-F	4P+PE	4	YE68000401400					
36	X10	Heavy duty connector	HARTING	Han Q5/0-F	5P+PE	1	YE68000501400					
37	X15	Heavy duty connector	HARTING	Han Q5/0-M/F	5P+PE	1	YE68000501200					
38		Cable head	JUKUANG	PG11	PCS	1	YE67001100000					
39	WS	Comm. bus	SHINI	3C×0.75mm <sup>2</sup> +2C×0.5mm <sup>2</sup>	M	3	YE51102900000					
40		9-pin serial interface (female) has housing and screw	-----	-----	PCS	1	YE62090000100					
41	FM	Cooling fan	SVNQN	-----	220~230VAC 50/60HZ	1	YM60922500100					
42	M1	Mixing motor	MOTOVARIO	0.25kW	230V 50/60Hz	1	-----	(1)				
43	WS1	Super 5 freq. with network jumper 1M/Ethernet line	-----	-----	-----	1	YE90000101600					
44	X16	以太网插座/Ethernet connector	-----	RJ45F71	-----	1	YE64457400000	Cancel				
45	X16	Ethernet connector	LINGKE	LP-16-J/RJ45/110/SX-03-201	-----	1	YE68164501100	New				

机型版本 Ver.D

Notes: (1) Materials not in the control box; (2) Optional low level sensor; (3) Optional bridge breaking valve; (4) Optional shut-off valve;

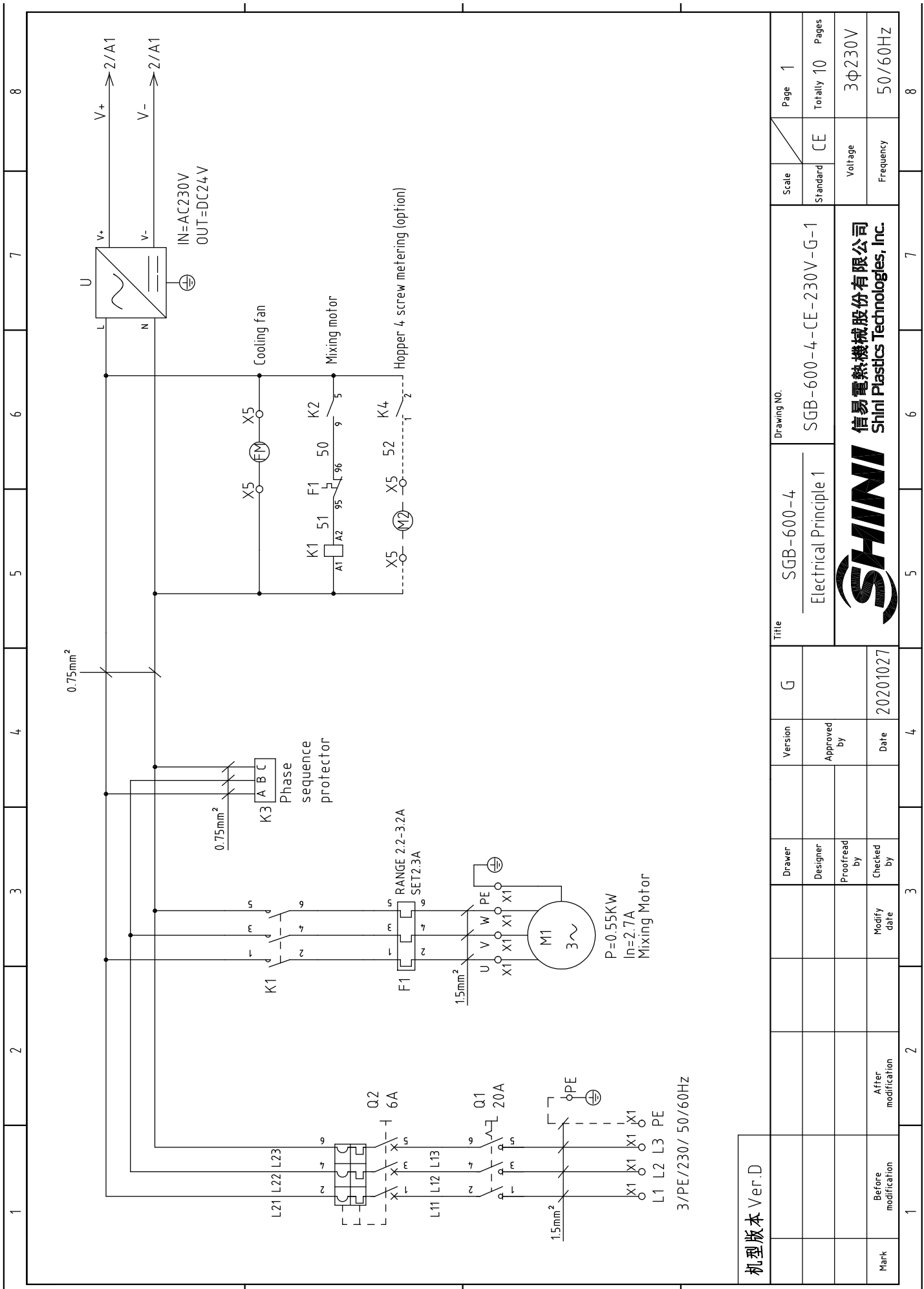
Title		Drawing NO.		Scale		Page	
SGB-200-4		SGB-200-4-CE-230V-G-10		Standard		CE	
Elec. Parts List 2				Voltage		3φ230V	
Date		Approved by		Frequency		50Hz	
20201027							



信易電熱機械股份有限公司  
Shini Plastics Technologies, Inc.

1 2 3 4 5 6 7 8



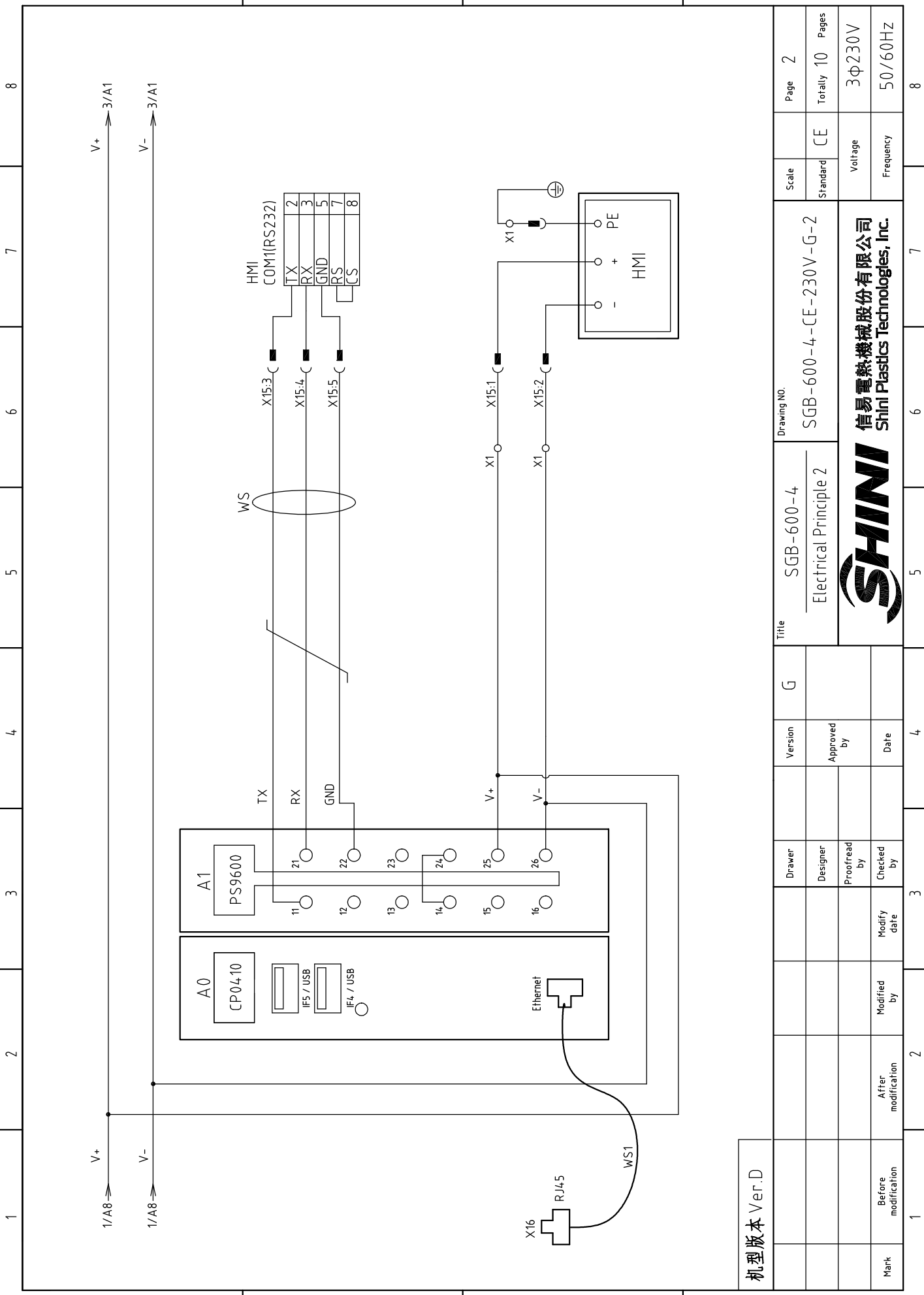


机型版本 Ver.D

Mark	Before modification	After modification	Modify date	Checked by	Proofread by	Designer	Drawer	Version	G	Title	SGB-600-4 Electrical Principle 1	Drawing NO.	SGB-600-4-CE-230V-G-1	Scale	Standard CE	Page 1	Totally 10	Pages	
								Approved by											3φ230V
								Date	20201027										50/60Hz
1	2	3	4	5	6	7	8												



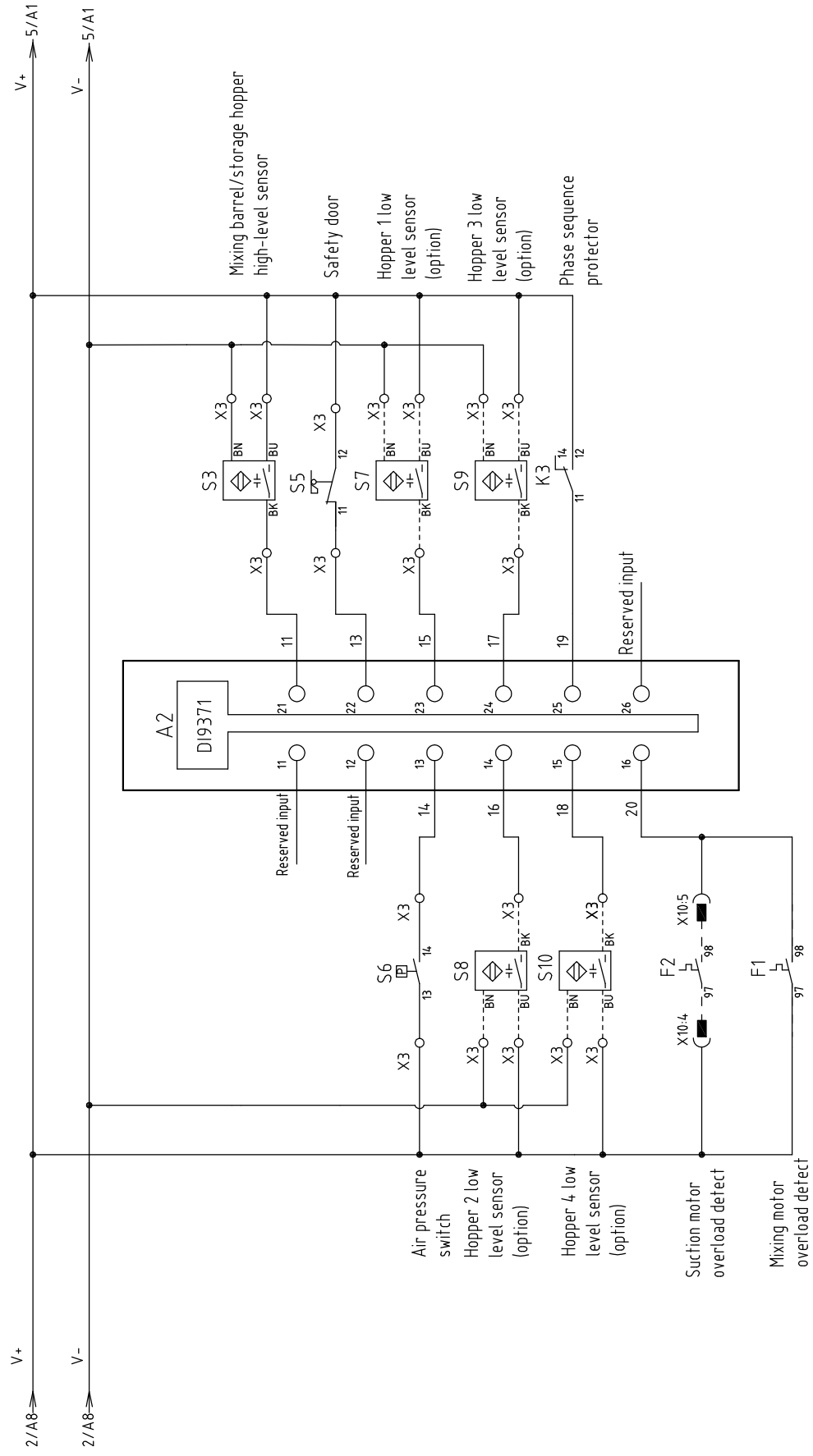
信易电热机械股份有限公司  
Shini Plastics Technologies, Inc.



机版本 Ver.D

Mark	Before modification	Modified by	Modify date	Checked by	Proofread by	Designer	Drawer	Version	G	Title	Drawing NO.		Scale	Page
										SGB-600-4 Electrical Principle 2	SGB-600-4-CE-230V-G-2		CE	2
								Approved by						Totally 10
								Date						Pages
														30230V
														50/60HZ
1	2	3	4	5	6	7	8							

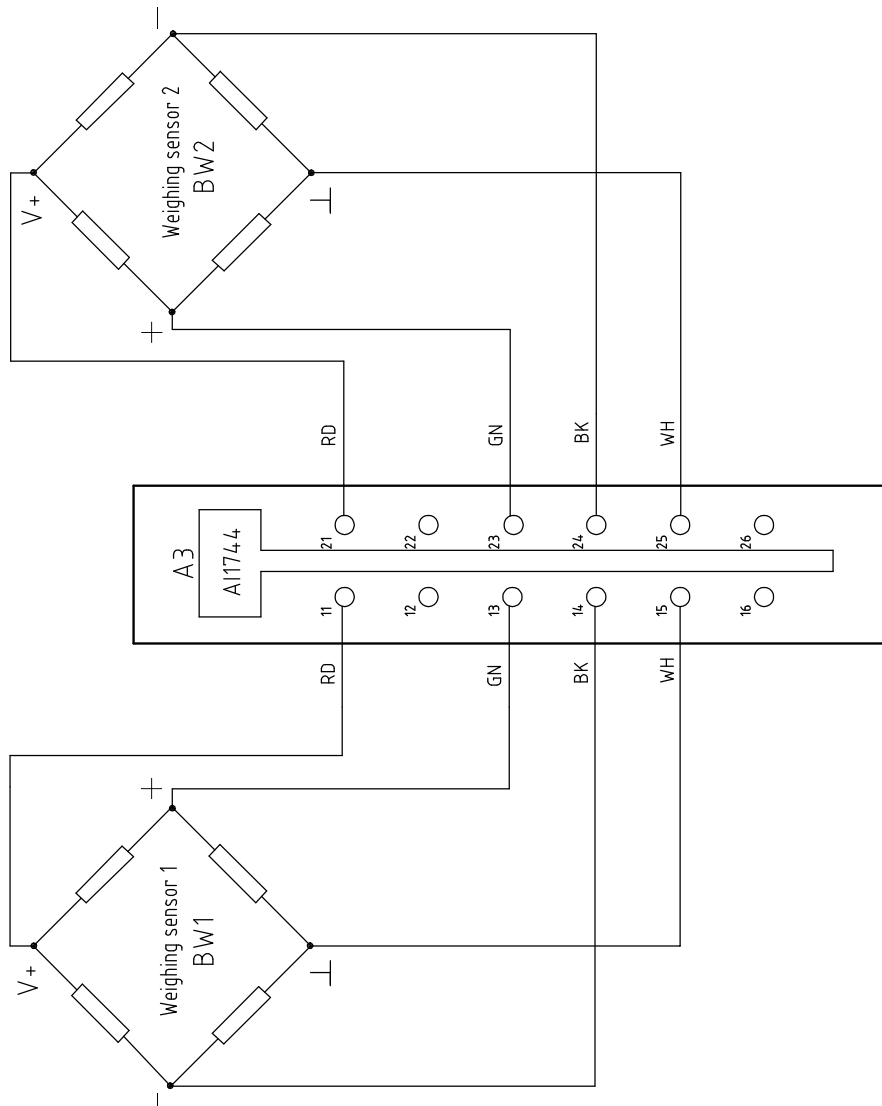




机型版本 Ver.D

Mark	Before modification	Modified by	Modify date	Designer	Proofread by	Checked by	Date	Version	G	Title	Drawing NO.		Scale	Page 3
	After modification	Modified by	Modify date								SGB-600-4 Electrical Principle 3			
											CE	Voltage	3 φ230V	
												Frequency	50/60Hz	

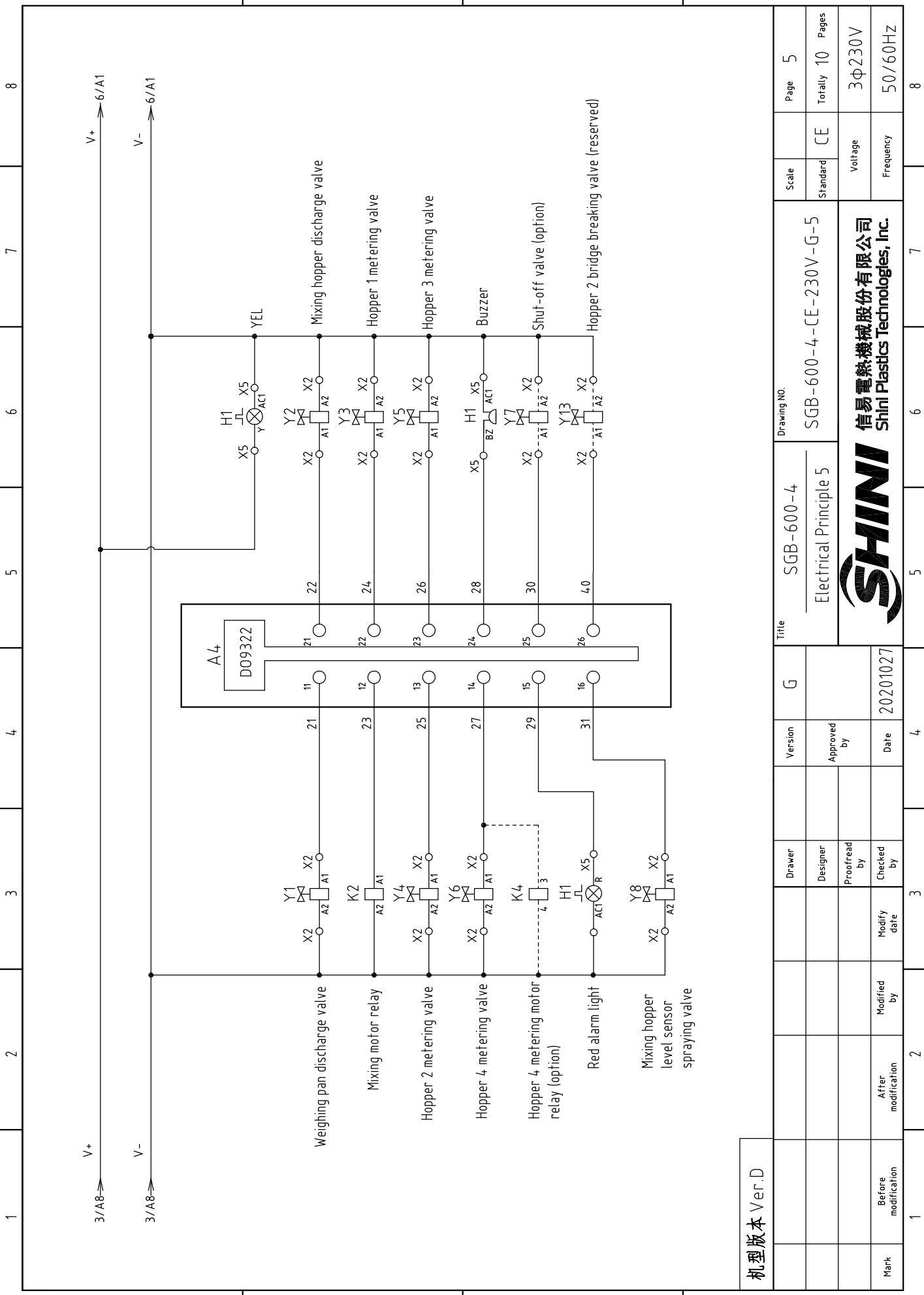
**SHINI**  
 信易電熱機械股份有限公司  
 Shini Plastics Technologies, Inc.



机型版本 Ver.D

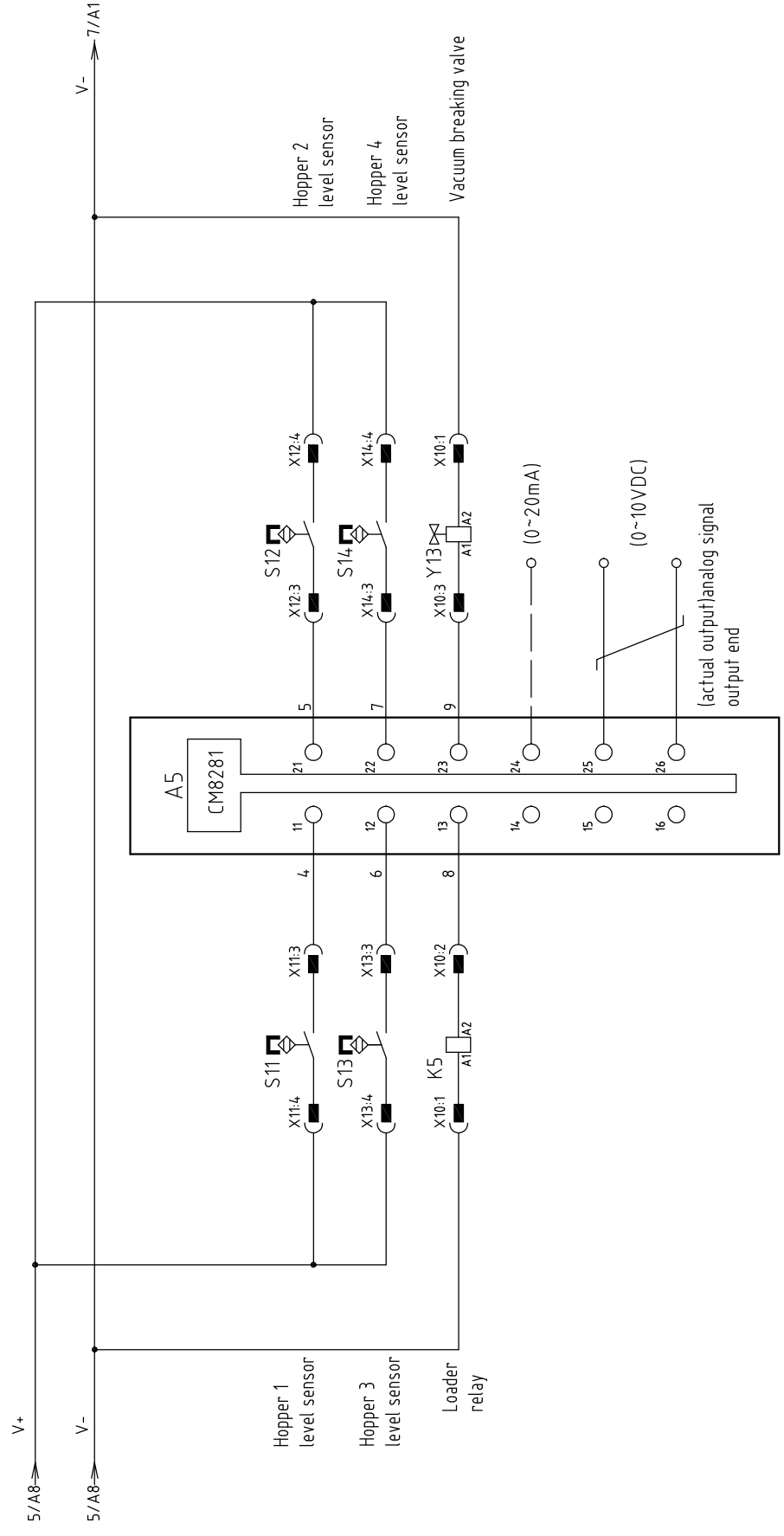
Mark	Before modification	Modified by	Modify date	Checked by	Proofread by	Designer	Drawer	Version	G	Title	Drawing NO.		Scale	Page	
	After modification	Modified by	Modify date	Checked by	Proofread by	Designer	Drawer				SGB-600-4	Electrical Principle 4			SGB-600-4-CE-230V-G-4
														Voltage	Frequency


  
**信易電熱機械股份有限公司**  
**Shini Plastics Technologies, Inc.**



机版本 Ver.D

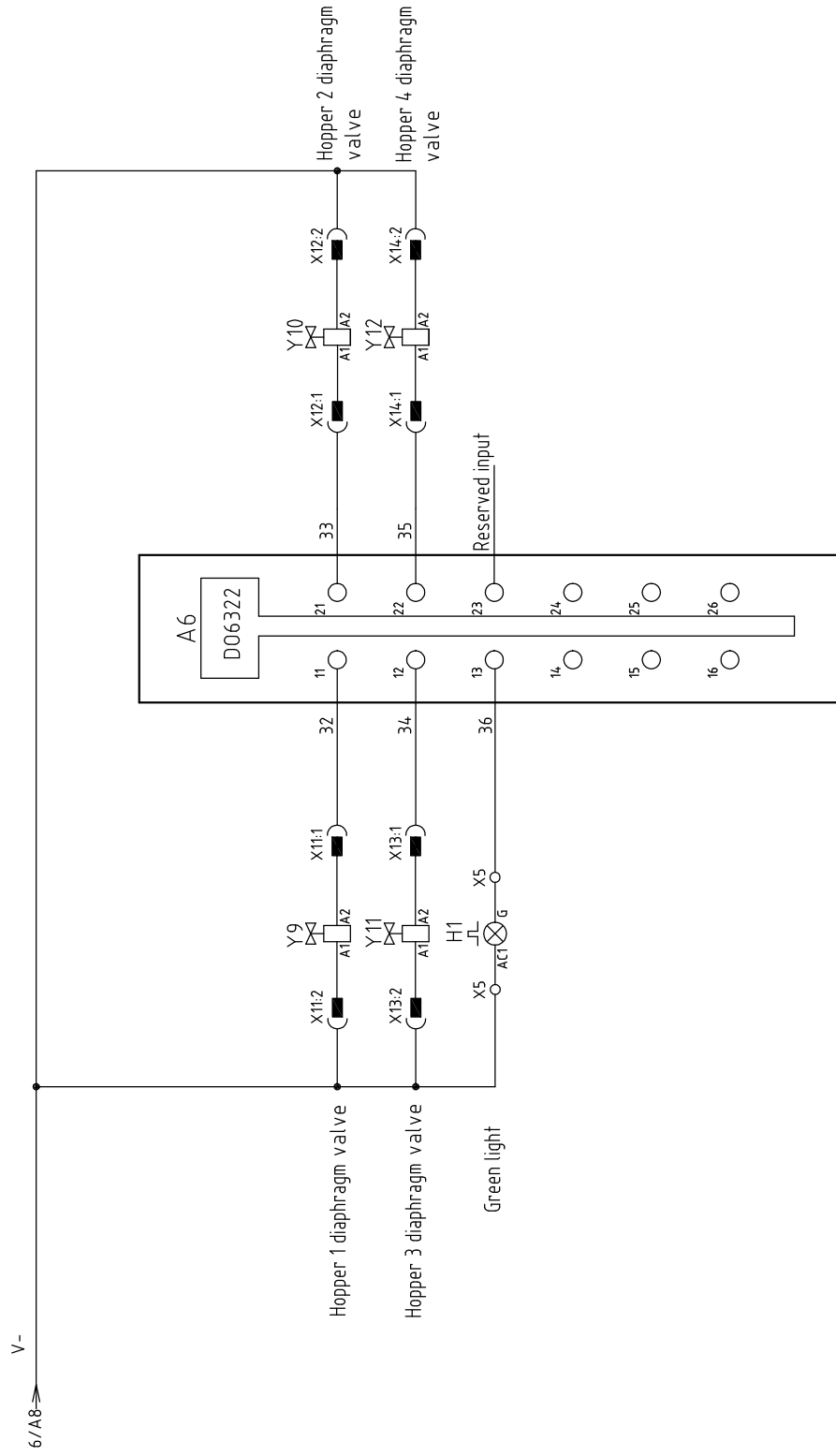
Mark	Before modification	Modified by	Modify date	Checked by	Date	20201027	Approved by	Version	G	Title	SGB-600-4 Electrical Principle 5		Scale	Standard	CE	Page	5
Mark	After modification	Modified by	Modify date	Checked by	Date	20201027	Approved by	Version	G	Title	SGB-600-4 Electrical Principle 5		Scale	Standard	CE	Page	5
<p>SHINI 信易电热机械股份有限公司 Shini Plastics Technologies, Inc.</p>																	
<p>Drawing NO. SGB-600-4-CE-230V-G-5</p>																	
<p>Voltage 3φ230V Frequency 50/60Hz</p>																	
<p>Page 5 Totally 10 Pages</p>																	



机型版本 Ver.D

Mark	Before modification	After modification	Modified by	Modify date	Checked by	Proofread by	Designer	Drawer	Version	G	Title	Drawing NO.		Scale	Page
											SGB-600-4 Electrical Principle 6	SGB-600-4-CE-230V-G-6		Standard	6
									Approved by					CE	Totally 10
									Date						Pages
															3 φ 230V
															50/60HZ

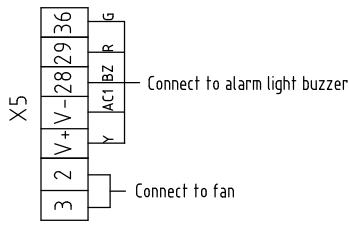
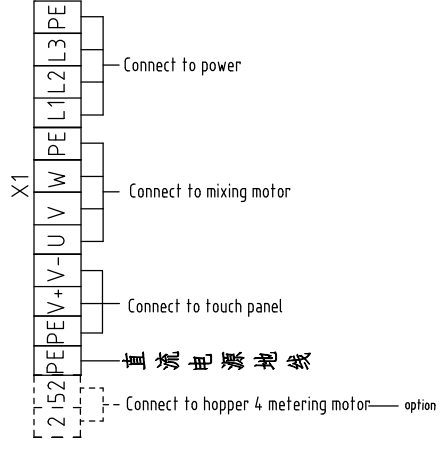
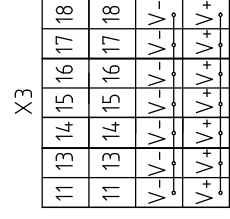
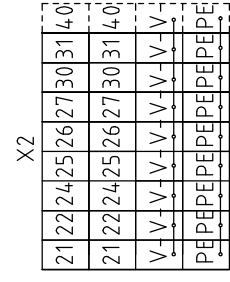
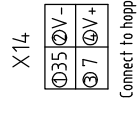
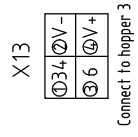
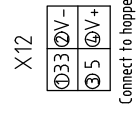
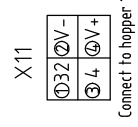
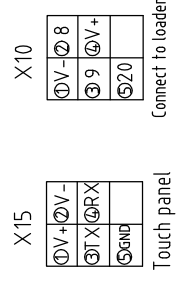
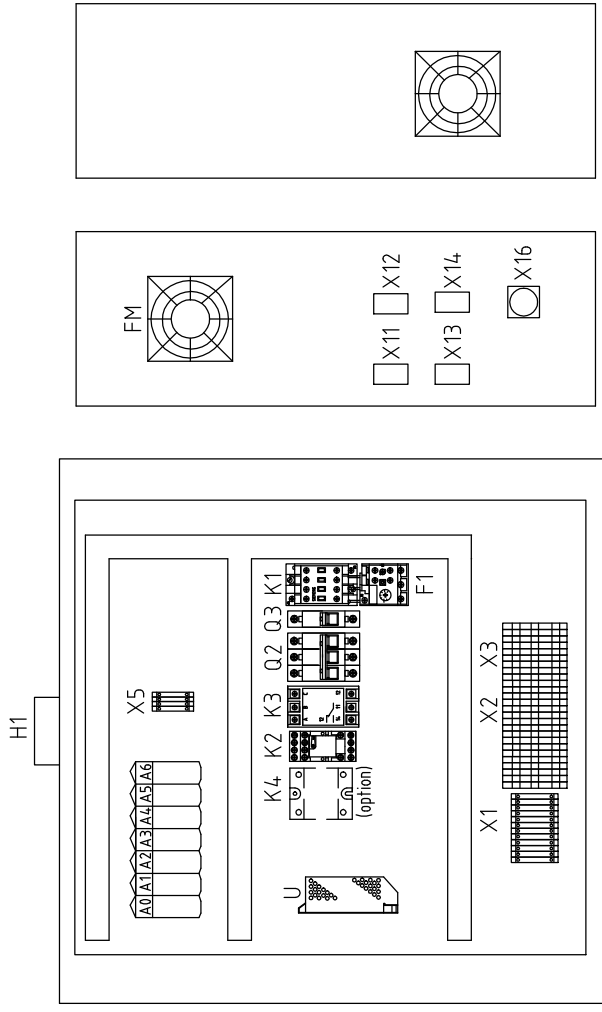




机型版本 Ver.D

Mark	Before modification	Modified by	Modify date	Checked by	Approved by	Version	G	Title	Drawing NO.		Scale	Page
	After modification							SGB-600-4 Electrical Principle 7	SGB-600-4	SGB-600-4-CE-230V-G-7	Standard CE	Totally 10
												3φ230V
												50/60HZ





机型版本 Ver.D	Drawer	Version	Title		Scale	Page
	Designer	G	SGB-600-4		Standard	8
Mark	Proofread by	Approved by	Elec. layout & Wiring Diagram		Voltage	Totally 10 Pages
	Checked by	Date	SGB-600-4-CE-230V-G-8		Frequency	3φ230V
After modification	Modify date	Modified by	信易电热机械股份有限公司 Shini Plastics Technologies, Inc.		Frequency	50/60Hz
Before modification	Modify date	Modified by	SHINI		Frequency	50/60Hz
1	2	3	4	5	6	7
						8

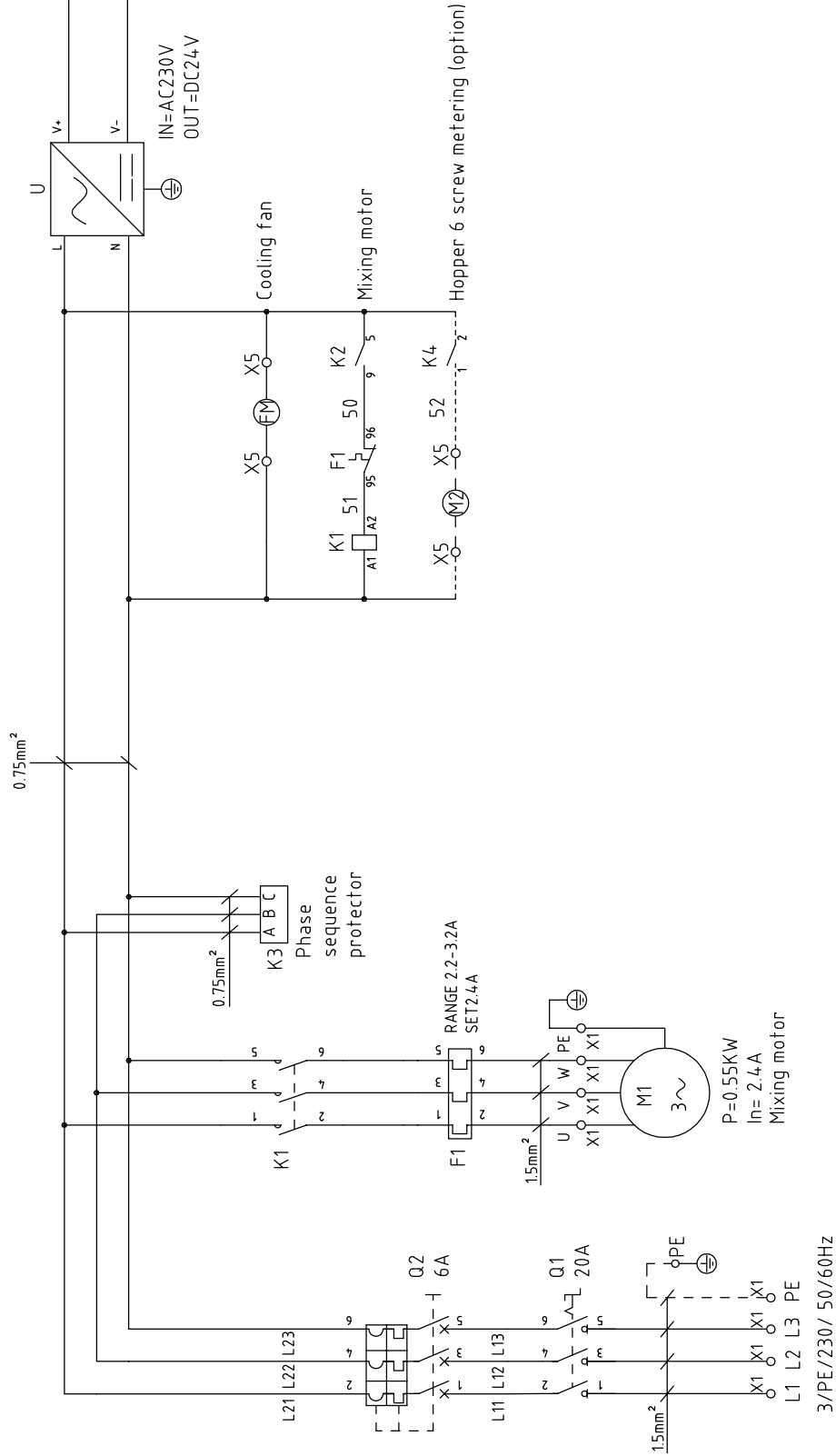


1	2		3	4	5	6	7	8
NO.	Symbol	Name	Manufacturer	Type	Specification	Number	Material number	Remark
1	Q1	Main power switch	EATON	TO-2-1/EA/SVB	20A	1	YE10021160000	
2	Q2	Circuit-breakers	TECO	BM-63C 3P	6A	1	YE40300603000	
3	Q3	Circuit breaker	TECO	BM-63C	3A	1	YE40100203000	
4	S3	Capacitive proximity switch	IFM	KI 5082	10~36VDC	1	----	(1)
5	S7~S10	Capacitive proximity switch	IFM	KI 5082	10~36VDC	4	----	(1) (2)
6	S5	Safety switch	SCHMERSRC	AZ152VK-1476	AC-15	1	----	(1)
7	S6	Pressure switch	FOX	K4SA02	1~12KG	1	----	(1)
8	K1	Contactors	SIEMENS	3RT16015-1ANZ1	230V 50/60Hz	1	YE00601521000	
9	K2	Middle relay	WEIDMULLER	DRM270024LT	24VDC 12A	1	YE03272400000	
10	K3	Phase sequence relay	CHAOSHI	ABJ-10W	230V	1	YE03102200000	
11	K4	Solid state relay	FOTEK	KSR-40DA-H	40A/480VAC/4-32VDC	1	YE03404003200	(5)
12	F1	Thermal overload relays	SIEMENS	3RU6116-IDB0	2.2-3.2A	1	YE01160220000	
13	U	DC power	MEAN WELL	S-100-24	+24V 4.5A	1	YE71102400000	
14	A0~A7	4组秤重量材料机控制器/Controller	B&R	-----	-----	1	YE80024000100	Cancel
15	A0	CPU/controller	B&R	X20 CP0410	-----	1	YE80041000200	New
16		CPU base	B&R	X20 BB52	-----	1	YE80041100300	New
17	A1	Power module	B&R	X20 PS9600	-----	1	YE80960000000	New
18	A2	Input module	B&R	X20 DI9371	-----	1	YE80937100000	New
19	A3	Weighing module	B&R	X20 AI1744	-----	1	YE80200000500	New
20	A4	Output module	B&R	X20 DO9322	-----	1	YE80209300000	New
21	A5	Common module	B&R	X20 CM8281	-----	1	YE80200000700	New
22	A6	Output module	B&R	X20 DO6322	-----	1	YE80632200000	New
23		12 core terminal block	B&R	X20 TB12	-----	6	YE80201100000	New
24		I/O bus module	B&R	X20 BM11	-----	5	YE80200100000	New
25	HMI	Human-machine interface	SCHNEIDER	GXU3512	24VDC	1	YE80351200100	
机 型 版 本 Ver.D								
Notes: (1) Materials not in the control box; (2) Optional low level sensor; (3) Optional bridge breaking valve; (4) Optional shut-off valve;								
			Drawer	Version	Title		Scale	Page 9
			Designer	Approved by	SGB-600-4		Standard	Totally 10 Pages
			Proofread by	Date	Elec. Parts List 1		CE	
			Checked by				Voltage	3 φ 230V
Mark			After modification	Modify date			Frequency	50/60Hz
1			2		3		4	
5			6		7		8	



信易電熱機械股份有限公司  
Shini Plastics Technologies, Inc.





Ver.C

Mark	Before modification	Modified by	Modify date	Checked by	Date	Proofread by	Designer	Drawer	Version	C	Title	Drawing NO.		Scale	Page
	After modification											SGB-600-6	SGB-600-6-CE-230V-C-1		
												Standard	Totally	Pages	
												Voltage	3/230V	12	
												Frequency	50/60Hz	8	





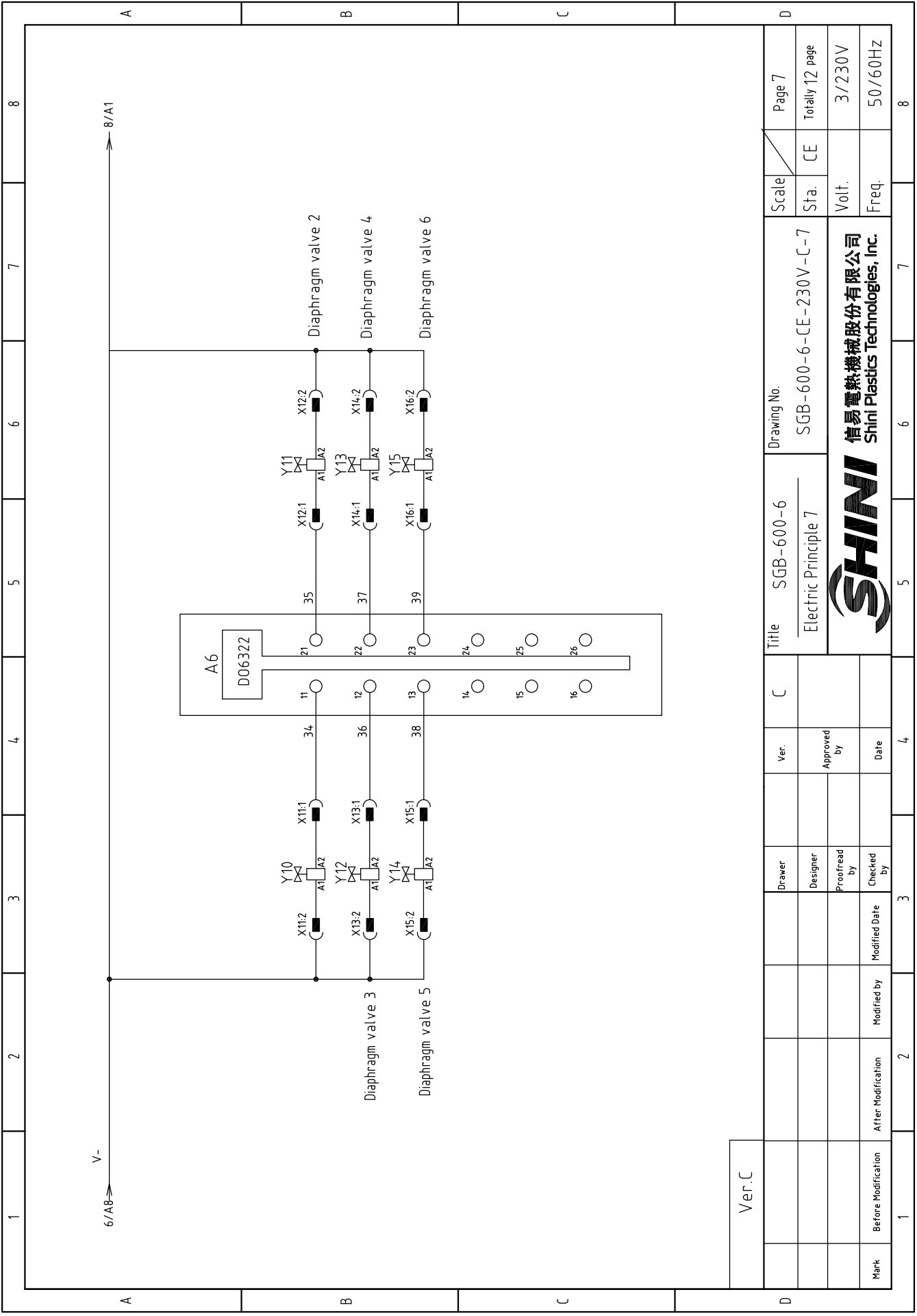










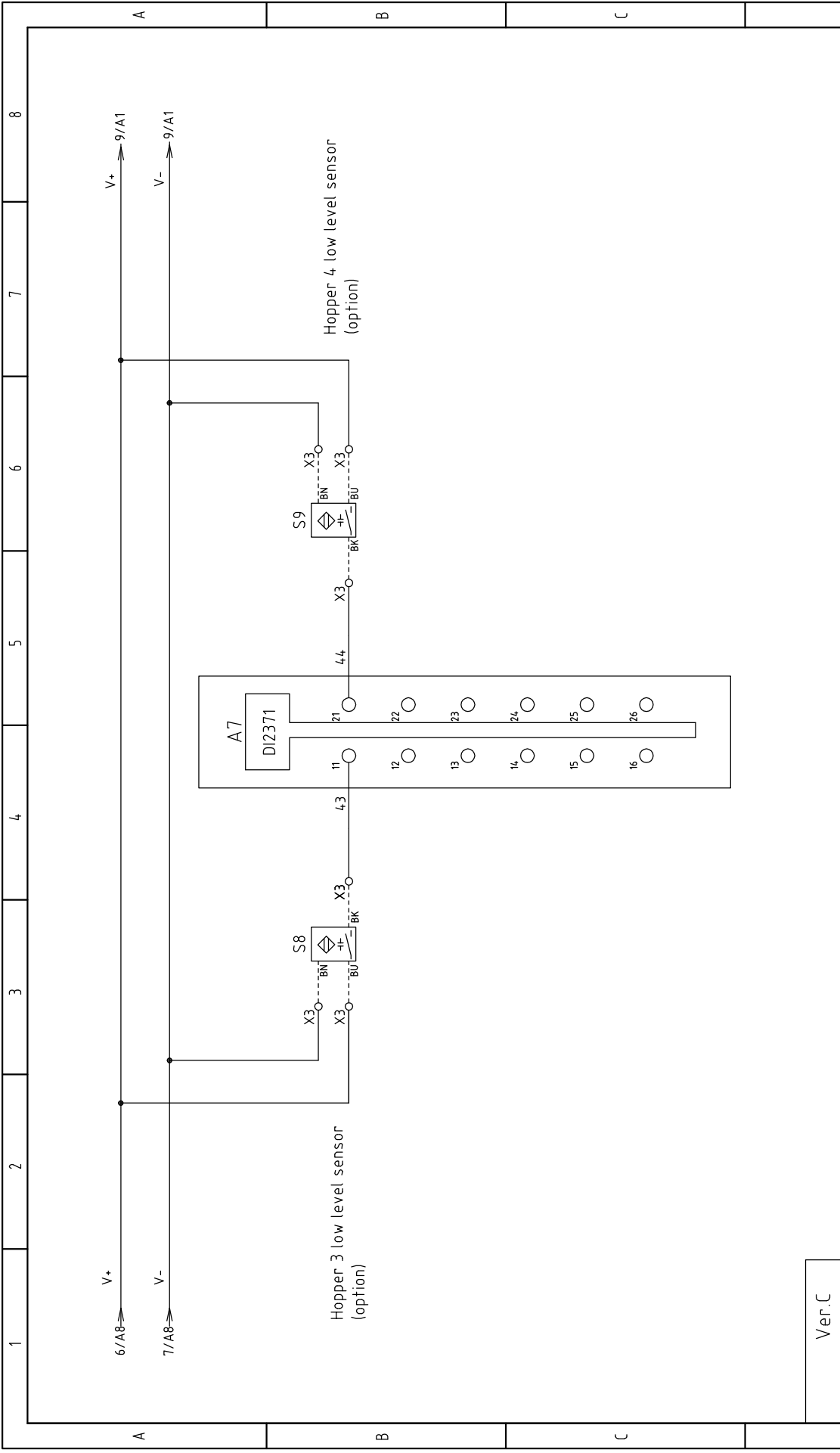


Ver.C	
Mark	Before Modification
	After Modification
	Modified by
	Modified Date
Drawer	
Designer	
Proofread by	
Checked by	
Ver.	
C	

Title		Drawing No.		Scale	Page
SGB-600-6		SGB-600-6-CE-230V-C-7		Sta. CE	Totally 12 page
Electric Principle 7				Volt.	3/230V
				Freq.	50/60Hz

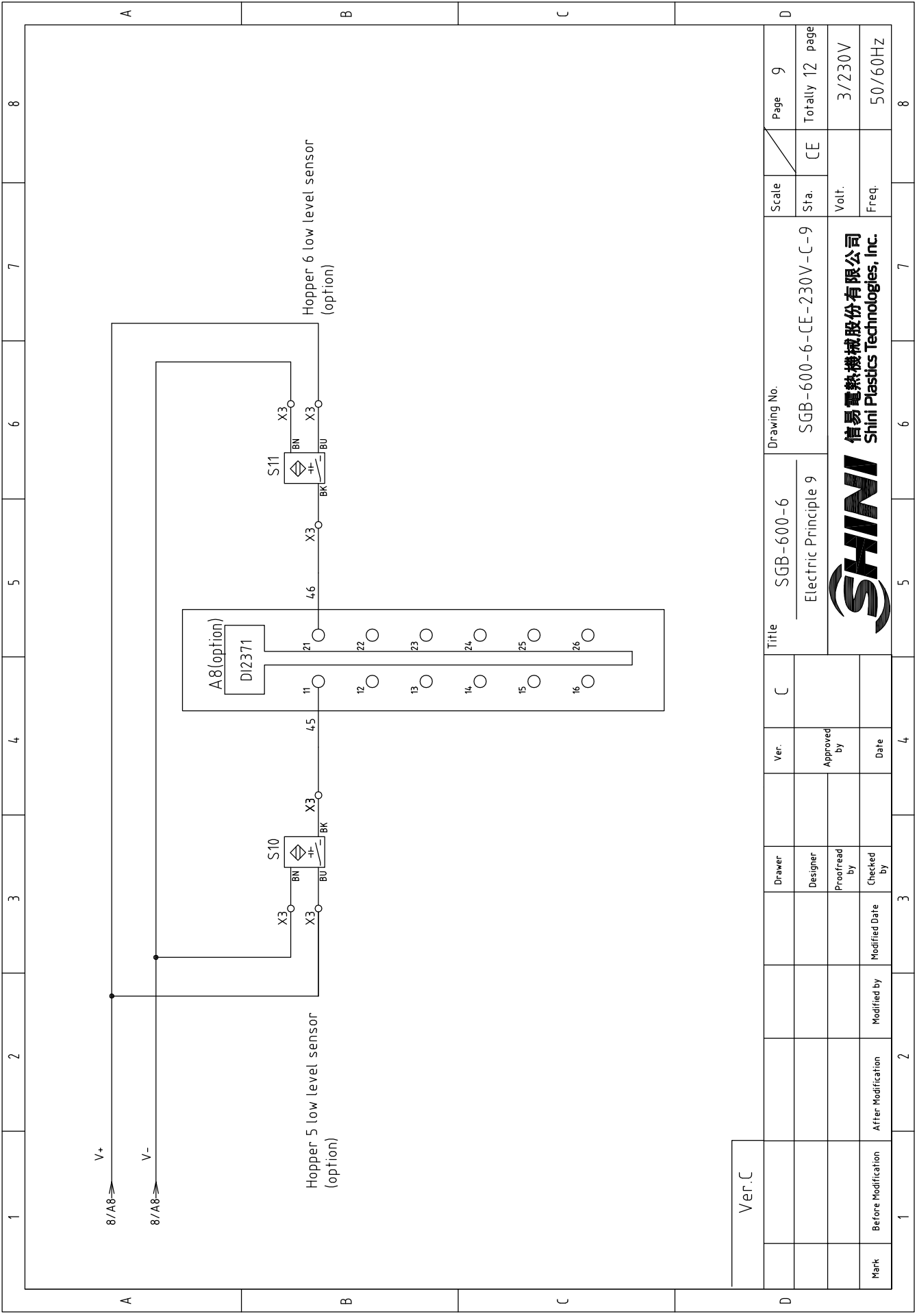


1	2	3	4	5	6	7	8
---	---	---	---	---	---	---	---



Ver.C

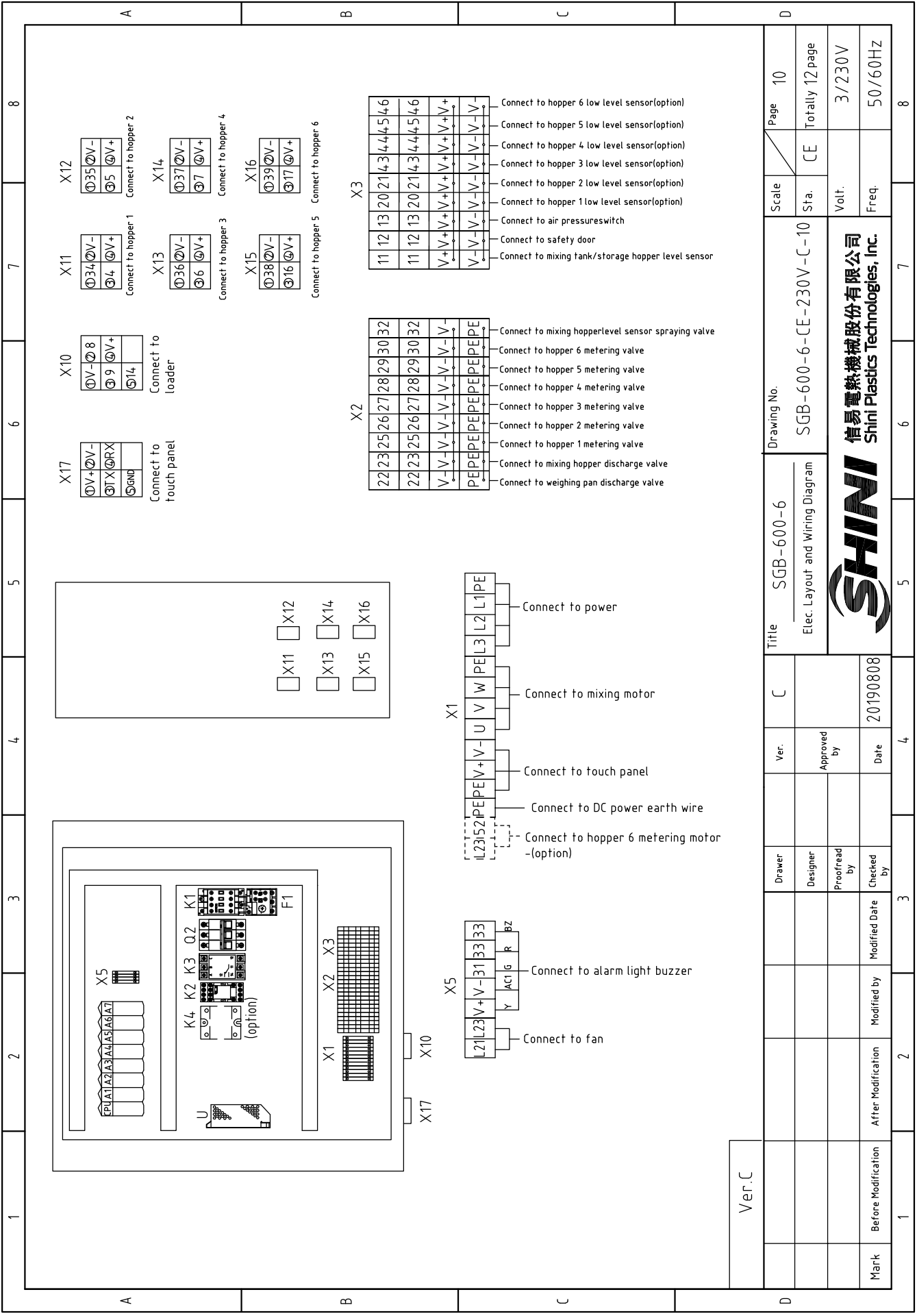
Mark	Before Modification	After Modification	Modified by	Modified Date	Checked by	Proofread by	Designer	Drawer	Ver.	C	Title		Drawing No.		Scale	Page 8	
											SGB-600-6		SGB-600-6-CE-230V-C-8		Sta.	Totally 12 page	
				20190808								Electric Principle 8		SG-600-6-CE-230V-C-8		CE	3/230V
<p align="center"><b>SHINI</b> 信易電熱機械股份有限公司 Shini Plastics Technologies, Inc.</p>														Freq.	50/60Hz		
1	2	3	4	5	6	7	8										



Ver.C	
Mark	Before Modification
	After Modification
	Modified by
	Modified Date
	Checked by
	Proofread by
	Designer
	Drawer
	Ver.
	Approved by
	Date

Title		Drawing No.		Scale		Page	
SGB-600-6		SGB-600-6-CE-230V-C-9		CE		9	
Electric Principle 9				Sta.		Totally 12 page	
				Volt.		3/230V	
				Freq.		50/60HZ	





Ver.C	Drawing No.		Scale	Page
	SGB-600-6		Sta.	10
Title		SGB-600-6-CE-230V-C-10		Totally
Elec. Layout and Wiring Diagram		CE		12 page
Ver.		Volt.		3/230V
Approved by		Freq.		50/60Hz
Date		20190808		
Drawer	Designer	Proofread by	Checked by	
Mark	Before Modification	After Modification	Modified by	Modified Date
1				



1		2		3		4		5		6		7		8	
NO.	Symbol	Name	Manufacturer	Type	Specification	Number	Material number	Remark							
1	Q1	Main Switch	EATON	T0-2-1/EA/SVB	20A	1	YE10021160000								
2	Q2	Circuit-Breakers	TECO	BM-63C 3P	6A	1	YE40300603000								
3	FU1	Fuse-Box	CHINT	RT18-32	2P	1	YE41032200000	Cancel							
4		Fuse	CHINT	40x38-500V	2A	2	YE46002000000	Cancel							
5	S3	Capacitive proximity switch	IFM	KI 5082	10~36VDC	1	----	(1)							
6	S6~S11	Capacitive proximity switch	IFM	KI 5082	10~36VDC	6	----	(1) (2)							
7	S5	Safety switch	SCHMERSRC	AZ152VK-14.76	AC-15	1	----	(1)							
8	S6	Pressure switch	FOX	K4SA02	1~12KG	1	----	(1)							
9	K1	Contactors	SIEMENS	3RT6015-1AN21	230V 50/60Hz	1	YE00601521000								
10	K3	Phase sequence protector	CHAOSHI	ABJ-10W	230V	1	YE03103800000								
11	K2	Middle relay	WEIDMULLER	DRM270024LT	24VDC 12A	1	YE03272400000								
12	K4	Relay	CARLO GAVAZZI	RS4A40D40E	20~48VDC	1	YE03404000000	(3) Cancel							
13	K4	Middle relay	FOTEK	KSR-40DA-H	40A/480VAC/4-32VDC	1	YE034040003200	(3)							
14	F1	Thermal overload relay	SIEMENS	3RU6116-1DB0	2.2~3.2A	1	YE01160220000								
15	U	DC power	MEAN WELL	S-100-24	+24V 4.5A	1	YE71102400000								
16	CPU,A1~A7	4-ingredient Gravimeter Blender controller	B&R	----	----	1	YE80024000100								
17	A8	Digital input module	B&R	X20 DI2371	----	1	YE80237100000	(2)							
18		Terminal block	B&R	X20 TB12	----	1	YE80201100000	(2)							
19		Bus module	B&R	X20 BM11	----	1	YE80200100000	(2)							
20	HMI	Human-machine interface	SCHNEIDER	GXU3512	24VDC	1	YE80351200100								
21	H1	Buzzer	SHINI	PK-27A	24VDC 50Hz	1	YE84002700000	Cancel							
22	H2	Pulse indicate lamp	-----	LFE-3051	24VDC 50Hz	1	YE03305100300	Cancel							
23	H1	Three-color alarm with buzzer	----	PK-27A	24VDC	1	BL90002401520	New							
24	BW1 BW2	Weighing sensor/Dose transducer	ZHONOGHANG	L6D-C3-15kg-1.4B	10VDC 2mV/V	2	----	(1)							
25	X1	Terminal	Honeywell	SK2.5	2.5mm <sup>2</sup>	8	YE60002503200								

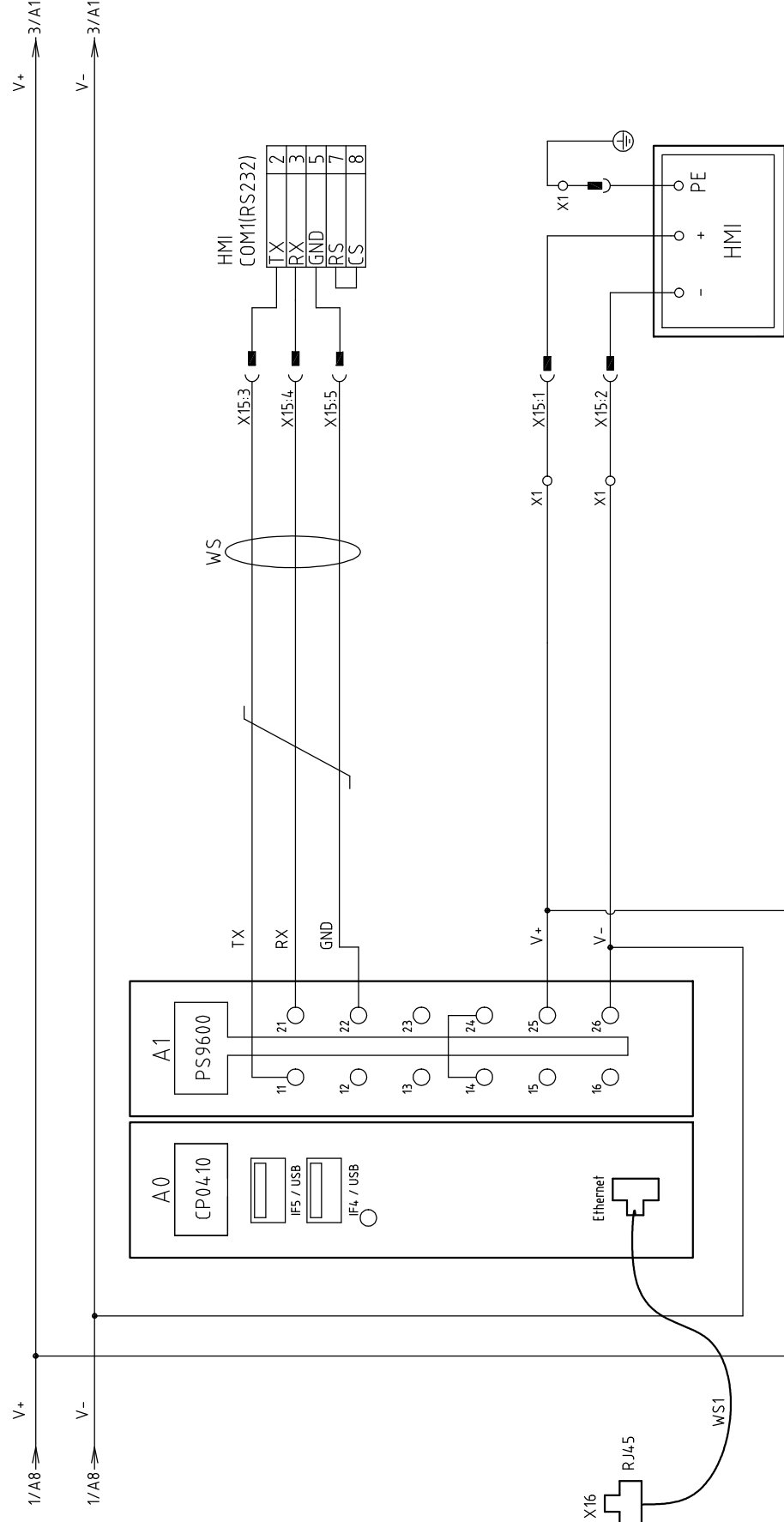
Ver.C		Notes: (1) Materials not in the control box; (2) Optional low level sensor; (3) Optional metering motor;											
1		Before modification	Modified by	Modify date	Checked by	Date	20190808	SHINI		信易电热机械股份有限公司 Shini Plastics Technologies, Inc.			
2		After modification	Modified by	Modify date	Checked by	Date	20190808	SHINI		信易电热机械股份有限公司 Shini Plastics Technologies, Inc.			
3		Drawn	Designer	Proofread by	Checked by	Date	20190808	SHINI		信易电热机械股份有限公司 Shini Plastics Technologies, Inc.			
4		Version	Approved by	Title		SGB-600-6		Electrical Parts List 1		SGB-600-6-CE-230V-C-11			
5		Scale	Standard		CE		Voltage		3/230V		Page 11		
6		Totally		12		Pages		50/60Hz		Frequency		50/60Hz	







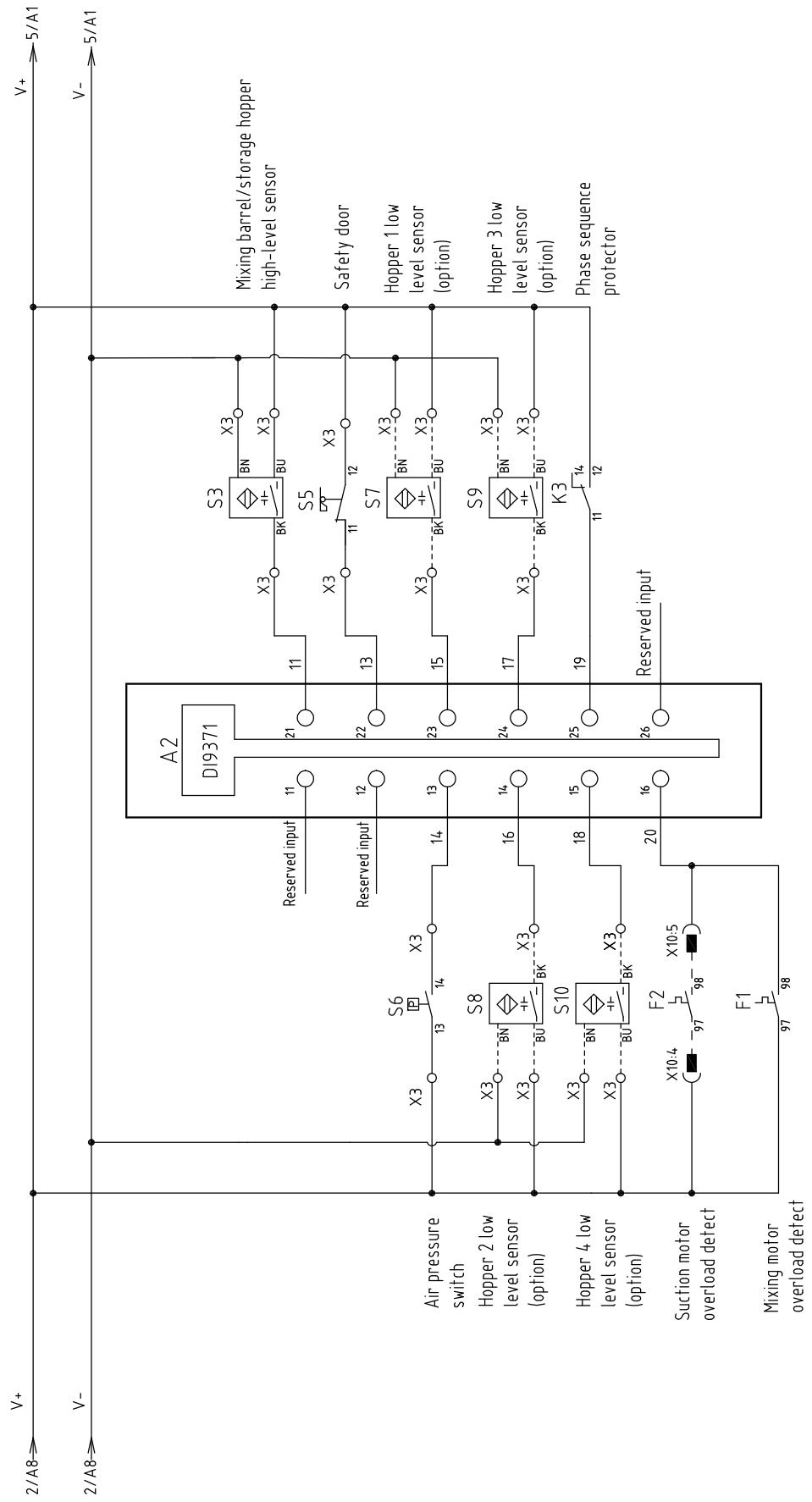




机型版本 Ver.E

Mark	Before modification	After modification	Modified by	Modify date	Checked by	Proofread by	Designer	Drawer	Version	D	Title		Scale		Page	
											SGB-1200-4 Electrical Principle 2	SGB-1200-4-CE-230V-D-2	Standard	CE	Totally 10 Pages	
															Voltage	3Φ230V
															Frequency	50/60HZ

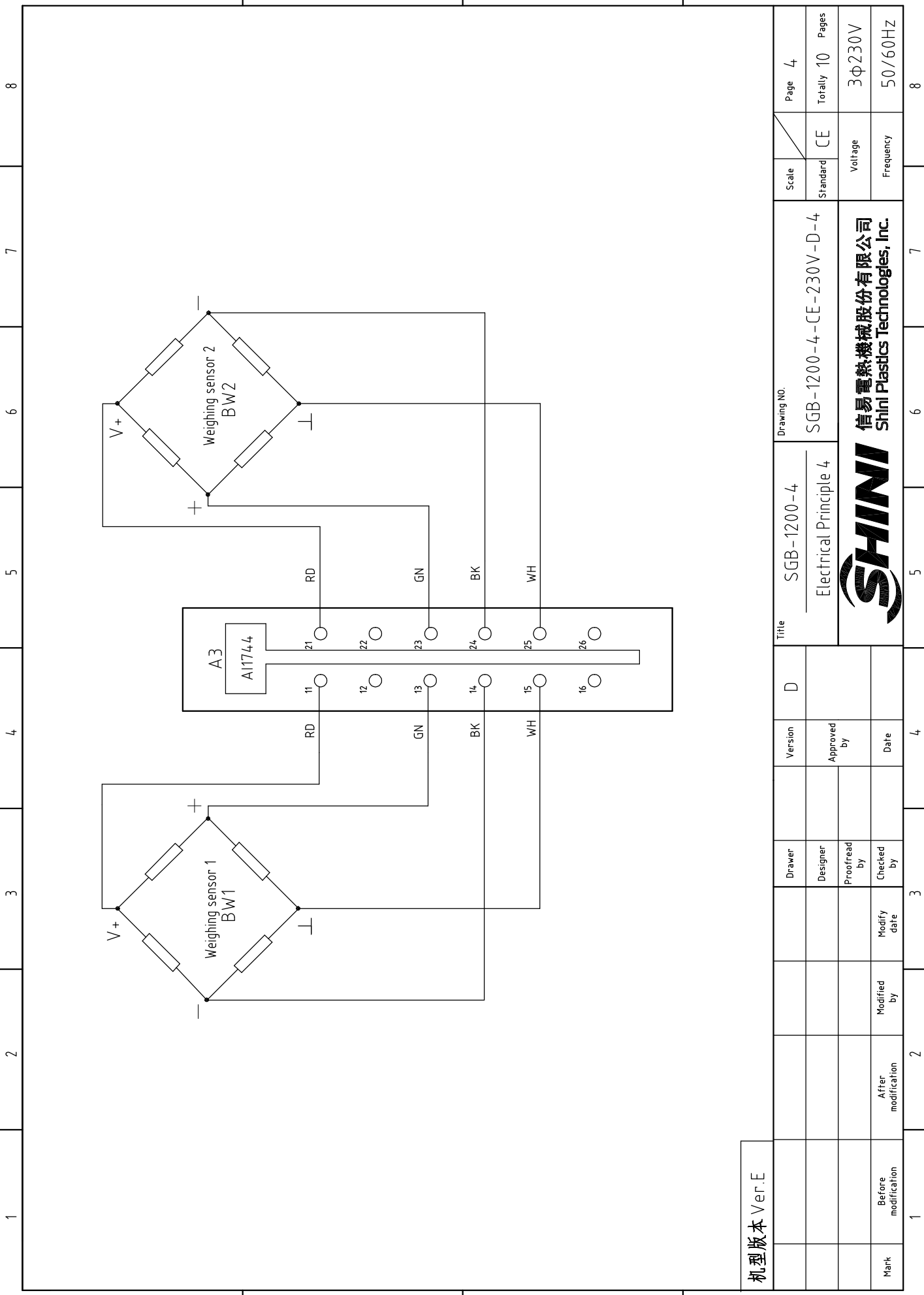

  
**信易電熱機械股份有限公司**  
**Shini Plastics Technologies, Inc.**




机型版本 Ver.E

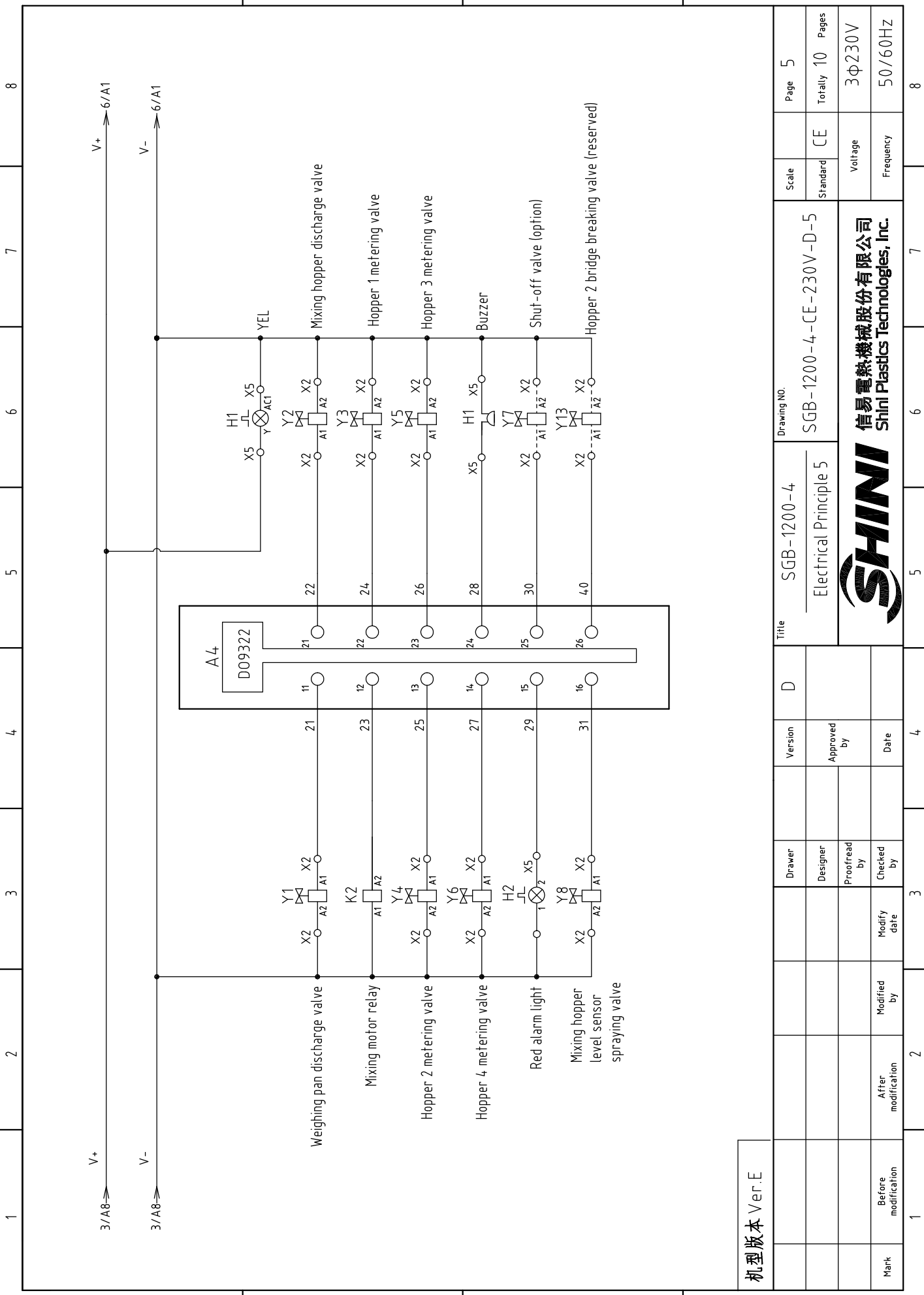
Mark	Before modification	Modified by	Modify date	Proofread by	Checked by	Date	Approved by	Version	Title	Drawing NO.		Scale	Page 3
	After modification									SGB-1200-4-CE-230V-D-3			
									Electrical Principle 3	CE	Pages	Voltage	3φ230V
											Frequency	50/60HZ	

**SHINI**  
 信易電熱機械股份有限公司  
 Shini Plastics Technologies, Inc.



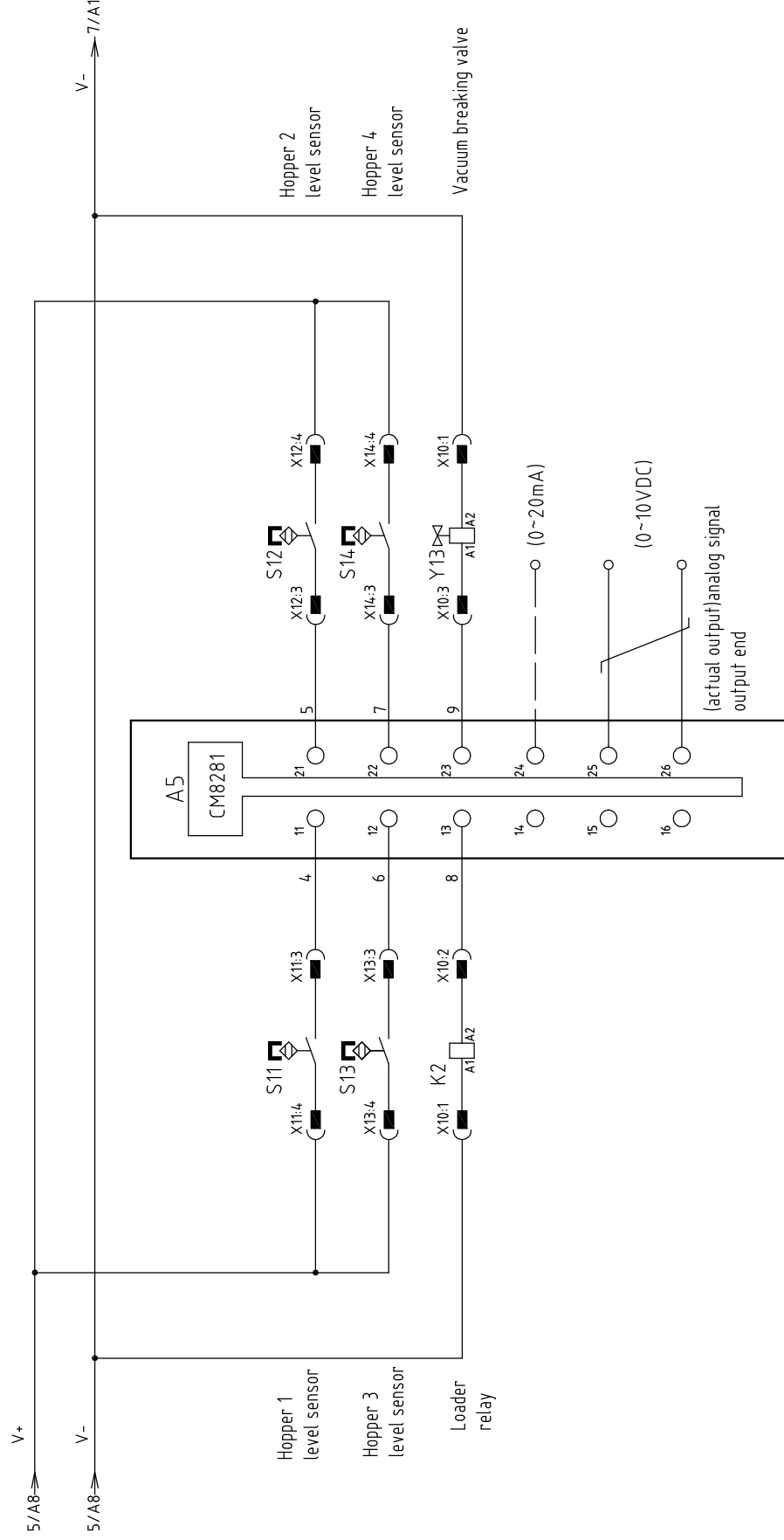
机型版本 Ver.E

Drawer	Version	Title		Scale	Page
Designer	Approved by	SGB-1200-4		Standard	Totally
Proofread by	Date	Electrical Principle 4		CE	10
Checked by	Modify date	SGB-1200-4-CE-230V-D-4		Voltage	3φ230V
Modified by	After modification	 信易电热机械股份有限公司 Shini Plastics Technologies, Inc.		Frequency	50/60Hz
Mark	Before modification				8



机型版本 Ver.E

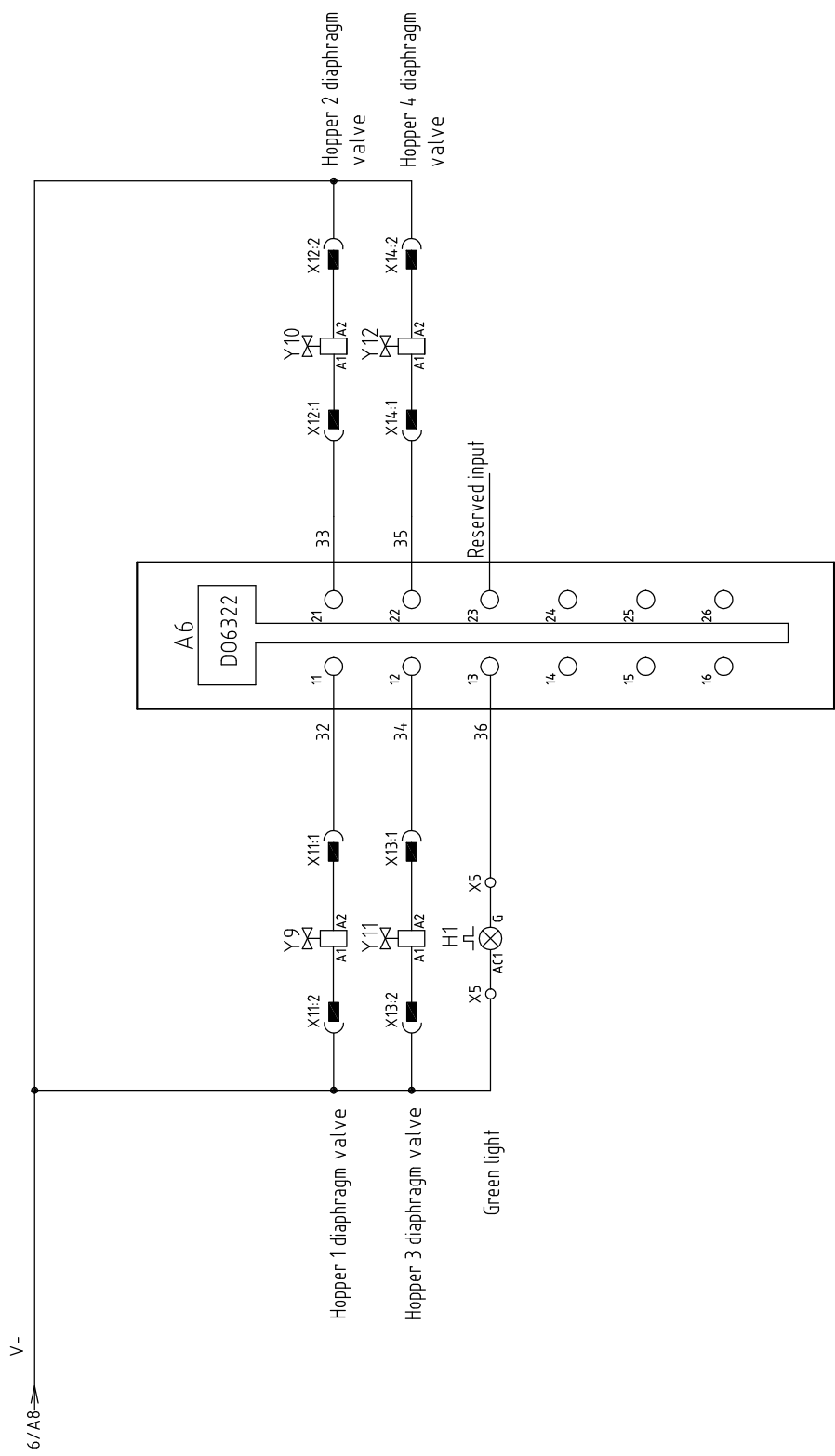
1	2	3	4	5	6	7	8
Title		SGB-1200-4		Drawing NO.		Page 5	
Electrical Principle 5		SGB-1200-4-CE-230V-D-5		Standard		CE	
Version		D		Voltage		3Φ230V	
Approved by		Date		Frequency		50/60HZ	
Designer		Proofread by		Modified by		Modified date	
Checked by		Checked by		After modification		Before modification	
Mark		1		2		3	
Totally		10		Pages		3Φ230V	
Scale		CE		Voltage		50/60HZ	
Standard		CE		Frequency		50/60HZ	
SHINI		信易熱機械股份有限公司		Shini Plastics Technologies, Inc.		8	



机型版本 Ver.E

Mark	Before modification	After modification	Modified by	Modify date	Checked by	Proofread by	Designer	Drawer	Version	D	Title		Drawing NO.		Scale	Page		
											SGB-1200-4 Electrical Principle 6	SGB-1200-4-CE-230V-D-6		Standard	CE	Totally	Pages	
																	3	10
																		6
																		3
																		230V
																		50/60HZ
																		8

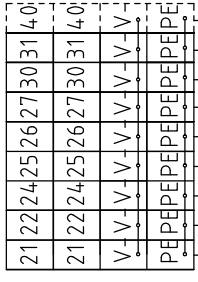
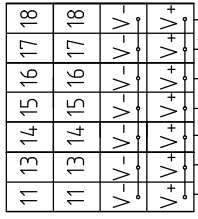
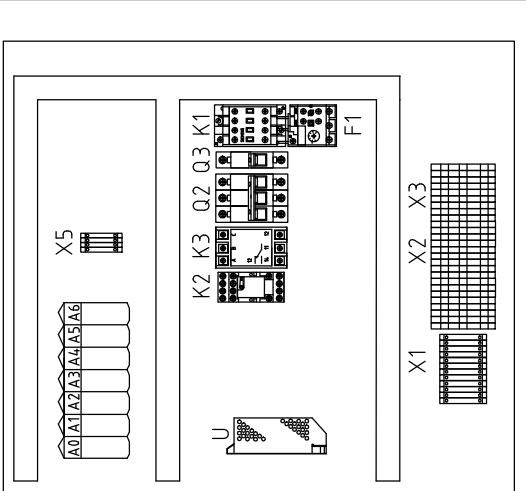
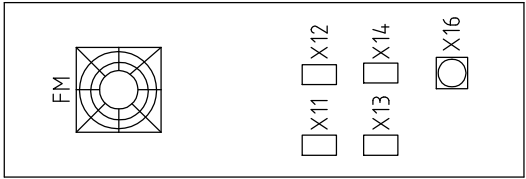
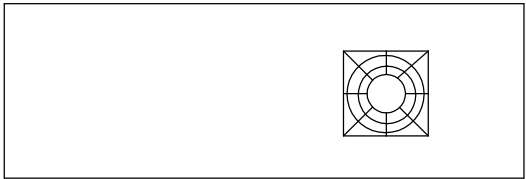
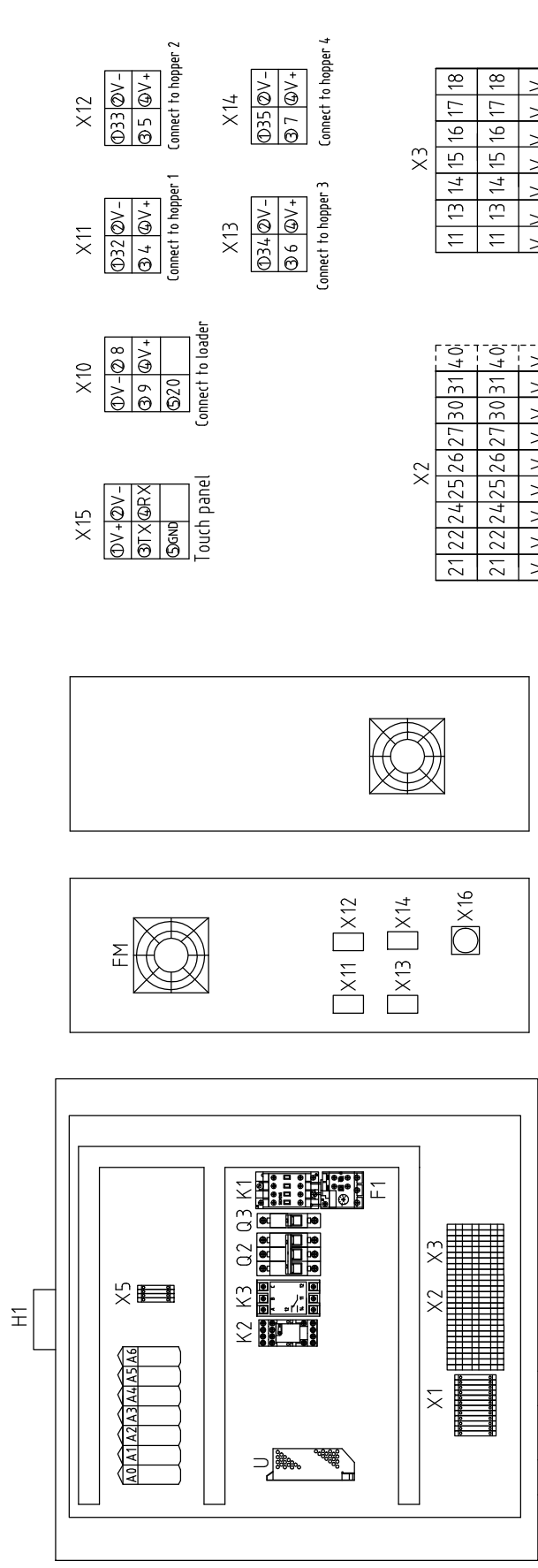




机型版本 Ver.E

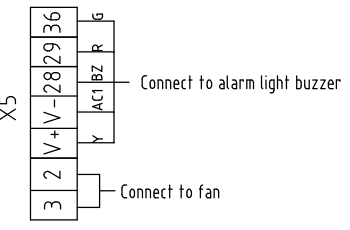
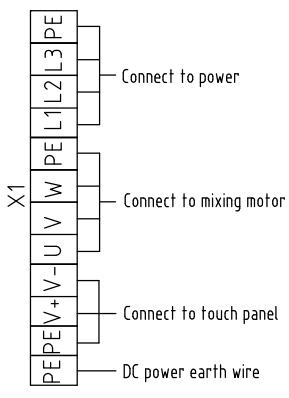
Mark	Before modification	Modified by	Modify date	Proofread by	Checked by	Designer	Drawer	Version	D	Title	Drawing NO.		Scale	Page
	After modification	Modified by	Modify date	Proofread by	Checked by	Designer	Drawer				SGB-1200-4	SGB-1200-4-CE-230V-D-7		
											CE	10	7	
											Voltage	3Φ230V		
											Frequency	50/60HZ		

**SHINI**  
 信易電熱機械股份有限公司  
 Shini Plastics Technologies, Inc.



- option Connect to hopper 4 low level sensor
- option Connect to hopper 3 low level sensor
- option Connect to hopper 2 low level sensor
- option Connect to hopper 1 low level sensor
- Connect to air pressure
- Connect to safety door
- Connect to mixing tank/storage hopper level sensor

- option Connect to hopper 2 bridge breaking valve (reversed)
- option Connect to mixing hopper level sensor spraying valve
- option Connect to shut-off valve
- Connect to hopper 4 metering valve
- Connect to hopper 3 metering valve
- Connect to hopper 2 metering valve
- Connect to hopper 1 metering valve
- Connect to mixing hopper discharge valve
- Connect to weighing pan discharge valve



机型号 Ver.E

Title	SGB-1200-4		Drawing NO.	SGB-1200-4-CE-230V-D-8		Scale	Page	8
	Elec. layout & Wiring Diagram			Standard	CE		Totally	10
Mark	Before modification	After modification	Modified by	Modify date	Voltage	3Φ230V		
						Frequency	50/60HZ	
机型号 Ver.E		Version		D	DC power earth wire		8	
Drawer		Designer		Approved by	Connect to touch panel		4	
Proofread by		Checked by		Date	Connect to mixing motor		3	
Connect to fan		Connect to alarm light buzzer		Connect to power		2		7
Connect to fan		Connect to alarm light buzzer		Connect to power		1		8



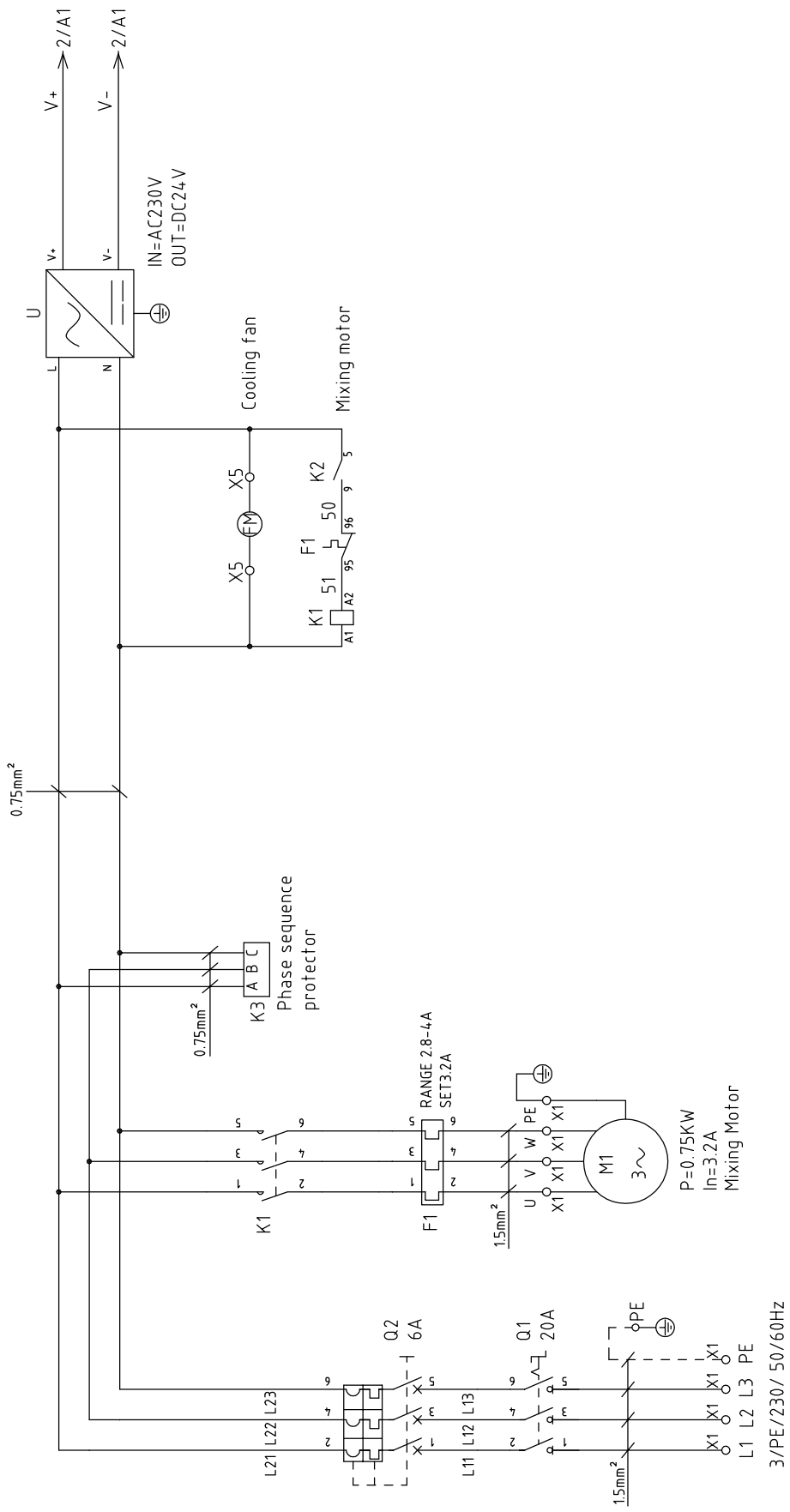
1	2	3	4	5	6	7	8	
NO.	Symbol	Name	Manufacturer	Type	Specification	Number	Material number	Remark
1	Q1	Main power switch	EATON	T0-2-1/EA/SVB	20A	1	YE10021160000	
2	Q2	Circuit breakers	TECO	BM-63C 3P	6A	1	YE40300603000	
3	Q3	Circuit breaker	TECO	BM-63C	3A	1	YE40100203000	
4	S3	Capacitive proximity switch	IFM	KI 5082	10~36VDC	1	----	(1)
5	S7~S10	Capacitive proximity switch	IFM	KI 5082	10~36VDC	4	----	(1) (2)
6	S5	Safety switch	SCHMERSRC	AZ152VK-14 76	AC-15	1	----	(1)
7	S6	Pressure switch	FOX	K4-SA02	1~12KG	1	----	(1)
8	K1	Contactors	SIEMENS	3RT6015-1AN21	230V 50/60Hz	1	YE00601521000	
9	K2	Middle relay	WEIDMULLER	DRM270024LT	24VDC 12A	1	YE03272400000	
10	K3	Phase sequence relay	CHAOSHI	ABJ-10W	230V	1	YE03102200000	
11	F1	Thermal overload relays	SIEMENS	3RU6116-1EB0	2.8-4A	1	YE01160280000	
12	U	DC power	MEAN WELL	S-100-24	+24 V 4.5A	1	YE71102400000	
13	A0~A7	4组份秤重料斗控制器/Controller	B&R	----	----	1	YE80024000400	Cancel
14	A0	CPU/controller	B&R	X20 CP04.10	----	1	YE80041000200	New
15	A1	CPU base	B&R	X20 BB52	----	1	YE80041100300	New
16	A1	Power module	B&R	X20 PS9600	----	1	YE80960000000	New
17	A2	Input module	B&R	X20 DI9371	----	1	YE80937100000	New
18	A3	Weighing module	B&R	X20 AI1744	----	1	YE80200000500	New
19	A4	Output module	B&R	X20 DO9322	----	1	YE80209300000	New
20	A5	Common module	B&R	X20 CM8281	----	1	YE80200000700	New
21	A6	Output module	B&R	X20 DO6322	----	1	YE80632200000	New
22		12 core terminal block	B&R	X20 TB12	----	6	YE80201100000	New
23		I/O bus module	B&R	X20 BM11	----	5	YE80200100000	New
24	HMI	Human-machine interface	SCHNEIDER	GXU3512	24 VDC	1	YE80351200100	
25	H1	Three-color alarm Lamp with buzzer	SHINI	PK-27A	24VDC	1	BL90002401520	
机型版本 Ver.E		Notes: (1) Materials not in the control box; (2) Optional low level sensor; (3) Optional bridge breaking valve; (4) Optional shut-off valve;		Drawing NO.		Scale		Page 9
		Title		SGB-1200-4		Standard		Totally 10 Pages
		Version		Elec. Parts List 1		CE		Frequency
		Designer				Voltage		3φ230V
		Proofread by				Frequency		50Hz
		Checked by		20201027				
Mark		Before modification		After modification		Modify date		
1	2	3	4	5	6	7	8	



信易電熱機械股份有限公司  
Shini Plastics Technologies, Inc.

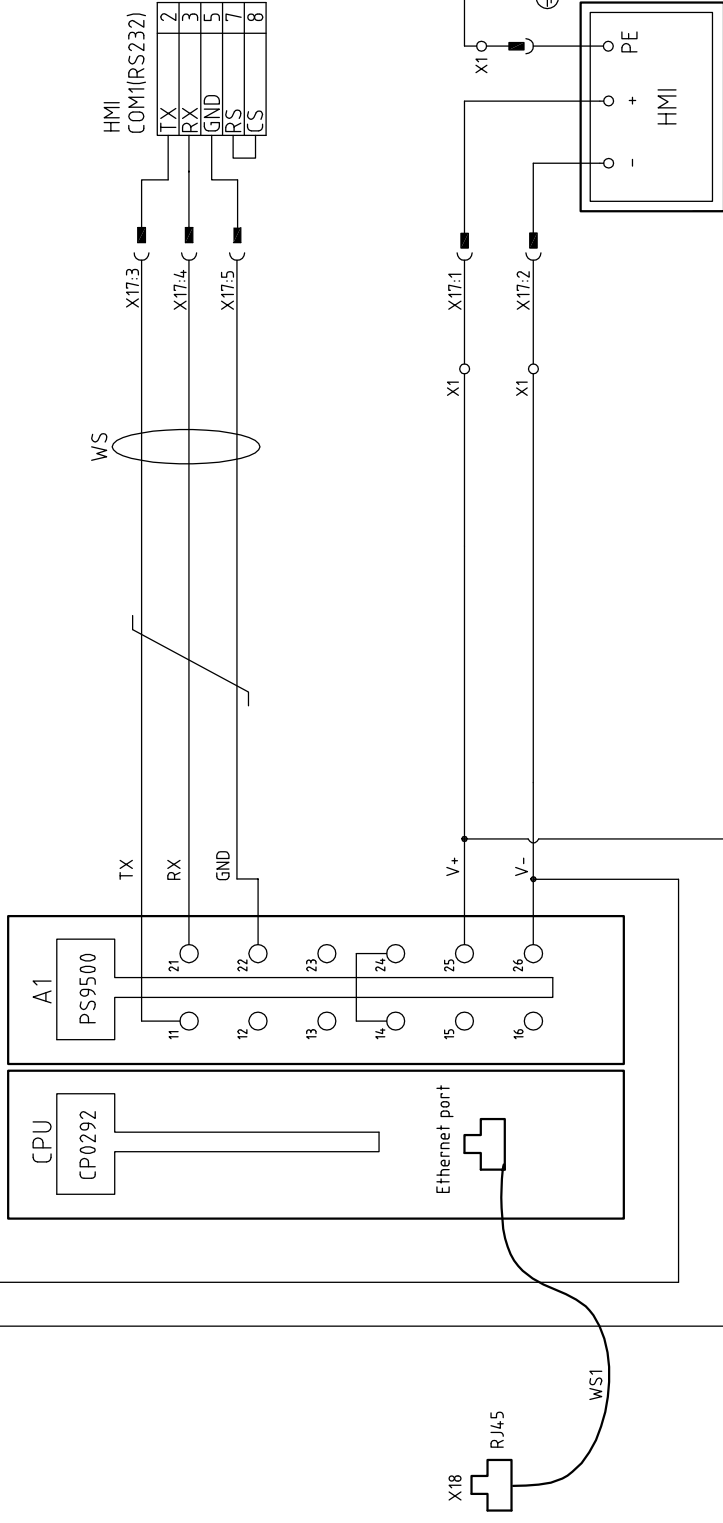
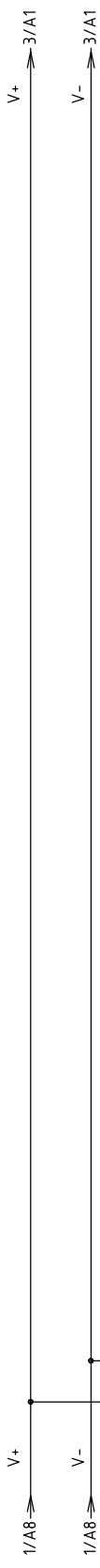






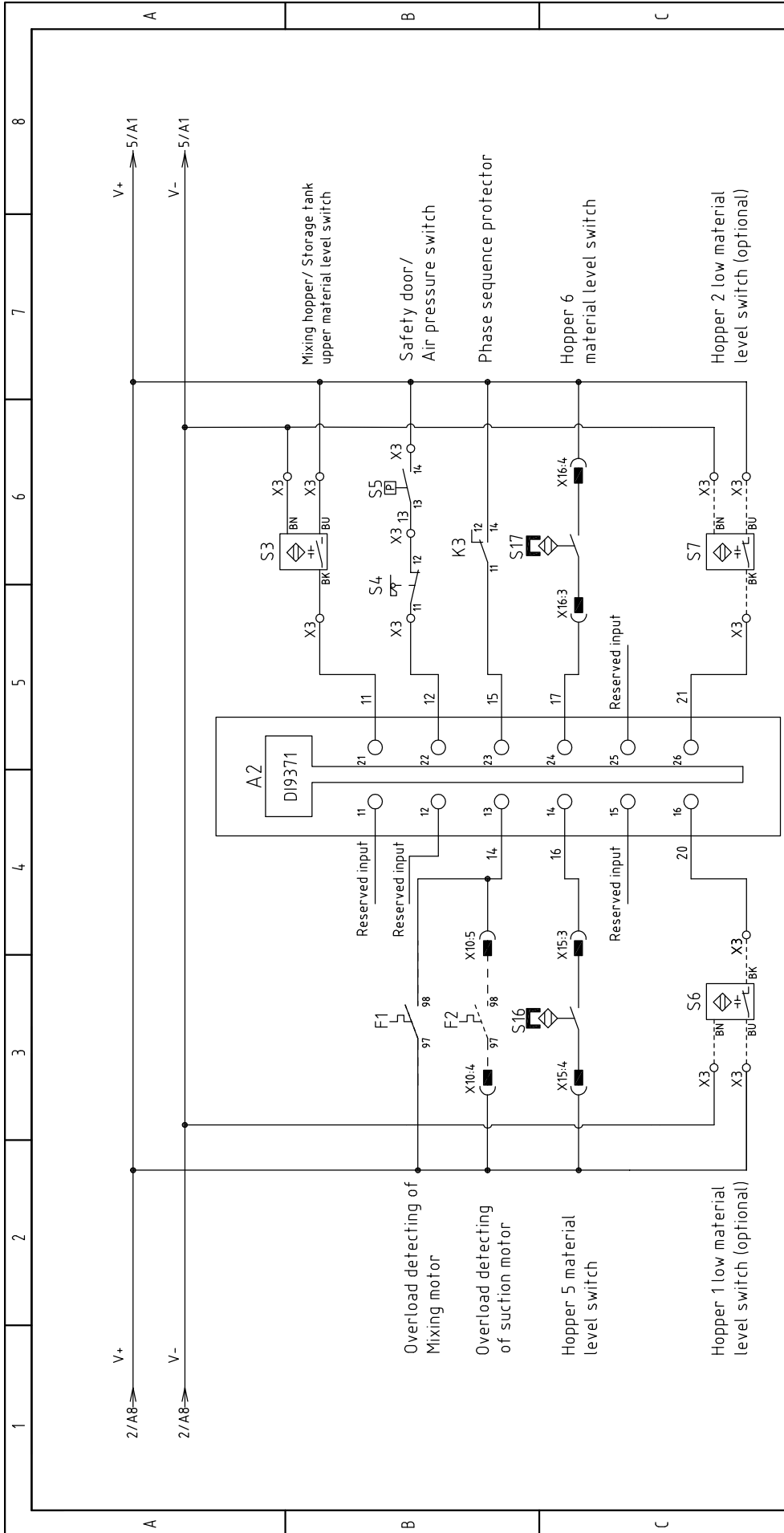
机型版本 Ver.D

Mark	Before modification	Modified by	20200314	Date	Version	D	Title	Drawing NO.		Page 1
	After modification	Checked by	20200314					Standard	CE	
								SGB-1200-6-CE-230V-D-1		3Φ230V
								SGB-1200-6		50/60Hz
								Electrical Diagram 1		Frequency
								SHINI		Voltage
								信易电热机械股份有限公司 Shini Plastics Technologies, Inc.		Frequency



机型版本 Ver.D

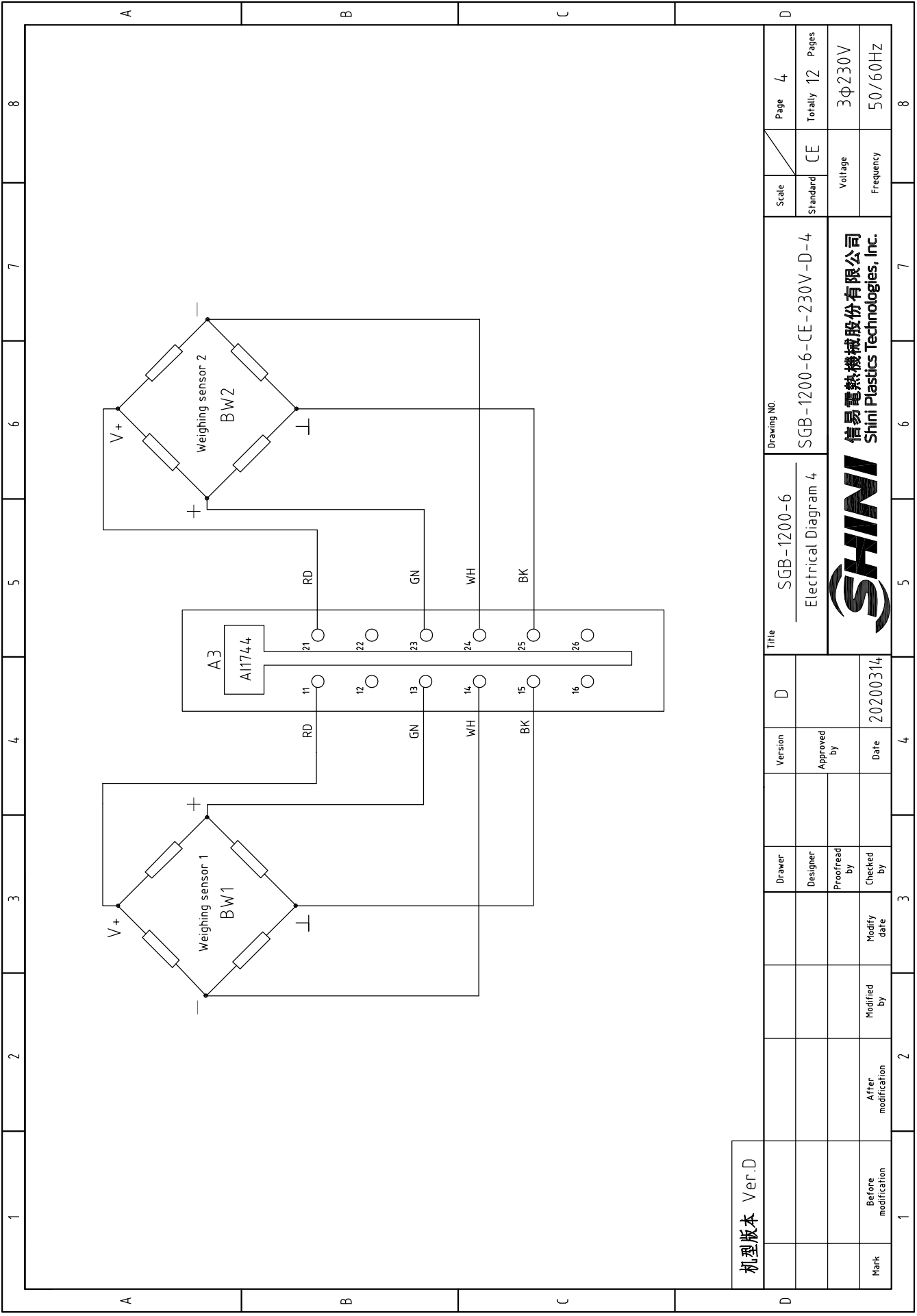
1	2	3	4	5	6	7	8
Title			Version		Drawing NO.		Scale
SGB-1200-6			D		SGB-1200-6-CE-230V-D-2		Page 2
Electrical Diagram 2			Approved by		Standard		Totally 12 Pages
SHINI			Date		Voltage		3Φ230V
信易电热机械股份有限公司 Shini Plastics Technologies, Inc.			20200314		Frequency		50/60HZ
Mark	Before modification	Modified by	Modify date	Checked by	2	8	



机型版本 Ver.D

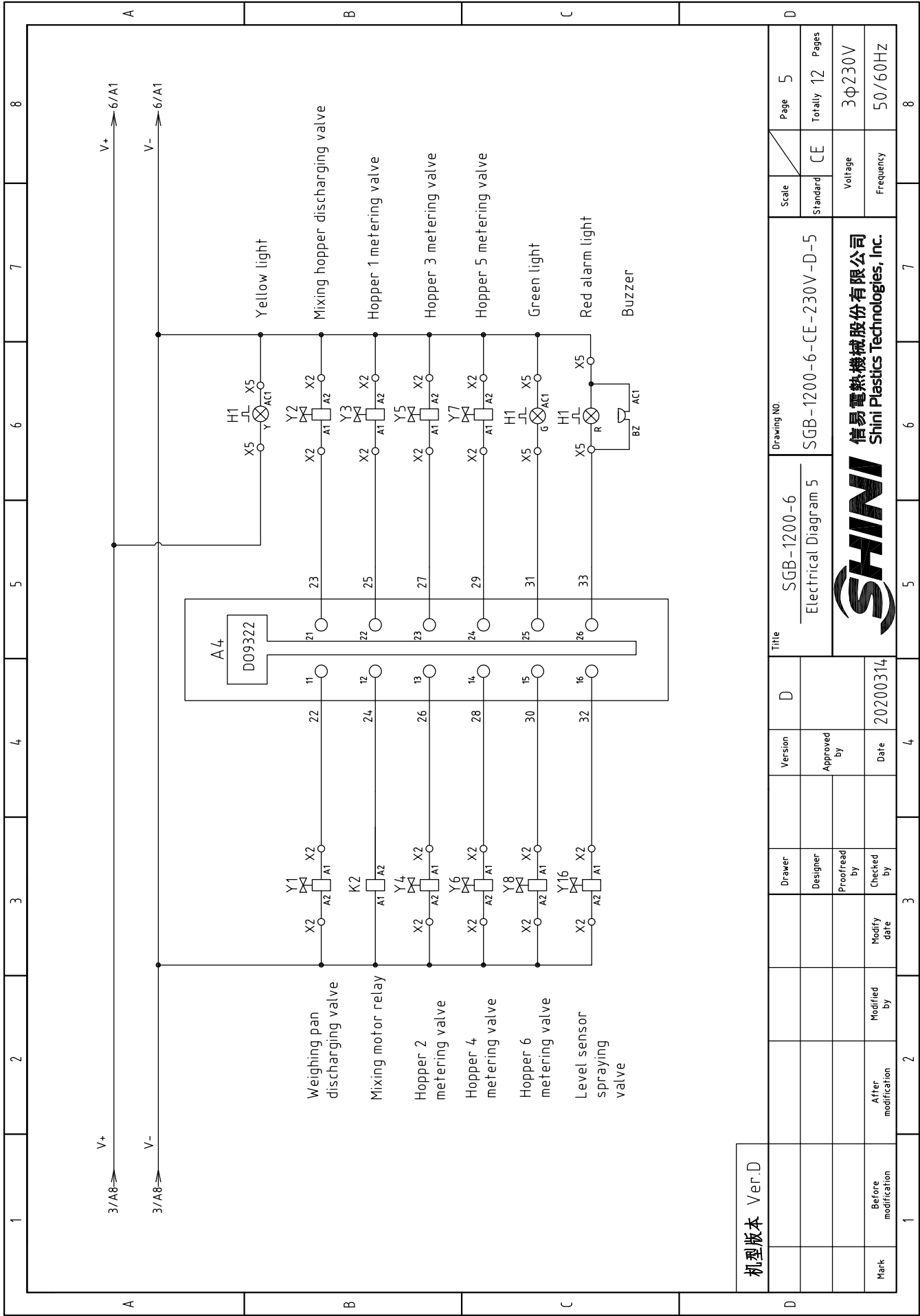
1	2	3	4	5	6	7	8
Title				Drawing NO.			
SGB-1200-6				SGB-1200-6-CE-230V-D-3			
Electrical Diagram 3				Standard			
Version				Scale			
D				CE			
Approved by				Page 3			
Date				Totally 12 Pages			
20200314				Voltage			
Checked by				Frequency			
Modified by				3Φ230V			
Modify date				50/60HZ			
Mark				Before modification			
After modification				8			





机型版本 Ver.D

1	2	3	4	5	6	7	8
A							
B							
C							
D							
Title			Drawing NO.			Page	
SGB-1200-6			SGB-1200-6-CE-230V-D-4			4	
Electrical Diagram 4			Standard			CE	
Version			Voltage			3Φ230V	
D			Frequency			50/60HZ	
Approved by			SHINI			信易電熱機械股份有限公司	
Date			SHINI			Shini Plastics Technologies, Inc.	
20200314			SHINI			SHINI	
Modified by			SHINI			SHINI	
After modification			SHINI			SHINI	
Mark			SHINI			SHINI	
Before modification			SHINI			SHINI	
Modify date			SHINI			SHINI	
Checked by			SHINI			SHINI	
Proofread by			SHINI			SHINI	
Designer			SHINI			SHINI	
Drawer			SHINI			SHINI	

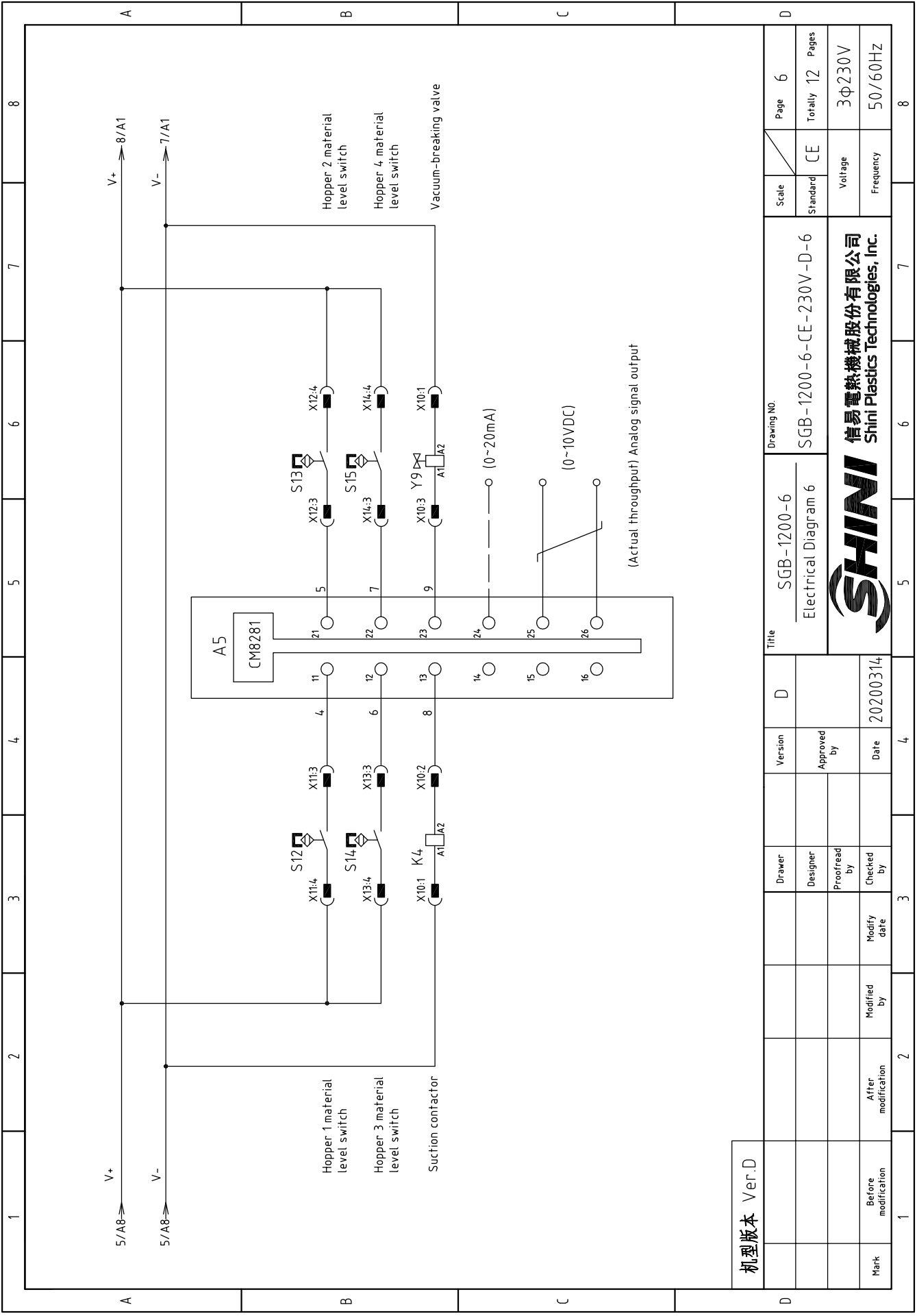


机型版本	Ver.D
Mark	Before modification
	After modification
	Modify date
	Checked by
	Proofread by
	Designer
	Drawer
	Approved by
	Date
	20200314

Title		SGB-1200-6		Drawing NO.		SGB-1200-6-CE-230V-D-5	
Electrical Diagram 5		Scale		Standard		CE	
Version		D		Page		5	
Total		12		Voltage		3Φ230V	
Date		20200314		Frequency		50/60HZ	

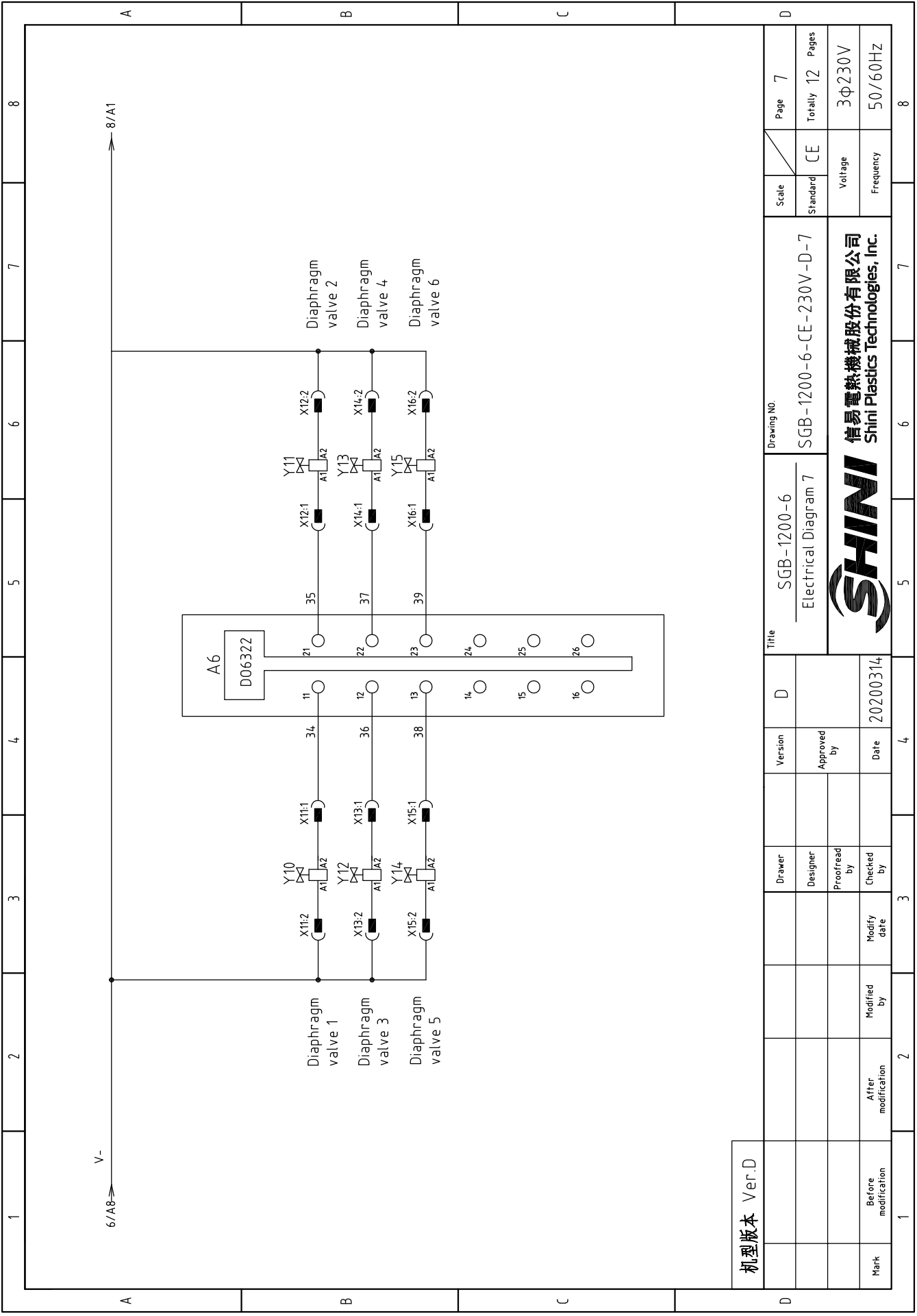


信易電熱機械股份有限公司  
Shini Plastics Technologies, Inc.



机型版本	Ver.D
Mark	Before modification
	After modification
	Modified by
	Modify date
	Checked by
	Proofread by
	Designer
	Drawer
	Approved by
	Date
	20200314

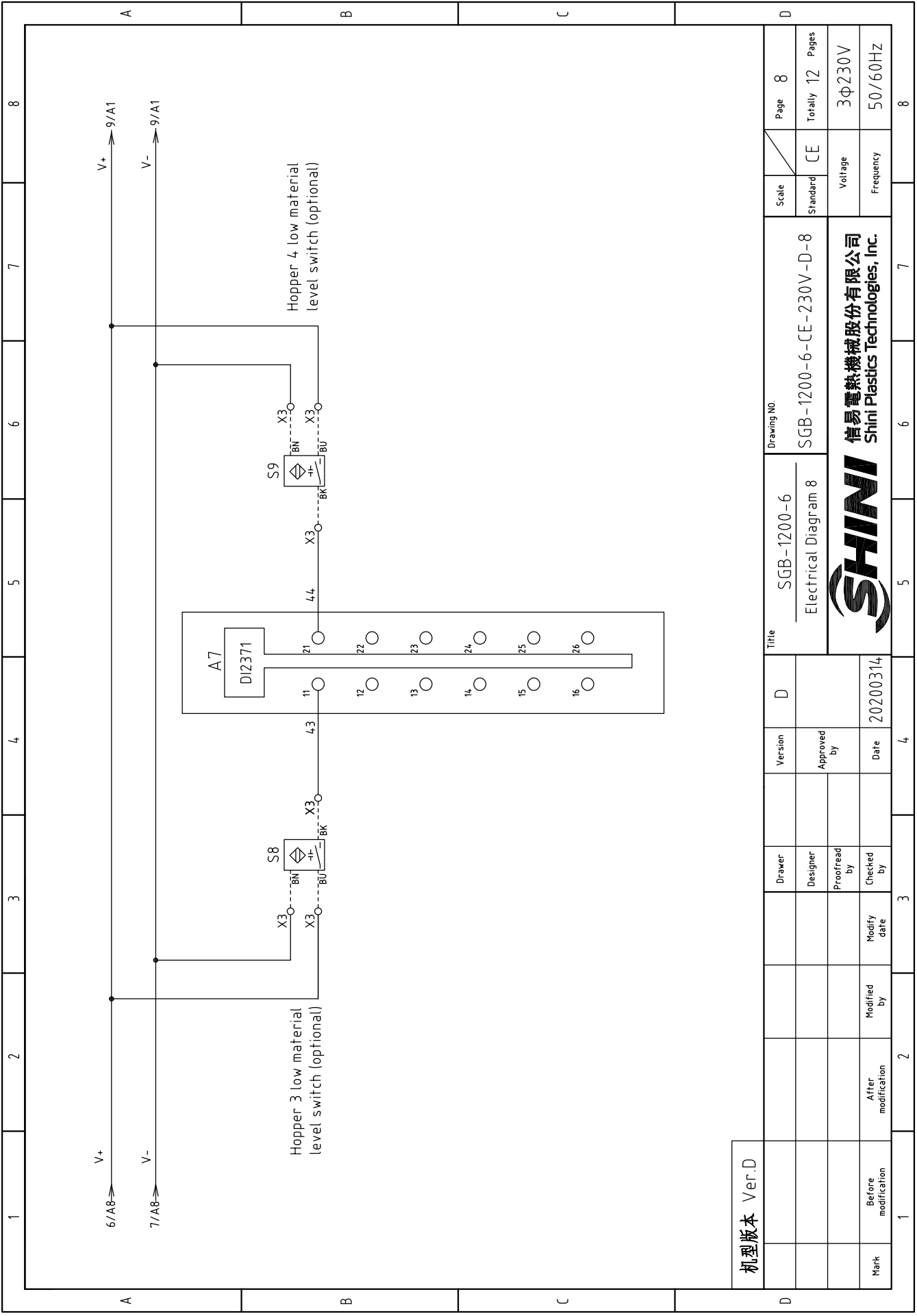
Title		SGB-1200-6		Drawing NO.		SGB-1200-6-CE-230V-D-6	
Electrical Diagram 6		Standard		Scale		Page 6	
SHINI		Voltage		Standard		Totally 12 Pages	
信易电热机械股份有限公司 Shini Plastics Technologies, Inc.		Frequency		CE		3Φ230V	
						50/60HZ	



机型版本	Ver.D
Mark	Before modification
After modification	Modified by
Modify date	Checked by
Proofread by	Date
Designer	Approved by
Drawer	Version
Title	

SGB-1200-6		SGB-1200-6-CE-230V-D-7	
Electrical Diagram 7		Drawing NO.	
SHINI		信易電熱機械股份有限公司 Shini Plastics Technologies, Inc.	
D		Page 7	
4		Standard CE	
3		Voltage 3Φ230V	
2		Frequency 50/60HZ	
1		Totally 12 Pages	

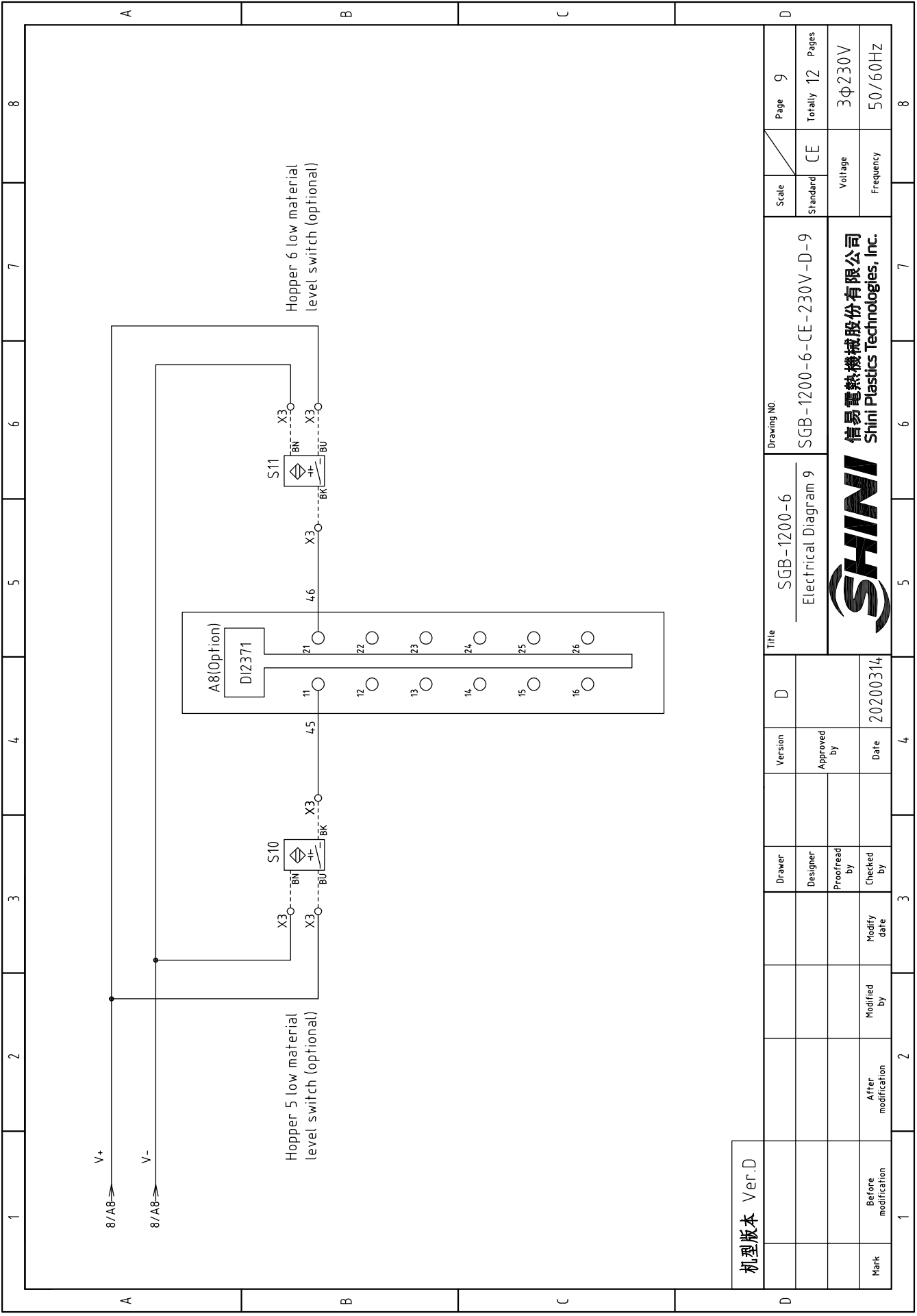




机型版本 Ver.D

D	Scale	Page	8
	Standard	CE	Totally 12 Pages
Drawing NO.		SGB-1200-6-CE-230V-D-8	
Title		SGB-1200-6 Electrical Diagram 8	
Version	D		
Approved by			
Date	20200314		
Drawer			
Designer			
Proofread by			
Checked by			
Modify date			
Modified by			
After modification			
Mark	Before modification		
1	2	3	4
5	6	7	8
Voltage		3Φ230V	
Frequency		50/60HZ	

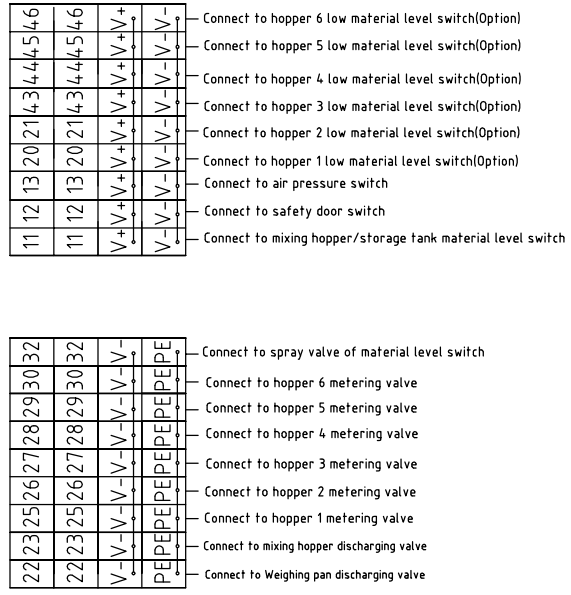
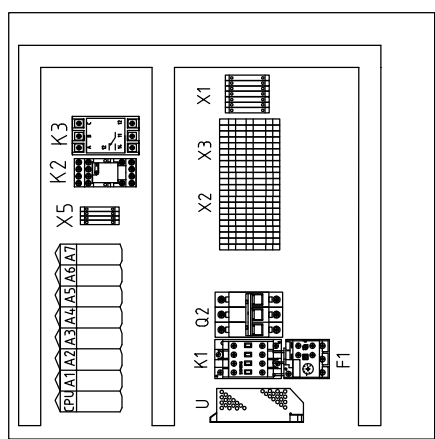
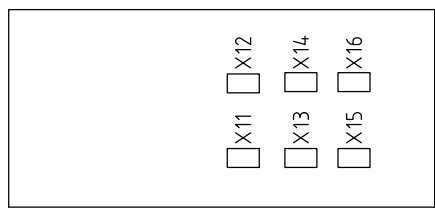
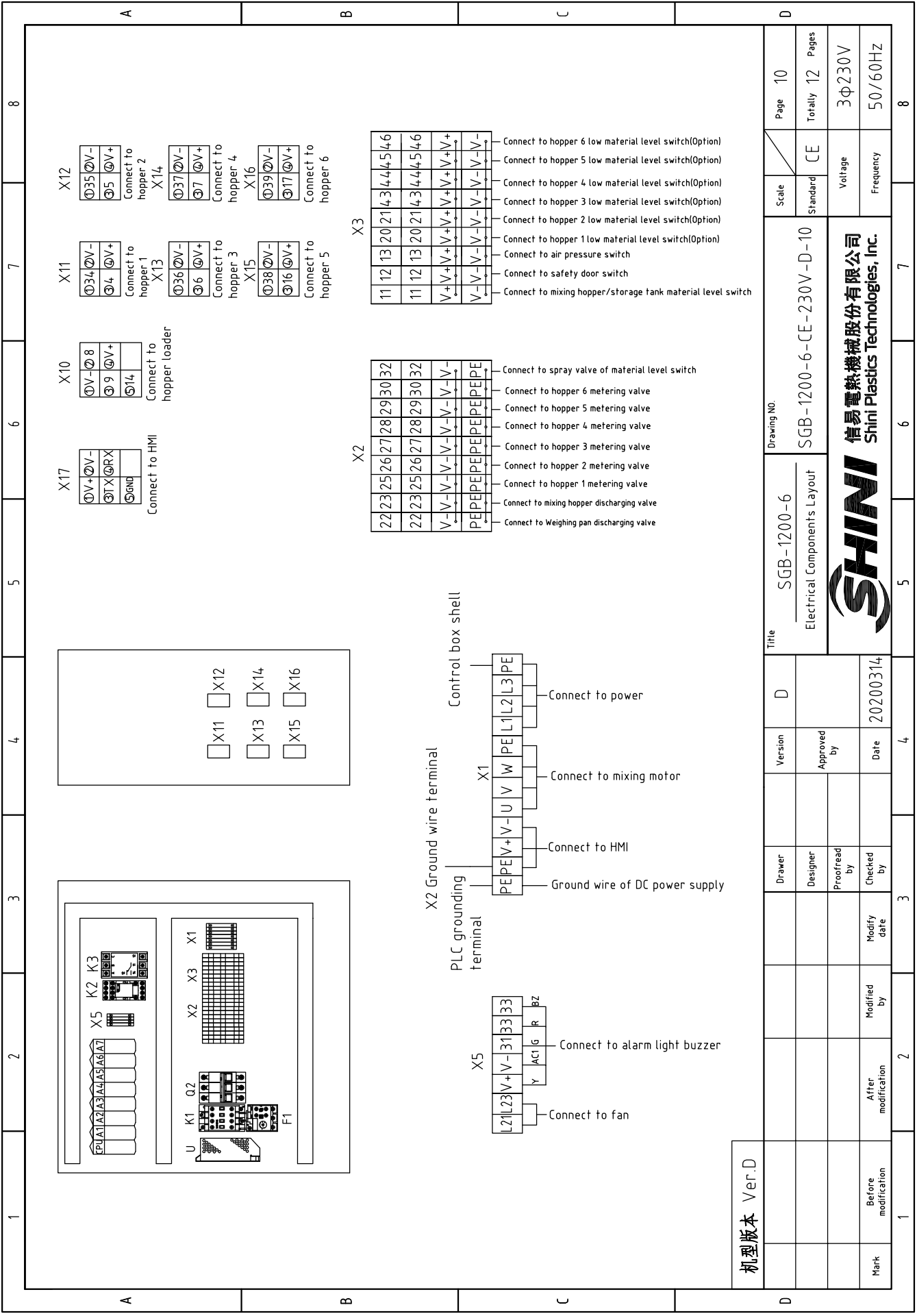




机型版本	Ver.D
Mark	Before modification
	After modification
	Modify date
	Checked by
	Proofread by
	Designer
	Drawer
Version	D
Title	
SGB-1200-6	
Electrical Diagram 9	
Drawing NO.	
SGB-1200-6-CE-230V-D-9	
Scale	Page 9
Standard	Totally 12 Pages
Voltage	3Φ230V
Frequency	50/60HZ



信易電熱機械股份有限公司  
Shini Plastics Technologies, Inc.



机型版本	Ver.D
Mark	Before modification
After modification	Modified by
Checked by	Modify date
Proofread by	Date
Designer	Approved by
Drawer	Version

Title		SGB-1200-6		Drawing NO.		Page 10	
Electrical Components Layout		SGB-1200-6-CE-230V-D-10		Standard		CE	
SHINI		信易電熱機械股份有限公司		Voltage		3φ230V	
SHINI		Shini Plastics Technologies, Inc.		Frequency		50/60HZ	
D		D		Scale		Page 10	
Mark		Before modification		Standard		Totally 12 Pages	
After modification		Modified by		Voltage		3φ230V	
Checked by		Date		Frequency		50/60HZ	
Proofread by		Approved by		Standard		CE	
Designer		Version		Title		SGB-1200-6	
Drawer		D		Electrical Components Layout		SGB-1200-6-CE-230V-D-10	
Date		20200314		Drawing NO.		SGB-1200-6-CE-230V-D-10	
Date		20200314		Page		10	
Date		20200314		Totally		12 Pages	

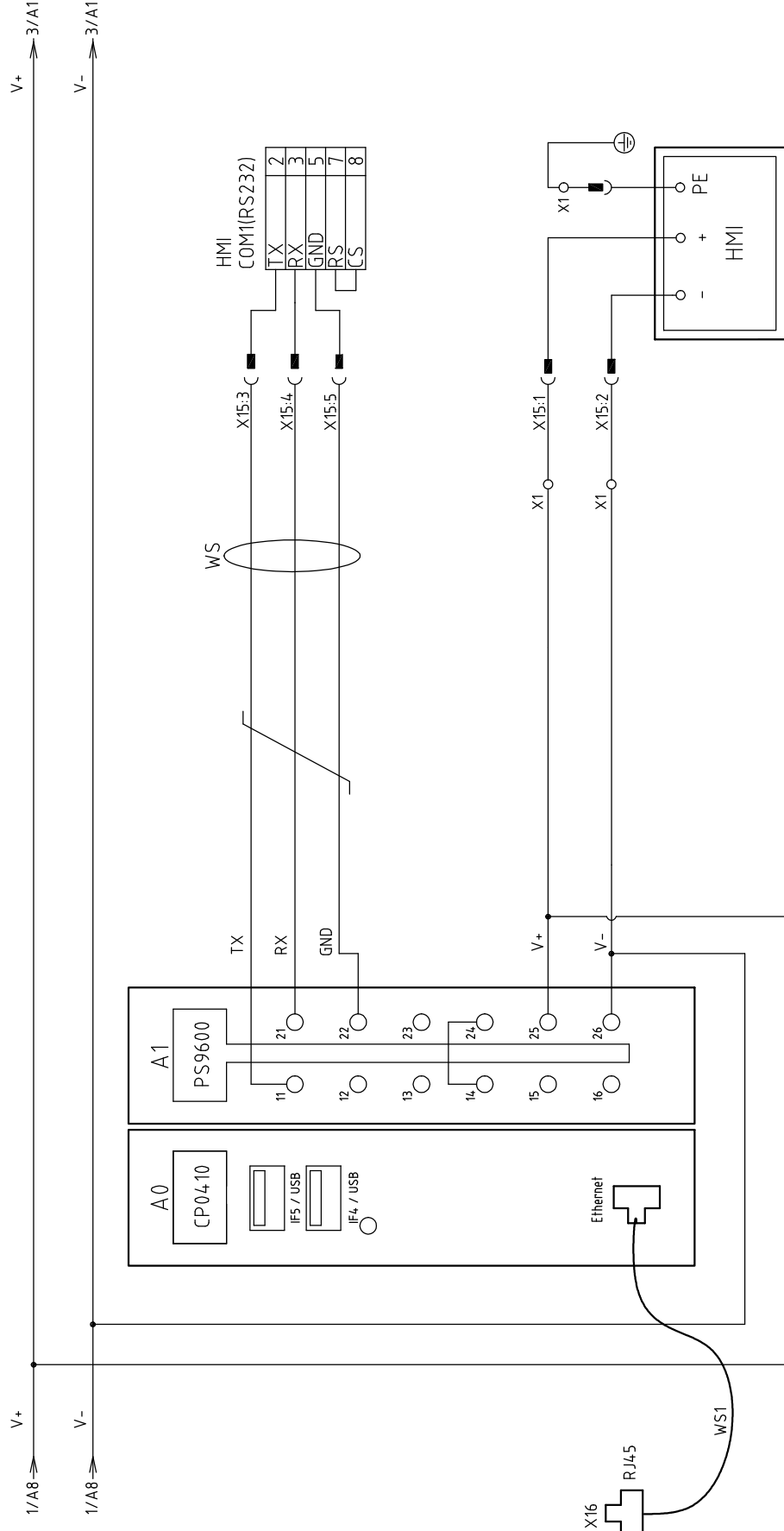
1	2		3	4	5	6	7	8
No.	Symbol	Name	Manufacturer	Type	Specification	Number	Material number	Remark
1	Q1	Main power switch	EATON	TO-2-1/EA/SVB	20A	1	YE10021160000	
2	Q2	Circuit-Breakers	TECO	BM-63C/ 3006S	6A	1	YE40603000000	
3	S3	Capacitive proximity switch	IFM	KI 5082	10~36VDC	1	----	(1)
4	S6-S11	Capacitive proximity switch	IFM	KI 5082	10~36VDC	6	----	(1) (2)
5	S4	Safety switch	SCHMERSRC	AZ152VK-1476	AC-15	1	----	(1)
6	S5	Pressure switch	FOX	K4SA02	1~12KG	1	----	(1)
7	K1	Contactors	SIEMENS	3RT6015-1AN21	230V 50/60Hz	1	YE00601521000	
8	K3	Phase sequence protector	CHAOSHI	ABJ-10W	230V	1	YE03103800000	
9	K2	Middle relay	WEIDMULLER	DRM270024LT	24VDC 12A	1	YE03272400000	
10	F1	Thermo-overload-relay	SIEMENS	3RU616-1DB0	2.2-3.2A	1	YE01602200000	Cancel
11	F1	Thermo overload relay	SIEMENS	3RU6116-1EB0	2.8-4A	1	YE01160280000	New
12	U	DC power	MEAN WELL	S-100-24	+24V 4.5A	1	YE71102400000	
13	CPU,A1-A7	4-component gravimetric Controller	B&R	----	----	1	YE80024000100	
14	A8	Digital input mouldle	B&R	X20 DI2371	----	1	YE80237100000	(2)
15		Terminal block	B&R	X20 TB12	----	1	YE80201100000	(2)
16		Bus mouldle	B&R	X20 BM11	----	1	YE80200100000	(2)
17	HMI	Human-machine interface	SCHNEIDER	GXU3512	24VDC	1	YE80351200100	
18	H1	3-color alarm lamp with buzzer	----	PK-27A	24VDC	1	BL90002401520	
19	BW1BW2	Weighing sensor	ZHONGHANG	LGD-C3-20kg-2.4B	10VDC 2mV/V	2	----	(1)
20	X1	Terminal	Honeywell	SK2.5	2.5mm <sup>2</sup>	8	YE60002503200	
21	X1	Terminal	Honeywell	GK2.5PE	2.5mm <sup>2</sup> PE	4	YE60002503400	
22	X2,X3	Terminal	Honeywell	SK2.5-TL	250V 2.5	20	YE60002503600	
23	X5	Terminal	Honeywell	SK2.5	2.5mm <sup>2</sup>	7	YE60002503200	
24	X11-X16	Heavy-duty plug-in	HARTING	Han 4A-F	4P+PE	6	YE68000401400	
25	X10	Heavy-duty plug-in	HARTING	Han Q5/0-F	5P+PE	1	YE68000501400	
机型版本 Ver.D								
Note: (1) means not part of control box; (2) Optional low material level switch.								
D			Drawer	Version	Title	Drawing NO.		Page
			Designer	D	SGB-1200-6	Scale	Standard	11
			Proofread by	Approved by	Electrical Components List 1	Standard	CE	Totally 12
			Checked by	Date	20200314	Standard	CE	Pages
Mark	Before modification	After modification	Modified by	Modify date			Voltage	3Φ230V
							Frequency	50/60HZ
1	2	3	4	5	6	7	8	




信易电热机械股份有限公司  
Shini Plastics Technologies, Inc.

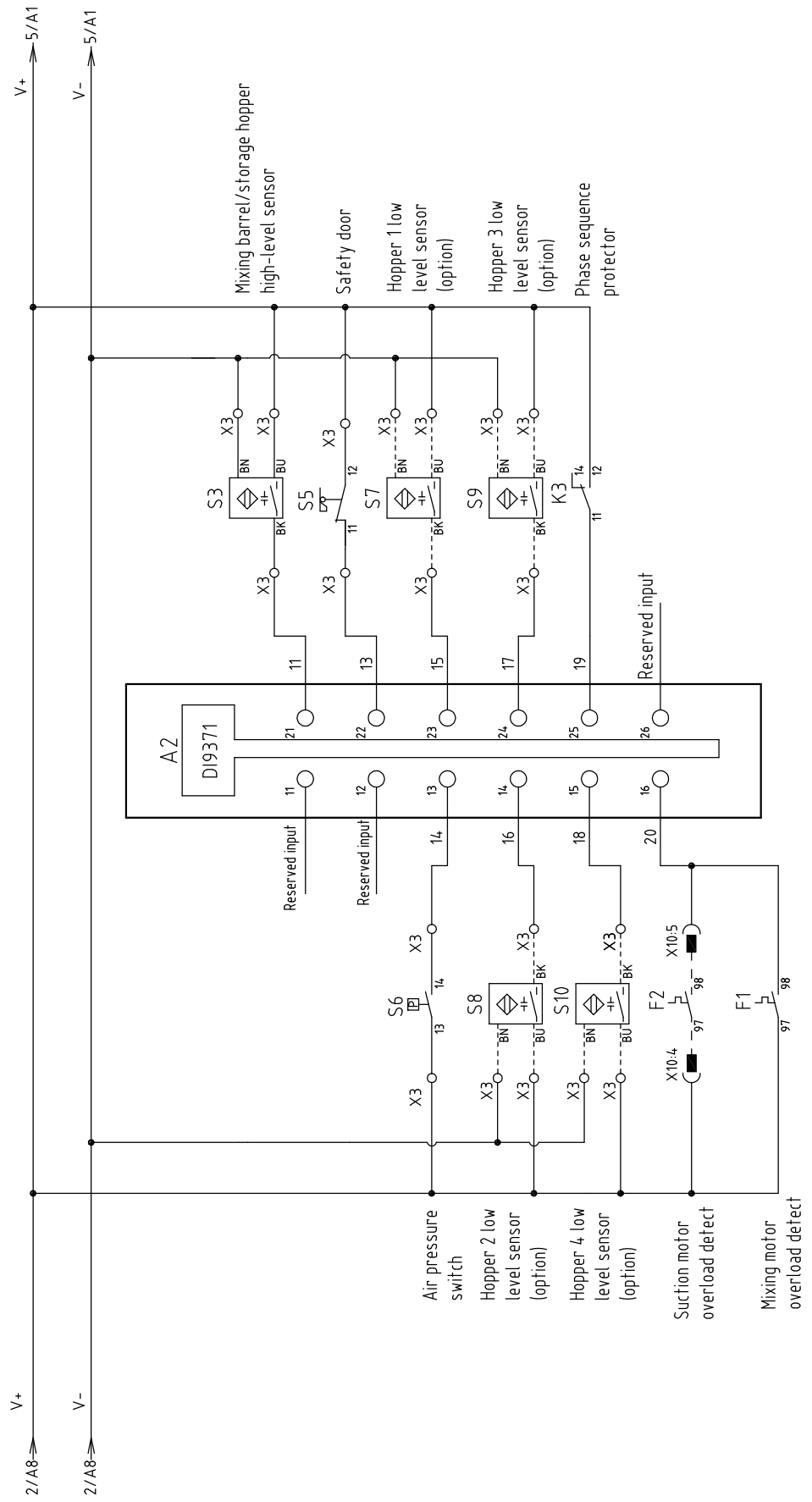







机型版本 Ver.D

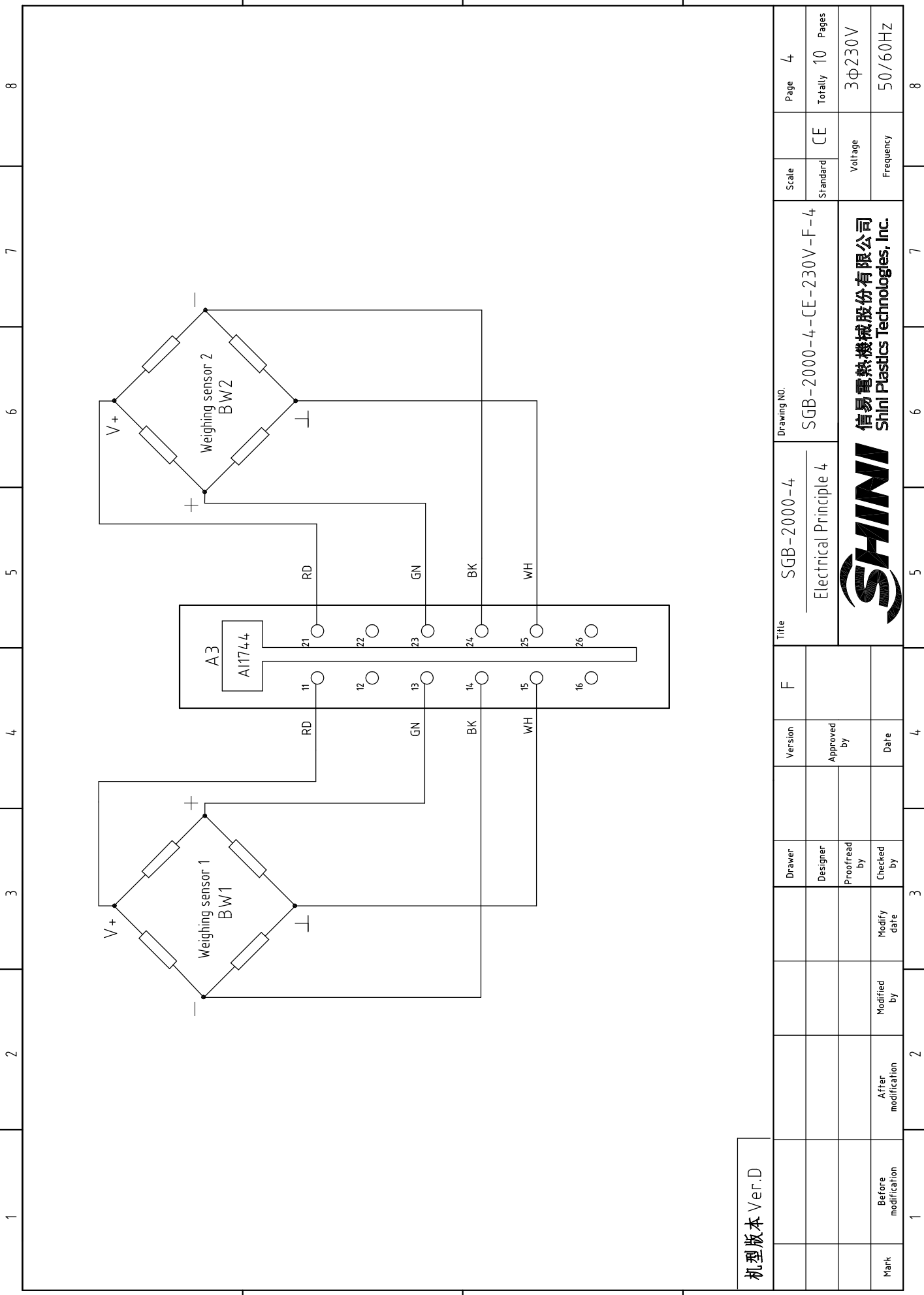
Drawer	Version	Title	Scale	Page
Designer	Approved by	SGB-2000-4	Standard	Totally
Proofread by	Date	Electrical Principle 2	CE	10
Checked by	Modify date	SGB-2000-4-CE-230V-F-2	Voltage	Pages
Modified by	After modification	 信易電熱機械股份有限公司 Shini Plastics Technologies, Inc.	3φ230V	8
Mark	Before modification		Frequency	



机型版本 Ver.D

Drawer	Version	Title		Scale	Page
Designer	Approved by	SGB-2000-4	SGB-2000-4-CE-230V-F-3	Standard	Totally 10
Proofread by	Date	Electrical Principle 3		Voltage	3φ230V
Checked by	Modify date	 信易電熱機械股份有限公司 Shini Plastics Technologies, Inc.		Frequency	50/60Hz
Modified by		5	6		8
After modification		2	7		
Before modification		3	8		



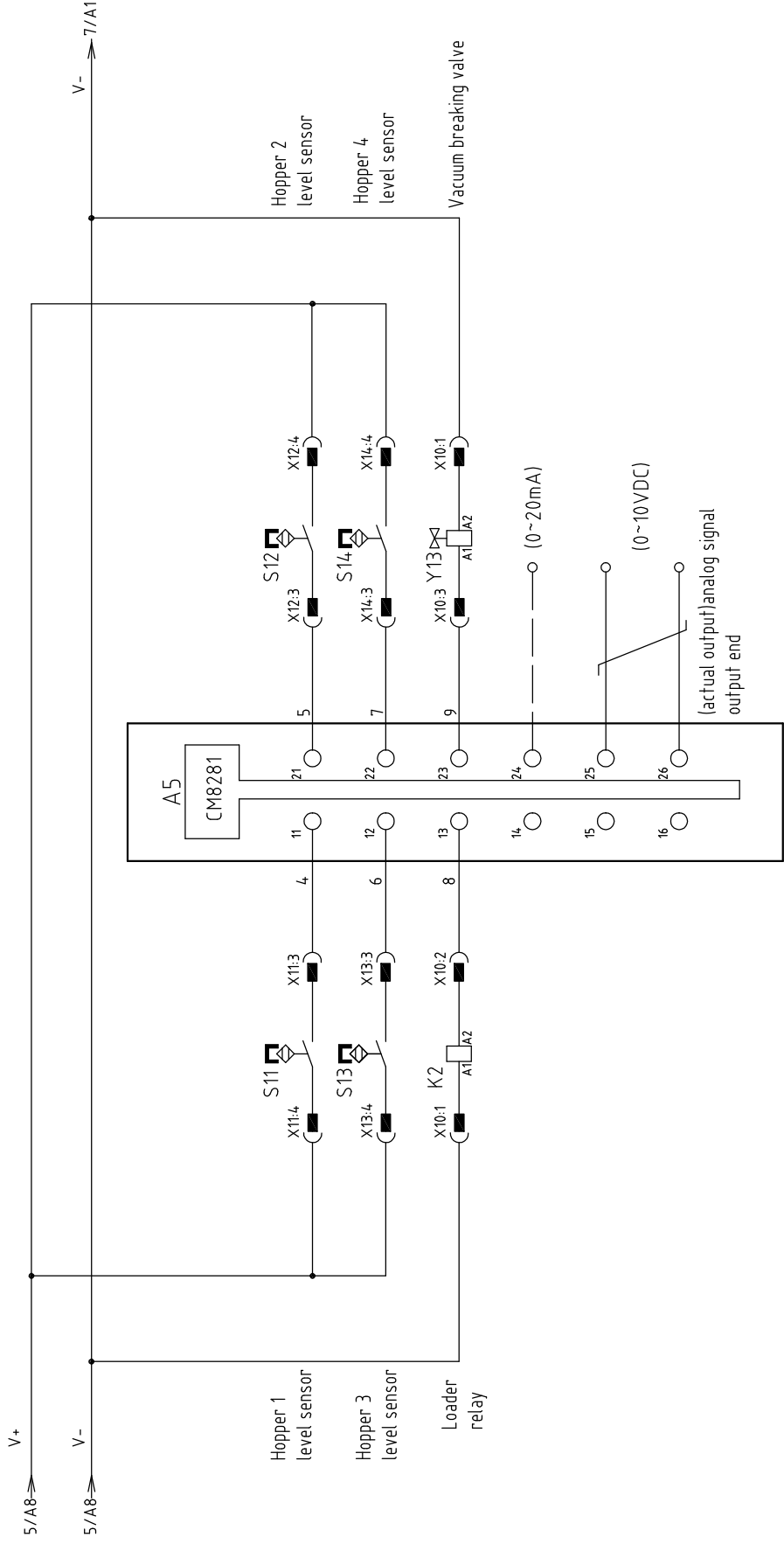


机型版本 Ver.D

Mark	Before modification	Modified by	Modify date	Checked by	Proofread by	Designer	Drawer	Version	F	Title	SGB-2000-4		Scale	Page
	After modification							Approved by		Electrical Principle 4	SGB-2000-4-CE-230V-F-4		Standard	4
								Date			CE		Totally	10
											Voltage		Frequency	Pages
											3φ230V		50/60HZ	8



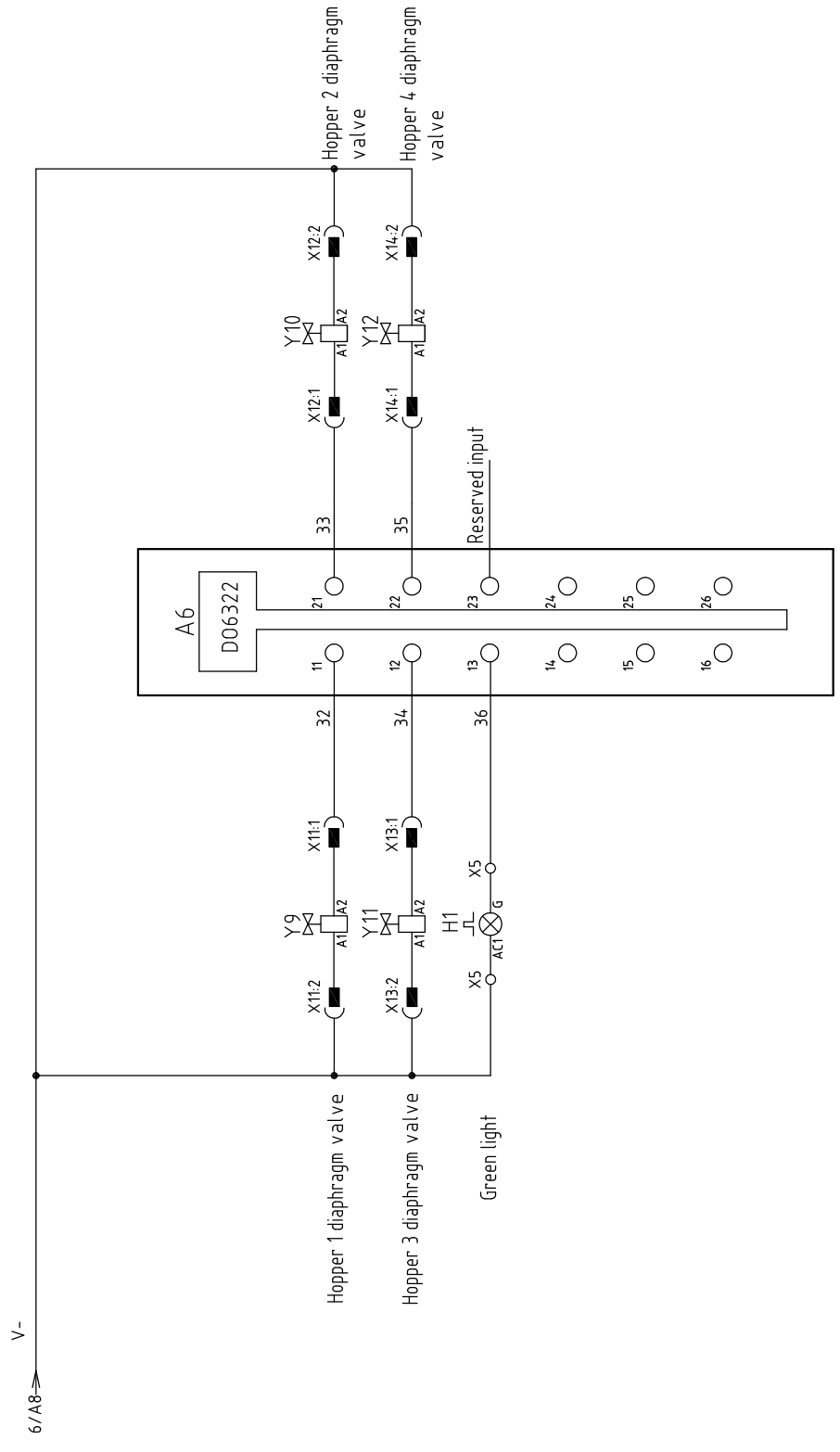




机型版本 Ver.D

Mark	Before modification	After modification	Modified by	Modify date	Checked by	Proofread by	Designer	Drawer	Version	F	Title		Drawing NO.		Scale	Page
											SGB-2000-4	SGB-2000-4-CE-230V-F-6		Standard	6	
											Electrical Principle 6		SGB-2000-4		CE	Totally 10
																Pages
																3φ230V
																50/60HZ
																8






机型版本 Ver.D

Mark	Before modification	Modified by	Modify date	Proofread by	Checked by	Designer	Drawer	Version	F	Title	Drawing NO.		Page	7	
	After modification	Modified by	Modify date	Proofread by	Checked by	Designer	Drawer				SGB-2000-4	SGB-2000-4-CE-230V-F-7			Standard
											Voltage	3φ230V			
											Frequency	50/60Hz			
1	2	3	4	5	6	7	8								

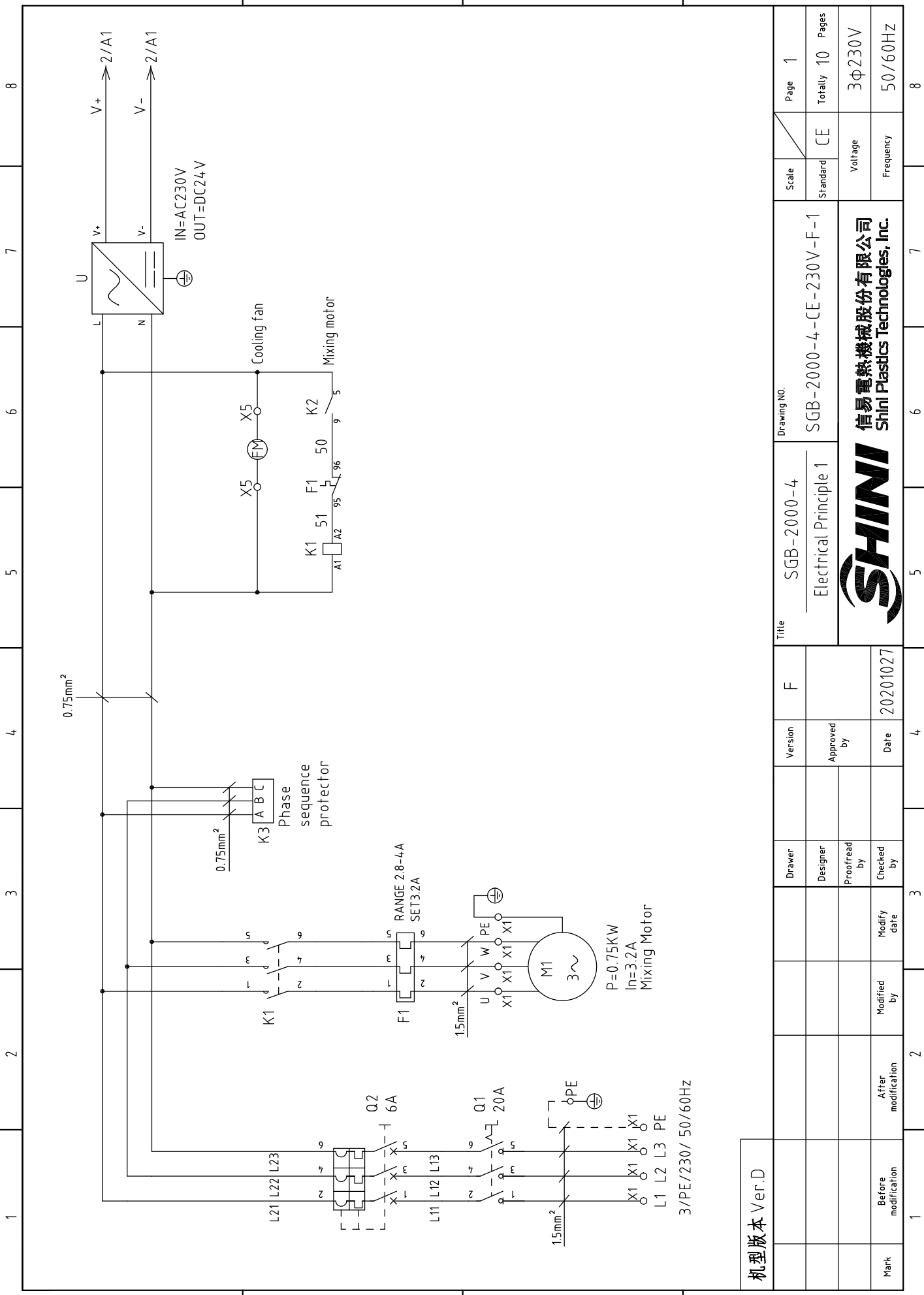




1	2		3		4	5	6	7	8
NO.	Symbol	Name	Manufacturer	Type	Specification	Number	Material number	Remark	
1	Q1	Main power switch	EATON	T0-2-1/EA/SVB	20A	1	YE10021160000		
2	Q2	Circuit breakers	TECO	BM-63C 3P	6A	1	YE40300603000		
3	Q3	Circuit breaker	TECO	BM-63C	3A	1	YE40100203000		
4	S3	Capacitive proximity switch	IFM	KI 5082	10~36VDC	1	----	(1)	
5	S7~S10	Capacitive proximity switch	IFM	KI 5082	10~36VDC	4	----	(1) (2)	
6	S5	Safety switch	SCHMERSRC	AZ152VK-14.76	AC-15	1	----	(1)	
7	S6	Pressure switch	FOX	K4SA02	1~12KG	1	----	(1)	
8	K1	Contactors	SIEMENS	3RT6015-1AN21	230V 50/60Hz	1	YE00601521000		
9	K2	Middle relay	WEIDMULLER	DRM270024LT	24VDC 12A	1	YE03272400000		
10	K3	Phase sequence relay	CHAOSHI	ABJ-10W	230V	1	YE03102200000		
11	F1	Thermal overload relays	SIEMENS	3RU6116-1EB0	2.8-4A	1	YE01160280000		
12	U	DC power	MEAN WELL	S-100-24	+24V 4.5A	1	YE71102400000		
13	A0~A7	4组份称重材料控制器/Controller	B&R	----	----	1	YE80024000400	Cancel	
14	A0	CPU/controller	B&R	X20 CP0410	----	1	YE80041000200	New	
15	A5	CPU base	B&R	X20 BB52	----	1	YE80041100300	New	
16	A1	Power module	B&R	X20 PS9600	----	1	YE80960000000	New	
17	A2	Input module	B&R	X20 DI9371	----	1	YE80937100000	New	
18	A3	Weighing module	B&R	X20 AI1744	----	1	YE80200000500	New	
19	A4	Output module	B&R	X20 DO9322	----	1	YE80209300000	New	
20	A5	Common module	B&R	X20 CM8281	----	1	YE80200000700	New	
21	A6	Output module	B&R	X20 DO6322	----	1	YE80632200000	New	
22		12 core terminal block	B&R	X20 TB12	----	6	YE80201100000	New	
23		I/O bus module	B&R	X20 BM11	----	5	YE80200100000	New	
24	HMI	Human-machine interface	SCHNEIDER	GXU3512	24VDC	1	YE80351200100		
25	H1	Three-color alarm Lamp with buzzer	SHINI	PK-27A	24VDC	1	BL90002401520		

机型版本 Ver.D		Notes: (1) Materials not in the control box; (2) Optional low level sensor; (3) Optional bridge breaking valve; (4) Optional shut-off valve;												
Mark	Before modification	After modification	Modified by	Modify date	Checked by	Proofread by	Designer	Drawer	Version	F	Title		Scale	Page
											SGB-2000-4 Elec. Parts List 1			
											 <b>信易電熱機械股份有限公司</b> <b>Shini Plastics Technologies, Inc.</b>			9
														10
														3φ230V
														50/60HZ
1											5	6	7	8



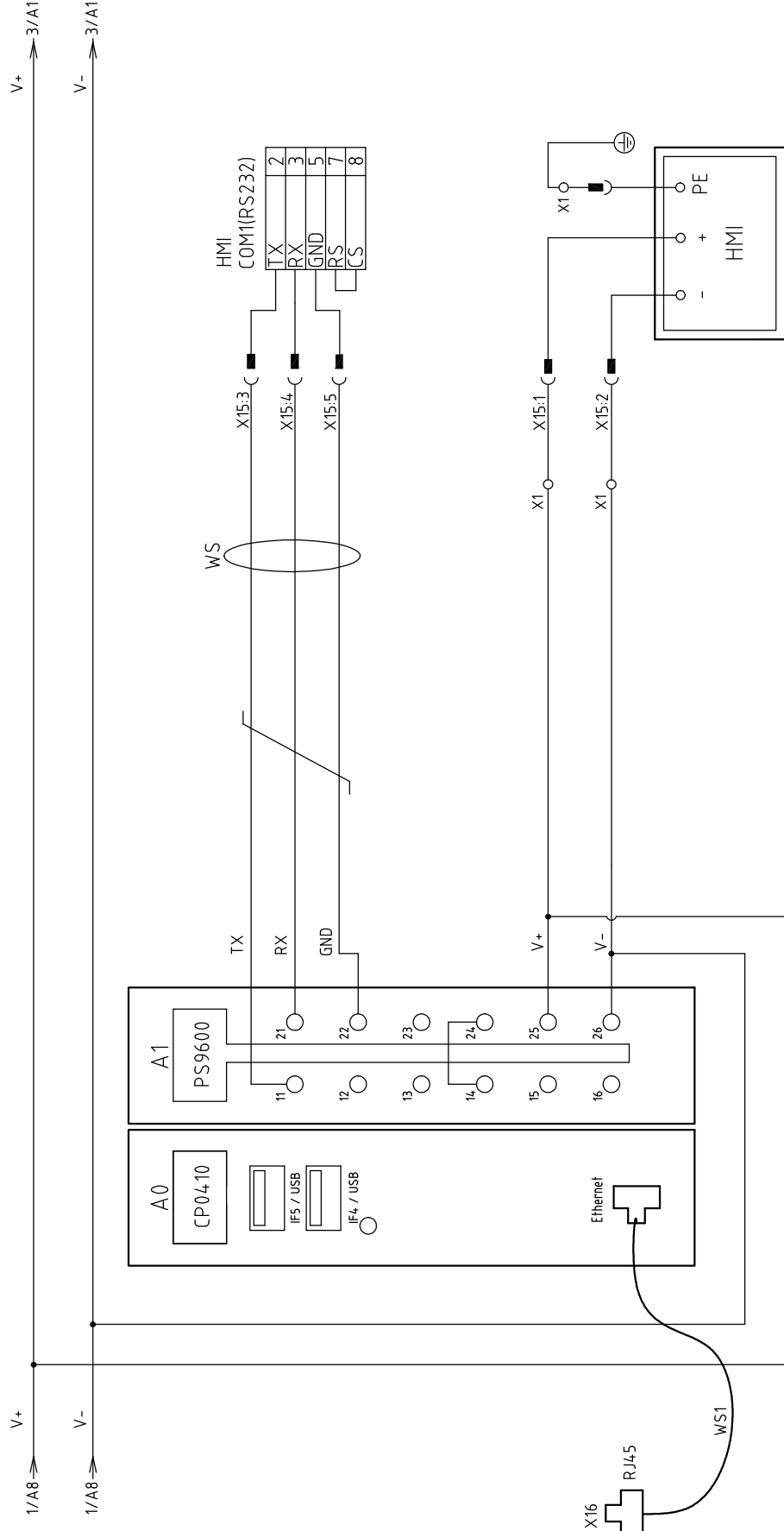


机型版本 Ver.D


Mark	Before modification	After modification	Modified by	Modify date	Checked by	Proofread by	Designer	Drawer	Version	F	Title	Drawing NO.		Scale	Page	
											SGB-2000-4 Electrical Principle 1	SGB-2000-4-CE-230V-F-1	Standard	CE	Totally 10 Pages	
															Voltage	3φ230V
															Frequency	50/60Hz
																8

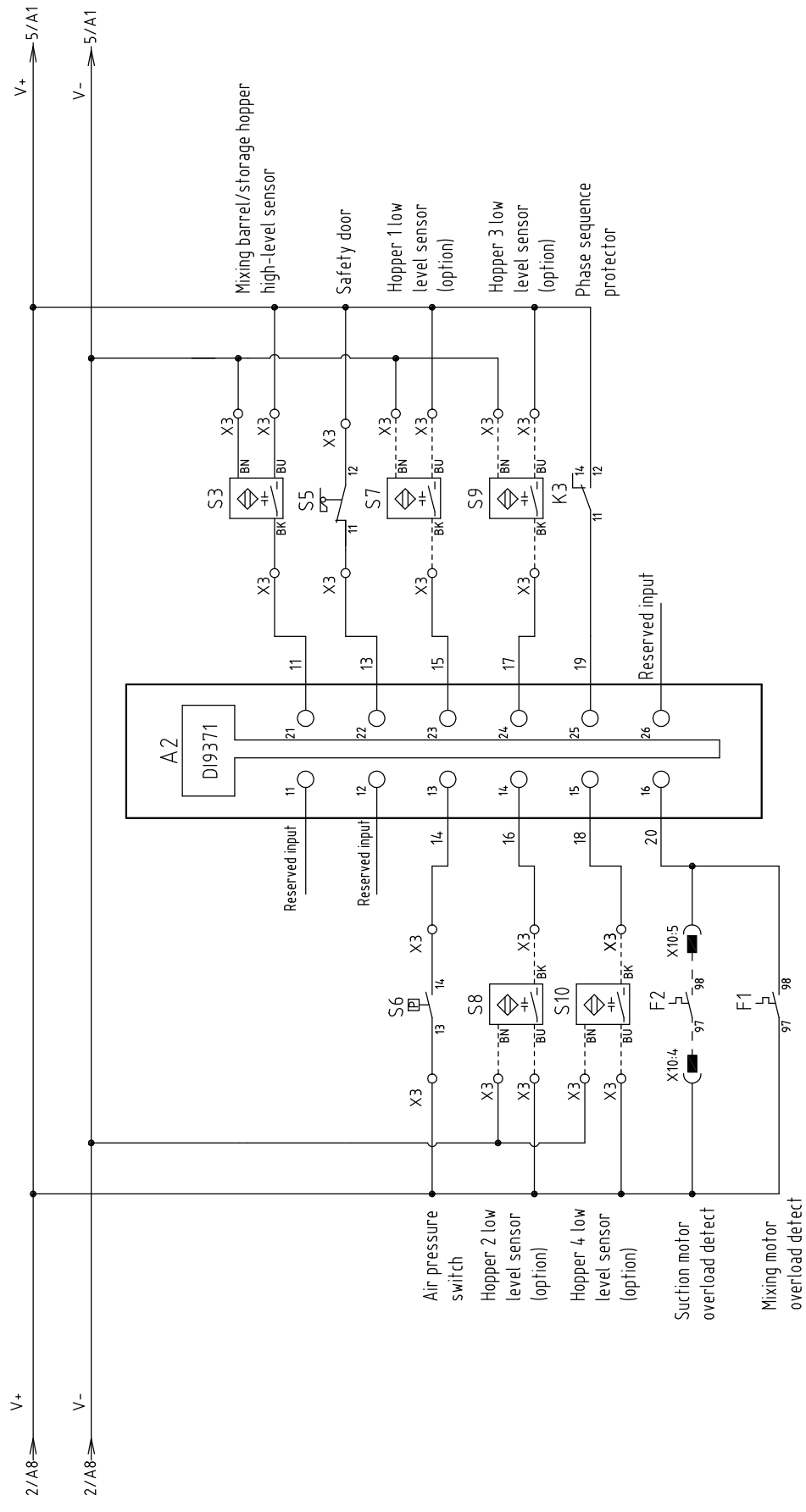






机型版本 Ver.D

Drawing NO.		Scale		Page 2	
SGB-2000-4		Standard CE		Totally 10 Pages	
Title		Voltage		3φ230V	
SGB-2000-4-CE-230V-F-2		Frequency		50/60HZ	
Electrical Principle 2		 信易電熱機械股份有限公司 Shini Plastics Technologies, Inc.			
Version					
Designer		Approved by		Date	
Proofread by		Checked by		Modify date	
Modified by		After modification		Before modification	
Mark		1		8	

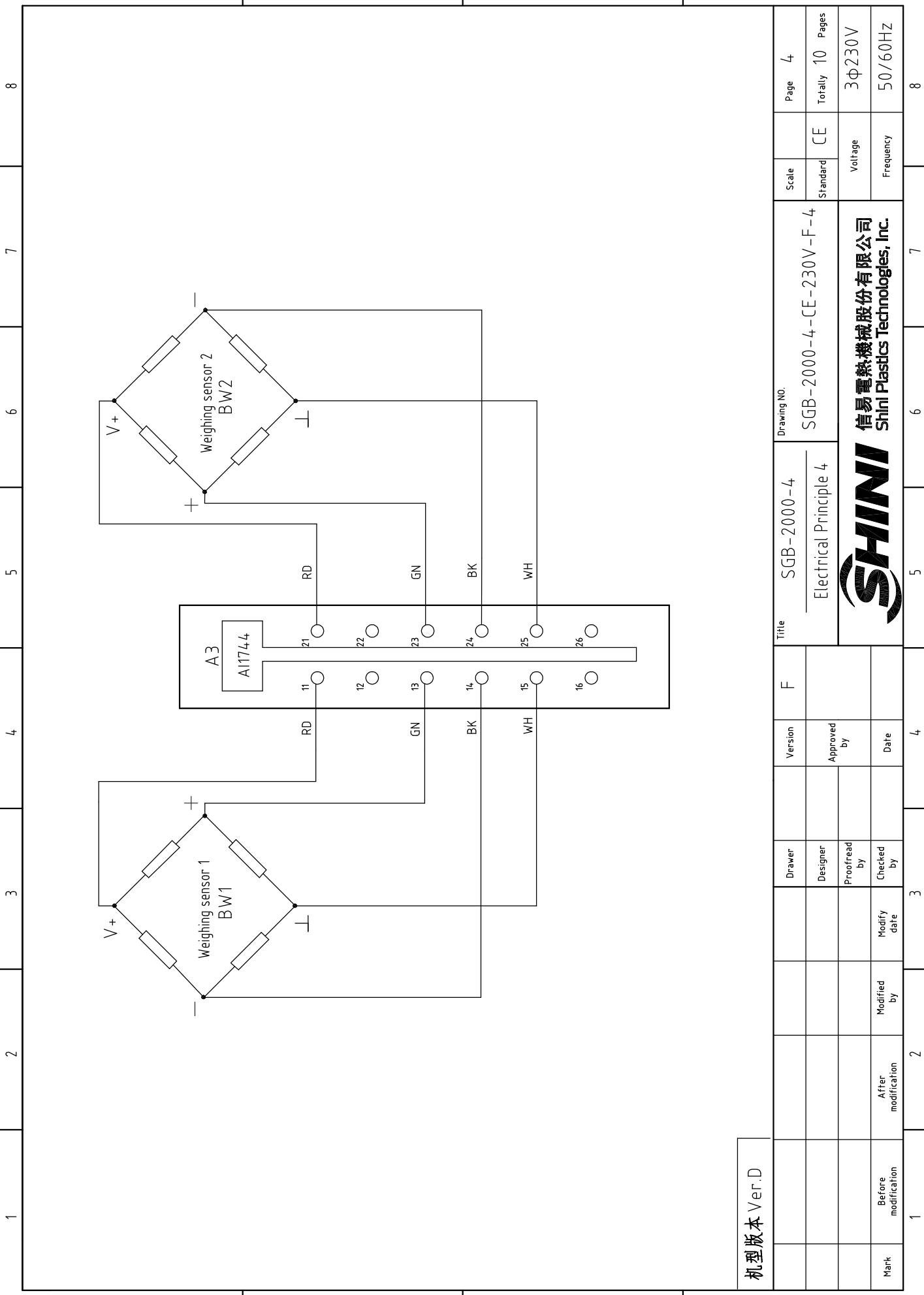


机型版本 Ver.D

Drawer	Version	Title		Scale	Page
Designer	Approved by	SGB-2000-4	SGB-2000-4-CE-230V-F-3	Standard	Totally 10
Proofread by	Date	Electrical Principle 3		Voltage	Pages
Checked by	Modify date			Frequency	3φ230V
Modified by					50/60HZ
After modification					
Before modification					
Mark					



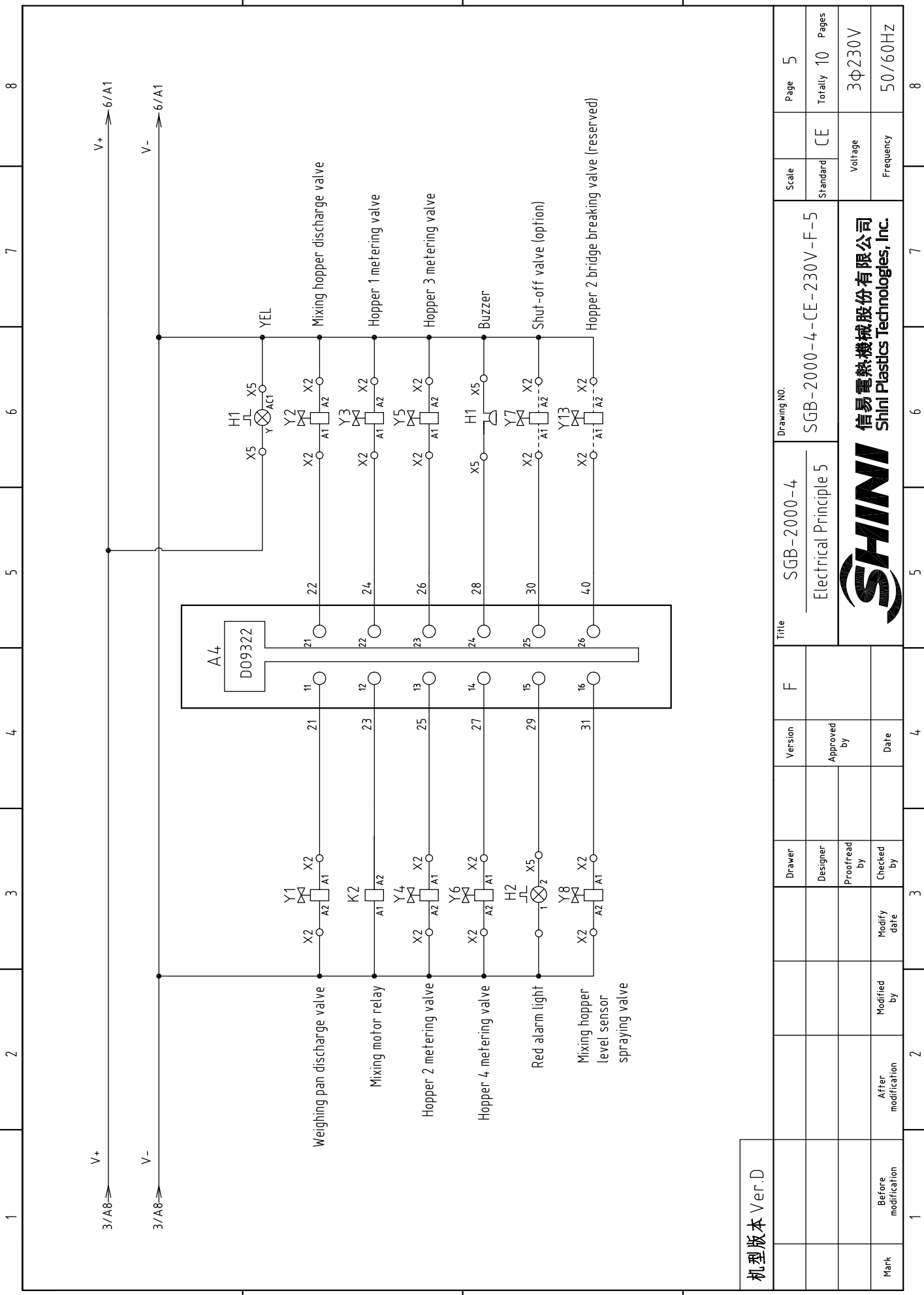
信易電熱機械股份有限公司  
Shini Plastics Technologies, Inc.



机型版本 Ver.D

Mark	Before modification	Modified by	Modify date	Checked by	Proofread by	Designer	Drawer	Version	F	Title	SGB-2000-4		Scale	Page	4	
	After modification							Approved by		Electrical Principle 4	SGB-2000-4-CE-230V-F-4		Standard	Totally	10	
								Date								Pages
																3φ230V
																50/60HZ
																8

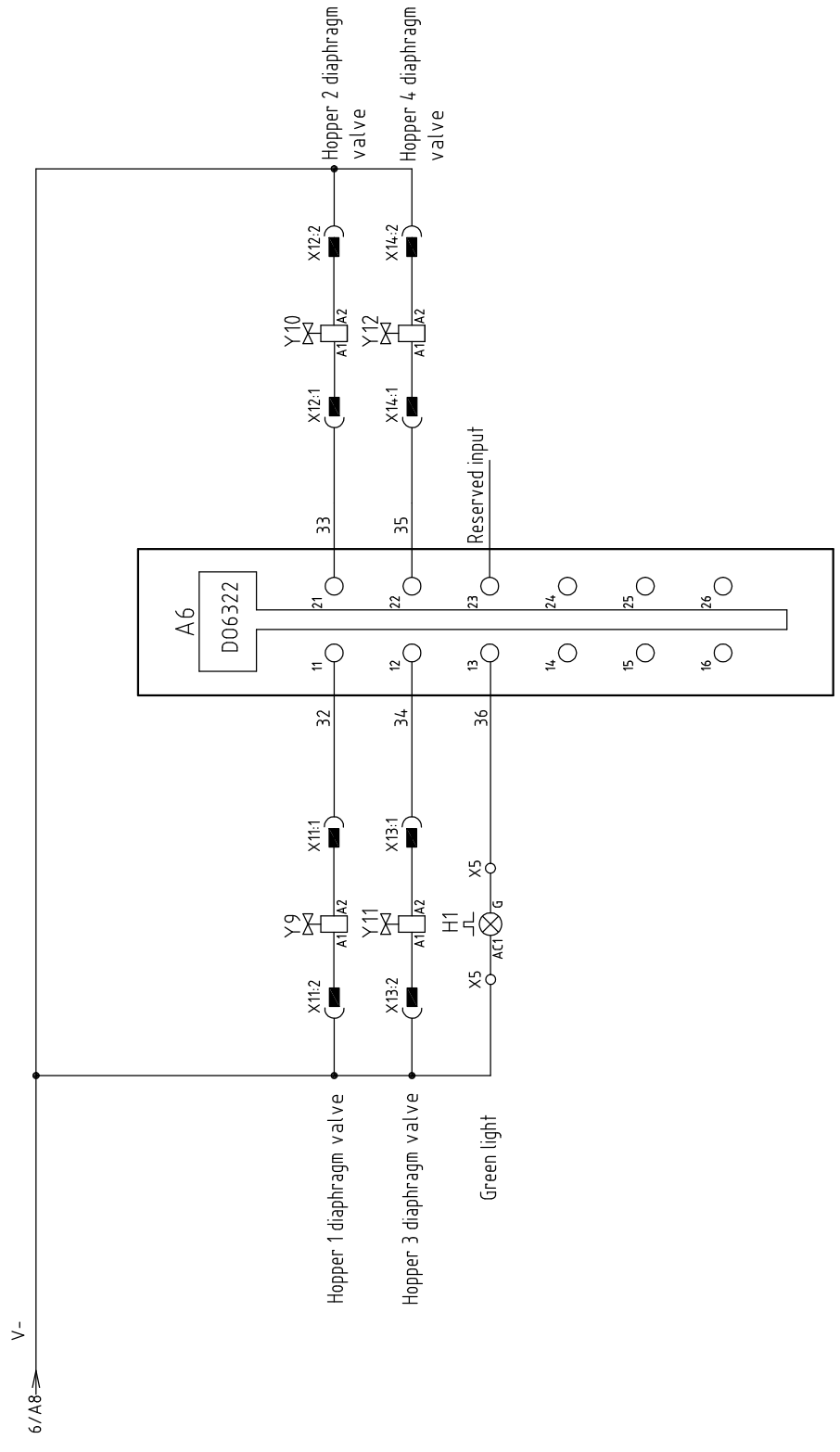

  
**信易電熱機械股份有限公司**  
**Shini Plastics Technologies, Inc.**



机型版本 Ver.D

1	2	3	4	5	6	7	8
Title		SGB-2000-4		Drawing NO.		Page 5	
Electrical Principle 5		SGB-2000-4-CE-230V-F-5		Standard		CE	
Version		F		Voltage		3φ230V	
Approved by		Date		Frequency		50/60HZ	
Designer		Proofread by		Checked by		Modified by	
Modified date		Modify date		After modification		Before modification	
Mark		1		2		3	
Totally		10		Pages		8	
SHINI		信易熱機械股份有限公司		Shini Plastics Technologies, Inc.		8	






机型版本 Ver.D

Drawer	Version	Title	Drawing NO.	Scale	Page
Designer	F	SGB-2000-4	SGB-2000-4-CE-230V-F-7	Standard	7
Proofread by	Approved by	Electrical Principle 7		CE	Totally 10
Checked by	Date			Voltage	Pages
Modify date				3φ230V	50/60HZ
Mark	Modified by	After modification		Frequency	
Before modification	2	3	4	5	6
1	2	3	4	5	6
					7
					8



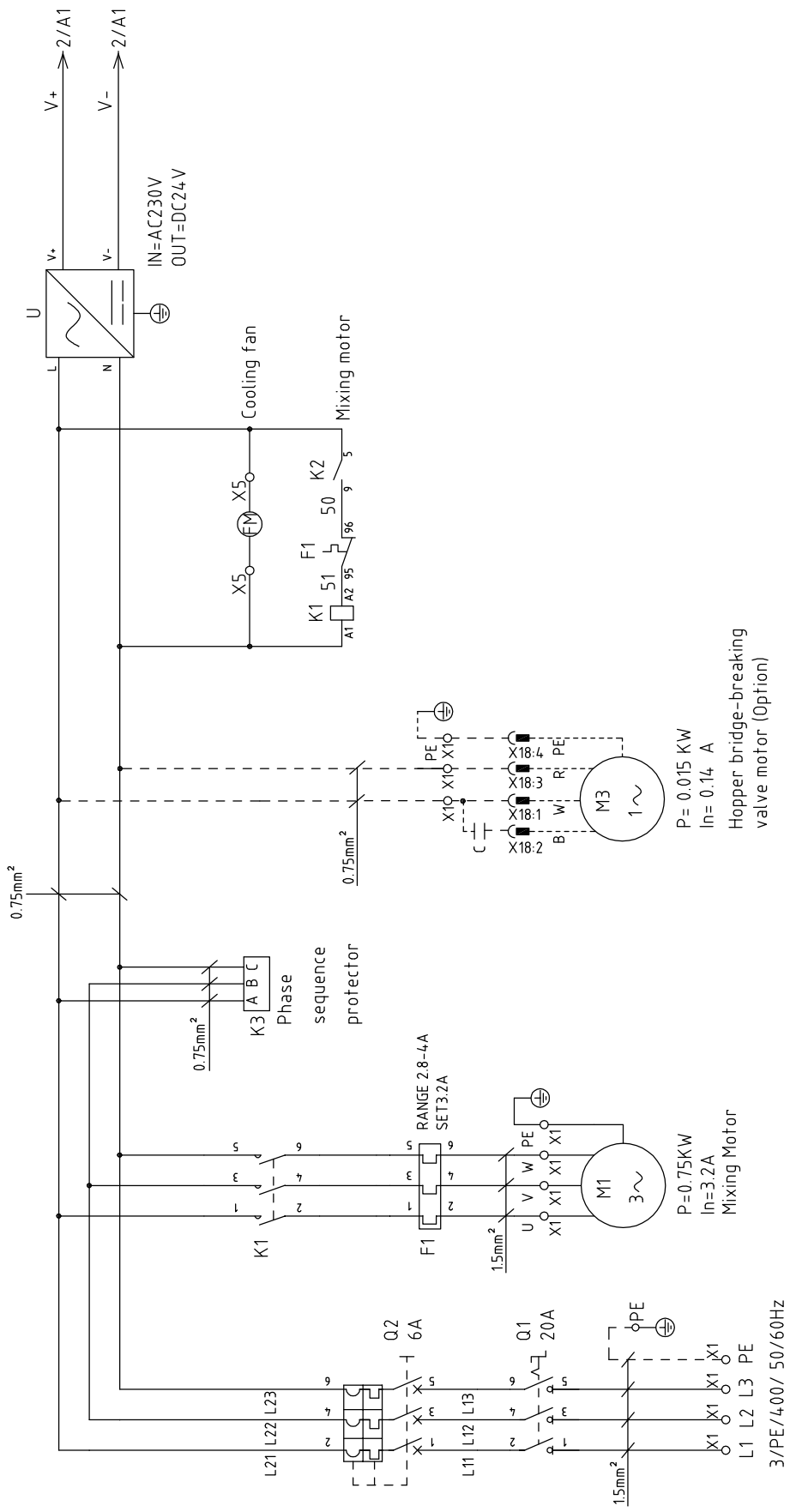


1	2		3		4	5	6	7	8
NO.	Symbol	Name	Manufacturer	Type	Specification	Number	Material number	Remark	
1	Q1	Main power switch	EATON	T0-2-1/EA/SVB	20A	1	YE10021160000		
2	Q2	Circuit breakers	TECO	BM-63C 3P	6A	1	YE40300603000		
3	Q3	Circuit breaker	TECO	BM-63C	3A	1	YE40100203000		
4	S3	Capacitive proximity switch	IFM	KI 5082	10~36VDC	1	----	(1)	
5	S7~S10	Capacitive proximity switch	IFM	KI 5082	10~36VDC	4	----	(1) (2)	
6	S5	Safety switch	SCHMERSRC	AZ152VK-14.76	AC-15	1	----	(1)	
7	S6	Pressure switch	FOX	K4SA02	1~12KG	1	----	(1)	
8	K1	Contactors	SIEMENS	3RT6015-1AN21	230V 50/60Hz	1	YE00601521000		
9	K2	Middle relay	WEIDMULLER	DRM270024LT	24VDC 12A	1	YE03272400000		
10	K3	Phase sequence relay	CHAOSHI	ABJ-10W	230V	1	YE03102200000		
11	F1	Thermal overload relays	SIEMENS	3RU6116-1EB0	2.8-4A	1	YE01160280000		
12	U	DC power	MEAN WELL	S-100-24	+24V 4.5A	1	YE71102400000		
13	A0~A7	4组份称重材料控制器/Controller	B&R	----	----	1	YE80024000400	Cancel	
14	A0	CPU/controller	B&R	X20 CP0410	----	1	YE80041000200	New	
15	A5	CPU base	B&R	X20 BB52	----	1	YE80041100300	New	
16	A1	Power module	B&R	X20 PS9600	----	1	YE80960000000	New	
17	A2	Input module	B&R	X20 DI9371	----	1	YE80937100000	New	
18	A3	Weighing module	B&R	X20 AI1744	----	1	YE80200000500	New	
19	A4	Output module	B&R	X20 DO9322	----	1	YE80209300000	New	
20	A5	Common module	B&R	X20 CM8281	----	1	YE80200000700	New	
21	A6	Output module	B&R	X20 DO6322	----	1	YE80632200000	New	
22		12 core terminal block	B&R	X20 TB12	----	6	YE80201100000	New	
23		I/O bus module	B&R	X20 BM11	----	5	YE80200100000	New	
24	HMI	Human-machine interface	SCHNEIDER	GXU3512	24VDC	1	YE80351200100		
25	H1	Three-color alarm Lamp with buzzer	SHINI	PK-27A	24VDC	1	BL90002401520		

机型版本 Ver.D		Notes: (1) Materials not in the control box; (2) Optional low level sensor; (3) Optional bridge breaking valve; (4) Optional shut-off valve;													
Mark	Before modification	After modification	Modified by	Modify date	Checked by	Proofread by	Designer	Drawer	Version	F	Title	Scale		Page	
											SGB-2000-4	Standard	9		
											CE		Totally 10		
											Voltage		3φ230V		
											Frequency		50/60HZ		
1	2	3	4	5	6	7	8	 <b>信易電熱機械股份有限公司</b> <b>Shini Plastics Technologies, Inc.</b>							8





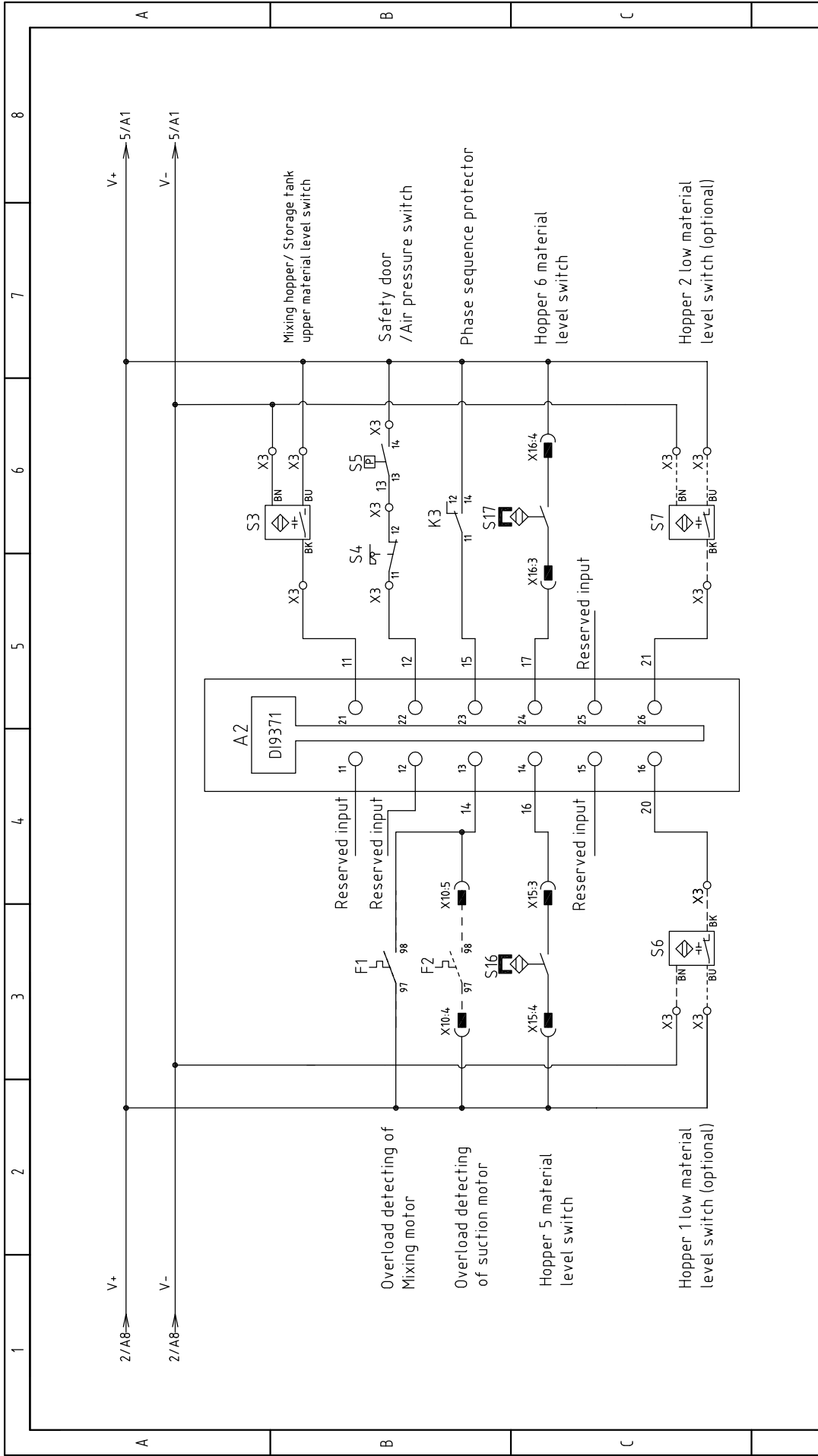


SGB-2000 机型版本 Ver.C SGB-3000 机型版本 Ver.B

D	Mark	Before modification	After modification	Modified by	Modify date	Checked by	Proofread by	Designer	Drawer	Version	C	Title	SGB-2000/3000-6		Drawing NO.	SGB-2000/3000-6-CE-230V-C-1		Scale	Standard	CE	Page	1
		Electrical Diagram 1		SGB-2000/3000-6-CE-230V-C-1						Approved by	Electrical Diagram 1		Standard	CE		Totally	14		Pages	Voltage		3Φ230V
													1	5	6	7			8			



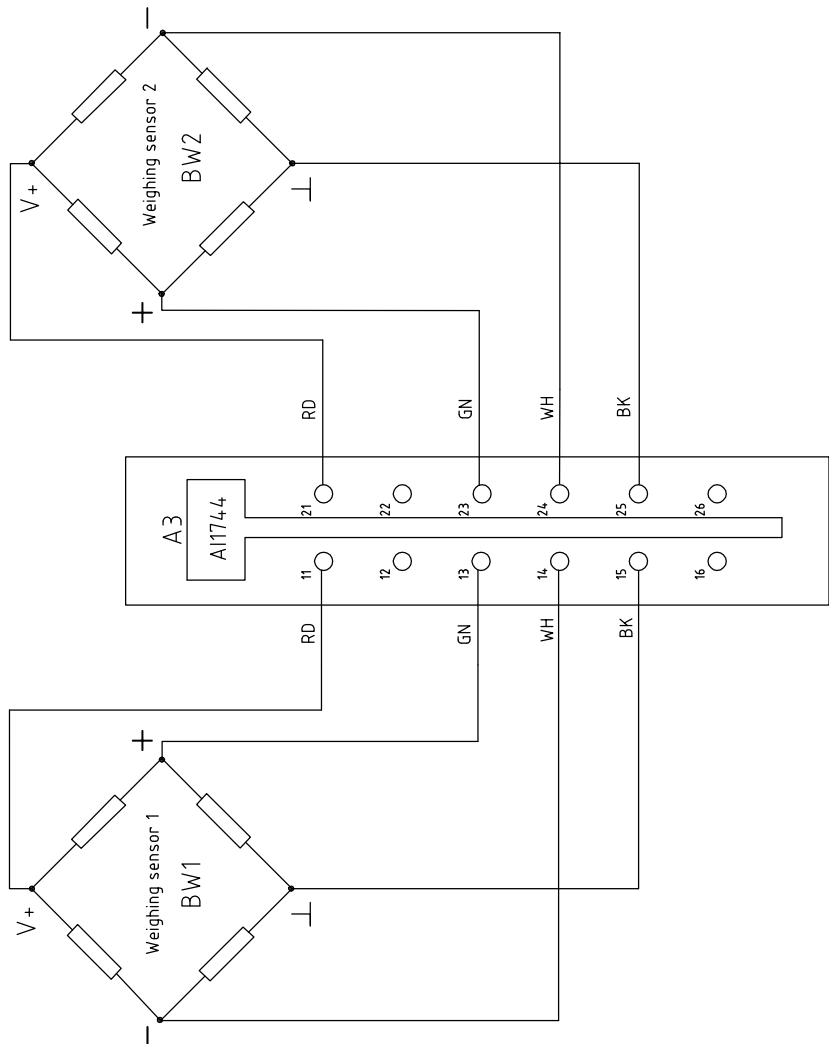




SGB-2000 机型版本 Ver.C SGB-3000 机型版本 Ver.B		Title		SGB-2000/3000-6		Drawing NO.		Page 3	
		Version		Electrical Diagram 3		SGB-2000/3000-6-CE-230V-C-3		Standard	
		Approved by						CE	
		Date		20200314				Voltage	
		Modify date						3Φ230V	
		Modified by						Frequency	
		Checked by						50/60HZ	
		Proofread by						Totally 14	
		Designer						Pages	
		Drawer						8	



1 2 3 4 5 6 7 8



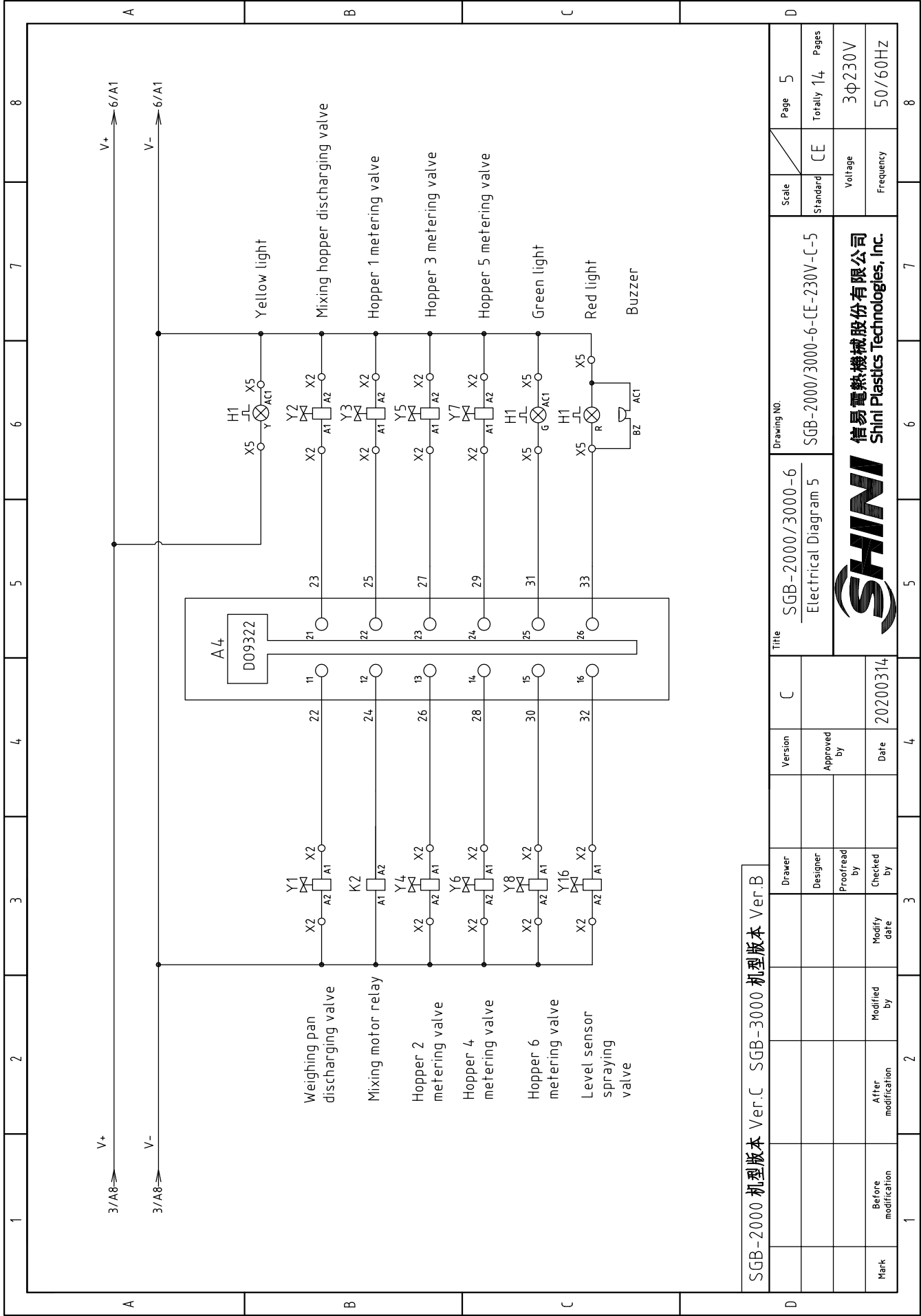
SGB-2000 机型版本 Ver.C SGB-3000 机型版本 Ver.B

Mark	Before modification	Modified by	Modify date	Checked by	Date	20200314
	After modification	Modified by	Modify date	Checked by	Date	
		Proofread by		Approved by		
		Designer		Version	C	
		Drawer		Title SGB-2000/3000-6 Electrical Diagram 4		

Scale	Standard	CE	Page	4
			Totally	14
			Voltage	3Φ230V
			Frequency	50/60HZ



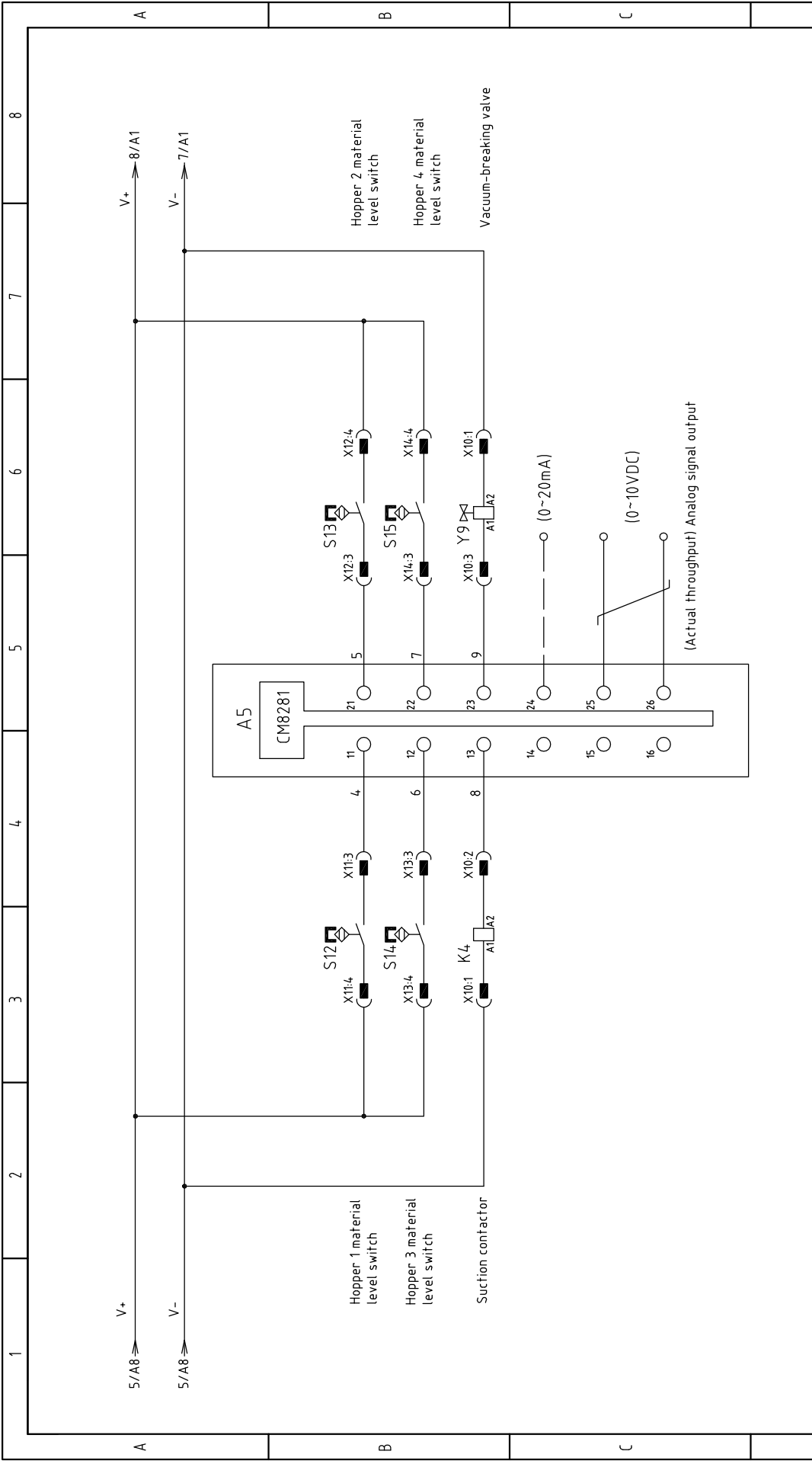
1 2 3 4 5 6 7 8



SGB-2000 机型版本 Ver.C SGB-3000 机型版本 Ver.B

1	2	3	4	5	6	7	8
Title				Drawing NO.			
SGB-2000/3000-6				SGB-2000/3000-6-CE-230V-C-5			
Electrical Diagram 5				Scale			
C				Standard			
Version				Page			
Approved by				CE			
Date				Voltage			
20200314				3Φ230V			
Mark				Frequency			
Before modification				50/60HZ			
After modification				8			
Modified by				7			
Modify date				6			
Checked by				5			
Proofread by				4			
Designer				3			
Drawer				2			
Totally				14			
Pages				5			

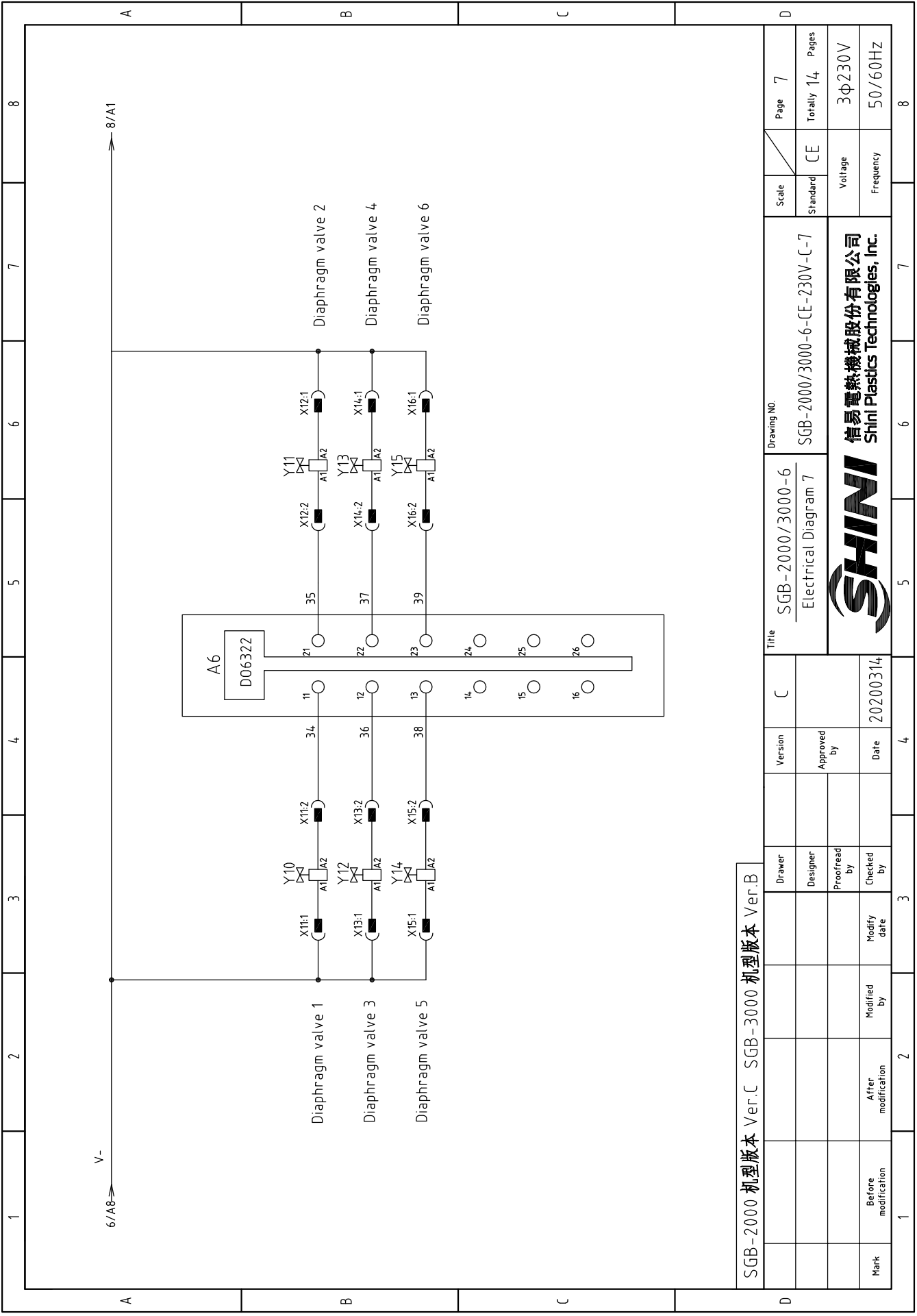




SGB-2000 机型版本 Ver.C SGB-3000 机型版本 Ver.B

D	Scale	CE	Page	6
	Standard	CE	Totally	14
Title		SGB-2000/3000-6		
Drawing NO.		SGB-2000/3000-6-CE-230V-C-6		
Version		C		
Approved by				
Date		20200314		
Mark	Before modification	Modified by	Modify date	
Voltage		3Φ230V		
Frequency		50/60HZ		

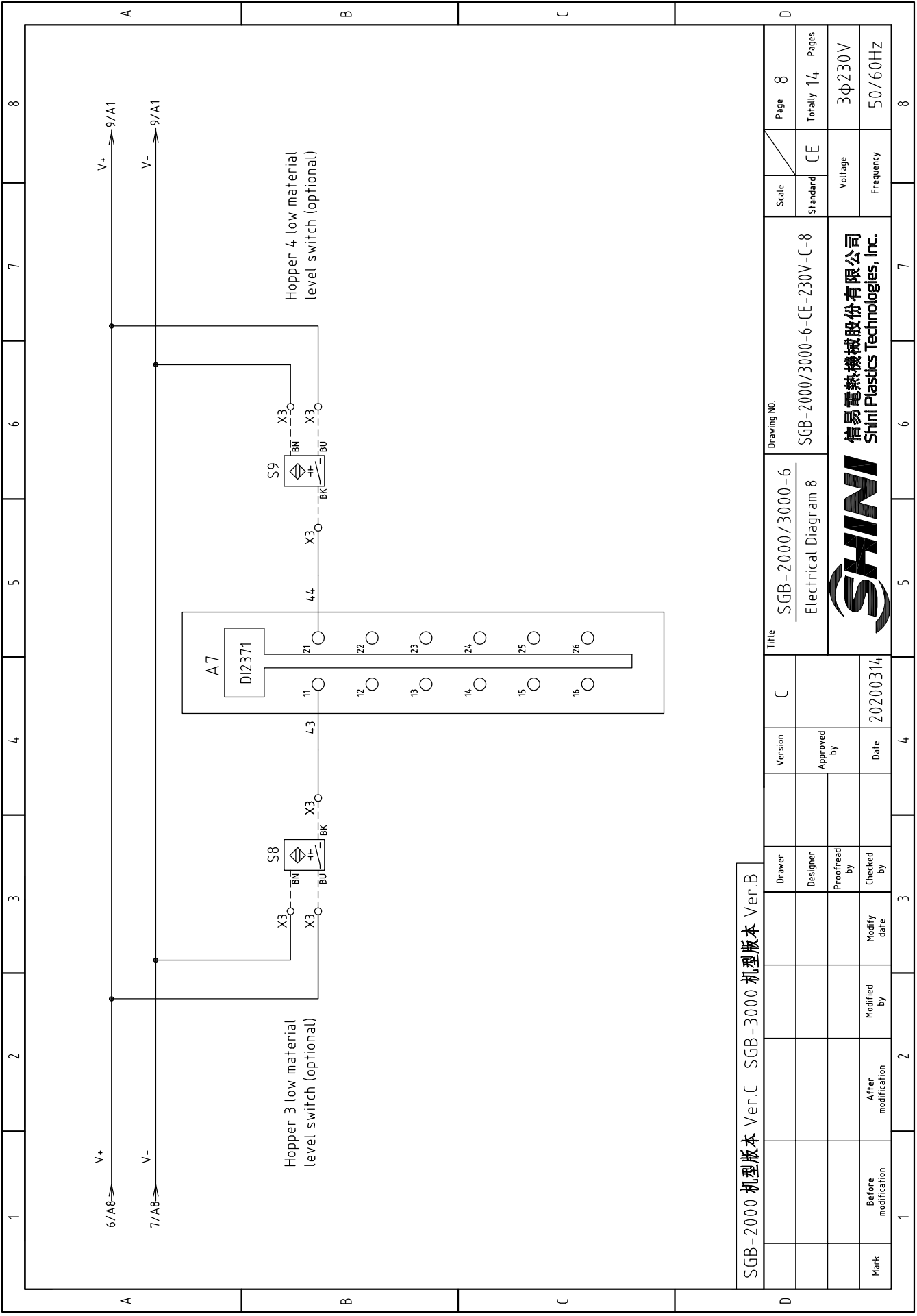




SGB-2000 机型版本 Ver.C SGB-3000 机型版本 Ver.B

1	2	3	4	5	6	7	8
Title			Version		Scale		Page
SGB-2000/3000-6			C		Standard		7
Electrical Diagram 7			Approved by		CE		Totally 14
SHINI			Date		Voltage		3Φ230V
信易電熱機械股份有限公司 Shini Plastics Technologies, Inc.			20200314		Frequency		50/60HZ
Drawing NO.			2		8		8
SGB-2000/3000-6-CE-230V-C-7			4		9		8
Mark			Before modification		After modification		1
Modify date			3		4		2
Checked by			5		6		3
Proofread by			7		8		4
Designer			8		9		5
Drawer			9		10		6

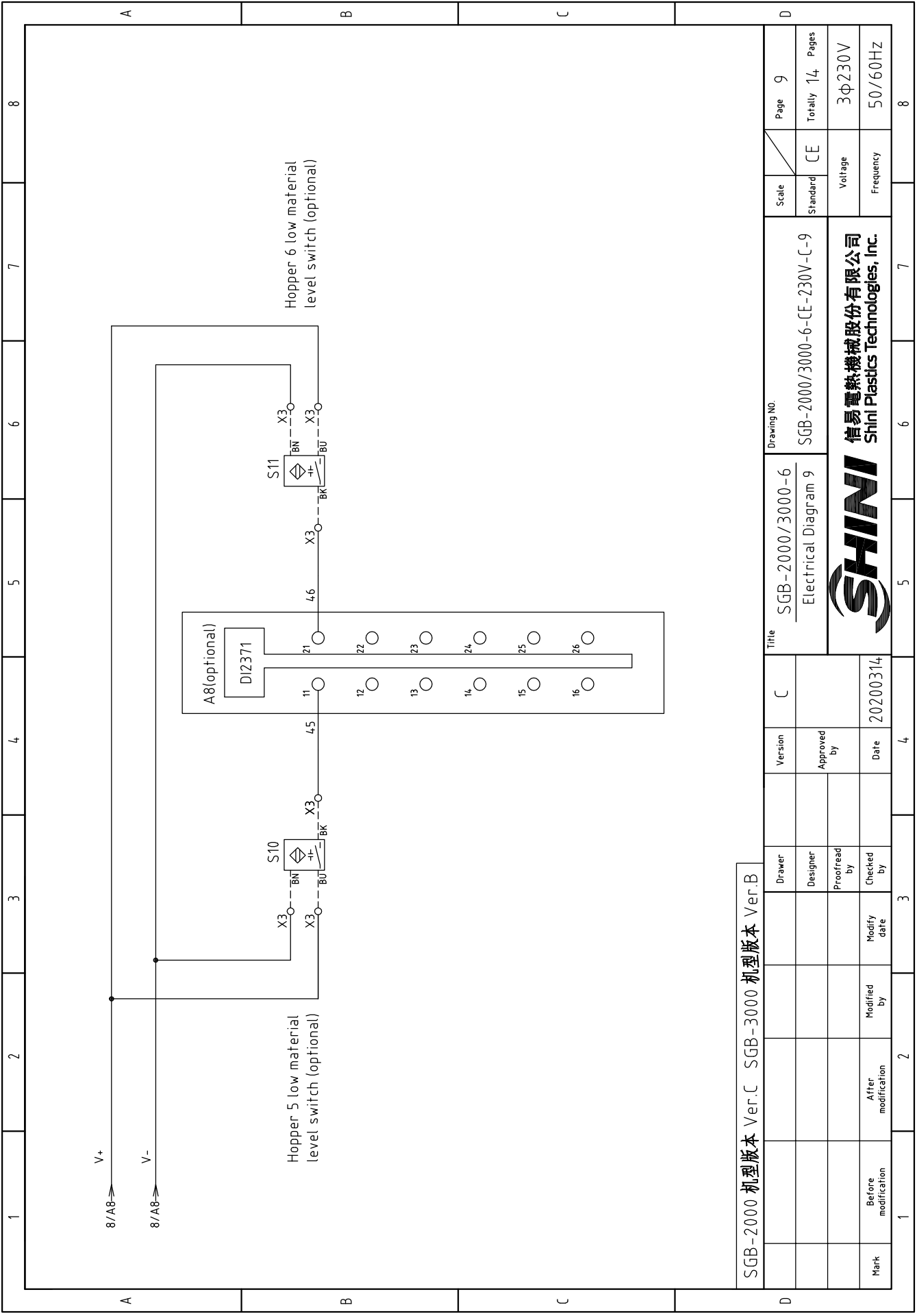




SGB-2000 机型版本 Ver.C SGB-3000 机型版本 Ver.B

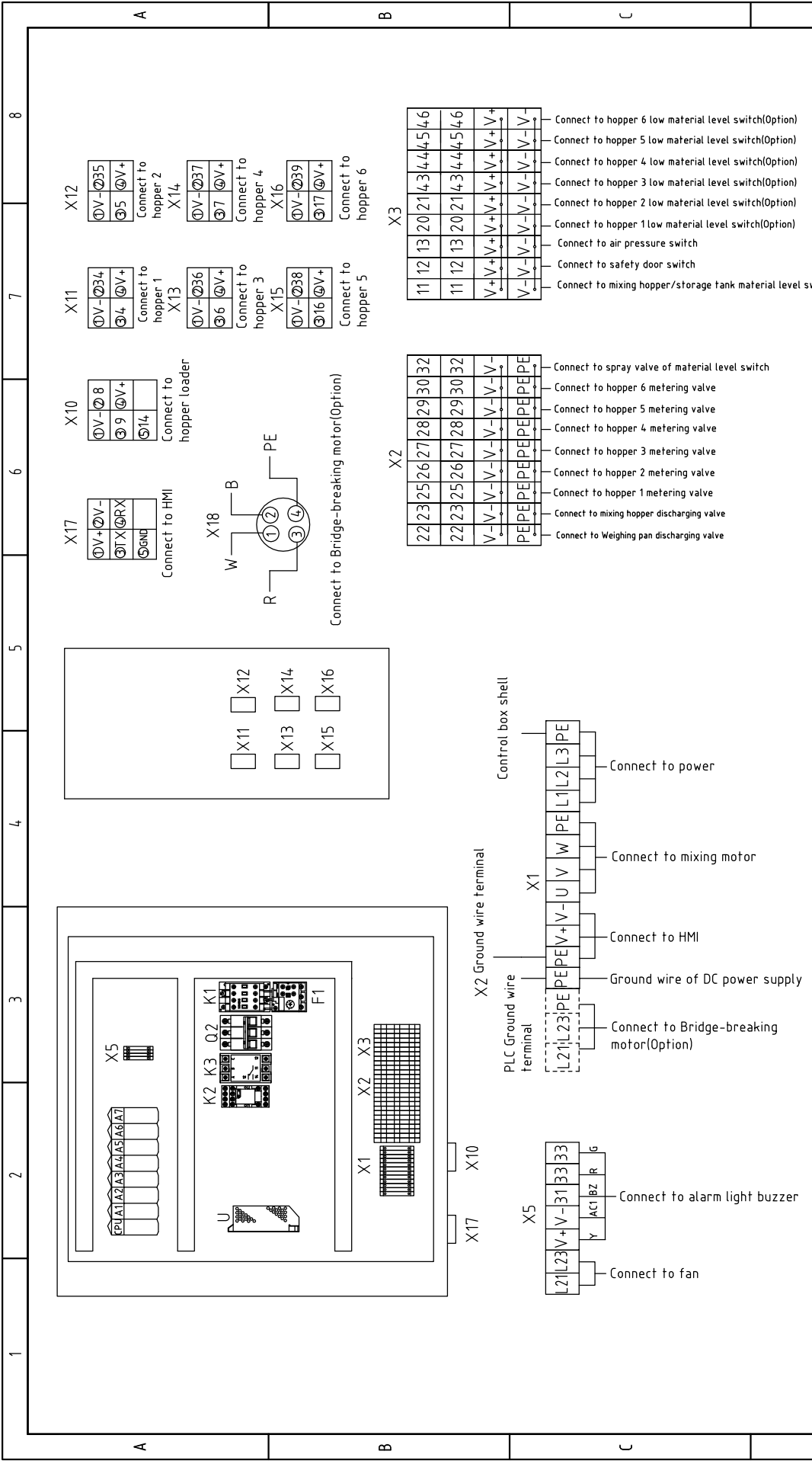
Mark	Before modification	Modified by	Modify date	Checked by	Date	Version	C	Title	SGB-2000/3000-6 Electrical Diagram 8	Drawing NO.	SGB-2000/3000-6-CE-230V-C-8	Scale	CE	Page	8
	After modification	Modified by	Modify date	Checked by	Date	Approved by						Standard	Voltage	Totally	14
													Frequency		Pages
															3Φ230V
															50/60HZ
															8





SGB-2000 机型版本 Ver.C SGB-3000 机型版本 Ver.B

D	Scale		Page		8	
	Standard	CE	Totally	14	Pages	
Drawing NO.		SGB-2000/3000-6-CE-230V-C-9		Voltage		3Φ230V
Title		SGB-2000/3000-6 Electrical Diagram 9		Frequency		50/60HZ
Version		C		Date		20200314
Designer		Approved by		Date		4
Proofread by		Checked by		Modify date		3
Mark		Before modification		After modification		2
SHINI		信易电热机械股份有限公司 Shini Plastics Technologies, Inc.		6		7
SHINI		SHINI		5		8

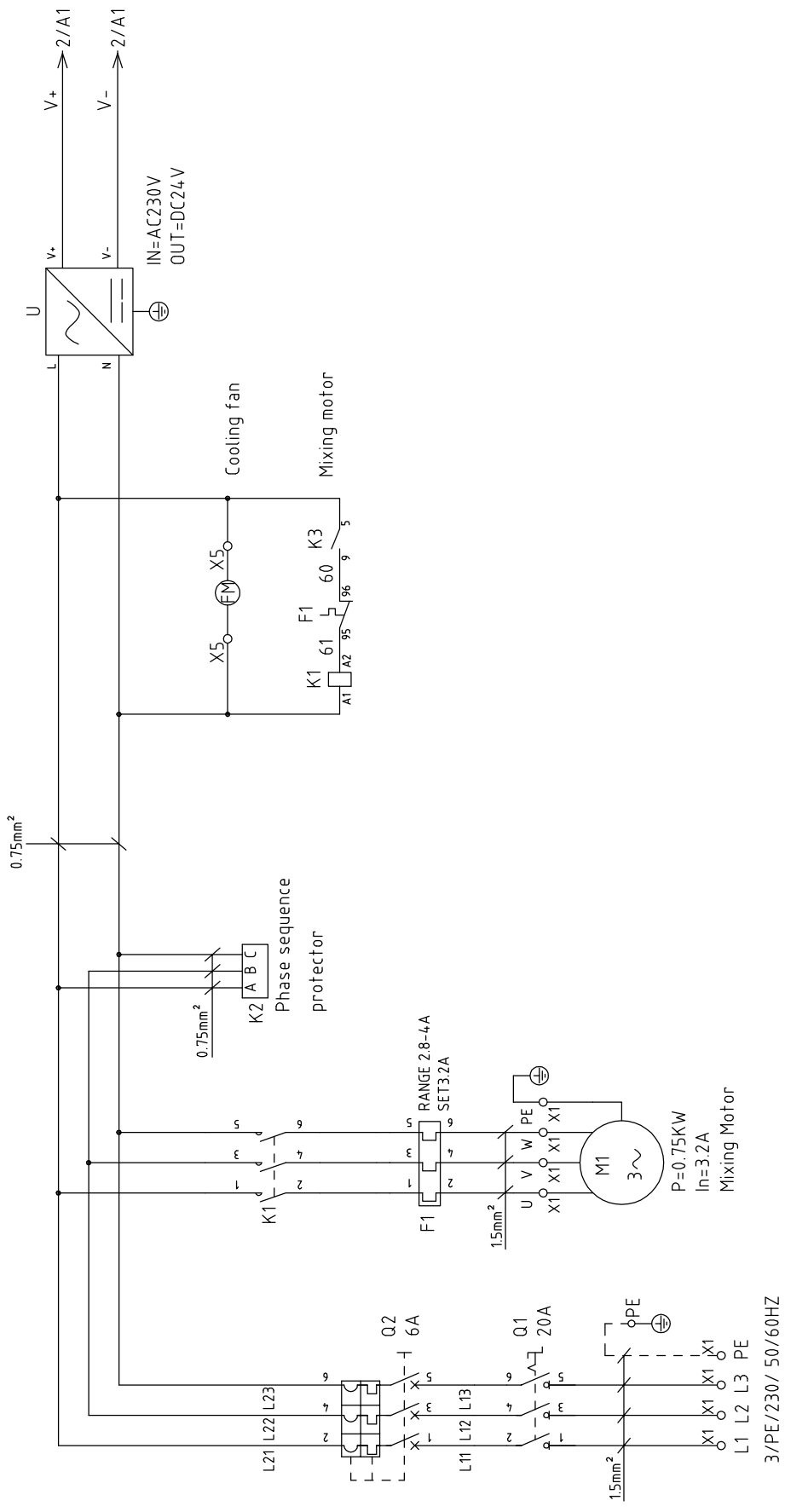


SGB-2000 机型版本 Ver.C		SGB-3000 机型版本 Ver.B		Title		SGB-2000/3000-6		Drawing NO.		Page 10	
Electrical Components Layout		Electrical Components Layout		SGB-2000/3000-6-CE-230V-C-10		Standard		CE		Totally 14 Pages	
Mark		Before modification		Modified by		Date		Voltage		3Φ230V	
Mark		After modification		Checked by		Date		Frequency		50/60HZ	
20200314		20200314		20200314		20200314		Voltage		3Φ230V	
20200314		20200314		20200314		20200314		Frequency		50/60HZ	
20200314		20200314		20200314		20200314		Frequency		50/60HZ	



1	2		3	4	5	6	7	8
No.	Symbol	Name	Manufacturer	Type	Specification	Number	Material number	Remark
1	Q1	Main power switch	EATON	TO-2-1/EA/SVB	20A	1	YE10021160000	
2	Q2	Circuit-Breakers	TECO	BM-63C/ 3006S	6A	1	YE40603000000	
3	S3	Capacitive proximity switch	IFM	KI 5082	10~36VDC	1	----	(1)
4	S6-S11	Capacitive proximity switch	IFM	KI 5082	10~36VDC	6	----	(1) (2)
5	S4	Safety switch	SCHMERSRC	AZ152VK-14.76	AC-15	1	----	(1)
6	S5	Pressure switch	FOX	K4SA02	1~12KG	1	----	(1)
7	K1	Contactors	SIEMENS	3RT6015-1AN21	230V 50/60Hz	1	YE00601521000	
8	K3	Phase sequence protector	CHAOSHI	ABJ-10W	230V	1	YE03103800000	
9	K2	Middle relay	WEIDMULLER	DRM270024LT	24VDC 12A	1	YE03272400000	
10	F1	Thermo-overload-relay	SIEMENS	3RU6116-1DB0	2.2-3.2A	1	YE04160220000	Cancel
11	F1	Thermo overload relay	SIEMENS	3RU6116-1EB0	2.8-4A	1	YE01160280000	New
12	U	DC power	MEAN WELL	S-100-24	+24V 4.5A	1	YE71102400000	
13	CPU,A1~A7	4-component gravimetric Controller	B&R	----	----	1	YE80024000100	
14	A8	Digital input mouldle	B&R	X20 DI2371	----	1	YE80237100000	(2)
15		Terminal block	B&R	X20 TB12	----	1	YE80201100000	(2)
16		Bus mouldle	B&R	X20 BM11	----	1	YE80200100000	(2)
17	HMI	Human-machine interface	SCHNEIDER	GXU3512	24VDC	1	YE80351200100	
18	H1	3-color alarm lamp with buzzer	----	PK-27A	24VDC	1	BL90002401520	
19	BW1BW2	Weighing sensor	VISHAY	20KG	10VDC 2mV/V	2	----	(1)
20	X1	Terminal	Honeywell	SK2.5	2.5mm <sup>2</sup>	8	YE60002503200	
21	X1	Terminal	Honeywell	GK2.5PE	2.5mm <sup>2</sup> PE	4	YE60002503400	
22	X2,X3	Terminal	Honeywell	SK2.5-TL	250V 2.5	20	YE60002503600	
23	X5	Terminal	Honeywell	SK2.5	2.5mm <sup>2</sup>	7	YE60002503200	
24	X11~X16	Heavy-duty plug-in	HARTING	Han 4A-F	4P+PE	6	YE68000401400	
25	X10	Heavy-duty plug-in	HARTING	Han Q5/0-F	5P+PE	1	YE68000501400	
机型版本 Ver.C Note: (1) means not part of control box. (2) Optional low material level switch.								
Title				SGB-2000-6		Drawing NO.		Page
Electrical Components List 1				SGB-2000-6-CE-230V-C-11		Standard		CE
SHINI				信易电热机械股份有限公司		Voltage		3Φ230V
SHINI				Shini Plastics Technologies, Inc.		Frequency		50/60HZ
Mark	Before modification	After modification	Modified by	Modify date	Checked by	Date	20200314	8
1	2	3	4	5	6	7	8	8

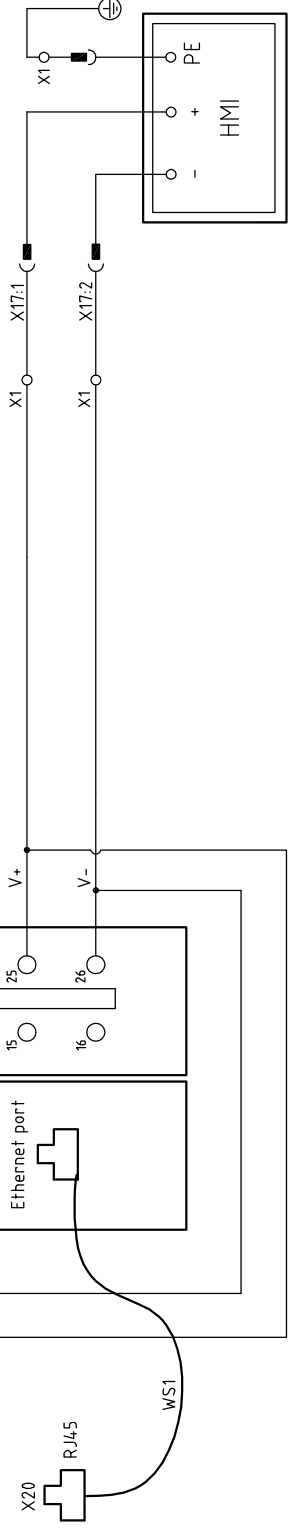
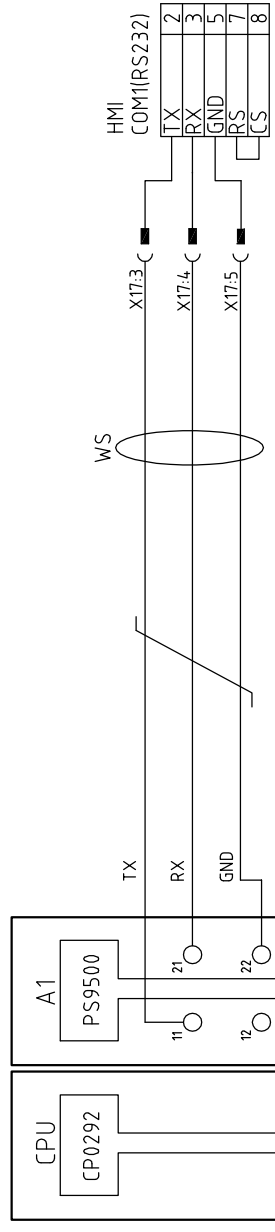
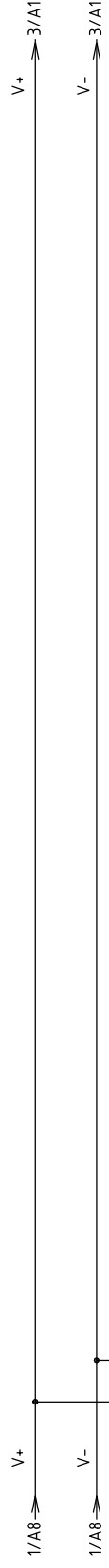




机 型 本 本	Ver.C
Mark	Before modification
Mark	After modification
Modified by	
Modify date	
Checked by	
Proofread by	
Designer	
Drawer	
Version	A
Approved by	
Date	20200314

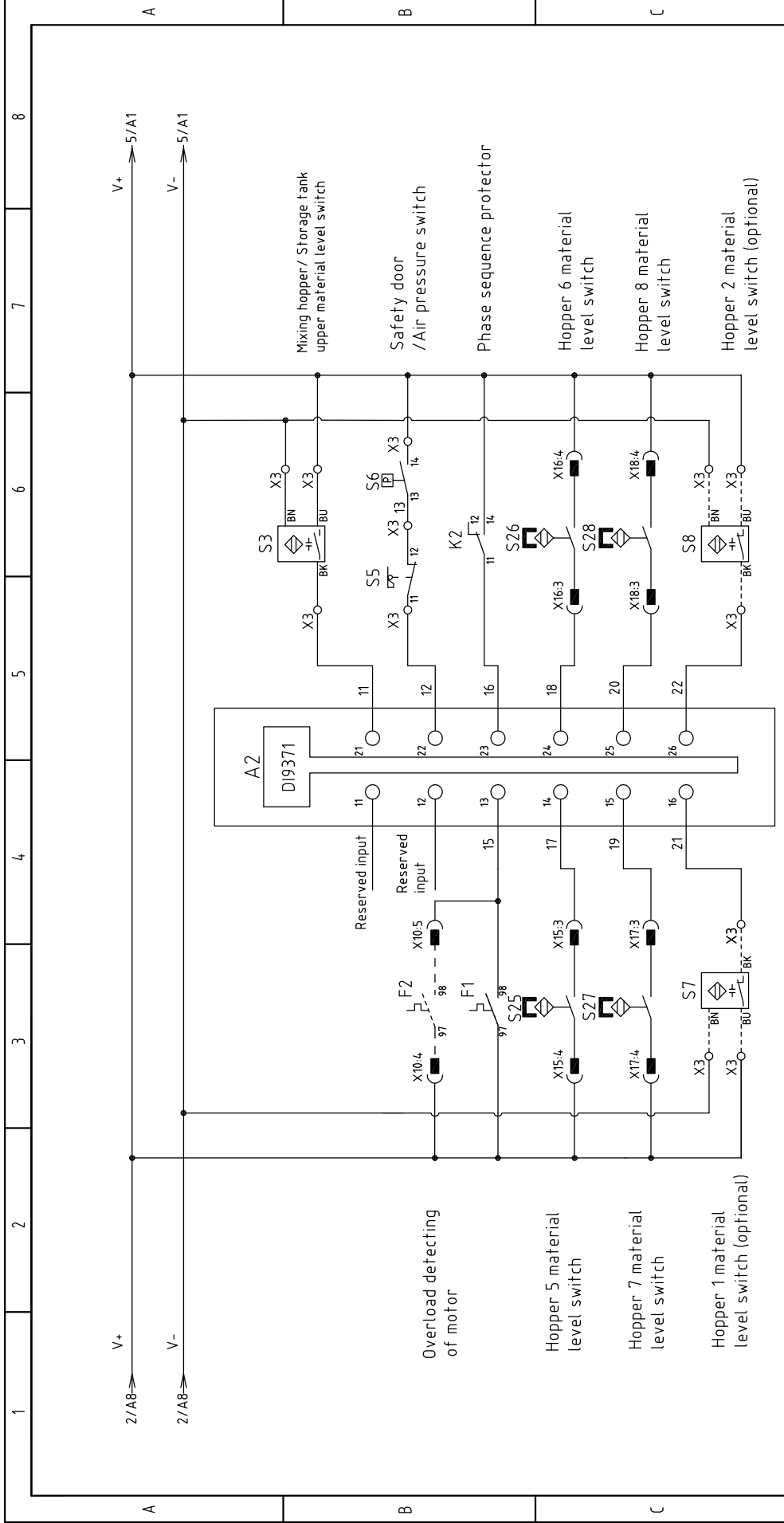
Title		SGB-2000-8	
Electrical Diagram 1		SGB-2000-8-CE-230V-A-1	
Drawing NO.		SGB-2000-8-CE-230V-A-1	
SHINI		信易电热机械股份有限公司 Shini Plastics Technologies, Inc.	
Voltage		3Φ230V	
Frequency		50/60HZ	

Scale	CE	Page	1
Standard	CE	Totally	14
Voltage		3Φ230V	
Frequency		50/60HZ	



机型版本 Ver.C

D	Mark	Before modification	Modified by	20200314	Version	A	Title	SGB-2000-8		Scale	Page 2
		After modification	Modified date	Electrical Diagram 2				Standard	Totally 14		
Drawing NO. SGB-2000-8-CE-230V-A-2 <b>SHINI</b> 信易电热机械股份有限公司 Shini Plastics Technologies, Inc.								Voltage	3Φ230V		
								Frequency	50/60HZ		
											8



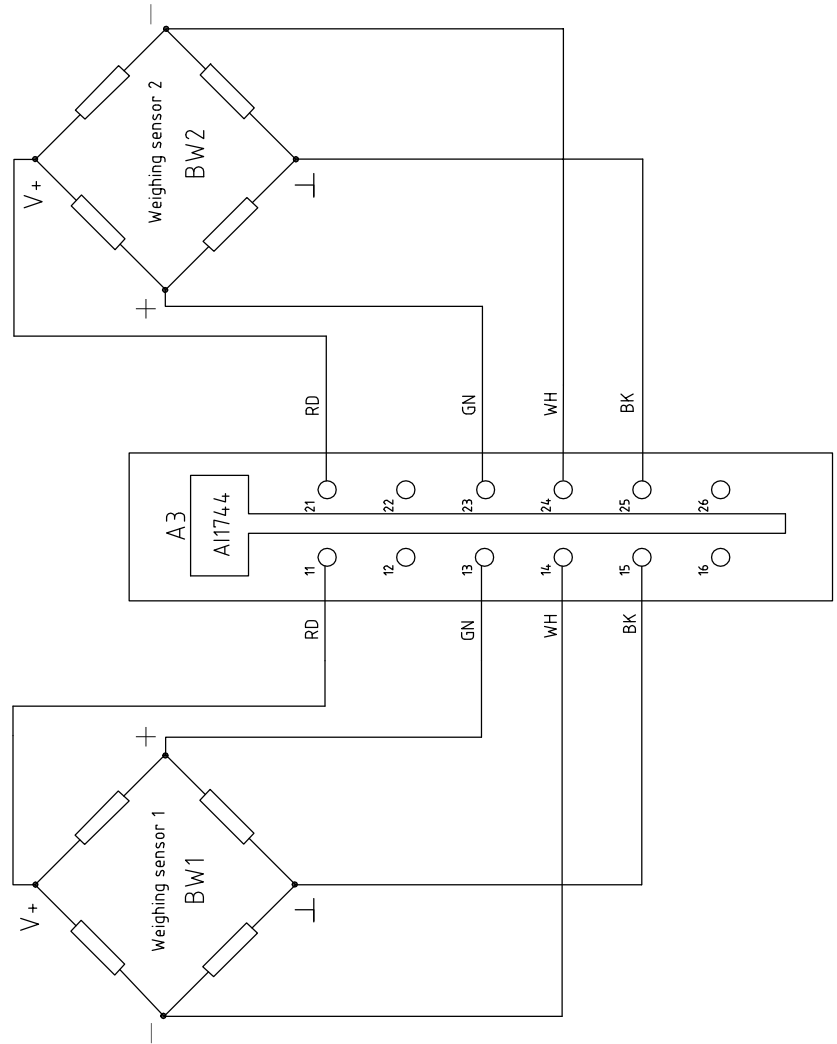
机型版本 Ver.C

1	2	3	4	5	6	7	8
A	B	C	D				
Title			Version		Drawing NO.		
SGB-2000-8 Electrical Diagram 3			A		SGB-2000-8-CE-230V-A-3		
Designer			Approved by		Standard		
Proofread by			Date		CE		
Checked by			20200314		Voltage		
Modify date					3Φ230V		
Modified by					Frequency		
Before modification					50/60HZ		
After modification					Page 3		
Mark					Totally 14 Pages		
1			4		8		



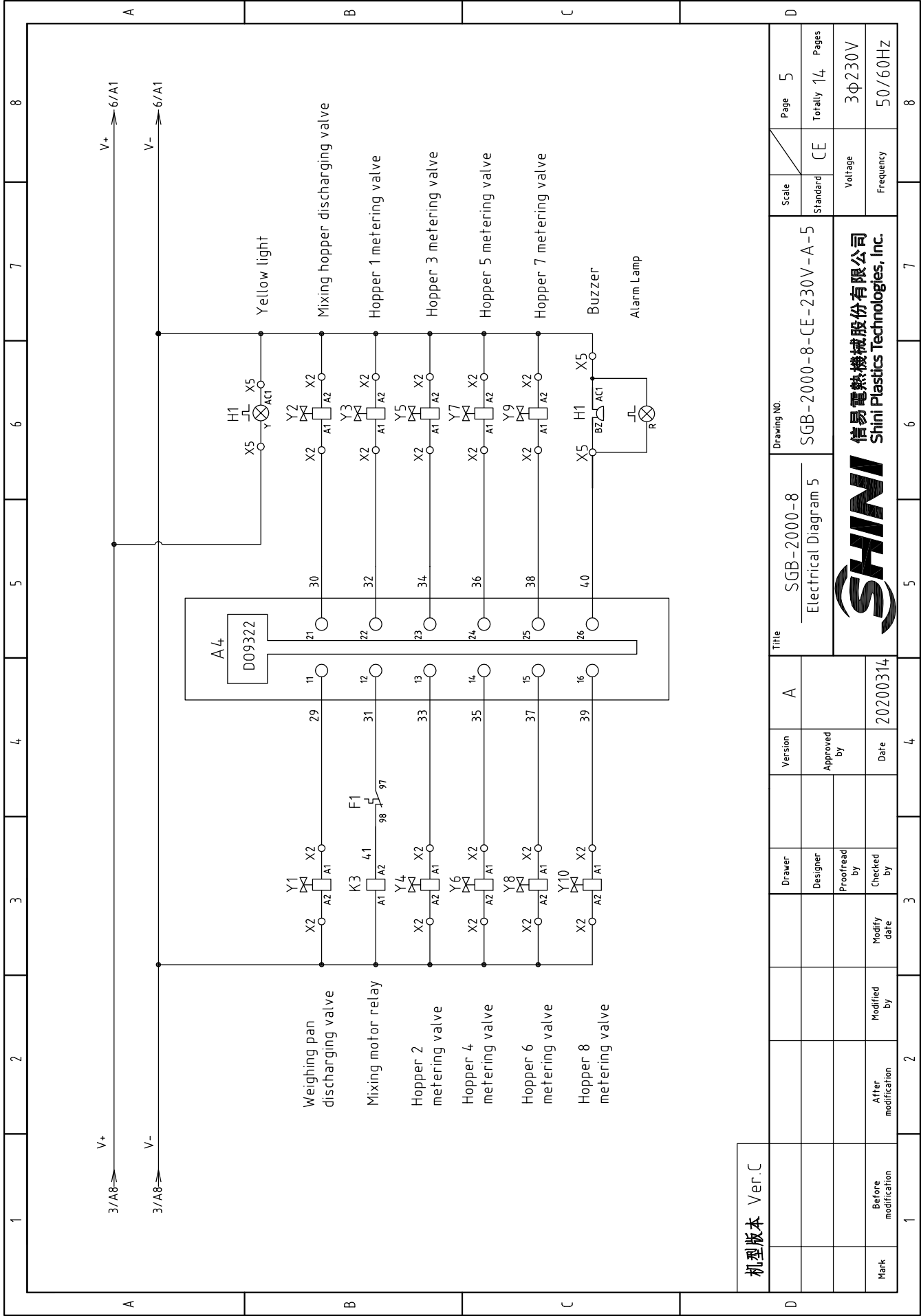


1 2 3 4 5 6 7 8



机型版本 Ver.C

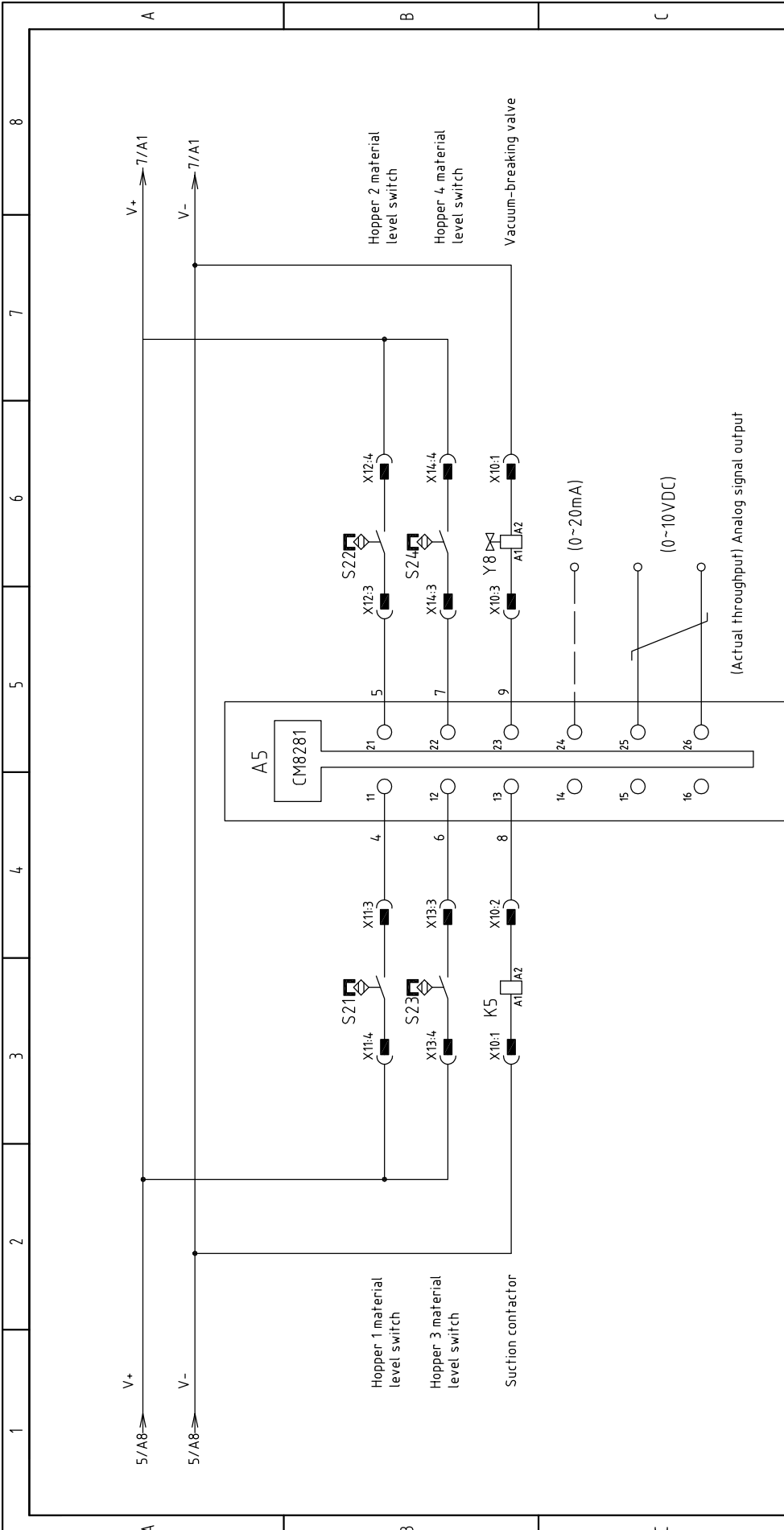
Mark	Before modification	Modified by	Modify date	Checked by	Proofread by	Designer	Drawer	Version	A	Title	SGB-2000-8 Electrical Diagram 4		Scale	Standard	CE	Page	4	
								Approved by		SGB-2000-8-CE-230V-A-4		Standard	CE			Totally	14	
								Date	20200314	SHINI 信易電熱機械股份有限公司 Shini Plastics Technologies, Inc.		Voltage	3Φ230V	Frequency	50/60HZ			
1	2	3	4	5	6	7	8											



机型版本 Ver.C

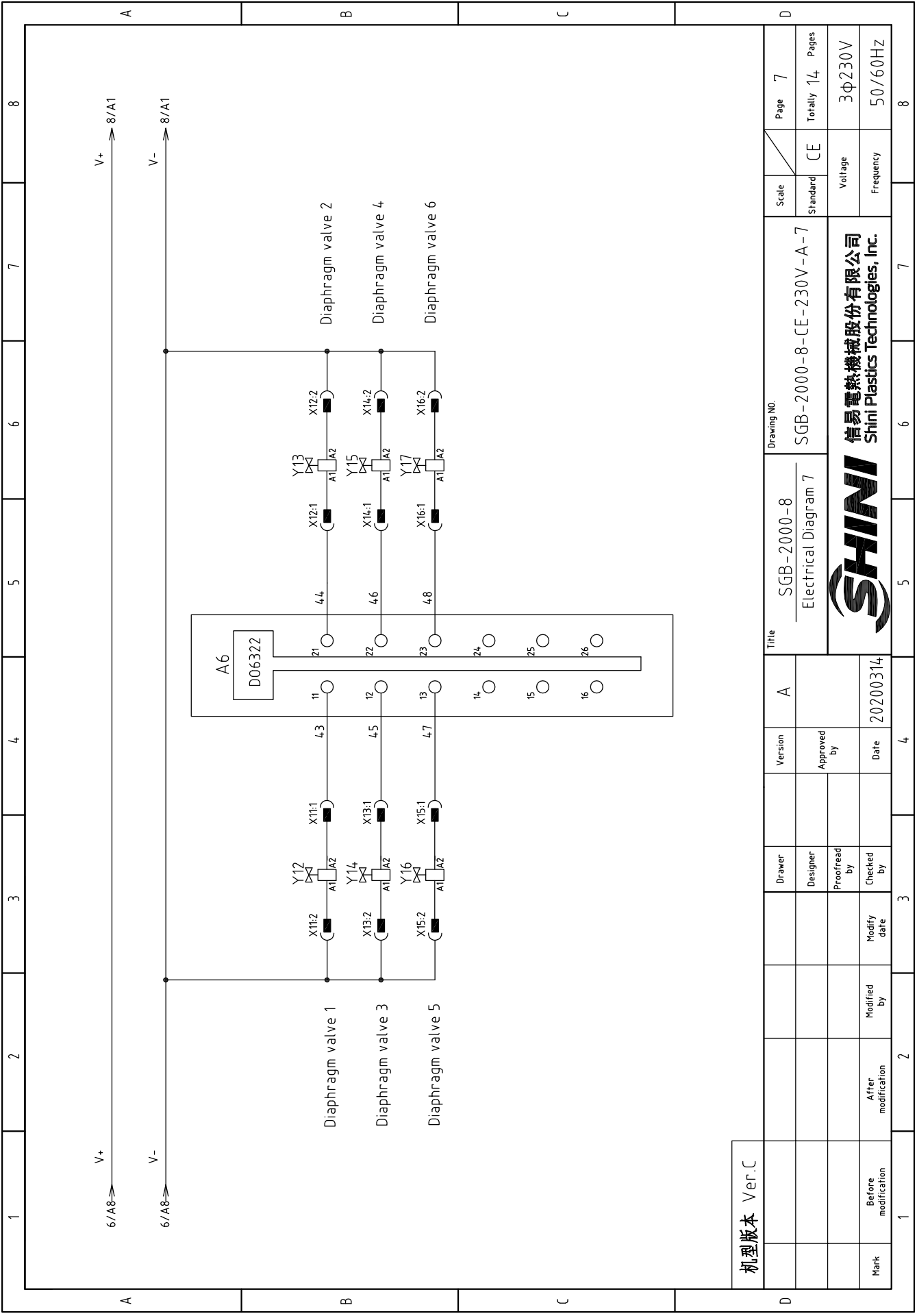
1	2	3	4	5	6	7	8
Version				Title			
A				SGB-2000-8			
Approved by				Electrical Diagram 5			
Date				Drawing NO.			
20200314				SGB-2000-8-CE-230V-A-5			
Checked by				Voltage			
Modify date				Frequency			
After modification				3Φ230V			
Before modification				50/60HZ			
1				2			
3				4			
5				6			
7				8			
Page				Scale			
5				CE			
Totally 14				Pages			
3Φ230V				Voltage			
50/60HZ				Frequency			





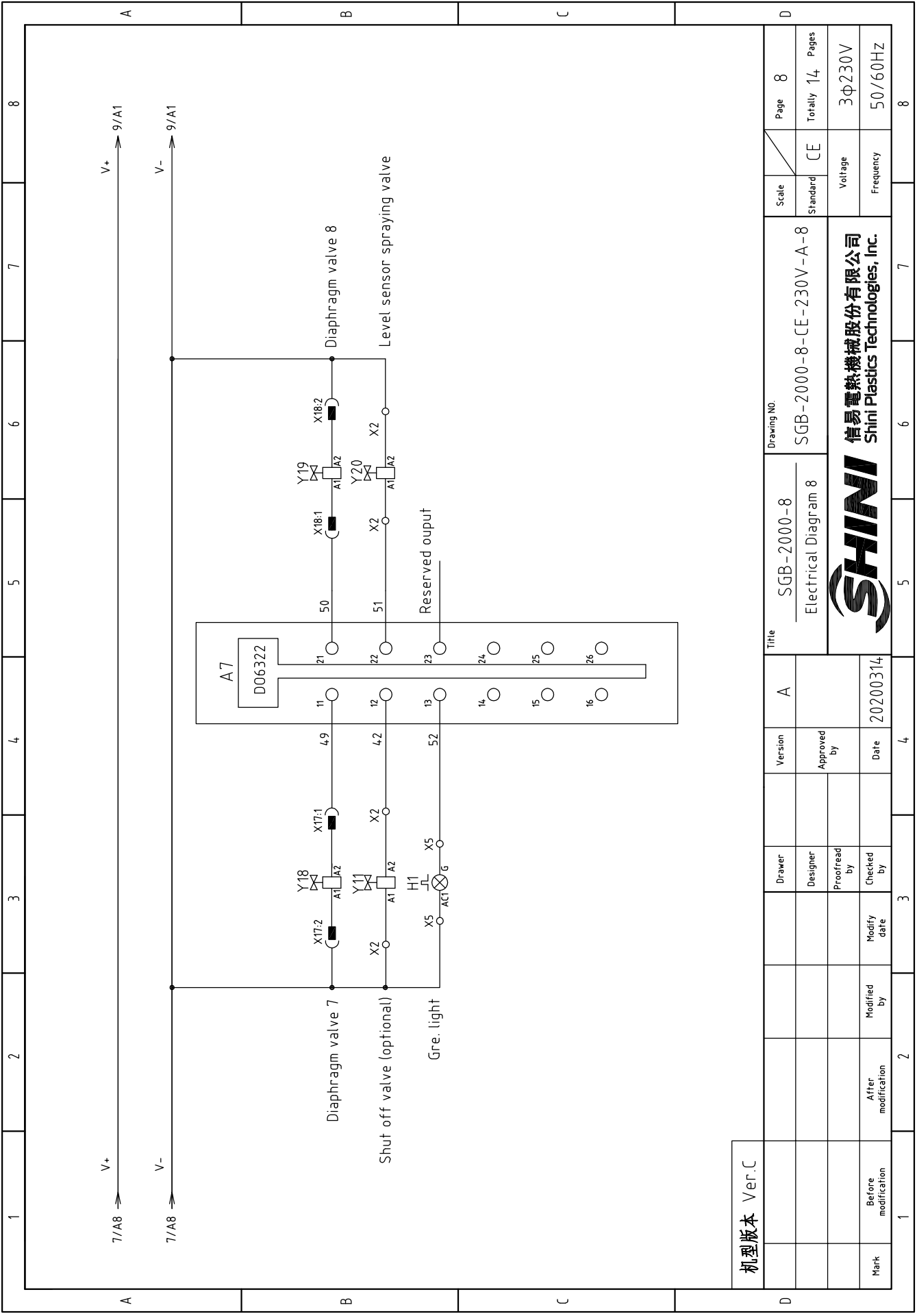
机型版本	Ver.C
Mark	Before modification
	After modification
	Modify date
	Checked by
	Proofread by
	Designer
	Drawer
	Approved by
	Date
	20200314

Title		SGB-2000-8		Drawing NO.		SGB-2000-8-CE-230V-A-6	
Version		A		Standard		CE	
Electrical Diagram 6				Voltage		3Φ230V	
SHINI		信易電熱機械股份有限公司		Frequency		50/60Hz	
SHINI		Shini Plastics Technologies, Inc.		Page		6	
				Totally		14	
				Pages		8	



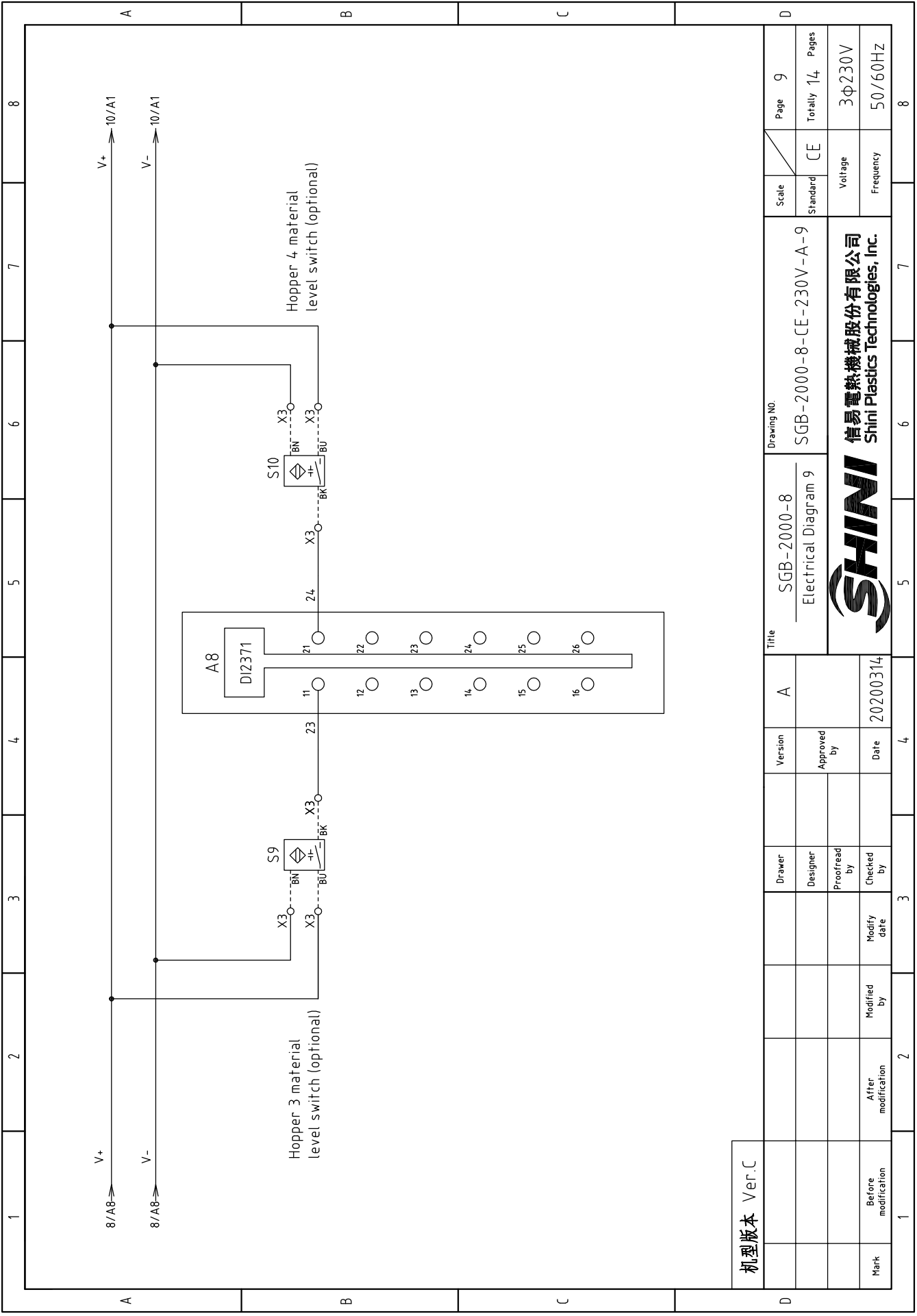
机型版本	Ver.C
Mark	Before modification
	Modified by
	Modify date
	Checked by
	Proofread by
	Designer
	Drawer
	Approved by
	Date
	20200314

Title		SGB-2000-8		Drawing NO.		SGB-2000-8-CE-230V-A-7	
Version		A		Standard		CE	
Electrical Diagram 7		Scale		Voltage		3Φ230V	
SHINI		Frequency		Page		7	
信易電熱機械股份有限公司 Shini Plastics Technologies, Inc.		Totally		Pages		14	
1		2		3		4	
5		6		7		8	




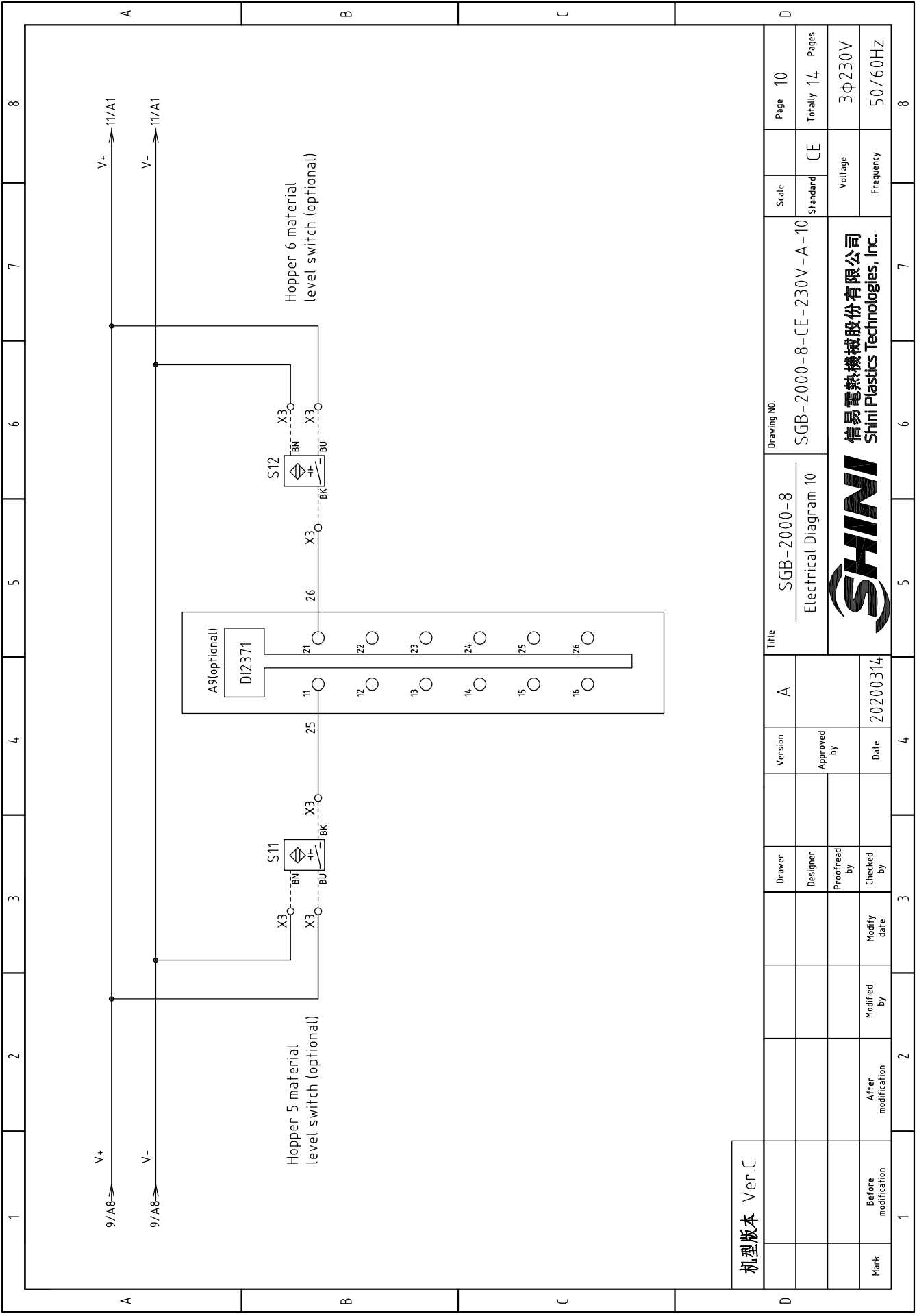
机型版本	Ver.C
Mark	Before modification
	Modified by
	Modify date
	Checked by
	Proofread by
	Designer
	Drawer
	Approved by
	Date
	20200314

Title		SGB-2000-8		Drawing NO.		SGB-2000-8-CE-230V-A-8	
Electrical Diagram 8		Scale		Standard		CE	
Version		A		Page		8	
Approved by				Voltage		3Φ230V	
Date		20200314		Frequency		50/60HZ	
SHINI		信易電熱機械股份有限公司		Shini Plastics Technologies, Inc.		Totally	
						14	
						8	



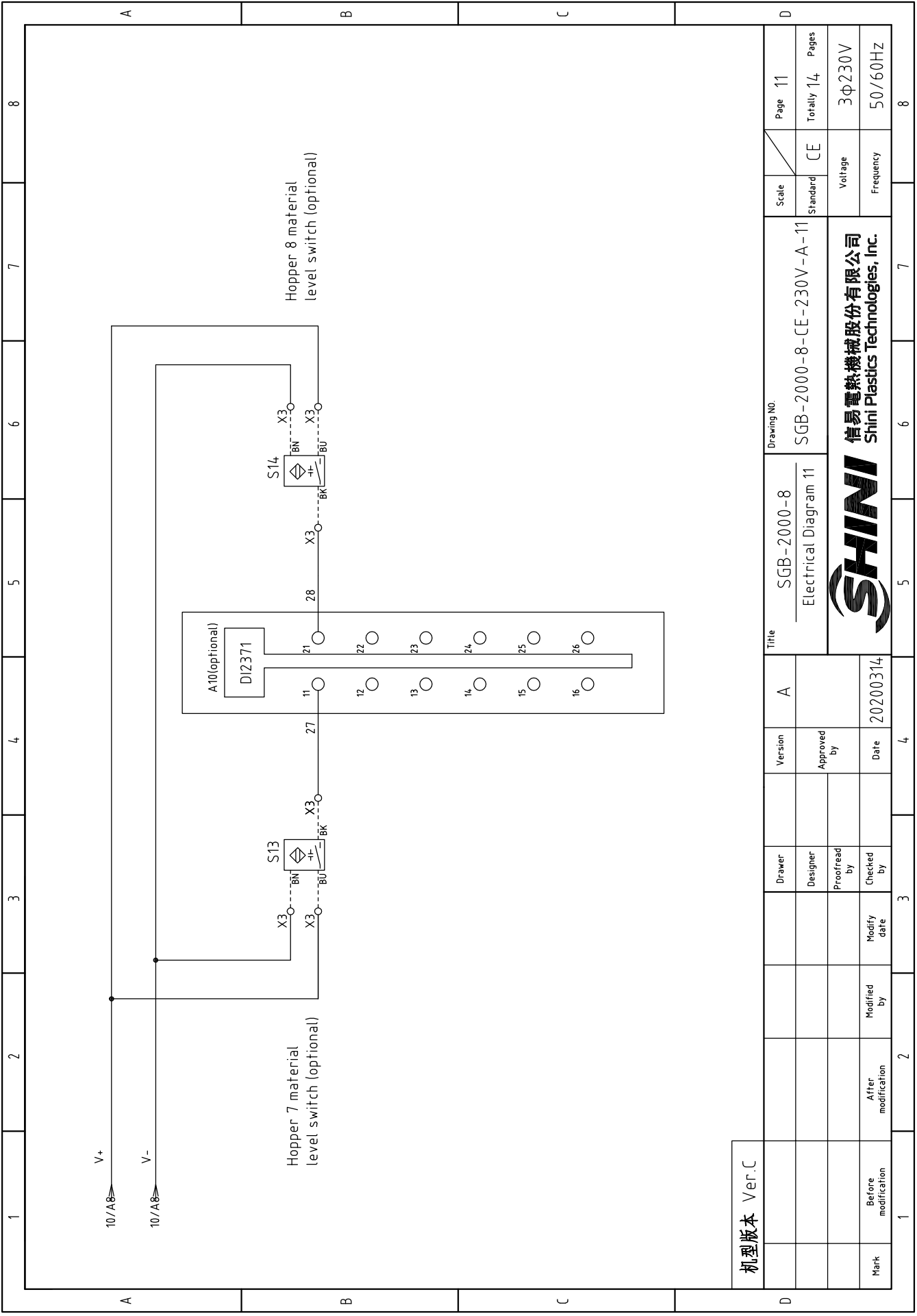
机型版本 Ver.C

D	A	Version	Title		Scale	Page
			SGB-2000-8	SGB-2000-8-CE-230V-A-9		
		Designer	Electrical Diagram 9		Standard	Totally 14
		Proofread by	 信易電熱機械股份有限公司 Shini Plastics Technologies, Inc.		Voltage	3Φ230V
		Checked by			Frequency	50/60HZ
Mark	Before modification	Modified by	Date	20200314		8



机型版本	Ver.C
Mark	Before modification
	Modified by
	Modify date
	Checked by
	Proofread by
	Designer
	Drawer
Version	A
Approved by	
Date	20200314

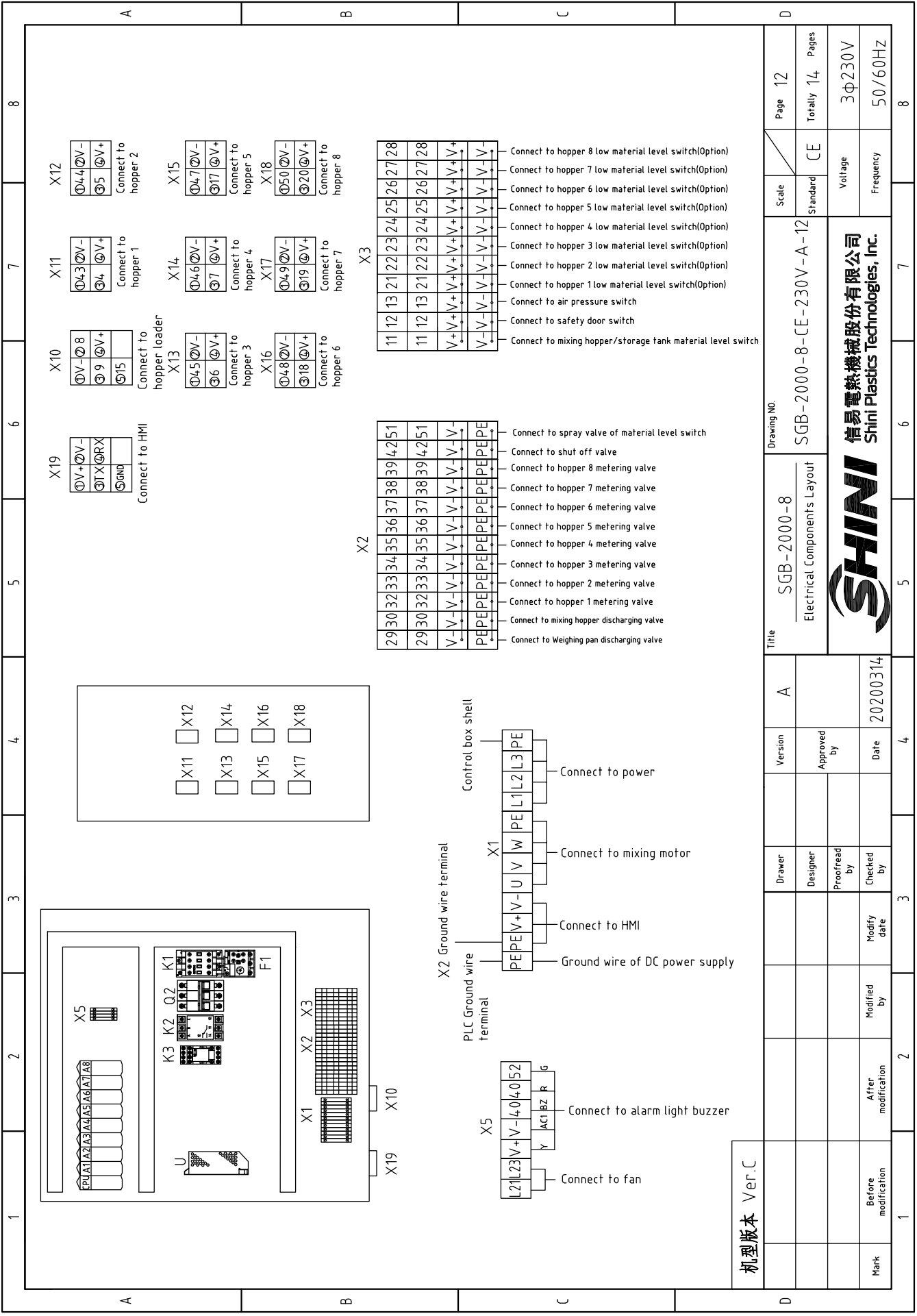
Title		SGB-2000-8		Drawing NO.		SGB-2000-8-CE-230V-A-10		Page		10	
Electrical Diagram 10		Standard		Standard		CE		Voltage		3Φ230V	
Frequency		Frequency		Frequency		Frequency		Voltage		50/60Hz	
SHINI		信易電熱機械股份有限公司		Shini Plastics Technologies, Inc.		SHINI		SHINI		SHINI	
A		S		6		7		8		8	



机型版本	Ver.C
Mark	Before modification
	After modification
	Modified by
	Modify date
	Checked by
	Proofread by
	Designer
	Drawer
Version	A
Approved by	
Date	20200314

Drawing NO.		SGB-2000-8-CE-230V-A-11		Page	11
Title		SGB-2000-8 Electrical Diagram 11		Standard	CE
Voltage		3Φ230V		Totally	
Frequency		50/60HZ		Pages	
SHINI		信易電熱機械股份有限公司 Shini Plastics Technologies, Inc.		8	





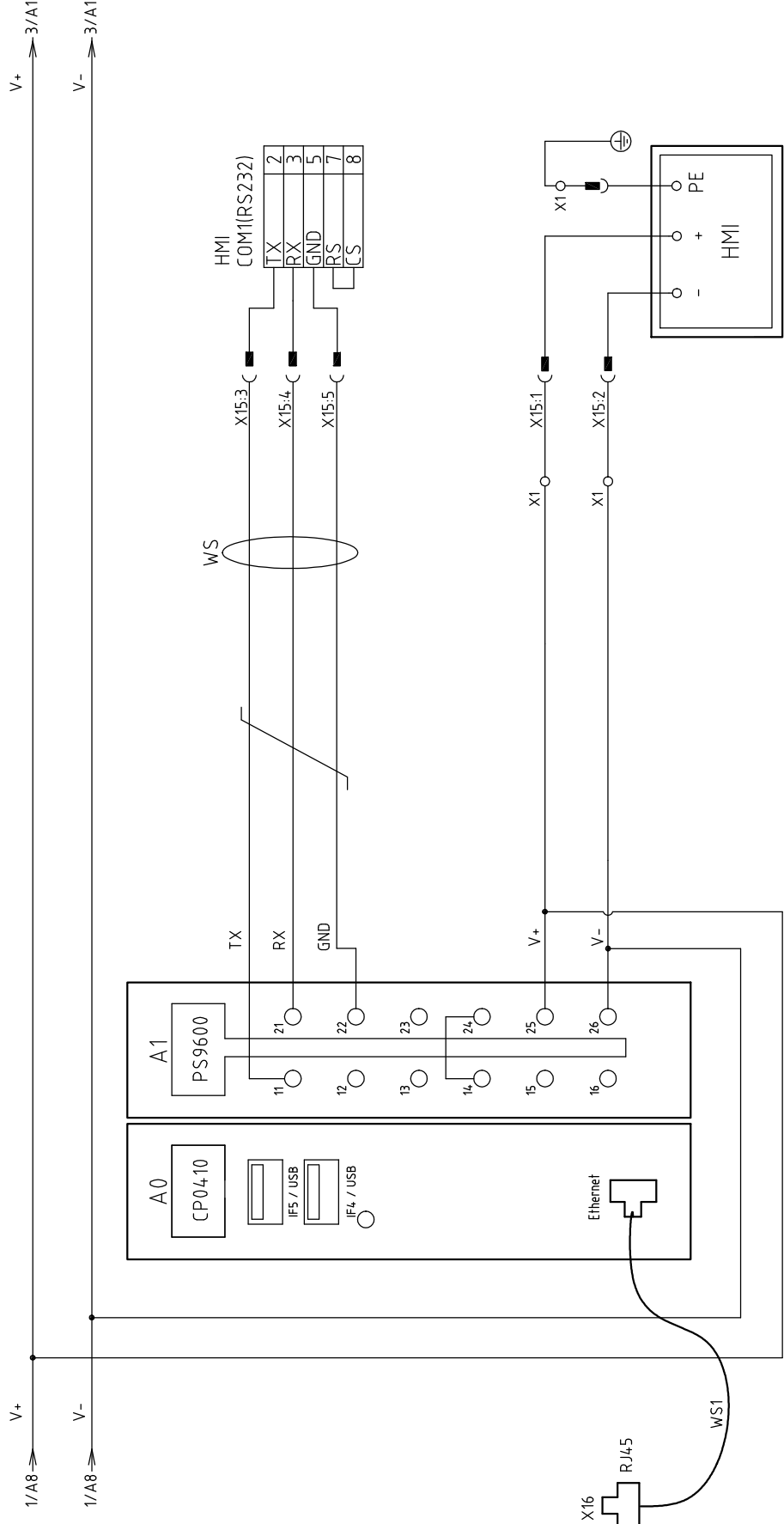
机型版本 Ver.C

D	Page	12	Scale	Standard	CE	Voltage	Frequency	3φ230V 50/60Hz	8
	Totally	14							
Title		SGB-2000-8		Drawing NO.		SGB-2000-8-CE-230V-A-12		8	
Version		A		Electrical Components Layout		SHINI		信易电热机械股份有限公司 Shini Plastics Technologies, Inc.	
Drawer	Designer	Proofread by	Checked by	Date	20200314	SHINI		8	
Modified by	Modified date	Approved by	Date	20200314	SHINI		8		
Mark	Before modification	After modification	Modified by	Modified date	20200314	SHINI		8	

1	2		3	4	5	6	7	8											
NO.	Symbol	Name	Manufacturer	Type	Specification	Number	Material number	Remark											
1	Q1	Main power switch	EATON	TO-2-1/EA/SVB	20A	1	YE10021160000												
2	Q2	Circuit-Breakers	TECO	BM-63C/ 3006S	6A	1	YE40603000000												
3	S3	Capacitive proximity switch	IFM	KI 5082	10~36VDC	1	----	(1)											
4	S7-S14	Capacitive proximity switch	IFM	KI 5082	10~36VDC	8	----	(1) (2)											
5	S5	Safety switch	SCHMERSRC	AZ152VK-1476	AC-15	1	----	(1)											
6	S6	Pressure switch	FOX	K4SA02	1~12KG	1	----	(1)											
7	K1	Contactors	SIEMENS	3RT6015-1AN21	230V 50/60Hz	1	YE00601521000												
8	K2	Phase sequence protector	CHAOSHI	ABJ-10W	400V	1	YE03103800000												
9	K3	Middle relay	WEIDMULLER	DRM270024LT	24VDC 12A	1	YE03272400000												
10	F1	Thermo-overload relay	SIEMENS	3RU6116-1DB0	2.2-3.2A	1	YE04160220000	Cancel											
11	F1	Thermo overload relay	SIEMENS	3RU6116-1EB0	2.8-4A	1	YE01160280000	New											
12	U	DC power	MEAN WELL	S-100-24	+24V 4.5A	1	YE71102400000												
13	CPU,A1,A2,A3 A4,A5,A6,A8 A10,A9	4-component gravimetric Controller	B&R	----	----	1	YE80024000100												
14	A7	Digital input mouldle	B&R	X20 DI2371	----	2	YE80237100000	(2)											
15		Terminal block	B&R	X20 TB12	----	2	YE80201100000	(2)											
16		Bus mouldle	B&R	X20 BM11	----	2	YE80200100000	(2)											
17	A7	Digital output mouldle	B&R	X20 DO6322	----	1	YE80632200000												
18		Terminal block	B&R	X20 TB12	----	1	YE80201100000												
19		Bus mouldle	B&R	X20 BM11	----	1	YE80200100000												
20	H1	3-color alarm lamp with buzzer	----	PK-27A	24VDC	1	BL90002401520												
21	HMI	Human-machine interface	SCHNEIDER	GXU3512	24VDC	1	YE80351200100												
22	BW1 BW2	Weighing sensor	ZHONGHANG	L6D-C3-50kg-2.4B	10VDC 2mV/V	2	----	(1)											
23	X1	Terminal	Honeywell	SK2.5	2.5mm <sup>2</sup>	8	YE60002503200												
24	X1	Terminal	Honeywell	GK2.5PE	2.5mm <sup>2</sup> PE	3	YE60002503400												
25	X2,X3	Terminal	Honeywell	SK2.5-TL	250V 2.5	24	YE60002503600												
机型号 Ver.C Note: (1) means not part of control box. (2) Optional low material level switch. (3)Optional shut off valve.																			
Mark				Before modification	Modified by	Modify date	Checked by	Proofread by	Designer	Drawer	Version	Title		Drawing NO.		Scale		Page	
											A	SGB-2000-8		SGB-2000-8-CE-230V-A-13		Standard		Page 13	
											Approved by	Electrical Components List 1		CE		Voltage		Totally 14 Pages	
											Date	SHINI		Frequency		3Φ230V		50/60Hz	
											20200314	信易电热机械股份有限公司 Shini Plastics Technologies, Inc.		Frequency		50/60Hz		8	



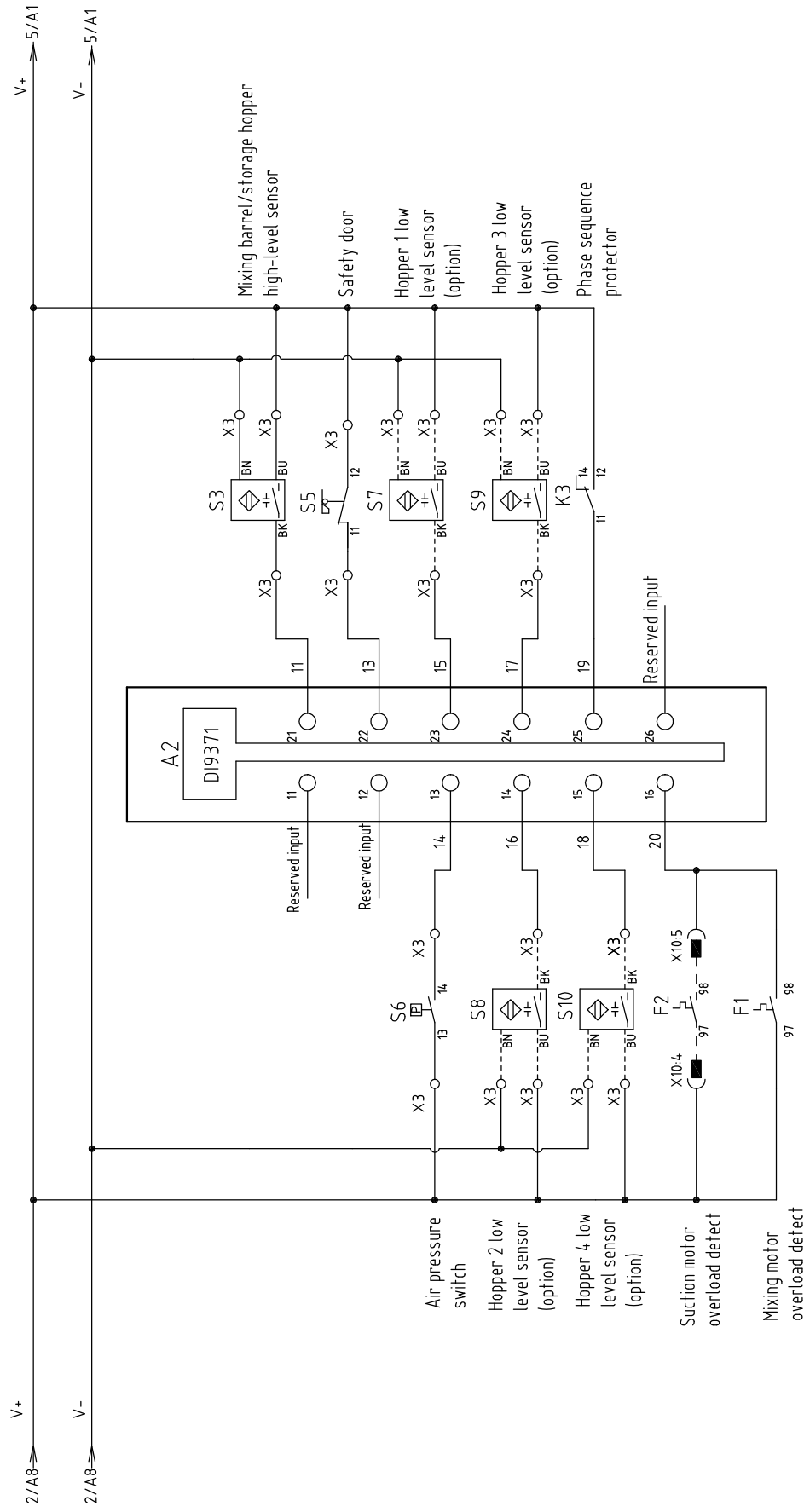




机型版本 Ver.C

Mark	Before modification	After modification	Modified by	Modify date	Checked by	Proofread by	Designer	Drawer	Version	F	Title	Drawing NO.		Scale	Page 2
	SGB-3000-4											SGB-3000-4-CE-230V-F-2			
Mark	Before modification	After modification	Modified by	Modify date	Checked by	Proofread by	Designer	Drawer	Version	F	Title	Electrical Principle 2		Voltage	
	SHINI											3φ230V			
Mark	Before modification	After modification	Modified by	Modify date	Checked by	Proofread by	Designer	Drawer	Version	F	Title	Frequency		50/60HZ	
	SHINI											50/60HZ			

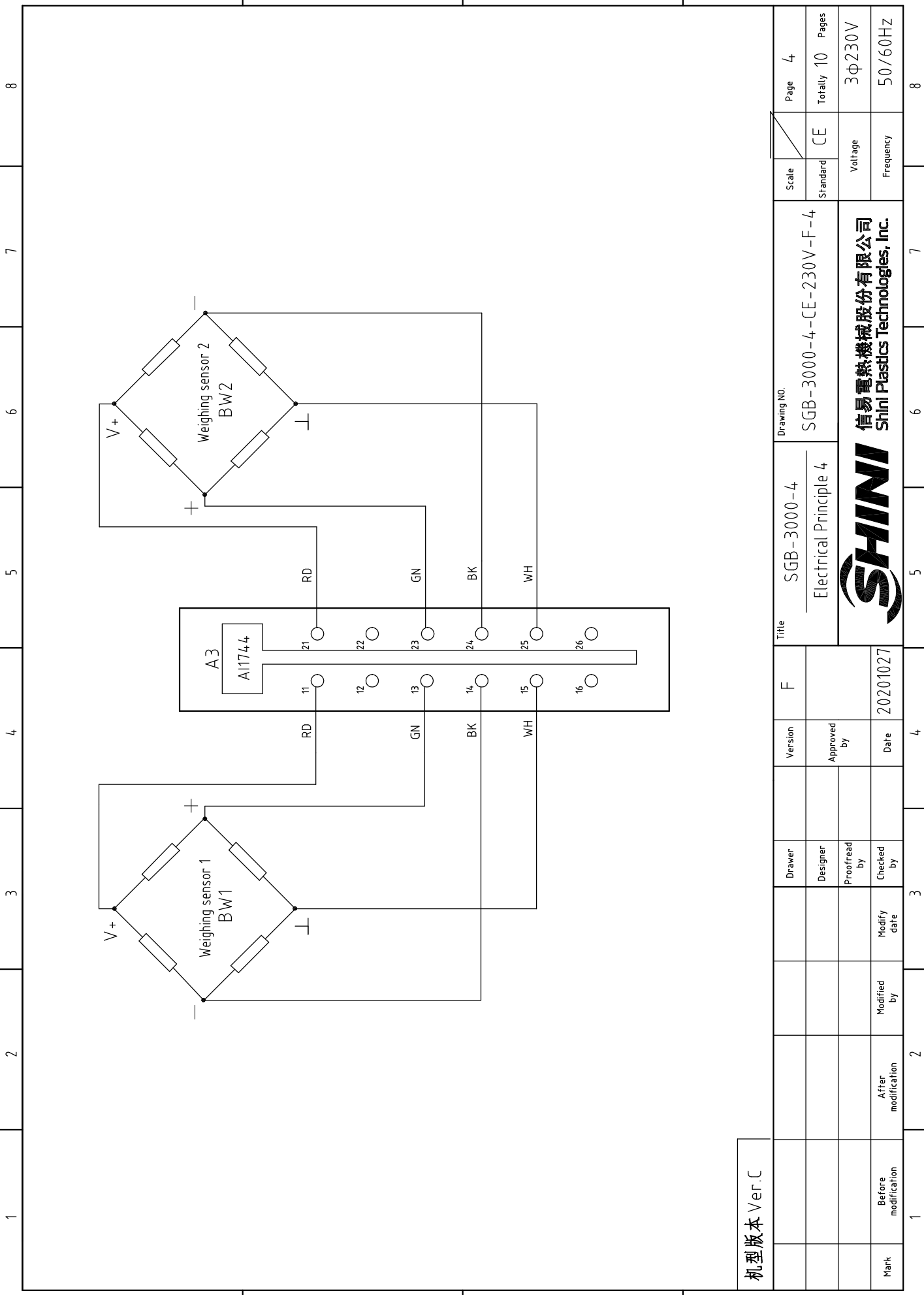
**SHINI**  
信易电热机械股份有限公司  
Shini Plastics Technologies, Inc.



机型版本 Ver.C

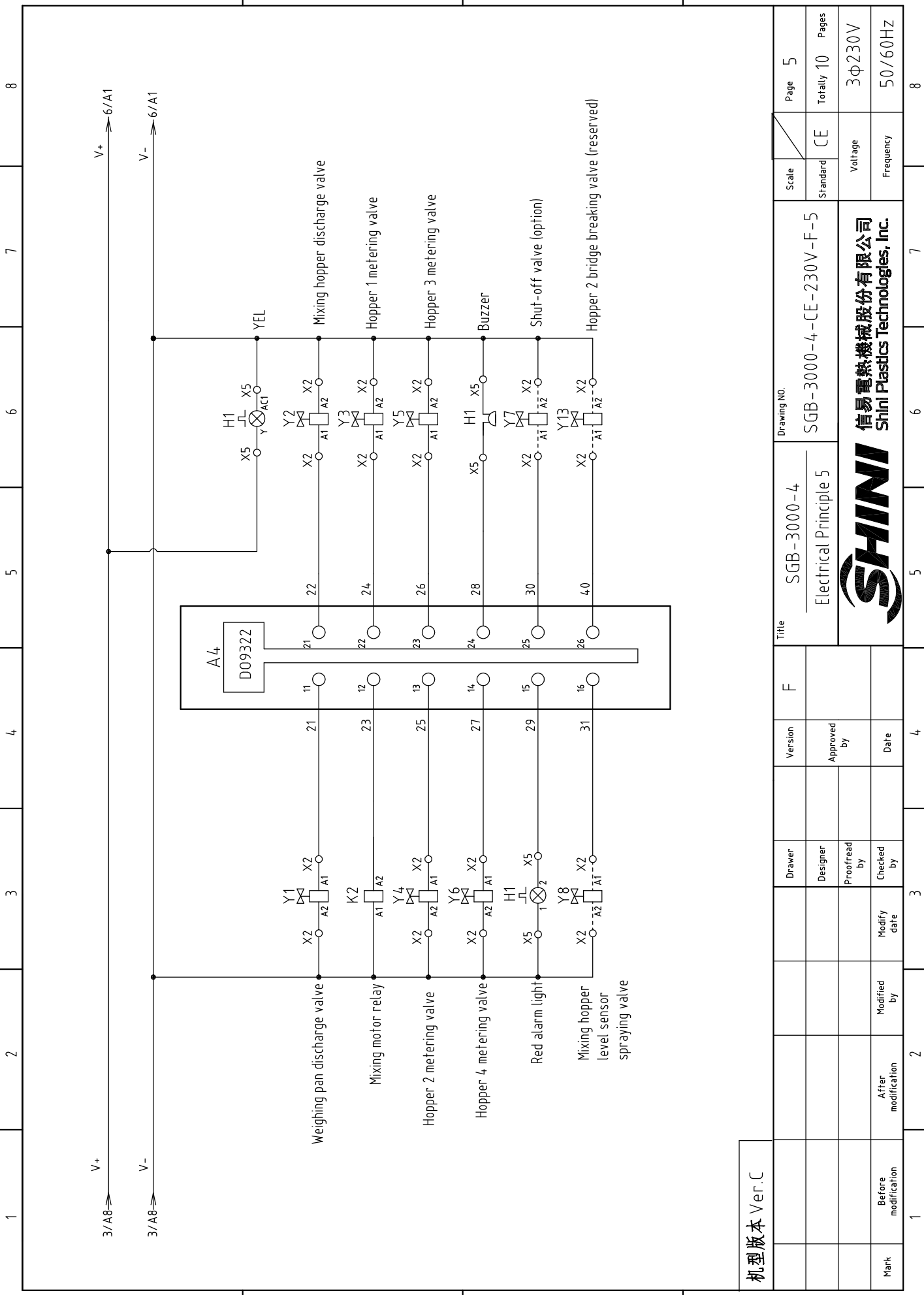
Mark	Before modification	Modified by	Modify date	Designer	Version	Title	Drawing NO.		Scale	Page 3	
	After modification	Checked by	Date				SGB-3000-4	Electrical Principle 3			Standard
							SGB-3000-4-CE-230V-F-3		Voltage		3Φ230V
									Frequency		50/60HZ
											8





机型版本 Ver.C	
Mark	Before modification
	After modification
	Modified by
	Modify date
Drawer	
Designer	
Proofread by	
Checked by	
Version	F
Title	
SGB-3000-4	
Electrical Principle 4	
Drawing NO.	
SGB-3000-4-CE-230V-F-4	
Scale	CE
Standard	
Voltage	3 $\phi$ 230V
Frequency	50/60HZ
Page	4
Totally	10
Pages	

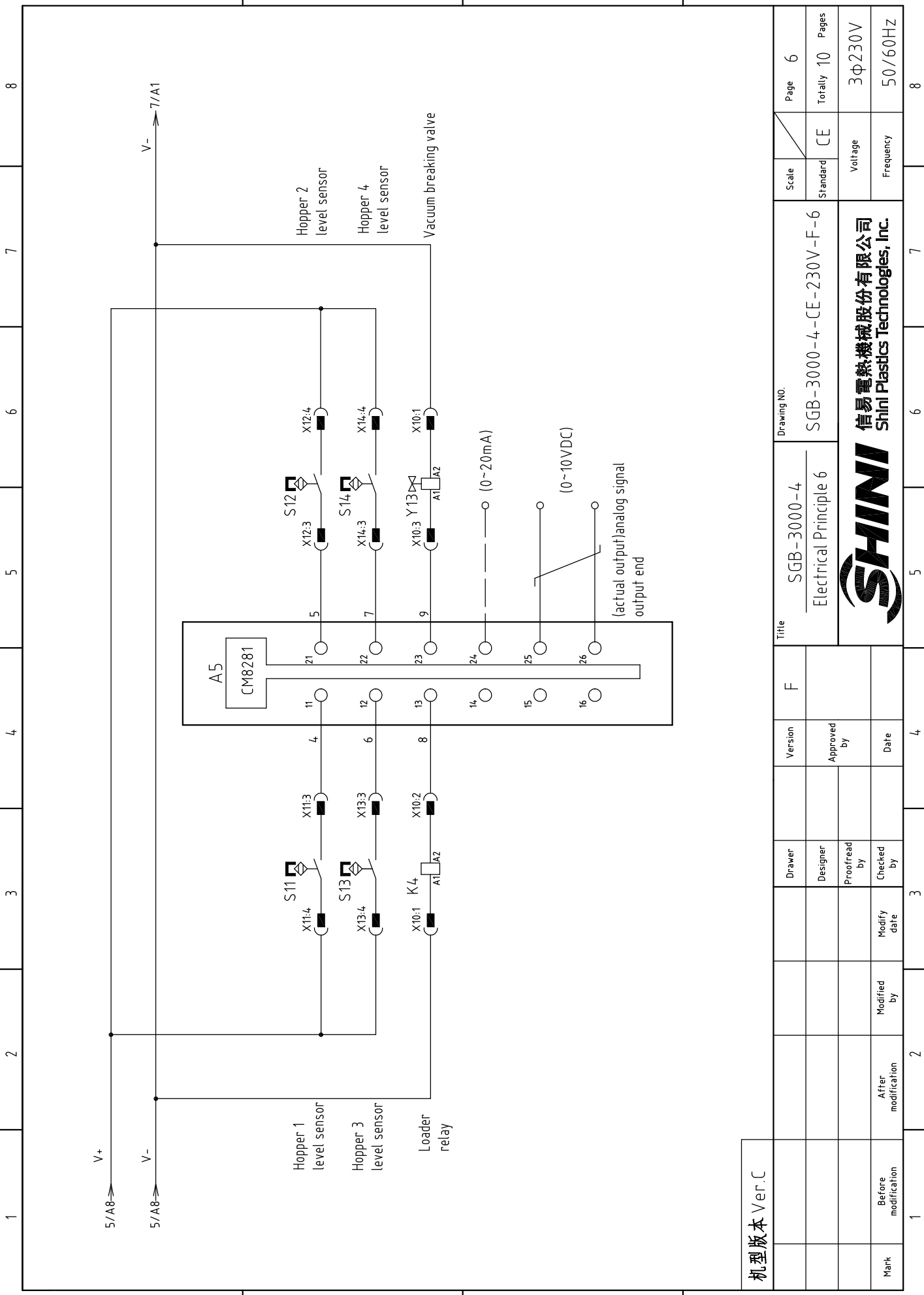




机型版本 Ver.C

1	2	3	4	5	6	7	8
Title		SGB-3000-4		Drawing NO.		Page 5	
Electrical Principle 5		SGB-3000-4-CE-230V-F-5		Standard		CE	
Version		F		Voltage		3Φ230V	
Approved by		Date		Frequency		50/60HZ	
Designer		Proofread by		Checked by		Modified by	
After modification		Modify date		Mark		Before modification	
1		2		3		4	
5		6		7		8	
Totally 10		Pages		Voltage		3Φ230V	
Standard		CE		Frequency		50/60HZ	
SHINI		信易熱機械股份有限公司		Shini Plastics Technologies, Inc.			



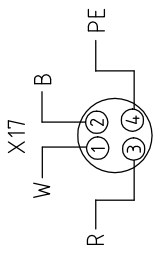
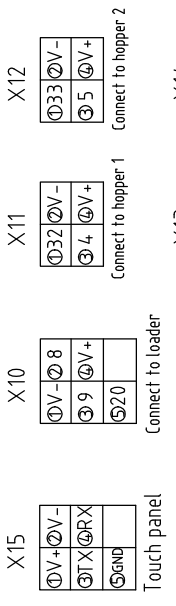
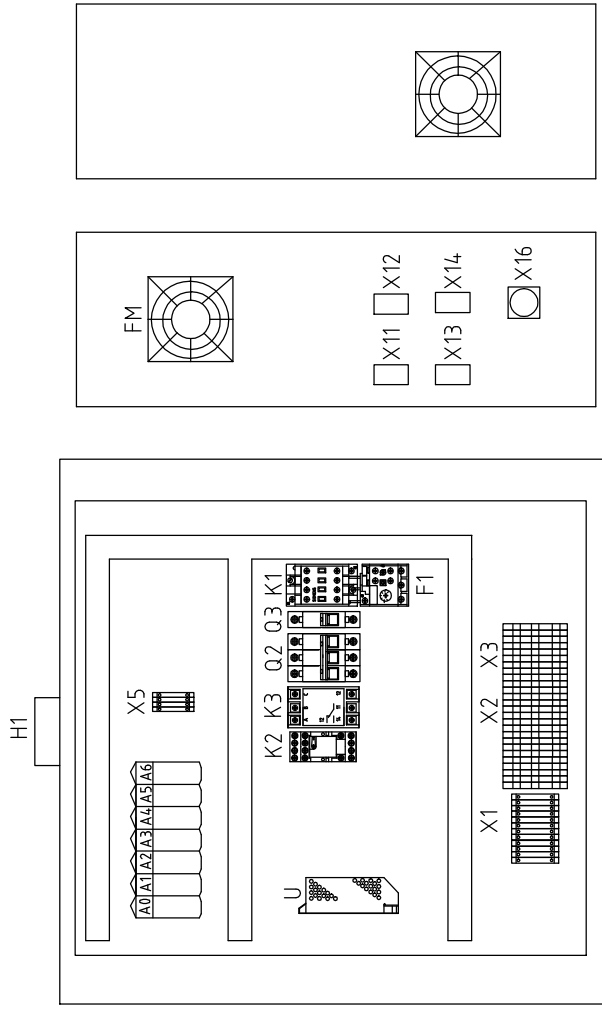


机型版本 Ver.C

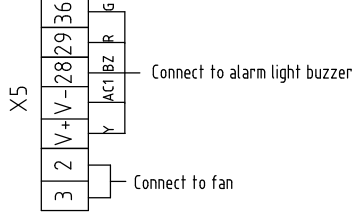
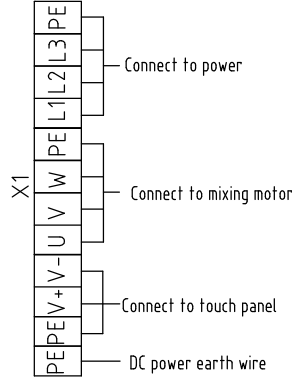
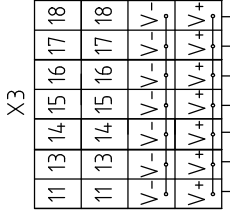
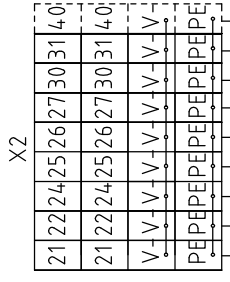
Mark	Before modification	After modification	Modified by	Modify date	Checked by	Proofread by	Designer	Drawer	Version	F	Title	Drawing NO.		Scale	Page	
											SGB-3000-4 Electrical Principle 6	SGB-3000-4-CE-230V-F-6		Standard	6	
														CE	Totally 10	
															Pages	
															3φ230V	
															50/60HZ	
1	2	3	4	5	6	7	8									8







接破架桥马达 (选配)



机型版本 Ver.C

Title	SGB-30000-4		Drawing NO.	SGB-3000-4-CE-230V-F-8		Scale	Page 8
	Elec. layout & Wiring Diagram			Standard CE	Totally 10		Pages
Drawer	Designer	Proofread by	Checked by	Modified by	Modify date	After modification	Before modification
Version	Approved by		Date			Voltage	3φ230V
F		4		3		Frequency	50/60Hz
Mark		1		2		8	

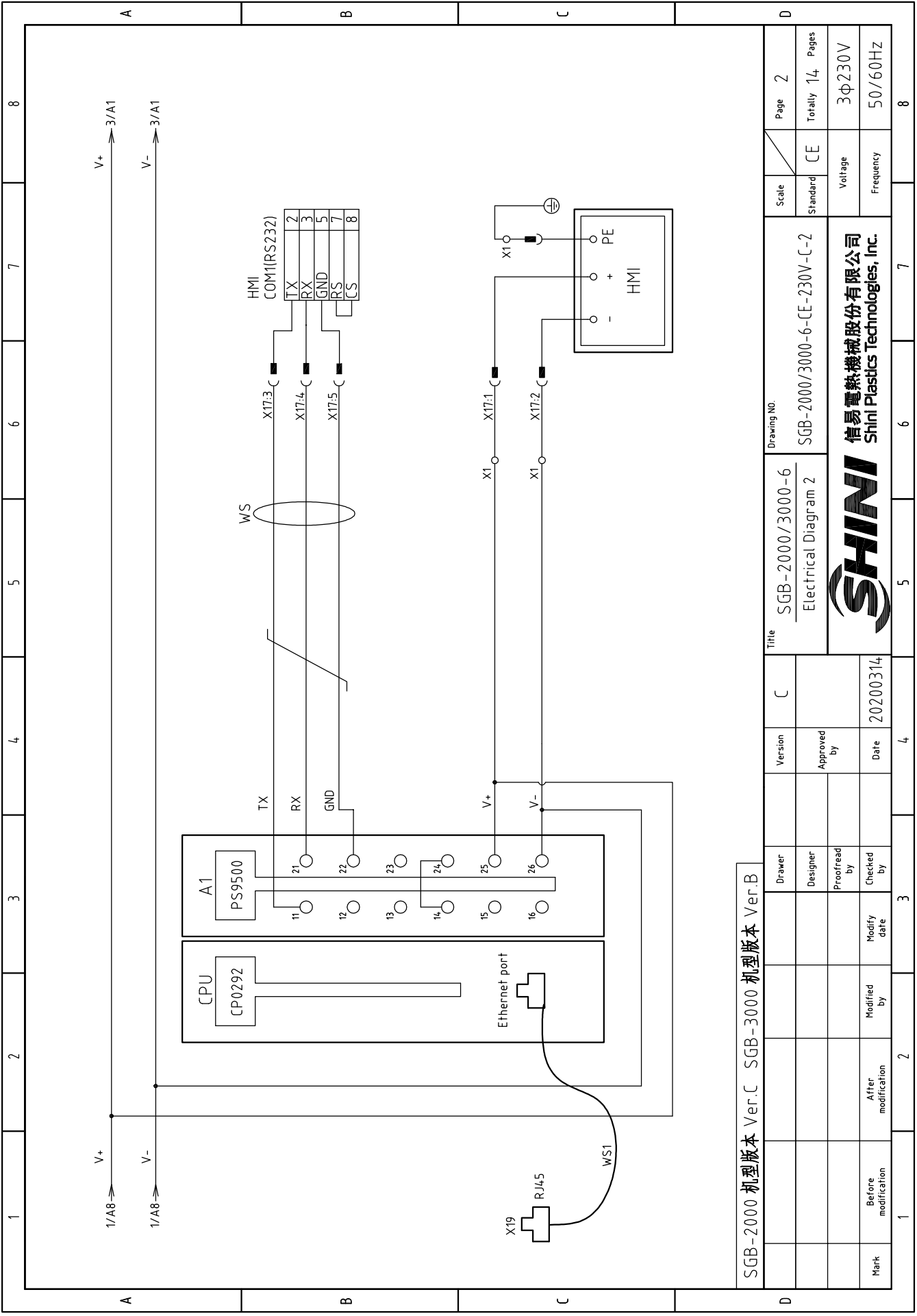


1	2		3		4	5	6		7	8	
NO.	Symbol	Name	Manufacturer	Type	Specification	Number	Material number	Remark			
1	Q1	Main power switch	EATON	TO-2-1/EA/SVB	20A	1	YE10021160000				
2	Q2	Circuit breakers	TECO	BM-63C 3P	6A	1	YE40300603000				
3	Q3	Circuit breaker	TECO	BM-63C	3A	1	YE40100203000				
4	S3	Capacitive proximity switch	IFM	KI 5082	10~36VDC	1	----	(1)			
5	S7~S10	Capacitive proximity switch	IFM	KI 5082	10~36VDC	4	----	(1) (2)			
6	S5	Safety switch	SCHMERSRC	AZ152VK-1476	AC-15	1	----	(1)			
7	S6	Pressure switch	FOX	K4SA02	1~12KG	1	----	(1)			
8	K1	Contactors	SIEMENS	3RT6015-1AN21	230V 50/60Hz	1	YE00601521000				
9	K2	Middle relay	WEIDMULLER	DRM270024LT	24VDC 12A	1	YE03272400000				
10	K3	Phase sequence relay	CHAOSHI	ABJ2-12W	400V	1	YE03103800000				
11	F1	Thermal overload relays	SIEMENS	3RU6116-1EB0	2.8-4A	1	YE01160280000				
12	U	DC power	MEAN WELL	S-100-24	+24V 4.5A	1	YE71102400000				
13	A0~A7	4组份称重料批控制柜/Controller	B&R	----	----	1	YE80024000100	Cancel			
14	A0	CPU/controller	B&R	X20 CP04.10	----	1	YE80041000200	New			
15		CPU base	B&R	X20 BB52	----	1	YE80041100300	New			
16	A1	Power module	B&R	X20 PS9600	----	1	YE80960000000	New			
17	A2	Input module	B&R	X20 DI9371	----	1	YE80937100000	New			
18	A3	Weighing module	B&R	X20 AI1744	----	1	YE80200000500	New			
19	A4	Output module	B&R	X20 DO9322	----	1	YE80209300000	New			
20	A5	Common module	B&R	X20 CM8281	----	1	YE80200000700	New			
21	A6	Output module	B&R	X20 DO6322	----	1	YE80632200000	New			
22		12 core terminal block	B&R	X20 TB12	----	6	YE80201100000	New			
23		I/O bus module	B&R	X20 BM11	----	5	YE80200100000	New			
24	HMI	Human-machine interface	SCHNEIDER	GXU3512	24VDC	1	YE80351200100				
25	H1	Three-color alarm Lamp with buzzer	SHINI	PK-27A	24VDC	1	BL90002401520				
机型版本 Ver.C											
Notes: (1) Materials not in the control box; (2) Optional low level sensor; (3) Optional bridge breaking valve; (4) Optional shut-off valve;											
Drawing NO. SGB-3000-4-CE-230V-F-9											
Scale Standard CE											
Page 9											
Voltage											
Frequency											
Totally 10 Pages											
3φ230V											
50/60Hz											
8											









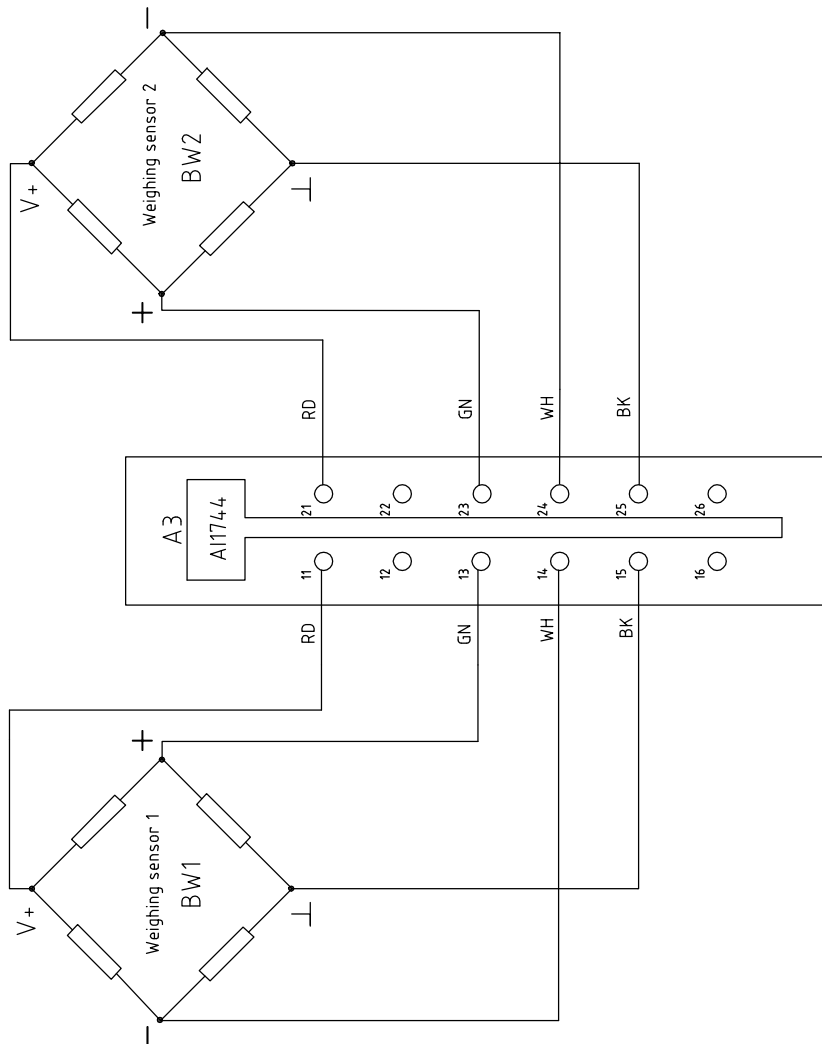
SGB-2000 机型版本 Ver.C SGB-3000 机型版本 Ver.B

1	2	3	4	5	6	7	8	
Title			Version		Scale		Page	
SGB-2000/3000-6			C		CE		2	
Electrical Diagram 2			Approved by		Standard		Totally 14	
SHINI			Date		Voltage		Pages	
信易电热机械股份有限公司 Shini Plastics Technologies, Inc.			20200314		3Φ230V		50/60HZ	
SGB-2000/3000-6-CE-230V-C-2			Checked by		Frequency		8	
Mark			Before modification		Frequency		8	
1			2		8		8	





1 2 3 4 5 6 7 8



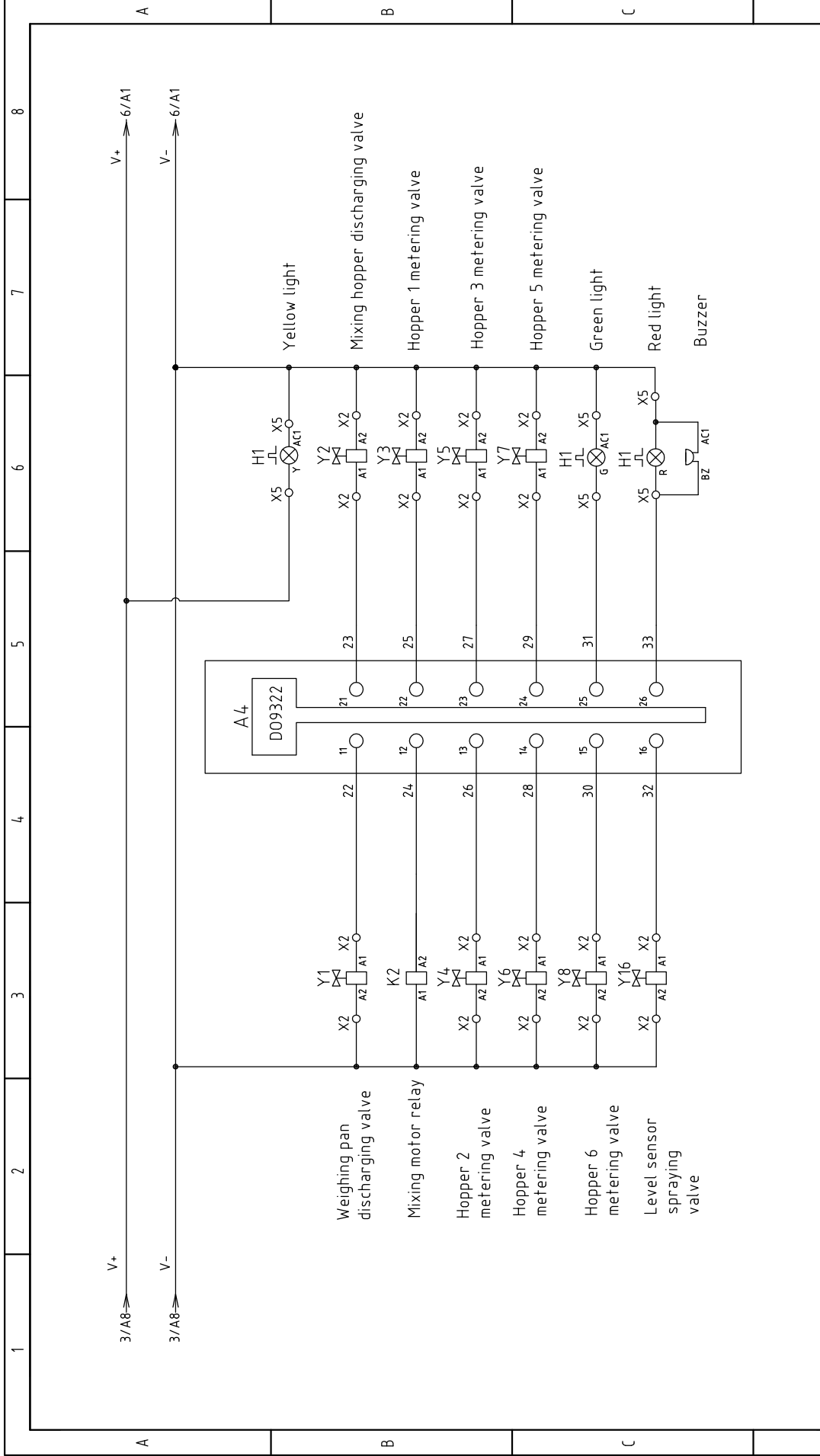
SGB-2000 机型版本 Ver.C SGB-3000 机型版本 Ver.B

Mark	Before modification	Modified by	Modify date	Checked by	Date	Version	C	Title	SGB-2000/3000-6 Electrical Diagram 4	Drawing NO.	SGB-2000/3000-6-CE-230V-C-4	Scale	CE	Page	4
	After modification				20200314	Approved by						Standard		Totally	14
														Voltage	3Φ230V
														Frequency	50/60HZ



信易电热机械股份有限公司  
Shini Plastics Technologies, Inc.

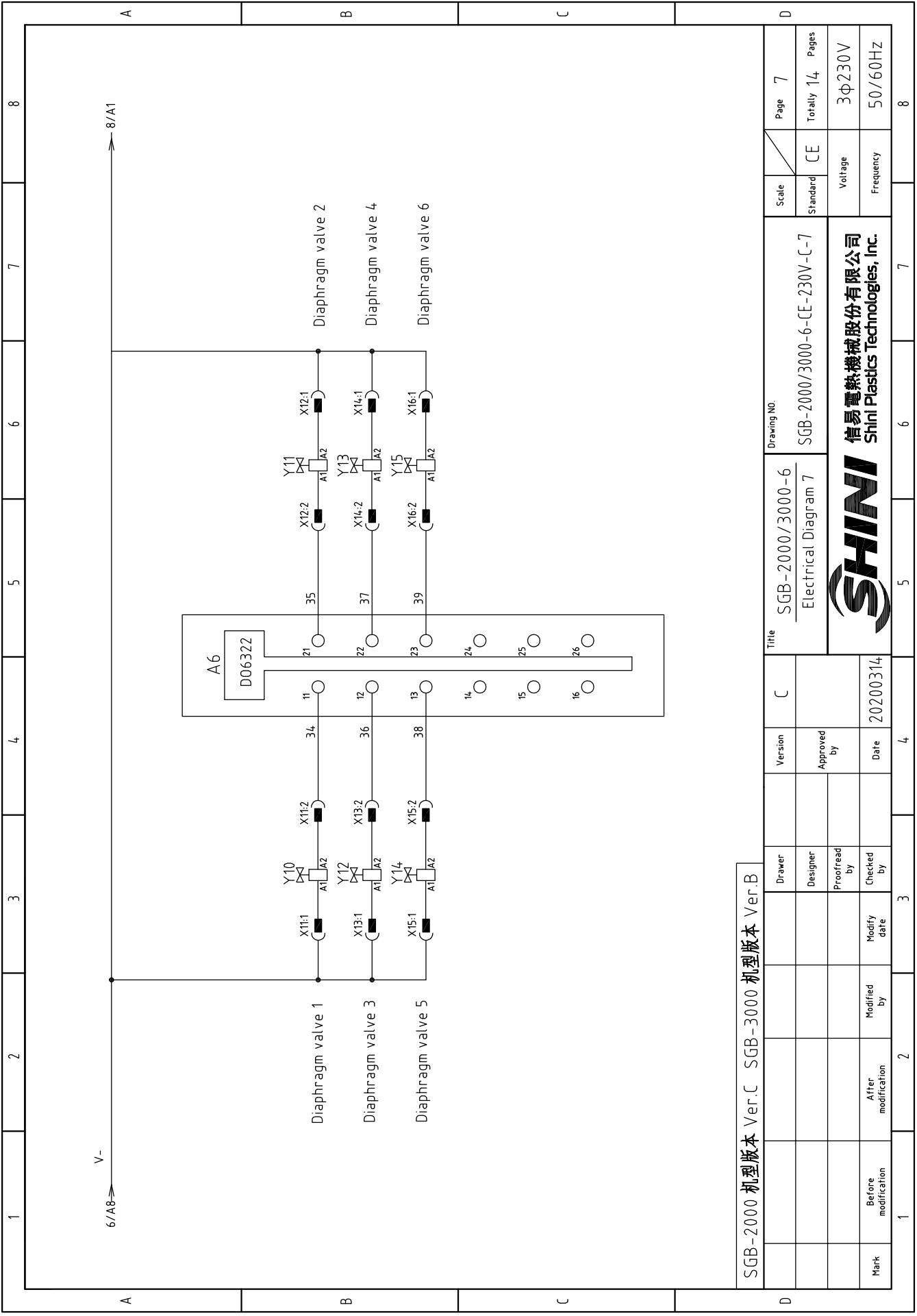
1 2 3 4 5 6 7 8



SGB-2000 机型版本 Ver.C SGB-3000 机型版本 Ver.B

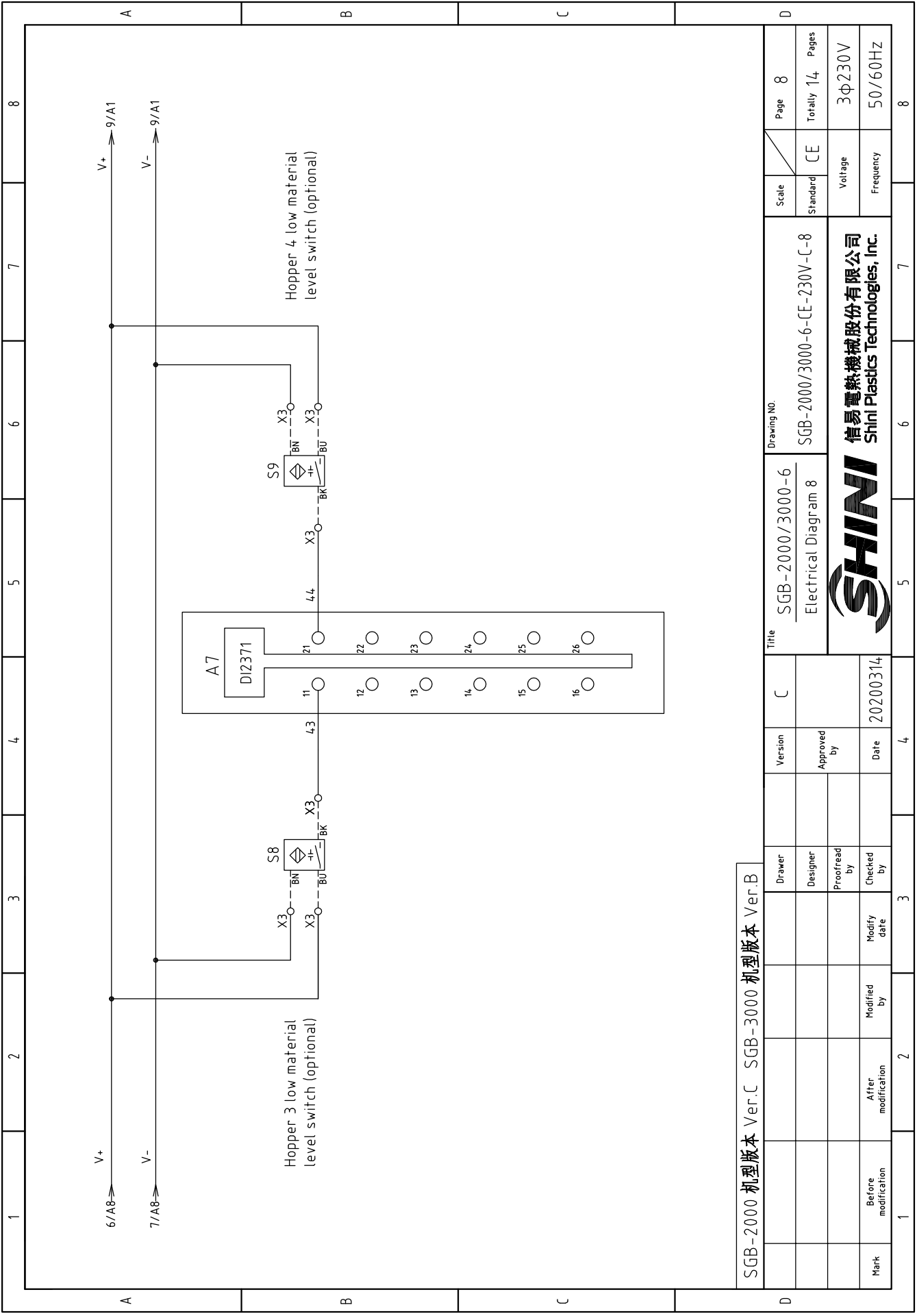
D	Title		SGB-2000/3000-6		Drawing NO.		SGB-2000/3000-6-CE-230V-C-5		Scale		Page 5	
	Version		C		Electrical Diagram 5		Standard		CE		Totally 14 Pages	
Mark	Before modification	After modification	Modified by	Modify date	Proofread by	Checked by	Date	SHINI		Voltage		3Φ230V
				20200314			20200314	信易电热机械股份有限公司 Shini Plastics Technologies, Inc.		Frequency		50/60HZ
1	2	3	4	5	6	7	8					8





SGB-2000 机型版本 Ver.C SGB-3000 机型版本 Ver.B

1	2	3	4	5	6	7	8
Title			Version		Scale		Page
SGB-2000/3000-6			C		Standard		7
Electrical Diagram 7			Approved by		CE		Totally 14
SHINI			Date		Voltage		3Φ230V
信易電熱機械股份有限公司 Shini Plastics Technologies, Inc.			20200314		Frequency		50/60HZ
Mark	Before modification	Modified by	Modify date	Checked by	Proofread by	Designer	Drawer

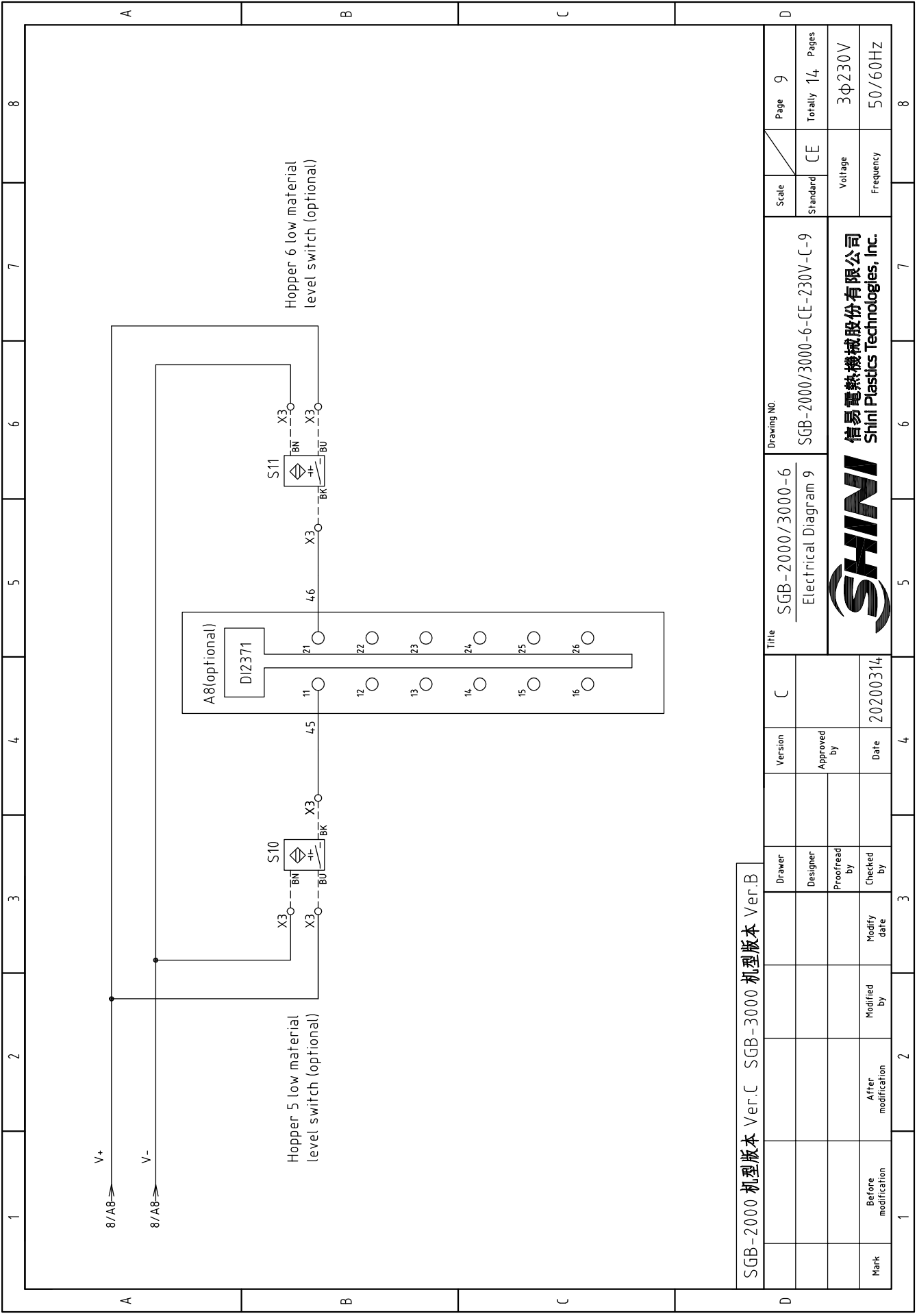


SGB-2000 机型版本 Ver.C SGB-3000 机型版本 Ver.B

Mark	Before modification	Modified by	Modify date	Checked by	Date	Version	C	Title	SGB-2000/3000-6 Electrical Diagram 8	Drawing NO.	SGB-2000/3000-6-CE-230V-C-8	Scale	CE	Page	8
	After modification				20200314	Approved by						Standard		Totally	14
														Voltage	3Φ230V
														Frequency	50/60HZ
															8



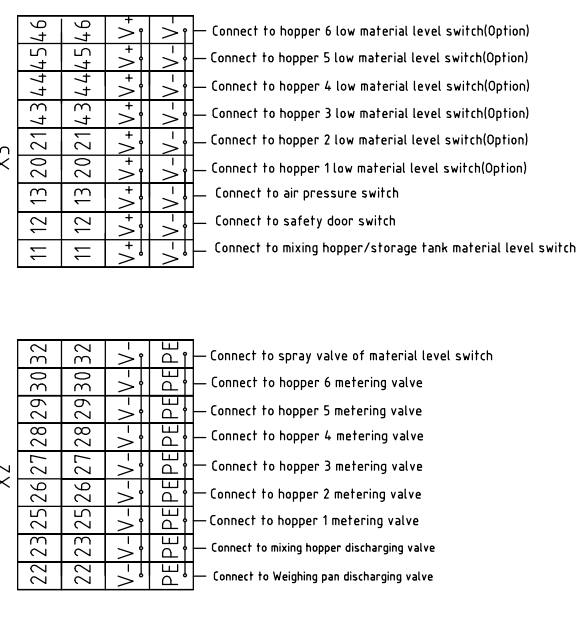
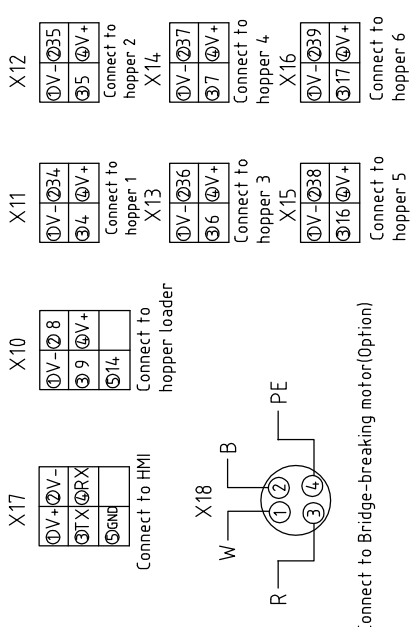
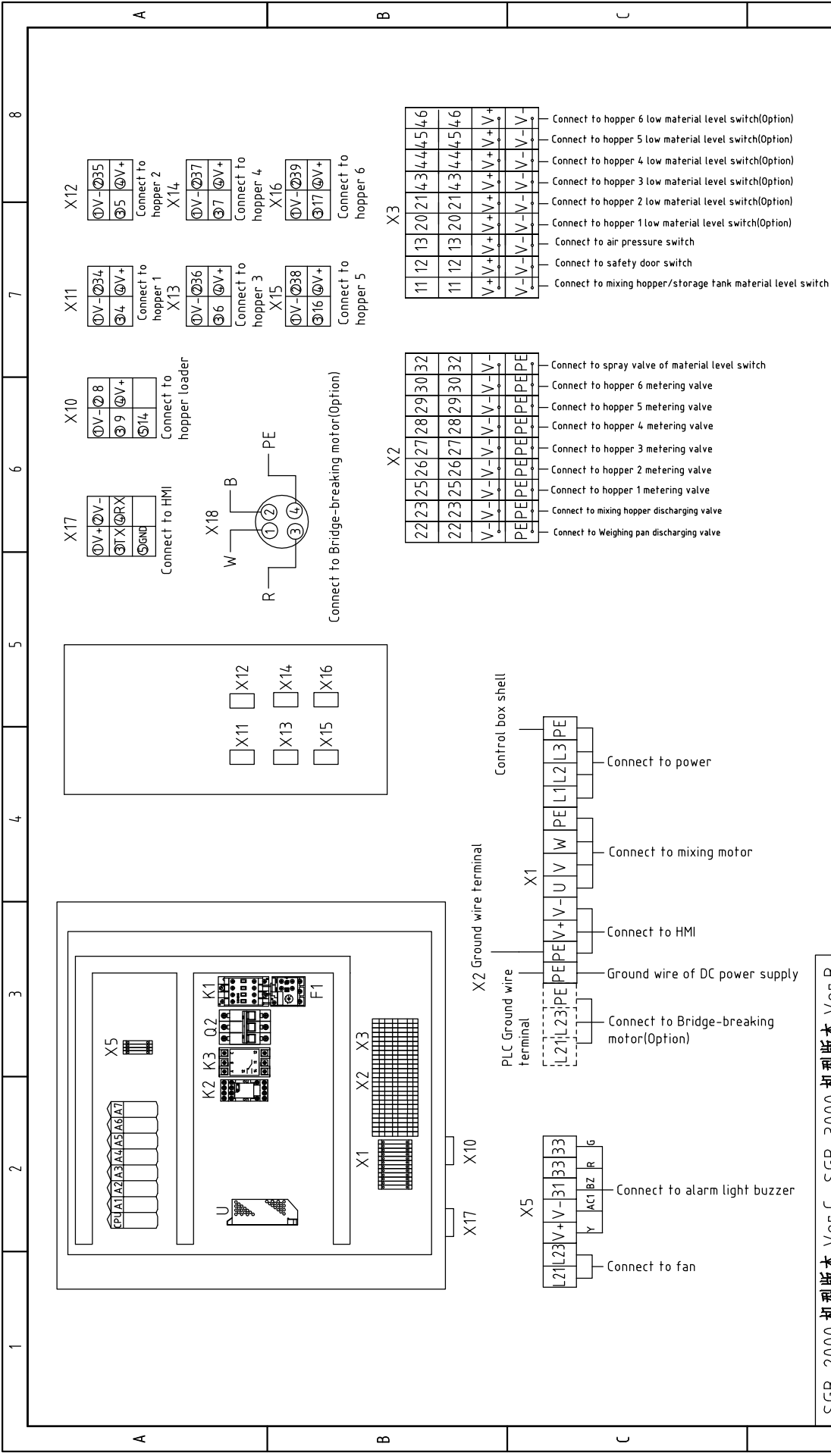
信易电热机械股份有限公司  
Shini Plastics Technologies, Inc.



SGB-2000 机型版本 Ver.C SGB-3000 机型版本 Ver.B

D	Drawing NO.		Scale		Page	
	SGB-2000/3000-6-CE-230V-C-9		CE		9	
Title			Standard		Voltage	
SGB-2000/3000-6 Electrical Diagram 9			CE		3Φ230V	
Version			Frequency		50/60HZ	
C			Approved by		8	
Approved by			Date		Totally	
20200314			20200314		14	
Mark			Modified by		Pages	
Before modification			After modification		3Φ230V	
1			2		50/60HZ	
3			4		8	
5			6		7	
8			9		10	





SGB-2000 机型版本 Ver.C SGB-3000 机型版本 Ver.B

D	Scale	Page	10
		Standard	CE
Title	Drawing NO.	SGB-2000/3000-6-CE-230V-C-10	
		Electrical Components Layout	
Version	Approved by	SGB-2000/3000-6	
		Electrical Components Layout	
Mark	After modification	Modified by	Date
Voltage	3Φ230V		
	Frequency	50/60HZ	
Page		10	
Totally		14	
Pages		14	

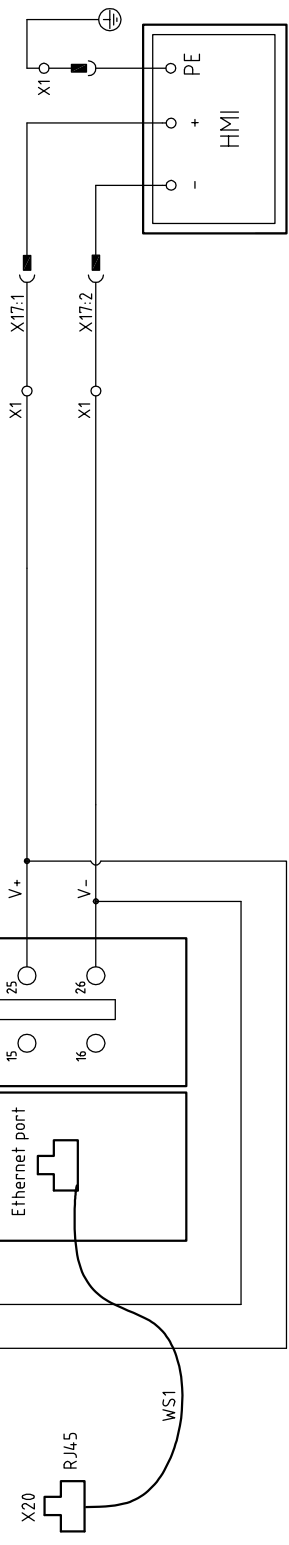
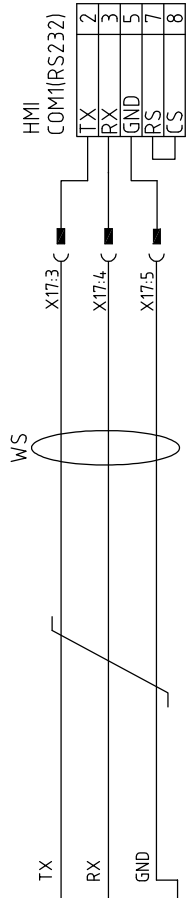
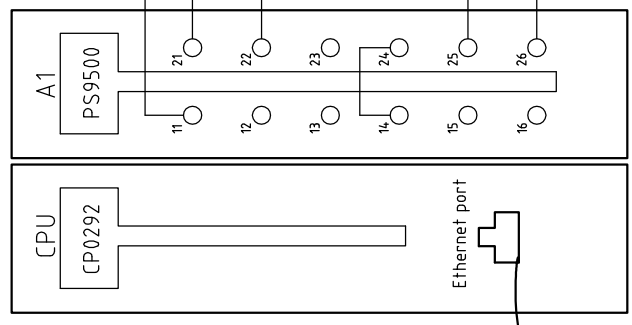
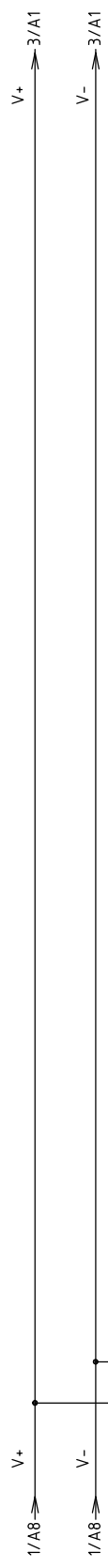


1	2		3	4	5	6	7	8
No.	Symbol	Name	Manufacturer	Type	Specification	Number	Material number	Remark
1	Q1	Main power switch	EATON	TO-2-1/EA/SVB	20A	1	YE10021160000	
2	Q2	Circuit-Breakers	TECO	BM-63C/ 3010S	10A	1	YE40301003000	
3	S3	Capacitive proximity switch	IFM	KI 5082	10~36VDC	1	----	(1)
4	S6-S11	Capacitive proximity switch	IFM	KI 5082	10~36VDC	6	----	(1) (2)
5	S4	Safety switch	SCHMERSRC	AZ152VK-14.76	AC-15	1	----	(1)
6	S5	Pressure switch	FOX	K4SA02	1~12KG	1	----	(1)
7	K1	Contactors	SIEMENS	3RT6016-1AN21	230V 50/60Hz	1	YE00601621000	
8	K3	Phase sequence protector	CHAOSHI	ABJ-10W	230V	1	YE03103800000	
9	K2	Middle relay	WEIDMULLER	DRM270024LT	24VDC 12A	1	YE03272400000	
10	F1	Thermo-overload-relay	SIEMENS	3RU6116-1GB0	4.5-6.32A	1	YE01160450000	Cancel
11	F1	Thermo overload relay	SIEMENS	3RU6116-1EB0	2.8-4A	1	YE01160280000	New
12	U	DC power	MEAN WELL	S-100-24	+24V 4.5A	1	YE71102400000	
13	CPU,A1~A7	4-component gravimetric Controller	B&R	----	----	1	YE80024000100	
14	A8	Digital input mouldle	B&R	X20 DI2371	----	1	YE80237100000	(2)
15		Terminal block	B&R	X20 TB12	----	1	YE80201100000	(2)
16		Bus mouldle	B&R	X20 BM11	----	1	YE80200100000	(2)
17	HMI	Human-machine interface	SCHNEIDER	GXU3512	24VDC	1	YE80351200100	
18	H1	3-color alarm lamp with buzzer	----	PK-27A	24VDC	1	BL90242201520	
19	BW1BW2	Weighing sensor	VISHAY	50KG	10VDC 2mV/V	2	----	(1)
20	X1	Terminal	Honeywell	SK2.5	2.5mm <sup>2</sup>	8	YE60002503200	
21	X1	Terminal	Honeywell	GK2.5PE	2.5mm <sup>2</sup> PE	4	YE60002503400	
22	X1	Terminal	Honeywell	SK2.5	2.5mm <sup>2</sup>	2	YE60002503200	(3)
23	X1	Terminal	Honeywell	GK2.5PE	2.5mm <sup>2</sup> PE	1	YE60002503400	(3)
24	X2,X3	Terminal	Honeywell	SK2.5-TL	250V 2.5	16	YE60002503600	
25	X5	Terminal	Honeywell	SK2.5	2.5mm <sup>2</sup>	7	YE61250040000	
<b>机型版本 Ver.B</b>								
Note: (1) means not part of control box. (2) Optional low material level switch. (3)Optional Bridge-breaking motor.								
			Drawer	Version	Title	Scale		Page
			Designer	C	SGB-3000-6	Standard		13
			Proofread by	Approved by	Electrical Components List 1	CE		Totally 14 Pages
			Checked by	Date	SGB-3000-6-CE-230V-C-13			3Φ230V
Mark	Before modification	After modification	Modified by	Modify date	Voltage			Frequency
1				20200314	Frequency			50/60HZ
					<b>SHINI</b>		信易电热机械股份有限公司 Shini Plastics Technologies, Inc.	
					SHINI		SHINI	



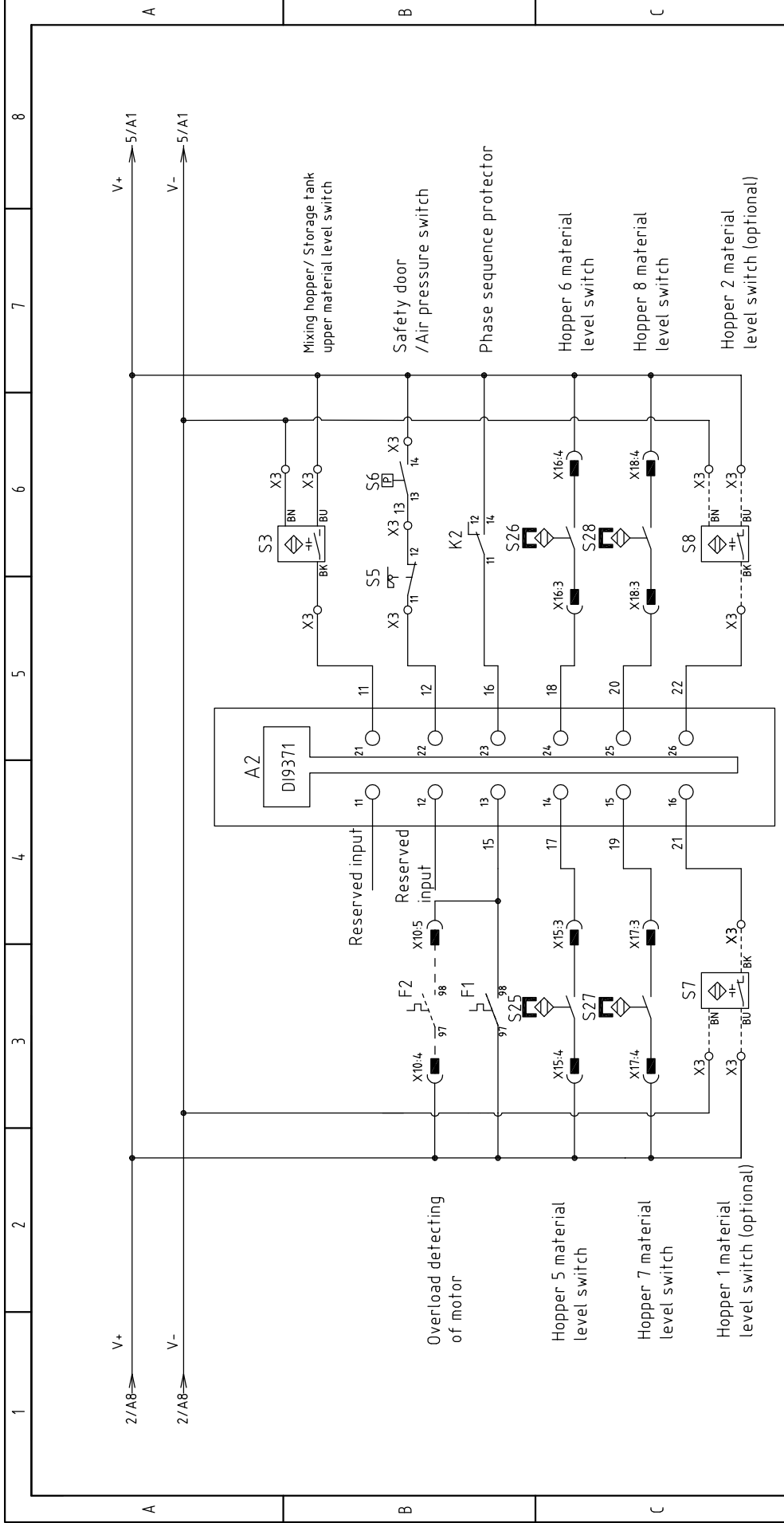






机型版本 Ver.B

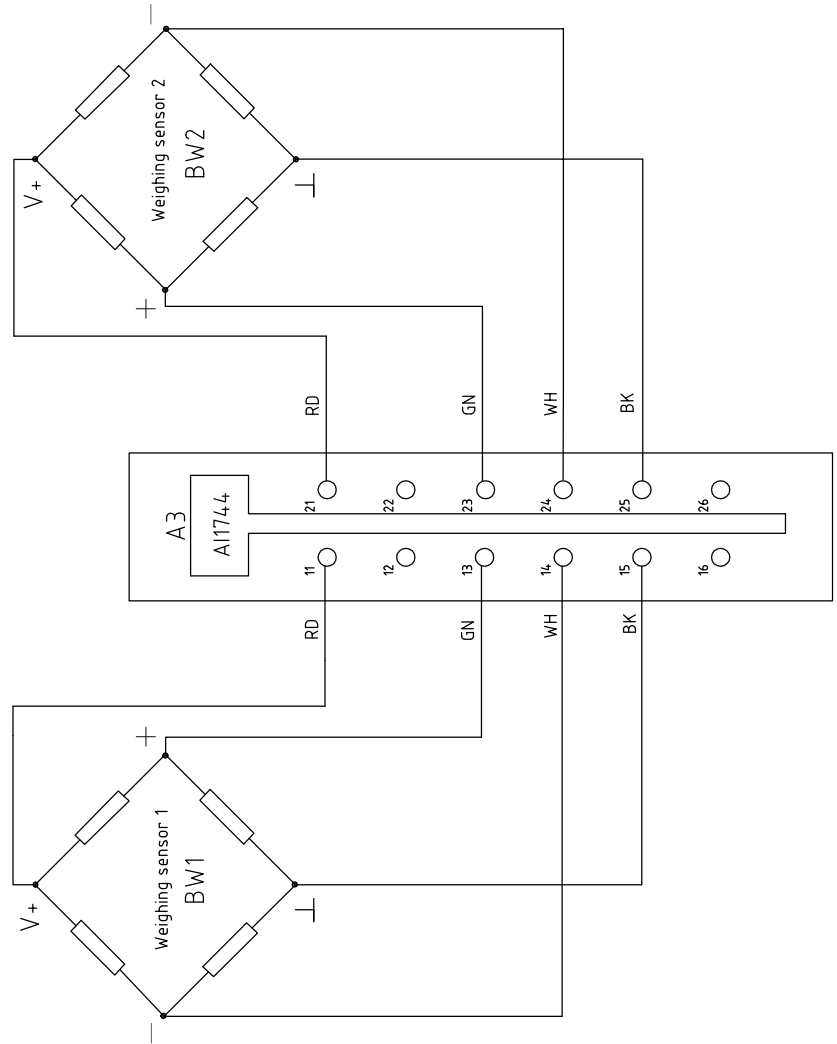
Title		SGB-3000-8		Drawing NO.		SGB-3000-8-CE-230V-A-2		Scale		Page 2	
Version		A		Electrical Diagram 2		Standard		CE		Totally 14 Pages	
Approved by				SHINI		Voltage		3Φ230V		Frequency	
Date		20200314		SHINI		Frequency		50/60Hz			
Mark		Before modification		SHINI		Voltage		3Φ230V		Frequency	
Modified by				SHINI		Frequency		50/60Hz			
Modify date				SHINI							
Checked by				SHINI							
Proofread by				SHINI							
Designer				SHINI							
Drawer				SHINI							




机型版本 Ver.B

1	2	3	4	5	6	7	8
A		B		C		D	
V+		V-		5/A1		5/A1	
2/A8		2/A8		5/A1		5/A1	
A		B		C		D	
V+		V-		5/A1		5/A1	
2/A8		2/A8		5/A1		5/A1	
A		B		C		D	
V+		V-		5/A1		5/A1	
2/A8		2/A8		5/A1		5/A1	
A		B		C		D	
V+		V-		5/A1		5/A1	
2/A8		2/A8		5/A1		5/A1	
A		B		C		D	
V+		V-		5/A1		5/A1	
2/A8		2/A8		5/A1		5/A1	
A		B		C		D	
V+		V-		5/A1		5/A1	
2/A8		2/A8		5/A1		5/A1	
A		B		C		D	
V+		V-		5/A1		5/A1	
2/A8		2/A8		5/A1		5/A1	
A		B		C		D	
V+		V-		5/A1		5/A1	
2/A8		2/A8		5/A1		5/A1	
A		B		C		D	
V+		V-		5/A1		5/A1	
2/A8		2/A8		5/A1		5/A1	
A		B		C		D	
V+		V-		5/A1		5/A1	
2/A8		2/A8		5/A1		5/A1	
A		B		C		D	
V+		V-		5/A1		5/A1	
2/A8		2/A8		5/A1		5/A1	
A		B		C		D	
V+		V-		5/A1		5/A1	
2/A8		2/A8		5/A1		5/A1	
A		B		C		D	
V+		V-		5/A1		5/A1	
2/A8		2/A8		5/A1		5/A1	
A		B		C		D	
V+		V-		5/A1		5/A1	
2/A8		2/A8		5/A1		5/A1	
A		B		C		D	
V+		V-		5/A1		5/A1	
2/A8		2/A8		5/A1		5/A1	
A		B		C		D	
V+		V-		5/A1		5/A1	
2/A8		2/A8		5/A1		5/A1	
A		B		C		D	
V+		V-		5/A1		5/A1	
2/A8		2/A8		5/A1		5/A1	
A		B		C		D	
V+		V-		5/A1		5/A1	
2/A8		2/A8		5/A1		5/A1	
A		B		C		D	
V+		V-		5/A1		5/A1	
2/A8		2/A8		5/A1		5/A1	
A		B		C		D	
V+		V-		5/A1		5/A1	
2/A8		2/A8		5/A1		5/A1	
A		B		C		D	
V+		V-		5/A1		5/A1	
2/A8		2/A8		5/A1		5/A1	
A		B		C		D	
V+		V-		5/A1		5/A1	
2/A8		2/A8		5/A1		5/A1	
A		B		C		D	
V+		V-		5/A1		5/A1	
2/A8		2/A8		5/A1		5/A1	
A		B		C		D	
V+		V-		5/A1		5/A1	
2/A8		2/A8		5/A1		5/A1	
A		B		C		D	
V+		V-		5/A1		5/A1	
2/A8		2/A8		5/A1		5/A1	
A		B		C		D	
V+		V-		5/A1		5/A1	
2/A8		2/A8		5/A1		5/A1	
A		B		C		D	
V+		V-		5/A1		5/A1	
2/A8		2/A8		5/A1		5/A1	
A		B		C		D	
V+		V-		5/A1		5/A1	
2/A8		2/A8		5/A1		5/A1	
A		B		C		D	
V+		V-		5/A1		5/A1	
2/A8		2/A8		5/A1		5/A1	
A		B		C		D	
V+		V-		5/A1		5/A1	
2/A8		2/A8		5/A1		5/A1	
A		B		C		D	
V+		V-		5/A1		5/A1	
2/A8		2/A8		5/A1		5/A1	
A		B		C		D	
V+		V-		5/A1		5/A1	
2/A8		2/A8		5/A1		5/A1	
A		B		C		D	
V+		V-		5/A1		5/A1	
2/A8		2/A8		5/A1		5/A1	
A		B		C		D	
V+		V-		5/A1		5/A1	
2/A8		2/A8		5/A1		5/A1	
A		B		C		D	
V+		V-		5/A1		5/A1	
2/A8		2/A8		5/A1		5/A1	
A		B		C		D	
V+		V-		5/A1		5/A1	
2/A8		2/A8		5/A1		5/A1	
A		B		C		D	
V+		V-		5/A1		5/A1	
2/A8		2/A8		5/A1		5/A1	
A		B		C		D	
V+		V-		5/A1		5/A1	
2/A8		2/A8		5/A1		5/A1	
A		B		C		D	
V+		V-		5/A1		5/A1	
2/A8		2/A8		5/A1		5/A1	
A		B		C		D	
V+		V-		5/A1		5/A1	
2/A8		2/A8		5/A1		5/A1	
A		B		C		D	
V+		V-		5/A1		5/A1	
2/A8		2/A8		5/A1		5/A1	
A		B		C		D	
V+		V-		5/A1		5/A1	
2/A8		2/A8		5/A1		5/A1	
A		B		C		D	
V+		V-		5/A1		5/A1	
2/A8		2/A8		5/A1		5/A1	
A		B		C		D	
V+		V-		5/A1		5/A1	
2/A8		2/A8		5/A1		5/A1	
A		B		C		D	
V+		V-		5/A1		5/A1	
2/A8		2/A8		5/A1		5/A1	
A		B		C		D	
V+		V-		5/A1		5/A1	
2/A8		2/A8		5/A1		5/A1	
A		B		C		D	
V+		V-		5/A1		5/A1	
2/A8		2/A8		5/A1		5/A1	
A		B		C		D	
V+		V-		5/A1		5/A1	
2/A8		2/A8		5/A1		5/A1	
A		B		C		D	
V+		V-		5/A1		5/A1	
2/A8		2/A8		5/A1		5/A1	
A		B		C		D	
V+		V-		5/A1		5/A1	
2/A8		2/A8		5/A1		5/A1	
A		B		C		D	
V+		V-		5/A1		5/A1	
2/A8		2/A8		5/A1		5/A1	
A		B		C		D	
V+		V-		5/A1		5/A1	
2/A8		2/A8		5/A1		5/A1	
A		B		C		D	
V+		V-		5/A1		5/A1	
2/A8		2/A8		5/A1		5/A1	
A		B		C		D	
V+		V-		5/A1		5/A1	
2/A8		2/A8		5/A1		5/A1	
A		B		C		D	
V+		V-		5/A1		5/A1	
2/A8		2/A8		5/A1		5/A1	
A		B		C		D	
V+		V-		5/A1		5/A1	
2/A8		2/A8		5/A1		5/A1	
A		B		C		D	
V+		V-		5/A1		5/A1	
2/A8		2/A8		5/A1		5/A1	
A		B		C		D	
V+		V-		5/A1		5/A1	
2/A8		2/A8		5/A1		5/A1	
A		B		C		D	
V+		V-		5/A1		5/A1	
2/A8		2/A8		5/A1		5/A1	
A		B		C		D	
V+		V-		5/A1		5/A1	
2/A8		2/A8		5/A1		5/A1	
A		B		C		D	
V+		V-		5/A1		5/A1	
2/A8		2/A8		5/A1		5/A1	
A		B		C		D	
V+		V-		5/A1		5/A1	
2/A8		2/A8		5/A1		5/A1	
A		B		C		D	
V+		V-		5/A1		5/A1	
2/A8		2/A8		5/A1		5/A1	
A		B		C		D	
V+		V-		5/A1		5/A1	
2/A8		2/A8		5/A1		5/A1	
A		B		C		D	
V+		V-		5/A1		5/A1	
2/A8		2/A8		5/A1		5/A1	
A		B		C		D	
V+		V-		5/A1		5/A1	
2/A8		2/A8		5/A1		5/A1	
A		B		C		D	
V+		V-		5/A1		5/A1	
2/A8		2/A8		5/A1		5/A1	
A		B		C		D	
V+		V-		5/A1		5/A1	
2/A8		2/A8		5/A1		5/A1	
A		B		C		D	
V+		V-		5/A1		5/A1	
2/A8		2/A8		5/A1		5/A1	
A		B		C		D	
V+		V-		5/A1		5/A1	
2/A8		2/A8		5/A1		5/A1	
A		B		C		D	
V+		V-		5/A1		5/A1	
2/A8		2/A8		5/A1		5/A1	
A		B		C		D	
V+		V-		5/A1		5/A1	
2/A8		2/A8		5/A1		5/A1	
A		B		C		D	
V+		V-		5/A1		5/A1	
2/A8		2/A8		5/A1		5/A1	
A		B		C		D	
V+		V-		5/A1		5/A1	
2/A8		2/A8		5/A1		5/A1	
A		B		C		D	
V+		V-		5/A1		5/A1	
2/A8		2/A8		5/A1		5/A1	
A		B		C		D	
V+		V-		5/A1		5/A1	
2/A8		2/A8		5/A1		5/A1	
A		B		C		D	
V+		V-		5/A1		5/A1	

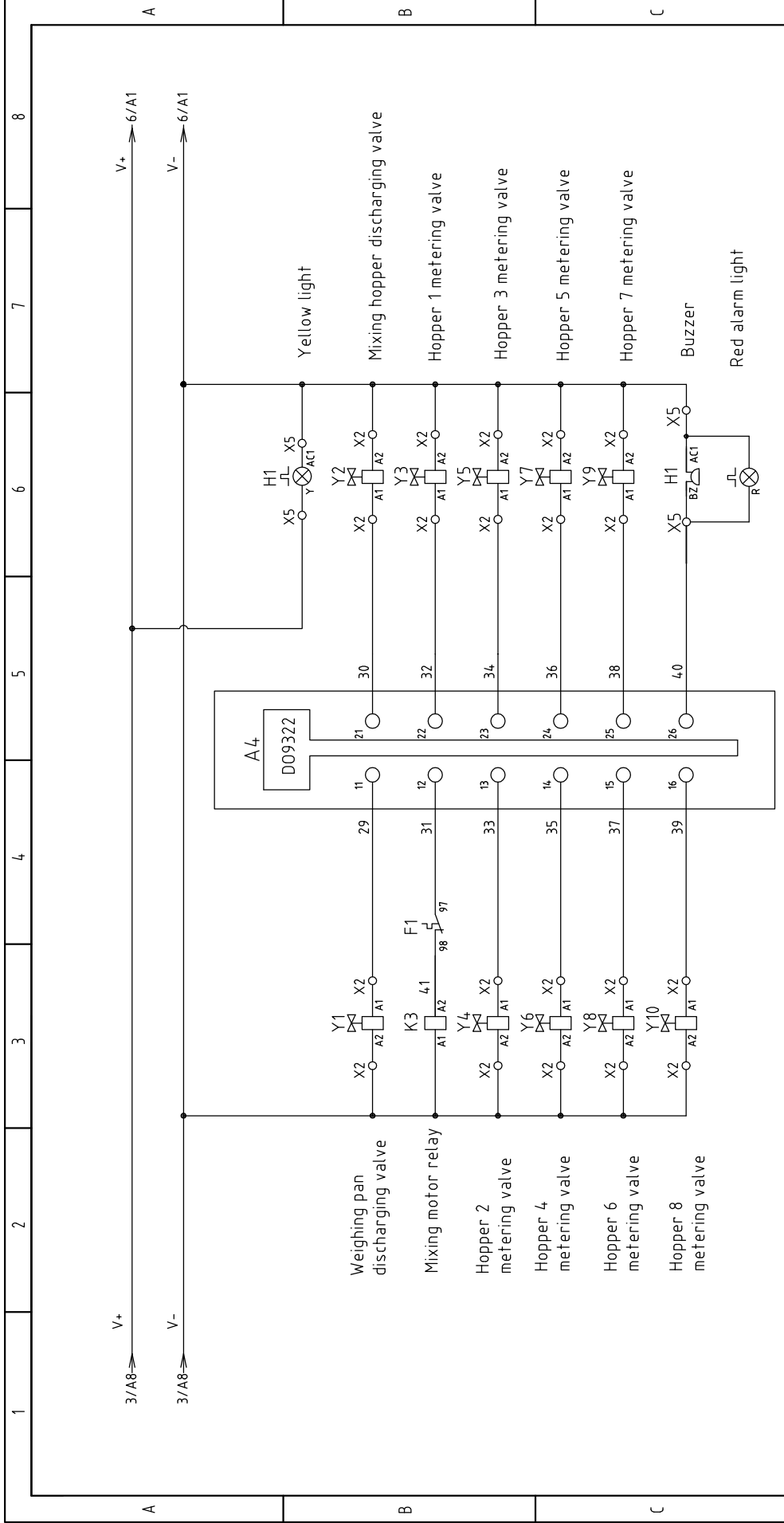
1 2 3 4 5 6 7 8



机型版本 Ver.B

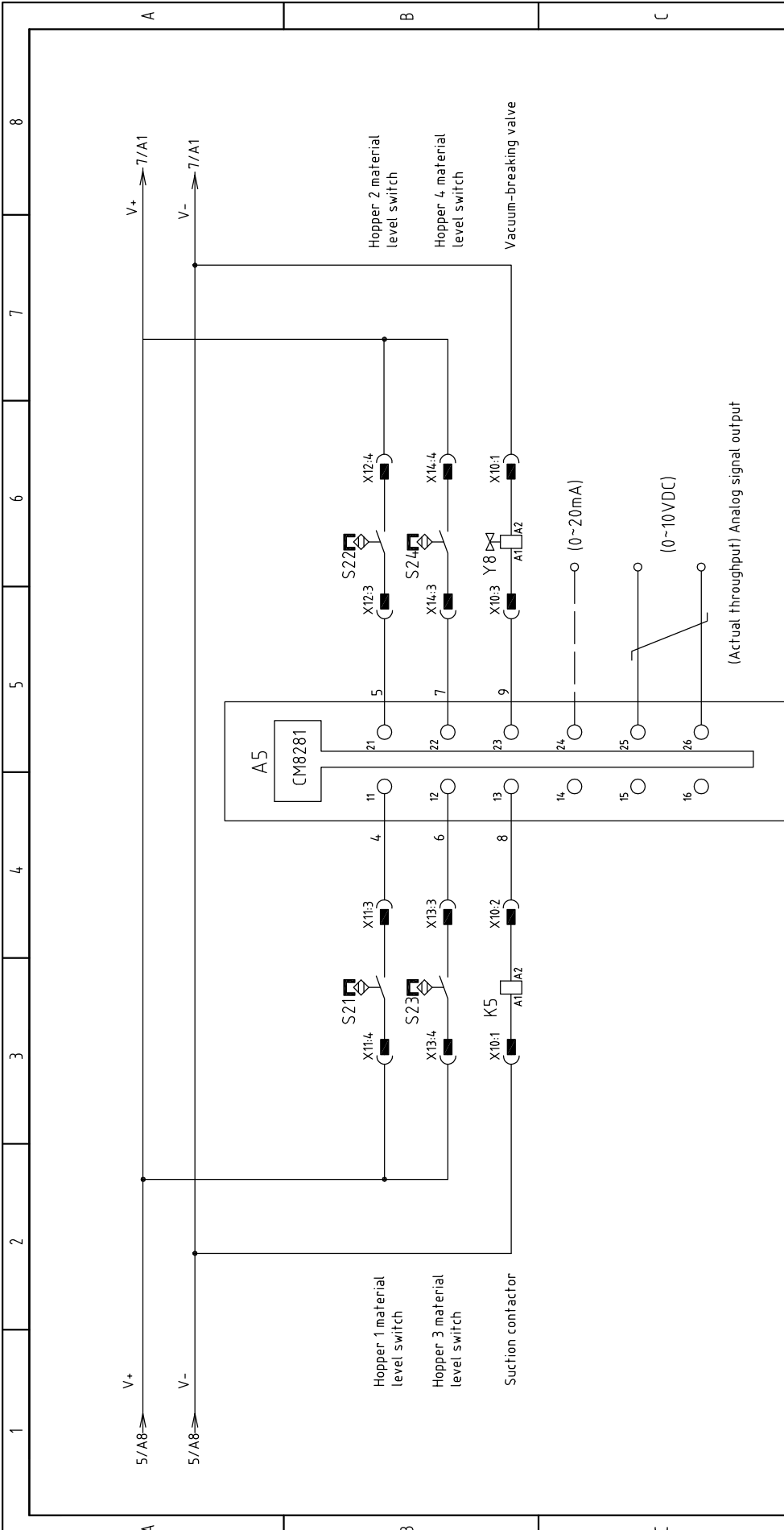
Mark	Before modification	Modified by	Modify date	Checked by	Proofread by	Designer	Drawer	Version	A	Title	SGB-3000-8 Electrical Diagram 4		Scale	Standard	CE	Page	4
										SGB-3000-8-CE-230V-A-4		Standard	CE			Totally	14
										 信易電熱機械股份有限公司 Shini Plastics Technologies, Inc.		Voltage	3Φ230V	Frequency	50/60HZ		

1 2 3 4 5 6 7 8



机型版本 Ver.B

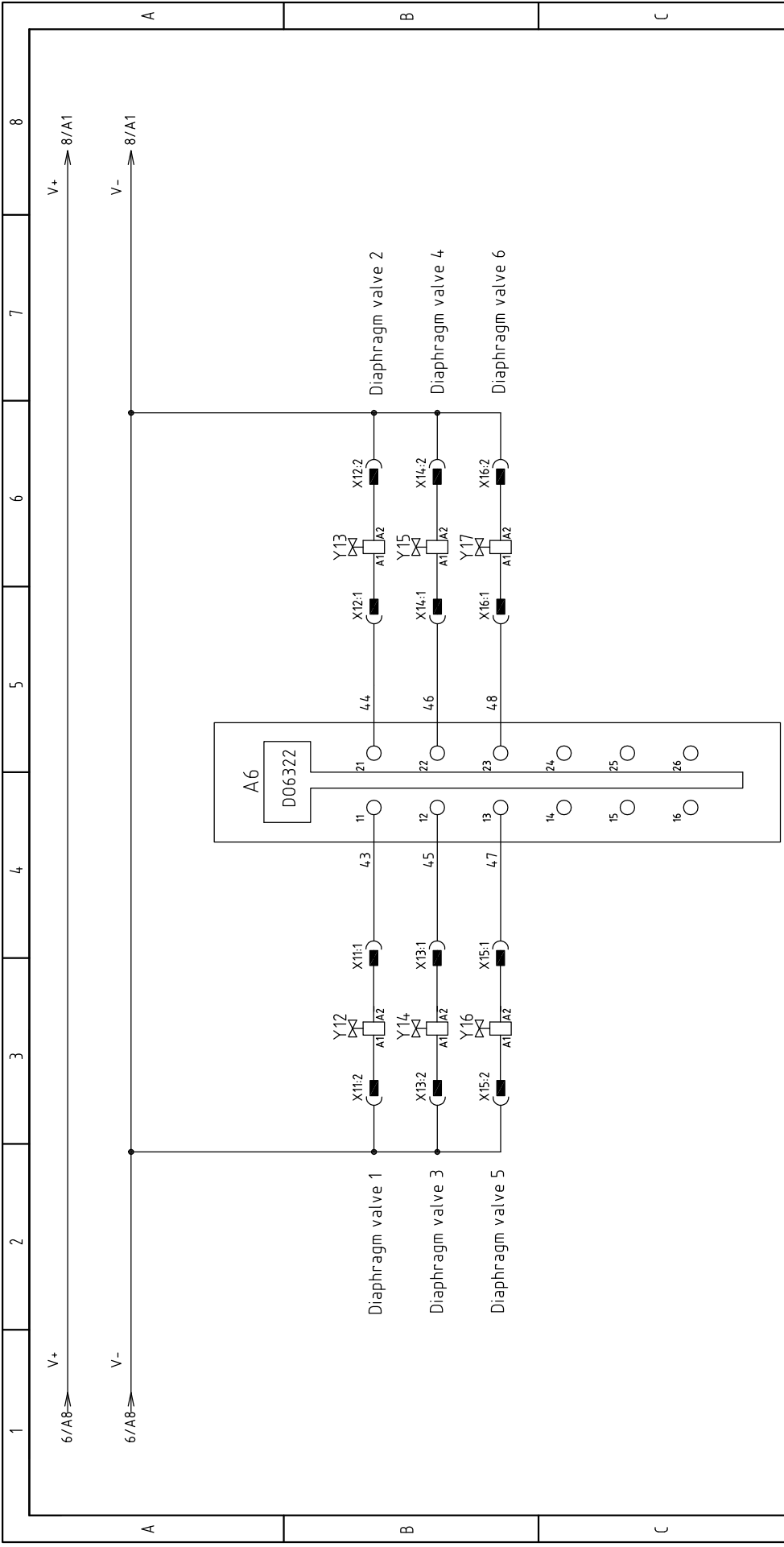
1	2	3	4	5	6	7	8
Title		Version		Drawing NO.		Scale	
SGB-3000-8		A		SGB-3000-8-CE-230V-A-5		Page 5	
Electrical Diagram 5		Approved by		Standard		Totally 14 Pages	
SHINI		Date		Voltage		Frequency	
信易电热机械股份有限公司 Shini Plastics Technologies, Inc.		20200314		3Φ230V		50/60HZ	
Mark	Before modification	After modification	Modified by	Modify date	Checked by	Proofread by	Designer
1	2	3	4	5	6	7	8



机型版本 Ver.B

D	Mark	Before modification	Modified by	2	3	4	5	6	7	8	
	Proofread by		Checked by	20200314							
Version		A		Date		20200314		Approved by			
Title		SGB-3000-8		Electrical Diagram 6		Drawing NO.		SGB-3000-8-CE-230V-A-6		Page 6	
Scale		Standard		CE		Voltage		3Φ230V		Frequency	
Standard		CE		Voltage		Frequency		50/60HZ		Totally 14	
Pages		Page 6		Total		14		Frequency		50/60HZ	



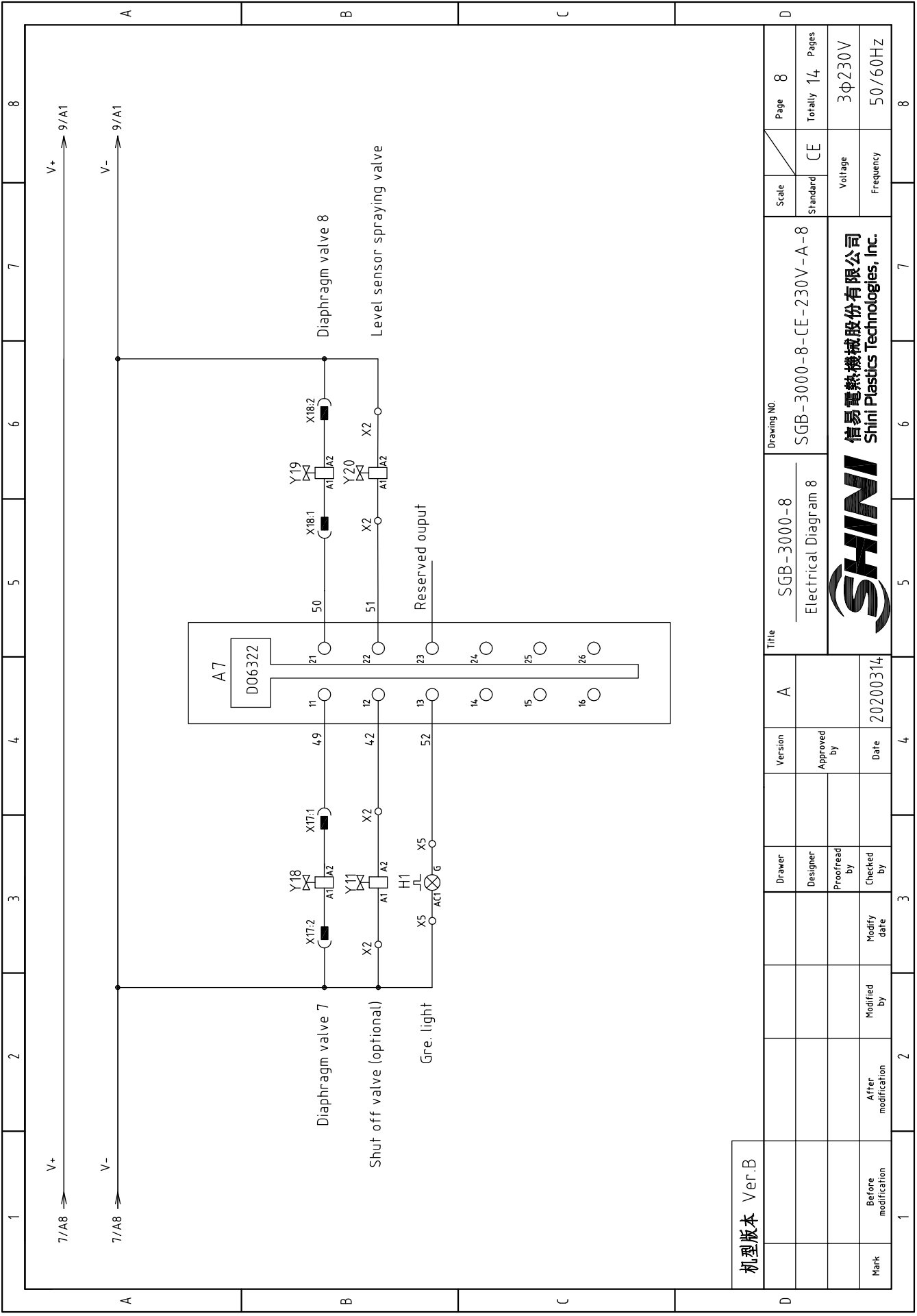


机型版本	Ver.B
Mark	Before modification
	After modification
	Modified by
	Modify date
	Checked by
	Proofread by
	Designer
	Drawer
	Approved by
	Version
	A
	Title

SGB-3000-8		SGB-3000-8-CE-230V-A-7	
Electrical Diagram 7		Drawing NO.	
SHINI		信易电热机械股份有限公司 Shini Plastics Technologies, Inc.	
20200314		Date	
4		4	
3		3	
2		2	
1		1	

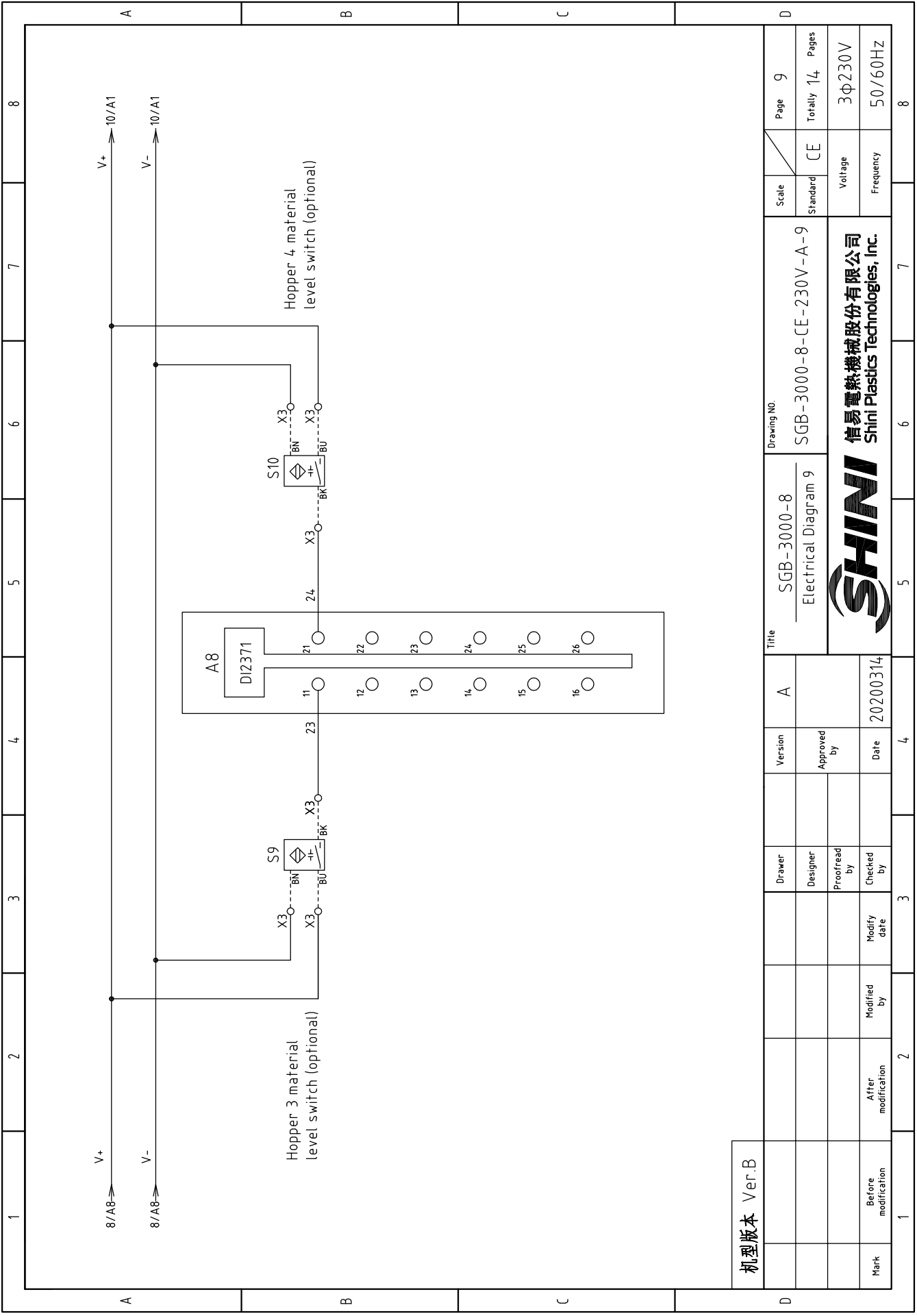
Scale	CE	Page	7
Standard	CE	Totally	14
Voltage	3Φ230V	Pages	
Frequency	50/60HZ		





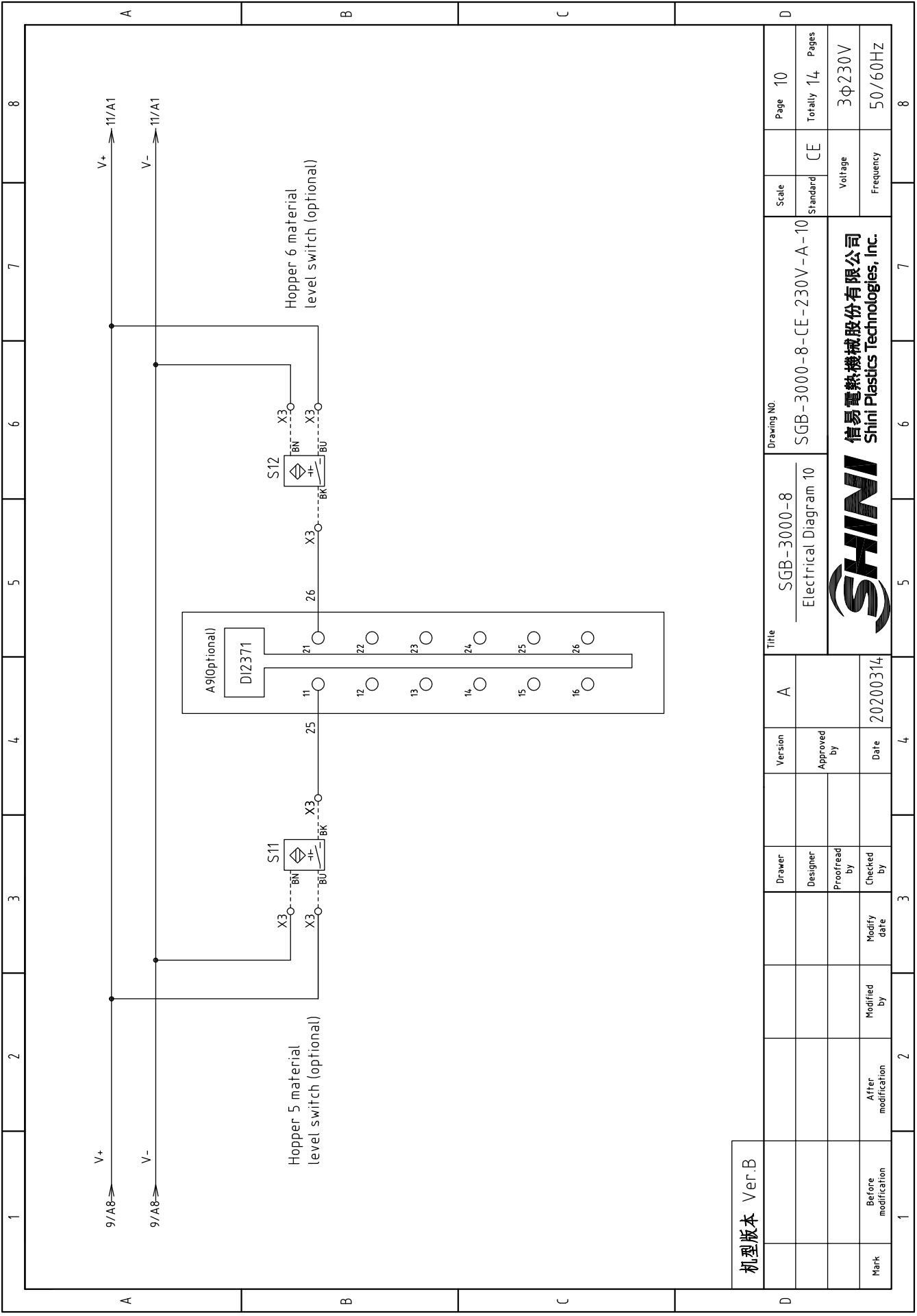
机型版本	Ver.B
Mark	Before modification
	After modification
	Modified by
	Modify date
	Checked by
	Proofread by
	Designer
	Drawer
Version	A
Approved by	
Date	20200314

Title		SGB-3000-8		Drawing NO.		SGB-3000-8-CE-230V-A-8	
Electrical Diagram 8		Scale		Standard		Page 8	
SHINI		Voltage		Frequency		Totally 14 Pages	
信易電熱機械股份有限公司		3Φ230V		50/60HZ			
Shini Plastics Technologies, Inc.							



机型版本 Ver.B

D	A	Version	Title		Scale	Page
			SGB-3000-8	SGB-3000-8-CE-230V-A-9		
		Designer	Electrical Diagram 9		Standard	Totally 14
		Proofread by			Voltage	3Φ230V
		Checked by			Frequency	50/60HZ
Mark	Before modification	Modified by	Date			8
		Modify date	20200314			
			SHINI		信易電熱機械股份有限公司 Shini Plastics Technologies, Inc.	
			Drawing NO.		SGB-3000-8-CE-230V-A-9	

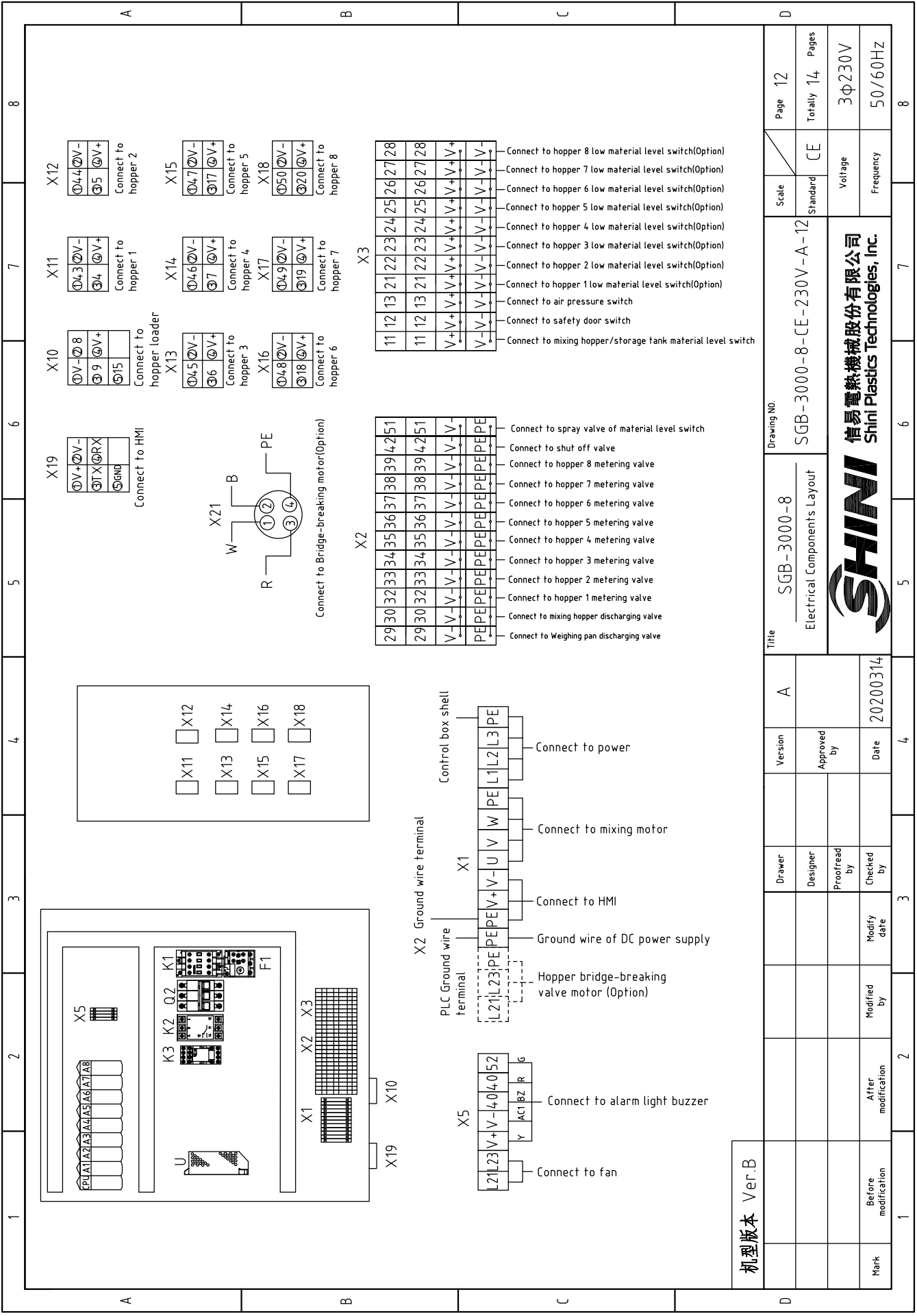


机型版本 Ver.B

D	Scale	CE	Page	10
	Standard	CE	Totally	14
Voltage		3Φ230V		
Frequency		50/60HZ		
Drawing NO.		SGB-3000-8-CE-230V-A-10		
Title		SGB-3000-8 Electrical Diagram 10		
Version		A		
Approved by				
Date		20200314		
Drawer				
Designer				
Proofread by				
Checked by				
Modified by				
Modify date				
1	2	3	4	5
6	7	8		







机型版本	Ver.B
Mark	Before modification
Mark	After modification
Modified by	
Modify date	
Checked by	20200314
Proofread by	
Designer	
Drawer	
Version	A

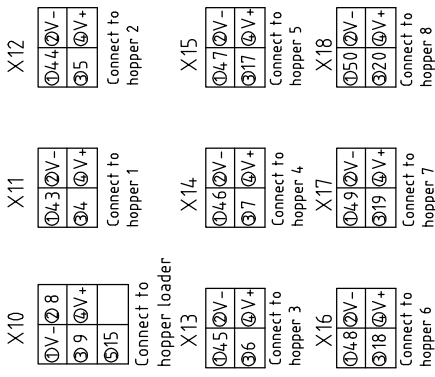
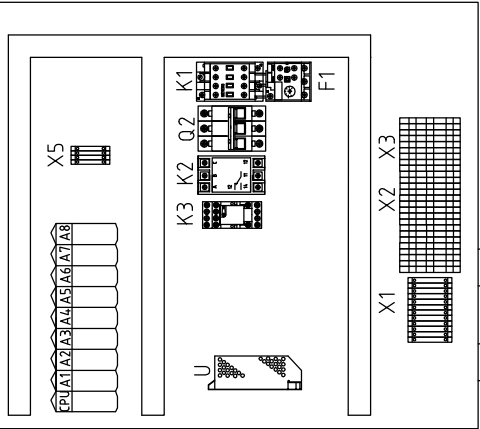
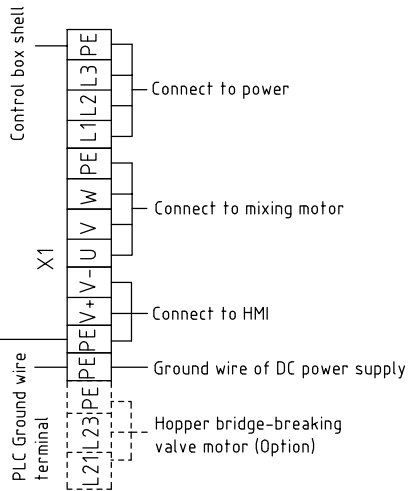
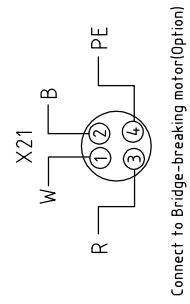
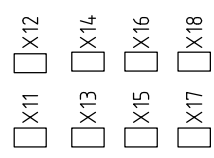
Title		SGB-3000-8		Drawing NO.	
Electrical Components Layout		SGB-3000-8-CE-230V-A-12		Scale	
SHINI		信易电热机械股份有限公司 Shini Plastics Technologies, Inc.		Standard	
SHINI		Voltage		Page 12	
SHINI		Frequency		Totally 14 Pages	
SHINI		3φ230V		8	
SHINI		50/60HZ		7	
SHINI		6		5	
SHINI		4		3	
SHINI		2		1	

11	12	13	21	22	23	24	25	26	27	28
11	12	13	21	22	23	24	25	26	27	28
V+	V+	V+	V+	V+	V+	V+	V+	V+	V+	V+
V-	V-	V-	V-	V-	V-	V-	V-	V-	V-	V-

Connect to hopper 8 low material level switch(Optional)  
 Connect to hopper 7 low material level switch(Optional)  
 Connect to hopper 6 low material level switch(Optional)  
 Connect to hopper 5 low material level switch(Optional)  
 Connect to hopper 4 low material level switch(Optional)  
 Connect to hopper 3 low material level switch(Optional)  
 Connect to hopper 2 low material level switch(Optional)  
 Connect to hopper 1 low material level switch(Optional)  
 Connect to air pressure switch  
 Connect to safety door switch  
 Connect to mixing hopper/storage tank material level switch

29	30	32	33	34	35	36	37	38	39	4	251
29	30	32	33	34	35	36	37	38	39	4	251
V-	V-	V-	V-	V-	V-	V-	V-	V-	V-	V-	V-
PE	PE	PE	PE	PE	PE	PE	PE	PE	PE	PE	PE

Connect to spray valve of material level switch  
 Connect to shut off valve  
 Connect to hopper 8 metering valve  
 Connect to hopper 7 metering valve  
 Connect to hopper 6 metering valve  
 Connect to hopper 5 metering valve  
 Connect to hopper 4 metering valve  
 Connect to hopper 3 metering valve  
 Connect to hopper 2 metering valve  
 Connect to hopper 1 metering valve  
 Connect to mixing hopper discharging valve  
 Connect to Weighing pan discharging valve



1	2		3	4	5	6	7	8
NO.	Symbol	Name	Manufacturer	Type	Specification	Number	Material number	Remark
1	Q1	Main power switch	EATON	TO-2-1/EA/SVB	20A	1	YE10021160000	
2	Q2	Circuit-Breakers	TECO	BM-63C/ 3006S	6A	1	YE40603000000	
3	S3	Capacitive proximity switch	IFM	KI 5082	10~36VDC	1	----	(1)
4	S7-S14	Capacitive proximity switch	IFM	KI 5082	10~36VDC	8	----	(1) (2)
5	S5	Safety switch	SCHMERSRC	AZ152VK-14.76	AC-15	1	----	(1)
6	S6	Pressure switch	FOX	K4SA02	1~12KG	1	----	(1)
7	K1	Contactors	SIEMENS	3RT6015-1AN21	230V 50/60Hz	1	YE00601521000	
8	K2	Phase sequence protector	CHAOSHI	ABJ-10W	400V	1	YE03103800000	
9	K3	Mid-relay	WEIDMULLER	DRM270024LT	24VDC 12A	1	YE03272400000	
10	F1	Thermo-overload-relay	SIEMENS	3RU6116-1GB0	4.5-6.32A	1	YE01160450000	Cancel
11	F1	Thermo overload relay	SIEMENS	3RU6116-1EB0	2.8-4A	1	YE01160280000	New
12	U	DC power	MEAN WELL	S-100-24	+24V 4.5A	1	YE71102400000	
13	CPU1,A2,A3 A4,A5,A6,A8 A10,A9	4-component gravimetric Controller	B&R	----	----	1	YE80024000100	
14	A7	Digital input mouldle	B&R	X20 DI2371	----	2	YE80237100000	(2)
15		Terminal block	B&R	X20 TB12	----	2	YE80201100000	(2)
16		Bus mouldle	B&R	X20 BM11	----	2	YE80200100000	(2)
17	A7	Digital output mouldle	B&R	X20 DO6322	----	1	YE80632200000	
18		Terminal block	B&R	X20 TB12	----	1	YE80201100000	
19		Bus mouldle	B&R	X20 BM11	----	1	YE80200100000	
20	H1	3-color alarm lamp with buzzer	----	PK-27A	24VDC	1	BL90242201520	
21	HMI	Human-machine interface	SCHNEIDER	GXU3512	24VDC	1	YE80351200100	
22	BW1BW2	Weighing sensor	ZHONGHANG	L6D-C3-50kg-2.4B	10VDC 2mV/V	2	----	(1)
23	X1	Terminal	Honeywell	SK2.5	2.5mm <sup>2</sup>	8	YE60002503200	
24	X1	Terminal	----	GK2.5PE	2.5mm <sup>2</sup> PE	3	YE60002503400	
25	X1	Terminal	Honeywell	SK2.5	2.5mm <sup>2</sup>	2	YE60002503200	(4)
机型版本 Ver.B Note: (1) means not part of control box. (2) Optional low material level switch. (3)Optional shut off valve.								
Mark				Before modification	Modified by	Modify date	After modification	
D				Drawer	Designer	Proofread by	Checked by	
				Version	Approved by	Date	20200314	
				A				
				Title		SGB-3000-8		
				Electrical Components List 1		SGB-3000-8-CE-230V-A-13		
				Drawing NO.		SGB-3000-8-CE-230V-A-13		Page 13
				Standard		CE		Totally 14
				Voltage		3Φ230V		Pages
				Frequency		50/60HZ		
				SHINI		信易电热机械股份有限公司 Shini Plastics Technologies, Inc.		
1	2	3	4	5	6	7	8	

