

Fig.1  
Used with optional  
safety relay

Fig.2  
Used without optional  
safety relay

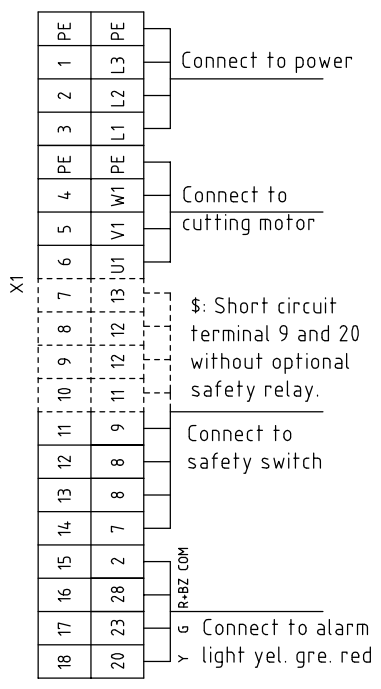
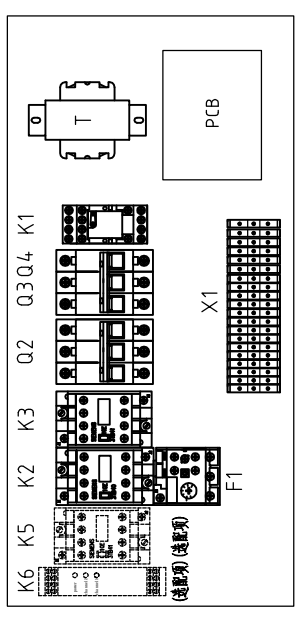
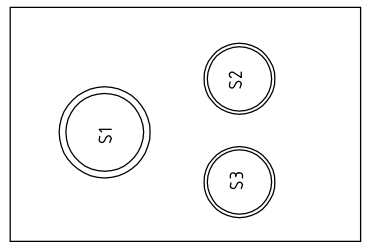
Ver.C	Mark	Before modification	After modification	Modified by	Modify date	Checked by	Date	20190815	Approved by	Version	F	Title	Drawing NO.		Page	2
													SG-1411/17	Control Circuit Diagram 1		
1	2	3	4	5	6	7	8	Voltage		3Φ230V		Frequency		50HZ		





1 2 3 4 5 6 7 8

A B C D



机型版本	Ver.C
Mark	Before modification
	Modified by
	Modify date
	Checked by
	Proofread by
	Designer
	Drawer
	Date
	Approved by
	Version
	F

Title	SG-14/11/17	Drawing NO.	SG-14/11/17-CE-230V-F-4
	Electrical Components Layout		
Scale	Standard	CE	Page 4
			Totally 6 Pages
Voltage	3Φ230V		Frequency
Frequency	50HZ		
信易电热机械股份有限公司		SHINI	
Shini Plastics Technologies, Inc.			

1 2 3 4 5 6 7 8

1	2		3	4	5	6	7	8
NO.	Symbol	Name	Manufacturer	Type	Specification	Number	Material number	Remark
1	Q1	Main power switch	EATON	T0-2-1/EA/SVB	20A	1	YE10021160000	(1)
2	Q2	Circuit-breaker	TECO	BM-63C/3006S	6A	1	YE40300603000	
3	K1	Middle relay	HoneyWell	GR-2C-AC24V	24VAC 50/60Hz	1	YE03022400300	
4	K2,K3	Contact	SIEMENS	3RT6016-1AB02	24VAC 50/60Hz	2	YE00601602600	
5		Auxiliary contact terminal	SIEMENS	3RH5921-1CA01	1NC	2	YE00592110100	(2)
6	K5	Contact	SIEMENS	3RT6016-1AB02	24VAC 50/60Hz	1	YE00601602600	(2)
7	K6	Safety relay	PILZ	PN0Zx2.8P	24V AC/DC	1	YE04023000000	(2)
8	F1	Thermal overload relay	SIEMENS	3RU6116-1BB0	1.4-2.0A	1	YE01160140000	
9	T	<del>互感变压器/Transformer</del>	<del>BAIYUN</del>	<del>IN=230V OUT=24V</del>	<del>80VA</del>	<del>1</del>	<del>YE70248005900</del>	Cancel
10	T	Sensor transformer	BAIYUN	IN=230V/200V OUT=24V	80VA	1	YE70023005200	New
11	Q3	Circuit-breaker	TECO	BM-63C/2003S	2P/3A	1	YE40200203000	
12	Q4	Circuit-breaker	TECO	BM-63C/1003S	1P/3A	1	YE40100203000	
13	H2	<del>报警指示灯/indicate lamp</del>	<del>SHINI</del>	<del>LED=3051</del>	<del>24VAC 50/60Hz</del>	<del>1</del>	<del>YE83305100900</del>	(1) Cancel
14	H2	Three-color indicate lamp	SHINI	Red. gre. yel.+buzzer	24VAC 50/60Hz	1	BL90002401520	(1) New
15	S1	Emergency stop button	SCHNEIDER	XB2BS542C	230VAC	1	YE11254200000	(1)
16		Contact block	SCHNEIDER	ZB2BE102C	1NC	1	YE00210203100	(1)(2)
17	S2	Stop button	SCHNEIDER	XB2BA22C	400VAC	1	YE11222000000	(1)
18	S3,H1	Start button (with light)	SCHNEIDER	XB2BW33B1C	24VAC	1	YE11233100000	(1)
19		Contact block	SCHNEIDER	ZB2BE101C	1NO	1	YE00210103100	(1)(2)
20	S4,S5	Safety switch	SCHMERSAL	AZ 15ZVK-14.76	AC-15	2	YE16147600100	(1)
21	S4,S5	Safety switch	SCHMERSAL	AZ16-02ZVRK-14.76	AZ-16	2	YE16147600000	(1)(2)
22	PCB	Circuit board PCB	YUYUN	AC-01	24VAC	1	YE80012400600	(1)
23	S6	Sensor	DELIN	DL-12	24VDC NPN	1	YE15122400000	(1)
24	X1	Terminal board	HoneyWell	SK2.5	2.5mm <sup>2</sup>	4φ 14	YE60002503200	Change
25			HoneyWell	SK2.5PE	2.5mm <sup>2</sup> PE	2	YE60002503400	

机版本 Ver.C Notes: (1) Materials not in the control box; (2) Optional safety relay accessories;

D	E	F	G	H	I	J	K	L
Mark	Before modification	Modified by	Modify date	Checked by	Proofread by	Designer	Drawer	Version
								F
								Approved by
			20190815					Date
Title		SG-14/11/17		Electrical Components list 1		SG-14/11/17-CE-230V-F-5		Scale
Drawing NO.		SG-14/11/17-CE-230V-F-5		CE		Page 5		Standard
Voltage		3φ230V		Frequency		50HZ		Standard
Totaly		6		Pages		8		Standard



信易电热机械股份有限公司  
Shini Plastics Technologies, Inc.

1	2	3	4	5	6	7	8	
NO.	Symbol	Name	Manufacturer	Type	Specification	Number	Material number	Remark
26			HoneyWell	SK2.5	2.5mm <sup>2</sup>	4	YE60002503200	(2)
27	M1	Cutting motor	NORD	0.37kw	230V 50Hz	1	----	(1)
28		Terminal fittings E/GK series	HoneyWell	----	----	4	YE60000003900	A
A								
B								
C								
D								
机型版本 Ver.C		Notes:(1) Materials not in the control box;(2) Option safety relay accessories;			Title SG-1411/17 Electrical Components List 2		Scale Standard CE	
Mark		Before modification	Modified by	Modify date	Checked by	Date	Voltage Frequency	
				20190815			3Φ230V 50HZ	
							Page 6 Totally 6 Pages	
							Drawing NO. SG-1411/17-CE-230V-F-6	
							信易電熱機械股份有限公司 Shini Plastics Technologies, Inc.	
							SHINI	
							5 6 7 8	