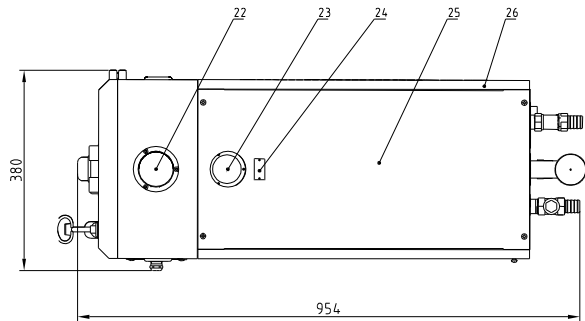
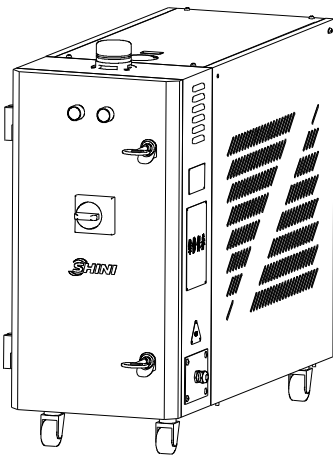
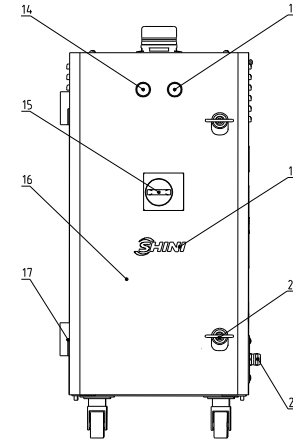
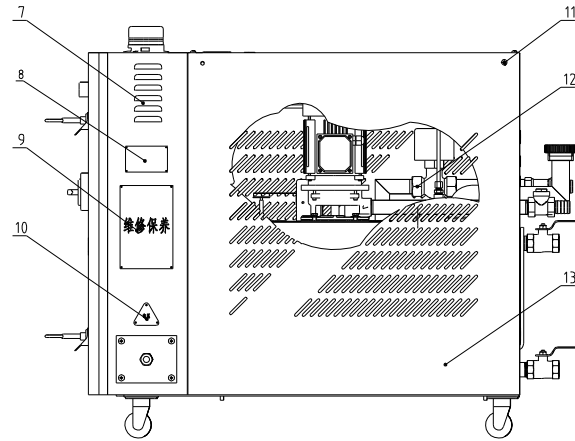
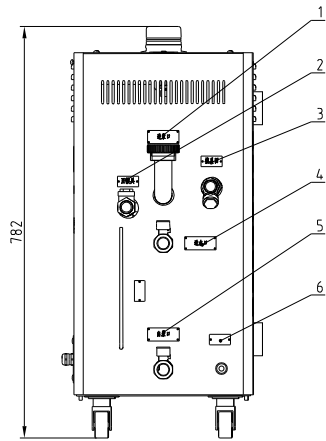


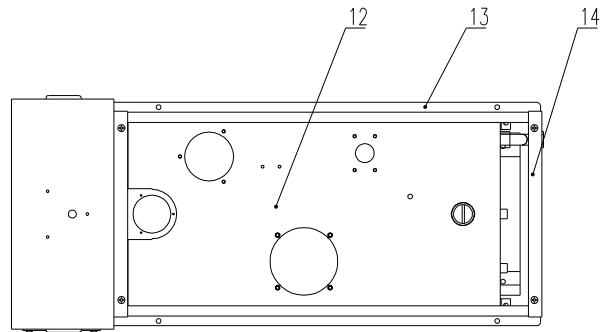
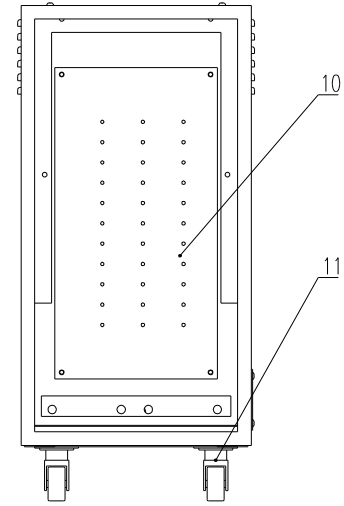
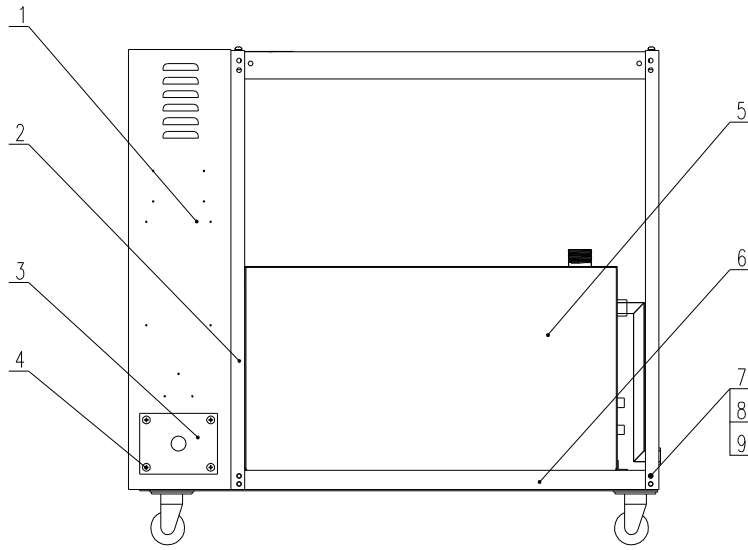
清洗劑入口(inch) Cleaning agent inlet (inch)	水箱補水口(inch) Water tank refill port (inch)	水箱排水口(inch) Drain port (inch)	至模具排水口(inch) To mold water outlet(inch)	模具回水口(inch) Mold return port(inch)	水循環速率及水壓 Rated flow rate and water pressure of water pump	水箱容量(L) Water tank capacity (L)	重量(kg) Weight (kg)	版本 Ver.
Rc1"	Rc3/4"	Rc3/4"	Rc3/4"	Rc3/4"	33L/min&0bar	35	65	A



26	STCM-W-35-ALL-03	Left side plate	SPCC15	1	
25	STCM-W-35-ALL-01	Top plate	SPCC15	1	
24	YP304.25000000	Pump pressure label	Assembly	1	
23	YW85001000100	water pressure gauge	Assembly	1	
22	BL900024.01520	Three color alarm light AC24V	Assembly	1	
21	YE67201500100	Copper nickel plated cable cable head	Assembly	1	
20	YW008161000000	Door lock	Assembly	1	
19	YP308027000000	Shini Trademark Black	Assembly	1	
18	YE112220000000	Stop button (black)	Assembly	1	
17	YW062031004.00	Large hinge (L203-1left)	Assembly	2	
16	STCM-W-35-ALL-02	Front door panel	SPCC15	1	
15	YE100211600000	Main power switch	Structural parts	1	
14	YE10022000100	Button switch (green)	Assembly	1	
13	STCM-W-35-ALL-04	Side plate	SPCC15	1	
12	STCM-W-35-B-ALL	Water system assembly	Assembly	1	
11	YW630630000000	Cross socket flat head screw M6-30	4.8	16	
10	YP310516500000	Voltage label 3Φ400V	Assembly	1	
9	YP311158006000	Maintenance label	Assembly	1	
8	YP301086800000	Nameplate	Assembly	1	
7	STCM-W-35-A-ALL	Rack assembly	Assembly	1	
6	YP304020005000	Overflow port label	Assembly	1	
5	YP304300000000	Water outlet label	Assembly	1	
4	YP304310000000	Water inlet label	Assembly	1	
3	YP304220000000	Mold return water label	Assembly	1	
2	YP304230000000	To mold label	Assembly	1	
1	YP304310000000	Water inlet label	Assembly	1	

序号	代号	名称	材质	数量	备注
----	----	----	----	----	----

				制图	版号	0	标题	STCM-W-35	图号	STCM-W-35-ALL	比例	1:9	数量	1
				设计	核准		总装图						材质	组合件
				校对			信易電熱機械股份有限公司 Shini Plastics Technologies, Inc.	表面要求		/				
标记	更改前	更改后	更改人	日期	审核	日期		20230904	物料号		/			



14	STCM-W-35-A-03	Rear plate	SPCC15	1	
13	STCM-W-35-A-04	Top Crossbeam	SPCC2.0	2	
12	STCM-W-35-A-10	Water tank cover plate	SPCC15	1	
11	YW03000200000	2" castor	Assembly	1	
10	STCM-W-35-A-07	Electrical base plate	SPCC15	1	
9	YW66061300000	Flat washer A grade	14.0Hv	30	
8	YW65006000100	Standard spring washer	65Mn	30	
7	YW60062000100	Hexagon screw bolt M6x20	4.8	30	
6	STCM-W-35-A-05	Bottom frame	Assembly	1	
5	STCM-W-35-A-09	Assembly of water tank body	Assembly	1	
4	YW62051000100	Flat head screw M5x10	SPH4.0	4	
3	SG-S-01	Wire fixture fixed plate	SPCC2.0	1	Borrowed
2	STCM-W-35-A-02	Front fender	SPCC15	1	
1	STCM-W-35-A-01	Control box	SPCC15	1	

序号	代号	名称	材质	数量	备注	
		标题	比例	1.7	数量	1
		图号	材质	焊接件		
		表面要求		/		
		物料号		/		

					制图		版号	0
					设计		核准	
					校对		审核	
标记	更改前	更改后	更改人	日期	审核	日期	20230901	

SHINI 信易电热机械股份有限公司
Shini Plastics Technologies, Inc.

