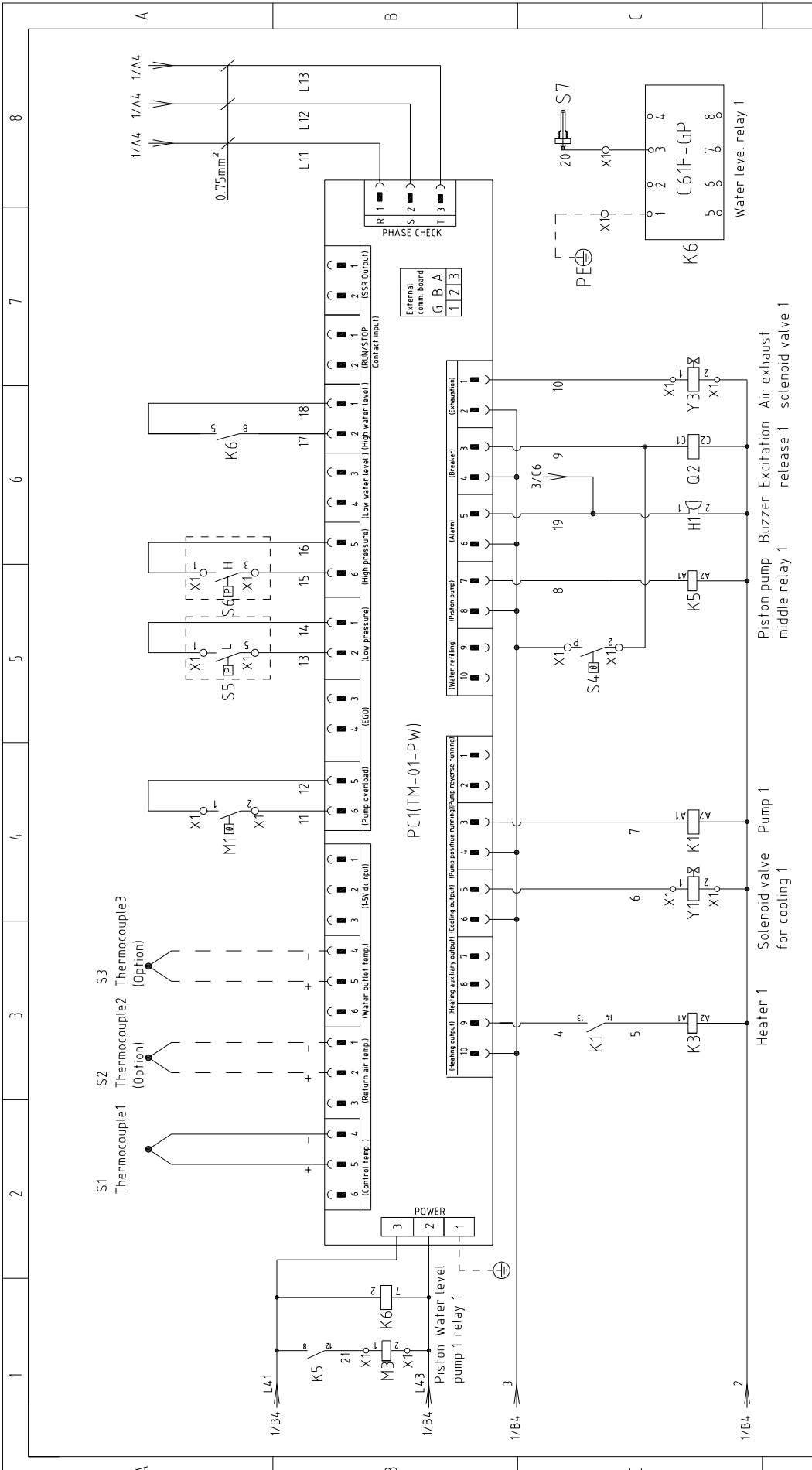


版本	Ver.D	
	1	2
Mark	Before modification	After modification
	Modified by	Modify date
Date	20181114	
	Checked by	
Proofread by		
	Designer	
Drawer		
	Approved by	
Version	B	
Title	STM-607PW-D Main Circuit Diagram	
	Drawing NO STM-607PW-D-CE-230V-B-1	
Scale	Standard	CE
	Voltage 230V	
Page	1	
	Totally 7 Pages	
Frequency	50HZ	
	230V	





版本 Ver.D		Note M1 is the overheat protection output contact of water pump.		Drawing NO		Page 2	
Title		STM-607PW-D		Standard		CE	
Version		B		Title		STM-607PW-D-CE-230V-B-2	
Designer		Approved by		Voltage		230V	
Proofread by		Date		Frequency		50HZ	
Checked by		20181114		Scale		Standard	
Modified by		Modify date		Voltage		230V	
After modification		Date		Frequency		50HZ	
Mark		20181114		Scale		Standard	
Ver.D		B		Title		STM-607PW-D-CE-230V-B-2	
Page		2		Title		STM-607PW-D-CE-230V-B-2	
Totally		7		Voltage		230V	
Pages		7		Frequency		50HZ	
1		2		3		4	
5		6		7		8	



版本

Ver.D

Note M1 is the overheat protection output contact of water pump.

Drawing NO

Page 2

Standard

CE

Title

STM-607PW-D

Version

B

Approved by

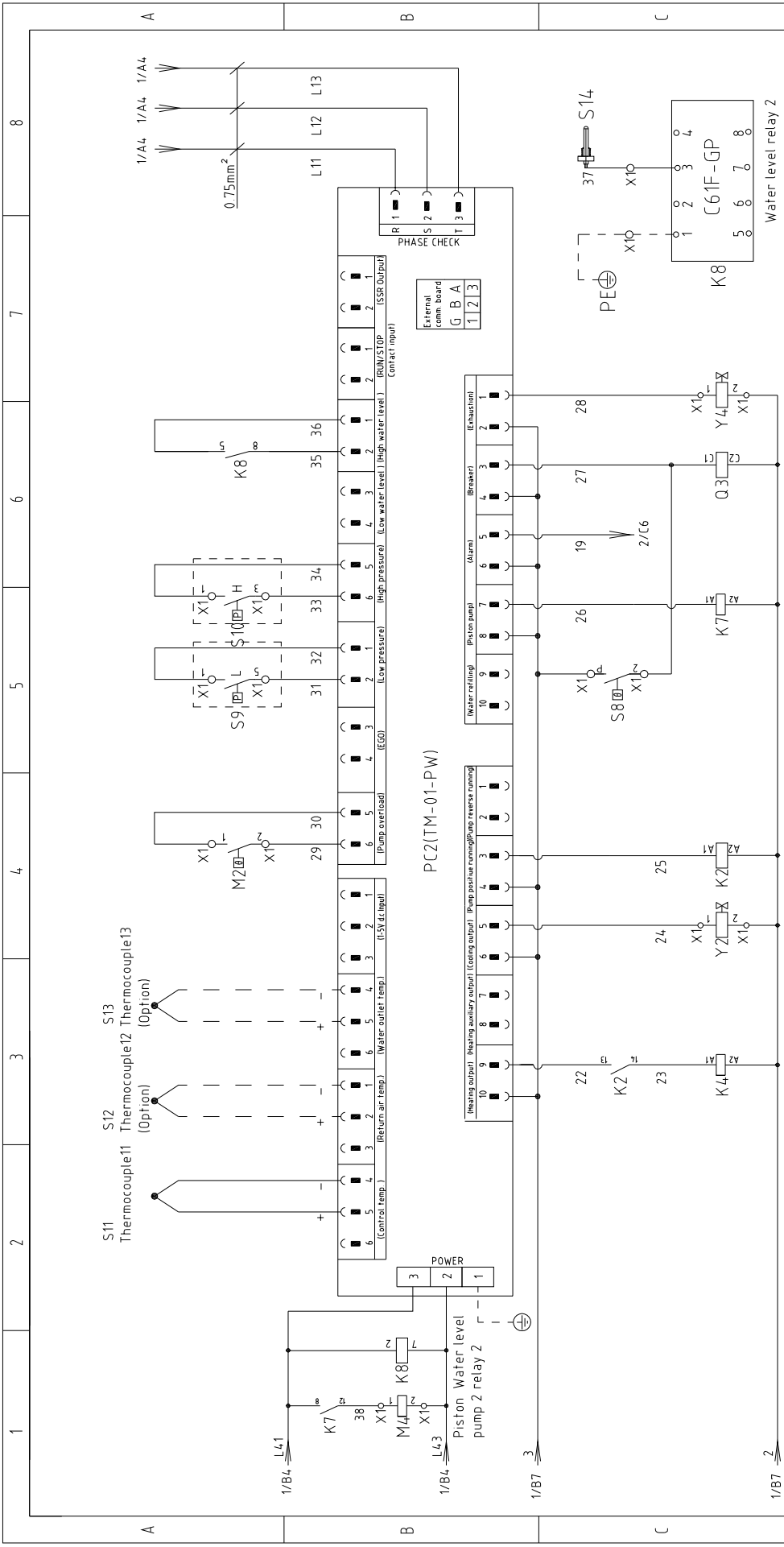
Date

20181114

Checked by

Modify date

After modification



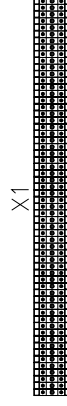
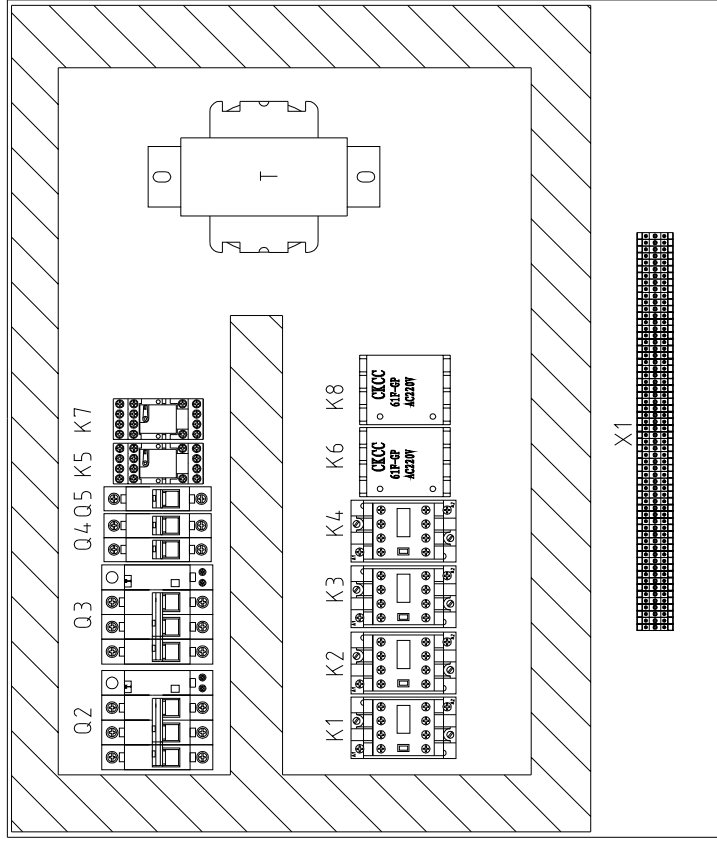
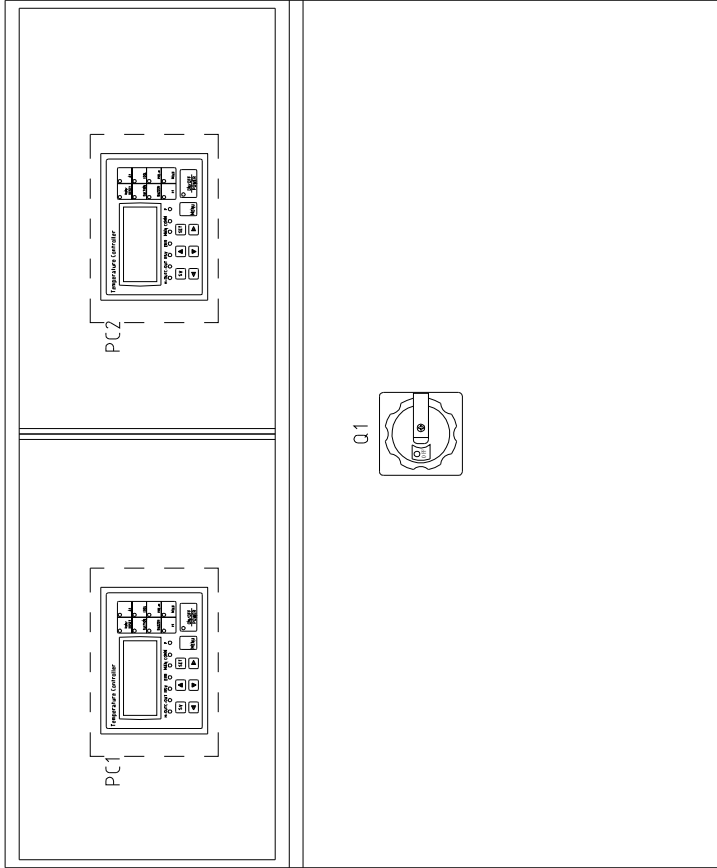
1	2	3	4	5	6	7	8
<p>版本 Ver.D</p> <p>Note: M2 is the overheat protection output contact of water pump.</p>							
Title		Version		Drawing NO		Page	
STM-607PW-D		B		STM-607PW-D-CE-230V-B-3		3	
Control Circuit Diagram 2				Standard		CE	
Designer		Proofread by		Voltage		Frequency	
Approved by		Checked by		230V		50HZ	
Date		Modify date		Totally		Pages	
20181114				7		7	
After modification		Modified by		SHINI		信易电热机械股份有限公司 Shini Plastics Technologies, Inc.	
Before modification		Checked by		SHINI		信易电热机械股份有限公司 Shini Plastics Technologies, Inc.	
Mark		Date		Voltage		Frequency	
1		3		20181114		230V 50HZ	
2		4		5		6	
3		4		5		6	
4		5		6		7	
5		6		7		8	
6		7		8		9	
7		8		9		10	
8		9		10		11	
9		10		11		12	
10		11		12		13	
11		12		13		14	
12		13		14		15	
13		14		15		16	
14		15		16		17	
15		16		17		18	
16		17		18		19	
17		18		19		20	
18		19		20		21	
19		20		21		22	
20		21		22		23	
21		22		23		24	
22		23		24		25	
23		24		25		26	
24		25		26		27	
25		26		27		28	
26		27		28		29	
27		28		29		30	
28		29		30		31	
29		30		31		32	
30		31		32		33	
31		32		33		34	
32		33		34		35	
33		34		35		36	
34		35		36		37	
35		36		37		38	
36		37		38		39	
37		38		39		40	
38		39		40		41	
39		40		41		42	
40		41		42		43	
41		42		43		44	
42		43		44		45	
43		44		45		46	
44		45		46		47	
45		46		47		48	
46		47		48		49	
47		48		49		50	
48		49		50		51	
49		50		51		52	
50		51		52		53	
51		52		53		54	
52		53		54		55	
53		54		55		56	
54		55		56		57	
55		56		57		58	
56		57		58		59	
57		58		59		60	
58		59		60		61	
59		60		61		62	
60		61		62		63	
61		62		63		64	
62		63		64		65	
63		64		65		66	
64		65		66		67	
65		66		67		68	
66		67		68		69	
67		68		69		70	
68		69		70		71	
69		70		71		72	
70		71		72		73	
71		72		73		74	
72		73		74		75	
73		74		75		76	
74		75		76		77	
75		76		77		78	
76		77		78		79	
77		78		79		80	
78		79		80		81	
79		80		81		82	
80		81		82		83	
81		82		83		84	
82		83		84		85	
83		84		85		86	
84		85		86		87	
85		86		87		88	
86		87		88		89	
87		88		89		90	
88		89		90		91	
89		90		91		92	
90		91		92		93	
91		92		93		94	
92		93		94		95	
93		94		95		96	
94		95		96		97	
95		96		97		98	
96		97		98		99	
97		98		99		100	

1 2 3 4 5 6 7 8

A

B

C

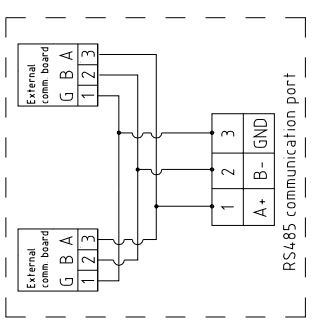
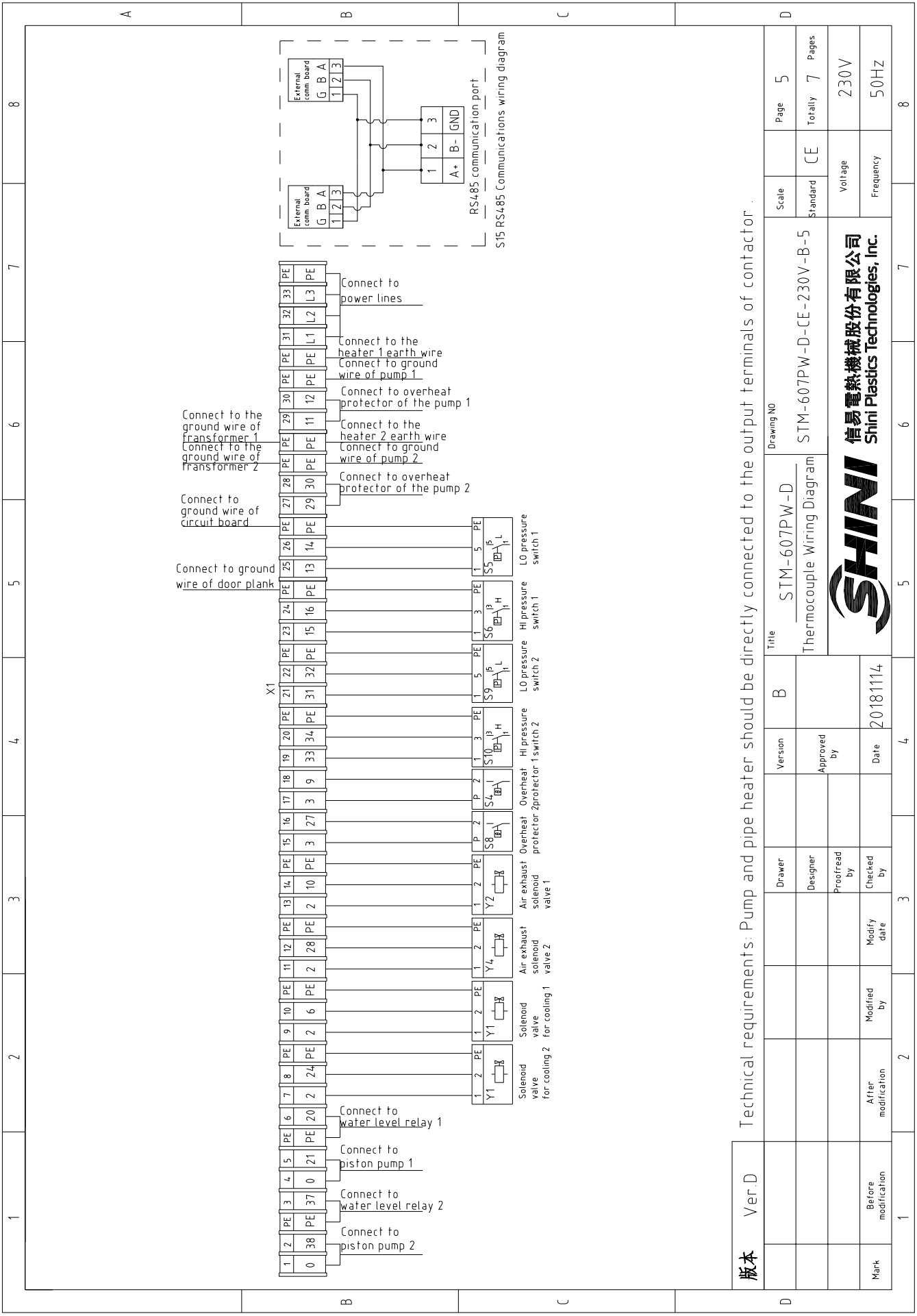


Technical requirements: Pump and pipe heater should be directly connected to the output terminals of contactor .

版本	Ver.D
Mark	Before modification
	After modification
	Modified by
	Modify date
	Checked by
	Proofread by
	Designer
	Drawer
	Version
	B
	Approved by
	Date
	20181114

D	Title	STM-607PW-D	Drawing NO	Scale	Page	4
		Electrical Components Layout			Standard	CE
		STM-607PW-D-CE-230V-B-4			Voltage	230V
					Frequency	50HZ
						8





Technical requirements: Pump and pipe heater should be directly connected to the output terminals of contactor.


版本	Ver.D	Title	STM-607PW-D		Drawing NO	STM-607PW-D-CE-230V-B-5		Scale	Page	5
						Standard	CE		Totally	7
Mark	Before modification	Date	20181114		Checked by	Modified by	Modify date	Voltage	230V	
	After modification								Frequency	50HZ
1	2	3	4	5	6	7	8			



1	2		3			4		5		6		7		8	
NO.	Symbol	Name	Manufacturer	Type	Specification	Number	Material number	Remark							
1	Q1	Main power switch	EATON	P3-63/EA/SVB	63A	1	YE10636300000								
2	Q2 Q3	Circuit breakers	TECO	BM-63C/3025S	25A	2	YE40302503000								
3		Excitation release	TECO	MX	24V	2	YE40024000000								
4	Q4	Circuit breakers	TECO	BM-63C/2003S 2P	3A	1	YE40200203000								
5	Q5	Circuit breakers	TECO	BM-63C/1006S 1P	6A	1	YE40100600100								
6	K1 K2	Contactors	SIEMENS	3RT16015-1AB01	24V 50/60HZ	2	YE00601502500								
7	K3 K4	Contactors	SIEMENS	3RT16026-1AC20	24VAC	2	YE00602602600								
8	K5 K7	Middle relay	WEIDEMILE	GR-2C-AC24V	24VAC 50/60HZ	2	YE03022400300								
9	K6 K8	Water level relay	JINDONG	C61F-GP	230VAC 50HZ	2	YE02612200000								
10	T	Transformer	JIUXIN	IN=230/200V OUT=24VAC	120VA	1	YE70023004500								
11	PC1 PC2	Circuit board	YUYUN	TM-01-PW 220VAC	180~430V 50/60Hz	2	YE81122000900								
12	S1 S11	Thermocouple	SHINI	----	----	2	----	(1)							
13	S2 S3 S12 S13	Thermocouple	SHINI	----	----	4	----	(1)(2)							
14	S4 S8	Overheat protector	----	----	----	2	----	(1)							
15	S5 S9	LO pressure switch	----	----	----	2	----	(1)							
16	S6 10	HI pressure switch	----	----	----	2	----	(1)							
17	S7 S14	Water level probe	----	----	----	2	----	(1)							
18	S15	Communication interface board RS-485 (double Dsub-9pin connector)	YUYUN	----	----	1	YE90048501200								
19		Shell RS485(SAL - 700G-A - 19)0	BINCHENG	----	----	1	YR40048500000								
20	X1	Terminal board	HONEYWELL	SK2.5	2.5mm ²	30	YE60002503200								
21		Terminal board	HONEYWELL	GK2.5PE	2.5mm ² PE	12	YE60002503400								
22		Terminal board	HONEYWELL	GK5PE	4.0mm ² PE	2	YE60000403500								
23		Terminal board	HONEYWELL	GK10	10.0mm ²	3	YE60001003200								
24		Terminal board	HONEYWELL	GK10PE	10.0mm ² PE	1	YE60001003500								
25	Y1 Y2 Y3 Y4	Solenoid valve	----	----	24VAC 50/60HZ	4	----	(1)							

版本 Ver.D Notes: (1)Means it's not the material inside the control box (2)Means equipped with function of displaying water outlet and return water temperature

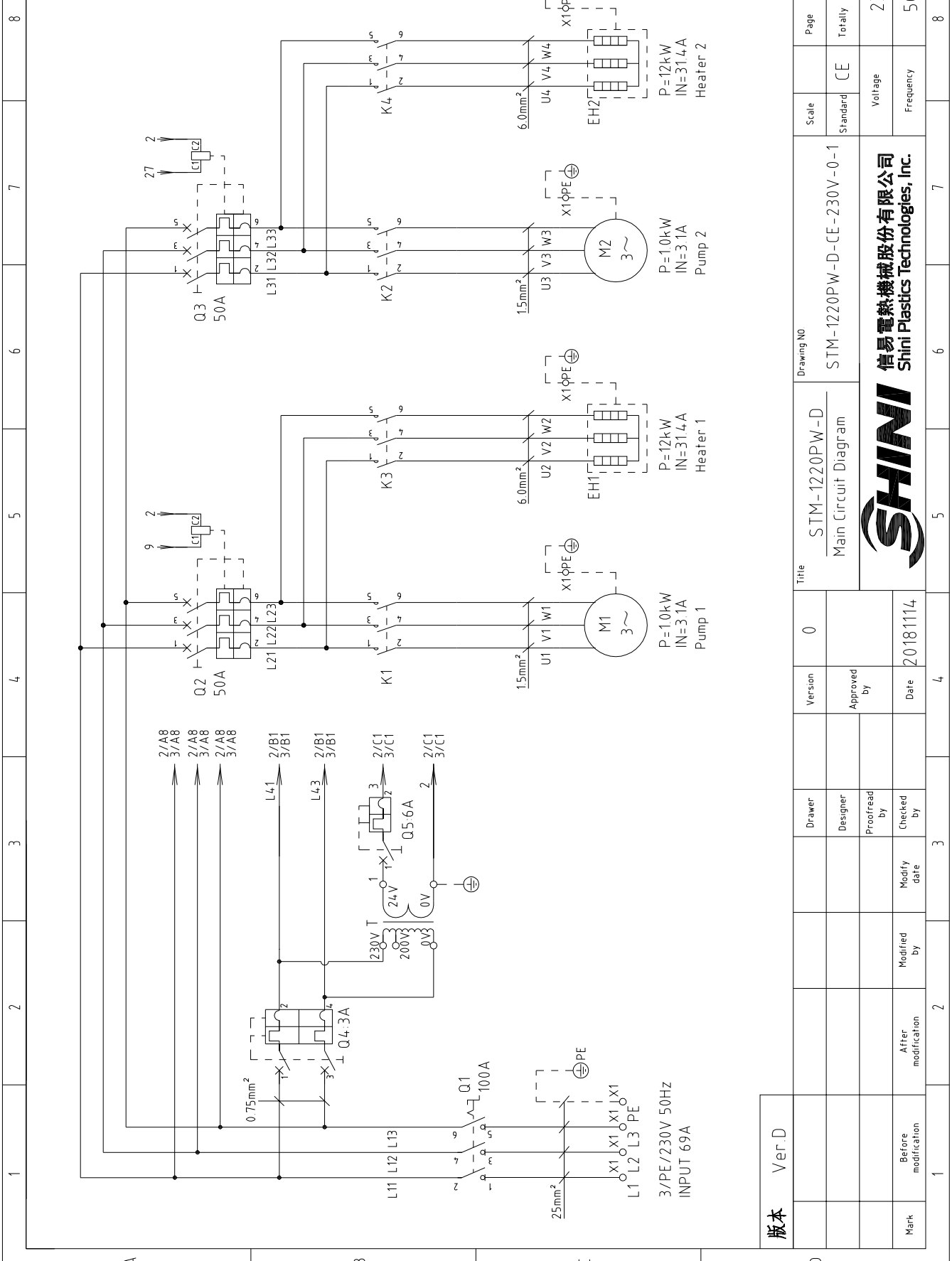
D	Drawing NO	Title		Version	B	Scale	Page	6			
		STM-607PW-D	Electrical Components list 1						Standard	CE	Totally
STM-607PW-D-CE-230V-B-6		STM-607PW-D-CE-230V-B-6		Voltage		230V		Frequency		50HZ	



信易電熱機械股份有限公司
Shini Plastics Technologies, Inc.

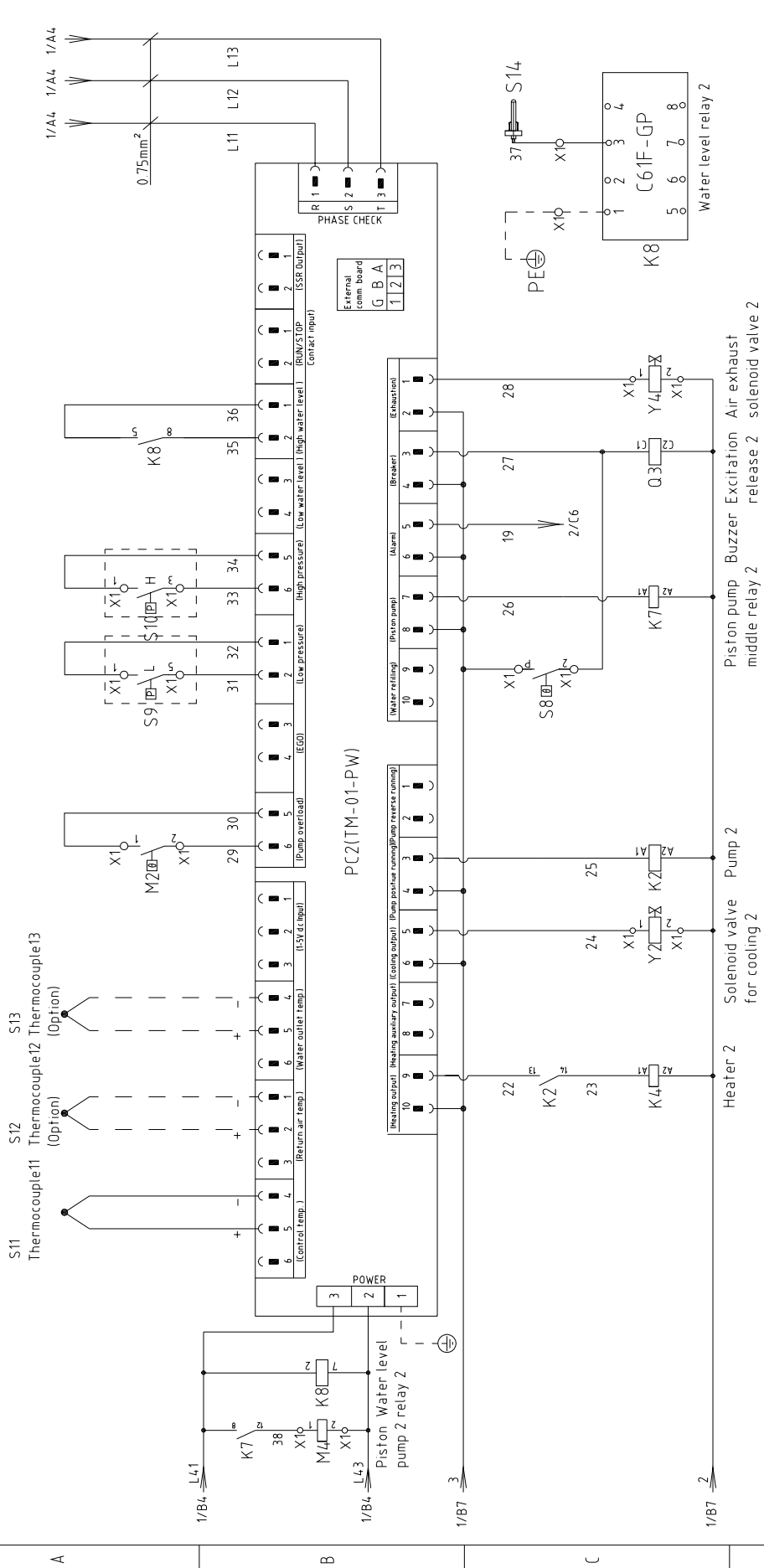
Mark	Before modification	Modified by	Modify date	20181114	Date	20181114
		Designer	Approved by			
		Drawer				

1 2 3 4 5 6 7 8



版本 Ver.D

D	Version	0	Title	STM-1220PW-D Main Circuit Diagram		Scale	Standard	CE	Page	1	Totally	7	Pages
	Designer		Approved by			Standard			Voltage	230V	Frequency	50HZ	
Mark	Before modification		Date	20181114		SHINI		信易电热机械股份有限公司 Shini Plastics Technologies, Inc.					
	After modification		Modify date										



版本	Ver.D	Note: M2 is the overheat protection output contact of water pump.		Drawing NO		Page 3	
Mark	Before modification	Designer	Approved by	Title		Scale	
Modified by	Modify date	Proofread by	Date	STM-1220PW-D		Standard	
After modification	20181114		20181114	Control Circuit Diagram 2		CE	
				STM-1220PW-D-CE-230V-0-3		Voltage	
						Frequency	
						230V	
						50HZ	
						Totally 7	
						Pages	
						8	

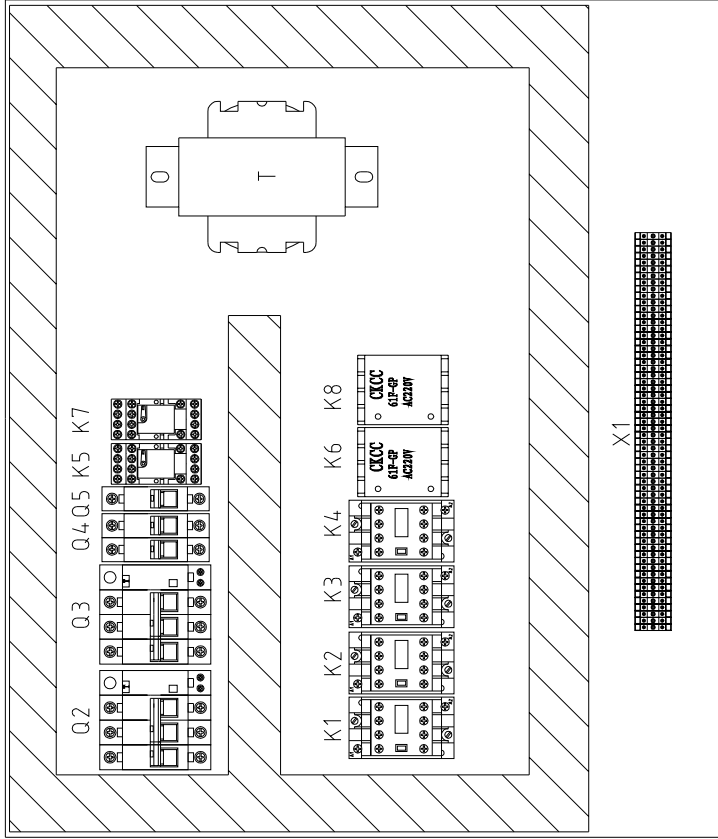
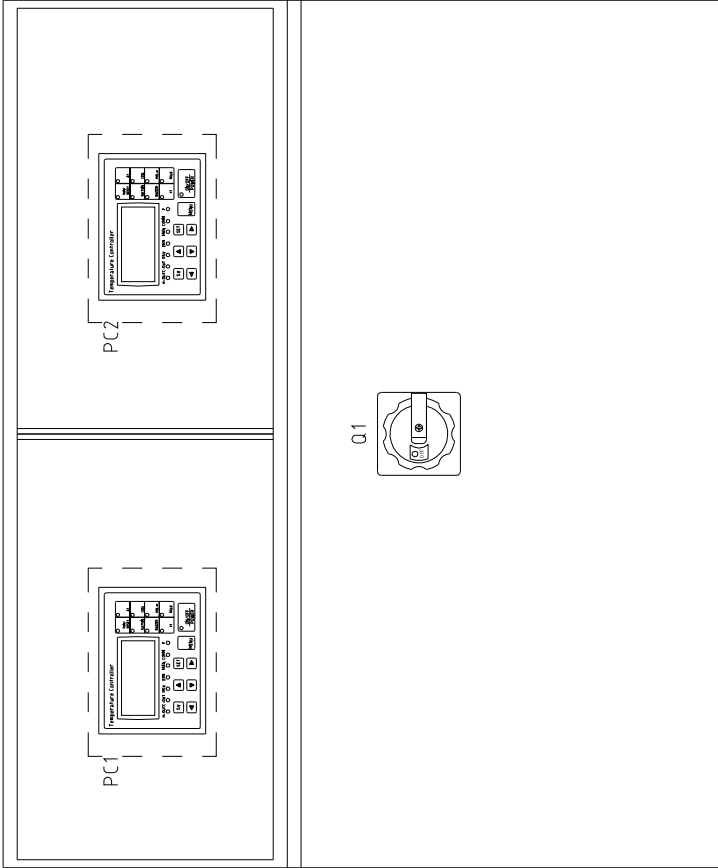


1 2 3 4 5 6 7 8

A

B

C



版本 Ver.D Technical requirements: Pump and pipe heater should be directly connected to the output terminals of contactor .

D	Mark	Before modification	Modified by	Modify date	Checked by	Proofread by	Designer	Drawer	Version	0	Title	STM-1220PW-D Electrical Components Layout		Drawing NO	STM-1220PW-D-CE-230V-0-4	Scale	Standard	CE	Page	4	
		After modification							Approved by		Date	20181114							Totally	7	
																				Voltage	230V
																				Frequency	50HZ



1 2 3 4 5 6 7 8

B

C

1	2		3	4	5	6	7	8
NO.	Symbol	Name	Manufacturer	Type	Specification	Number	Material number	Remark
1	Q1	Main power switch	EATON	P3-100/E4/SVB	100A	1	YE10010000000	
2	Q2 Q3	Circuit breakers	TECO	BM-63C/3050S	50A	2	YE40305003000	
3		Excitation release	TECO	MX	24V	2	YE40024000000	A
4	Q4	Circuit breakers	TECO	BM-63C/2003S 2P	3A	1	YE40200203000	
5	Q5	Circuit breakers	TECO	BM-63C/1006S 1P	6A	1	YE40100600100	
6	K1 K2	Contactors	SIEMENS	3RT16015-1AB01	24V 50/60HZ	2	YE00601502500	
7	K3 K4	Contactors	SIEMENS	3RT16028-1AC20	24VAC	2	YE00602802600	
8	K5 K7	Middle relay	WEIDEMILE	GR-2C-AC24V	24VAC 50/60HZ	2	YE03022400300	
9	K6 K8	Water level relay	JINDONG	C61F-GP	230VAC 50HZ	2	YE02612200000	
10	T	Transformer	JIUXIN	IN=230/200V OUT=24VAC	120VA	1	YE70023004500	
11	PC1 PC2	Circuit board	YUYUN	TM-01-PW 220VAC	180~430V 50/60HZ	2	YE81122000900	B
12	S1 S11	Thermocouple	SHINI	----	----	2	----	(1)
13	S2 S3 S12 S13	Thermocouple	SHINI	----	----	4	----	(1)(2)
14	S4 S8	Overheat protector	----	----	----	2	----	(1)
15	S5 S9	LO pressure switch	----	----	----	2	----	(1)
16	S6 10	HI pressure switch	----	----	----	2	----	(1)
17	S7 S14	Water level probe	----	----	----	2	----	(1)
18	S15	Communication interface board RS-485 (double Dsub-9pin connector)	YUYUN	----	----	1	YE90048501200	
19		Shell RS485(SAL-700G-A-19)0	BINCHENG	----	----	1	YR40048500000	C
20	X1	Terminal board	HONEYWELL	SK2.5	2.5mm ²	30	YE60002503200	
21		Terminal board	HONEYWELL	GK2.5PE	2.5mm ² PE	12	YE60002503400	
22		Terminal board	HONEYWELL	GK6PE	6.0mm ² PE	2	YE60000603500	
23		Terminal board	HONEYWELL	GK35	35.0mm ²	3	YE60003503200	
24		Terminal board	HONEYWELL	GK35PE	35.0mm ² PE	1	YE60003503500	
25	Y1 Y2 Y3 Y4	Solenoid valve	----	----	24VAC 50/60HZ	4	----	(1)
版本								
Ver.D			Title		Drawing NO		Scale	
			STM-1220PW-D		STM-1220PW-D		Standard	
			Electrical Components list 1		STM-1220PW-D-CE-230V-0-6		CE	
			Version		Page		Pages	
			0		6		7	
			Approved by		Voltage		Frequency	
					230V		50HZ	
Mark			Before modification		Modified by		Modify date	
					20181114			
1			2	3	4	5	6	7
1			2	3	4	5	6	7
1			2	3	4	5	6	7

Notes: (1)Means it's not the material inside the control box (2)Means equipped with function of displaying water outlet and return water temperature.



