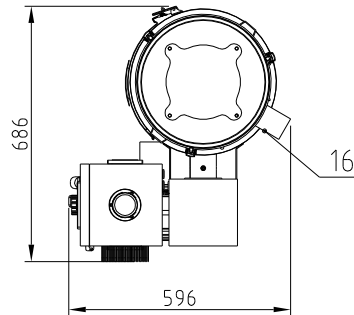
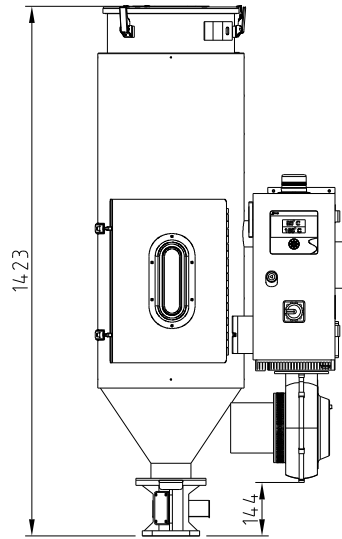
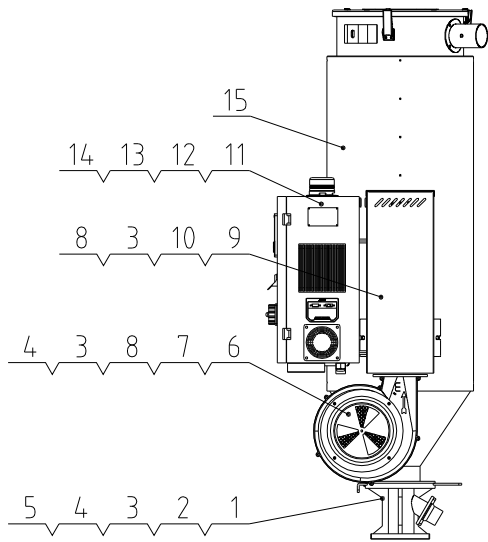


Blower power	Heater power	Capacity	Ver.
0.12kW	3kW	80U	Ver.F

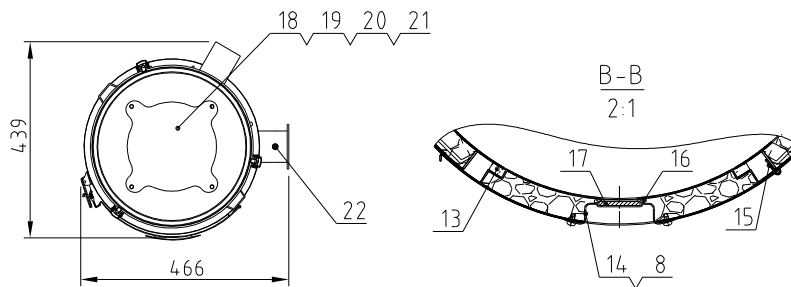
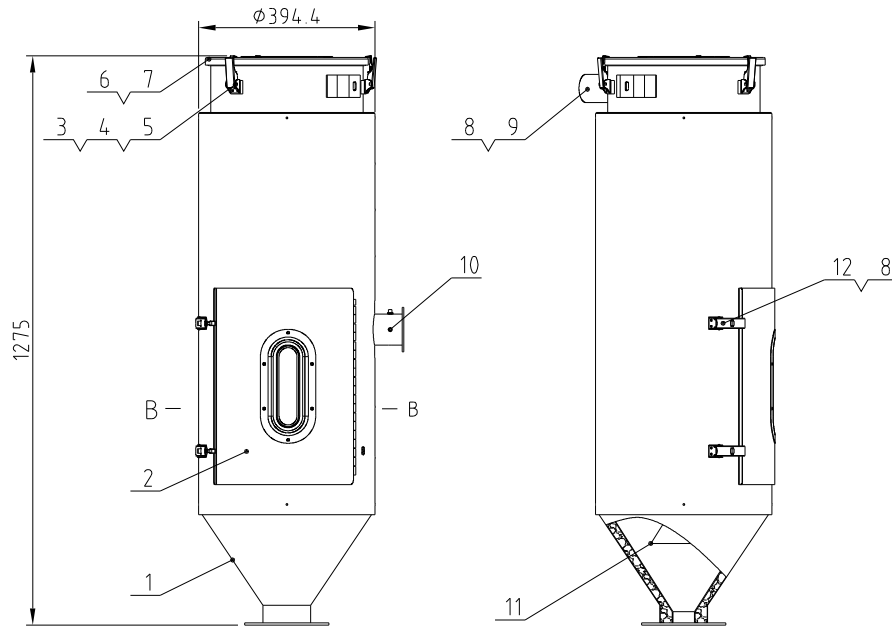


• means possible broken parts.
 •• means easy broken part, and spare backup is suggested.
 Please confirm the version of manual before placing the purchase order to guarantee that the item number of the spare part is in accordance with the real object.

16	YE90054001300	Thermocouple 9404091.31 (SH-1200-12 Tube type A version		1	
15	SHD-80U-EC-A-ALL	Insulated hopper assembly		1	
14	YW66061300000	Flat washer A grade GB/T97.1 6-Longzine		4	
13	YW65006000100	Standard spring washer GB/T93 6-Longzine		4	
12	YW60061500100	Hexagon screw bolt GB/T5783 M6x16-12.9-Longzine		4	
11	SHD-80U-EC-B-ALL	Control box assembly		1	
10	YW66081900000	Flat washer 8x19x2.0Longzine		2	
9	SHD-80U-EC-C-ALL	Heating case assembly		1	
8	YW60082500100	Hexagon screw GB/T5783 M8x25-12.9-Longzine		6	
7	YR10151200000	Hex nut DIN 914 M8x1.25-12.9-Longzine		1	
6	BM40030000150	TD-20/blower 3" 3#300/400/50/500 (T1750mm)		1	
5	YW64080600000	Hexagon nut GB/T6170 M8-Longzine		4	
4	YW66081600000	Flat washer A grade GB/T97.1 (R.44)6x1.6-Longzine		8	
3	YW65008000100	Standard spring washer GB/T93 8-Longzine		10	
2	YW60083500000	Hexagon screw bolt GB/T5781 M8x35-4.8-Longzine		4	
1	BY10005030350	Base		1	

序号	代号	名称	材质	数量	备注
----	----	----	----	----	----

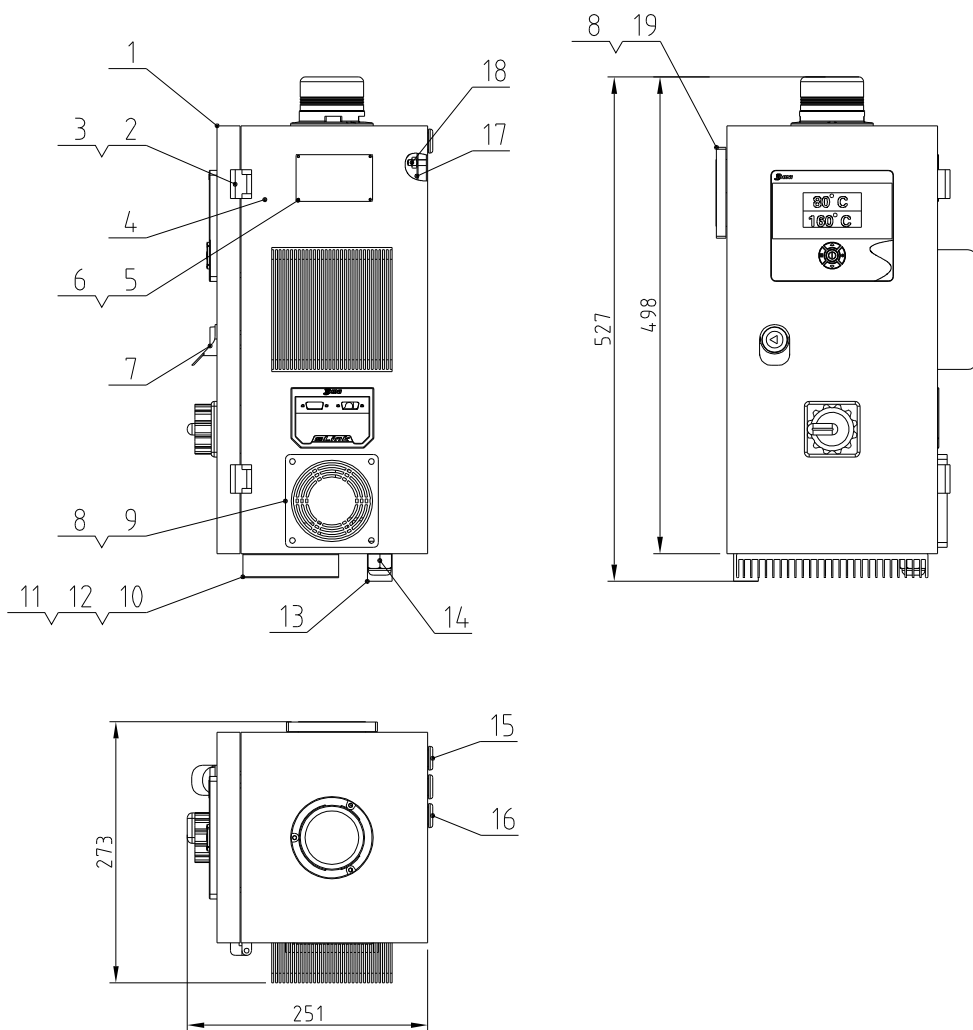
					制图	版号	TZ-0	标题	SHD-80U-EC	图号	SHD-80U-EC-ALL	比例	1:18	数量	1
					设计	核			欧化自适应节能干燥机				材质	/	
					校对	准			信易電熱機械股份有限公司 Shini Plastics Technologies, Inc.			表面要求	/		
标记	更改前	更改后	更改人	日期	审核	日期	2024.0103					物料号	/		



• means possible broken parts.
 ** means easy broken part, and spare backup is suggested.
 Please confirm the version of manual before placing the purchase order to guarantee that the item number of the spare part is in accordance with the real object.

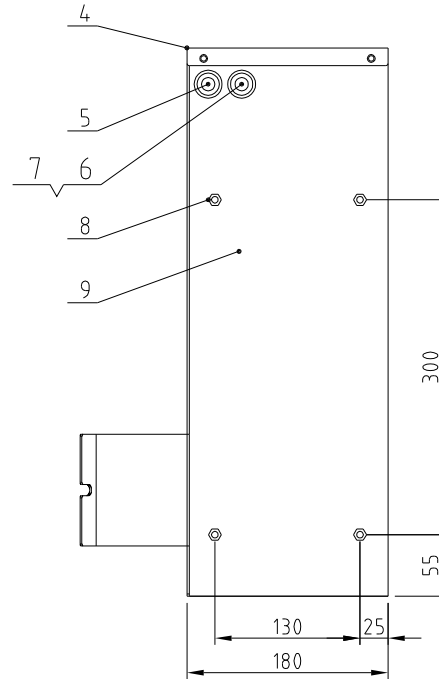
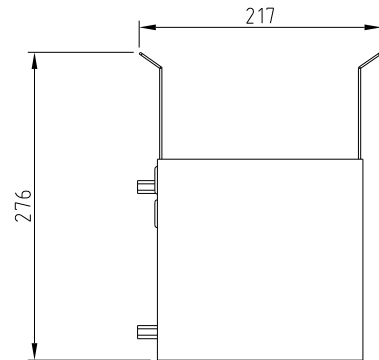
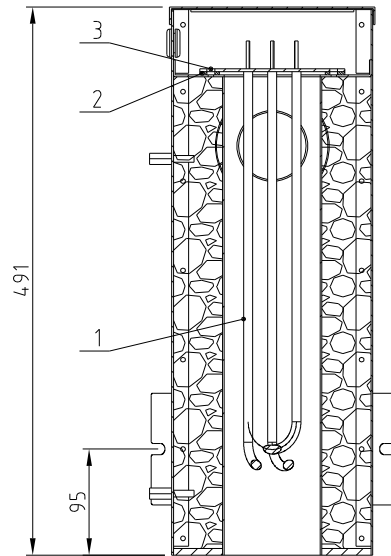
22	YE90054001300	Thermocouple 940004-32 (SH-1201-12 This type A version)		1	
21	YW66081600000	Flat washer A grade GB/T97.1 (Q. 44161.6) Longzine		4	
20	YW65008000100	Standard spring washer GB/T93 8-Longzine		4	
19	YW60083000200	Hexagon screw bolt GB/T5783 M6x20-8.8-Longzine		4	
18	BL02803700120	Inlet sealing plate SHD-80U-A-37		1	
17	YW70008000000	Sight glass MHD-80U-A-10 (Ver. 0)		1	*
16	YR10008001300	Sight-glass fastener MHD-80U-12 (Ver. 0) (with mold)		1	
15	YW62041000000	Large cross socket flat head screw JIS1111 M6x10-Longzine		7	
14	BL02080002020	The rising window MHD-80U-01 (version 0) has a mold		1	
13	YR10800800900	Clamping bar fastener MHD-80U-01 (Ver. 0) flat silicon with a diameter of 30 mm		1	
12	YW09060200100	Adjustable buckle (with safety) mold M8000 iron plated blue zinc		2	
11	SHD-80U-EC-A-02	Down-blow pipe		1	
10	YW68081000000	Inner hex. flat end lock screw GB/T77 M6x10-Longzine		3	
9	MHD-80U-A-09	Air exhaust pipe		1	
8	YW62051000000	Large cross socket flat head screw JIS1111 M6x12-70(SS)		12	
7	YR10005000100	Cover fastener SHD-80 white silica gel (has mold)		1	
6	SHD-80U-EC-A-03	Hopper cover		1	
5	YW64040700100	Metal insert hex lock nut GB/T6891.1 4 Anti-loosening		6	
4	YR40000600800	Snap hook plastic pad SAL-60 (white) (has mold)**		3	
3	YW02003000400	Spring buckle adjustable SAL-60-A-35 (Ver. C)		3	
2	SHD-80U-EC-A-04	External cleaning door		1	
1	SHD-80U-EC-A-01	Material storage tank		1	
序号	代号	名称	材质	数量	备注

					制图	版号	TZ-0	标题	SHD-80U-EC	图号	SHD-80U-EC-A-ALL	比例	1:15	数量	1
					设计	核准			保温材料桶组件				材质	/	
					校对							表面要求	/		
标记	更改前	更改后	更改人	日期	审核	日期	2024.0103		信易电热机械股份有限公司	Shini Plastics Technologies, Inc.	物料号	/			



19	YM60922500200	Hex. In 1/2-20x1/4" (black) flat head screw with plastic cap		1	
18	YW64000600300	Hexagonal nut GB/T6170 M6-Longzine		4	
17	SHD-80U-EC-B-03	Base plate of control box	SECC1.5	1	
16	YR30000000200	Rubber plug 3/8"(SD)-20(1-4) (Duty1 Rubber) (black)		1	
15	YR30000000100	Rubber plug 3/8"(SD)-20(1-3) (Duty1 Rubber) (black)		2	
14	YE67201500100	Copper nickel-plated cable joint U72-20M4, SP, 5-6C for Cable		1	
13	YE67013500700	Quick connector of hose WQ1-P13, 5B/AD18, 5		1	
12	YW61041000100	cross socket counter sink head screw C819 M4x10-Longzine		4	
11	YW63040600000	cross recessed pan head screw C817-418 M4x10-Longzine		4	
10	YW90120700000	Aluminum cooler SD-40H-ALL-28 (Ver. A) (black)		1	
9	YR40090900000	Exhaust fan 3-in-1 dust-proof plastic screen 9#		1	
8	YW62050500000	Large cross socket flat head screw J5111 M6x-Longzine		8	
7	YW00816100000	Door lock (MS816-1 blk. with key)		1	
6	YW69020500000	Rivet GB/T 827 2x5		4	
5	YP30804900700	Aluminum plate sample (small), assembly used by the group, 10 * 8mm		1	
4	SHD-80U-EC-B-01	Control box	SPCC1.2	1	
3	YW62041000000	Large cross socket flat head screw J5111 M6x-Longzine		8	
2	YW06219200100	Hinge (right) CL219-2 Black		2	
1	SHD-80U-EC-B-02	Control box door	SPCC1.2	1	
序号	代号	名称	材质	数量	备注

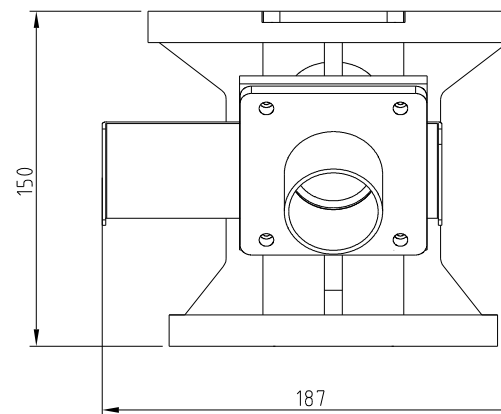
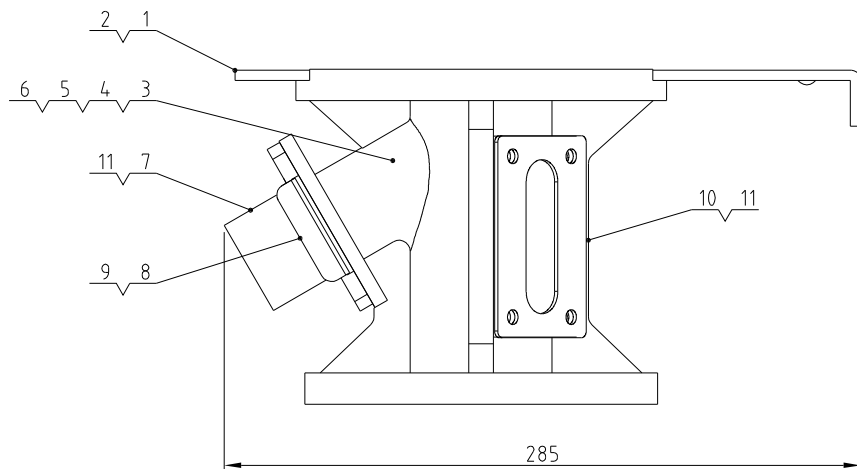
					制图	版号	TZ-0	标题	SHD-80U-EC 控制箱组件	图号	SHD-80U-EC-B-ALL	比例	1:7	数量	1
					设计	核							材质	/	
					校对	准						表面要求	/		
标记	更改前	更改后	更改人	日期	审核	日期	2024.07.10		信易電熱機械股份有限公司 Shini Plastics Technologies, Inc.			物料号	/		



9	SHD-80U-EC-C-01	Heating box		1	
8	YW60620100000	Stainless steel hexagonal nuts and female screw M6*20(304)		4	
7	BE85018000150	Hydrophobic Polyethylene (PE) Hexamer (50, no high (4) food grade anti pad)		1	
6	YR300000000200	Rubber plug SHD-80U-200-A-40(Dirty) (Rubber) (Black)		1	
5	YR300000000100	Rubber plug SHD-80U-200-A-30(Dirty) (Rubber) (Black)		1	
4	SHD-80U-EC-C-02	Heating box cover	SPCC1.5	1	
3	YW62051000100	Large cross socket flat head screw JIS1111 Hex10-Longline		8	
2	YR10001200600	Blower fan motor SHD-25-4L-40(Hex. 4)white silicone gel (low noise)		1	
1	BH70250302150	Pipe heater SHD-25-B-03 3KW/3Φ400V		1	

序号	代号	名称	材质	数量	备注
----	----	----	----	----	----

					制图	版号	TZ-0	标题	SHD-80U-EC	图号	SHD-80U-EC-C-ALL	比例	1:6	数量	1
					设计	核			加热箱组件				材质	/	
					校对	准						表面要求	/		
标记	更改前	更改后	更改人	日期	审核	日期	2024.0103		信易电热机械股份有限公司	Shini Plastics Technologies, Inc.	物料号	/			



11	YW62051500000	Cross socket flat-head screw JIS1111 M6x16-Longline	8		
10	YR90854800000	Four hole eight glass 85*85*20(20-12+40) (Version 0) Material PC	1	*	
9	YW69616100000	Hand screw M6*16*16	1		
8	YW09125000000	Small shut-off plate 20-50-16*16 (Version 0) (has mold)	1		
7	BA10500300110	Washing pot 20-50-16*16 1 version (has mold) (has mold)	1		
6	YW66082200100	Large washer C grade 60/7560 (R. 4x24x2) -Longline	4		
5	YW65008000100	Standard spring washer GB/T93 8-Longline	4		
4	YW60083500000	Hexagon screw bolt GB/T5781 M6x35-3, 8-Longline	4		
3	BA20500100110	Small shut-off plate 20-50-16*16 (Version 0) (has mold) (has mold)	1		
2	YW61061001800	Inner hexagon cylinder screw GB/T 1001.1 M6x10-12-70(S/S)	1		
1	YW09255000000	Large shut-off plate 20-50-16*16 (ver. 0) (has mold)	1		
序号	代号	名称	材质	数量	备注

* means possible broken parts.
 ** means easy broken part, and spare backup is suggested.
 Please confirm the version of manual before placing the purchase order to guarantee that the item number of the spare part is in accordance with the real object.

					制图	版号	0	标题	HB-50	图号	HB-50-A-ALL	比例	1:3	数量	1
					设计	核准		标准底座					材质	/	
					校对				信易電熱機械股份有限公司		表面要求	/			
标记	更改前	更改后	更改人	日期	审核	日期	2024.07.25		Shini Plastics Technologies, Inc.		物料号	BY1005030350			