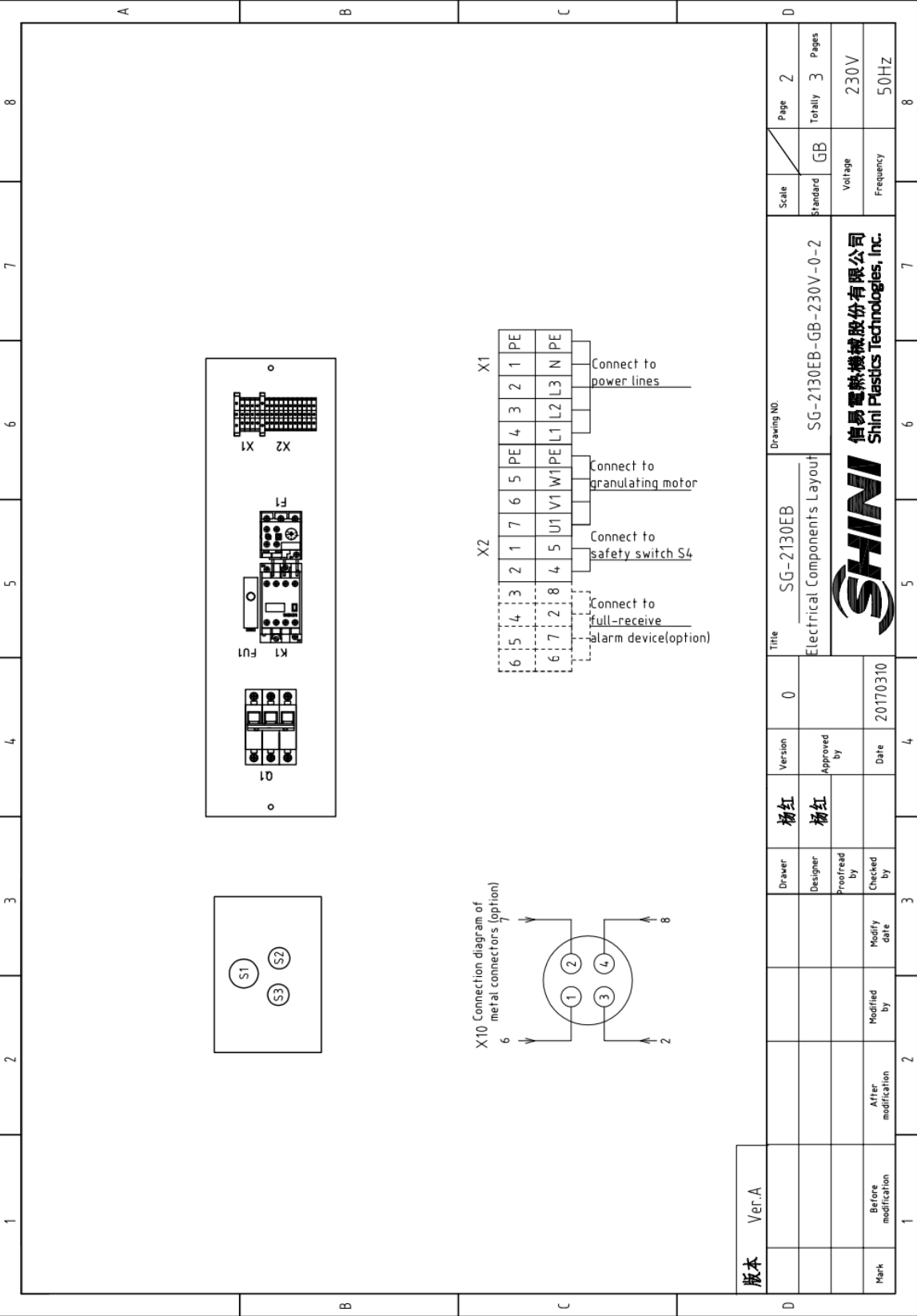


版本	Ver.A
Mark	Before modification
Mark	After modification
Mark	Modified by
Mark	Modify date
Mark	Checked by
Mark	Date
Mark	20170310
Mark	Approved by
Mark	设计师
Mark	校核
Mark	校核
Mark	Version
Mark	0
Mark	0

Drawing No.	SG-2130EB
Title	SG-2130EB-GB-230V-0-1
Main Circuit Diagram and Control Circuit Diagram	
	
<b>SHINI</b> 信易電熱機械股份有限公司 Shini Plastics Technologies, Inc.	

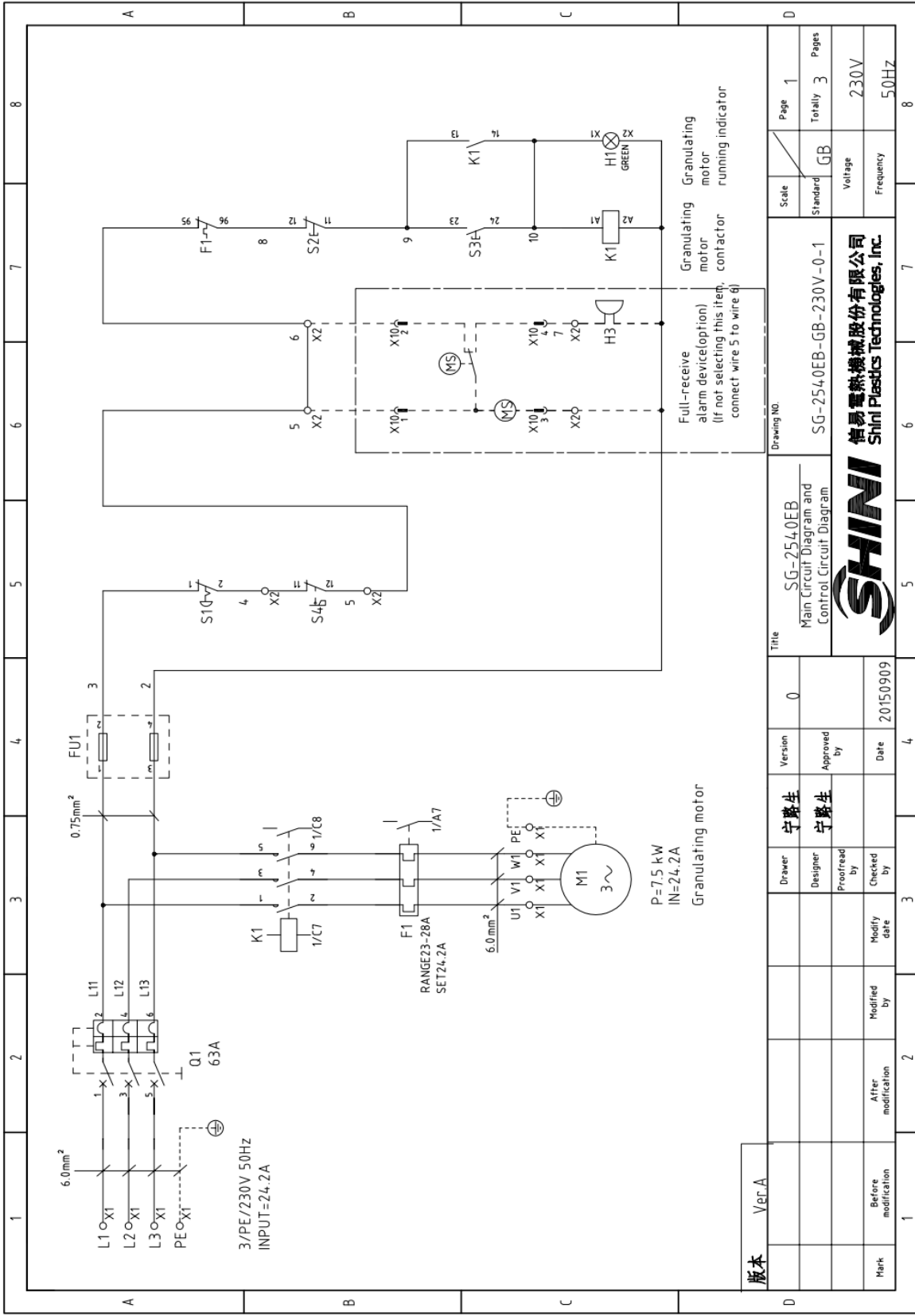
Scale	Standard	Page	1
Standard	GB	Totally	3
Voltage		Frequency	230V
Frequency			50HZ




版本 Ver.A

Mark	Before modification	After modification	Modified by	Modify date	Checked by	Date	20170310
			杨红		杨红		
Drawer	杨红	Version	0	Title	SG-2130EB		
Designer	杨红	Approved by		Electrical Components Layout		Drawing NO. SG-2130EB-GB-230V-0-2	
Scale	GB	Page	2	Standard		Totally	3
		Voltage	230V	Frequency		50Hz	

**SHINI**  
 信易电热机械股份有限公司  
 Shini Plastics Technologies, Inc.



版本 Ver.A

Mark	Before modification	Modified by	Modify date	Checked by	Date	Version	0	Title	SG-254.0EB	Drawing NO.	Standard	Scale	Page 1
	After modification				20150909		Approved by		0		Main Circuit Diagram and Control Circuit Diagram		GB
 <b>信易電熱機械股份有限公司</b> Shini Plastics Technologies, Inc.										Voltage		230V	
										Frequency		50Hz	

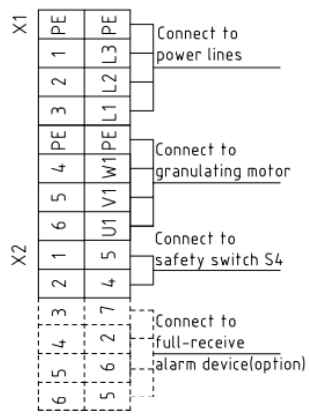
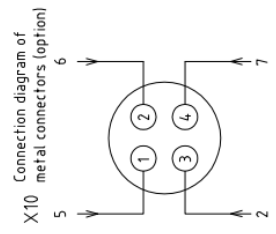
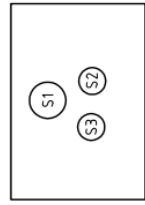
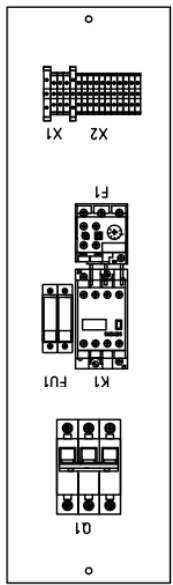
1 2 3 4 5 6 7 8

A

B

C

D

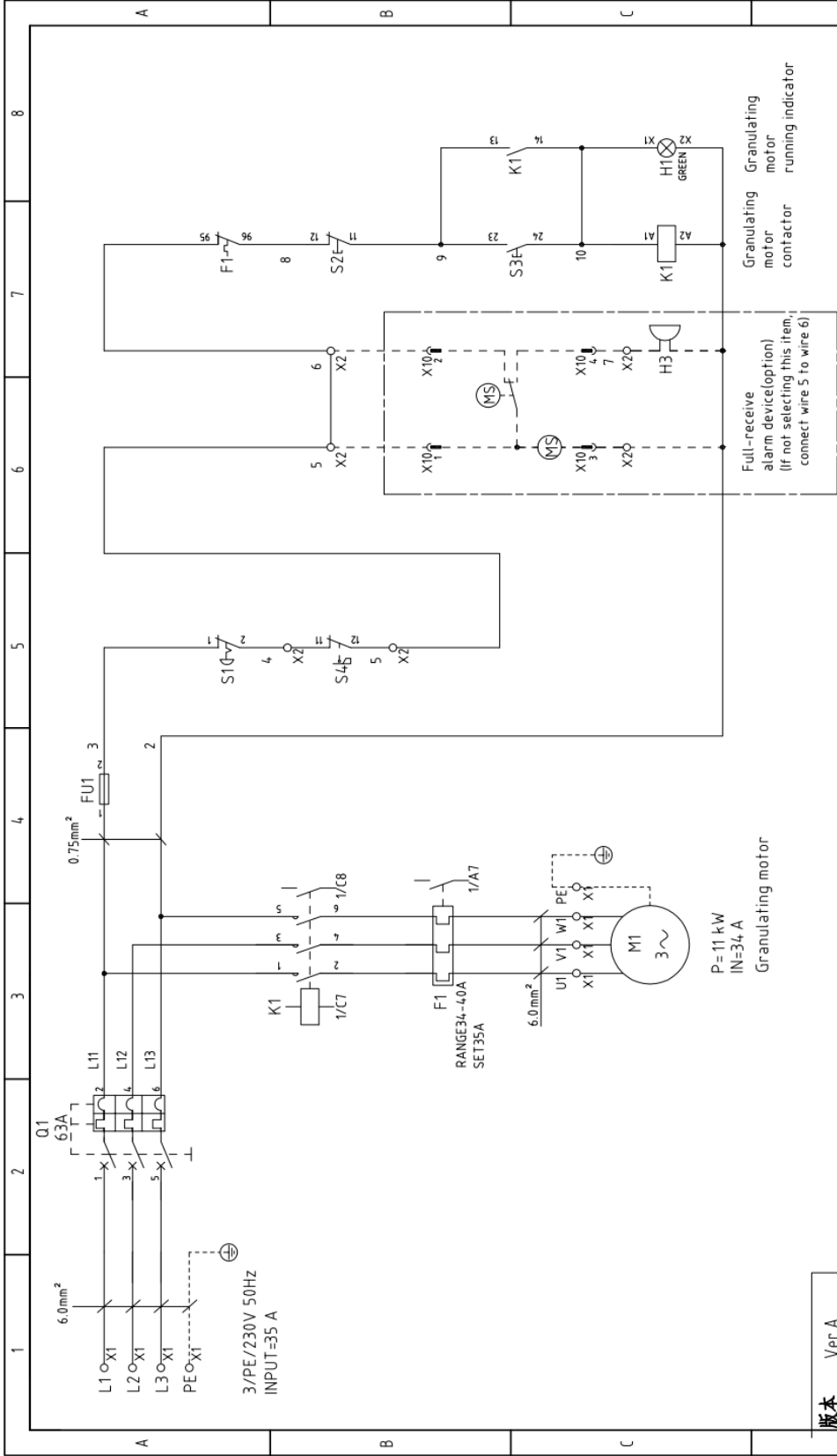


版本 Ver.A

Scale	Standard	Page	2
Standard	GB	Totally	3
Voltage	230V	Pages	50HZ
Frequency	50HZ		
Drawing NO.		SG-2540EB-GB-230V-0-2	
Title		Electrical Components Layout	
Version		0	
Drawer	宁路生	Approved by	宁路生
Designer	宁路生	Date	20150909
Proofread by		Modify date	
Checked by		After modification	
Mark	Before modification	Modified by	

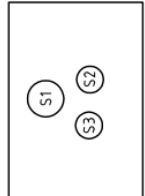
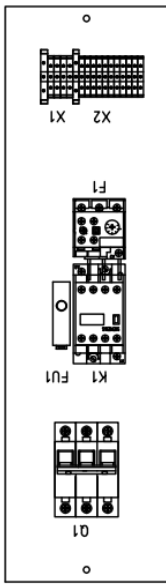


1 2 3 4 5 6 7 8

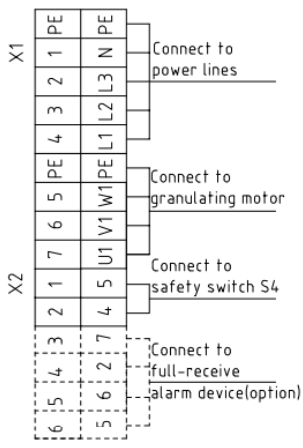
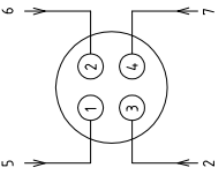


版本 Ver.A

Drawing NO		Scale		Page 1	
Title		Standard		Totally 3	
SG-2950EB		GB		Voltage	
Main Circuit Diagram and Control Circuit Diagram		SG-2950EB-GB-230V-0-1		Frequency	
SHINI 信易電熱機械股份有限公司		Voltage		230V	
SHINI		Frequency		50Hz	
Version	0	Scale		Page	1
Approved by		Standard	GB	Totally	3
Date	20170310	Voltage	230V	Frequency	50Hz
Checked by		Page	1		
Modified by					
After modification					
Before modification					
Mark					



X10 Connection diagram of metal connectors (option)



版本 Ver.A

Scale	Page	2	8
Standard	Totally	GB	3
Voltage	Frequency	230V	50Hz
Title		Drawing NO.	
SG-2950EB		SG-2950EB-GB-230V-0-2	
Electrical Components Layout			
Version	Approved by	Date	
0	宁路生	20170310	
Drawer	Designer	Proofread by	Checked by
	宁路生		
Modified by	Modify date	After modification	Before modification
Mark			



## Electrical Components List(230V)

SG-2130 EB					
NO.	Symbol	Name	Specification	Part NO.	Note
1	Q1	Circuit braker *	40A	YE40304003000	-
2	K1	Contactore**	220VAC 50/60Hz	YE00602722000	-
3	F1	Thermo overload relay	17~22A	YE01260170000	-
4	FU1	Fuse **	2A	YE41001000000	-
5	X1	Terminal board	4.0mm <sup>2</sup>	YE60002503200	-
6			4.0mm <sup>2</sup> PE	YE60002503500	-
7	X2	Terminal board	2.5mm <sup>2</sup>	YE60002503200	-
8			2.5mm <sup>2</sup>	YE60002503400	Option
9	H3	Buzzer	220VAC	YE84222000000	Option
10	S1	Emergency stop button	1NC	YE11411000000	-
11	S2	Stop button	1NC	YE11113100000	-
12	S3,H1	Start button	1NO	YE11100100000	-
13	S4	Safety switch	AZ-15	YE16147600100	-
14	MS	Materia level switch	220VAC	YE15000200100	Option
15	X10	Metal joint	4P	YE68025400000	Option
16			4P	YE68025400100	Option
17	M1	Granulating motor	230V 50Hz	-	-
18		Cable 4.0x5Cx4M	BA	BE51040500250	-

\* means possible broken parts. \*\* means easy broken part. and spare backup is suggested.

Please confirm the version of manual before placing the purchase order to guarantee that the item number of the spare part is in accordance with the real object.

SG-2540 EB					
NO.	Symbol	Name	Specification	Part NO.	Note
1	Q1	Circuit braker *	63A	YE40306303000	-
2	K1	Contactore **	220VAC 50/60Hz	YE00602822000	-
3	F1	Thermo overload relay	23~28A	YE01612620000	-
4	FU1	Fuse **	2P	YE41032200000	-
5		Fuse core**	2A	YE46002000100	-
6	X1	Terminal board	6.0mm <sup>2</sup>	YE61060000000	-
7			6.0mm <sup>2</sup> PE	YE61063500000	-
8	X2	Terminal board	2.5mm <sup>2</sup>	YE61250040000	-
9			2.5mm <sup>2</sup>	YE61250040000	Option
10	H3	Buzzer	220VAC	YE84222000000	Option
11	S1	Emergency stop button	1NC	YE11411000000	-
12	S2	Stop button	1NC	YE11113100000	-
13	S3,H1	Start button	1NO	YE11100100000	-
14	S4	Safety switch	AZ-15	YE16147600100	-
15	MS	Materia level switch	220VAC	YE15000200100	Option

16	X10	Metal joint	4P	YE68025400000	Option
17	-	-	4P	YE68025400100	Option
18	M1	Granulating motor	230V 50Hz	-	-
19		Cable 6.0x5Cx5M	BA	BE51060500250	-

\* means possible broken parts. \*\* means easy broken part. and spare backup is suggested.

Please confirm the version of manual before placing the purchase order to guarantee that the item number of the spare part is in accordance with the real object.

SG-2950 EB					
NO.	Symbol	Name	Specification	Part NO.	Note
1	Q1	Circuit braker *	63A	YE40306303000	-
2	K1	Contactore **	220VAC 50/60Hz	YE00602822000	-
3	F1	Thermo overload relay	30~36A	YE01612630000	-
4	FU1	Fuse **	2A	YE41001000000	-
5	X1	Terminal board	6.0mm <sup>2</sup>	YE60000603200	-
6			6.0mm <sup>2</sup> PE	YE60000603500	-
7	X2	Terminal board	2.5mm <sup>2</sup>	YE60002503400	-
8			2.5mm <sup>2</sup> PE	YE60002503400	Option
9	H3	Buzzer	220VAC	YE84222000000	Option
10	S1	Emergency stop button	1NC	YE11411000000	-
11	S2	Stop button	1NC	YE11113100000	-
12	S3,H1	Start button	1NO	YE11100100000	-
13	S4	Safety switch	AZ-15	YE16147600100	-
14	MS	Materia level switch	220VAC	YE15000200100	Option
15	X10	Metal joint	4P	YE68025400000	Option
16			4P	YE68025400100	Option
17	M1	Granulating motor	230V 50Hz	-	-
18		Cable 6.0x5Cx5M	BA	BE51060500250	-

\*means possible broken parts. \*\* means easy broken part. and spare backup is suggested.

Please confirm the version of manual before placing the purchase order to guarantee that the item number of the spare part is in accordance with the real object.