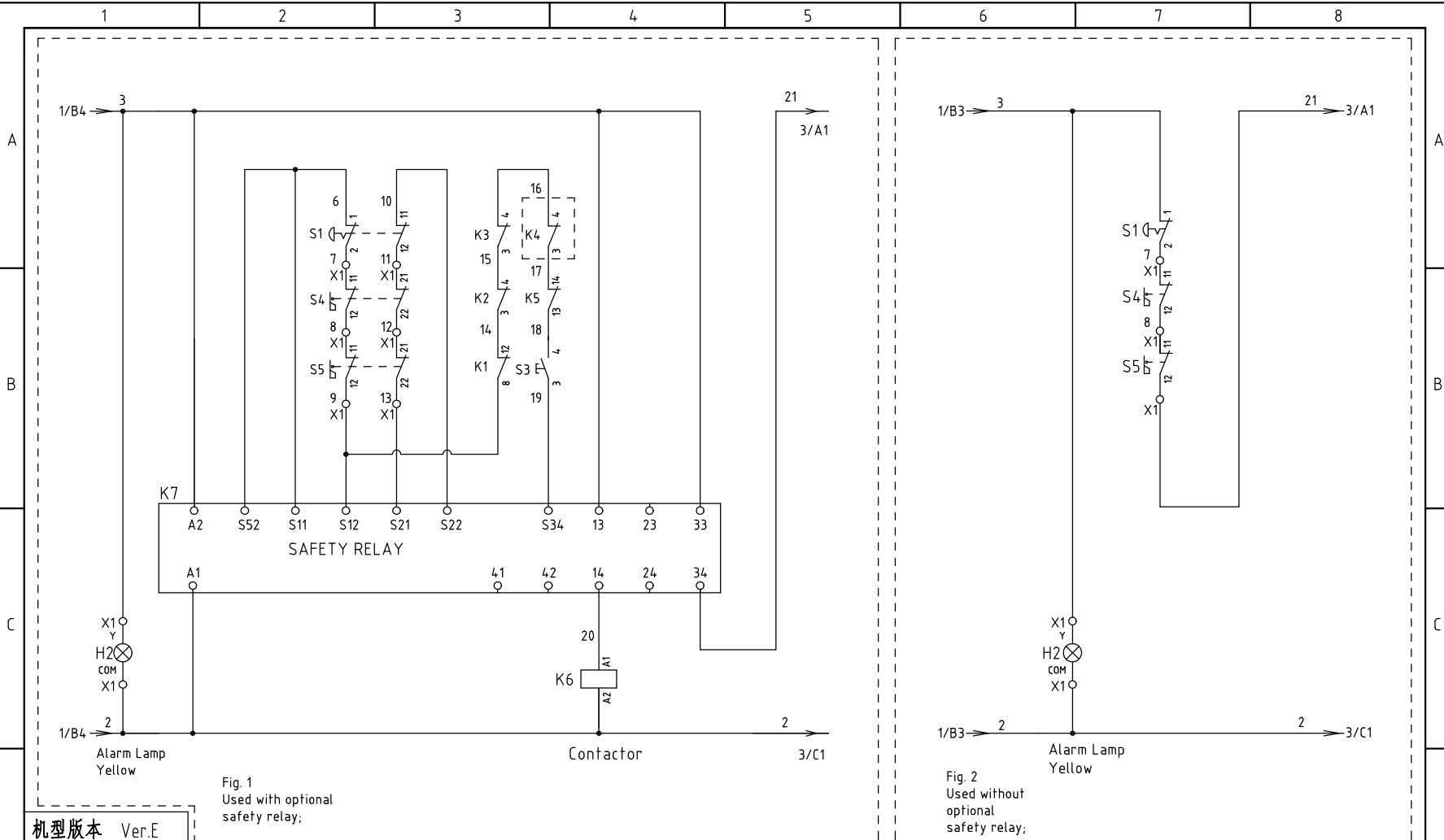


机型版本 Ver.E

Mark	Before modification	After modification	Modified by	Modify date	Checked by	Date	20210615

Title	SG-2417N 主电路图	Drawing NO.	SG-2417N-CE-400V-I-1	Scale	Page 1
				Standard	CE Totally 6 Pages
				Voltage	3Φ400V
				Frequency	50Hz



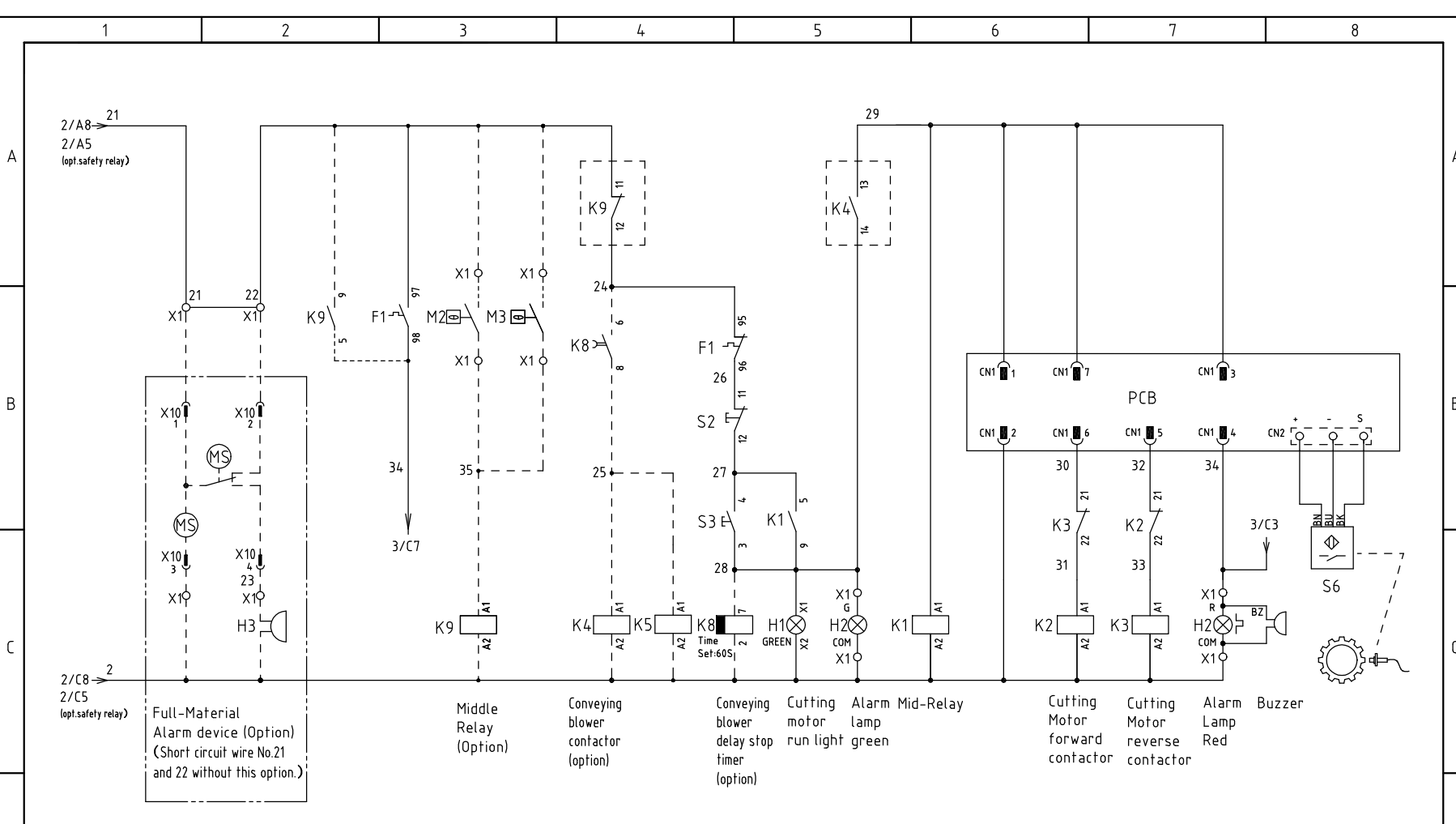


机型版本 Ver.E

Mark	Before modification	After modification	Modified by	Modify date	Checked by	Date	20210615
					Proofread by		
					Approved by		
					Designer		
					Drawer		
					Version	I	

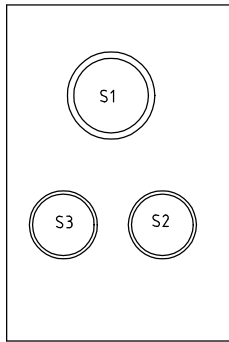
Title	SG-2417N 控制电路图一	Drawing NO.	SG-2417N-CE-400V-I-2	Scale		Page	2
				Standard	CE	Totally	6 Pages
				Voltage	3Φ400V		
				Frequency	50Hz		



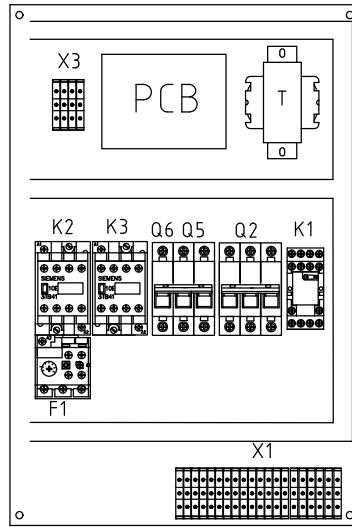
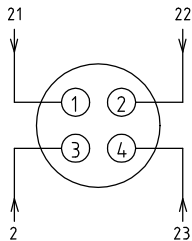


机型版本 Ver.E Notes: Options are in the dashed box. If there is no option, short circuit the line 2;

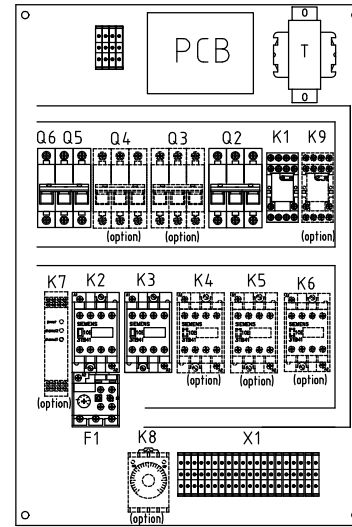
				Drawer	Version	I	Title	SG-2417N	Drawing NO.	Scale	Page	3
				Designer	Approved by		控制电路图二	SG-2417N-CE-400V-1-3	Standard	CE	Totally	6 Pages
				Proofread by	Checked by		信易電熱機械股份有限公司 Shini Plastics Technologies, Inc.	Voltage	3Φ400V			
Mark	Before modification	After modification	Modified by	Modify date	Date	20210615		Frequency	50Hz			



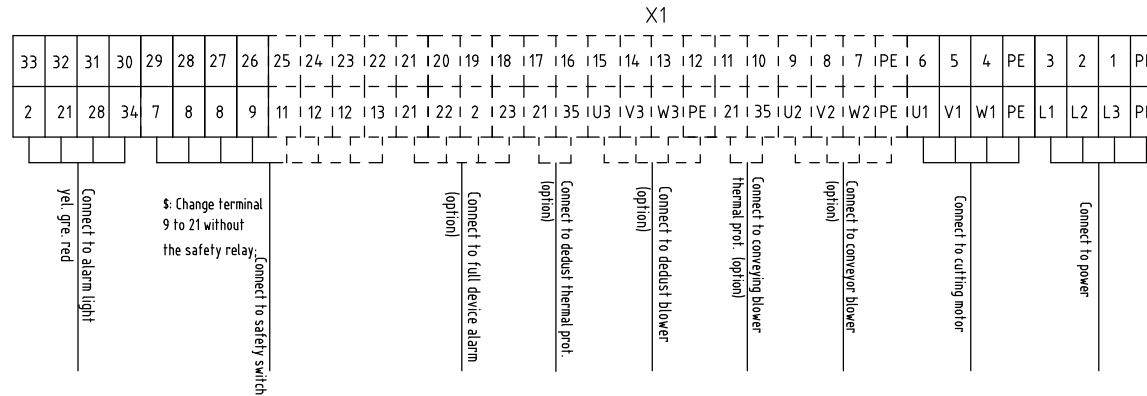
X10 Metal connector (option)



standard assembly drawing



optional assembly drawing



机型版本 Ver.E

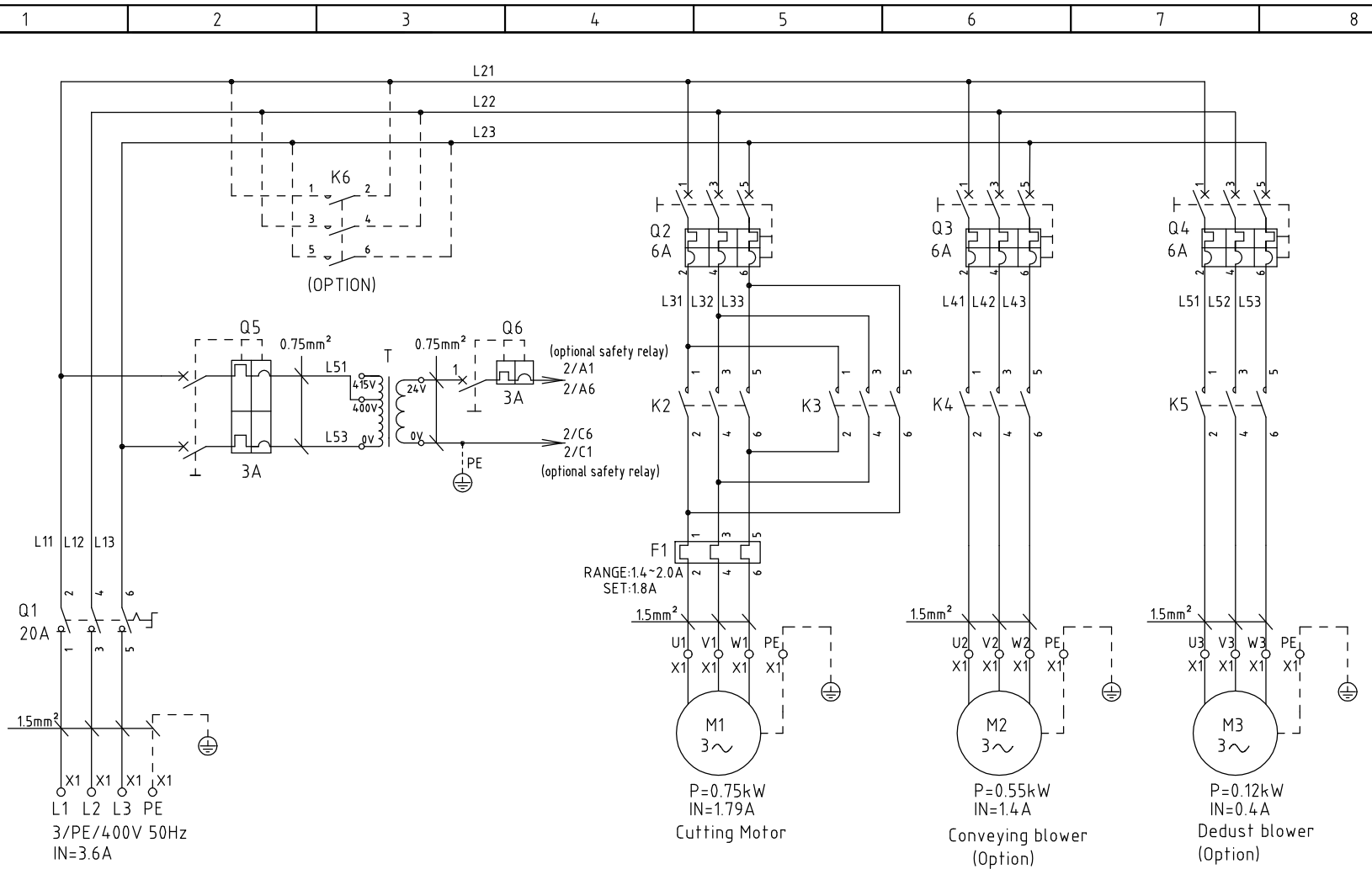
Mark	Before modification	After modification	Modified by	Modify date	Checked by	Date	20210615
					Drawer	Version	1
					Designer	Approved by	
					Proofread by	Date	

Title	SG-2417N	Drawing NO.	SG-2417N-CE-400V-1-4
电气元件布置图			
		信易电热机械股份有限公司 Shini Plastics Technologies, Inc.	

Scale	Page	4
Standard	CE	Totally 6 Pages
Voltage	3Φ400V	
Frequency	50Hz	


1		2		3		4		5		6		7		8						
NO.	Symbol	Name		Manufacturer		Type		Specification		Number	Material number		Remark							
	1	Q1	Main power switch		MOELLER		TO-2-1/EA/SVB		20A		1	YE10021160000		(1)						
A	2	Q2	Circuit breaker		TECO		BM-63C/3P		6A		1	YE40300603000								
	3	Q3	Circuit breaker		TECO		BM-63C/3P		6A		1	YE40300603000		(2)						
	4	Q4	Circuit breaker		TECO		BM-63C/3P		6A		1	YE40300603000		(3)						
	5	Q5	Circuit breaker		TECO		BM-63C/2003S 2P		3A		1	YE40200203000								
	6	Q6	Circuit breaker		TECO		BM-63C/1003S 1P		3A		1	YE40100203000								
	7	K1	Middle relay		Honeywell		GR-2C-AC24V		24VAC		1	YE03022400300								
	B	8	K2,K3	接触器/Contactor		SIEMENS		3RT6015-1AB02		24VAC 50/60Hz		2	YE00601502600		Cancel					
9		K2,K3	Contactor		SIEMENS		3RT6016-1AB02		24VAC 50/60Hz		2	YE00601602600		New						
10			Auxiliary contact		SIEMENS		3RH6911-1HA11		1NO+1NC		2	YE00691100100		(5)						
11		K4	Contactor		SIEMENS		3RT6015-1AB01		24VAC 50/60Hz		1	YE00601502500		(2)						
12			Auxiliary contact		SIEMENS		3RH6911-1HA11		1NO+1NC		1	YE00691100100		(2)(5)						
13		K5	Contactor		SIEMENS		3RT6015-1AB01		24VAC 50/60Hz		1	YE00601502500		(3)						
14		K6	Contactor		SIEMENS		3RT6016-1AB02		24VAC 50/60Hz		1	YE00601602600		(5)						
C	15	K7	Safety relay		PILZ		PNOZ×2.8P		24V AC/DC		1	YE04023000000		(5)						
	16	K8	Time relay		YUYUN		TRF-N 3min		24VAC 50/60Hz		1	YE86032400000		(2)						
	17	K9	Middle relay		HONEYWELL		GR-2C-AC24V		24VAC		1	YE03022400300		(2)(3)						
	18	F1	Thermal overload relay		SIEMENS		3RU6116-1BB0		1.4-2.0A		1	YE01160140000								
	19	T	Mutual transformer		BAIYUN		IN=400V/415V OUT=24V		80VA		1	YE70040006500								
	20	H2	3-color alarm light		SHINI		Red. gre. yel.+buzzer		24VAC 50/60Hz		1	BL90002401520		(1)						
	21	H3	Buzzer		TEND		EA-2		24VAC		1	YE84240200000		(1)(4)						
	22	S1	Emergency stop button		SCHNEIDER		XB2BS542C		400VAC		1	YE11254200000		(1)						
	23		Contact block		SCHNEIDER		ZB2BE102C		1NC		1	YE00210203100		(1)(5)						
D	24	S2	Stop button		SCHNEIDER		XB2BA22C		400VAC		1	YE11222000000		(1)						
	25	S3,H1	Start button (with light)		SCHNEIDER		XB2BW33B1C		24VAC		1	YE11233100000		(1)						
	机型版本 Ver.E		Notes:(1)Materials not in the control box;(2)Conveying blower assembly;(3)Dedust blower assembly;(4) Full- material alarm options; (5) Safety relay accessories;																	
D					Drawer		Version		I		Title		SG-2417N		Drawing NO.		Scale		Page 5	
					Designer		Approved by				电气元件明细表一		SG-2417N-CE-400V-I-5		Standard		CE		Totally 6 Pages	
					Proofread by		Date		20210615		 信易電熱機械股份有限公司 Shini Plastics Technologies, Inc.		Voltage		3Φ400V					
	Mark		Before modification		After modification		Modified by		Modify date				Checked by		Frequency		50Hz			
1		2		3		4		5		6		7		8						

1		2		3		4		5		6		7		8	
No.	Symbol	Name		Manufacturer		Type		Specification		Number	Material number		Remark		
26		Contact block		SCHNEIDER		ZB2BE101C		1NO		1	YE00210103100		(1)(5)		
27	S4,S5	Safety switch		SCHMERSAL		AZ 152VK-1476		AC-15		2	YE16147600100		(1)		
28	S4,S5	Safety switch		SCHMERSAL		AZ16-02ZVRK-1476		AZ-16		2	YE16147600000		(1)(5)		
29	PCB	Circuit board PCB		YUYUN		AC-01		24 VAC		1	YE80012400600				
30	S6	Sensor		DELIN		DL-12		24 VDC NPN		1	YE15122400000		(1)		
31	MS	Level sensor		----		SR-80		3A/24V		1	YE15802400100		(1)(4)		
32	X1	Terminal board		Honeywell		SK2.5		2.5mm ²		14	YE60002503200				
33				Honeywell		GK2.5PE		2.5mm ² PE		2	YE60002503400				
34				Honeywell		SK2.5		2.5mm ²		3	YE60002503200		(2)		
35				Honeywell		GK2.5PE		2.5mm ² PE		1	YE60002503400		(2)		
36				Honeywell		SK2.5		2.5mm ²		3	YE60002503200		(3)		
37				Honeywell		GK2.5PE		2.5mm ² PE		1	YE60002503400		(3)		
38				Honeywell		SK2.5		2.5mm ²		4	YE60002503200		(4)		
39				Honeywell		SK2.5		2.5mm ²		4	YE60002503200		(5)		
40	X10	Metal connector		----		PLT-254-PM		4P		1	YE68025400000		(1)(4)		
41				----		PLT-254-RF		4P		1	YE68025400100		(1)(4)		
42	M1	Granulating motor		----		----		400V 50Hz 0.75kW		1	-----		(1)		
43	M2	Conveying blower		----		----		400V 50Hz 0.55kW		1	-----		(1)(2)		
44	M3	Dedust blower		----		----		400V 50Hz 0.12kW		1	-----		(1)(3)		
机型版本 Ver.E		Notes:(1)Materials not inthe control box;(2)Conveying blower assembly;(3)Dedust blower assembly;(4) Full- material alarm options; (5) Safety relay accessories;													
					Drawer		Version	1	Title	SG-2417N	Drawing NO.	Scale		Page	6
					Designer		Approved by		电气元件明细表二	SG-2417N-CE-400V-I-6	Standard	CE	Totally	6	Pages
					Proofread by		Date	20210615	 信易電熱機械股份有限公司 Shini Plastics Technologies, Inc.			Voltage	3Φ400V		
Mark	Before modification	After modification	Modified by	Modify date	Checked by							Frequency	50Hz		
1		2		3		4		5		6		7		8	

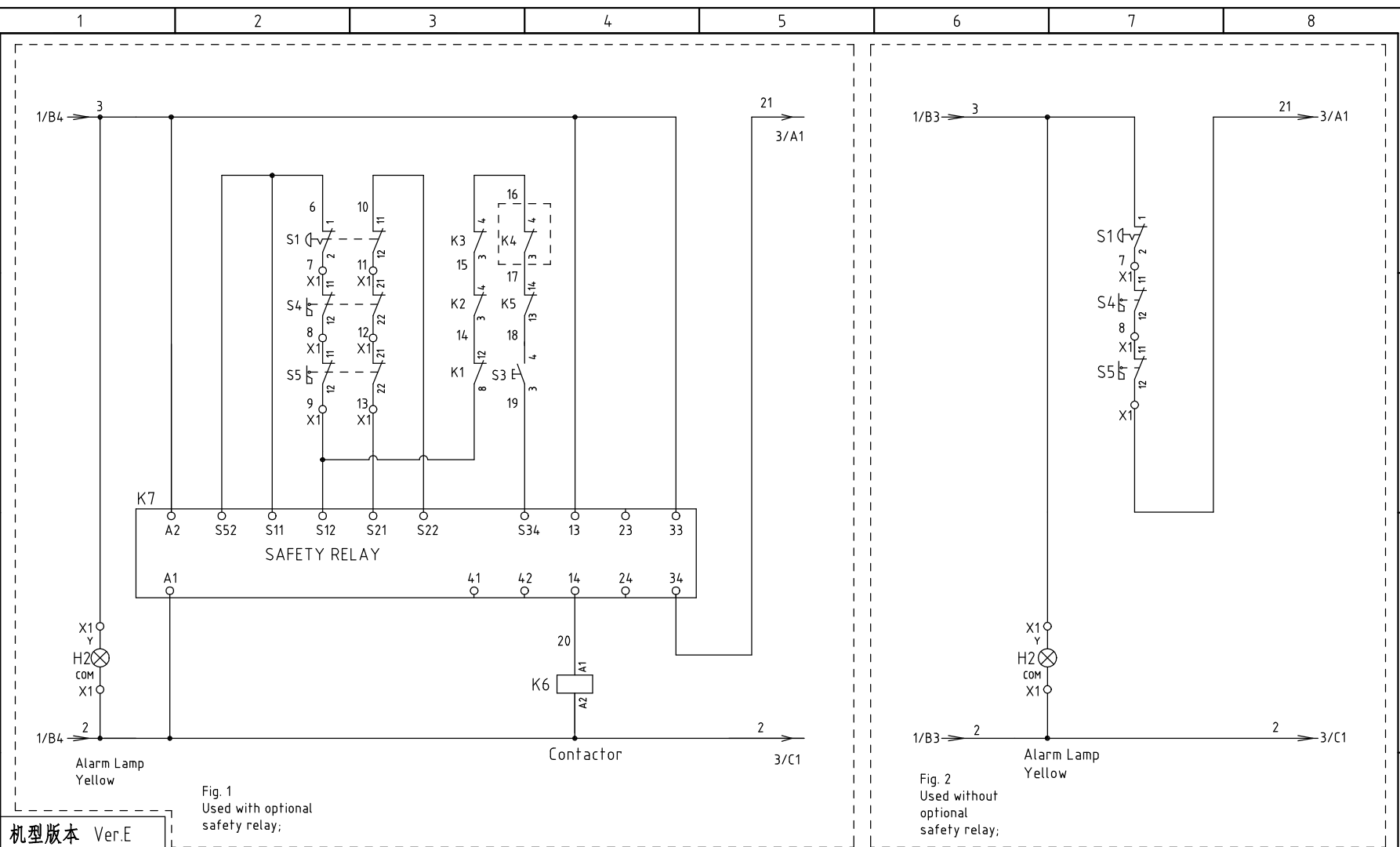


机型版本 Ver.E

Drawer	Version	I			
Designer	Approved by				
Proofread by	Date	20210615			
Mark	Before modification	After modification	Modified by	Modify date	Checked by

Title	SG-2427N 主电路图	Drawing NO.	SG-2427N-CE-400V-I-1
 信易電熱機械股份有限公司 Shini Plastics Technologies, Inc.		Scale	Page 1
		Standard	CE
		Voltage	3Φ400V
		Frequency	50Hz

1 2 3 4 5 6 7 8

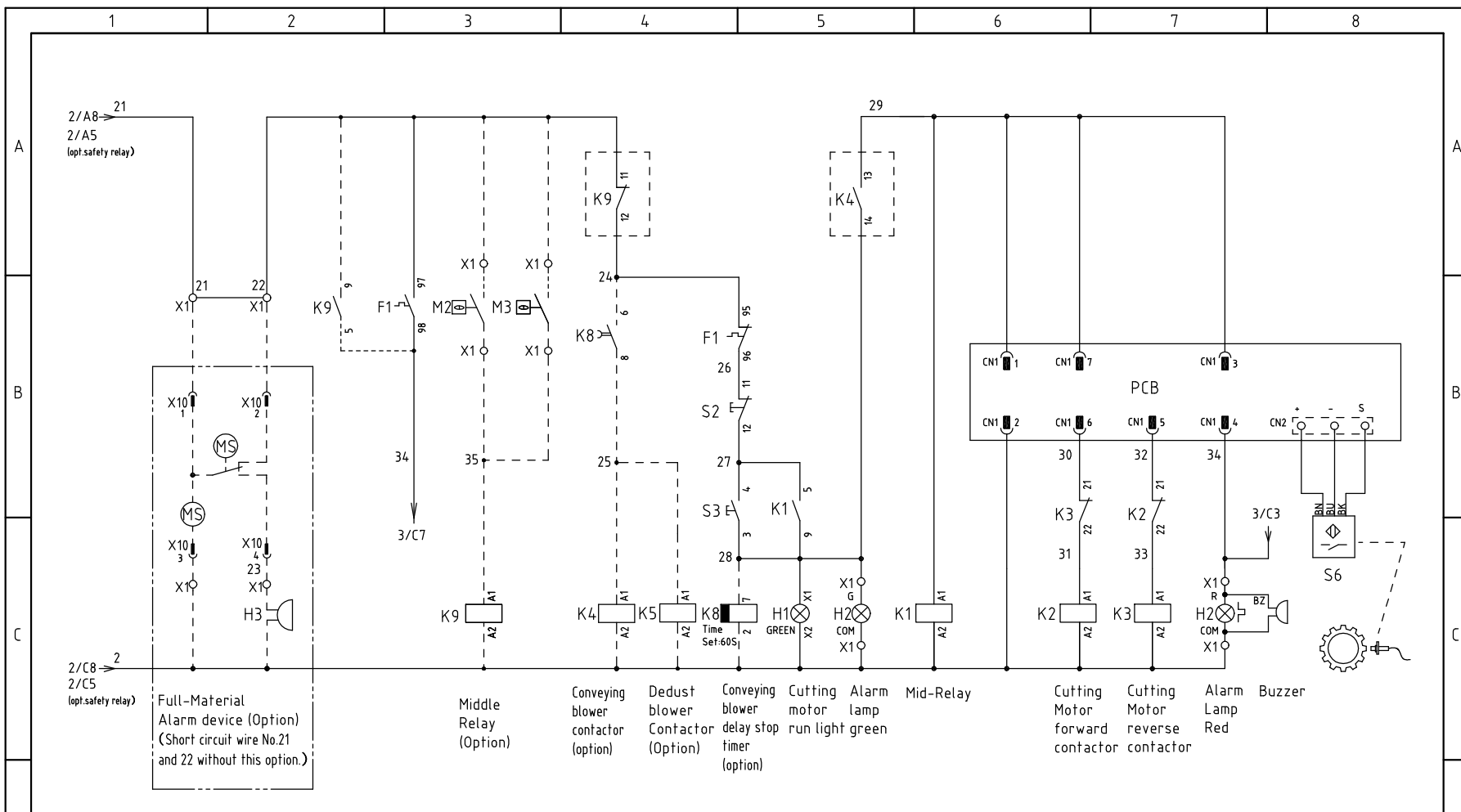


机型版本 Ver.E

Mark	Before modification	After modification	Modified by	Modify date	Checked by	Date	20210615
Drawer					Version	I	
Designer					Approved by		
Proofread by							

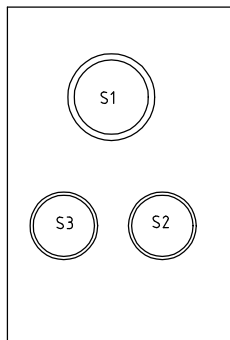
Title	SG-2427N 控制电路图一	Scale	Page 2
Drawing NO.	SG-2427N-CE-4.00V-I-2	Standard	CE
		Voltage	3Φ400V
		Frequency	50Hz
		Totally	6 Pages



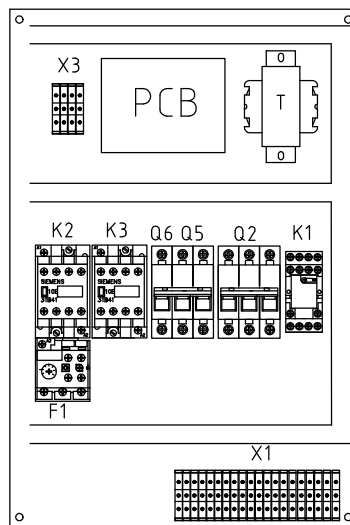
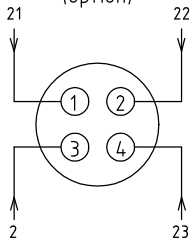


机型版本 Ver.E Notes: Options are in the dashed box. If there is no option, short circuit the line 2;

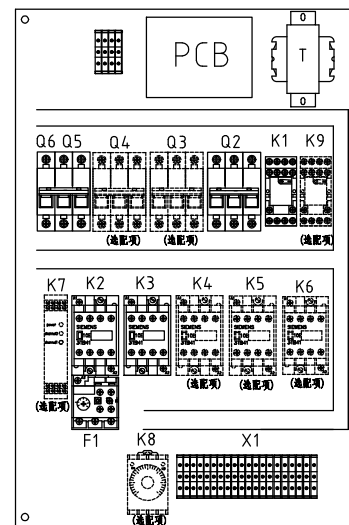
				Drawer	Version	I	Title	SG-2427N	Drawing NO.	Scale	Page	3
				Designer	Approved by		控制电路图二	SG-2427N-CE-400V-I-3	Standard	CE	Totally	6 Pages
				Proofread by	Date	20210615	信易電熱機械股份有限公司 Shini Plastics Technologies, Inc.		Voltage		3Φ400V	
Mark	Before modification	After modification	Modified by	Modify date	Checked by				Frequency		50Hz	
1	2	3	4	5	6	7	8					



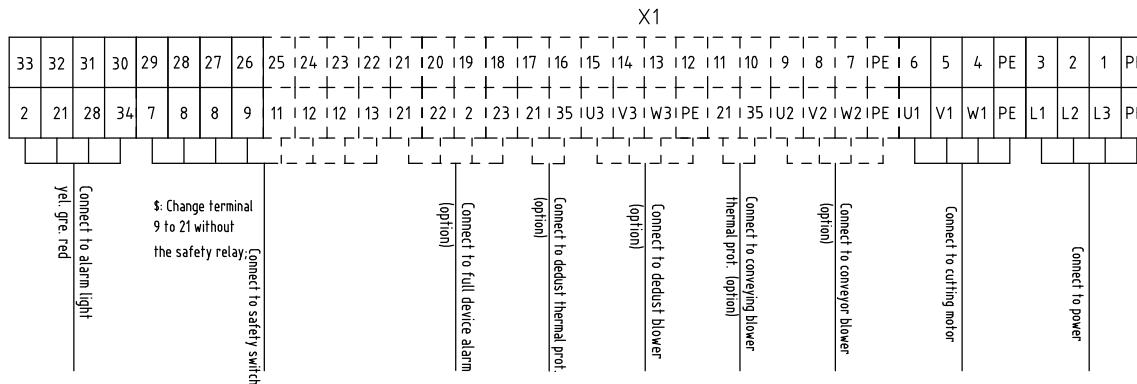
X10 Metal connector (option)



standard assembly drawing



optional assembly drawing



机型版本 Ver.E

Mark	Before modification	After modification	Modified by	Modify date	Checked by	Date	20210615
					Drawer	Version	I
					Designer	Approved by	
					Proofread by		


Title		SG-2427N		Drawing NO.		SG-2427N-CE-400V-I-4	
Title		电气元件布置图		Standard		CE	
				Scale		Page 4	
				Voltage		3Φ400V	
				Frequency		50Hz	

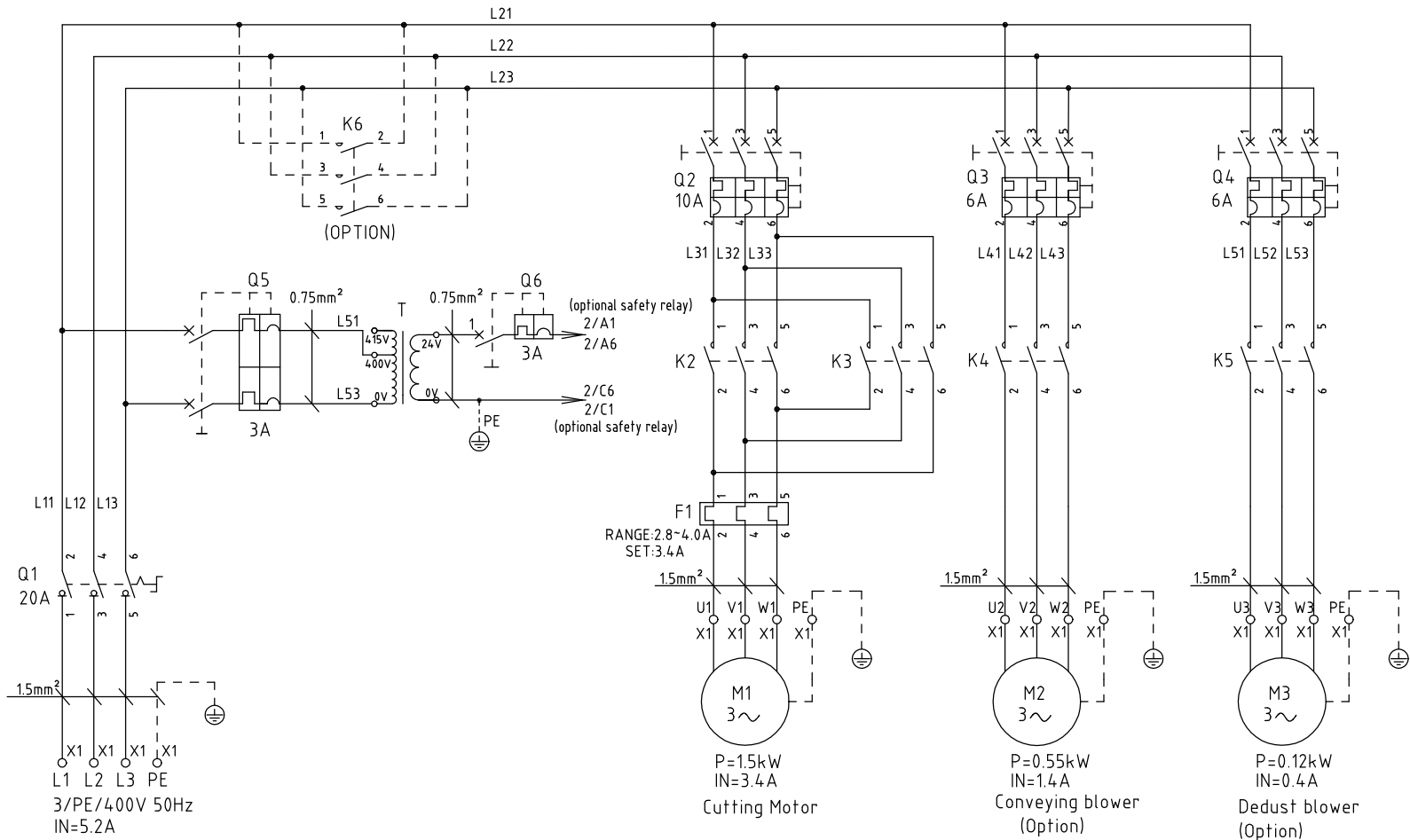


信易電熱機械股份有限公司
Shini Plastics Technologies, Inc.

Scale	Page 4
Standard	Totally 6 Pages
Voltage	3Φ400V
Frequency	50Hz

1		2		3		4		5		6		7		8				
NO.	Symbol	Name		Manufacturer		Type		Specification		Number	Material number		Remark					
A	1	Q1	Main power switch		MOELLER		TO-2-1/EA/SVB		20A		1	YE10021160000		(1)				
	2	Q2	Circuit breaker		TECO		BM-63C/3P		10A		1	YE40301003000						
	3	Q3	Circuit breaker		TECO		BM-63C/3P		6A		1	YE40300603000		(2)				
	4	Q4	Circuit breaker		TECO		BM-63C/3P		6A		1	YE40300603000		(3)				
	5	Q5	Circuit breaker		TECO		BM-63C/2003S 2P		3A		1	YE40200203000						
	6	Q6	Circuit breaker		TECO		BM-63C/1003S 1P		3A		1	YE40100203000						
	7	K1	Middle relay		Honeywell		GR-2C-AC24V		24VAC		1	YE03022400300						
B	8	K2,K3	Contactor		SIEMENS		3RT6016-1AB02		24VAC 50/60Hz		2	YE00601602600						
	9		Auxiliary contact		SIEMENS		3RH6911-1HA11		1NO+1NC		2	YE00691100100		(5)				
	10	K4	接触器/Contactor		SIEMENS		3RT6016-1AB01		24VAC 50/60Hz		1	YE00601602500		(2) Cancel				
	11	K4	Contactor		SIEMENS		3RT6015-1AB01		24VAC 50/60Hz		1	YE00601502500		(2) New				
	12		Auxiliary contact		SIEMENS		3RH6911-1HA11		1NO+1NC		1	YE00691100100		(2)(5)				
	13	K5	Contactor		SIEMENS		3RT6015-1AB01		24VAC 50/60Hz		1	YE00601502500		(3)				
	14	K6	Contactor		SIEMENS		3RT6016-1AB02		24VAC 50/60Hz		1	YE00601602600		(5)				
	15	K7	Safety relay		PILZ		PNOZ×2.8P		24V AC/DC		1	YE04023000000		(5)				
C	16	K8	Time relay		YUYUN		TRF-N 3min		24VAC 50/60Hz		1	YE86032400000		(2)				
	17	K9	Middle relay		HONEYWELL		GR-2C-AC24V		24VAC		1	YE03022400300		(2)(3)				
	18	F1	Thermal overload relay		SIEMENS		3RU6116-1EB0		2.8-4A		1	YE01160280000						
	19	T	Mutual transformer		BAIYUN		IN=400V/OUT=24V		80VA		1	YE70040006500						
	20	H2	3-color alarm light		SHINI		Red. gre. yel.+buzzer		24VAC 50/60Hz		1	BL90002401520		(1)				
	21	H3	Buzzer		TEND		EA-2		24VAC		1	YE84240200000		(1) (4)				
	22	S1	Emergency stop button		SCHNEIDER		XB2BS542C		400VAC		1	YE11254200000		(1)				
	23		Contact block		SCHNEIDER		ZB2BE102C		1NC		1	YE00210203100		(1)(5)				
D	24	S2	Stop button		SCHNEIDER		XB2BA22C		400VAC		1	YE11222000000		(1)				
	25	S3,H1	Start button (with light)		SCHNEIDER		XB2BW33B1C		24VAC		1	YE11233100000		(1)				
	机型版本 Ver.E		Notes:(1)Materials not in the control box;(2)Conveying blower assembly;(3)Dedust blower assembly;(4) Full- material alarm options; (5) Safety relay accessories;															
D					Drawer		Version		I		Title		Drawing NO.		Scale		Page 5	
					Designer		Approved by				SG-2427N		SG-2427N-CE-400V-I-5		Standard CE		Totally 6 Pages	
					Proofread by		Date		20210615				信易電熱機械股份有限公司 Shini Plastics Technologies, Inc.		Voltage		3Φ400V	
	Mark		Before modification		After modification		Modified by		Modify date						Checked by		Frequency	
1		2		3		4		5		6		7		8				

1		2		3		4		5		6		7		8			
N0.	Symbol	Name		Manufacturer		Type		Specification		Number	Material number		Remark				
26		Contact block		SCHNEIDER		ZB2BE101C		1NO		1	YE00210103100		(1)(5)				
27	S4,S5	Safety switch		SCHMERSAL		AZ 152VK-14.76		AC-15		2	YE16147600100		(1)				
28	S4,S5	Safety switch		SCHMERSAL		AZ16-02ZVRK-14.76		AZ-16		2	YE16147600000		(1)(5)				
29	PCB	Circuit board PCB		YUYUN		AC-01		24VAC		1	YE80012400600						
30	S6	Sensor		DELIN		DL-12		24VDC NPN		1	YE15122400000		(1)				
31	MS	Level sensor		----		SR-80		3A/24V		1	YE15802400100		(1)(4)				
32	X1	Terminal board		Honeywell		SK2.5		2.5mm ²		14	YE60002503200						
33				Honeywell		GK2.5PE		2.5mm ² PE		2	YE60002503400						
34				Honeywell		SK2.5		2.5mm ²		3	YE60002503200		(2)				
35				Honeywell		GK2.5PE		2.5mm ² PE		1	YE60002503400		(2)				
36				Honeywell		SK2.5		2.5mm ²		3	YE60002503200		(3)				
37				Honeywell		GK2.5PE		2.5mm ² PE		1	YE60002503400		(3)				
38				Honeywell		SK2.5		2.5mm ²		4	YE60002503200		(4)				
39				Honeywell		SK2.5		2.5mm ²		4	YE60002503200		(5)				
40	X10	Metal connector		----		PLT-254-PM		4P		1	YE68025400000		(1)(4)				
41				----		PLT-254-RF		4P		1	YE68025400100		(1)(4)				
42	M1	Granulating motor		----		----		400V 50Hz 1.5kW		1	-----		(1)				
43	M2	Conveying blower		----		----		400V 50Hz 0.55kW		1	-----		(1)(2)				
44	M3	Dedust blower		----		----		400V 50Hz 0.12kW		1	-----		(1)(3)				
机型版本 Ver.E		Notes:(1)Materials not in the control box;(2)Conveying blower assembly;(3)Dedust blower assembly;(4) Full- material alarm options; (5) Safety relay accessories;															
D						Drawer		Version	I	Title	SG-2427N	Drawing NO.		Scale		Page	6
						Designer		Approved by		电气元件明细表二	SG-2427N-CE-400V-I-6		Standard	CE	Totally	6	Pages
						Proofread by				 信易電熱機械股份有限公司 Shini Plastics Technologies, Inc.		Voltage	3Φ400V				
	Mark	Before modification	After modification	Modified by	Modify date	Checked by		Date	20210615				Frequency	50Hz			
1		2		3		4		5		6		7		8			

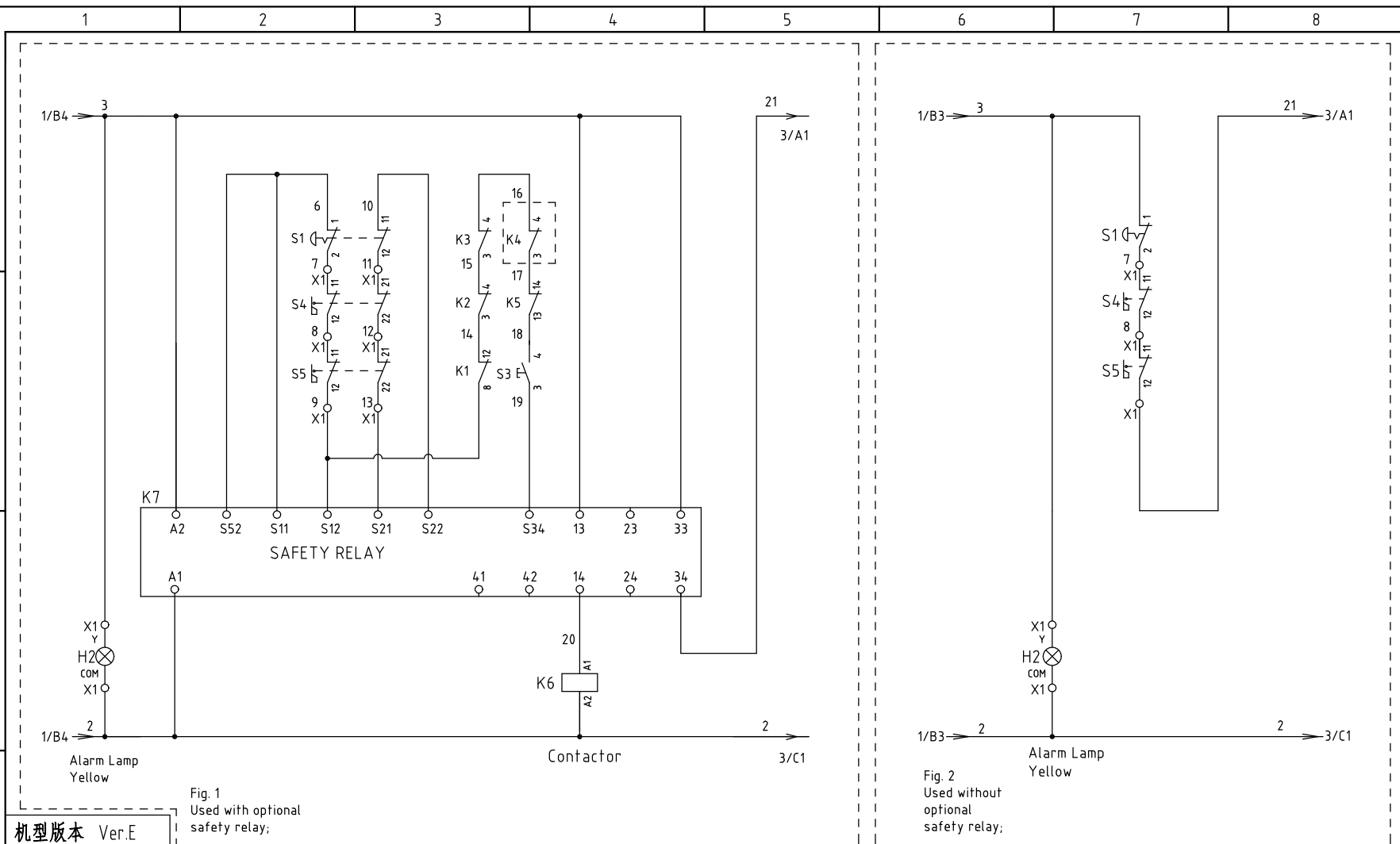


机型版本 Ver.E

					Drawer	Version	I
					Designer	Approved by	
					Proofread by	Checked by	
Mark	Before modification	After modification	Modified by	Modify date	Date	20210615	

Title SG-2436N 主电路图		Drawing NO. SG-2436N-CE-400V-I-1		Scale	Page 1
				Standard	CE
				Voltage 3φ400V	
				Frequency 50Hz	
				Totally 6 Pages	

SHINI 信易電熱機械股份有限公司
Shini Plastics Technologies, Inc.



机型版本 Ver.E

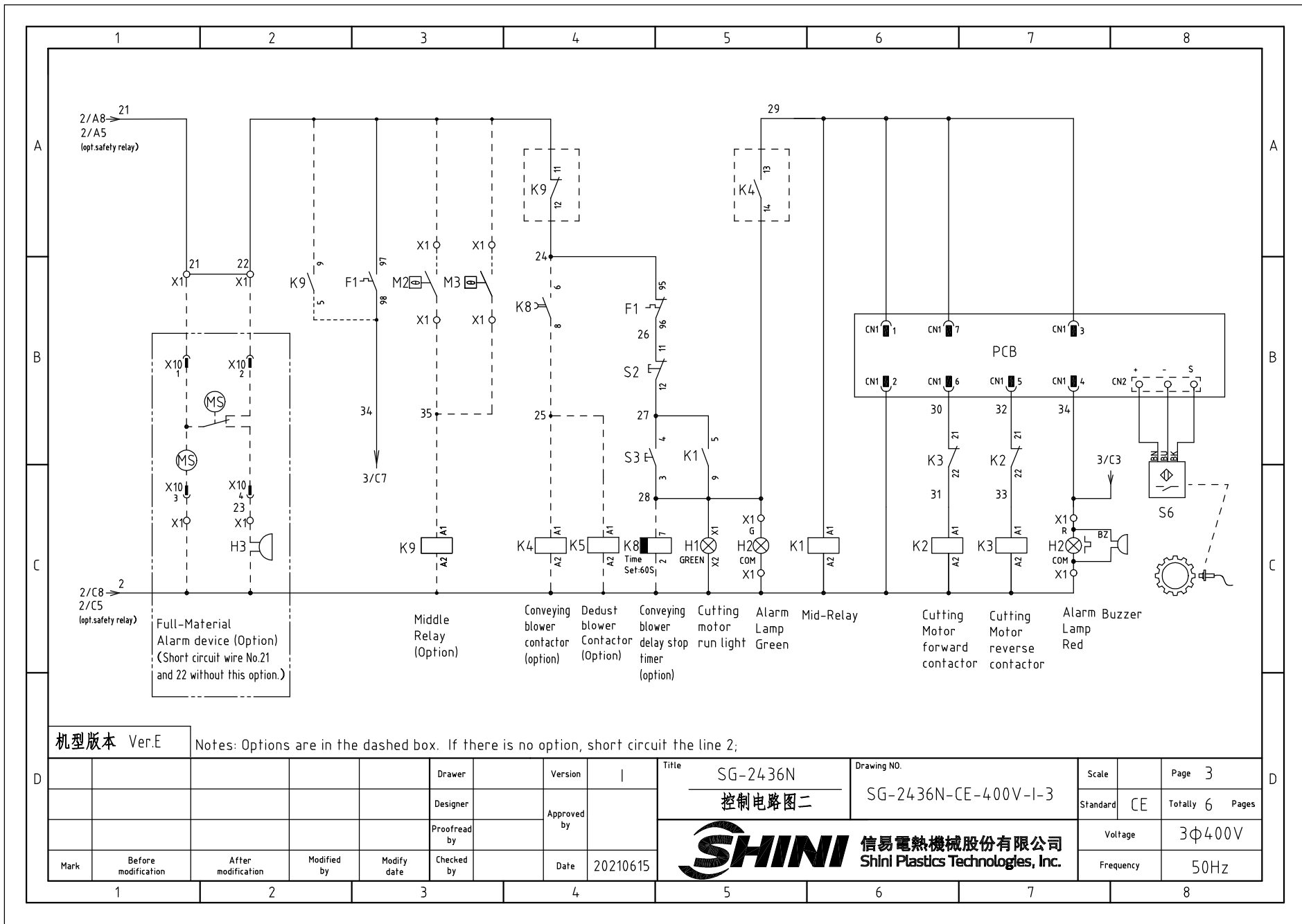
Mark	Before modification	After modification	Modified by	Modify date	Checked by	Date	20210615
Drawer					Version	I	
Designer					Approved by		
Proofread by							

Title: SG-2436N
控制电路图一

Drawing NO.: SG-2436N-CE-400V-I-2

SHINI 信易电热机械股份有限公司
Shini Plastics Technologies, Inc.

Scale		Page	2
Standard	CE	Totally	6 Pages
Voltage	3Φ400V		
Frequency	50Hz		

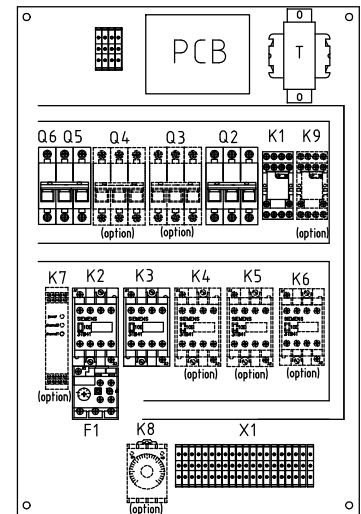
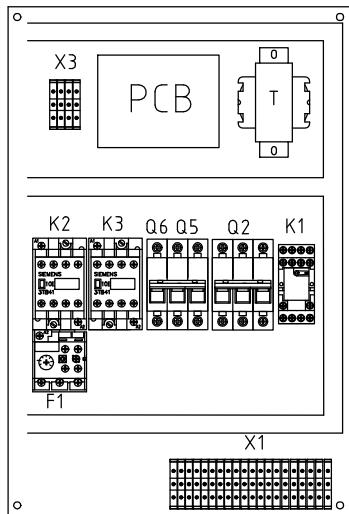
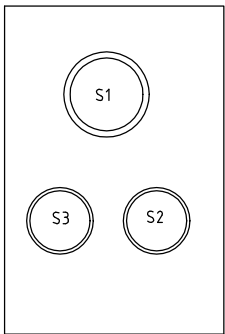


机型版本 Ver.E

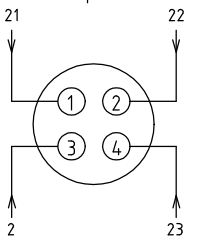
Notes: Options are in the dashed box. If there is no option, short circuit the line 2;

D	Mark	Before modification	After modification	Modified by	Modify date	Checked by	Date	20210615	Title SG-2436N 控制电路图二 信易電熱機械股份有限公司 Shini Plastics Technologies, Inc.	Drawing NO. SG-2436N-CE-400V-1-3	Scale	Page 3
								Standard			CE	Totally 6 Pages
											Voltage	3Φ400V
											Frequency	50Hz

1 2 3 4 5 6 7 8

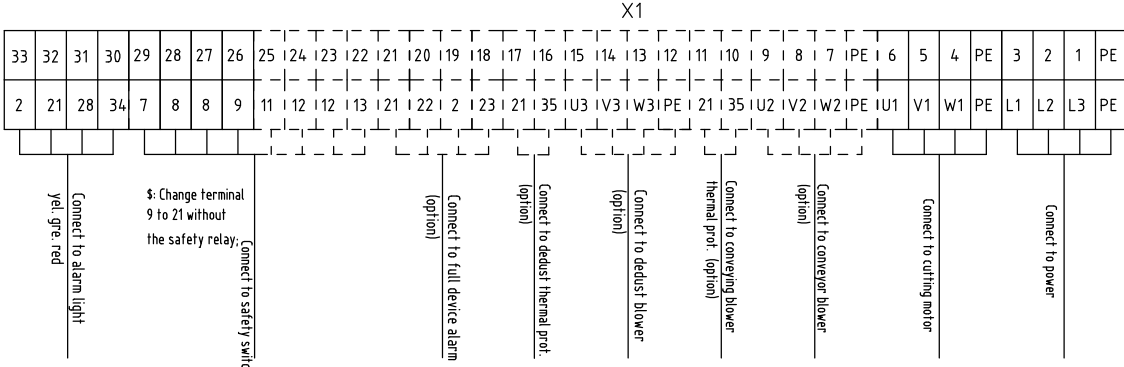


X10 Metal connector (option)



standard assembly drawing

optional assembly drawing



机型版本 Ver.E

Mark	Before modification	After modification	Modified by	Modify date	Checked by	Date	20210615
					Designer	Version	I
					Proofread by	Approved by	

Title	SG-2436N	Drawing NO.	SG-2436N-CE-400V-I-4	Scale	Page 4
	电气元件布置图			Standard	CE
信易電熱機械股份有限公司 Shini Plastics Technologies, Inc.			Voltage	3Φ400V	
			Frequency	50Hz	

1		2		3		4		5		6		7		8				
NO.	Symbol	Name		Manufacturer		Type		Specification		Number	Material number		Remark					
A	1	Q1	Main power switch		MOELLER		TO-2-1/EA/SVB		20A		1	YE10021160000		(1)				
	2	Q2	Circuit breaker		TECO		BM-63C/3P		6A		1	YE40300603000						
	3	Q3	Circuit breaker		TECO		BM-63C/3P		6A		1	YE40300603000		(2)				
	4	Q4	Circuit breaker		TECO		BM-63C/3P		6A		1	YE40300603000		(3)				
	5	Q5	Circuit breaker		TECO		BM-63C/2003S 2P		3A		1	YE40200203000						
	6	Q6	Circuit breaker		TECO		BM-63C/1003S 1P		3A		1	YE40100203000						
	7	K1	Middle relay		Honeywell		GR-2C-AC24V		24VAC		1	YE03022400300						
B	8	K2,K3	接触器/Contactor		SIEMENS		3RT6015-1AB02		24VAC 50/60Hz		2	YE00601502600		Cancel				
	9	K2,K3	Contactor		SIEMENS		3RT6016-1AB02		24VAC 50/60Hz		2	YE00601602600		New				
	10		Auxiliary contact		SIEMENS		3RH6911-1HA11		1NO+1NC		2	YE00691100100		(5)				
	11	K4	Contactor		SIEMENS		3RT6015-1AB01		24VAC 50/60Hz		1	YE00601502500		(2)				
	12		Auxiliary contact		SIEMENS		3RH6911-1HA11		1NO+1NC		1	YE00691100100		(2)(5)				
	13	K5	Contactor		SIEMENS		3RT6015-1AB01		24VAC 50/60Hz		1	YE00601502500		(3)				
	14	K6	Contactor		SIEMENS		3RT6016-1AB02		24VAC 50/60Hz		1	YE00601602600		(5)				
	15	K7	Safety relay		PILZ		PNOZ×2.8P		24V AC/DC		1	YE04023000000		(5)				
C	16	K8	Time relay		YUYUN		TRF-N 3min		24VAC 50/60Hz		1	YE86032400000		(2)				
	17	K9	Middle relay		HONEYWELL		GR-2C-AC24V		24VAC		1	YE03022400300		(2)(3)				
	18	F1	Thermal overload relay		SIEMENS		3RU6116-1BB0		1.4-2.0A		1	YE01160140000						
	19	T	Mutual transformer		BAIYUN		IN=400V/4.15V OUT=24V		80VA		1	YE70040006500						
	20	H2	3-color alarm light		SHINI		Red. gre. yel.+buzzer		24VAC 50/60Hz		1	BL90002401520		(1)				
	21	H3	Buzzer		TEND		EA-2		24VAC		1	YE84240200000		(1)(4)				
	22	S1	Emergency stop button		SCHNEIDER		XB2BS542C		400VAC		1	YE11254200000		(1)				
	23		Contact block		SCHNEIDER		ZB2BE102C		1NC		1	YE00210203100		(1)(5)				
D	24	S2	Stop button		SCHNEIDER		XB2BA22C		400VAC		1	YE11222000000		(1)				
	25	S3,H1	Start button (with light)		SCHNEIDER		XB2BW33B1C		24VAC		1	YE11233100000		(1)				
	机型版本		Ver.E		Notes:(1)Materials not in the control box;(2)Conveying blower assembly;(3)Dedust blower assembly;(4) Full- material alarm options; (5) Safety relay accessories;													
Mark		Before modification	After modification	Modified by	Modify date	Checked by	Date	20210615	Title SG-2436N 电气元件明细表一		Drawing NO. SG-2436N-CE-400V-I-5		Scale	Page 5	Standard	CE	Totally 6 Pages	
									 信易電熱機械股份有限公司 Shini Plastics Technologies, Inc.		Voltage		3Φ400V					Frequency
1		2		3		4		5		6		7		8				

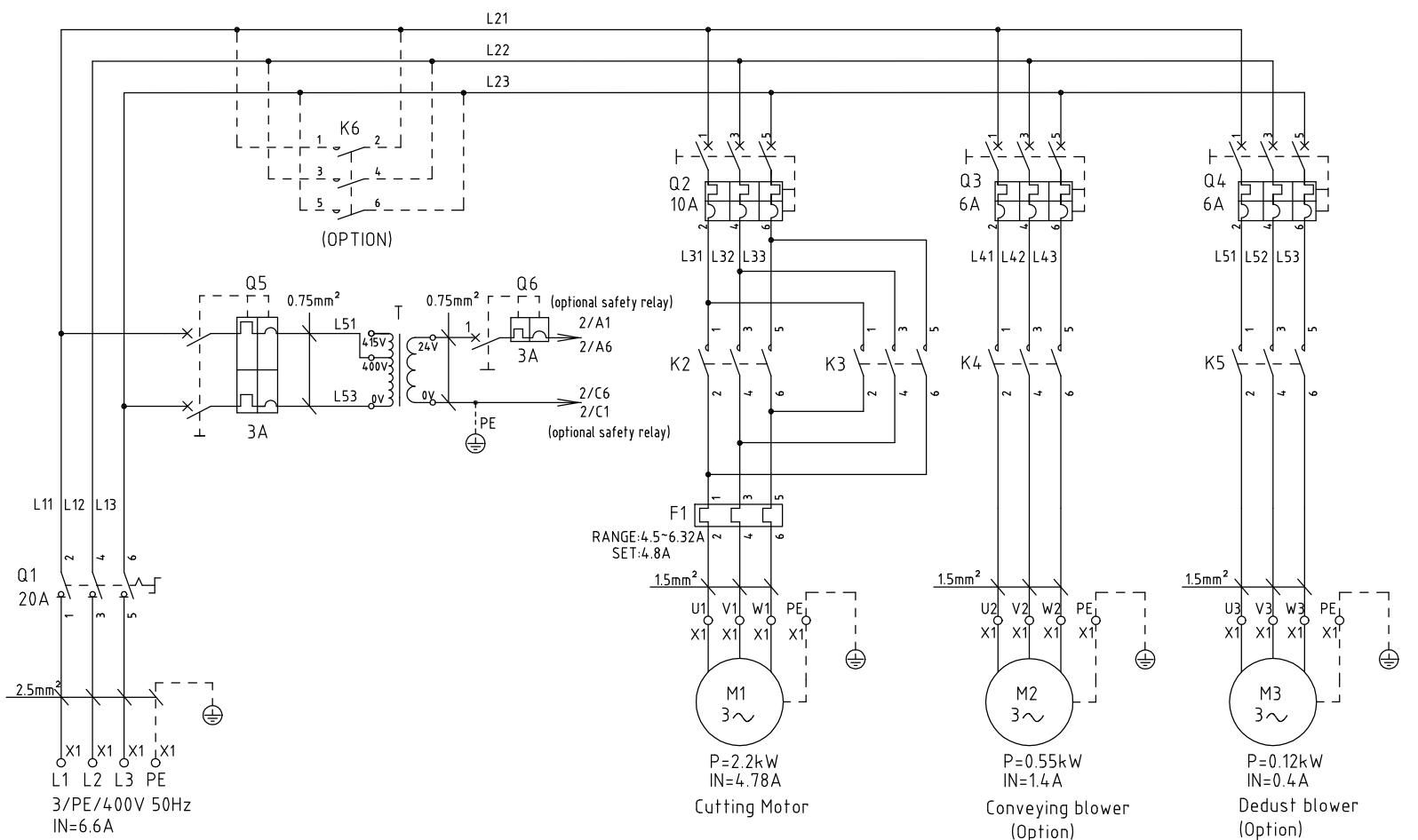
1 2 3 4 5 6 7 8

A

B

C

D



机型版本 Ver.E

Mark	Before modification	After modification	Modified by	Modify date	Checked by	Date	20210615
Drawer					Version	I	
Designer					Approved by		
Proofread by							

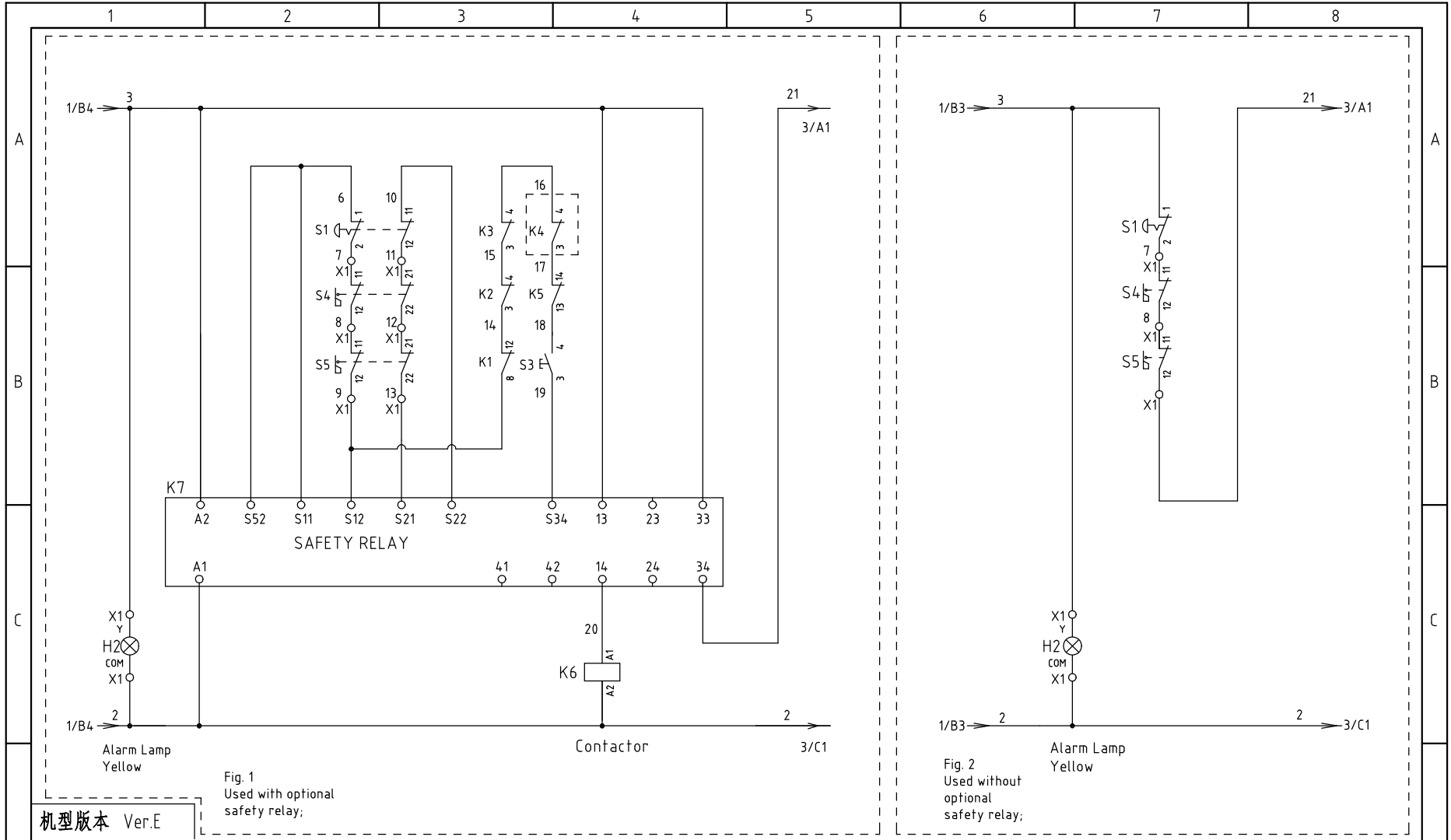
Title: SG-2446N
主电路图

Drawing NO.: SG-2446N-CE-400V-I-1

SHINI 信易電熱機械股份有限公司
Shini Plastics Technologies, Inc.

Scale	Page 1
Standard	CE Totally 6 Pages
Voltage	3Φ400V
Frequency	50Hz

1 2 3 4 5 6 7 8

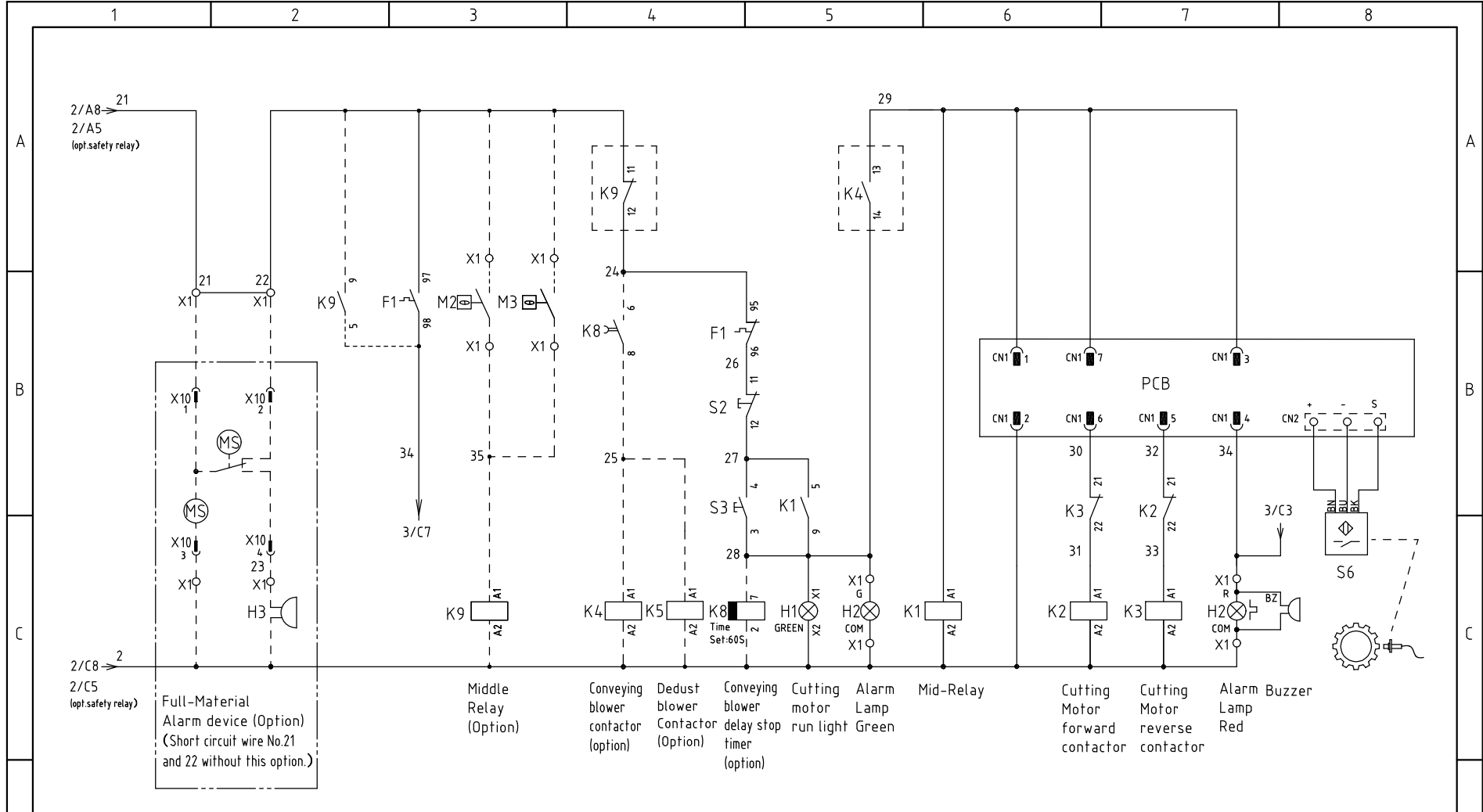


机型版本 Ver.E

Mark	Before modification	After modification	Modified by	Modify date	Checked by	Date	20210615


Title		SG-2446N 控制电路图一		Drawing NO.		SG-2446N-CE-400V-I-2		Scale	Page 2
								Standard	CE
								Voltage	3Φ400V
								Frequency	50Hz
								Totally 6	Pages

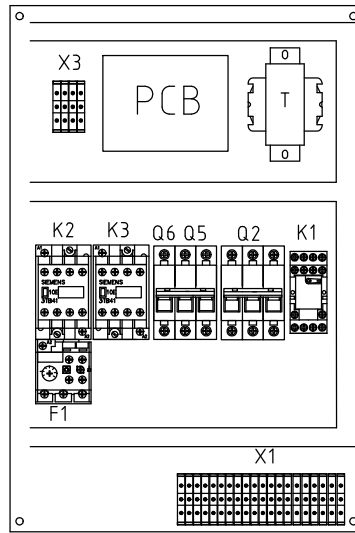
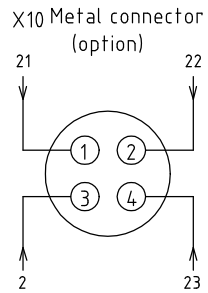
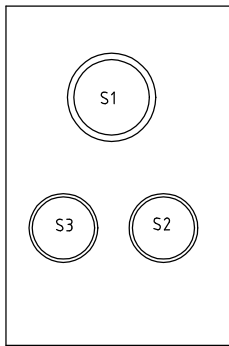




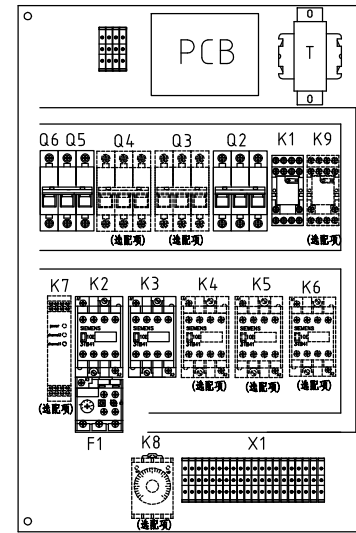
机型版本 Ver.E

Notes: Options are in the dashed box. If there is no option, short circuit the line 2;

				Drawer	Version	Title	Drawing NO.	Scale	Page
				Designer	Approved by	SG-2446N 控制电路图二	SG-2446N-CE-400V-I-3	Standard	CE
				Proofread by	Date	 信易電熱機械股份有限公司 Shini Plastics Technologies, Inc.	Voltage	3Φ400V	
Mark	Before modification	After modification	Modified by	Modify date	20210615		Frequency	50Hz	



standard assembly drawing



optional assembly drawing

33	32	31	30	29	28	27	26	25	24	23	22	21	20	19	18	17	16	15	14	13	12	11	10	9	8	7	6	5	4	3	2	1	PE		
2	21	28	34	7	8	8	9	11	12	12	13	21	22	2	23	21	35	U3	U3	U3	U3	PE	21	35	U2	U2	U2	U2	U2	U2	U2	U2	U2	U2	U2

Connect to alarm light
yel. gre. red

Connect to safety switch
\$: Change terminal 9 to 21 without the safety relay

Connect to full device alarm (option)

Connect to dedust thermal prot. (option)

Connect to dedust blower (option)

Connect to conveying blower thermal prot. (option)

Connect to conveyor blower (option)

Connect to cutting motor

Connect to power

Connect to power

机型版本 Ver.E

Mark	Before modification	After modification	Modified by	Modify date	Checked by	Date	20210615

Title SG-2446N
电气元件布置图

Drawing NO. SG-2446N-CE-400V-1-4

SHINI 信易電熱機械股份有限公司
Shini Plastics Technologies, Inc.

Scale	Page 4
Standard	Totally 6 Pages
Voltage	3Φ400V
Frequency	50Hz

1		2		3		4		5		6		7		8		
NO.	Symbol	Name		Manufacturer		Type		Specification		Number	Material number		Remark			
A	1	Q1	Main power switch		MOELLER		TO-2-1/EA/SVB		20A		1	YE10021160000		(1)		
	2	Q2	Circuit breaker		TECO		BM-63C/3P		16A		1	YE40301603000				
	3	Q3	Circuit breaker		TECO		BM-63C/3P		6A		1	YE40300603000		(2)		
	4	Q4	Circuit breaker		TECO		BM-63C/3P		6A		1	YE40300603000		(3)		
	5	Q5	Circuit breaker		TECO		BM-63C/2003S 2P		3A		1	YE40200203000				
	6	Q6	Circuit breaker		TECO		BM-63C/1003S 1P		3A		1	YE40100203000				
	7	K1	Middle relay		Honeywell		GR-2C-AC24V		24VAC		1	YE03022400300				
B	8	K2,K3	Contactor		SIEMENS		3RT6016-1AB02		24VAC 50/60Hz		2	YE00601602600				
	9		Auxiliary contact		SIEMENS		3RH6911-1HA11		1NO+1NC		2	YE00691100100		(5)		
	10	K4	接触器/Contactor		SIEMENS		3RT6016-1AB01		24VAC 50/60Hz		1	YE00601602500		(2) Cancel		
	11	K4	Contactor		SIEMENS		3RT6015-1AB01		24VAC 50/60Hz		1	YE00601502500		(2)New		
	12		Auxiliary contact		SIEMENS		3RH6911-1HA11		1NO+1NC		1	YE00691100100		(2)(5)		
	13	K5	Contactor		SIEMENS		3RT6015-1AB01		24VAC 50/60Hz		1	YE00601502500		(3)		
	14	K6	Contactor		SIEMENS		3RT6016-1AB02		24VAC 50/60Hz		1	YE00601602600		(5)		
C	15	K7	Safety relay		PILZ		PNOZ×2.8P		24V AC/DC		1	YE04023000000		(5)		
	16	K8	Time relay		YUYUN		TRF-N 3min		24VAC 50/60Hz		1	YE86032400000		(2)		
	17	K9	Middle relay		HONEYWELL		GR-2C-AC24V		24VAC		1	YE03022400300		(2)(3)		
	18	F1	Thermal overload relay		SIEMENS		3RU6116-1GB0		4.5-6.32A		1	YE01160450000				
	19	T	Mutual transformer		BAIYUN		IN=400V/415V OUT=24V		80VA		1	YE70040006500				
	20	H2	3-color alarm light		SHINI		Red. gre. yel.+buzzer		24VAC 50/60Hz		1	BL90002401520		(1)		
	21	H3	Buzzer		TEND		EA-2		24VAC		1	YE84240200000		(1)(4)		
D	22	S1	Emergency stop button		SCHNEIDER		XB2BS542C		400VAC		1	YE11254200000		(1)		
	23		Contact block		SCHNEIDER		ZB2BE102C		1NC		1	YE00210203100		(1)(5)		
	24	S2	Stop button		SCHNEIDER		XB2BA22C		400VAC		1	YE11222000000		(1)		
	25	S3,H1	Start button (with light)		SCHNEIDER		XB2BW33B1C		24VAC		1	YE11233100000		(1)		
	机型版本 Ver.E		Notes:(1)Materials not in the control box;(2)Conveying blower assembly;(3)Dedust blower assembly;(4) Full- material alarm options; (5) Safety relay accessories;													
	Mark	Before modification	After modification	Modified by	Modify date	Checked by	Date	20210615	Title SG-2446N 电气元件明细表一		Drawing NO. SG-2446N-CE-400V-I-5		Scale	Page 5	D	
									Approved by				Standard	CE	Totally 6 Pages	
								Proofread by				Voltage		3φ400V		
								Date		20210615		Frequency		50Hz		



1		2		3		4		5		6		7		8			
NO.	Symbol	Name		Manufacturer		Type		Specification		Number	Material number		Remark				
	26		Contact block		SCHNEIDER		ZB2BE101C		1NO		1	YE00210103100		(1)(5)			
A	27	S4,S5	Safety switch		SCHMERSAL		AZ 152VK-1476		AC-15		2	YE16147600100		(1)			
	28	S4,S5	Safety switch		SCHMERSAL		AZ16-02ZVRK-1476		AZ-16		2	YE16147600000		(1)(5)			
	29	PCB	Circuit board PCB		YUYUN		AC-01		24VAC		1	YE80012400600					
	30	S6	Sensor		DELIN		DL-12		24VDC NPN		1	YE15122400000		(1)			
	31	MS	Level sensor		----		SR-80		3A/24V		1	YE15802400100		(1)(4)			
	32	X1	Terminal board		Honeywell		SK2.5		2.5mm ²		14	YE60002503200					
		33				Honeywell		GK2.5PE		2.5mm ² PE		2	YE60002503400				
B		34			Honeywell		SK2.5		2.5mm ²		3	YE60002503200		(2)			
		35			Honeywell		GK2.5PE		2.5mm ² PE		1	YE60002503400		(2)			
		36			Honeywell		SK2.5		2.5mm ²		3	YE60002503200		(3)			
		37			Honeywell		GK2.5PE		2.5mm ² PE		1	YE60002503400		(3)			
		38			Honeywell		SK2.5		2.5mm ²		4	YE60002503200		(4)			
		39			Honeywell		SK2.5		2.5mm ²		4	YE60002503200		(5)			
		40	X10	Metal connector		----		PLT-254-PM		4P		1	YE68025400000		(1)(4)		
C		41			----		PLT-254-RF		4P		1	YE68025400100		(1)(4)			
		42	M1	Granulating motor		----		----		400V 50Hz 2.2kW		1	-----		(1)		
		43	M2	Conveying blower		----		----		400V 50Hz 0.55kW		1	-----		(1)(2)		
		44	M3	Dedust blower		----		----		400V 50Hz 0.12kW		1	-----		(1)(3)		
D	机型版本 Ver.E		Notes:(1)Materials not in the control box;(2)Conveying blower assembly;(3)Dedust blower assembly;(4) Full- material alarm options; (5) Safety relay accessories;														
						Drawer		Version	I	Title	SG-2446N		Drawing NO.	Scale	Page 6		
						Designer		Approved by		电气元件明细表二	SG-2446N-CE-400V-I-6		Standard	CE	Totally 6 Pages		
						Proofread by		Date	20210615	 信易電熱機械股份有限公司 Shini Plastics Technologies, Inc.		Voltage	3Φ400V				
Mark	Before modification	After modification	Modified by	Modify date	Checked by							Frequency	50Hz				
1		2		3		4		5		6		7		8			