

Tech. Requirement:

1. Main performance para.:
  - a Motor power is 60W;
  - b Machine power: 1 phase, 230V, 50Hz;
  - c. Noise < 85dB.

4	SGD-EB-C-ALL	Control Box Assembly	Assembly	1
3	SGD-A-ALL	Base Assembly	Assembly	1
2	SGD-EB-B-ALL	Storage Hopper Assembly	Assembly	1
1	SGB-EB-A-ALL	Feeding Assembly	Assembly	1

No.	Code	Name	Mat.	Qty.	Remark
-----	------	------	------	------	--------

Title		Drawing No.		Scale	Qty	1
SGD-EB		SGD-EB-ALL		1:8	18	1
"Budget" Series Gravimetric Doser					Mat.	assembly

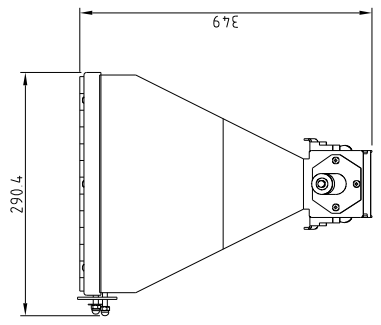
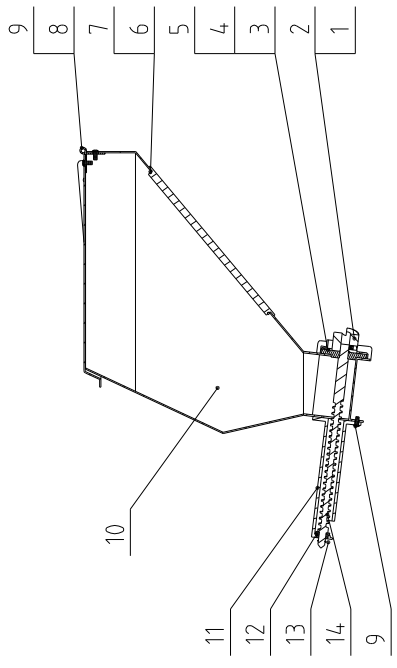
Surface req.	Mat No.
--------------	---------



信易电热机械股份有限公司  
Shini Plastics Technologies, Inc.


Ver.	0	Date	20180930
Approved by		Check by	
Designer		Modify Date	
Proofread by		After Modification by	
Drawer		Before Modification	
Mark			

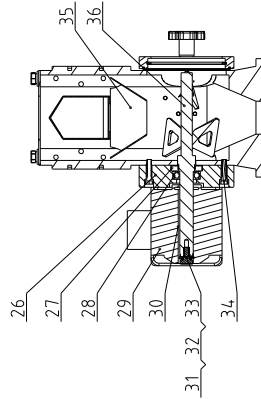
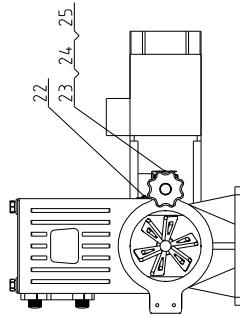
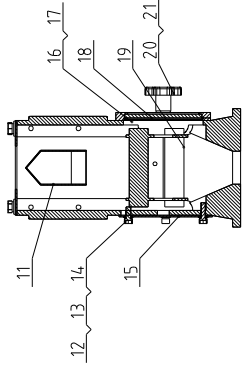
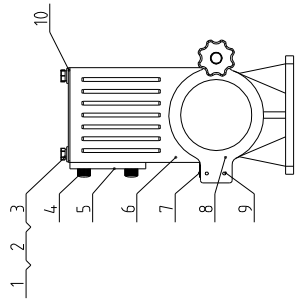




18	SGD-EB-B-02	Storage hopper cover	SUS201	1	Borrow
17	SGD-B-06	Hopper connection plate	SUS201	1	Borrow
16	YW64006000100	Hex. cap nut GB/T923 M6-A2-70(SUS)		2	
15	YW660618000000	Large gasket A grade GB/T96.16 Longzine		2	
14	SGD-C-08	12 screw	45	1	Borrow
13	YW69008000200	Shaft elastic ring GB/T 894.18		2	
12	SGD-C-04	Screw fittings 1	Teflon	1	Borrow
11	SGB-C-09	12 screw sleeve	SUS201	1	Borrow
10	SGD-EB-B-01	Storage hopper welding drawing	SUS201	1	
9	YW62051000100	Cross recess large flat head screw JIS1111 M5x10-Longzine		9	
8	SGD-B-03	Long hinge	SUS304	1	Borrow
7	YR20162600100	O type seal ring 106x2.65	Fluororubber	1	
6	SGD-B-07	Visual window	TransparentPC	1	Borrow
5	YW61030600100	Cross socket counter sunk head screw GB819 M3x6-Longzine		2	
4	SGD-C-20	Screw fixed plate	SUS201	1	Borrow
3	SGD-EB-B-03	Screw fittings 3	Teflon	1	Borrow
2	SGB-C-22	Coupler1	AC4D	1	Borrow
1	YW68005500000	Inner hexagon flat-end set screw GB/T77-M5-5 Longzine		1	

Tech. requirement:  
1.(16)It requires the fastening agent when in stalling the hex. nut.

No.	Code	Name	Mat.	Qty.	Remark
Title		Drawing No.	Scale	1:8	Qty 1
SGD-EB		SGD-EB-B-ALL			assembly
Storage hopper assembly					
Mark	Before Modification	Modified by	Modify Date	Proofread by	Check by
		Approved by	Date	20180930	
		 <b>信易电热机械股份有限公司</b> <b>Shini Plastics Technologies, Inc.</b>			
		Surface req.		Mat No.	



NO	Code	Name	Texture	Qty	Remark
36	SGD-A-05	Mixing assembly		1	Optional
35	SGD-A-11	Base discharge port	SUS201	1	Optional
34	YM61062501200	Hex recessed raised countersunk head screw M6x20 compound steel 12.9-longzine		8	Optional
33	YW66082200100	Big gasket C GB/T196818.4x24x2-longzine		1	Optional
32	YW65006000100	Standard spring washer GB/T193 6-longzine		1	Optional
31	YW60061200000	Hexagon screw bolt GB/T5783 M6x12-12.9-longzine		1	Optional
30	YW69058000000	Square key C5x80 GB1096-1979		1	Optional
29	YM50922000000	Gear motor 90YS90GV22/90GF30RC		1	Optional
28	YW116003000000	NSK bearing 6003-ZZ		1	Optional
27	YR20224000000	Frame oil seal OS-GPφ20×φ4.0×L7		1	Optional
26	SGD-A-06	Fixed flange for mixing	45	1	Optional
25	YE16921200000	Safety switch fixed plate TEND/TZ-9212		1	Optional
24	SGD-A-08	Safety switch fixed plate	SPCC10	1	Optional
23	YW62054000000	Cross recessed raised countersunk head screw M5x10-longzine		2	Optional
22	YW62051000100	Cross recessed raised countersunk head screw M5x10-longzine		2	
21	YW64000800100	Non metal insert of hexagon locknut GB/T889.1 M8		1	
20	YR40084000000	Star knob B type M8x4.0		1	Standard
19	BY10305000050	Three-tube magnetic frame		1	
18	YW70125000000	Tempered glass		1	
17	YR20162600100	O type seal ring 16x2.65		1	
16	YW69869800000	Elastic ring for hole use G8893.1-86-98	65Mn	1	
15	SGD-A-04	Rear cover	SUS201	1	Standard
14	YW65006000100	Standard spring washer GB/T193 6-longzine		4	
13	YW66061200000	Flat gasket A GB/T1971.6-A2-70(SUS)		4	
12	YW61062000200	Inner hexagon screw M6x20 compound steel 12.9		4	
11	SGD-A-03	Material fender	SUS304	1	Standard
10	SGD-A-10	Base cover	SPCC2.0	1	
9	YW62041000000	Cross recessed raised countersunk head screw M5x10-longzine		2	
8	SGD-A-01	Base door	YL112	1	
7	YW09050200000	Hinge of magnetic base	YL112	1	
6	SGD-A-02	Base	YL112	1	Standard
5	SGD-A-09	Doser end plate		1	
4	YW69616100000	Manual tighten up screw M6x6x16		4	
3	YW65008000100	Standard spring washer GB/T193 8-longzine		4	
2	YW66081900000	Flat gasket 8x19x2 0-longzine		4	
1	YW60081600100	Hexagon screw bolt GB/T5781 M8x16-4.8-longzine		4	

Ver.	Drawer	Designer	Approved by	Date	Mark	Before Modification	After Modification	Modified by	Modify Date	Check by
					20190109					

Title	Code	Name	Scale	Qty	Remark
SGD-EB	SGD-A-ALL	Base Assembly	1:6	1	assembly
Surface req Mat Mat No					

信易塑料股份有限公司  
 Shini Plastics Technologies, Inc.

