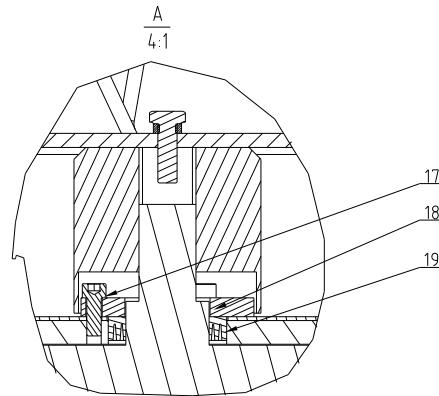
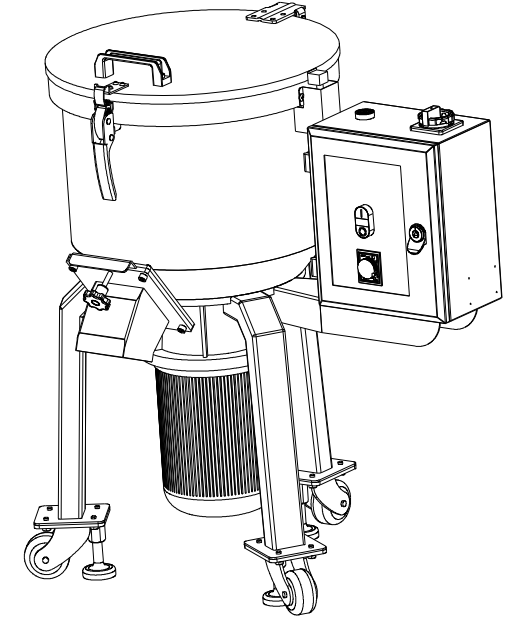
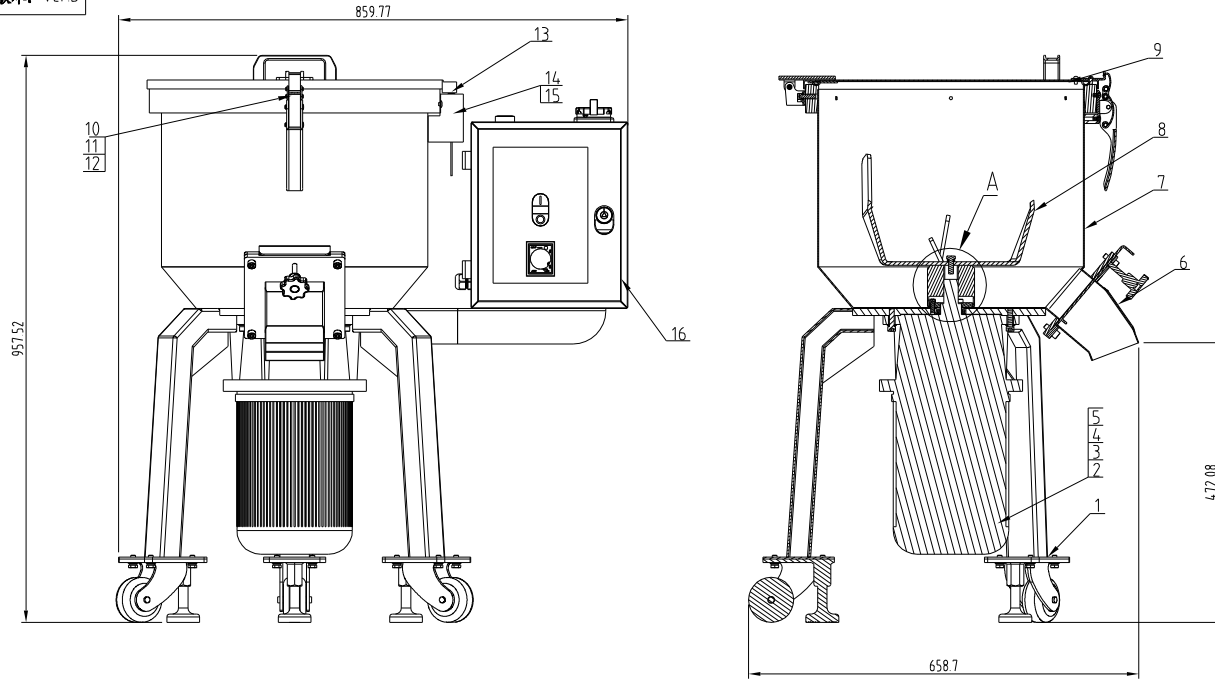


版本: Ver B



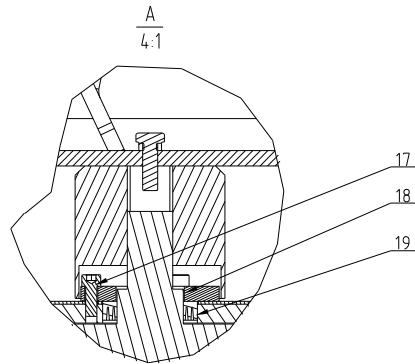
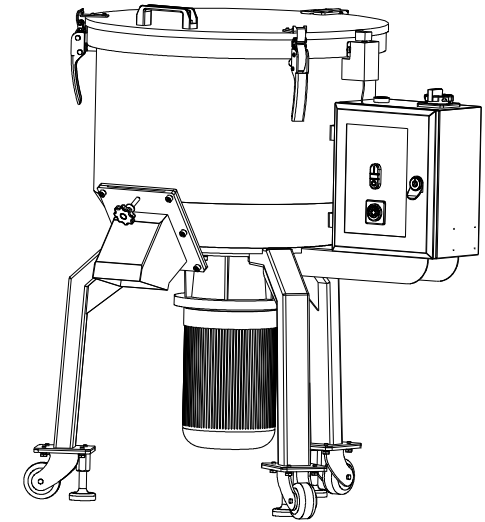
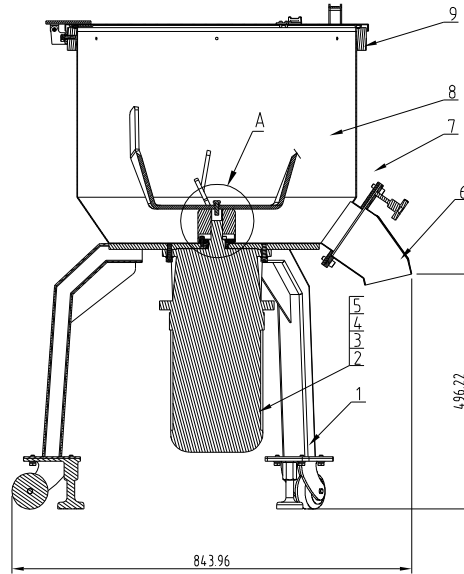
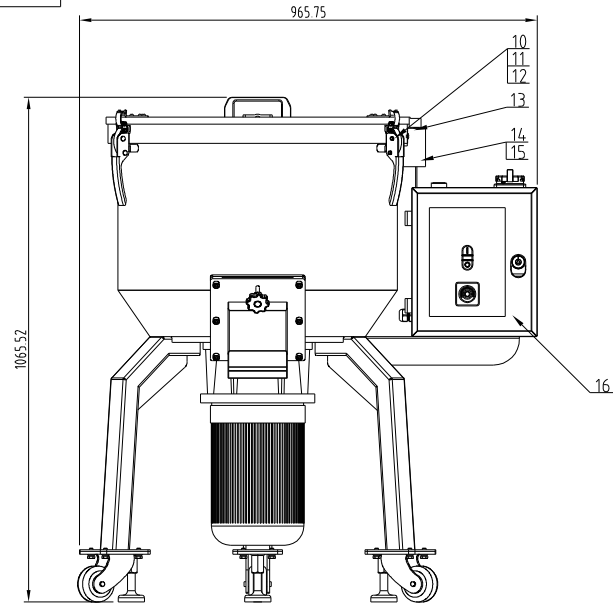
19	YR80355000000	Oil seal 35×50×10(for SVM)		1	
18	SVM-50EB-ALL-02	Shaft seal pressing plate	SUS201	1	Borrowed
17	YW61061601200	Inner hexagon cylinder screw GB/T70.1 M6×16-12.9	Longzine	3	
16	SVM-100EB-F-ALL	Control box	Assembly	1	Borrowed
15	YW62061000000	Large cross socket flat head screw JIS1111 M6×10	Longzine	2	
14	SVM-50EB-ALL-01	Reed switch installation box	SPCC	1	Borrowed
13	YE10123000000	Reed switch BN12-308AA Length:40mm/5-240VAC/Line length 2M		1	
12	YW61124000000	Standard spring washer GB/T93.8	Longzine	4	
11	YW65006000100	Hexagon bolt GB/T5781 M6×10-4.8	Longzine	4	
10	YW00121000000	Handle SEMD-25-A-68 (version A) (with mold)	Q235A	2	
9	SVM-25EB-E-ALL	Barrel cover assembly	Assembly	1	
8	SVM-25EB-D-ALL	Mixing assembly	Assembly	1	
7	SVM-25EB-C-ALL	Barrel assembly	Assembly	1	
6	SVM-25EB-B-ALL	Discharge port assembly	Weld assembly	1	
5	YW66081600000	Flat washer A grade GB/T91.1B L×16×1.6		6	
4	YW65008000100	Standard spring washer GB/T93.8		6	
3	YW61083000000	Inner hexagon cylinder screw GB/T70.1 M8×30-12.9		6	
2	YMS0117100100	Cyclodial needle reducer BL Y1-17-1.1KW/3 qz 400V/50		1	
1	SVM-25EB-A-ALL	Rack Body	Assembly	1	

序号	代号	名称	材质	数量	备注
		标题 SVM-25EB 总装图	图号 SVM-25EB-ALL	比例 1:8	数量 1
				材质 Assembly	
			表面要求	RAL9010&7021	
			物料号		

**SHINI** 信易电热机械股份有限公司  
Shini Plastics Technologies, Inc.

制图	版号	0	标题	图号	比例	数量	备注
设计	核准		SVM-25EB 总装图	SVM-25EB-ALL	1:8	1	Assembly
校对	核准						
标记	更改前	更改后	更改人	日期	审核	日期	2024.0327

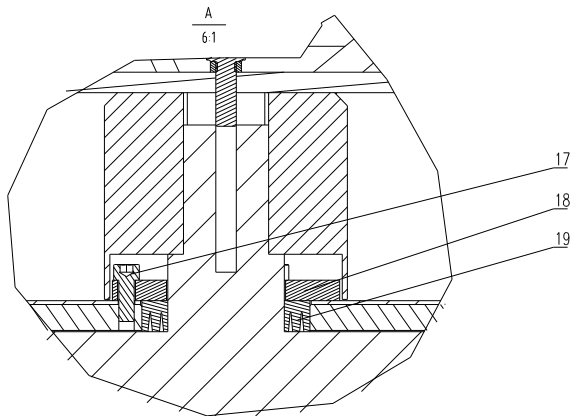
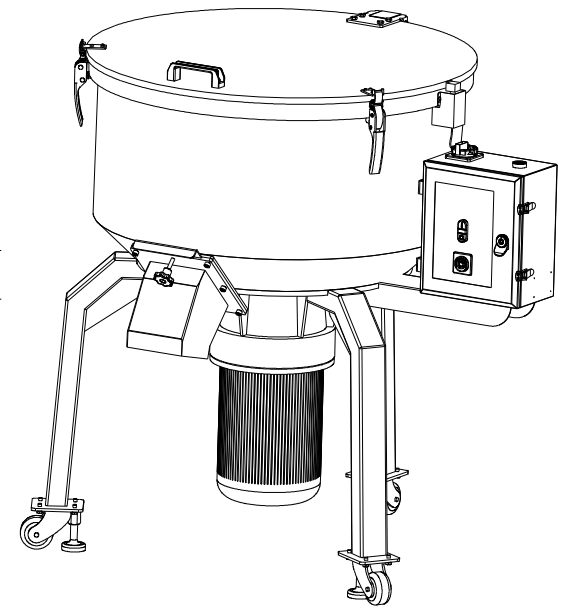
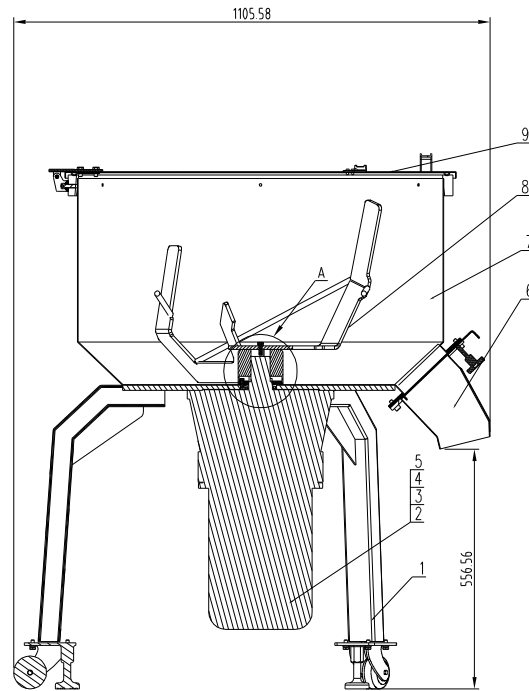
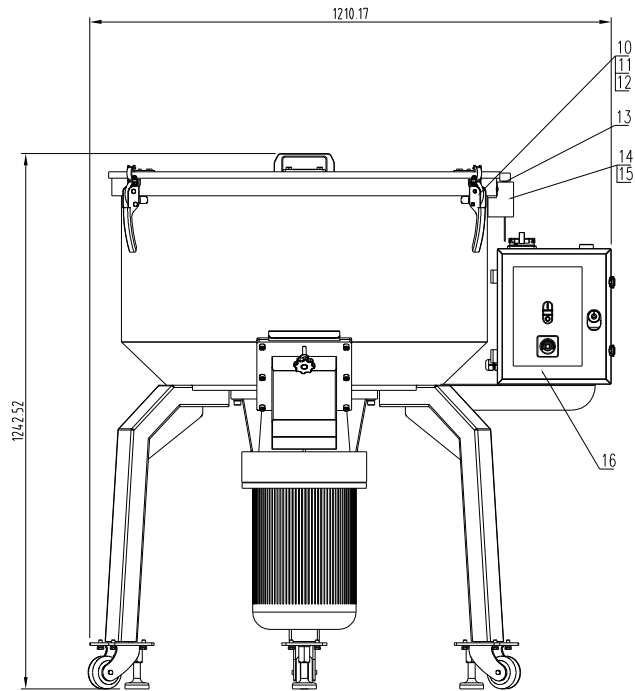
版本: Ver B



19	YR80355000000	Oil seal 35x50x10(for SVM)		1	
18	SVM-50EB-ALL-02	Shaft seal pressing plate	SUS201	1	
17	YW61061601200	Inner hexagon cylinder screw GB/T701 M6x16-12.9	Longzine	3	
16	SVM-100EB-F-ALL	Control box	Assembly	1	Borrowed
15	YW62061000000	Large cross socket flat head screw JIS1111 M6x10	Longzine	2	
14	SVM-50EB-ALL-01	Reed switch installation box	SPCC	1	
13	YE10123000000	Reed switch BN12-38BA Length 4mm/5-24VAC/Line length 2M		1	
12	YW61124000000	Standard spring washer GB/T93 6	Longzine	4	
11	YW65006000100	Hexagon bolt GB/T5781 M6x10-4.8	Longzine	4	
10	YW00121000000	Handle SEHD-25-A-09 (Inversion A) (with mold)	D235A	2	
9	SVM-50EB-E-ALL	Barrel cover assembly	Assembly	1	
8	SVM-50EB-D-ALL	Mixing assembly	Assembly	1	
7	SVM-50EB-C-ALL	Barrel assembly	Assembly	1	
6	SVM-50EB-B-ALL	Discharge port assembly	Weld assembly	1	
5	YW66081600000	Flat washer A grade GB/T93 16 Lx16		6	
4	YW65008000100	Standard spring washer GB/T93 8		6	
3	YW61083000000	Inner hexagon cylinder screw GB/T701 M6x30-12.9		6	
2	YM50117100200	Cylindrical needle reducer BL Y1-17-15KW/3q/380V/50		1	
1	SVM-50EB-A-ALL	Rack Body	Assembly	1	

序号	代号	名称	材质	数量	备注
	SVM-50EB	总装图	SVM-50EB-ALL	1	
制图	版号	0	比例	1:10	数量
设计	核准		材质	Assembly	
校对	日期	2024.03.11	表面要求	RAL9010&7021	
标记	更改前	更改后	物料号		

**SHINI** 信易电热机械股份有限公司  
Shini Plastics Technologies, Inc.



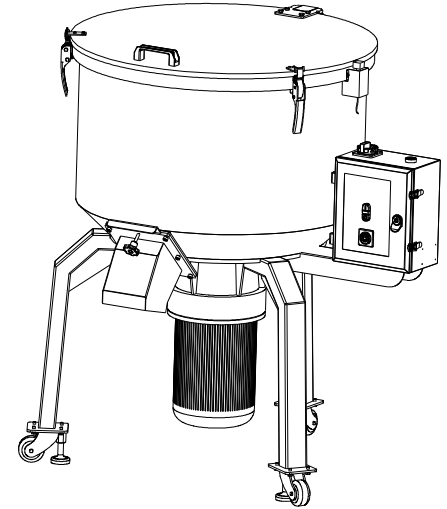
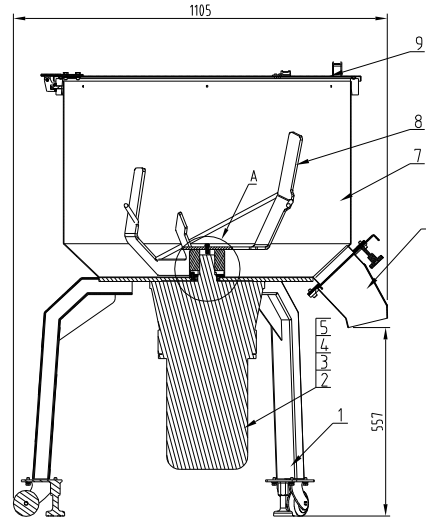
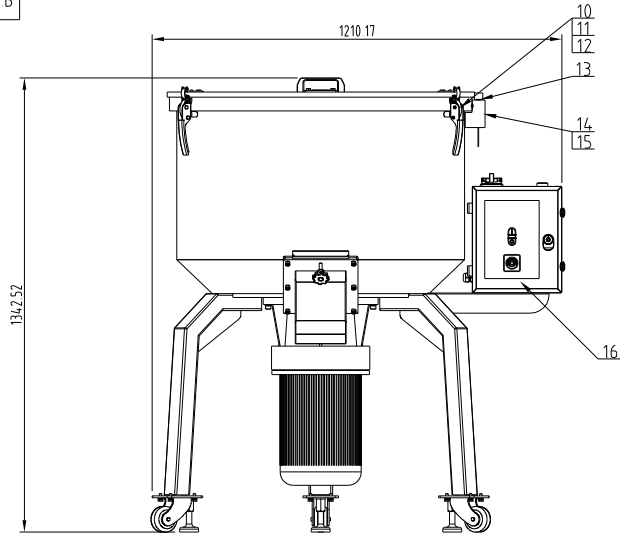
19	YR80456500000	Oil seal 45*65*12 (for SVM)		1	
18	SVM-100EB-ALL-02	Shaft seal pressing plate	SUS201	1	
17	YW61061601200	bar longer cylinder head size Ø170.1 Ø161-2.1	Longzine	3	
16	SVM-200EB-F-ALL	Control box	Assembly	1	Borrowed
15	YW62061000000	leg cover under the leg cover Ø110 Ø104-1pin	Longzine	2	
14	SVM-100EB-ALL-01	reed switch installation box	SPCC	1	
13	YE10123000000	rod shield Ø12-200 length Ø12-200 length Ø12		1	
12	YW65006000100	Standard spring washer GB/T93 6	Longzine	4	
11	YW60061000000	Hexagon bolt GB/T5781 M10-4.8	Longzine	4	
10	YW00121000000	Washer S20-25+0.05 (with mold)	Q235A	2	
9	SVM-100EB-E-ALL	Cover assembly	Assembly	1	
8	SVM-100EB-D-ALL	Mixing assembly	Assembly	1	
7	SVM-100EB-C-ALL	Barrel assembly	Assembly	1	
6	SVM-100EB-B-ALL	Discharge port assembly	Assembly	1	
5	YW66102000100	Flat washer 4 grade GB/T91.1 10(1.2x2)	Longzine	3	
4	YW65010000000	Standard spring washer GB/T93 10	Longzine	3	
3	YW61103000100	bar longer cylinder size Ø170.1 Ø164-2.1	Longzine	3	
2	YMS02173000000	Oxidized nitrile rubber O2-17-200(4)200(4)	Assembly	1	
1	SVM-100EB-A-ALL	Rack Body	Assembly	1	

Technical requirements:

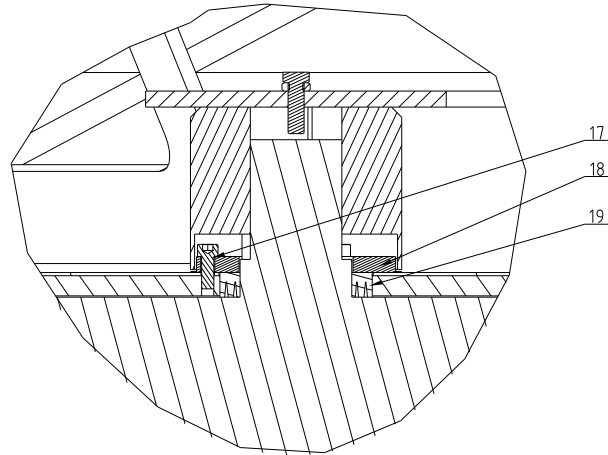
1. Deburring.
2. Chamfer the edges blunt.
3. Unnoted tolerance dimensions according to GB/T1804-m.
4. Motor power 3KW, reduction ratio 1:17.

制图	版号	0	标题	SVM-100EB	图号	SVM-100EB-ALL	比例	1:1	数量	1
设计	核准		总装图				表面要求		/	
校对	审核						物料编号		/	
标记	更改前	更改后	更改人	日期	审核	日期	2023-12-14	信易电热机械股份有限公司 Shini Plastics Technologies, Inc.		

版本: Ver B



A  
6:1



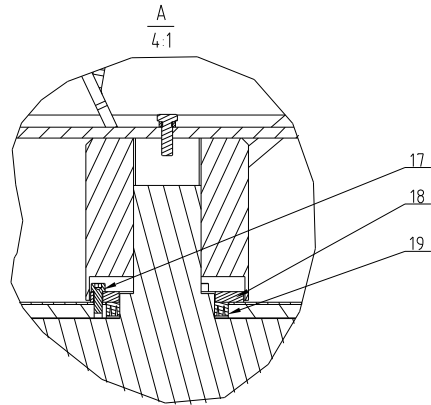
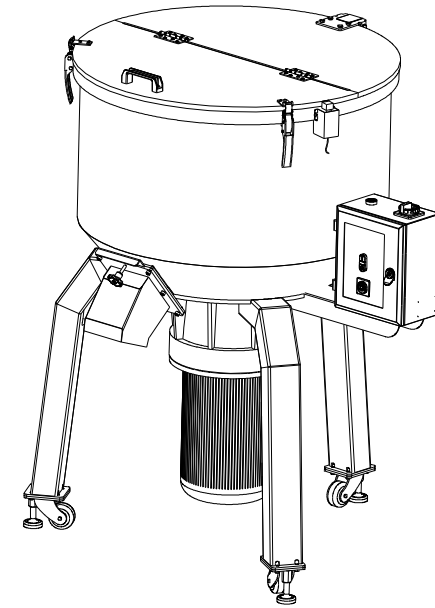
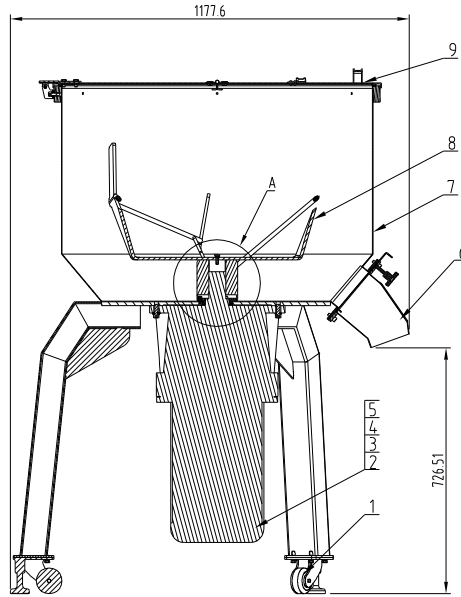
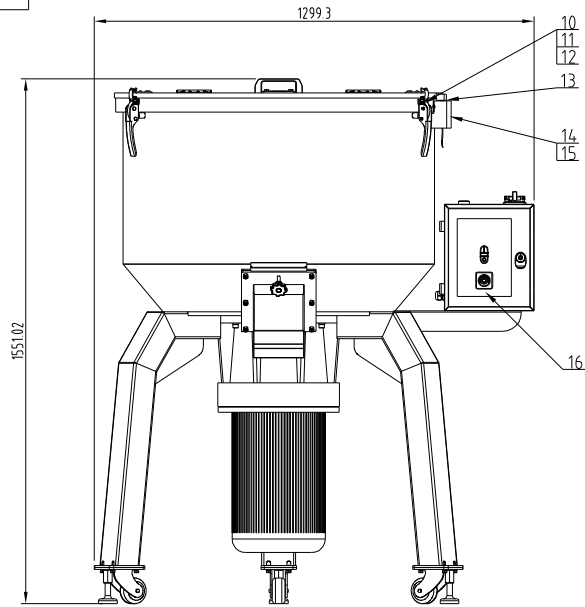
19	YR80755500000	Oil seal 75×55×12(for SVM)		1	
18	SVM-150EB-ALL-01	Shaft seal pressing plate	SUS201	1	
17	YW61061601200	Inner hexagon cylinder screw GB/T70.1 M6×16-12.9	Longzine	3	
16	SVM-100EB-F-ALL	Control box	Assembly	1	Borrowed
15	YW62061000000	Large cross socket flat head screw JIS1111 M6×10	Longzine	2	
14	SVM-100EB-ALL-01	Reed switch installation box	SPCC	1	Borrowed
13	YE10123000000	Reed switch BN72-30BAA Length:40mm/5-240VAC/Line length 2M		1	
12	YW61124.0000000	Standard spring washer GB/T193.6	Longzine	4	
11	YW65006000100	Hexagon bolt GB/T5781 M6×10-4.8	Longzine	4	
10	YW00121000000	Handle SEHD-25-A-08 (version Al (with metal))	O235A	2	
9	SVM-100EB-E-ALL	Barrel cover assembly	Assembly	1	Borrowed
8	SVM-150EB-C-ALL	Mixing assembly	Assembly	1	
7	SVM-150EB-B-ALL	Barrel assembly	Assembly	1	
6	SVM-100EB-B-ALL	Discharge port assembly	Weld assembly	1	Borrowed
5	YW66102000100	Flat washer A grade GB/T97.1 10(11x20x2)		6	
4	YW65010000000	Standard spring washer GB/T193.10		6	
3	YW61103000100	Inner hexagon cylinder screw GB/T70.1 M10×30-12.9		6	
2	YM503174.00100	Cycloidal needle reducer BL Y2-17-4KW/3p/380V/50		1	
1	SVM-150EB-A-ALL	Rack Body	Assembly	1	

序号	代号	名称	材质	数量	备注
		标题 SVM-150EB 总装图	图号 SVM-150EB-ALL	比例 1:14	数量 1
				材质 Assembly	
			表面要求	RAL9010&7021	
			物料号		

制图	版号	0	标题	图号
	核准		SVM-150EB 总装图	SVM-150EB-ALL
	校对			
标记	更改前	更改后	更改人	日期
				日期 2024.0220

**SHINI** 信易电热机械股份有限公司  
Shini Plastics Technologies, Inc.

版本: Ver B



19	YR80971000000	Oil seal 90*70*10(for SVM)		1	
18	SVM-200EB-ALL-01	Shaft seal pressing plate	SUS201	1	
17	YW61061601200	Inner hexagon cylinder screw GB/T70.1 M6x16-12.9	Longzine	3	
16	SVM-100EB-F-ALL	Control box	Assembly	1	Borrowed
15	YW62061000000	Large cross socket flat head screw JS1111 M6x10	Longzine	2	
14	SVM-100EB-ALL-01	Reed switch installation box	SPCC	1	Borrowed
13	YE10123000000	Reed switch BN12-30BAA Length 40mm/5-240VAC/Line length 2M		1	
12	YW61124000000	Standard spring washer GB/T93.6	Longzine	4	
11	YW65006000100	Hexagon bolt GB/T5781 M6x10-4.8	Longzine	4	
10	YW00121000000	Handle SEHD-25-A-08 (version A) (with mold)	Q235A	2	
9	SVM-200EB-D-ALL	Barrel cover assembly	Assembly	1	
8	SVM-200EB-C-ALL	Mixing assembly	Assembly	1	
7	SVM-200EB-B-ALL	Barrel assembly	Assembly	1	
6	SVM-100EB-A-ALL	Discharge port assembly	Weld assembly	1	Borrowed
5	YW66102000100	Flat washer A grade GB/T97.1 10(11x20x2)		6	
4	YW65010000000	Standard spring washer GB/T93.10		6	
3	YW61103000100	Inner hexagon cylinder screw GB/T70.1 M10x30-12.9		6	
2	YMS0417700100	Cyclodial needle reducer BLV4-17-7.5KW/3g/400V/50		1	
1	SVM-200EB-A-ALL	Rack Body	Assembly	1	

序号	代号	名称	材质	数量	备注
		标题 SVM-200EB		比例 1:14	数量 1
		图号 SVM-200EB-ALL		材质 Assembly	
		总装图		表面要求 RAL9010&7021	
标记	更改前	更改后	更改人	日期	审核
				日期 2024.03.15	

**SHINI** 信易电热机械股份有限公司  
Shini Plastics Technologies, Inc.

