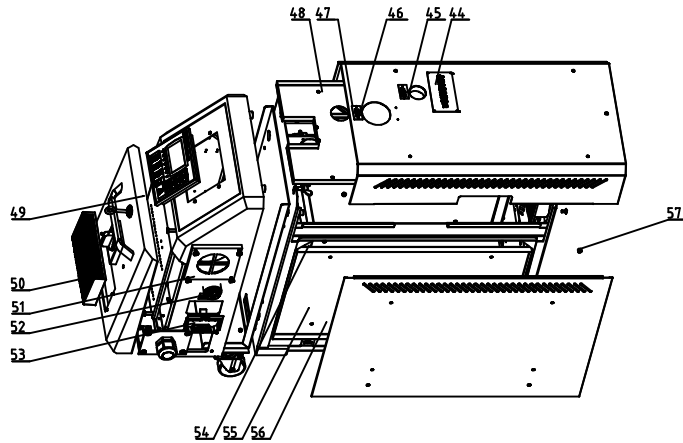
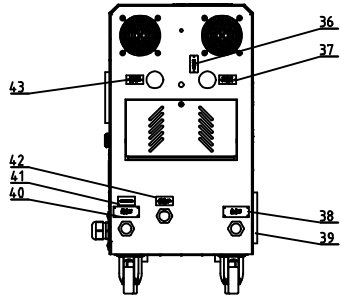


35	YW03002500000	Castor		4	2.5" without brake
34	STM-1207SHT-A-06	Right side plate		1	welding parts
33	YE84003500600	buzzer PK-35A 24V	PVC	1	
32	YE90048501200	RS485 comm. interface board		1	
31	YR40048500000	Shell RS485		1	
30	SG-S-01	Wire clamp fixed plate	SPCC2.0	1	Select the appropriate fixing plate according to the voltage
29	YE67002900000	Cable lock head	PVC	1	
28	YW62061000000	Large cross recessed flat head screw M6x16	Q235A	16	JIS1111
27	YW00040600200	Long fender door key	SUS201	1	CF-406-DH
26	YW00000000100	Long fender door lock	PVC	1	
25	YW63062000000	Cross recessed pan head screw M6x20	Q235A	4	GB/T-818
24	YE81184300200	STM controller		1	
23	STM-1207SHT-A-03	Controller		1	welding parts
22	YW66081600000	Flat washer A grade (8.4x16x1.6)	Q235A	2	GB/T97.1
21	YW69081500000	Butterfly bolt M8x5	Q235A	2	GB/T 3098
20	YW66082200100	Large washer C grade	Q235A	4	GB/T968 (8.4x24x2)
19	YW65008000100	Standard spring washer 8	65Mn	6	GB/T93
18	YW61082001200	Inner hexagon cylindrical screw M8x20	12.9	4	GB/T70.1
17	STM-1207SHT-A-08	Cover plate		1	welding parts
16	YM60352300000	Exhaust fan + high resp. with air screen		2	BI-SONIC/3.5E-230RH
15	STM-1207SHT-A-07	Left side plate		1	
14	YW01051000000	Pin spring	65Mn	6	for new model of STM
13	STM-1207SHT-A-01	Rack		1	welding parts
12	YP30424000000	Alu. plate label	2024	1	oil discharge valve
11	STM-1207SHT-A-02	Control box rear plate		1	welding parts
10	YP30437000000	Alu. plate label	2024	1	Shini nameplate
9	YP31158006000	Alu. plate label	2024	1	STM repair & maintenance
8	STM-1207SHT-A-04	Control box bottom plate	SECC1.5	1	
7	YW67040600600	Large cross recessed pan head tapping lock screw M6x6	Q235A	5	GB6560
6	YW62051000100	Large cross recessed flat head screw M6x16	Q235A	33	JIS1111
5	YW06219100000	Large hinge	2024	2	Shengjiu CL219-1
4	YW63040600000	Cross recessed pan head screw M4x6	Q235A	4	GB/T-823
3	YE10021160000	Main power switch	PVC	1	TO-2-L/BA/SVB/16A Mu Le
2	YW20660900100	Door plank alu. handle	2024	1	6609 (Ya Xuan)
1	STM-1207SHT-A-05	Door plank		1	welding parts
No.	Material number	Name	Mat.	Qty.	Remarks

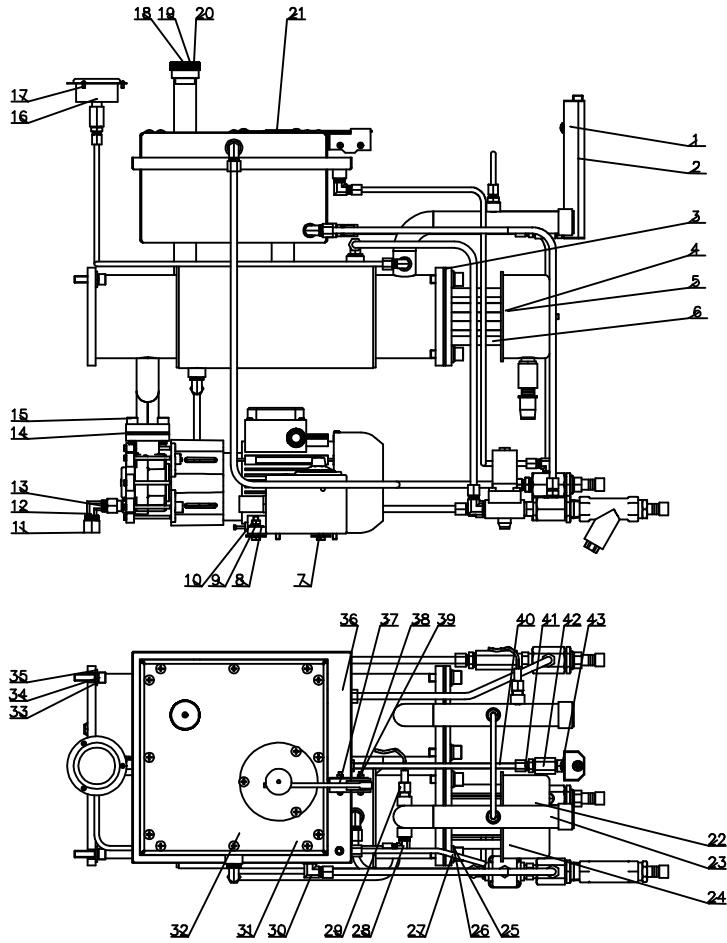
				制图	版号	标题	STM-1207SHT	册号	STM-1207SHT-A-ALL	比例	数量
				设计	核准		外壳钣金				材质
				校对							
				审核	日期					表面要求	
标记	更改前	更改后	更改人	日期	审核	日期				物料号	





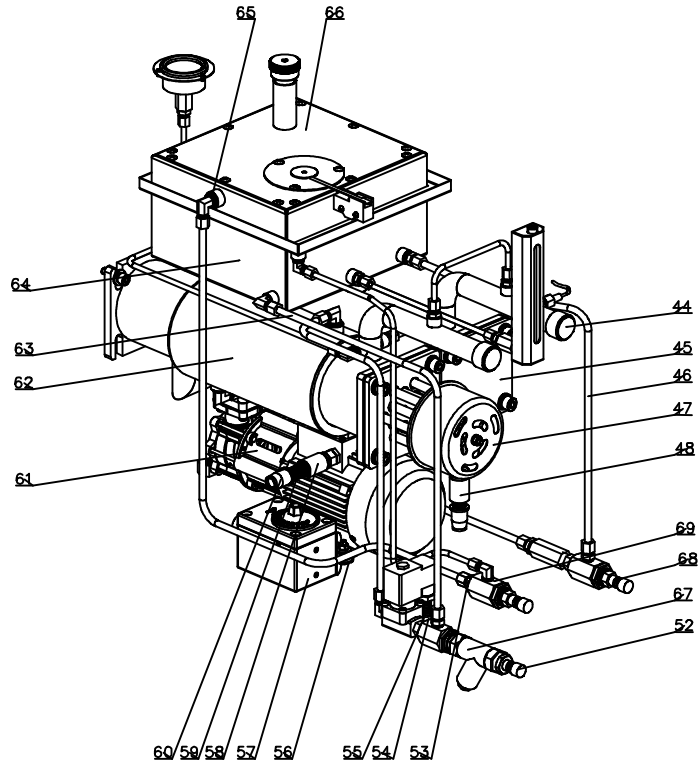
57	YW64050300000	Hex. nut M5	SUS304	12	GB/T6170
56	STM-1207SHT-A-10	Side plate thermal insulation board	SA02-1.0	2	
55	YW62052000000	Large cross recessed flat head screw M5x10	Q235A	4	JIS1111-Longzine
54	STM-1207SHT-A-11	Control box thermal insulation board assembly		1	
53	YP31051650000	Power alu. plate label	2024	1	Power triangle 3 phase 400V
52	YP30048500000	Alu. plate label	2024	1	485 comm. connector
51	YM60121206400	Exhaust fan		1	
50	STM-1207HT-A-17	Alu. cooler	6061	1	
49	YW00040600000	Door lock long fender	SUS201	1	MF-406-DH
48	STM-1207SHT-A-09	Cover plate thermal insulation board assembly		1	
47	YP30425000000	Alu. plate label	2024	1	pressure gauge
46	YW69020500000	Rivet 2x5	2024	41	GB/T 827
45	YP30529000000	Alu. plate label	2024	1	Oil filling port
44	YP31118600600	Alu. plate label	2024	1	Shell heat medium oil SS is used for domestic orders
43	YP30422000000	Alu. plate label	2024	1	from mould
42	YP30402000500	Overflow port alu. plate label	2024	1	
41	YP3109104.00000	Alu. plate label	2024	1	Clean the filter regularly
40	YP30431000000	Alu. plate label	2024	1	Filling port
39	YR40120300000	Air screen	PVC	1	GRM120-30(12x12)
38	YP30430000000	Alu. plate label	2024	1	water outlet
37	YP30423000000	Alu. plate label	2024	1	to mould
36	YP30102003100	Liquid level indicating label	2024	1	Alu. plate label version 4.0x20MM
No.	Material number	Name	Mat.	Qty.	Remarks

					制图	版号	标题	图号	比例	数量
					设计		STM-1207SHT	STM-1207SHT-A-ALL	1:1	1
					校对		外壳钣金			材质
					审核					
标记	更改前	更改后	更改人	日期	审核	日期	SHINI 佳易电热机械股份有限公司 Shini Plastics Technologies, Inc.		表面要求	物料号



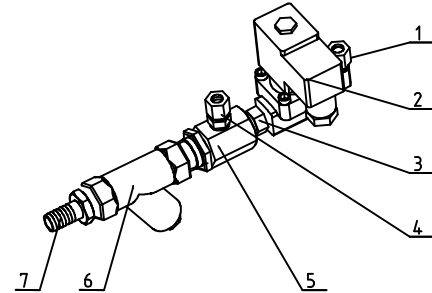
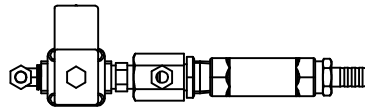
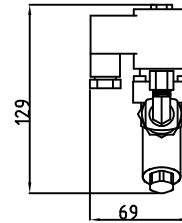
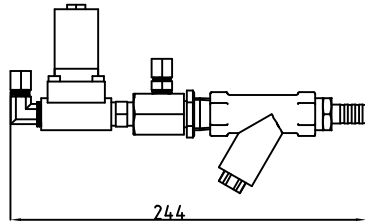
43	S-82	liquid indicator nut	H62	1	female 1/2" PT to female 1/2" H
42	BH12060701710	H to PT connector	H58	2	female 1/2" PT to female 1/2" H
41	YW05061400000	sleeve connector		5	6MMX1/4" PT(H59)
40	STM-1207SHT-B-16	liquid indicator pipe	SUS304	1	
39	YW63042500000	Gross recessed pan head screw M4x25	Q235A	2	GB/T-823
38	YW64000400500	hex. nut M4	A2-70	2	GB/T6170
37	YE14152400000	Micro switch		1	LXV5-1024 rod length: 10mm
36	YW05081400500	sleeve connector		1	8MMX1/4" PT (H59)
35	YW66081900000	flat washer	Q235A	4	8x19x2.0
34	YW61083000000	inner hexagon cylindrical screw M8x38	12.9	4	GB/T70.1
33	YW65008000100	standard spring washer 8	65Mn	4	GB/T93
32	YE67109000000	quick hose connector	PVC	1	WQG1-P09B
31	YE85540000000	Temp. regulator and detector		1	EGO 50-400 degree detector L: 90MM
30	YW05081400000	sleeve connector		1	8MMX1/4" PT type(H59)
29	BE90340200050	thermocouple	SUS304	2	2M
28	YW05061400100	sleeve connector		2	6MMX1/4" PT L type (H59)
27	YW66102000100	flat washer A grade 10	Q235A	8	GB/T97.1 (11x20x2)
26	YW65010000000	standard spring washer 10	65Mn	8	GB/T93
25	YW61103000100	inner hexagon cylindrical screw M10x38	12.9	8	GB/T70.1
24	YW64031600000	hex. nut 3/16	A2-70	12	
23	YW66061300000	flat washer A grade 6	Q235A	1	
22	YP51031640000	Safety ceramic cap 3/16	ceramic	6	Safety ceramic cap 3/16
21	STM-1207SHT-B-05	float ball		1	welding parts
20	STM-1215HT-B-17	oil cap	ZL102	1	high temp. oil cap
19	STM-1207SHT-B-04	oil box baffle pipe		1	welding parts
18	YW61030600100	Gross recessed countersunk head screw M6x6	Q235A	1	GB819
17	YW63030600000	Gross recessed pan head screw M6x6	Q235A	3	GB/T-823
16	YW85001000100	pressure gauge		1	0-1.0MPa range
15	YW61082500000	inner hexagon cylindrical screw M8x25	Q235A	8	GB/T70.1
14	YR10551500000	graphite gasket	ISO-68	2	for MP-55
13	STM-907HT-B-17	Oil drain extension screw	H58	1	borrow
12	YW04030800400	Tonflon connector	H58	1	1/4" PT x 3/8" H L
11	S-171	Teflon plug	H58	1	3/8" H plug
10	YW64000600300	hex. nut M6	Q235A	7	GB/T6170
9	YW65006000100	standard spring washer 6	65Mn	4	GB/T93
8	YW66061800000	flat washer A	Q235A	4	GB/T96.1(6x18x1.5)
7	YW60062500000	hex. bolt M6x25	4.8	4	GB/T5781
6	STM-1207SHT-B-06	pipe heater group		1	welding parts
5	YW66051300000	flat washer A grade 5	Q235A	12	GB/T97.1 (5.5x10x1)
4	YR30000400100	plastic plug 4" single hole red	PVC	12	
3	YR20121200000	flexible graphite gasket	ISO-68	2	120x120x2.0
2	S-60-ALL	liquid indicator nut		1	assembly
1	YW62051000100	Large recessed flat head screw M6x10	Q235A	18	JIS1111
No.	Material number	Name	Mat.	Qty.	Remarks

制图	版号	标题	图号	比例	数量
设计	核准	STM-1207SHT	STM-1207SHT-B-ALL		材质
校对		内部结构		表面要求	
审核	日期	信易塑料科技股份有限公司 Shini Plastics Technologies, Inc.		物料号	
标记	更改前			更改后	更改人



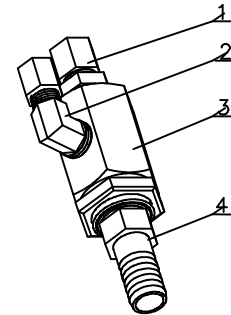
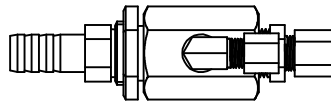
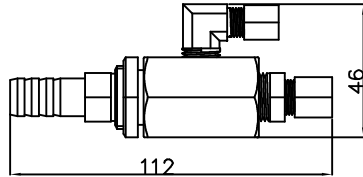
69	STM-1207SHT-B-19	Oil overflow port connector		1	
68	STM-1207SHT-B-18	Cooling water outlet connector		1	
67	STM-1207SHT-B-17	Cooling water inlet connector		1	
66	STM-1207SHT-B-03	Oil box cover assembly		1	welding parts
65	YW05083800100	sleeve connector		3	8MMX3/8"PT L type(H59)
64	STM-1207SHT-B-02	Cooling tank and oil tank		1	welding parts
63	STM-1207SHT-B-14	Oil tank cooling water outlet pipe	SUS304	1	
62	STM-1207SHT-B-01	Heating tank		1	welding parts
61	MP-55	Magnetic pump	Q235A	1	Made from Shini
60	YE67015800100	Hose plug	PVC	2	WQEAD15.8B
59	YE66015800000	Nylon hose	PA66	2	WY-PA6AD15.8B 13M
58	YE67111000000	Quick hose connector	PVC	1	WQG1-P11B
57	YR4.00004.01300	Plastic protective box EGO		1	Assembly
56	YW66082200100	Large washer C grade	Q235A	4	GB/T1968(8.4x24x2)
55	YE66001300000	Nylon hose	PA66	1	WY-PA6AD13.0B 13M
54	YE6700134.00000	Hose plug	PVC	1	WQEAD13.0B
53	YW05083800000	sleeve connector		1	8MMX3/8"PT (H59)
52	YR30010200000	Copper plug	rubber	3	1/2"PT
48	YE67165800000	Quick hose connector	PVC	1	WQG1-M16B/AD15.8
47	S-190	Pipe heater cover	SPCC1.0	1	
46	STM-1207SHT-B-13	Oil tank cooling water inlet pipe	SUS304	1	
45	STM-1207SHT-B-07	Cooling tank sealing plate	SPH6.0	1	
44	YR4.0251500100	Plastic plug without nut	PVC	2	SM25x1.5(black)
No.	Material number	Name	Mat	Num	Remarks

					制图		版号		图号	STM-1207SHT	图号	STM-1207SHT-B-ALL	比例	数量
					设计		核准			内部结构				材质
					校对								表面要求	
标记	更改前	更改后	更改人	日期	审核		日期				信易塑料机械股份有限公司 Shini Plastics Technologies, Inc.		物料号	



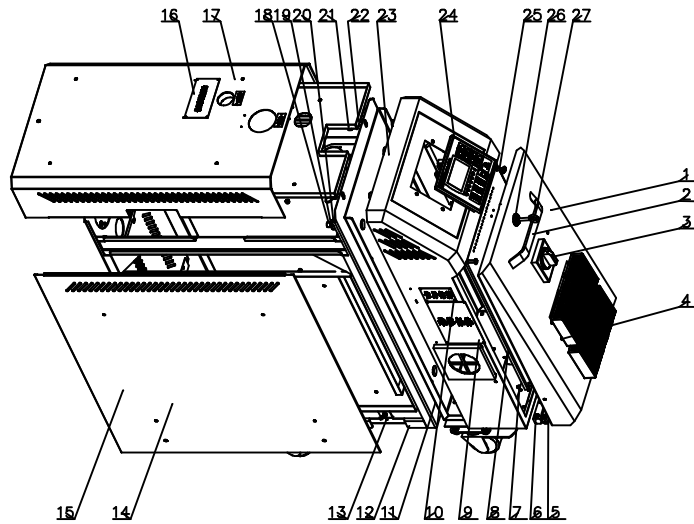
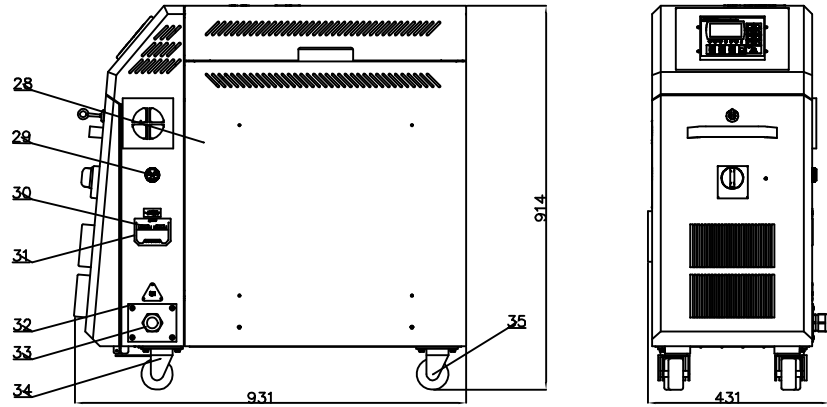
7	S-73	Copper insert	H62	1	M13×1/2"PT
6	YW57010200000	Y type water strainer	H62	1	1/2" PT 30-35 mesh
5	S-142	The 4th set of copper connector		1	
4	YW050814.00500	sleeve connector		1	8MMX1/4"PT (H59)
3	S-07	Tonflon	H58	1	3/8"PT×3/8"PT
2	YE323824.00000	Solenoid valve 24V		1	3/8PT (Kailing)
1	YW05083800100	sleeve connector		1	8MMX3/8"PT L type (H59)
No.	Material number	Name	Mat.	Num	Remarks

					制图	版号	标题	图号	比例	数量
					设计	核准	STM-1207SHT	STM-1207SHT-B-17		材质
					校对		冷却进水接头组件		表面要求	
标记	更改前	更改后	更改人	日期	审核	日期	SHINI 信易電熱機械股份有限公司 Shini Plastics Technologies, Inc.		物料号	



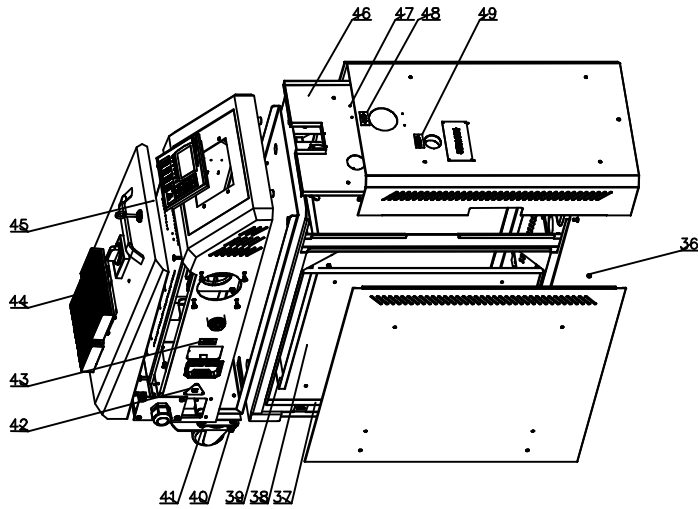
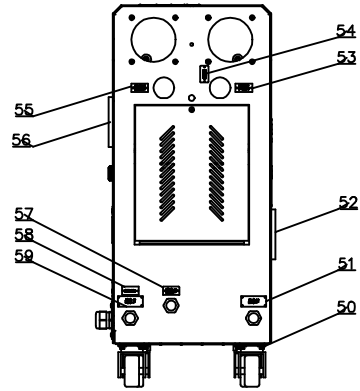
4	S-85	Copper insert	H58	1	3/8"PT x diameter13
3	S-84	Copper 3-way connector 3/4"		1	with common copper nut
2	YW050614.00100	sleeve connector		1	6MMX1/4"PT L type (H59)
1	YW05083800000	sleeve connector		1	8MMX3/8"PT (H59)
No.	Material number	Name	Mat.	Num	Remarks

					制图	版号	标题	图号	比例	数量
					设计	核准	溢油口接头组件	STM-1207SHT-B-19		材质
					校对		信易電熱機械股份有限公司 Shini Plastics Technologies, Inc.	表面要求		
标记	更改前	更改后	更改人	日期	审核	日期		物料号		



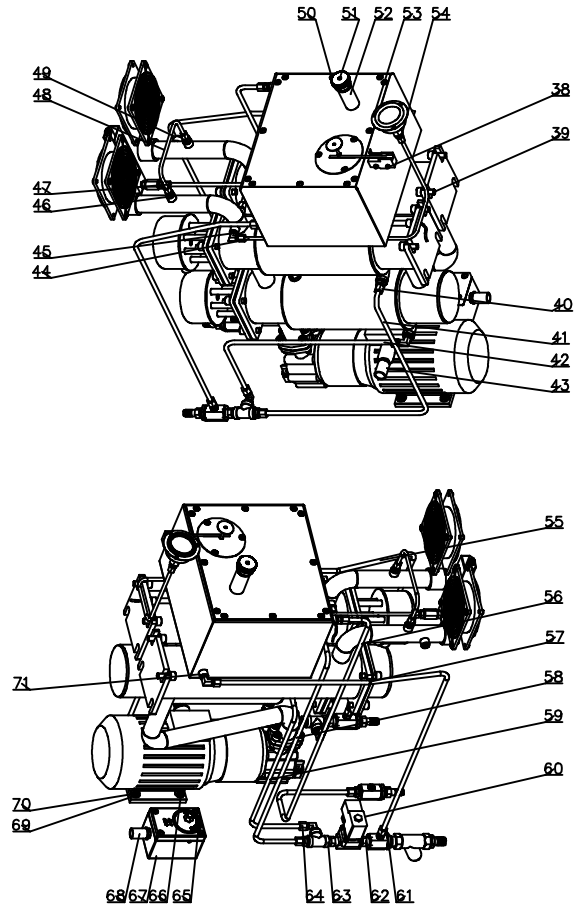
35	YW03000300200	3" without brake castor	Q235A	2	
34	YW03000300000	3" with brake castor	Q235A	2	
33	YE67002900000	cable lock head	PVC	1	PG29 4.00V 13.5
32	SG-S-01	cable lock head	SPCC2.0	1	Select the appropriate fixing plate according to the weight
31	YR40048500000	shell RS485		1	
30	YE90048501200	RS485 comm. interface board		1	
29	YE84003500600	buzzer PK-35A 24V	PVC	1	
28	STM-1815SHT-A-06	right side plate		1	welding parts
27	YW00040600200	Long fender door key	SUS201	1	CF-406-DH
26	YW00000000100	Long fender door lock	PVC	1	
25	YW63062000000	Cross recessed pan head screw M6x20	Q235A	4	GB/T-818
24	YE81184300200	STM controller		1	STM100-21(with comm. 180~430V)
23	STM-1815SHT-A-03	Controller		1	welding parts
22	YW66081600000	Flat washer A grade (8.4x16x1.6)	Q235A	2	GB/T97.1
21	YW69081500000	Butterfly bolt M8x5	Q235A	2	GB/T 3098
20	YW66082200100	Large washer C grade	Q235A	4	GB/T968(8.4x24x2)
19	YW65008000100	Standard spring washer 8	65Mn	6	GB/T93
18	YW61082001200	Inner hexagon cylindrical screw M8x20	12.9	4	GB/T70.1
17	STM-1815SHT-A-08	Cover plate		1	welding parts
16	YP31011801600	Heat transfer oil label	2024	1	
15	YP30424000000	Alu. plate label	2024	1	oil discharge valve
14	STM-1815SHT-A-07	Left side plate		1	
13	YW01051000000	Pin spring	SUS201	6	for new brand STM
12	STM-1815SHT-A-01	Rack		1	welding parts
11	STM-1815SHT-A-02	Control box rear plate		1	welding parts
10	YP30437000000	Alu. plate label	2024	1	Shini nameplate
9	YP31115800600	Alu. plate label	2024	1	STM repair & maintenance
8	STM-1815SHT-A-04	Control box bottom plate	SECC1.5	1	
7	YW67040600600	Large cross recessed pan head tapping lock screw M6x6	Q235A	6	GB6560
6	YW62051000100	Large cross recessed flat head screw M6x9	Q235A	33	JIS1111
5	YW06219100000	Large hinge	2024	2	Shengjiu CL219-1
4	YW63040600000	Cross recessed pan head screw M4x6	Q235A	8	GB/T-823
3	YE10021160000	Main power switch	PVC	1	TO-2-1/EA/SVB/16A Mule
2	YW20660900100	Door plank alu. handle	2024	1	6609(Ya Xuan)
1	STM-1815SHT-A-05	Door plank		1	welding parts
No.	Material number	Name	Mat.	Num	Remarks

				制图	原号	标题	STM-1815SHT	图号	STM-1815SHT-A-ALL	比例	数量
				设计	核准		外壳钣金				材质
				校对							表面要求
标记	更改前	更改后	更改人	日期	审核	日期	信昌電機機殼股份有限公司 Shini Plastics Technology, Inc.				物料号



59	YP3043100000	Alu. plate label	2024	1	water inlet
58	YP31091040000	Alu. plate label	2024	1	Clean the filter regularly
57	YP30402000500	Overflow port alu. plate label	2024	1	
56	YM60121200400	Exhaust fan + plastic screen		1	120×120
55	YP30422000000	Alu. plate label	2024	1	from mould
54	YP30102003100	Liquid level indicating label	2024	1	Alu. plate label version 40×20MM
53	YP30423000000	Alu. plate label	2024	1	to mould
52	YR40120300000	Air screen	PVC	1	GRM120-30(12×12)
51	YP30430000000	Alu. plate label	2024	1	water outlet
50	YW65060000000	Standard spring washer 6	65Mn	16	GB/T93
49	YP30529000000	Alu. plate label	2024	1	Oil filling port
48	YP30425000000	Alu. plate label	2024	1	pressure gauge
47	YW69020500000	Rivet 2×5	2024	41	GB/T 827
46	STM-1815SHT-A-12	Cover plate thermal insulation board assembly		1	
45	YW00040600000	Door lock long fender	SUS201	1	MF-406-DH
44	STM-1207HT-A-17	Alu. cooler	6061	2	
43	YP30048500000	Alu. plate label	2024	1	485 conn. connector
42	YP31051650000	Power alu. plate label	2024	1	Power triangle 3 phase 400V
41	YW66061800000	Large washer A grade 6	Q235A	16	GB/T96.1 (6×18×1.5)
40	YW60061500100	Hex. bolt M6×16	12.9	16	GB/T5783
39	STM-1815SHT-A-11	Control box thermal insulation board assembly		1	
38	YW62052000000	Large cross recessed flat head screw M5×20	Q235A	4	JIS1111-Longzine
37	STM-1815SHT-A-10	Side plate thermal insulation board	5A02-1.0	2	
36	YW64050300000	Hex. nut M5	SUS304	12	GB/T6170
No.	Material number	Name	Mat.	Qty.	Remarks

					制图	版号	标题	STM-1815SHT	图号	STM-1815SHT-A-ALL	比例	数量
					设计	核准	外壳钣金				材料	
					校对						表面要求	
标记	更改前	更改后	更改人	日期	审核	日期	信昌塑料科技股份有限公司 Shini Plastics Technology, Inc.				物料号	



72	STM-1815SHT-B-14	pipe heater assembly		2	welding parts borrow
71	YW05081400000	sleeve connector		1	8MMX1/4"PT L type(H59)
70	YW65060000000	standard spring washer 6	65Mn	4	GB/T93
69	YW66061800000	flat washer A grade 6	Q235A	4	GB/T96.1(6x18x1.5)
68	YE67109000000	quick hose connector	PVC	1	WQG1-P09B
67	YR40000401300	plastic protective box EGO		1	assembly
66	YW60062500000	hex. bolt M6x25	4.8	4	GB/T5781
65	YE85540000000	temp. regulator & detector		1	EGO 50-400 degree detector L: 90MM
64	YW05083800100	sleeve connector		3	8MMX3/8"PT L type(H59)
63	YW52030800000	1/2" stainless steel 3-way	SUS304	2	
62	S-07	Tonfiton	H58	3	3/8"PTx3/8"PT
61	YW05081400500	sleeve connector		4	8MMX1/4"PT (H59)
60	YE32382400000	Solenoid valve 24V		1	3/8PT (Kai Ling)
59	STM-1815SHT-B-07	Cooling water inlet pipe 1	SUS304	1	
58	STM-1815SHT-B-08	Cooling water inlet pipe 2	SUS304	1	
57	STM-1815SHT-B-11	Cooling tank cooling water inlet pipe	SUS304	1	
56	STM-1815SHT-B-13	Overflow pipe	SUS304	1	
55	STM-1815SHT-B-12	Oil tank cooling water outlet pipe	SUS304	1	
54	BH12060701710	H to PT connector	H58	2	female 1/2" PT to female 1/2" H
53	YW63030600000	Cross recessed pan head screw M3x6	Q235A	3	GB/T-823
52	STM-1815SHT-A-09	Oil tank fender oil pipe		1	welding parts
51	YW61030600100	Cross recessed countersunk head screw M3x4	Q235A	1	GB819
50	YW62051000100	Large cross recessed flat head screw M5x10	Q235A	26	JIS1111
49	YW80010200100	1/2" PT plug	H58	2	
48	STM-1815SHT-B-05	Oil bypass pipe	SUS304	1	
47	STM-1815SHT-B-06	Level indicator pipe	SUS304	1	
46	YW05061400000	sleeve connector		5	6MMX1/4"PT(H59)
45	YW05061400100	sleeve connector		1	6MMX1/4"PT L型(H59)
44	STM-1815SHT-B-04	pressure gauge pipe	SUS304	1	
43	YE67111000000	quick hose connector	PVC	1	WQG1-P11B
42	STM-1815SHT-B-09	cooling water outlet pipe 1	SUS304	1	
41	STM-1815SHT-B-10	cooling water outlet pipe 2	SUS304	1	
40	YW05083800000	sleeve connector		6	8MMX3/8"PT (H59)
39	YW61102500000	Inner hexagon cylindrical screw M10x25	12.9	4	GB/T70.1

No.	Material number	Name	Mat.	Qty.	Remarks
		STM-1815SHT			
		内部结构			STM-1815SHT-B-ALL
					比例 数量
					材质
					表面要求
					物料号

标记	更改前	更改后	更改人	日期	审核	日期
----	-----	-----	-----	----	----	----

