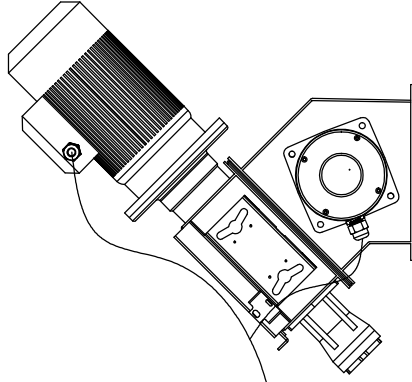
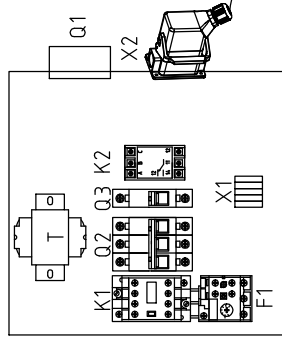
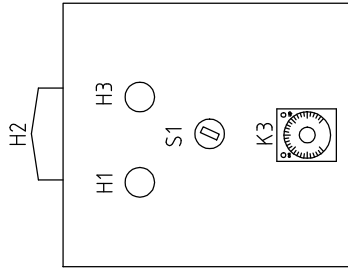
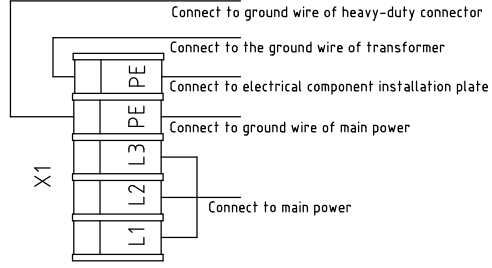
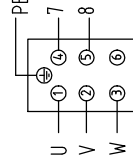


1 2 3 4 5 6 7 8

A B C D



X2 heavy duty connector



Subscript	Function	Description
1	Conveying motor U	Conveying motor
2	Conveying motor V	
3	Conveying motor W	
4	Limit switch NC	Limit switch
5	Limit switch COM	
6	PE	Motor earthing

Ver. B

Mark	Before modification	Modified by	Modified date	Date	20201010	Checked by	Proofread by	Designer	Drawer	Version	D	Title	SSC-50	Drawing NO.	SSC-50-CE-230V-D-3	Scale	Standard	CE	Totally	Page
	3	4	4																3	8
1	2	3	4	5	6	7	8	Voltage		Frequency		3Φ230V		50HZ						



