

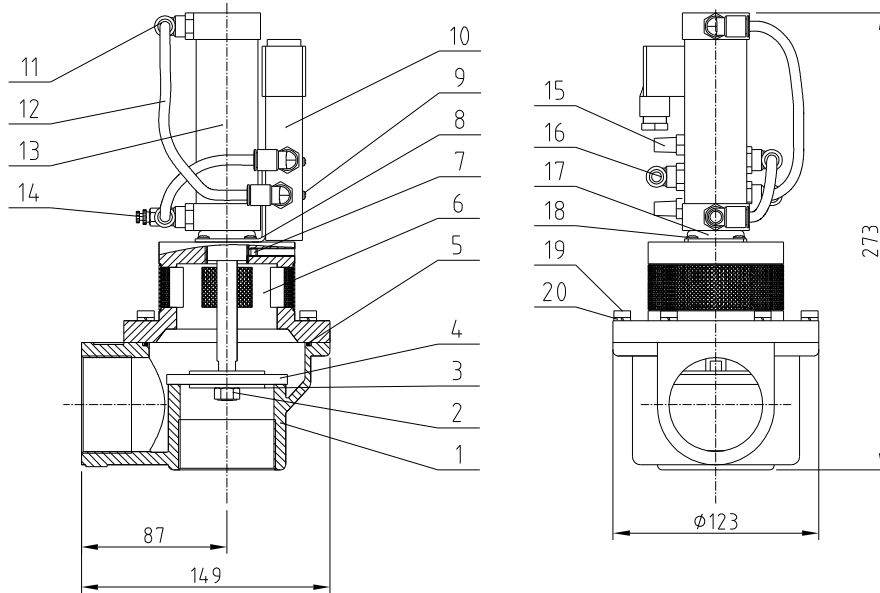
47		Three-way	SUS201	1	
46	BW20002002050	Aluminum pipe connector 2"	Assembly	1	
45	YW59150000000	Single way-valve 1.5" (copper)	Assembly	1	
44	YR50128200000	Suction box filter SP-F ext. 128* inner28*LBISCSF-200F-E-B-13	Assembly	1	●
43		Accumulator	Assembly	1	
42	YE32212000100	Solenoid valve 2W150-15/24VDC(Air TAC)	Assembly	1	●
41	YW80121200000	Thread direct connector APC12-04 1/2-Ø12(Air TAC)	Assembly	1	
40	YR60000400000	PU air pipeØ12 black 100/roll*	Plastic	12M	
39	YE68000401200	Heavy duty connector 4P-PE(upper shell-male pulside out. wire)Tan 4A-M	Assembly	12	
38		Filter barrel fixed frame	SPCC2.0	1	
37		Control bottom plate	SECC1.5	1	
36		Control box	SPCC1.5	1	
35		Connector fixed plate	SPCC2.0	1	
34		Integrated filter barrel	Assembly	1	
33	YR10080000300	Filter barrel fastener SAL-810G-A-03(Ver All)white	Nitrile rubber	2	●
32	YW80381200300	Thread direct connector APC12-03 3/8-Ø12(Air TAC)	Assembly	1	
31		Filter lid Assembly	Assembly	1	
30	YW50030800900	Copper ball core valve 3/8" (KITZ,anti-temp.180°)	Assembly	1	
29		Air inlet pipe	SUS201	1	
28	BY20005000300	Vacuum breaking diaphragm valve SVBV-50(24VDC)IVER.B)	Assembly	1	●
27	YE30200020000	Filter pressure regulating valve AFR-2000	Assembly	1	●
26	YW80801400000	T-branch thread 3-way connector AP08-02 1/4-Ø8(Air TAC)	Assembly	1	
25		Vacuum breaking diaphragm valve pipe	SUS201	1	
24		Filter fixing plate	SECC2.0	1	
23	YW69051600000	Butterfly nut 5/16"	Q235	1	
22	YR50181100000	Filter ADC2 (SMD-1000H-A-ALL-09) Ver 0	Assembly	1	●
21	YW62051000100	Large cross socket flat head screw JIS1111 M5x10-Longzhe		4	
20	BW09000030440	Arc 4-hole iron plate electroplate	Q235	1	
19	YR40000400000	Sight glass fastener four hole (SHD-12-A-54)	Rubber	1	
18	YR40001200100	Acryl 4-hole(SHD-12-A-55)	PC	1	
17	YR60002500000	Steel wire hose 2.5" (PUR355)	Assembly	0.3m	
16	YW02007600000	Steel wire pipe 76mm		2	
15		Air suction pipe	Assembly	1	
14	YR20002500300	Stainless steel punching clamp seal ring 2.5"	Silica	1	
13	YW07002501600	Stainless steel punching clamp 2.5"	Assembly	1	
12		Left column	Assembly	1	
11		Control box cover plate	SPCC1.5	1	
10	BL50135000020	Wire clamp fixed plate PG13.5 SG-S-01(has mould)	SPCC2.0	1	
9	YW02003000400	Adjustable spring buckle SAL-6U-A-35	Assembly	5	
8	YL22081000100	Transparent filter barrel SAL-810G-A-05(Ver B)(has mould)	Transparent PC	1	●
7	YW62041200000	Large cross socket flat head screw M6x12		4	
6	YR10243600000	Suction pipe round fastener SAL-24U/36U	Rubber	1	
5		Transparent filter hopper baffle	SUS201	1	
4	YM30252000100	Rough blower ZHB520H4613 4KW134230V400V/50/60HZthermal protection	Assembly	1	●
3		Right column	Assembly	1	
2		Base	SPCC3.0	1	
1	YW03004000100	Fuma wheel GD-40F black	Assembly	4	●
No.	Material number	Name	Mat.	Num.	Remarks

- Tech. Req.
- Main performance parameters.
    - The output of SCAL-5HP-UG1212-D is 1350kg/hr (the data is obtained under the test standard of materials' bulk density in diameter of 0.65kg/L, plastic particle diameter 3-5m, vertical height of 4 m, and horizontal distance of 5m)
    - Suction air pipe diameter: 3inch.
    - SCAL-5HP-UG1212-D host unit weight is 100KG.
    - High pressure blower power is 3 (3Φ) kW.
    - Pneumatic working pressure 0.4-0.8MPa.

2 "\*" indicates the items that may be damaged.  
 "\*\*" indicates the items that are more likely to be damaged  
 It is recommended to back them up.

Please confirm the version number of the instruction manual before placing an order to purchase spare parts, so as to ensure that the material number of spare parts is consistent with the physical one.

					制图	版号	标题	图号	比例	1:15	数量	1
					设计	核准	SCAL-5HP-UG1212-D	SCAL-5HP-UG1212-D-ALL				
					校对		中央式真空填料机					
标记	更改前	更改后	更改人	日期	审核	日期	信易电热机械股份有限公司 Shini Plastics Technologies, Inc.		表面要求			
									物料号			

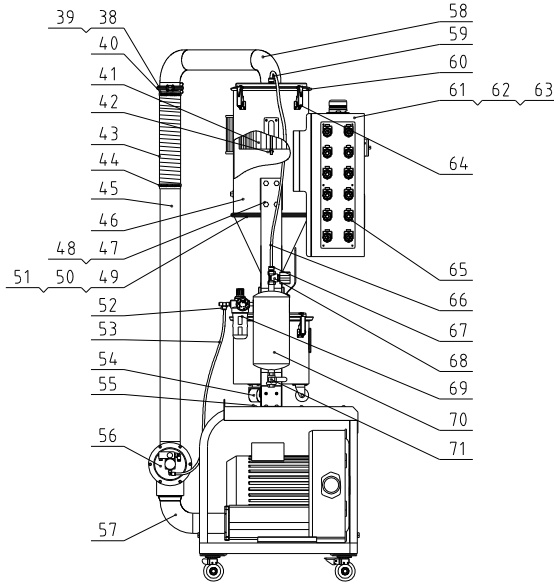
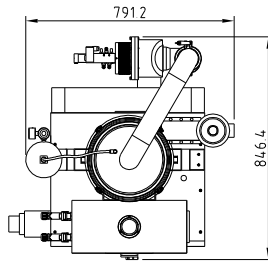
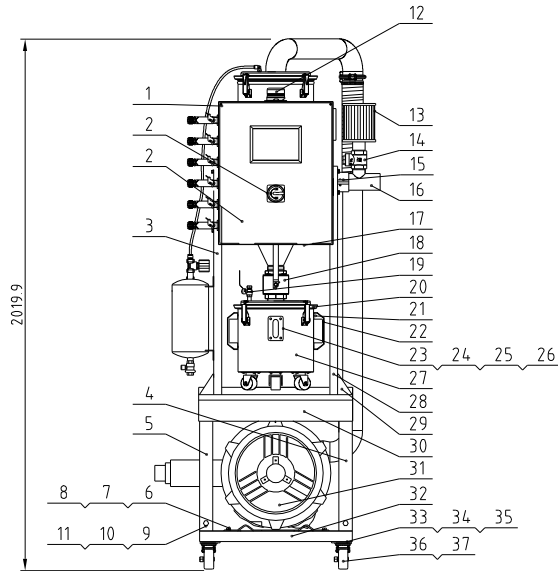


“\*”Indicates the items that may be damaged; “\*\*” indicates the items that are more likely to be damaged. It is recommended to back them up. Please confirm the version number of the instruction manual before placing an order to purchase spare parts, so as to ensure that the material number of spare parts is consistent with the physical one.

20	YW65006000100	Standard spring washer GB/T93 6-Longzine		6	
19	YW61062500000	Inner hexagon cylinder screw GB/T70 1 M6x25- A2-70(SUS)		6	
18	YW63040600000	Cross recessed pan head screw M4x6		4	
17	YR20305000000	O type seal ring $\phi 30 \times \phi 5 \bullet$	Rubber	1	
16	YW80081800100	L thread connector APL8-01 1/8- $\phi 8$	Assembly	1	
15	YW80010800000	Copper muffler 1/8"(has mould)	Assembly	2	
14	YW80061800000	Adjustable air pipe connector ASL6-1/8	Assembly	1	
13	YE31326000100	Cylinder MBL32x60U(Air TAC) $\bullet$	Assembly	1	
12	YR60000600400	PU air pipe $\phi 6$ black 200m/roll	PU	0.3m	
11	YW80061800200	L thread connector APL6-01 1/8- $\phi 6$	Assembly	3	
10	YE32421600100	Solenoid valve 4V210-06/AC24V $\bullet$	Assembly	1	
9	YW63042500000	Cross recessed pan head screw GB/T-818 M4x25-Longzine		2	
8	BL20380500020	Solenoid valve fixed piece SPDV-38-ALL-05	SPCC20	1	
7	YW68005500000	Inner hex flat end lock screw GB/T77 M5x5-Longzine		1	
6	BW20500100010	Upper cover SVBV-50-ALL-01	Assembly	1	
5	YR20259800000	Rubber O type seal ring 2.5x98 $\bullet$	Rubber	1	
4	BR10651200040	4-way valve diaphragm 65x12x8mm plastic covered (has mould) $\bullet$	Assembly	1	
3	BL90201870020	Gasket SPDV -63-A-03(SUS201)		2	
2		Hex nut M10x125		1	Come with Cylinder
1	BW20001501210	Lower cover SPDV-50-ALL-02 white	ZL101	1	
No.	Material number	Name	Mat	Num	Remarks

					制图	版号	标题	图号	比例	1:4	数量	1
					设计	核准	SVBV-50	SVBV-50-ALL		材质	Assembly	
					校对		破真空分离阀			表面要求		
标记	更改前	更改后	更改人	日期	审核	日期	信易电热机械股份有限公司 Shini Plastics Technologies, Inc.		物料号			

机器零件图与零件材料明细表 SCAL-10HP-UG1212-D



机型版本号: Ver.C

47	YW60085000000	Hex bolt GB/T5783 M8x50-8.8-Longzine		8	
46		Filter hopper (upper)	Assembly	1	
45		Vacuum breaking separating valve connection pipe	SUS201	1	
44	YW02008900000	Steel wire pipe 89mm		2	
43	YR60000300000	Steel wire hose 3"(PUR355)		0.45M	
42	YW69051600000	Butterfly nut 5/16"	Q235	1	
41	YR50024400000	Filter ext. 223xinner14.9xH 250	Assembly	1	●
40		Air suction pipe	Assembly	1	
39	YR20000300000	Stainless steel clamp seal ring 3"		1	
38	YW07000300300	Stainless steel stamping clamp 3"	SUS304	1	
37	YW03000300200	3" flexible black PPR castor W. 32mm	Assembly	2	●
36	YW03000300000	3" black PPR brake W. 32mm	Assembly	2	●
35	YW65006000100	Standard spring washer GB/T193 6		16	
34	YW66061800000	Flat washer A grade GB/T196 16		16	
33	YW60061500100	Hex bolt GB/T5783 M6x16-12.9		16	
32		Base	SPCC3.0	1	
31	YM30272000100	Ruijing blower 2HB720H56(15KW)	Assembly	1	●
30		Middle plate	SPCC2.0	1	
29		Column support	SPCC2.0	2	
28		Filter barrel right column	SPCC3.0	1	
27		Dust collection bin welding parts	Assembly	1	
26	YW62051000100	Cross socket flat-head screw JIS1111 M5x10-Longzine		8	
25	BW09000030440	Arc 4-hole iron plate electroplate	Q235	2	
24	YR40000400000	Sight glass fastener four hole (SHD-12-A-54)	Rubber	2	
23	YR40001200100	Acryl 4-hole (SHD-12-A-55)	PC	2	
22	BW20012000040	Aluminum handle L120	YL112	2	
21	YW61061601200	Inner hex column head screw GB/T1701 M6x16-12.9-Longzine		4	
20		Dust collection bin cover	Assembly	1	
19	YW50041000000	Copper ball valve 1/4" PT	Assembly	1	
18	YW50020000000	Copper ball valve 2"	Assembly	1	
17	BL50135000020	Wire fixture fixed plate PG135 5G-5-01has mould)	SPCC2.0	1	
16		Three way pipe	SUS201	1	
15	BW20002500050	Aluminum pipe connector 2.5"	Assembly	1	
14	YW59150000000	Single way-valve 15" (copper)	Assembly	1	
13	YR50128200000	Suction box filter SP-F ext. 128x inner28x14.8	Assembly	1	●
12	BL90000011520	Three color alarm light (red, yel, green, + buzzer)AC/DC24	Assembly	1	
11	YW65008000100	Standard spring washer GB/T193 8-Longzine		16	
10	YW66081600000	Flat washer A grade GB/T196 16x4.16x1616Longzine		24	
9	YW60081600100	Hexagon bolt GB/T5781 M8x16-4.8-Longzine		4	
8	YW66103200000	Flat washer A grade GB/T196 10x10.5x30x2.51-Longzine		4	
7	YW64101100000	Hex nut M10 anti-loose (thickness 1mm)		4	
6	YW61104000200	Inner hex column head screw GB/T1701 M10x40-12.9-Longzine		4	
5		Bracket second assembly	Q235A	1	
4		Bracket first assembly	Q235A	1	
3		Filter barrel left column	SPCC3.0	1	
2		Control box cover plate	SPCC1.5	1	
1	YW67050800000	Cross socket pan head self-tapping lock screw GB6560 M5x8-Longzine		10	

71	YW50030800900	Copper ball core valve 3/8" (IK12, anti-temp 180°)	Assembly	1	
70		Accumulator	Assembly	1	
69	YE30200020000	Filter pressure regulating valve AFR-2000	Assembly	1	●
68	YE3212000100	Solenoid valve 2W150-15/24VDC	Assembly	1	●
67	YW80121200000	Thread direct connector APC12-04 1/2-Ø12	Assembly	1	
66	YR60000400000	PU Air pipe#12 black 100M/roll	Plastic	1M	
65	YE68000401200	Heavy duty connector 4P-PE(upper shell+male pin)side out. wire))	Assembly	12	
64	YW02003000400	Spring buckle adjustable SCAL-FIL-A-35	Assembly	8	
63		Control bottom plate	SECC15	1	
62		Control box	SPCC1.5	1	
61		Connect to fixed plate	SPCC2.0	1	
60	YR10028700000	Filter barrel fastener Ø287 rubber	Rubber	2	●
59	YW80381200300	Thread direct connector APC12-03 3/8-Ø12	Assembly	1	
58		Filter lid Assembly	Assembly	1	
57		Air inlet pipe	SUS201	1	
56	BY20007600450	Vacuum breaking diaphragm valve 5BVV-76(24VDC)(Ver.B)	Assembly	1	●
55	YW62061000000	Large cross socket flat head screw JIS1111 M6x10-Longzine		26	
54	YW03000200000	Black castor 2"	Assembly	3	
53	YR60000800000	PU air pipe Ø8xØ6 black 100M/roll	Plastic	0.8M	
52	YW80801400000	T-branch thread 3-way connector APD8-02 1/4-Ø8	Assembly	1	
51	YR10241300100	Large hopper fastener SMR-24U-A-13(white silical gel)	White silica gel	1	
50		Bundle ring combination	Assembly	1	
49		Filter hopper (lower)	Assembly	1	
48	YW64080600000	Hex nut GB/T6170 M8 Longzine		8	

Tech. Req.

1. Main performance parameters

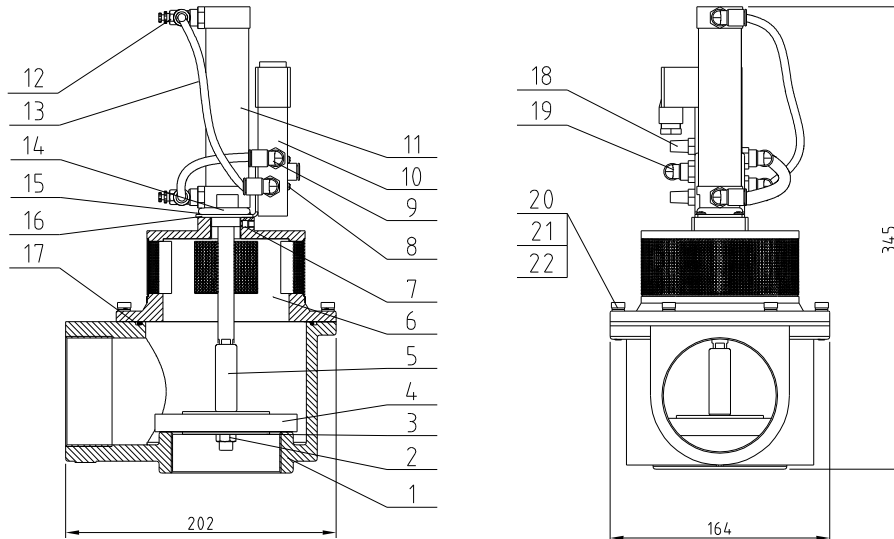
- a. The output of SCAL-10HP-UG1212-D is 2000kg/hr (the data is obtained under the test standard of materials\* bulk density in diameter of 0.65kg/L, plastic particle diameter 3-5m, vertical height of 4 m, and horizontal distance of 5m)
- b. Suction air pipe diameter: 3inch.
- c. SCAL-10HP-UG1212-D host unit weight is 230KG.
- d. High pressure blower power is 7.5 (3Ф) kW.
- e. Pneumatic working pressure 0.4-0.8MPa.

2.\*Indicates the items that may be damaged.

\*\* indicates the items that are more likely to be damaged. It is recommended to back them up

Please confirm the version number of the instruction manual before placing an order to purchase spare parts, so as to ensure that the material number of spare parts is consistent with the physical one.

					制图	版号	标题	图号	比例	1:18	数量	1
					设计	核准	SCAL-10HP-UG1212-D	SCAL-10HP-UG1212-D-ALL			材质	Assembly
					校对		中央式真空填料机				表面要求	
					审核		<b>SHINI</b>	信易电热机械股份有限公司			物料号	
标记	更改前	更改后	更改人	日期	日期							



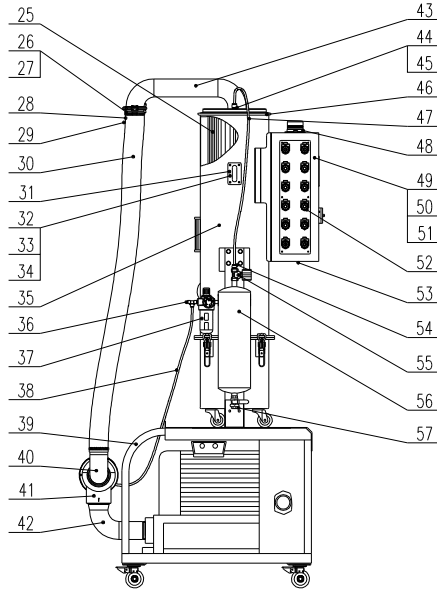
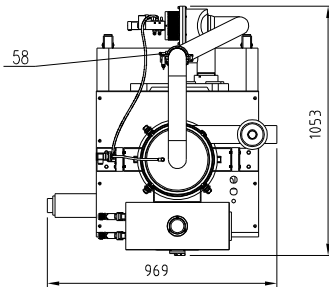
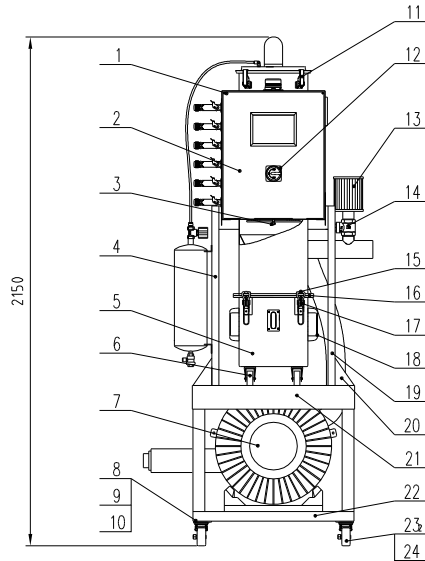
\* indicates the items that may be damaged, \*\* indicates the items that are more likely to be damaged. It is recommended to back them up. Please confirm the version number of the instruction manual before placing an order to purchase spare parts, so as to ensure that the material number of spare parts is consistent with the physical one.

22	YW65006000100	Flat washer A grade GB/T97.16-Longzine		6	
21	YW65006000100	Standard spring washer GB/T93 6-Longzine		6	
20	YW61062501200	Inner hexagon cylinder screw GB/T70.1 Mx25-12.9-Longzin for automation		6	
19	YW80081800100	L thread connector APL8-01 1/8-Ø8(Air TAC)	Assembly	1	
18	YW80010800000	Copper muffler 1/8"	Assembly	2	
17	YR20013030000	O type seal ring ext. dia.:130 wire diameter: 3	VITON	1	
16	BL20380500020	Solenoid valve fixed piece	SPCC2.0	1	
15	YW63040600000	Cross recessed pan head screw GB/T-818 M4x6-Longzine		4	
14	YR20305000000	O type seal ring Ø30xØ5 x	Rubber	1	
13	YR60000600400	PU air pipe Ø6 black 200m/roll	PU	0.5M	
12	YW80061800000	Adjustable air pipe connector ASL6-1/8	Assembly	2	
11	YE31258000000	Cylinder MAL25x80-UIAIRTAC)	Assembly	1	
10	YE32421600100	Solenoid valve 4V210-06/AC24V	Assembly	1	•
9	YW80061800200	L thread connector APL6-01 1/8-Ø6(Air TAC)	Assembly	2	
8	YW63042500000	Cross recessed pan head screw GB/T-818 M4x25-Longzine		2	
7	YW68005500000	Inner hex flat end lock screw GB/T77 M5x5-Longzine		1	
6	BA90760200010	Upper cover	Assembly	1	
5	BH10007600310	Diaphragm fixed screw	Q235	1	
4	BL90007600040	Diaphragm	Assembly	1	•
3	BL90760500120	Diaphragm washer	SUS201	2	
2	YW64101100000	Hex nut M10 anti-loose (thickness: 11mm)		1	
1	BA90760100010	Lower cover	AC4B	1	
No.	Material number	Name	Mat.	Num.	Remarks

					制图	版号	标题	图号	比例	1:5	数量	1	
					设计	核准	SVBV-76	SVBV-76-ALL		材质			Assembly
					校对	核准	信易電熱機械股份有限公司 Shini Plastics Technologies, Inc.			表面要求			
标记	更改前	更改后	更改人	日期	审核	日期					物料号		

机器零件图与零件材料明细表SAL-20HP-UG-D

机型版本号: Ver. A



46	YR10028700000	Filter barrel fastener Ø27 rubber(see note)	Rubber	1	
45	BH13033000810	Overall opening nut M12-30+0.010	6061	1	
44	YW80381200300	Thread direct connector M22-1.5/2-02	Assembly	1	
43		Filter cover assembly	Assembly	1	
42		Air inlet pipe	SUS201	1	
41	BY20007600450	Non-leaking separating wire Ø27-Ø20(2) *	Assembly	1	
40		Non-leaking separating wire connecting pipe	SUS201	1	
39		Welding diagram of bracket	SPCC2.0	2	
38	YR60000800000	PU air pipe Ø6*6 black 100M/roll	Plastic	0.8	
37	YE30200020000	Filter pressure regulating valve Ø12*20	Assembly	1	
36	YW80801400000	Hex-head thread 3-way connector 1/4" Ø	Assembly	1	
35		Integrated filter barrel	Assembly	1	
34	YR40000400000	Sight glass fastener four hole *	Rubber	2	
33	YR40001200100	Acrylic four-hole material PC *	PC	2	
32	BW090000304.40	Acrylic four-hole iron sheet	Q235A	2	
31	YW62051000100	Lap cover under the lid cover Ø210 1/2 long		8	
30	YR60303000000	Steel wired plastic pipe 3" *		1.7	
29	YW02003500000	Steel wire hose 3.5"	SUS201	2	
28		Air suction pipe	SUS201	1	
27	YW07000300300	Stainless steel punching clamp 3"	SUS304	1	
26	YR20000300000	Stainless steel punching clamp rail ring 3"	Silica gel	1	
25	YR50226000000	Filter Ø225*Ø145*600 *	Assembly	1	
24	YW03000300000	Brake type universal caster 3"	Assembly	2	
23	YW03000300200	Free type universal caster 3"	Assembly	2	
22		Base	SPCC3.0	1	
21		Middle plate	SPCC2.0	1	
20		Column support	SPCC2.0	2	
19		Filter barrel left column	SPCC2.0	1	
18	BW20012000040	Aluminum square handle L120	YL112	2	
17	YW00121000400	Large handle(for SAL-20HP-UG-D)	Assembly	4	
16	YR10002500200	Pastener of hopper SBD-25 *	Silica gel	1	
15		Snap hook	SUS201	4	
14	YW59150000000	Single way-valve 1.5" (copper)	Assembly	1	
13	YR50128200000	Section box filter ext. 125*100*20*18 *	Assembly	1	
12	YE10210300000	Main power switch	Assembly	1	
11	YW02003000400	Spring handle adjustable SAL-Ø14*35	Assembly	4	
10	YW60061500100	Hexagon bolt Ø2/320 12.9 long		16	
9	YW66061300000	Flat washer 1 grade Ø2/31.1 6 long		16	
8	YW65006000100	Standard spring washer Ø2/33 6 long		16	
7	YM30211000100	Anti-static blower ZBR30036 110V *	Assembly	1	
6	YW03000200000	Black castor 2"	Assembly	3	
5		Dust collective hopper	SPCC1.5	1	
4		Filter barrel right column	SPCC2.0	1	
3	YW69051600000	Butterfly nut 5/16"	Q235A	1	
2		control box cover plate	SPCC1.5	1	
1	YW67050800000	Cover under the lid anti-static bag cover Ø210 1/2		4	

58	YW82000100000	Release valve RV-02	Assembly	1	
57	YW50030800900	Copper ball core valve 3/4" UNF and 1/2" UNF	Assembly	1	
56		Accumulator	Assembly	1	
55	YE32212000100	Solenoid valve ZW150-15/24DC *	Assembly	1	
54	YW80121200000	Thread direct connector M22-1.5/2-02	Assembly	1	
53	BL45000502120	Wire fixture fixed plate M5 36-5-01	SPCC2.0	1	
52	YE68000401200	Hex key connector Ø10*100 ball head 1/2" UNF and 1/4" UNF	Assembly	12	
51		Connect to fixed plate	SPCC2.0	1	
50		Control box	SPCC1.5	1	
49		Control bottom plate	SPCC1.5	1	
48	BL90000011520	Three roller roller long ball ball for 1/2" UNF and 1/4" UNF	Assembly	1	
47	YR60000400000	PU Air pipe Ø12 black 100M/roll	Plastic	1	

Tech. Req.

1. Main performance parameters

- a. The output of SAL-20HP-UG1212-D-ALL is 2000kg/hr (the data is obtained under the best standard of materials' bulk density in diameter of 0.65kg/L, plastic particle diameter 3-5m, vertical height of 4 m, and horizontal distance of 5m)
- b. Suction air pipe diameter: 3inch,
- c. SAL-20HP-UG1212-D host unit weight is 260KG,
- d. High pressure blower power is 11.33kw,
- e. Pneumatic working pressure 0.4-0.8MPa.

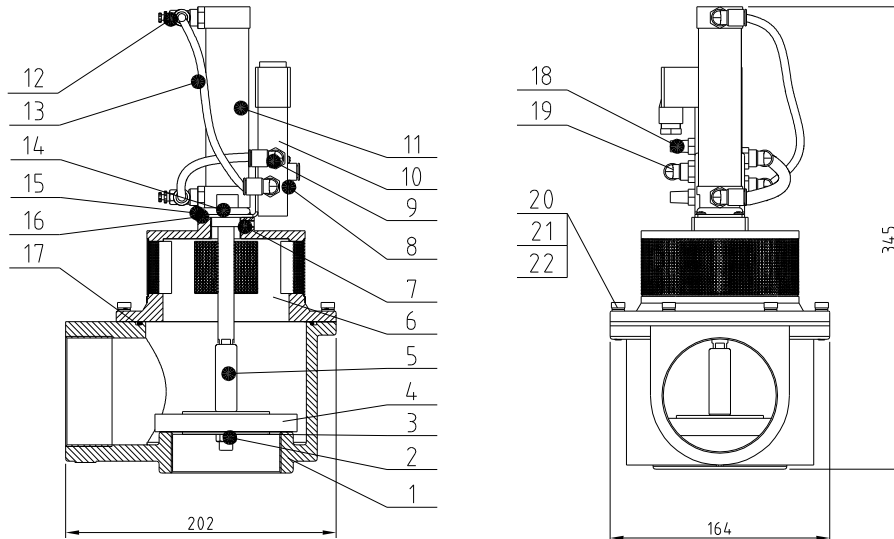
2. "\*" indicates the items that may be damaged.

"\*\*" indicates the items that are more likely to be damaged. It is recommended to back them up.

Please confirm the version number of the instruction manual before placing an order to purchase spare parts, so as to ensure that the material number of spare parts is consistent with the physical one.

					制图	版号	0	标题	CAL-20HP-UG1212-D	图号	SCAL-20HP-UG1212-D-ALL	比例	1:20	数量	1	
					设计	核准			中式真空填料机						材质	组件
					校对											
标记	更改前	更改后	更改人	日期	审核	日期	20230301					表面要求				
												物料号				





\* indicates the items that may be damaged, \*\* indicates the items that are more likely to be damaged. It is recommended to back them up. Please confirm the version number of the instruction manual before placing an order to purchase spare parts, so as to ensure that the material number of spare parts is consistent with the physical one.

22	YW65006000100	Flat washer A grade GB/T97.16-Longzine		6	
21	YW65006000100	Standard spring washer GB/T93 6-Longzine		6	
20	YW61062501200	Inner hexagon cylinder screw GB/T70.1 Mx25-12.9-Longzin for automation		6	
19	YW80081800100	L thread connector APL8-01 1/8-Ø8(Air TAC)	Assembly	1	
18	YW80010800000	Copper muffler 1/8"	Assembly	2	
17	YR20013030000	O type seal ring ext. dia.:130 wire diameter: 3	VITON	1	
16	BL20380500020	Solenoid valve fixed piece	SPCC2.0	1	
15	YW63040600000	Cross recessed pan head screw GB/T-818 M4x6-Longzine		4	
14	YR20305000000	O type seal ring Ø30xØ5 x	Rubber	1	
13	YR60000600400	PU air pipe Ø6 black 200m/roll	PU	0.5M	
12	YW80061800000	Adjustable air pipe connector ASL6-1/8	Assembly	2	
11	YE31258000000	Cylinder MAL25x80-UIAIRTAC)	Assembly	1	
10	YE32421600100	Solenoid valve 4V210-06/AC24V	Assembly	1	*
9	YW80061800200	L thread connector APL6-01 1/8-Ø6(Air TAC)	Assembly	2	
8	YW63042500000	Cross recessed pan head screw GB/T-818 M4x25-Longzine		2	
7	YW68005500000	Inner hex flat end lock screw GB/T77 M5x5-Longzine		1	
6	BA90760200010	Upper cover	Assembly	1	
5	BH10007600310	Diaphragm fixed screw	Q235	1	
4	BL90007600040	Diaphragm	Assembly	1	*
3	BL90760500120	Diaphragm washer	SUS201	2	
2	YW64101100000	Hex nut M10 anti-loose (thickness: 11mm)		1	
1	BA90760100010	Lower cover	AC4B	1	
No.	Material number	Name	Mat.	Num.	Remarks

					制图	版号	标题	图号	比例	1:5	数量	1
					设计	核准	SVBV-76	SVBV-76-ALL			材质	Assembly
					校对	核准	破真空分离阀					
标记	更改前	更改后	更改人	日期	审核	日期	信易電熱機械股份有限公司 Shini Plastics Technologies, Inc.			表面要求		
										物料号		