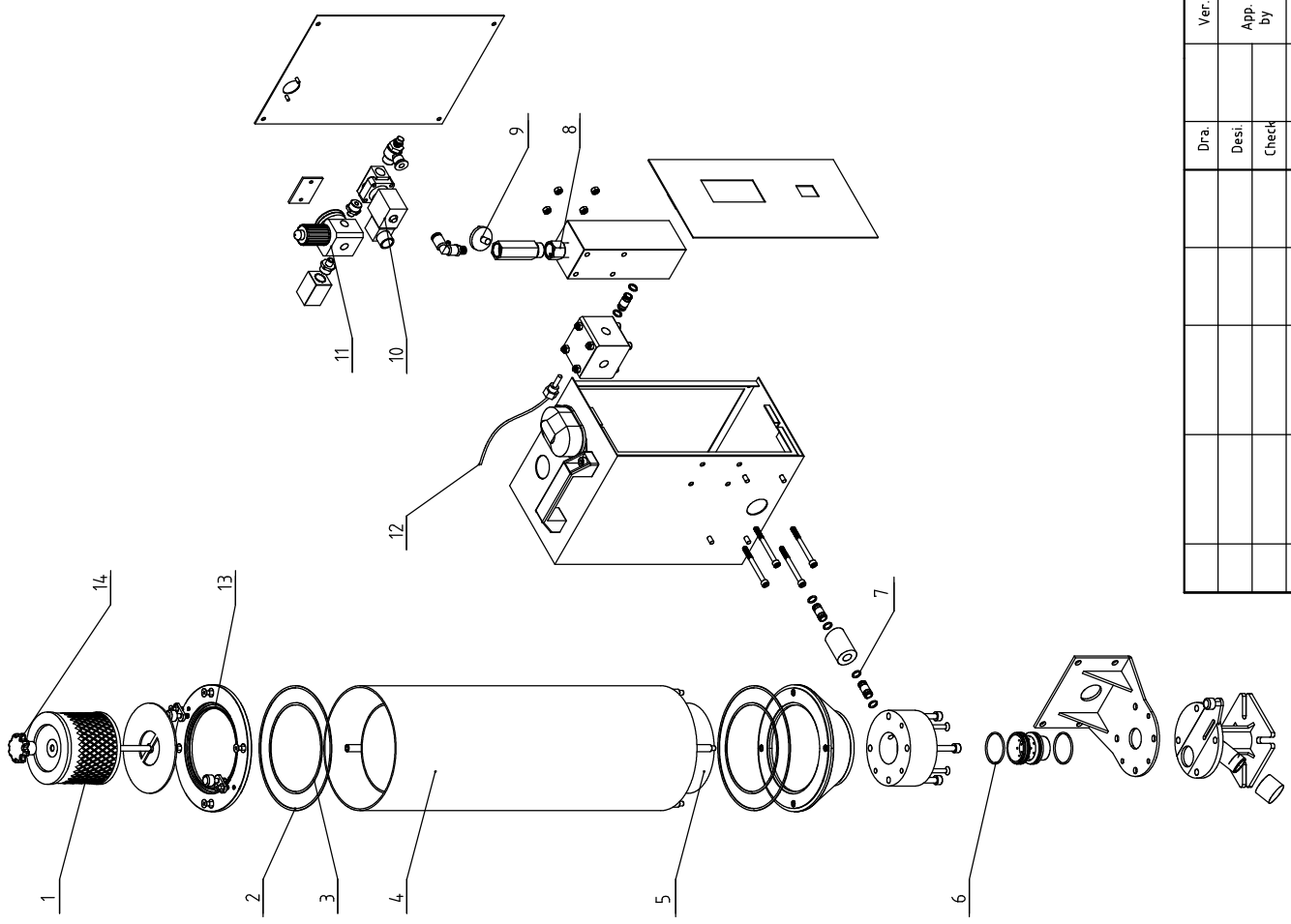


14	YR400104.000000	Plastic star nut black 1/4"	1
13	YR202589000000	Rubber O-type seal ring 2.5x89	1
12	BE9034.1500050	Thermocoupler MY12	1
11	YE302000600000	Pressure regulating valve GP-200-06	1
10	YE322131000000	Solenoid valve VXD2130-10DJ	1
9	YE150204.00300	Pressure switch LF20	1
8	BH4.0108000050	Pipe heater 0.3KW	1
7	YR201018000000	O-type seal ring 10X1.8	4
6	YR204.12200000	O-type seal ring 4.12X2.65	2
5	YW707653000000	Glass pipe φ70Xφ65X354	1
4	YR401325000000	PC pipe φ130Xφ125X354	1
3	SCAD-1U-A-10	Inner glass pipe fastener	2
2	SCAD-1U-A-07	Ext. glass pipe fastener	2
1	YR508807000000	Filter DA-8807AP	1
No.	Material number	Name	Mat. Num. Remarks

Title		Drawing no.		Scale		No.	
SCAD-1U		Compressed Air Dryer		1:7		1	
Ver.		App. by		Date		Mat.	
Dra.		Desi.		Check		Surface req.	
Mod. by		Date		App.		Mat. No	
After Mod.		Date		App.		Mat. No	
Before Mod.		Date		App.		Mat. No	
Mark		Date		App.		Mat. No	

**SHINI**  
信易電熱機械股份有限公司  
Shini Plastics Technologies, Inc.

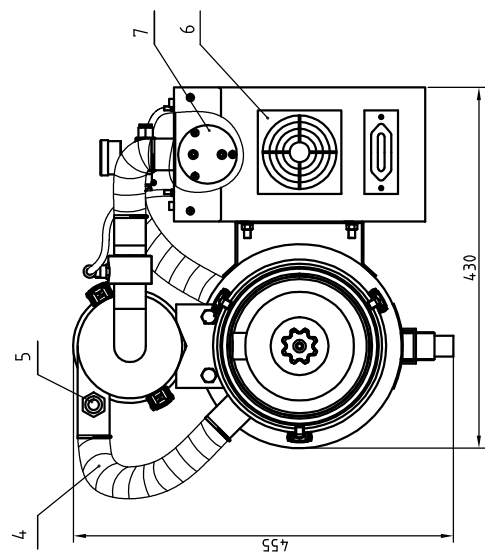
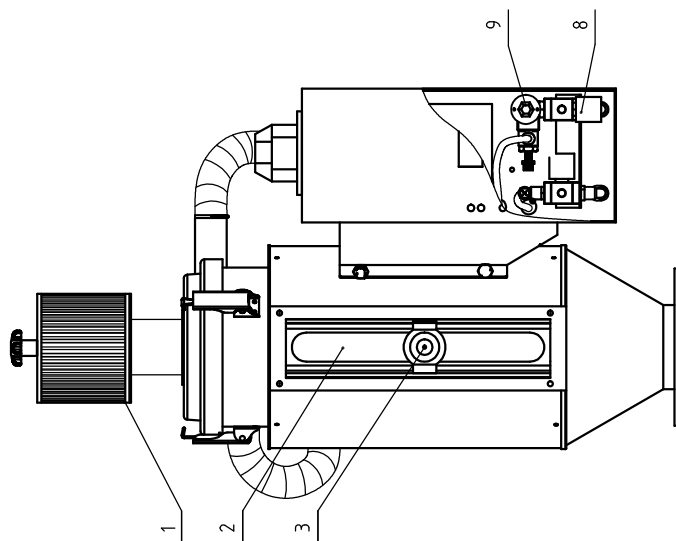
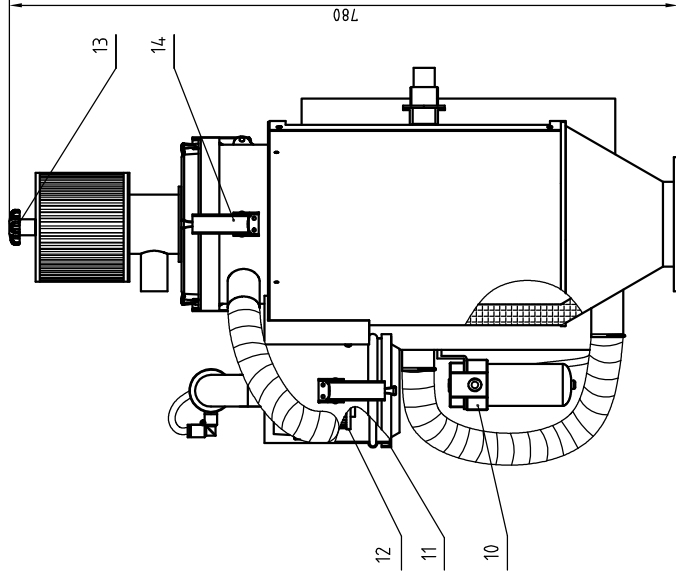


14	YR400104.00000	Plastic star nut black 1/4"	1
13	YR20259800000	Rubber O-type seal ring 2.5x89	1
12	BE9034.1500050	Thermocoupler MYT2	1
11	YE30200060000	Pressure regulating valve GR-200-06	1
10	YE32213100000	Solenoid valve VXD2130-100J	1
9	YE150204.00300	Pressure switch LF20	1
8	BH4.0108000050	Pipe heater 0.3KW	1
7	YR20101800000	O-type seal ring 10X1.8	6
6	YR204.1220000	O-type seal ring 4.12X2.65	2
5	YW7010500000	Glass pipe φ110Xφ105X382	1
4	YR40154.500000	PC pipe φ150Xφ145X382	1
3	SCAD-3U-A-05	Inner glass pipe fastener	2
2	SCAD-3U-A-04	Ext. glass pipe fastener	2
1	YR50880700000	Filter DA-8807AP	1

Mark	Before Mod.	After Mod.	Mod. by	Date	App.	Date	Ver.	0	Title SCAD-3U Compressed Air Dryer	Drawing no. SCAD-3U-ALL	Material number Name	Remarks
												Scale 1:7
												No. 1
												Mat.
												Surface req.
												Mat. No.

**SHINI**  
信易電熱機械股份有限公司  
Shini Plastics Technologies, Inc.

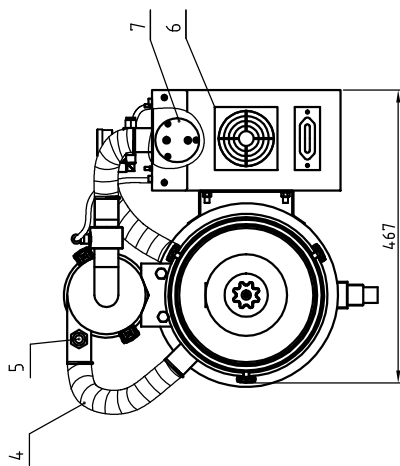
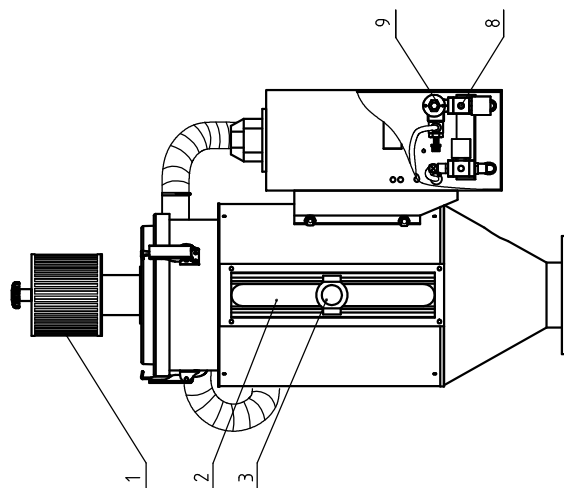
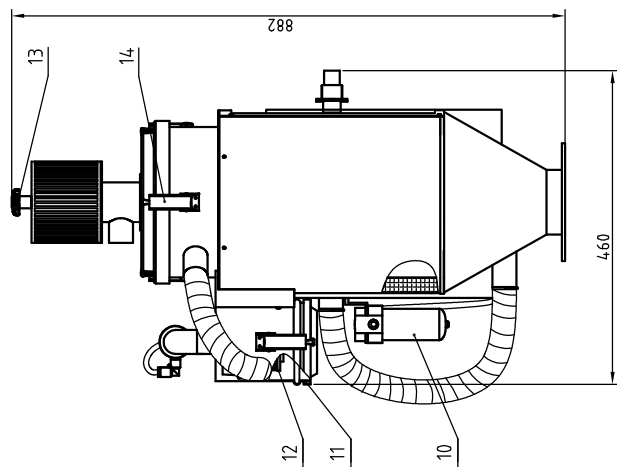




14	YW020030004000	Snap hook	5
13	YW096751000000	Small star nut 5/16	1
12	YR509560000000	Filter ADCZ7	1
11	YR100170001000	Filter barrel fastener φ170	1
10	YE302000200000	Filter pressure regulating valve AFR-2000	1
9	YE150150000000	Pressure switch	1
8	YE322131000000	Solenoid valve VXD2130-10DJ	2
7	BH701211000100	Pipe heater	1
6	YM609225001000	Exhaust fan-plastic air screen	1
5	YW800000400300	Silencer BSL-4	1
4	YW721536000000	Heat-resistant air pipe1.5"	1
3	YE150020000000	Capacitive approach switch	1
2	YW703306500000	Sight glass	1
1	YR501283001000	Filter ADC18	1

Title		SCAD-12U		Drawing no.		SCAD-12U-ALL	
Ver.		0		Name		Compressed Air Dryer	
Dra.				Material number		Mat.	
Desi.				Scale		1:7	
Check				No.		1	
App.				Remarks			
Date				Surface req.		Mat. No.	
Before Mod.		After Mod.		Mod. by		Date	
Mark				Date			

**SHINI**  
信易电热机械股份有限公司  
Shini Plastics Technologies, Inc.



14	YW020030004.00	Snap hook		5
13	YW09675100000	Small size nut 5/16		1
12	YR50956000000	Filter ADC27		1
11	YR10017000100	Filter barrel fastener-φ170	Rubber	1
10	YE30200200000	Filter pressure regulating valve AFR-2000		1
9	YE15015000000	Pressure switch		1
8	YE32213100000	Solenoid valve VXD2130-10DJ		2
7	BH70121100010	Pipe heater		1
6	YM60922500100	Exhaust fan-plastic air screen		1
5	YW800000400300	Silencer-BSL-4	Cu	1
4	YW72153600000	Heat-resistant air pipe1.5"	Assembly	1
3	YE15002000000	Capacitive approach switch	Tempered glass	1
2	SCAD-20U-A-14	Sight glass		1
1	YR50128300100	Filter ADC18		1

No.	Material number	Name	Mat.	Num	Remarks
Title SCAD-20U Drawing no. SCAD-20U-ALL					
Compressed Air Dryer					
Scale					
Mat.					
Surface req.					
Mat. No.					
Mark	Before Mod.	After Mod.	Mod. by	Date	App.
				20090224	

**SHINI**  
信易电热机械股份有限公司  
Shini Plastics Technologies, Inc.

