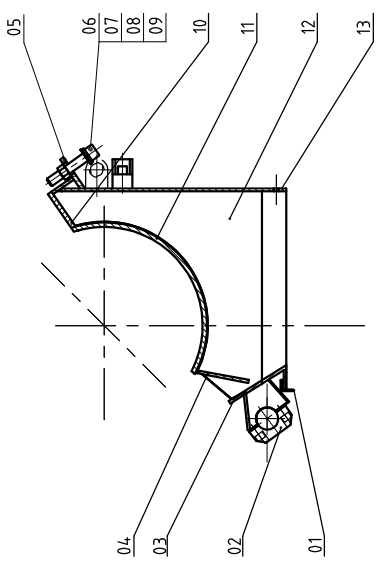
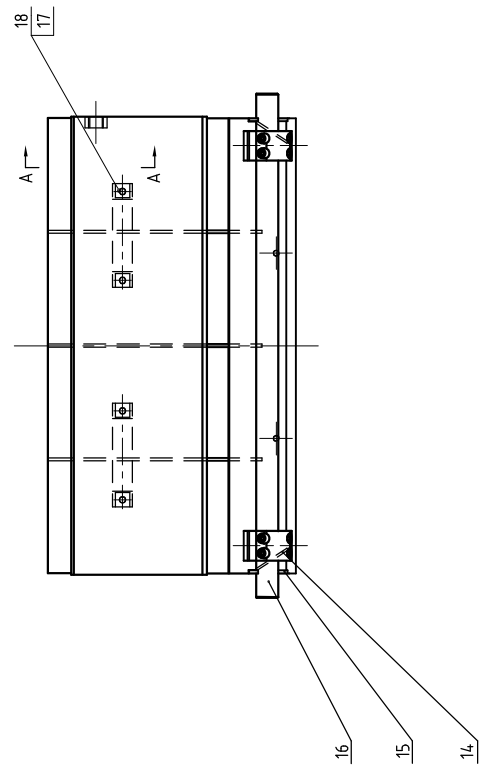


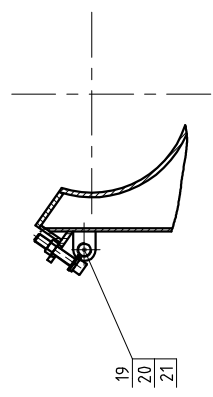
16	BP823200044	Filter cloth 3	Filter cloth 12mmx8	1
15	YW61081000100	Inner hex. column head screw M8x80	8.8	3
14	BL55360000721	Lever bracket	Welding assembly	3
13	YW64000800100	Hex. nut M8	8	3
12	YW60080000000	Hex. bolt M8x80	8.8	3
11	BL55360000621	Upper bracket	Welding assembly	3
10	BP82313100044	Filter cloth 4	Hex. nut 48mm	1
9	--	Cyclone dust separator	Welding assembly	1
8	--	Exhaust air pipe	Welding assembly	1
7	YW090001000100	Lifting bolt M10	25	2
6	YW60102500100	Hex. bolt M10x25	8.8	3
5	YW66102000100	Flat washer 10	14.0HV	12
4	YW65010000100	Spring washer 10	65Mn	12
3	YW66081600000	Flat washer 8	14.0HV	21
2	YW65008000200	Spring washer 8	65Mn	15
1	YW61082000200	Inner hex. column head screw M8x20	12.9	12

Title		Drawing no.	
Cyclone Dust Separator		SG-26/36	
Ver.	Draw.	App.	Check
App. by	Desi.	App.	Check
Date	Mod.	Date	App.
Before Mod.	After Mod.	Modified by	Date
Scale		Surface req.	
Mat. Num.		Mat. No.	





A - A



21	YW64200100000	Hex thin nut @B7M10x15-Longline	Alu. alloy	1	Screen bracket feed plate	SPH4.0	2
20	YE3021200100	Self positioning column cap screw type	Q235A	1	Screen bracket feeder	SPCC3.0	2
19	--	Spring ball seat	SPH20.0	1	Screen bracket front plate	SPH4.0	1
18	YW61083000000	Inner hex column head screw @B7M10x15-Longline		4	Screen bracket lining plate	SPH4.0	3
17	BW2001200014-0	Alu square handle-18-120		2	Screen (ø90)	4.5	1
16	BH11266000010	Screen bracket rotating shaft	4.5	1	Upper screen bracket (ø14.45x6)	SPH6.0	1
05	--	Screen bracket feed plate		4	Hex nut @B7M10x15-Longline		4
04	--	Screen bracket rear ribber plate (ø65x70x4)		1	Inner hex column head screw @B7M10x15-Longline		4
03	--	Screen bracket rear plate		1	Spring spring washer @B7M10x15-Longline		4
02	BH10262807310	Screen bracket shaft base assembly		2	Flat washer / square @B7M10x15-Longline		4
01	--	Screen bracket rear folded plate		1	Inner hex column head screw @B7M10x15-Longline		4
No.	Material number	Name	Mat.	Num.	Remarks		

Title: SGF-2660 Drawing no.:

Screen Bracket Assembly

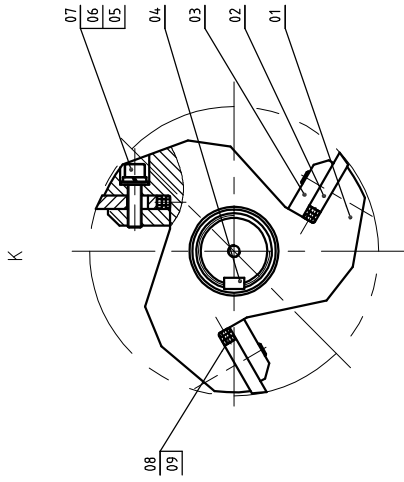
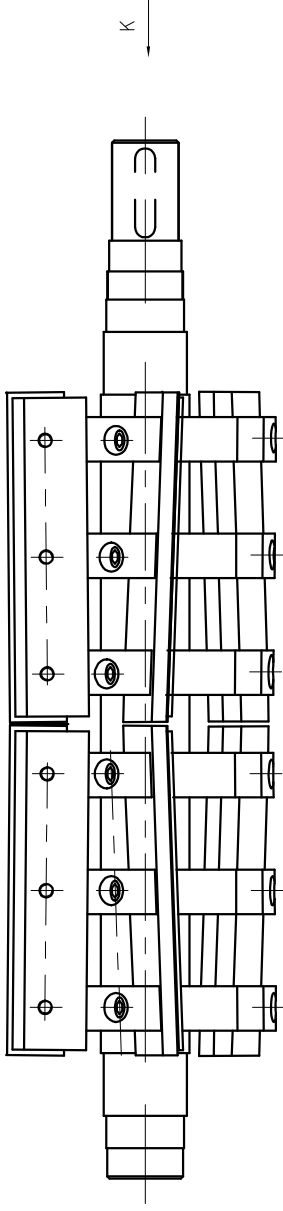
Scale: Num.:

Surface req. Mat.:

Mark: Before Mod. After Mod. Modified by: Date App. Ver. Draw. Desi. App. Check by Date

SHINI 偉島電機機械股份有限公司
Shini Plastics Technologies, Inc.

Mat. No.:

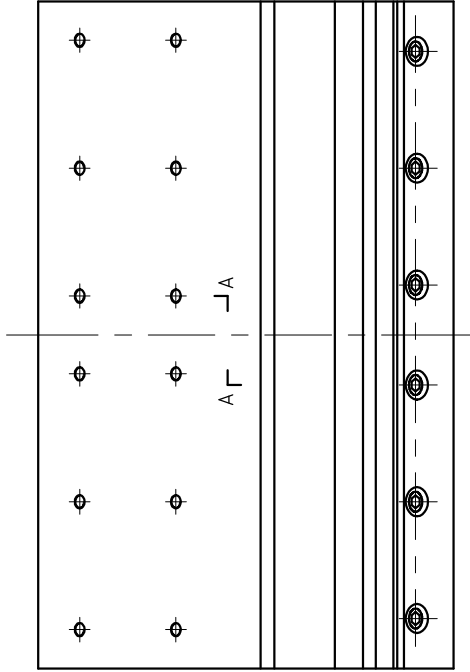


09	YW64000600300	Hex nut M6	9	12	
08	YW60062000000	Hex bolt M6x20	12	9	12
07	YW65012200000	Spring washer 12	65Mn	18	18
06	YW66124000000	Flat washer 12	140HV	18	18
05	YW61124500000	Inner key (alum) flat spring M12x4.5	12.9	18	18
04	BH11269000210	Flat key 18x11x80	4.5	1	1
03	BH11266000210	Rotating blade pressing plate	4.5	6	6
02	BW402666000110	Rotating blade	SKD11	6	6
01	BH10266000510	Blade rest shaft	Assembly welding	1	1

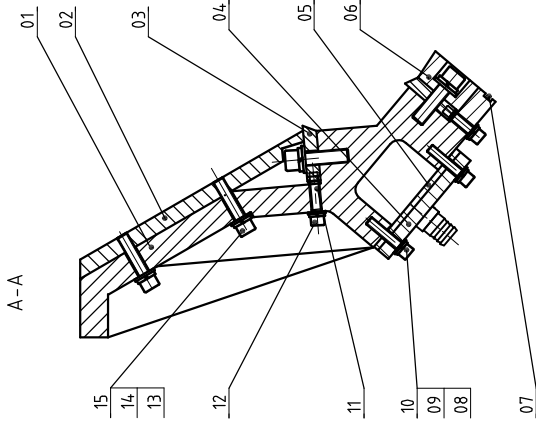
No.	Material number	Name	Mat.	Num.	Remarks
Title: SGF-2660					
Drawing no. _____					
Blade Rest Shaft					
SHINI 信昌電機株式会社 Shini Electric Technology, Inc.					
Scale	Surface req.	Mat.			
Mat. No.					

Mark	Before Mod.	After Mod.	Modified by	Date
Draw.	Ver.	App.	By	Date
Desi.	App.	By	By	Date
Check	App.	By	By	Date

A →



A →



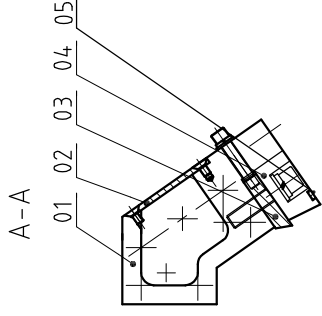
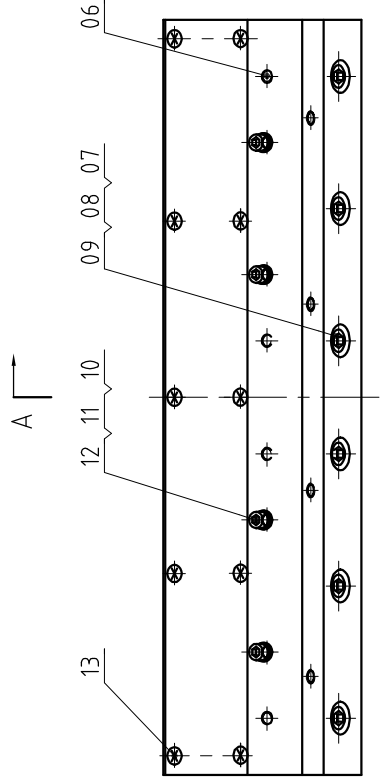
12	YW61084500000	Water supply cover plate	Water supply cover plate	Water supply cover plate	8
11	YW68083000000	Water supply cover plate	Water supply cover plate	Water supply cover plate	8
10	YW65008000100	Standard spray washer	Standard spray washer	Standard spray washer	20
09	YW66081600000	Flat washer	Flat washer	Flat washer	20
08	YW61083000300	Water supply cover plate	Water supply cover plate	Water supply cover plate	12
07	---	Foamed plastic	Foamed plastic	Foamed plastic	2
06	BH126600010	Fixed blade	Fixed blade	Fixed blade	45
05	---	Water supply cover plate	Water supply cover plate	Water supply cover plate	1
04	---	Water supply cover plate	Water supply cover plate	Water supply cover plate	1
03	BW40266000010	Fixed blade	Fixed blade	Fixed blade	4
02	BH1266000310	Fender pressing plate	Fender pressing plate	Fender pressing plate	45
01	BW30266000410	Rear block	Rear block	Rear block	1

15		YW65012000000	Standard spray washer	Standard spray washer	24
14		YW66122400000	Flat washer	Flat washer	24
13		YW61124500000	Water supply cover plate	Water supply cover plate	24

Title		SGF-2660		Drawing no.	
Rear Block Device					
Draw.	Ver.	App.	by	Date	
Desi.		Check			
App.		App.			
Mark	Before Mod.	After Mod.	Modified by	Date	



Scale	Mat.	Remarks
Surface req.	Mat.	
Mat No.		



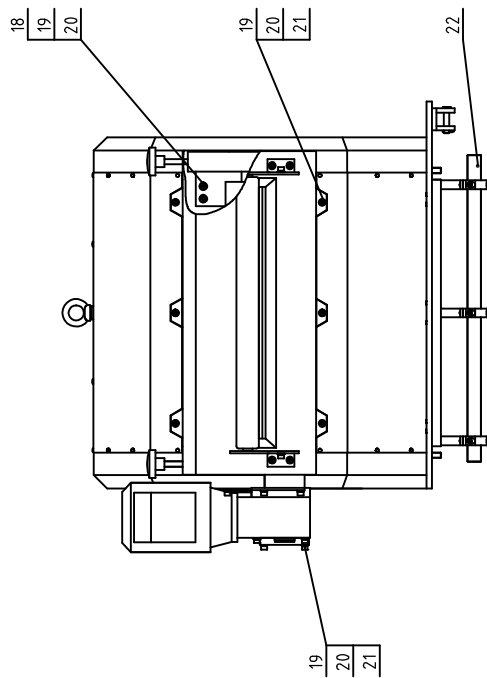
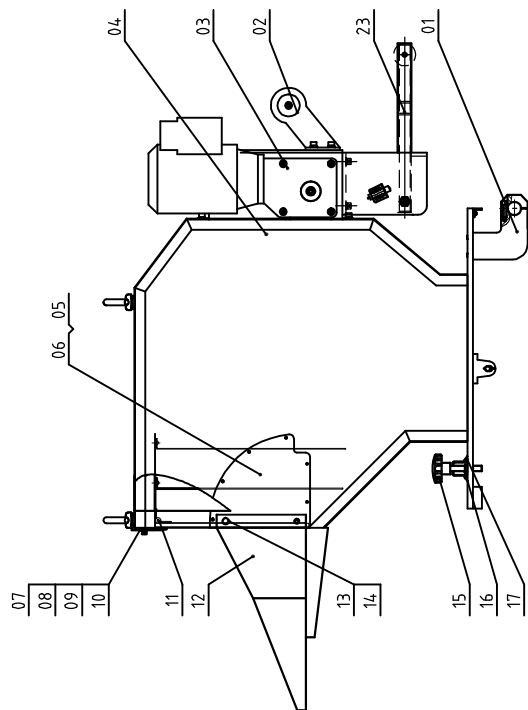
A

13	YW61061200100	Inner hex column lock screw GB/T703.1 M6x2.5-Longline	10
12	YW65008000200	Standard spring washer GB/T93.8-Longline	4
11	YW666081600000	Flat washer A grade GB/T97.1 8-Longline	4
10	YW610845000000	Inner hex column lock screw GB/T919.6 M6x1.6-Short head-Longline	4
09	YW650122000000	Standard spring washer GB/T93.12-Longline	6
08	YW661224000000	Flat washer A grade GB/T97.1 10.8x2.5-Longline	6
07	YW611245000000	Inner hex column lock screw GB/T703.1 M6x5.12-Longline	6
06	YW680830000000	Inner hex flat end lock screw GB/T1706.3-Longline	4
05	--	Foamed plastic 300x6x8	2
04	BH11266000110	Fixed blade pressing plate	45
03	BW40266000010	Fixed blade	SKD11
02	--	Front block cover plate	SPH4.0
01	BW30266000310	Front block	QT500-7
No.	Material number	Name	Mat.
			Num.
			Remarks

Title		SGF-2660		Drawing no.	
Draw		Ver.		Scale	
Desi		App.		Mat.	
Check		by		Surface req.	
App		Date		Mat No.	
Mark	Before	Mod	Modified by	Date	



信易電熱機械股份有限公司
 Shini Plastics Technologies, Inc.



No.	Material number	Name	Mat.	Num.	Remarks
18	YW610830000000	Inner for column head screw Ø7/11/1162.0-25-Longpin		8	
17	YW61051000200	Washer for pin head screw 11pin Ø7/1161.0-Longpin		6	
16	BH11241000010	Spring for SG-24N-ALL-10	Assemblies	2	
15	BH11270000010	Star handle M12×70	65Mn	0.07m	
14	YW01101000000	Spring M10		1	
13	YW30003600100	Sphere handle SG-36	SPCC2.0	1	
12	--	Feed port		1	
11	--	Fender assembly	Assemblies	1	
10	YW65006000100	Shielding rubber Ø7/193.6-Longpin		2	
09	YW66061800000	Large washer A grade Ø7/19.0-ALL-10-Longpin		4	
08	YW61062500000	Inner for column head screw Ø7/11/1164.0-1162.0		2	
07	--	Fender plate fixed piece	SPCC3.0	2	
06	--	Feed box fixed plate with hole	SUS201	1	
05	--	Feed box fixed plate without hole	SUS201	1	
04	--	Feed box fixed case	Assemblies	1	
03	--	Feed roller	Assemblies	1	
02	YW09266000000	Feeding guide roller	Assemblies	1	
01	--	Feeding box bottom plate	Assemblies	1	

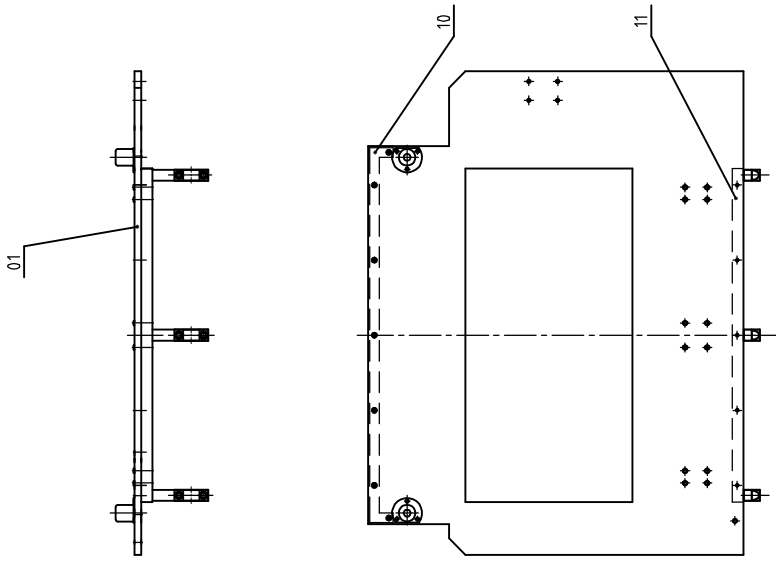
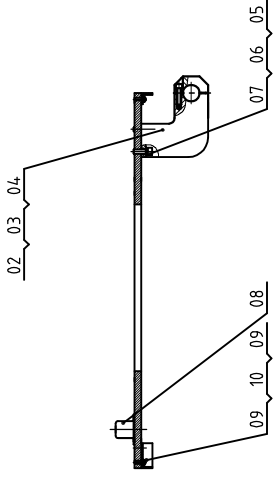
No.	Material number	Name	Mat.	Num.	Remarks
23	--	Feeding Anti-break Protector	Assemblies	1	
22	BH11266000910	Feed box rotating shaft	4.5	1	
21	YW61081600000	Inner for column head screw Ø7/11/1164.0-25-Longpin		10	
20	YW66081900000	Flat washer A grade Ø7/19.1.8-Longpin		18	
19	YW65008000100	Shielding rubber Ø7/193.8-Longpin		18	

Mark	Before Mod.	After Mod.	Modified by.	Date	App.	Check	Desi.	Draw	Ver.

Title: SGF-2660
 Drawing no.:
 Feed Box Assembly



Scale	Num.	Mat.	Surface req.	Mat No.

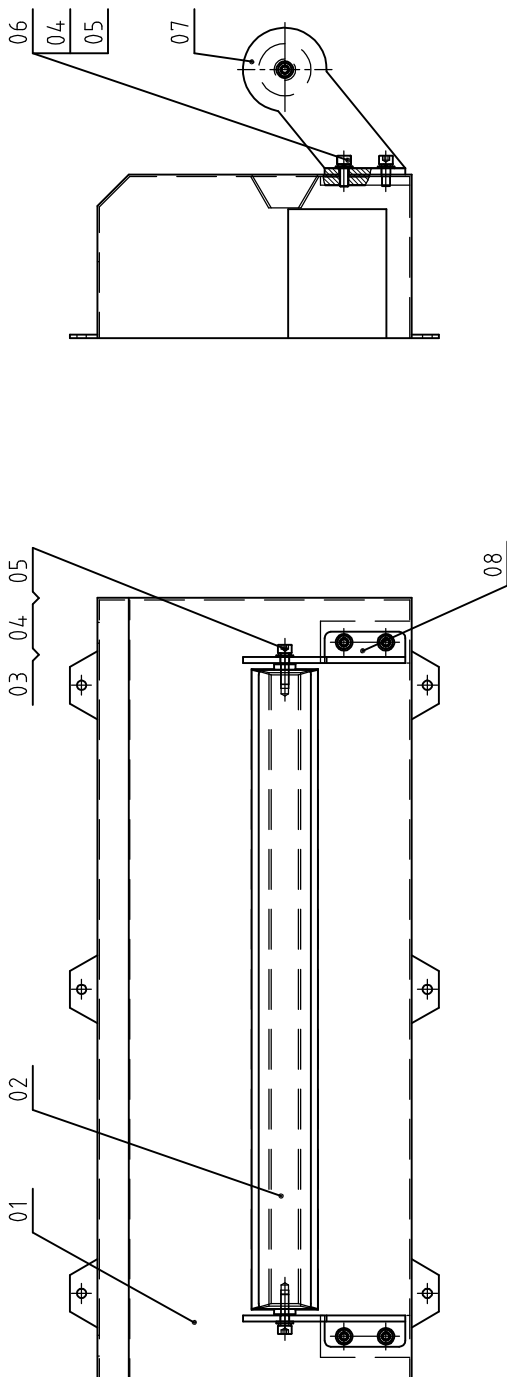


11	--	Rear corner plate	SPCC3.0	1	Remarks
10	--	Front corner plate	SPCC3.0	1	
09	YW62051500000	Large steel fill head screw 12mm hexagon		12	
08	--	Bolt cover	SPCC2.0	2	
07	YW65008000100	Shielding spring washer (B71938) long plate		12	
06	YW66081900000	Large washer A grade Bx 19x2.0-Long plate		12	
05	YW61082500000	Large washer A grade Bx 19x2.0-Long plate		12	
04	BL52269004220	Relating steel multiple base	Q235A	1	
03	BL52269004120	Relating steel multiple base	Q235A	1	
02	BL52269004020	Relating steel multiple base	Q235A	1	
01	--	Bottom plate	SPH12.0	1	


No.	Material number	Name	Mat.	Num.	Remarks
Title: SGF-2660 Drawing no.					
Feed Box Bottom Plate					
Scale:					
Surface req.					
Mat. No.					

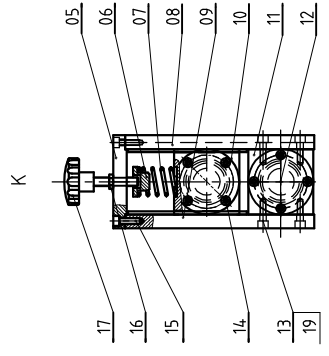
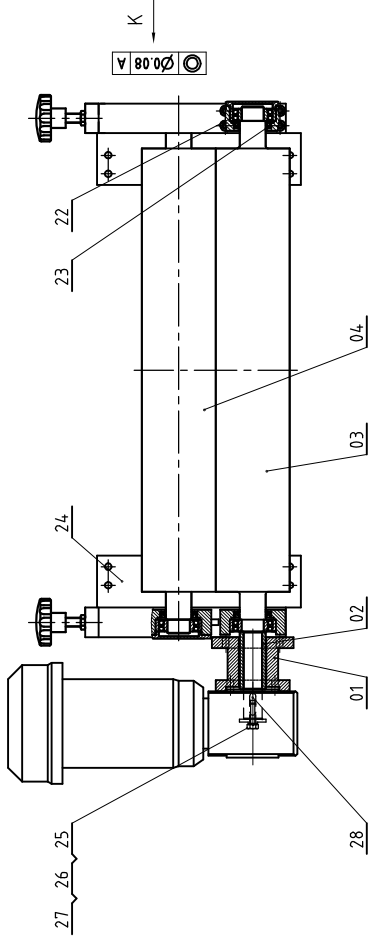
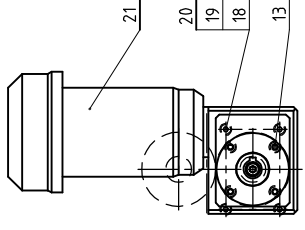
SHINI 信昌電熱機械股份有限公司
Shini Plastics Technologies, Inc.

Draw	Ver.	App.	Date
Desi.		By	
Check			
App.			
Mark	Before Mod.	After Mod.	Modified by. Date



08	--	Guide roller left mount plate	SPH6.0	1
07	--	Guide roller right mount plate	SPH6.0	1
06	YW61082000000	Inner hex. column head screw M8×20	8.8	4
05	YW65008000100	Standard washer 8	65Mn	6
04	YW66081900000	Flat washer 8×19×2.0 Longzine	14.0HV	6
03	YW61083000000	Inner hex. column head screw M8×30	12.9	2
02	YW09266000000	Guide roller	Assemblies	1
01	--	Feed device shield	Assembly welding	1
No.	Material number	Name	Mat.	Num.

Title		SGF-2660		Drawing no.	
Feed Guide Roller					
Ver.	Draw	App.	Check	App.	Date
App. by	Desi	Check	App	Modified by	Date
Surface req.	Scale		Mat.		Mat. No.
 SHINI 信易電熱機械股份有限公司 Shini Plastics Technologies, Inc.					
Mark	Before Mark	After Mark	Modified by	Date	Remarks



18	YW660819000000	Flt washer 6x12x2.0 Longzine	14.0HV	8
17	BH11271000010	Star handle M12x70	Assemblies	2
16	YW640121000000	Hex nut M12	5	4
15	YW610825000000	Inner hex. (dimm) head screw M8x25	6.8	8
14	YW610612001000	Inner hex. (dimm) ball screw M6x12	6.8	12
13	YW610830000000	Inner hex. (dimm) head screw M8x30	12.9	20
12	BH10269001510	Bearing cover	Q235A	3
11	BH10269000940	Fixed bearing base	Q235A	2
10	BH10269000840	Sliding bearing base	Q235A	2
09	BH10269000740	Frame left side plate	Q235A	2
08	BH10269000640	Left mount plate	Q235A	1
07	YW09266000300	Pressure spring	65Mn	2
06	BH1263600210	Pressure spring base	Q235A	2
05	BH10269001640	Frame upper plate	Q235A	2
04	YW09266000200	Driven feed roller	Assembly welding	1
03	YW09266000100	Driving feed roller	Assembly welding	1
02	BH10269001410	Bearing locating sleeve	Q235A	1
01	BH10269000410	Gear box flange	Q235A	1

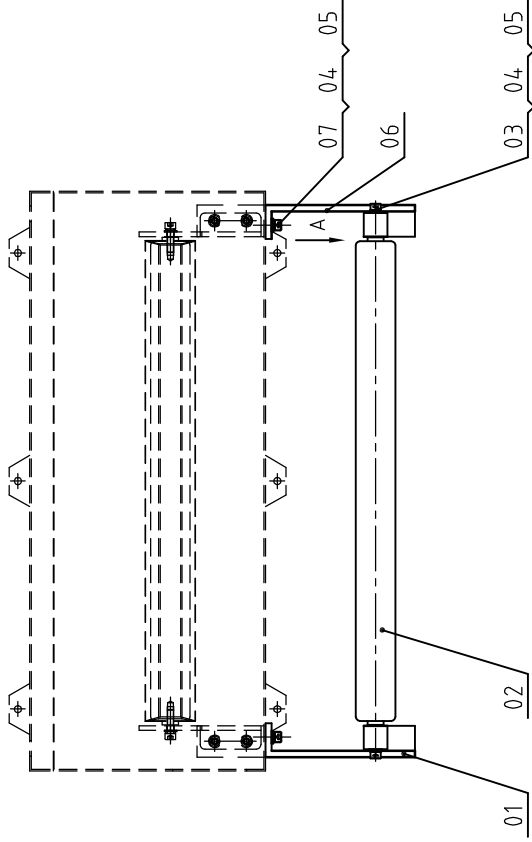
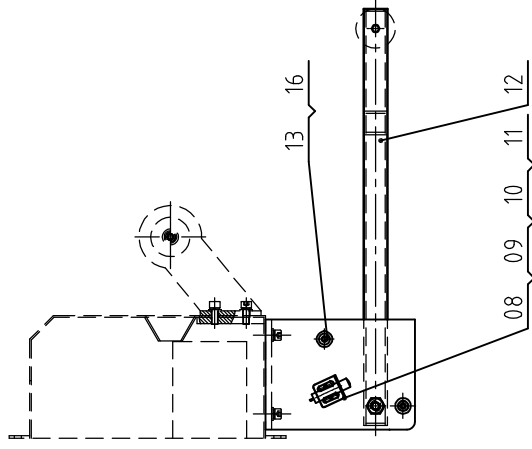
28	BH1269000810	Comm. flat key	4.5	1
27	YW650100000000	Spring washer 10	65Mn	1
26	--	Fender ring	SUS201	1
25	YW600825001000	Hex ball (Ø178) M6x2.5 Langze	12.9	1
24	BH10269001040	Right mount plate	Q235A	1
23	YR203550000000	Rotary shaft O-type seal ring 35	Rubber	4
22	YW116206002000	Deep groove ball bearing 6206	GCr15	4
21	YM509507500100	Gear box 0.75 kW	Assemblies	1
20	YW610835000000	Inner hex. (dimm) head screw M8x35	12.9	4
19	YW650080001000	Spring washer 8	65Mn	32

Title		Drawing no.	
SGF-2660		Feeder	
Draw	Ver.	App.	Date
Desi.	App.	by	Date
Check			
App.			

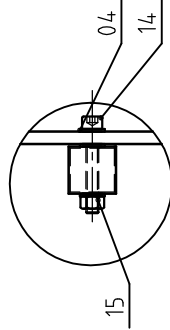
Mark	Before Mod.	After Mod.	Modified by.	Date



Scale	Mat.	Num.	Remarks
Surface req.			
Mat. No.			



A
2:1

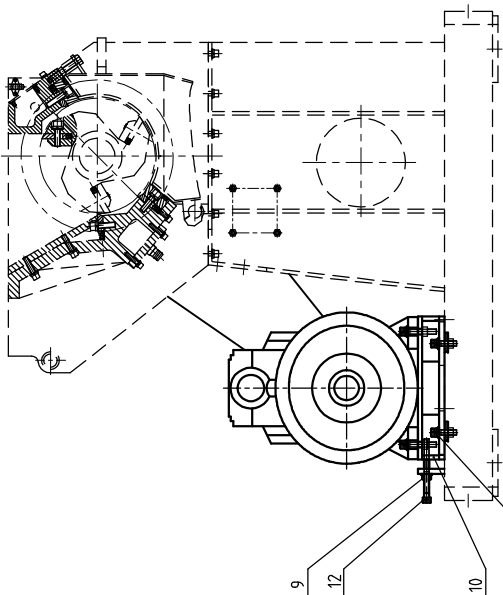
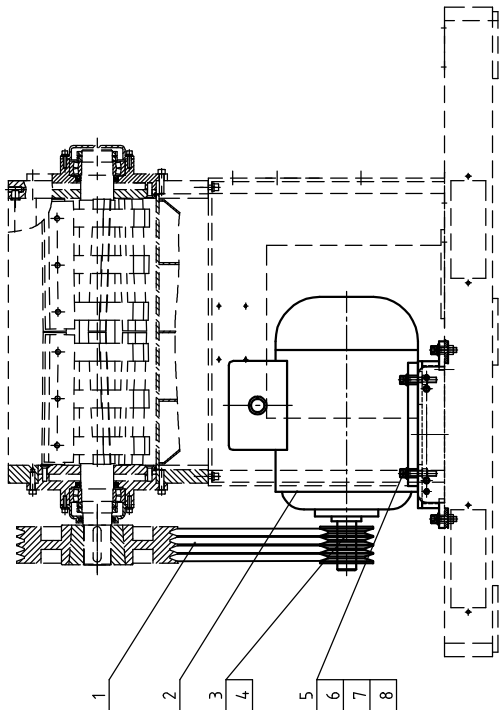


No.	Material number	Name	Mat.	Num.	Remarks
12	--	Bracket	Assembly welding	1	
11	YW65005200000	Spring washer 5	65Mn	2	
10	YW66051000000	Flat washer 5	14.0HV	2	
09	YW61051000000	Inner hex. column head screw M5×10	12.9	2	
08	--	Switch fixed base	SPCC2.0	1	
07	YW61082500000	Inner hex. column head screw M8×25	8.8	4	
06	--	Right support plate	SPH8.0	1	
05	YW65008000100	Spring washer 8	65Mn	6	
04	YW66081900000	Flat washer 8×19×2.0 Longzine	14.0HV	14	
03	YW61085000000	Inner hex. column head screw M8×50	12.9	2	
02	YW09266000000	Guide roller	Assemblies	1	
01	--	Left support plate	SPH8.0	1	

16	BH102690005510	Bracket pipe	H62	4	
15	YW64000800100	Hex. anti-loose nut M8	4	2	
14	YW61085000000	Inner hex. column head screw M8×55	12.9	2	
13	YW61083000300	Inner hex. column head screw M8×30	8.8	4	

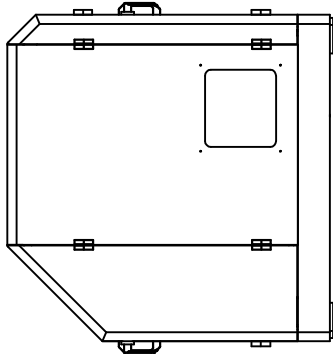
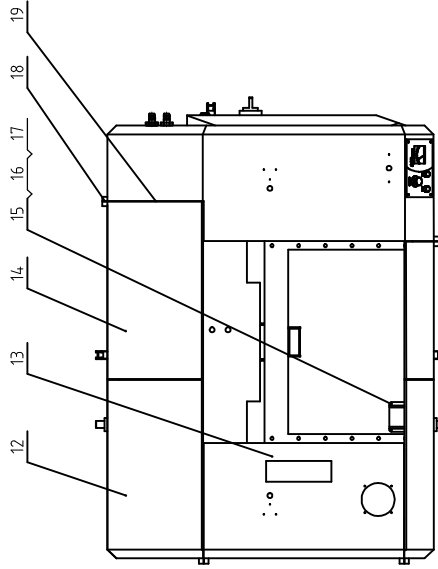
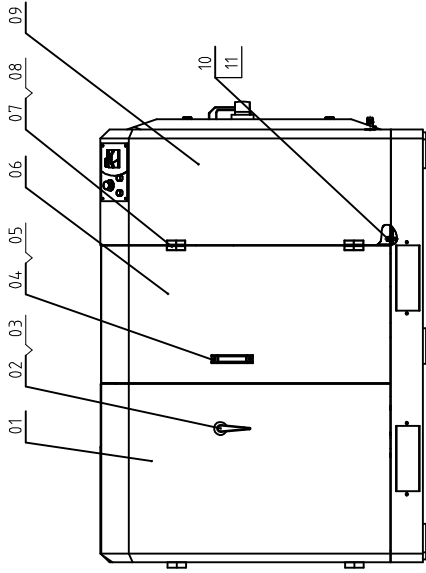
Title		SGF-2660		Drawing no.	
Rotating Anti-break Protector					
Draw.	Ver.	App.	by	Date	
Desi.	App.	by	Date		
Check	App.	by	Date		
App.	App.	by	Date		
Mark	Before Mark	After Mod.	Modified by	Date	
Surface req.		Scale		Num.	
Mat No.		Mat.		Mat.	

SHINI
信易電熱機械股份有限公司
Shini Plastics Technologies, Inc.



No.	Material number	Name	Mat.	Num.	Remarks
14	YW66163000000	For washer A grade @ 19711 16175 16176 16177 Engine		4	
13	YW65016200000	Standard spring washer @ 193 16 Engine		4	
12	YW60127030000	Washer for column head screw @ 17111 16203 16204 Engine		2	
11	YW61165000000	Washer for column head screw @ 17111 16403 16404 Engine		4	
10	--	Motor motor base	SPH10&SPH2	1	
09	YW60128500000	Hex ball @ 17302 16245 16246 Engine		2	
08	YW64012100000	Hex ball @ 176170 1612 Engine		4	
07	YW65012000000	Standard spring washer @ 193 162 Engine	65Min	6	
06	YW66122400000	For washer A grade @ 19711 16254 16255 Engine	14.0HV	6	
05	YW61125000000	Washer for column head screw @ 17111 16203 16204 Engine		4	
04	BW300030005320	Ball bearing SG-30-7012-4 HT250 (assembly)	HT 250	1	
03	BW3001205420	Ball ball washer SG-30-7012-4 HT250 (assembly)	HT 250	1	
02	YM10201100100	Motor W011004-40-4P-B1E1E3200/00/092	Assemblies	1	230V
01	YR00224000700	Motor W011004-40-4P-B1E1E3200/00/092	Assemblies	1	400V
		Triangle belt XPB-22L0		4	

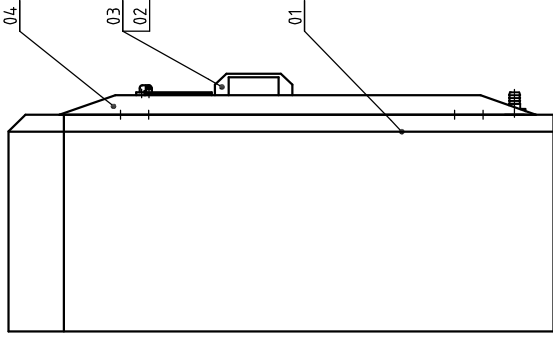
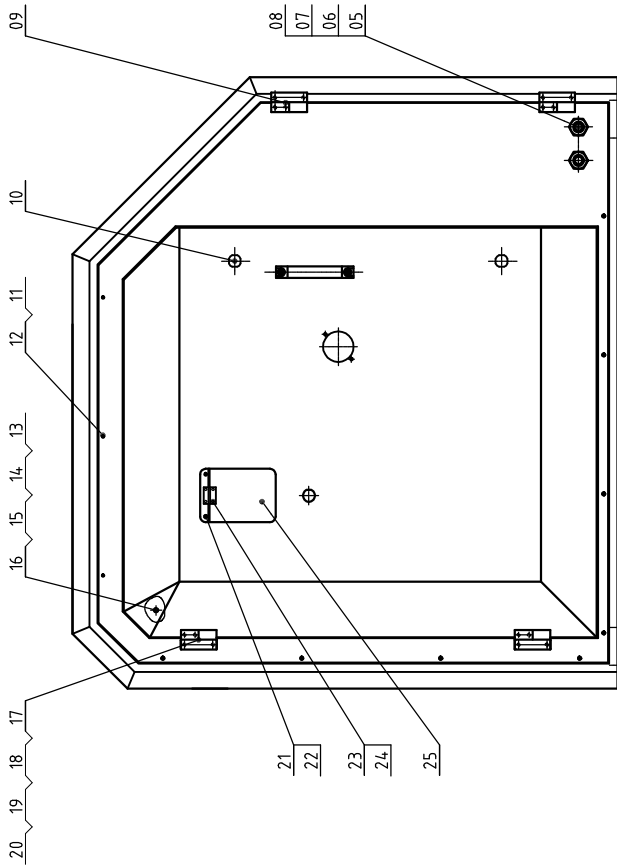
Title		Drawing no.	
SGF-2660		Driven Assembly	
Draw.	Ver.	App.	Date
Desi.		By	
Check			
App.			
Mark	Before Mod.	After Mod.	Modified by. Date
SHINI		Shini Plastics Technologies, Inc.	
Surface req.		Scale	Mat.
Mat. No		Num.	Remarks



19	YW06203100100	Language (L203-1 left)	Alu. alloy	4
18	YR10011000100	Compound sealing strip (X011)	8.5m	8
17	YW66051000000	Rear washer A grade (07911.5-Engine)	14.0HV	8
16	YW61051200000	Rear lock cylinder head (07911.5-Engine)	6.8	8
15	--	Safety switch cover	SPCC2.0	2
14	--	Rear right door	SPCC2.0	1
13	--	Left shield	Assemblies	1
12	--	Rear left door	Assembly welding	1
11	YW65008000100	Spring washer I	65Mn	16
10	YW6608191000000	Rear washer 0x19x2.0-Engine	14.0HV	16
09	--	Right shield	Assemblies	1
08	YW61051000200	Cross socket pan head screw-H (07911.5-Engine)	32	32
07	YW06203100200	Language (L203-1 right)	Alu. alloy	4
06	--	Front right door	Assembly welding	1
05	YW61082000000	Rear lock cylinder head M8x20	6.8	20
04	YW20012000100	Handle M8x20	Alu. alloy	2
03	YW00307200000	Door lock MS307-2-B	Chromeplate alloy	2
02	YW0000070000000	Door lock connecting rod	Assemblies	2
01	--	Front left door	Assembly welding	1

Mark	Before Mod.	After Mod.	Modified by.	Date
Draw.				
Desi.				
Check				
App.				
Ver.				
App. by				
Date				
Title		Drawing no.		
Shield Assembly		SGF-2660		
Scale		Mat. Num.		
Surface req.		Mat.		
Mat. No.		Remarks		





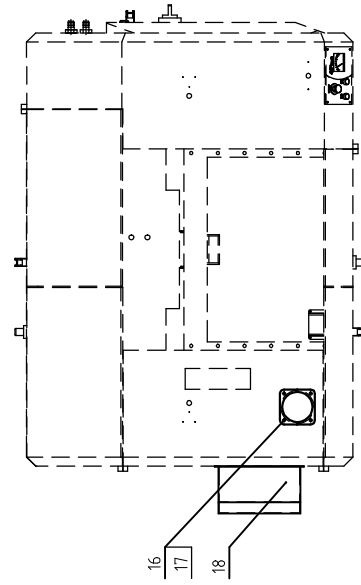
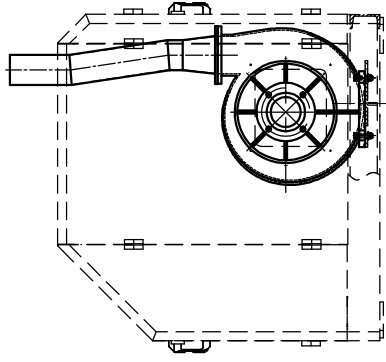
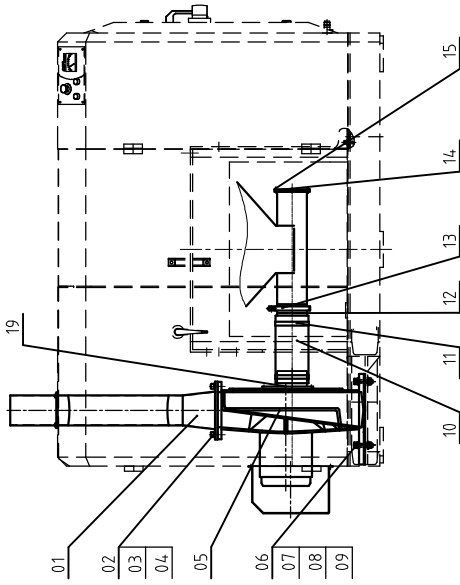
14	YW64080600000	Hex. nut M8	4	5	4	
13	YW65008000200	Spring washer 1	4	65Mn	4	
12	YW63052500100	Cross socket pan head screw M5x25 (with lock key)	11	4.8	11	
11	--	--	1	SPCC2.0	1	
10	YW00000000000	Long door lock	2		2	
09	YW06203100000	Hinge CL203-1(right)	2	Alu. alloy	2	
08	YR60160500000	Rubber cloth pipe inner dia. 16x5	2		2	
07	YW02000200000	Stainless steel pipe clamp 2"	2	SUS201	2	
06	YW64200200000	Hex. nut M20	2	5	2	
05	BH12300800010	Inner & Outer water pipe connector	2	H62	2	
04	--	--	1	SPCC2.0	1	
03	YW61082500000	Inner fix. column head screw M6x6	2	6.8	2	
02	YW20012000100	Handle M8x120	1	Alu. alloy	1	
01	--	Polishing	1	SPCC2.0	1	
No.	Material number	Name	Mat.	Num.	Remarks	

25	BR90269000010	Adjuster cover plate	PC plate	1	
24	YW61041000100	Cross socket countersunk head screw M4x10	4.8	2	
23	YW06219200100	Hinge CL219-2(right)	Alu. alloy	1	
22	YW62041200000	Cross socket pan head screw M4x12	4.8	4	
21	--	Adjuster cover plate fixed plate	SUS201	1	
20	YW65050000000	Spring washer 5	65Mn	16	
19	YW66051300000	Flat washer 5	14.0HV	16	
18	YW62051500000	Cross socket pan head screw M5x5	4.8	16	
17	YW06203100100	Hinge CL219-2(left)	Alu. alloy	2	
16	--	Elec. mount plate	SECC1.5	1	
15	YW66081600000	Flat washer 8	14.0HV	4	

Title		SGF-26		Drawing no.	
Right Shield					
Ver.	Draw	App.	Desi.	Check	App.
Mark	Before Mod.	After Mod.	Modified by.	Date	Date



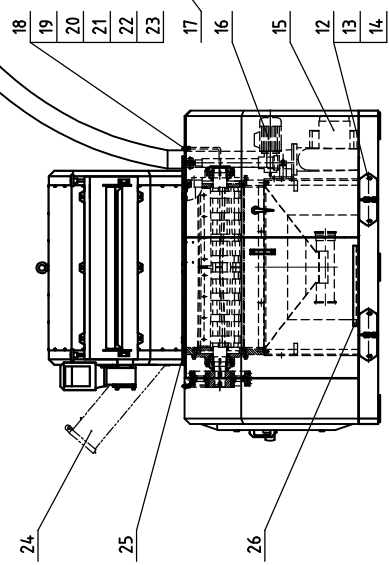
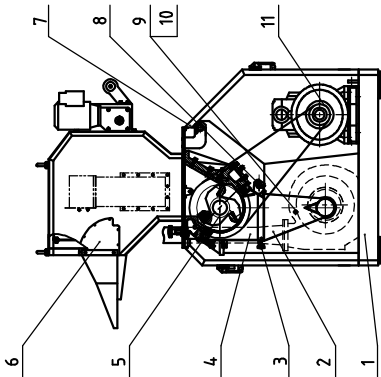
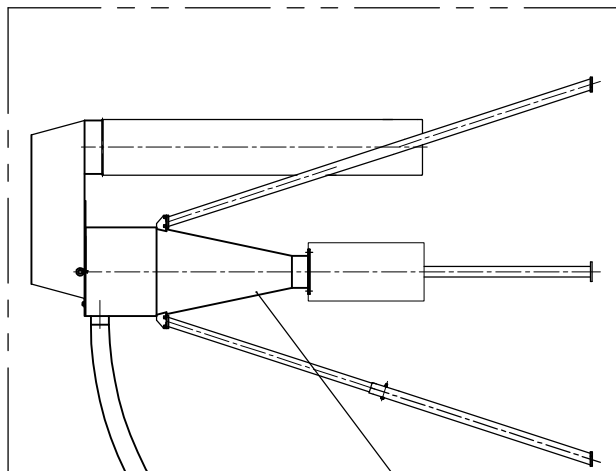
Scale	Num.	Mat.	Surface req.	Mar. No.



No.	Material number	Name	Mat.	Num.	Remarks
19	--	Side cover connecting pipe	Assembly welding	2	
18	--	Blower cover	SPCC2.0	1	
17	YW67481900000	Iron screw pan head self-tapping screw STL4x9		4	
16	--	Outlet fixed flange	SPH4.0	2	
15	YW61051000200	Iron screw pan head screw-H10mmxL4mm	6.8	4	
14	--	Air inlet flange	15 screen plate	1	
13	YW07000400000	Stainless steel pipe clamp 4"	SUS201	1	
12	--	Screen bracket connecting pipe		1	
11	YW02000400000	Stainless steel pipe clamp 4"	SUS201	2	
10	YR60000400100	Steel wire hose φ4.1 X270	Assembly welding	1	
09	YW64072100000	Hex. nut M2	9	4	
08	YW65072000000	Spring washer 12	65Mn	4	
07	YW66122400000	Flat washer 12	14.0HV	8	
06	YW61125000000	Filter for oil mist 12x50	12.9	4	
05	BM30224000050	Conveying blower 22 kw	Assembly	1	
04	YW61082500100	Filter for dust 100x100x25	12.9	4	
03	YW66081900000	Flat washer 8x19x2.0 Longrine	14.0HV	4	
02	YW65008000100	Spring washer 8	65Mn	4	
01	--	Conveying blower discharge pipe	Assembly welding	1	

Title		Drawing no.	
SGF-2660			
Auto Conveying Assembly			
Draw.	Ver.	Scale	Mat.
Desi.	App.	Surface req.	Mat.
Check	By		
App.	Date		
Mark	Before Mod.	Modified by.	Date

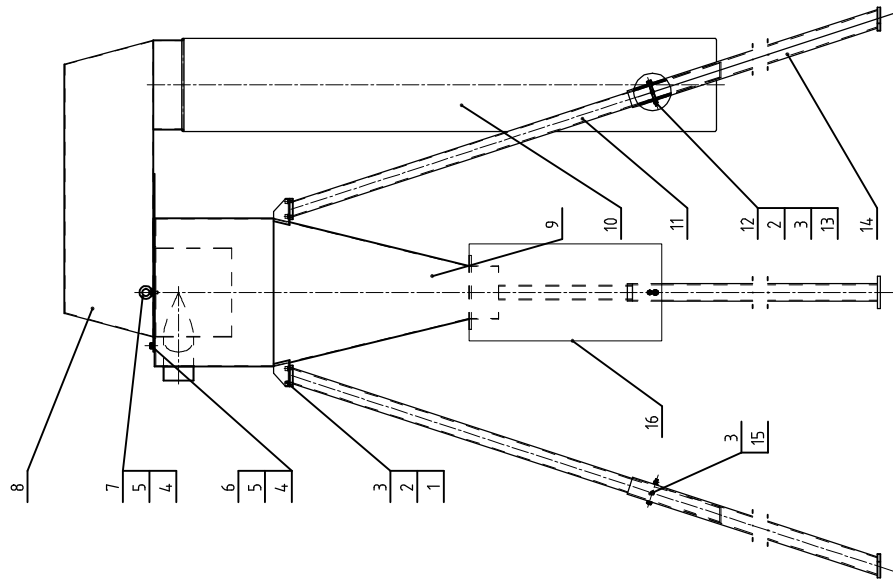




No.	Material number	Name	Unit	Quantity	Remarks
26	BH10269003110	Preexisting shaft	Assembly	1	
25	YR910000600400	Black rubber seal ring (dia. 6mm)	2.6m	1	
24	YR910000600400	Optional side feed box assembly	Assembly	1	Option
23	YW040101000000	Ø4 nozzle H10-1	H62	2	
22	BH12000301010	Copper trumpet nut 3"	H62	4	
21	BH10361000010	Ø4 filling pipe nut	H62	2	
20	BH10361100010	3/8 copper pipe ext. connector	H62	2	
19	BH12361000010	3/8 copper pipe inner connector	H62	2	
18	---	Ø4 filling pipe	TP2	2	
17	---	Cyclone dust separator	Assembly	1	Option
16	---	Elec. handgrip assembly	Assembly	1	
15	---	Auto feeding assembly	Assembly	1	
14	YW66081900000	Flat washer 8x19x2.0 Longline	Assembly	1	
13	YW61082000000	Inner bar, column head screw arrangement	Assembly	4	
12	---	Lifting hole cover plate	SPCC15	4	
11	---	Transmission assembly	Assembly	1	
10	YW61085000000	Inner bar, column head screw arrangement	H62	2	
09	BH10269009510	Screen bracket pipe	H62	2	
08	YR10011000100	Three compound seal ring Ø101	Assembly	1	
07	---	Shield assembly	Assembly	1	
06	---	Feed box assembly	Assembly	1	
05	---	Cutting chamber assembly	Assembly	1	
04	---	Screen bracket assembly	Assembly	1	
03	YR40083500000	Star handle B-type H8-35	Assembly	2	
02	---	Storage box	Assembly/welding	1	
01	---	Rack assembly	Assembly/welding	1	
No.	Material number	Name	Mat.	Num.	Remarks
Title			Scale	No.	
Drawing no.			Mat.	Mat.	
Granulator Assembly			Surface req	Mat No.	

SHINI 神戶電機株式会社
Shini Plastics Technologies, Inc.

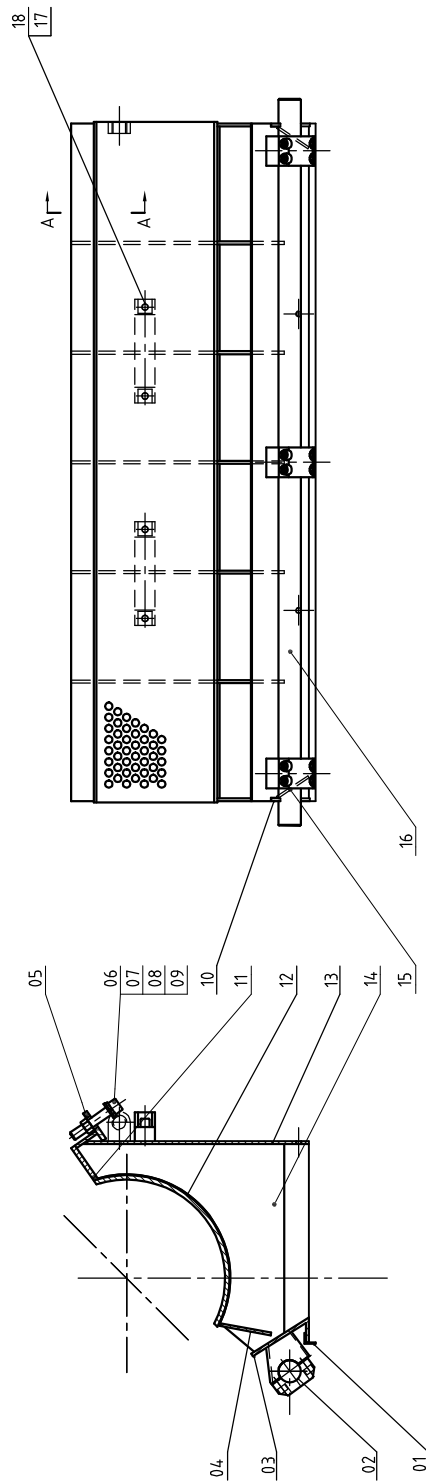
Mark: Before Mod. After Mod. Mod. by Date App. by Date



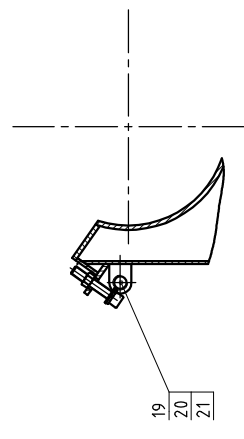
16	BP82323200044	Filter cloth 3	Filter cloth 3	Filter cloth 3	1
15	YW61081000100	Inner hex. column head screw M8x20	Inner hex. column head screw M8x20	8.8	3
14	BL55360000721	Lever bracket	Lever bracket	Welding assembly	3
13	YW64000800100	Hex. nut M8	Hex. nut M8	8	3
12	YW60080000000	Upper bracket	Upper bracket	Welding assembly	3
11	BL55360000621	Upper bracket	Upper bracket	Welding assembly	3
10	BP82313100044	Filter cloth 4	Filter cloth 4	Welding assembly	1
9	--	Cyclone dust separator	Cyclone dust separator	Welding assembly	1
8	--	Exhaust air pipe	Exhaust air pipe	Welding assembly	1
7	YW090001000100	Lifting ball M10	Lifting ball M10	25	2
6	YW60102500100	Hex. bolt M10x25	Hex. bolt M10x25	8.8	3
5	YW66102000100	Flat washer 10	Flat washer 10	14.0HV	12
4	YW65010000100	Spring washer 10	Spring washer 10	65Mn	12
3	YW66081600000	Flat washer 8	Flat washer 8	14.0HV	21
2	YW65008000200	Spring washer 8	Spring washer 8	65Mn	15
1	YW61082000200	Inner hex. column head screw M8x20	Inner hex. column head screw M8x20	12.9	12

Title		Drawing no.	
Cyclone Dust Separator		SG-26/36	
Ver.	Draw.	Ver.	Draw.
App. By	Desi.	App. By	Desi.
Date	Check	Date	Check
Before Mod.	After Mod.	Before Mod.	After Mod.
Modified by:	Modified by:	Date	Date
Surface req.		Mat. No.	
Scale		Remarks	
Num.		Num.	
Mat.		Mat.	

SHINI 偉島電熱機械股份有限公司
Shini Plastics Technologies, Inc.



A--A



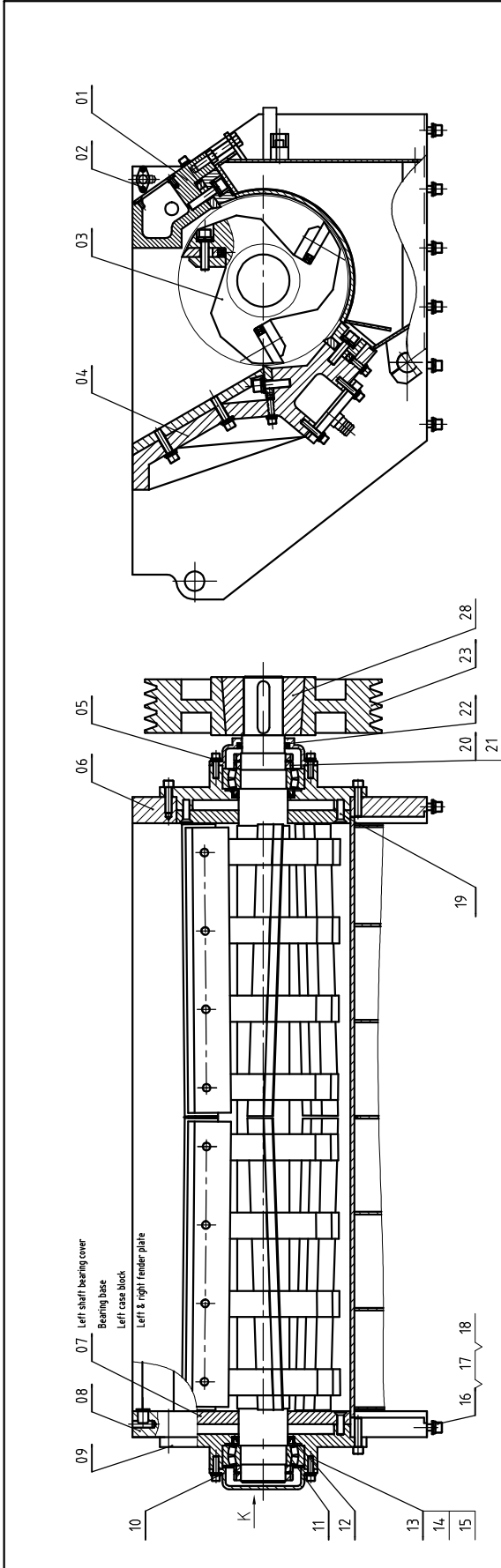
16	BH11269003210	Screen bracket rotating shaft	4.5	1	
15	--	Screen bracket fender	SPCC3.0	2	
14	--	Screen bracket lining plate	SPH4.0	5	
13	--	Screen bracket front plate	SPH4.0	1	
12	BL52269000320	Screen (ø10)	4.5	1	
11	--	Upper screen bracket (ø14.4x53x6)	SPH6.0	1	
10	--	Screen bracket left & right end plate	SPH4.0	2	
09	YW64.012100000	Hex. nut (ø1610 MI2-Longline)		5	
08	YW65012000000	Spring washer (ø179.12-Longline)		5	
07	YW661224.00000	Flat washer (Longline,ø179.12x4.5-Longline)		5	
06	YW60127030000	Inner hex. column head screw (ø1710x1.5-Longline)		5	
05	--	Screen bracket fixed plate	SPH4.0xSPH6.0	1	
04	--	Screen bracket rear rubber plate (ø15x70x4)	SPH4.0	1	
03	--	Screen bracket rear plate	SPH6.0	1	
02	BH10269002310	Screen bracket shaft base assembly	Assembly	3	
01	--	Screen bracket rear rubber plate	SPCC2.0	1	

21	YW64.200100000	Hex. thin. nut (ø1610MI2x5-Longline)	1						
20	YE30221200100	Split positioning column (ø1610x1.5-Longline)	0235A	1					
19	BH10269002310	Spring ball seat	0235A	1					
18	YW61083000000	Inner hex. column head screw (ø1710x1.5-Longline)	4						
17	BW20012000140	Alu. square head screw (L200x8 hole) b.k.	Alu. alloy	2					

Title		SGF-2690		Drawing no.	
Screen Bracket Assembly					
Draw	Ver.	App.	By	Date	
Desi.		Check			
App.		App.			
Mark	Before Mod.	After Mod.	Modified by:	Date	

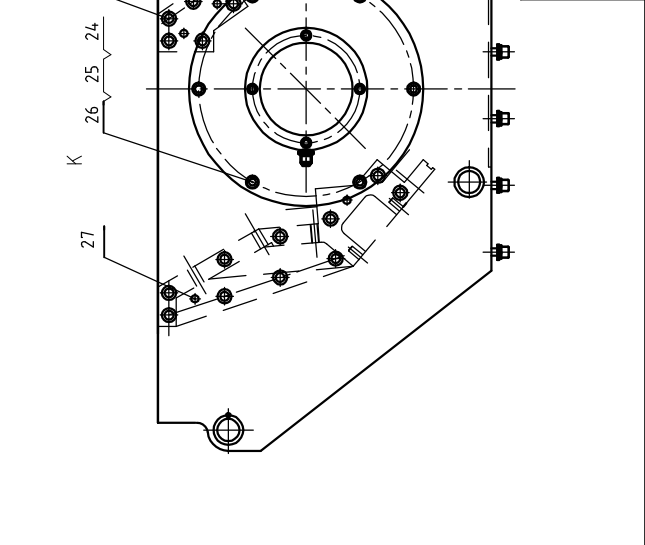


Scale	Num.	Remarks
Surface req.	Mat.	
Mat.	Num.	
Mat.	Num.	

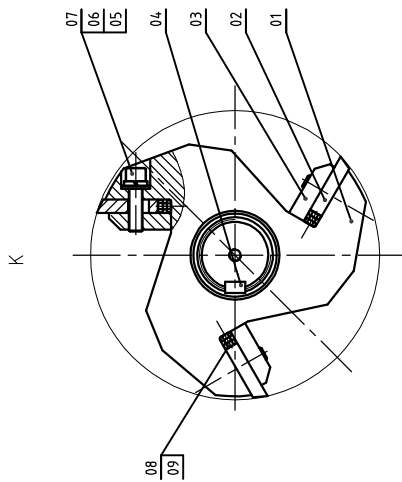
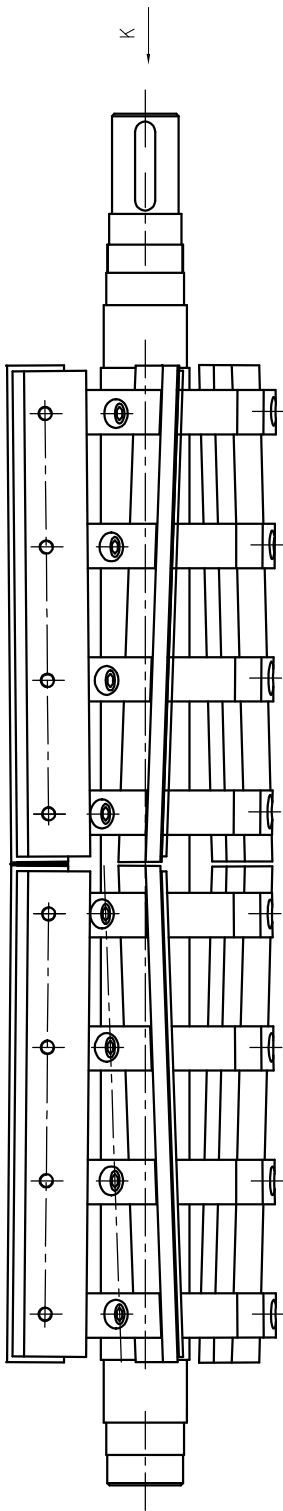


22	YR80806500000	Rotary shaft O-type seal ring f885888	1
21	YW09680000200	Lock washer for round nut	0.235A
20	YW69680700000	Small round nut M8x2	35
19	YW61103500500	Inner hex nut round case @70.0x30.5-10-Lugsize	8
18	YW65010000000	Standard spring washer @19.0-Lugsize	12
17	YW66102000100	Flat washer 4 grade @70.0x30.5-Lugsize	12
16	YW61104000200	Inner hex nut round case @70.0x30.5-Lugsize	6
15	YW65008000200	Standard spring washer @19.0-Lugsize	6
14	YW66081900000	Flat washer 8x19x2.0-Lugsize	6
13	YW61083000300	Inner hex nut round case @70.0x30.5-Lugsize	6
12	YR20759500000	Inner roller (left) rotary shaft O-type seal ring	Assembly
11	YW19222700000	Self-aligning roller bearing 22214	GCr15
10	BW30269000710	Left shaft bearing cover	QT500-7
09	BW30269000610	Bearing base	QT500-7
08	BW30269000510	Left case block	45
07	BH11269002210	Left & right fender plate	45
06	BW30269000410	Right case block	45
05	BW30269000310	Right bearing cover	QT500-7
04	--	Inner block device	Assembly
03	--	Blade rest shaft device	Assembly
02	--	Proximity switch base	SPCC3.0
01	--	Front block device	Assembly

28	BW30353505420	Large taper sleeve shaft 35x35x40(Lugsize)	1
27	YW09105000000	Worm shaft 10x50	45
26	YW65012200000	Standard spring washer @19.0-Lugsize	12
25	YW66122400000	Flat washer 4 grade @70.0x30.5-Lugsize	12
24	YW61125000000	Inner hex nut round case @70.0x30.5-Lugsize	44
23	BW30035505420	Large ball wheel shaft 35x35x40(Lugsize)	1



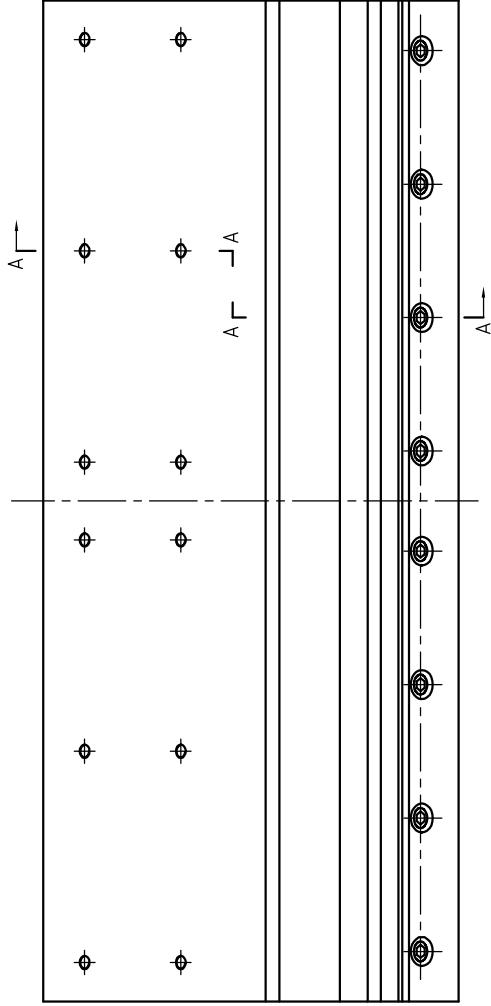
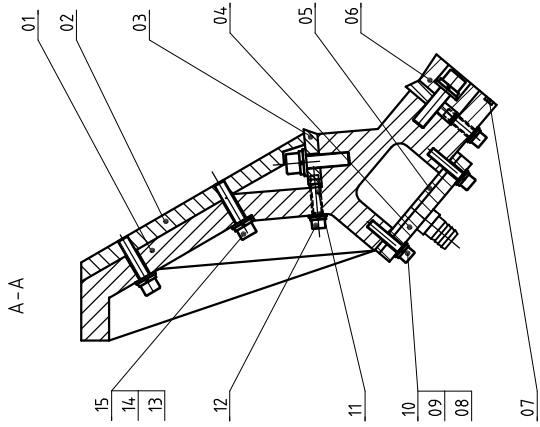
Title: **SGF-2690** Drawing no. _____
 Drawing Chamber Assembly
SHINI 信昌電熱機械股份有限公司
 Shini Plastics Technologies, Inc.
 Mark Before Mod. After Mod. Modified by. Date App. Check By Date
 Ver. Draw Desi. App. Date
 Scale: _____
 Surface req. _____
 Mar. No. _____



No.	Material number	Name	Mat.	Num.	Remarks
08	YW64.000600300	Hex. nut M6		9	
09	YW60062000000	Hex. bolt M6x20		12.9	12
07	YW65012200000	Spring washer 12		65Mn	24
06	YW66122400000	Flat washer 12		14.0HV	24
05	YW61124500000	Lower ball column ball screw M12x4.5		12.9	24
04	BH11269000210	Flat key 18x11x80		4.5	1
03	BH11269002310	Retaining plate pressing plate		0.235A	6
02	BW40269000110	Retaining blade		SKD11	6
01	BH10269002410	Blade rest shaft		Assembly welding	1

Title		Drawing no.	
Blade Rest Shaft			
Draw.	Ver.	Scale	Mat.
Desi.	App. by	Surface req.	Mat. No.
Check	Date		
App.	Date		
Mark	Before Mod.	After Mod.	Modified by. Date

SHINI 信昌電熱機械股份有限公司
Shini Plastics Technologies, Inc.

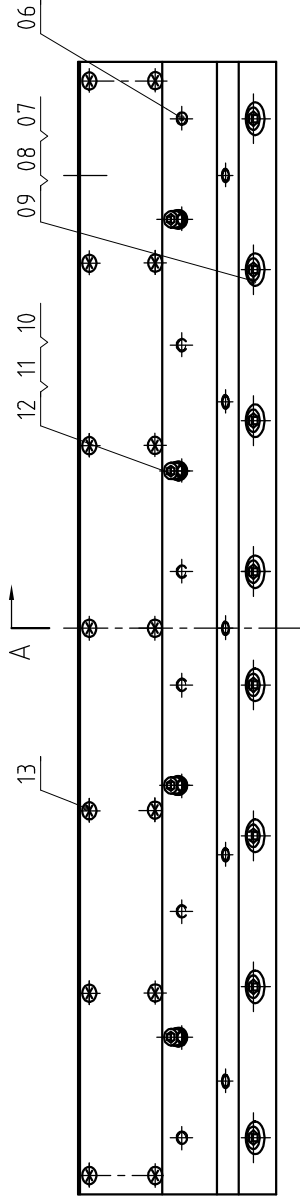
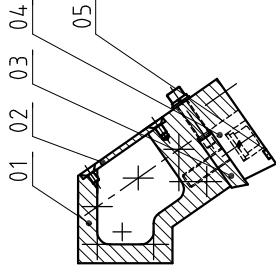


12	YW610644.030000	Inner fix. column hole cover @/11/16x3.94x1.6mm fixed-usage	8	
11	YW680830000000	Inner fix. fix. roller hole cover @/11/16x3.94x1.6mm	12	
10	YW65008000100	Slide bearing roller @/19/18-usage	22	
09	YW660816000000	Flat washer A grade @/19/11.8-usage	22	
08	YW610831000300	Inner fix. roller hole cover @/11/16x3.94x1.6mm	14	
07	--	Foamed plastic 45b-cx-8	2	
06	BH11269003310	Fixed blade pressing plate	Q235A 2	
05	--	Water supply cover plate washer	Rubber 1	
04	--	Water supply cover plate	Assembly welding 1	
03	BW40269000010	Fixed blade	SKD11 4	
02	BH11269002710	Fender pressing plate	4.5 2	
01	BW30269001010	Rear block	Q1500-7 1	
No.	Material number	Name	Mat. Num	Remarks
Title		Drawing no.		Scale
Rear Block Device		SGF-2690		Num.
				Mat.
				Surface req.
				Mat No

15	YW65012000000	Standard spring washer @/19/18-usage	28
14	YW661224.000000	Flat washer A grade @/11/16x3.94x1.6mm	28
13	YW61124.500000	Inner fix. column hole cover @/11/16x3.94x1.6mm	28
Draw.	Ver.	App.	Date
Desi.		App.	by
Check			
App.			
Mark	Before Mod.	After Mod.	Modified by.
			Date



A - A

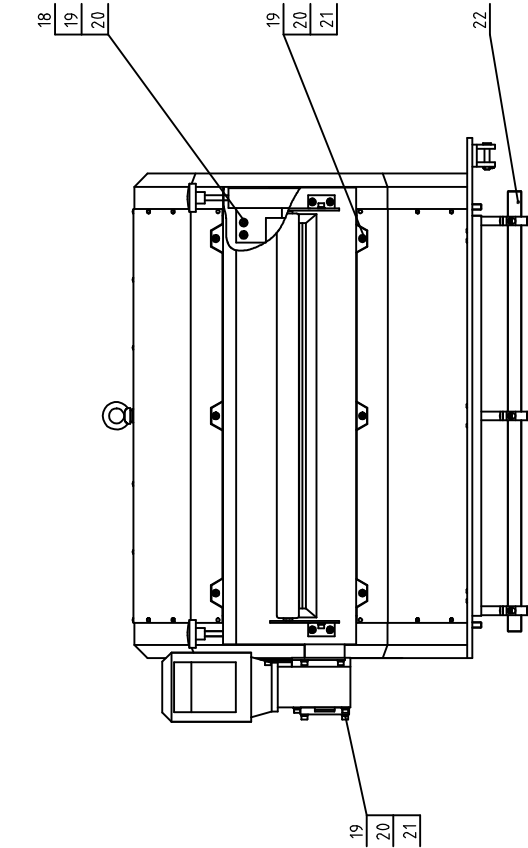
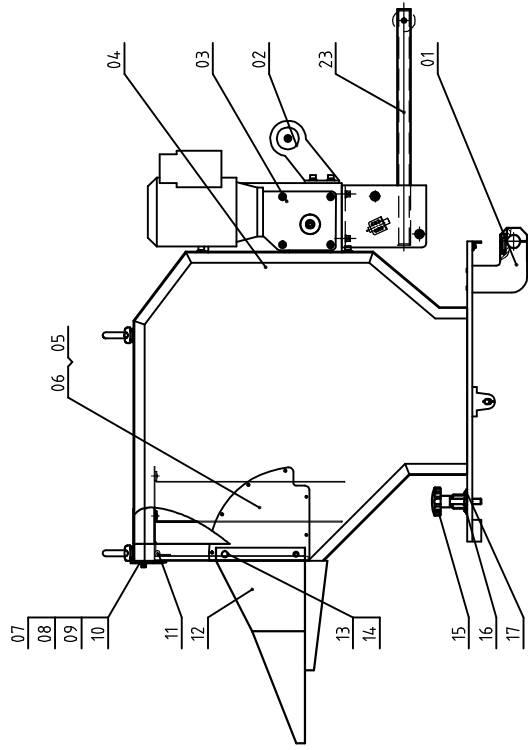


A

13	YW61061200100	Inner hex column screw GB/T93.1 M6x12-Longline	14
12	YW65008000100	Standard spring washer GB/T93.8-Longline	4
11	YW66081600000	Flat washer A grade GB/T97.1 8-Longline	4
10	YW61064030000	Inner hex column head screw GB/T93.1 M6x40-29mm thread-Longline	4
09	YW65012200000	Standard spring washer GB/T93.12-Longline	8
08	YW66122400000	Flat washer A grade GB/T97.1 8x24mm-Longline	8
07	YW61124500000	Inner hex column head screw GB/T93.1 M6x45-29-Longline	8
06	YW68083000000	Inner hex flat end lock screw GB/T7746.2-Longline	6
05	--	Foamed plastic 450x6x8	2
04	BH11269003310	Fixed blade pressing plate	Q235A 2
03	BW40269000010	Fixed blade	SKD11 2
02	--	Front block cover plate	SPH4.0 1
01	BW30269001110	Front block	QT500-7 1
No.	Material number	Name	Mat. Num. Remarks

Title		SGF-2690		Drawing no.	
Draw		Ver.		Scale	
Desi.		App.		Mat.	
Check		by		Surface req.	
App.		Date		Mat. No.	
Mark	Before Mod.	After Mod.	Date	Remarks	

SHINI
 信易電熱機械股份有限公司
 Shini Plastics Technologies, Inc.



18	YW610830000000	Iron die roller head screw Ø7/11/16x3.5-Longlife	8
17	YW61051000200	Iron roller pin head screw M16xØ18/16.0-Longlife	6
16	BH11241000010	Screw Ø12xSG-24N-ALL-10	5
15	BH11270000010	Star handle M12x70	Assemblies 2
14	YW01101000000	Spring M10	65Mn 0.07m 2
13	YW30003600100	Sphere handle SG-36	1
12	--	Feed part	SPCC2.0 1
11	--	Fender assembly	Assemblies 1
10	YW65006000100	Shield spring roller Ø7/19.5-Longlife	2
09	YW66061800000	Large water spray Ø67x6.5x16.5-Longlife	4
08	YW61062500000	Iron die roller head screw Ø7/11/16x4.5-10x3.5	2
07	--	Fender plate feed piece	SPCC3.0 2
06	--	Feed box fixed plate with hole	SUS201 1
05	--	Feed box fixed plate without hole	SUS201 1
04	--	Feed box case	Assemblies 1
03	--	Feeder	Assemblies 1
02	YW09269000000	Feeding gear roller	Assemblies 1
01	--	Feeding box bottom plate	Assemblies 1

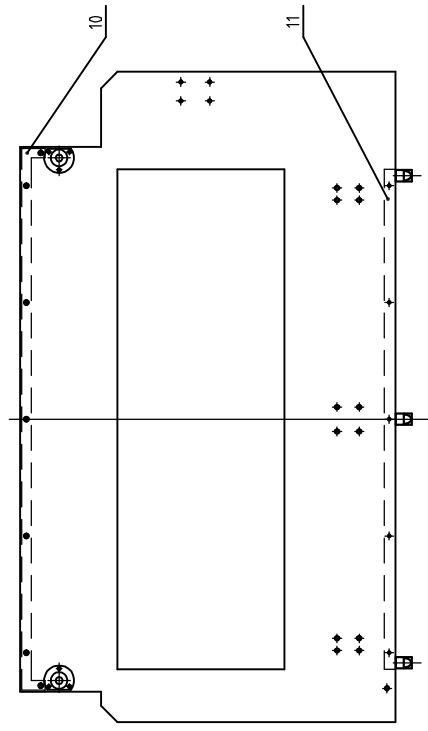
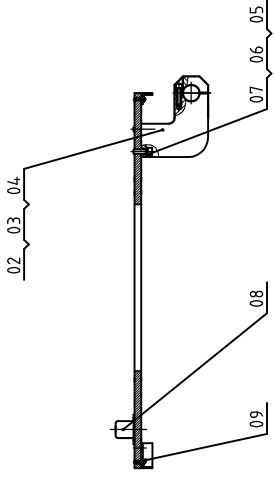
23	--	Rolling mill-break protector	Assemblies 1
22	BH11269003010	Feed box rotating shaft	45 1
21	YW61081600000	Iron die roller head screw Ø7/11/16x3.5-Longlife	10
20	YW66081900000	Flat water spray Ø67x2.0-Longlife	18
19	YW65008000100	Shield spring roller Ø7/19.5-Longlife	18

Title: SGF-2690
 Drawing no.:
 Feed Box Assembly

Mark: Before Mod. After Mod. Modified by: Date: App. by: Date: Ver. App. by Date

Scale: Num. Mat. Surface req. Mat. No.



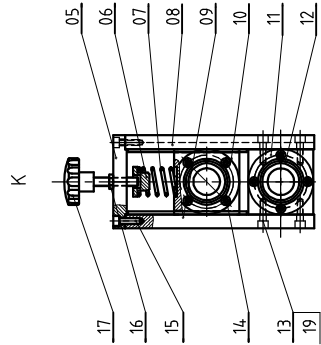
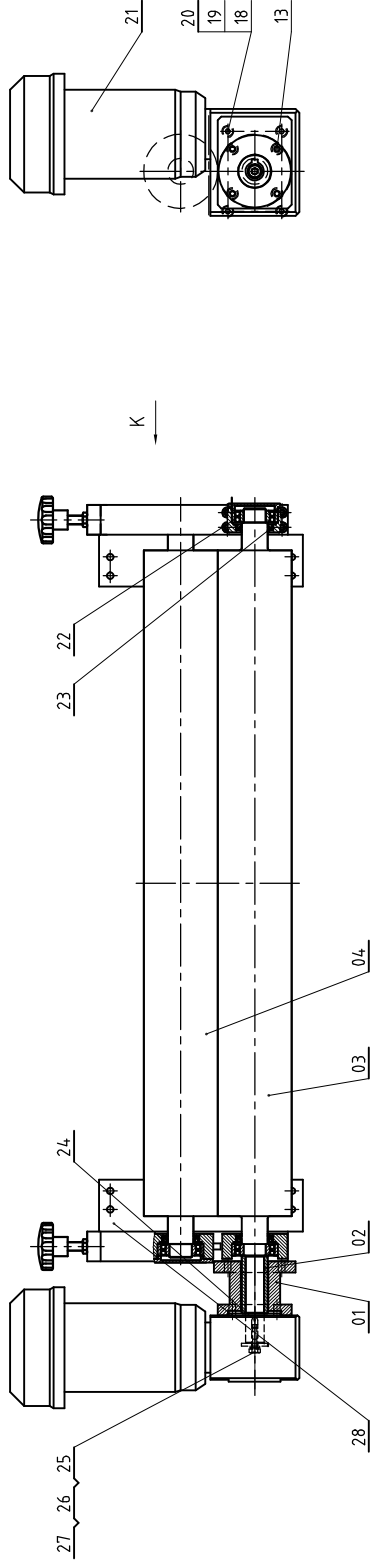


11	--	Rear corner plate	SPPC3.0	1	
10	--	Front corner plate	SPPC3.0	1	
09	YW62051500000	Lapress steel fill washer 3/16x1/2x1/8		12	
08	--	Bolt cover	SPPCC2.0	2	
07	YW65008000100	Stainless spring washer GB/T9318-Large		12	
06	YW66081900000	Large washer A grade 8x19x2.0-Longpin		12	
05	YW61082500000	Large washer A grade 8x19x2.0-Longpin		12	
04	BL52269004220	Rolling shaft middle base	Q235A	1	
03	BL52269004120	Rolling shaft left base	Q235A	1	
02	BL52269004020	Rolling shaft right base	Q235A	1	
01	--	Bottom plate	SPH12.0	1	

No.	Material number	Name	Mat.	Num.	Remarks
Drawing no.					
Title					
SGF-2690					
Feed Box Bottom Plate					
Scale					
Surface req.					
Mat. No.					



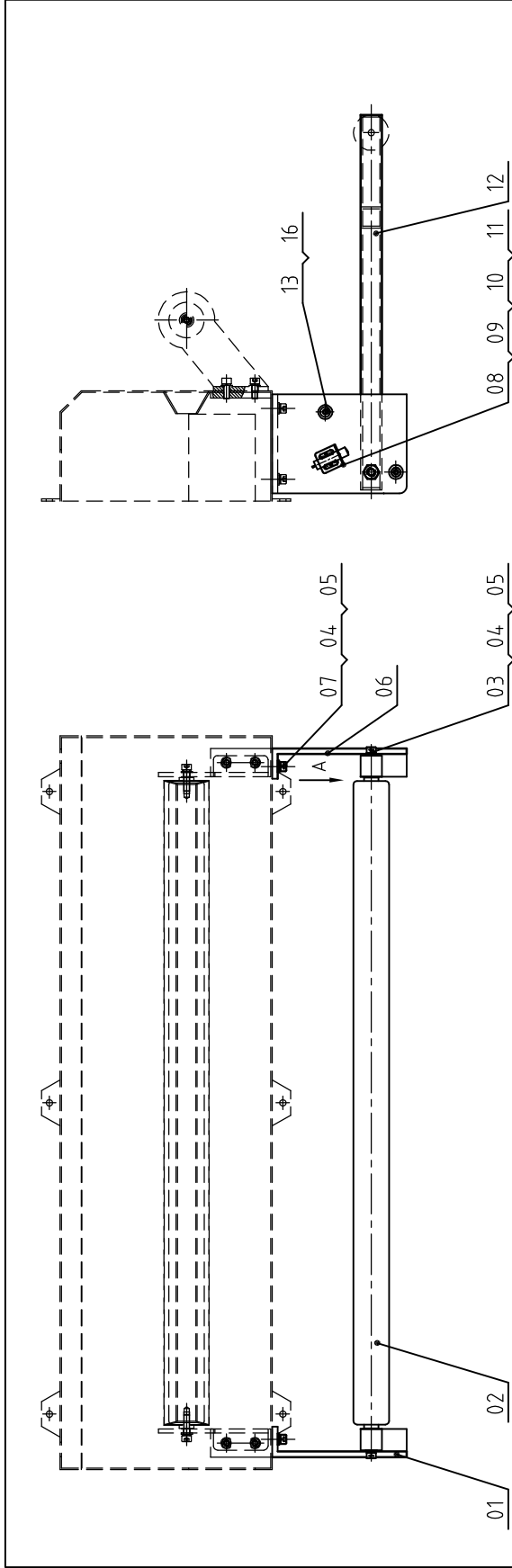
Ver.	Draw	App.	Check	App.	Date
App. by	Desi.	Mod.	Check	App.	Date
Mark	Before Mod.	After Mod.	Modified by	Date	Date



No.	Material number	Name	Mat.	Num.	Remarks
18	YW660819000000	Fit roller Øx19x2.0 Longzine	14-0HV	8	
17	BH1127000010	Star handle M12x70	Assemblies	2	
16	YW640121000000	Hex nut M12	5	4	
15	YW610825000000	Inner hex column head screw M8x25	6.8	8	
14	YW610612001000	Inner hex column screw M6x12	6.8	12	
13	YW610830000000	Inner hex column head screw M8x30	12.9	20	
12	BH10269001510	Bearing cover	Q235A	3	
11	BH10269000940	Fixed bearing base	Q235A	2	
10	BH10269000840	Sliding bearing base	Q235A	2	
09	BH10269000740	Frame left side plate	Q235A	2	
08	BH10269000640	Left mount plate	Q235A	1	
07	YW092660003000	Pressure spring	65Mn	2	
06	BH11263600210	Pressure spring base	Q235A	2	
05	BH10269001640	Frame upper plate	Q235A	2	
04	YW092690007000	Driven feed roller	Assembly welding	1	
03	YW092690002000	Driving feed roller	Assembly welding	1	
02	RAL9011	Bearing locating sleeve	Q235A	1	
01	BH10269000410	Gear box flange	Q235A	1	

No.	Material number	Name	Mat.	Num.	Remarks
28	BH10269001040	Comm. flat key	Q235A	1	
27	YW650100000000	Spring washer 10	65Mn	1	
26	--	Fender ring	SUS201	1	
25	YW600825001000	Hex nut G5708190x2.0-Longzine	12.9	1	
24	BH1269000810	Left mount plate	45	1	
23	YR203550000000	Rotary shaft O-type seal ring 35	Rubber	4	
22	YW116206002000	Deep groove ball bearing 6206	GCr15	4	
21	YW509750001000	Gear box 0.75 kW	Assemblies	1	
20	YW610835000000	Inner hex column head screw M8x35	12.9	4	
19	YW650080001000	Spring washer 8	65Mn	32	

Title: SGF-2690 Feeder Drawing no. _____
 Ver. _____
 Drawn by _____
 Desig. by _____
 Check by _____
 App. by _____
 Date _____
 Mark Before Mod. After Mod. Modified by. Date Date Date
 Scale: _____
 Surface req. _____
 Mat. No. _____
SHINI 信昌塑料機械股份有限公司
 Shini Plastics Technologies, Inc.



A
2:1

No.	Material number	Name	Mat.	Num.	Remarks
12	--	Bracket	SPH8.0	1	Assembly welding
11	YW65005200000	Spring washer 5	65Mn	2	
10	YW66051000000	Flat washer 5	14.0HV	2	
09	YW61051000000	Inner hex. column head screw M5×10	12.9	2	
08	--	Switch fixed base	SPCC2.0	1	
07	YW61082500000	Inner hex. column head screw M8×25	8.8	4	
06	--	Right support plate	SPH8.0	1	
05	YW65008000100	Spring washer 8	65Mn	6	
04	YW66081900000	Flat washer 8×19×2.0 Longzine	14.0HV	14	
03	YW61085000000	Inner hex. column head screw M8×50	12.9	2	
02	YW09269000000	Guide roller	Assemblies	1	
01	--	Left support plate	SPH8.0	1	

No.	Material number	Name	Mat.	Num.	Remarks
16	BH10269005510	Bracket pipe	H62	4	
15	YW6400800100	Hex. anti-loose nut M8	4	2	
14	YW61085000000	Inner hex. column head screw M8×55	12.9	2	
13	YW61083000300	Inner hex. column head screw M8×30	8.8	4	

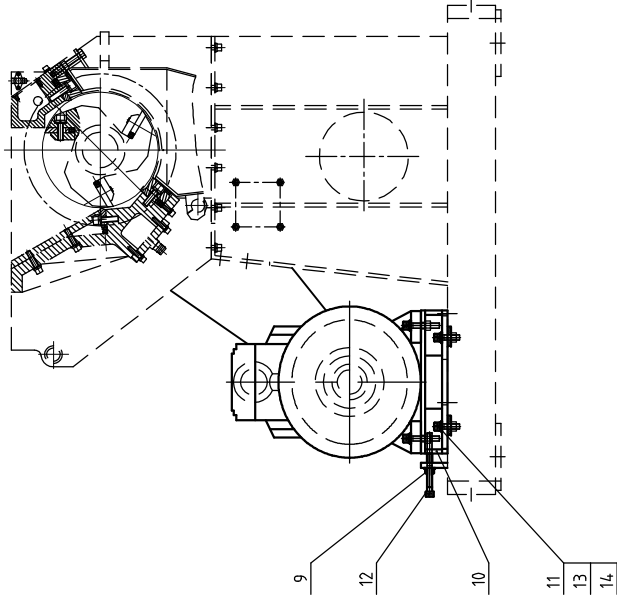
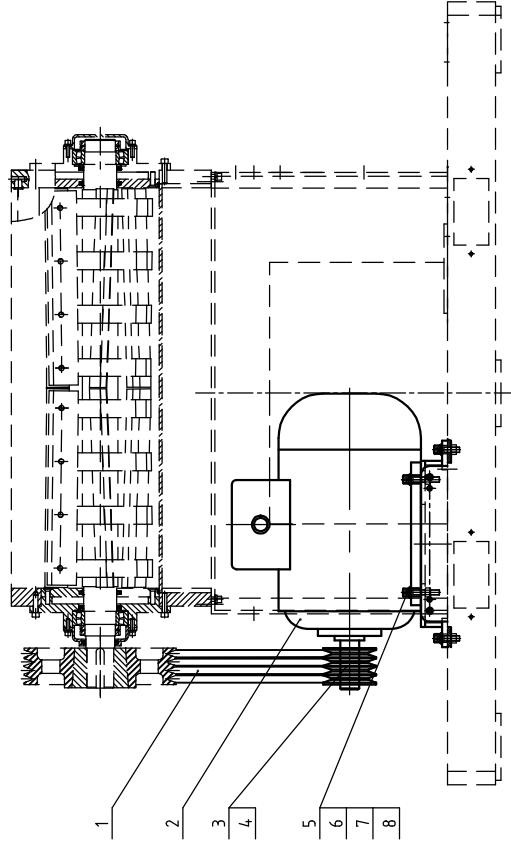
Mark	Before Mod.	After Mod.	Modified by.	Date	App.	Date

Title		Drawing no.	
Rotating Anti-break Protector		SGF-2690	

Scale	Num.
Surface req.	Mat.

Surface req.	Mat No.

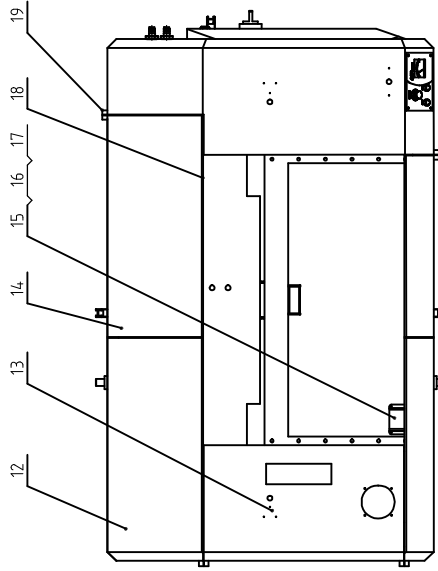
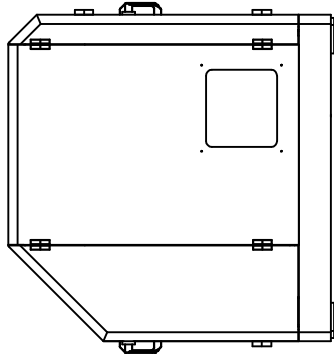
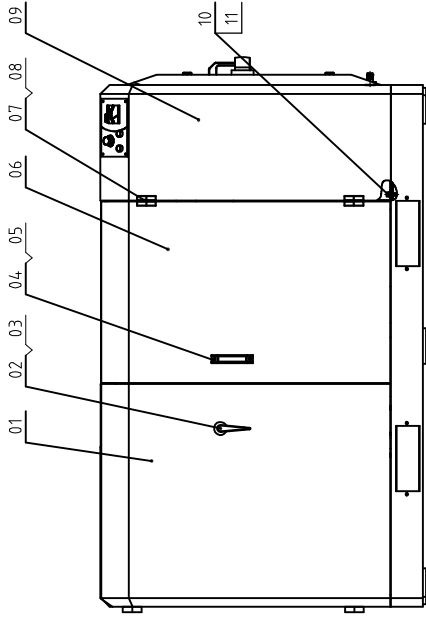
SHINI
信易電熱機械股份有限公司
Shini Plastics Technologies, Inc.



14	YW66163000000	Flat washer A grade @ 171116153x3x3 Engine	4
13	YW65016200000	Standard spring washer CB/193 1/2-Large	4
12	YW60127030000	Bolt hex. cold head steel @ 17111620x-19/Large	2
11	YW61165000000	Bolt hex. cold head steel @ 17111620x-19/Large	4
10	--	Flange motor base	SPH10&SPH2 1
09	YW60128500000	Hex. Nut @ 17111617x-19x1.5-8.8-Large	2
08	YW64012100000	Hex. Nut @ 17111617x-19x1.5-12-Large	4
07	YW65012000000	Standard spring washer CB/193 1/2-Large	65Min 6
06	YW66122400000	Flat washer A grade @ 171116153x3x3 Engine	14.0HV 6
05	YW61125000000	Bolt hex. cold head steel @ 17111620x-19/Large	2
04	BW30003005320	Roller bar steel SS-304-2012-42 HT50 (assembly)	HT 250 1
03	BW3001205420	Roller bar steel SS-304-2012-42 HT50 (assembly)	HT 250 1
02	YM10201500100	Motor W0117M-80L-APB1 E3 2M/0.95HZ	Assemblies 1 230V
	YM10201500400	Motor W0117M-80L-APB1 E3 2M/0.95HZ	Assemblies 1 400V
01	YR00224000100	Triangle belt XPB-2240	4

Mark	Before Mod.	Affer Mod.	Modified by	Date
Draw	Desi.	Check	App.	
Ver.		App.	by	Date
Title		Drawing no.		
SGF-2690		Driven Assembly		
Material number		Name		
No.		Mat. Num.		
Remarks		Scale		
		Surface req.		
		Mat. No.		

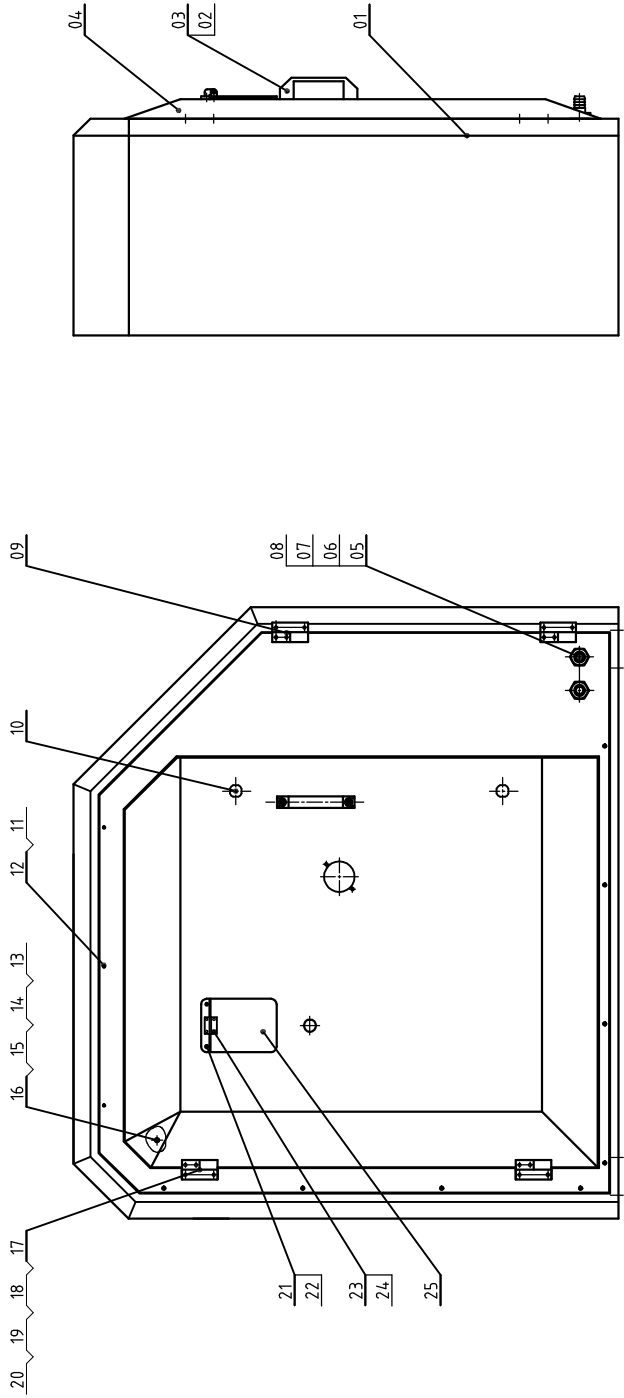




19	YW06203100100	Large hinge (L203-1:left)	Alu. alloy	4
18	YR10011000100	Compound sealing strip (K011)	8.5m	8.5m
17	YW66051000000	Flat washer A grade (Ø19*1.5-Engine)	14.0HV	8
16	YW61051200000	Door pin column ball screw M5×12	6.8	8
15	--	Safety switch cover	SPCC15	2
14	--	Rear right door	SPCC2.0	1
13	--	Left shield	Assemblies	1
12	--	Rear left door	Assembly welding	1
11	YW65008000100	Spring washer 1	65Mn	16
10	YW66081900000	Flat washer 6x19x2.0-Engine	14.0HV	16
09	--	Right shield	Assemblies	1
08	YW61051000200	(Cross socket pan head screw-H Ø10mmx14-Engine)	12.9	32
07	YW06203100200	Large hinge (L203-1:right)	Alu. alloy	4
06	--	Front right door	Assembly welding	1
05	YW61082000000	Door pin column ball screw M8×20	6.8	20
04	YW20012000100	Handle M8×20	Alu. alloy	2
03	YW00307200000	Door lock MS307-2-B	Greenplate alloy	2
02	YW00007000000	Door lock connecting rod	Assemblies	2
01	--	Front left door	Assembly welding	1

Mark	Before Mod.	After Mod.	Modified by.	Date
Draw	Ver.	App.	by	Date
Desi.	App.	by	by	Date
Check	App.	by	by	Date
App.	App.	by	by	Date
Title		Drawing no.		
SGF-2690		Shield Assembly		
Material number		Name		
No.		Remarks		
Scale		Mat. Num.		
Surface req.		Mat.		

SHINI 信昌電機機械股份有限公司
Shini Plastics Technologies, Inc.



14	YW64080600000	Hex nut M8		5	4
13	YW6500800200	Spring washer 8		65Mn	4
12	YW63052500100	Cross socket pan head screw M5x25		4.8	11
11	--	(unit link)		SPCC2.0	1
10	YW00000000000	(unit link)			2
09	YW06203100000	Hinge CL203-(right)		Alu. alloy	2
08	YR60160500000	Rubber cloth pipe inner dia. 16x5			2
07	YW02000200000	Stainless steel pipe clamp 2"		SUS201	2
06	YW64200200000	Hex nut M20		5	2
05	BH12300800010	Inset 8 Outlet water pipe connector		H62	2
04	--	(unit link)		SPCC2.0	1
03	YW61082500000	Insert for column head screw M6x6		6.8	2
02	YW20022000100	Handle M8-120		Alu. alloy	1
01	--	(unit link)		SPCC2.0	1
No.	Material number	Name		Mat.	Num.

25	BR90269000010	Adjuster cover plate	PC plate	1	
24	YW61041000100	Cross socket countersunk head screw M4x4	4.8	2	
23	YW06219200100	Hinge CL219-2(right)	Alu. alloy	1	
22	YW62041200000	Cross socket pan head screw M4x12	4.8	4	
21	--	Adjuster cover plate (fixed plate)	SUS201	1	
20	YW65050000000	Spring washer 5	65Mn	16	
19	YW66051300000	Flat washer 5	14-0HV	16	
18	YW62051500000	Cross socket pan head screw M5x5	4.8	16	
17	YW06203100100	Hinge CL219-2(left)	Alu. alloy	2	
16	--	Elec. mount plate	SECC1.5	1	
15	YW66081600000	Flat washer 8	14-0HV	4	

Title: SGF-26 Drawing no. _____

Right Shield

Scale: _____

Surface req. _____

Mat. No. _____

Ver. _____

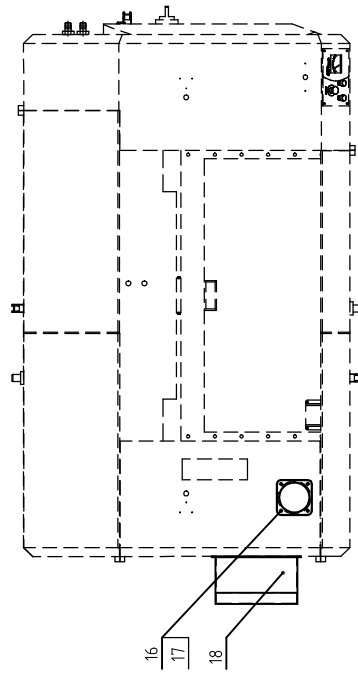
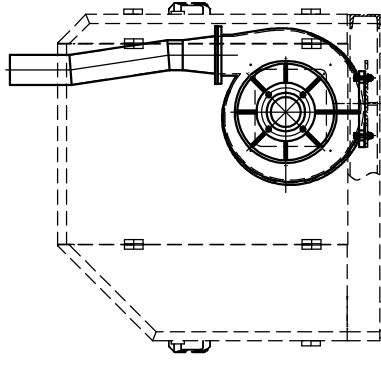
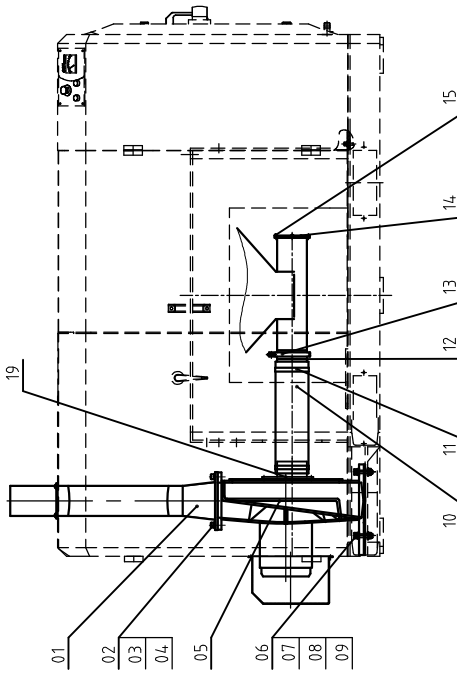
App. _____

By _____


Date _____

Mark Before Mod. After Mod. Modified by: _____ Date _____





No.	Material number	Name	Mat.	Num.	Remarks
19	--	Side cover connecting pipe	Assembly welding	2	
18	--	Blower cover	SPCC2.0	1	
17	YW67481900000	Flange washer pan head self-tapping screw STL4x9		4	
16	--	Outlet lined flange	SPH4.0	2	
15	YW61051000200	Flange socket pan head screw-H 6mmx14.5mm	6.8	4	
14	--	Air inlet flange	15 screen plate	1	
13	YW070004.00000	Stainless steel pipe clamp 4"	SUS201	1	
12	--	Screen bracket connecting pipe	Assembly welding	1	
11	YW020004.00000	Stainless steel pipe clamp 4"	SUS201	2	
10	YR600004.00100	Steel wire hose 4.1" X270		1	
09	YW64.012100000	Hex. nut M2	9	4	
08	YW65072000000	Spring washer 12	65Mn	4	
07	YW661224.00000	Flat washer 12	14.0HV	8	
06	YW61125000000	Hex flat (dimm) ball screw M12x50	12.9	4	
05	BM30224.000050	Conveying blower 22 kw	Assembly	1	
04	YW61082500100	Hex flat (dimm) ball screw M8x25	12.9	4	
03	YW66081900000	Flat washer 8x19x2.0 Longzine	14.0HV	4	
02	YW65008000100	Spring washer 8	65Mn	4	
01	--	Conveying blower discharge pipe	Assembly welding	1	

Title		Drawing no.	
SGF-2690			
Auto Conveying Assembly			
Draw.	Ver.	App.	By
Desi.		Check	Date
Mark	Before Mod.	After Mod.	Modified by. Date
 信昌電機機械股份有限公司 Shini Plastics Technologies, Inc.		Surface req.	Mat. No.