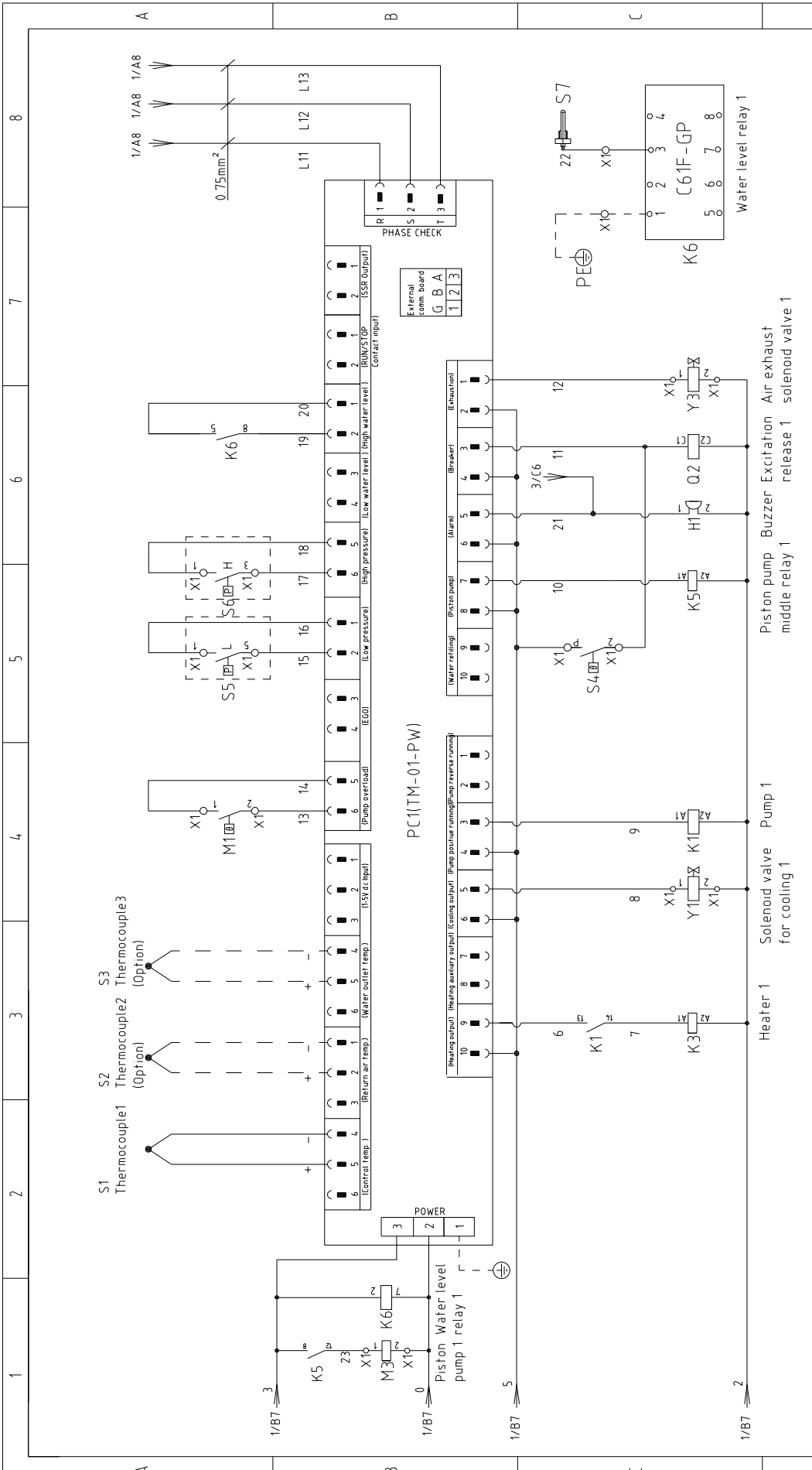


版本 Ver.D		Title STM-607PW-D Main Circuit Diagram		Drawing NO STM-607PW-D-CE-4.00V-B-1		Scale		Page 1	
		Designer		Approved by		Standard CE		Totally 7 Pages	
		Proofread by		Date 20181114		Voltage 400V		Frequency 50HZ	
Mark		Modified by		Modify date		Frequency		50HZ	
		After modification				Voltage		400V	
		Checked by				Frequency		50HZ	
		Checked by				Voltage		400V	
		Checked by				Frequency		50HZ	





1	2	3	4	5	6	7	8
<p>版本 Ver.D</p> <p>Note: M1 is the overheat protection output contact of water pump.</p>							
Mark		Before modification	Modified by	Modify date	Date		20181114
Mark		After modification	Checked by	Proofread by	Approved by		20181114
Version		B		Version			
Title		STM-607PW-D		Title			
Control Circuit Diagram 1		Control Circuit Diagram 1		Control Circuit Diagram 1			
Drawing NO		STM-607PW-D-CE-4.00V-B-2		Drawing NO			
Standard		CE		Standard			
Scale				Scale			
Page		2		Page			
Totally		7		Totally			
Pages				Pages			
Voltage		400V		Voltage			
Frequency		50HZ		Frequency			
Mark		Before modification		Mark			
After modification		Modified by		After modification			
Modify date		20181114		Modify date			
Date		20181114		Date			
Approved by				Approved by			
Designer				Designer			
Drawer				Drawer			

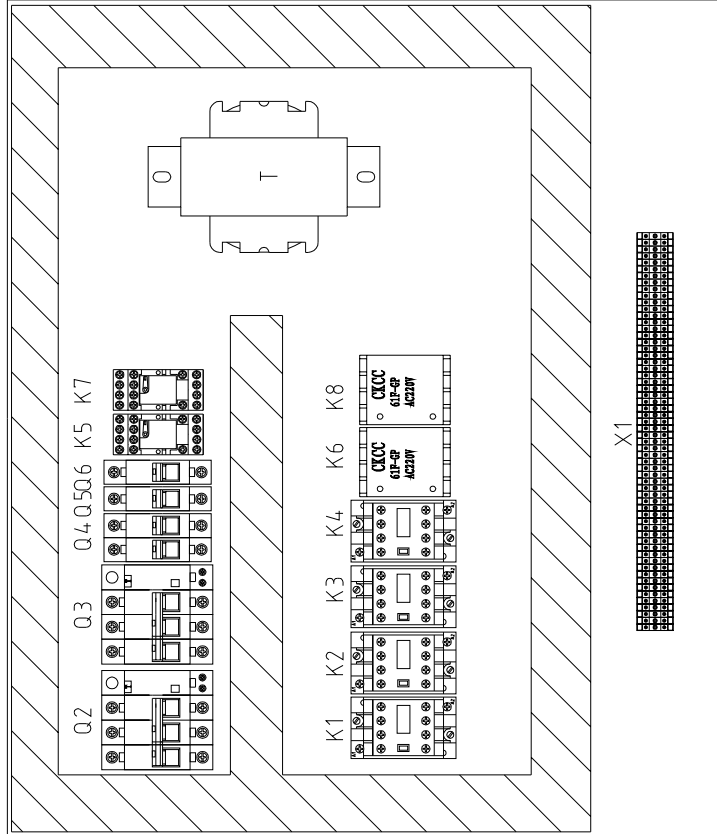
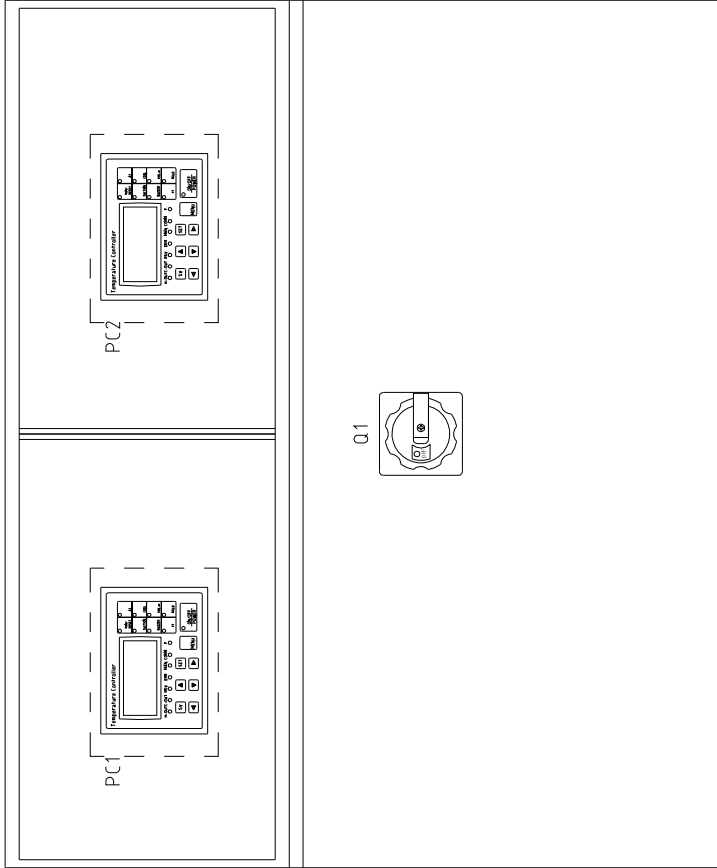


1 2 3 4 5 6 7 8

A

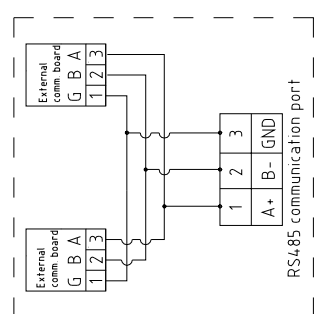
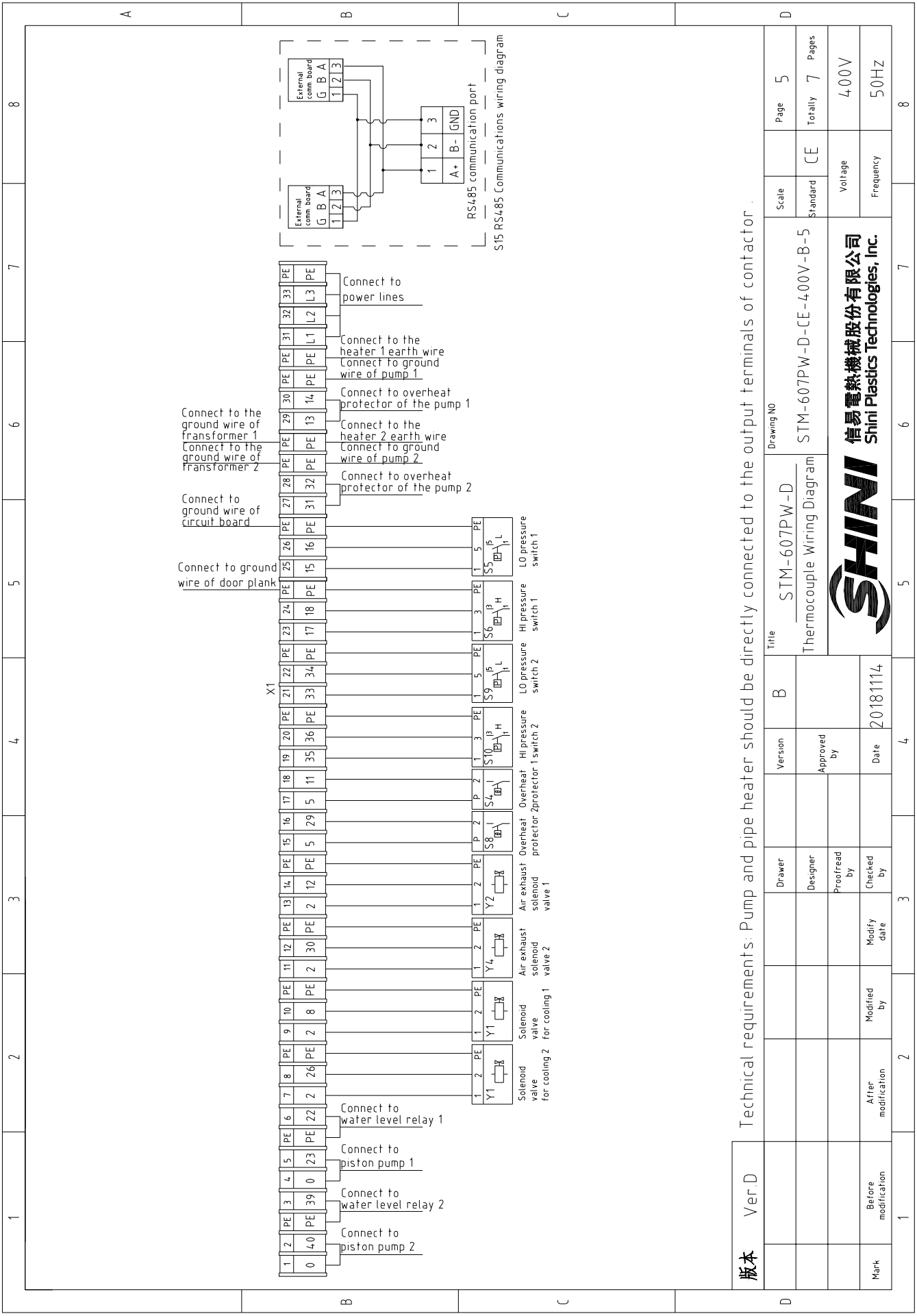
B

C



版本 Ver.D Technical requirements: Pump and pipe heater should be directly connected to the output terminals of contactor .

D	Ver.D	Drawer	Version	Title		Scale	Page
		Designer	Approved by	STM-607PW-D Electrical Components Layout		Standard	Totally
		Proofread by	Date	STM-607PW-D-CE-400V-B-4		Voltage	4
		Checked by	20181114	SHINI 信易電熱機械股份有限公司 Shini Plastics Technologies, Inc.		Frequency	7
	Before modification	Modified by				400V	4
	After modification	Modify date				50HZ	7
							8



S15 RS485 Communications wiring diagram

Technical requirements: Pump and pipe heater should be directly connected to the output terminals of contactor.

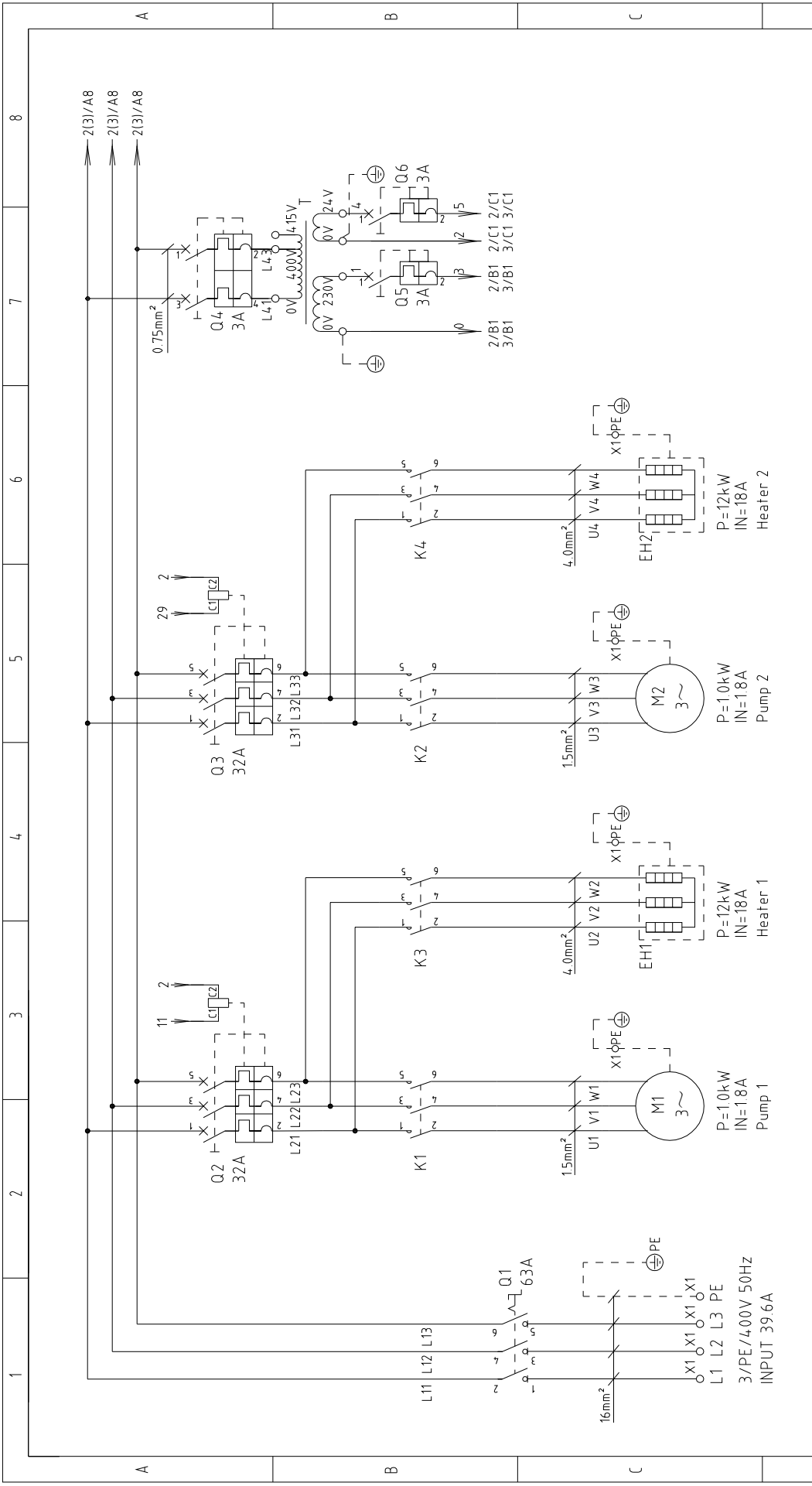
版本	Ver.D
Mark	Before modification
After modification	
Modified by	
Modify date	
Checked by	
Proofread by	
Designer	
Drawer	
Version	B
Title	STM-607PW-D
Thermocouple Wiring Diagram	
Drawing NO	STM-607PW-D-CE-4.00V-B-5
Scale	Standard
Page	5
Totally	7
Pages	
Voltage	4.00V
Frequency	50HZ



信易电热机械股份有限公司
Shini Plastics Technologies, Inc.

1		2		3		4		5		6		7		8				
NO.	Symbol	Name	Manufacturer	Type	Specification	Number	Material number	Remark										
1	Q1	Main power switch	EATON	P1-32/EA/SVB	32A	1	YE10323200000											
2	Q2 Q3	Circuit breakers	TECO	BM-63C/3016S	16A	2	YE40301603000											
3		Excitation release	TECO	MX	24V	2	YE40024000000											
4	Q4	Circuit breakers	TECO	BM-63C/2003S 2P	3A	1	YE40200203000											
5	Q5 Q6	Circuit breakers	TECO	BM-63C/1003S 1P	3A	2	YE40100203000											
6	K1 K2	Contactors	SIEMENS	3RT6015-1AB01	24V 50/60HZ	2	YE00601502500											
7	K3 K4	Contactors	SIEMENS	3RT6018-1AB01	24V 50/60HZ	2	YE00601802500											
8	K5 K7	Middle relay	WEIDEMILE	GR-2C-AC24V	24VAC 50/60HZ	2	YE03022400300											
9	K6 K8	Water level relay	JINDONG	C61F-GP	230VAC 50HZ	2	YE02612200000											
10	T	Transformer	JIUXIN	IN=400V/415V OUT=24V/230V	80VA/500mA	1	YE70040003300											
11	PC1 PC2	Circuit board	YUYUN	TM-01-PW 220VAC	180~430V 50/60HZ	2	YE81122000900											
12	S1 S11	Thermocouple	SHINI	----	----	2	----	(1)										
13	S2 S3 S12 S13	Thermocouple	SHINI	----	----	4	----	(1)(2)										
14	S4 S8	Overheat protector	----	----	----	2	----	(1)										
15	S5 S9	LO pressure switch	----	----	----	2	----	(1)										
16	S6 10	HI pressure switch	----	----	----	2	----	(1)										
17	S7 S14	Water level probe	----	----	----	2	----	(1)										
18	S15	Communication interface board RS-485 (double Dsub-9pin connector)	YUYUN	----	----	1	YE90048501200											
19		Shell RS485(SAL - 700G-A - 19)0	BINCHENG	----	----	1	YR40048500000											
20	X1	Terminal board	HONEYWELL	SK2.5	2.5mm ²	30	YE60002503200											
21		Terminal board	HONEYWELL	GK2.5PE	2.5mm ² PE	14	YE60002503400											
22		Terminal board	HONEYWELL	GK6	6.0mm ²	3	YE60000603200											
23		Terminal board	HONEYWELL	GK6PE	6.0mm ² PE	1	YE60000603500											
24	Y1 Y2 Y3 Y4	Solenoid valve	----	----	24VAC 50/60HZ	4	----	(1)										
25	H1	Buzzer	JINGKANG	PK-35A	24VAC/DC	1	YE84003500600											
版本																		
Ver.D		Notes: (1)Means it's not the material inside the control box (2)Means equipped with function of displaying water outlet and return water temperature.																
		Drawer	Designer	Proofread by	Checked by	Modify date	Modified by	After modification	Title		Version		B		Scale		Page	
									STM-607PW-D		Electrical Components list 1		STM-607PW-D-CE-4.00V-B-6		Standard		CE	
									SHINI		SHINI		SHINI		Voltage		400V	
Mark		Before modification	Modified by	Modify date	Checked by	Date	20181114		SHINI		SHINI		SHINI		Frequency		50HZ	
1		2		3		4		5		6		7		8				

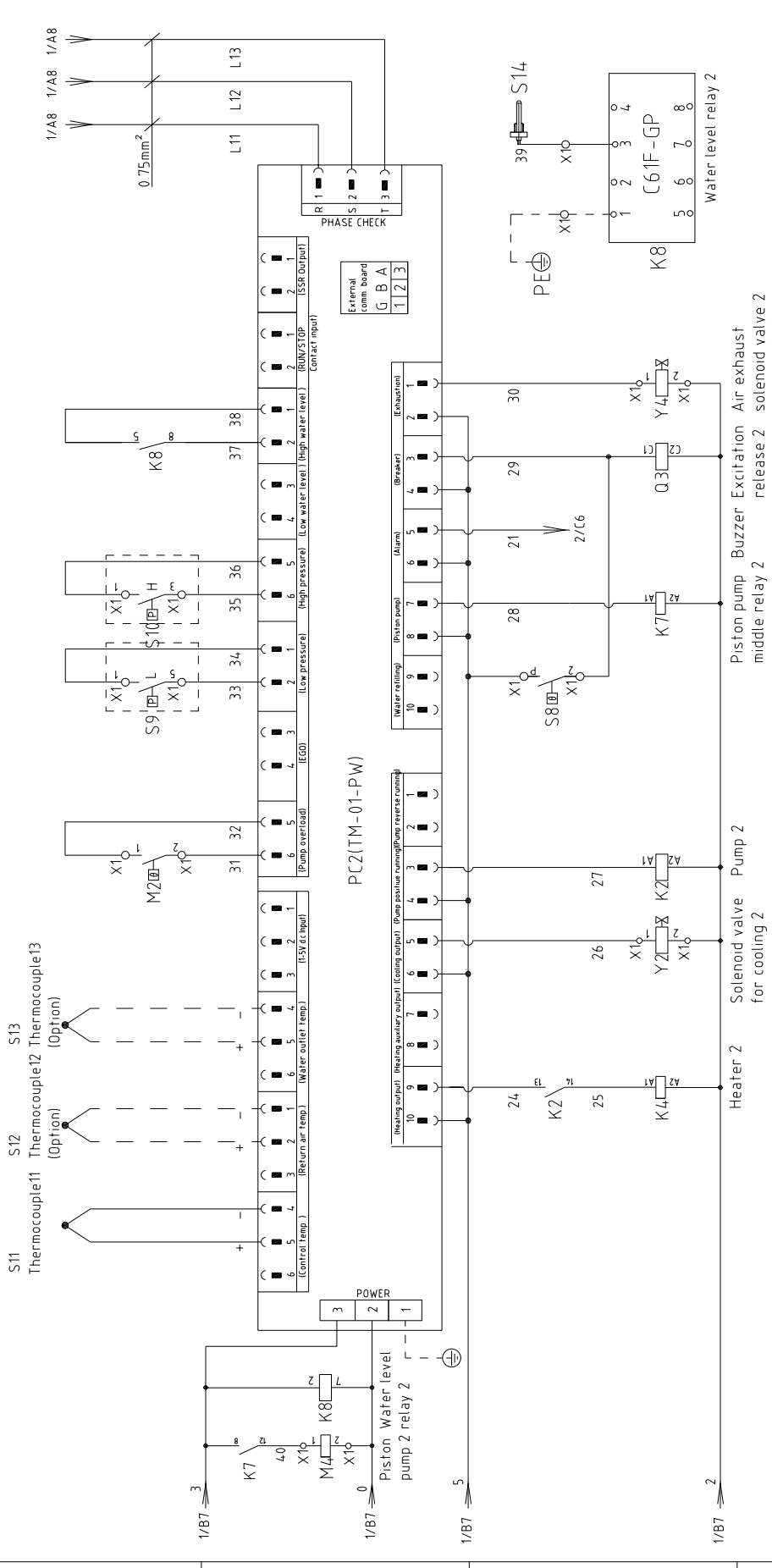




Mark	Before modification	After modification	Modified by	Modify date	Checked by	Proofread by	Designer	Drawer	Version	0	Title	STM-1220PW-D Main Circuit Diagram		Scale	Standard	CE	Page	1	Totally	7	Pages
Version	Ver.A																				
Standard																					
Voltage	400V																				
Frequency	50HZ																				

Drawing NO	STM-1220PW-D-CE-400V-0-1																				
Company Name	SHINI 信易电热机械股份有限公司 Shini Plastics Technologies, Inc.																				
Date	20181115																				
Approved by																					

Page	1																				
Totally	7																				
Pages	400V																				
Frequency	50HZ																				



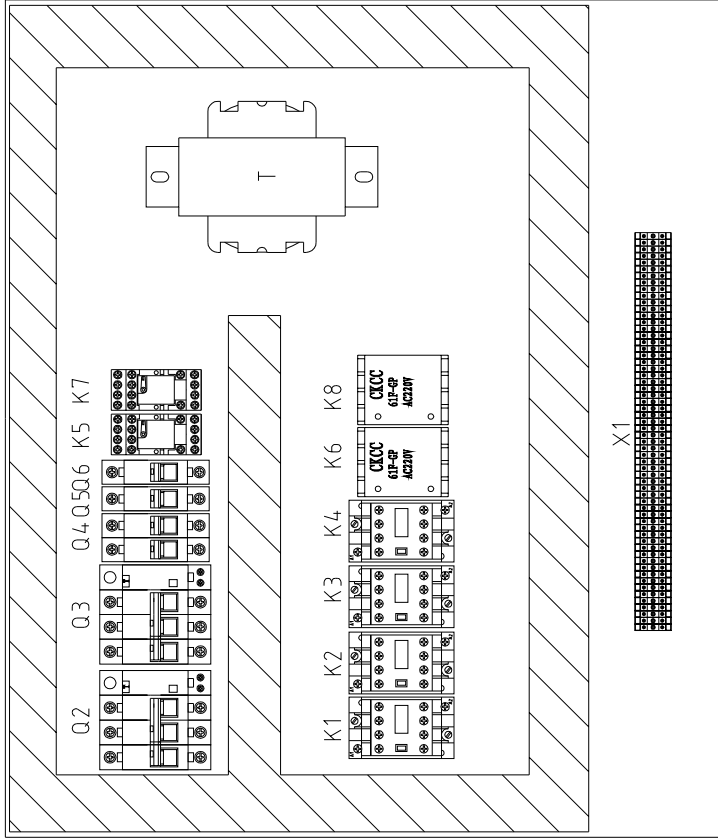
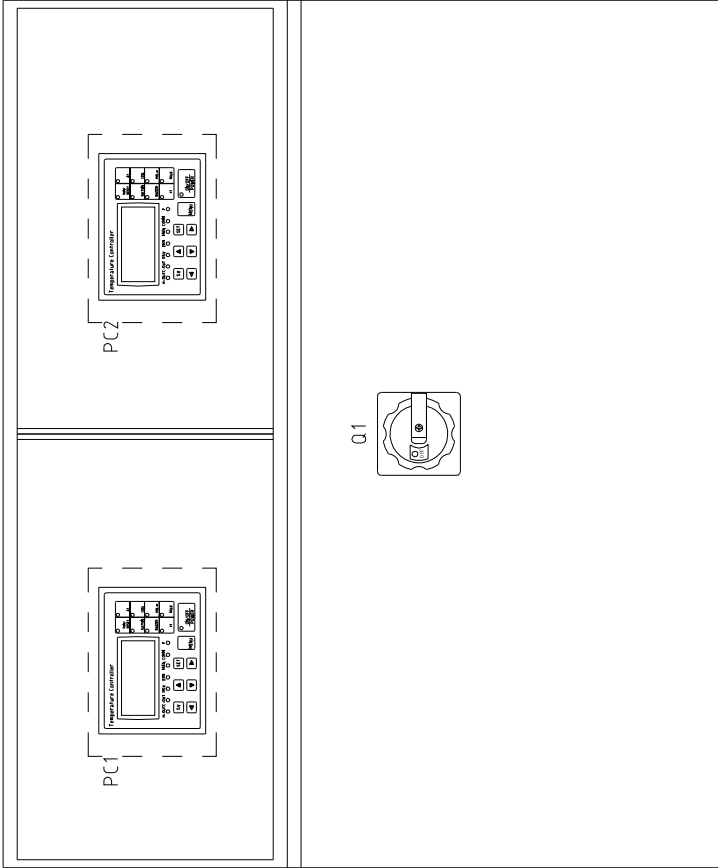
版本	Ver.A	Note: M2 is the overheat protection output contact of water pump.		Scale	Standard	CE	Page	3
Mark	Before modification	Modified by	Modify date	Designer	Proofread by	Checked by	Totally	7
				Drawer	Approved by	Date	Voltage	400V
				Version	0	20181115	Frequency	50HZ
Title		STM-1220PW-D		Drawing NO		STM-1220PW-D-CE-400V-0-3		
Control Circuit Diagram 2								
SHINI		信易電熱機械股份有限公司		Shini Plastics Technologies, Inc.				
1		2		3		4		5
6		7		8		9		10

1 2 3 4 5 6 7 8

A

B

C



Technical requirements: Pump and pipe heater should be directly connected to the output terminals of contactor .

版本 Ver.A

D	Title		Drawing NO		Scale	Page	4
	STM-1220PW-D		STM-1220PW-D-CE-400V-0-4		Standard	Totally	7
Electrical Components Layout				Voltage		400V	
				Frequency		50HZ	
Mark	Before modification	Modified by	Date	20181115			
	After modification	Checked by	Approved by				
		Proofread by	Version	0			
		Designer	Drawer				
		Checked by	Checked by				
		Modify date	Date	20181115			
1	2	3	4	5	6	7	8



1		2		3		4		5		6		7		8	
NO.	Symbol	Name	Manufacturer	Type	Specification	Number	Material number	Remark							
1	Q1	Main power switch	EATON	P3-63/EA/SVB	63A	1	YE10636300000								
2	Q2 Q3	Circuit breakers	TECO	BM-63C/3032S	32A	2	YE40303203000								
3		Excitation release	TECO	MX	24V	2	YE40024000000								
4	Q4	Circuit breakers	TECO	BM-63C/2003S 2P	3A	1	YE40200203000								
5	Q5 Q6	Circuit breakers	TECO	BM-63C/1003S 1P	3A	2	YE40100203000								
6	K1 K2	Contactors	SIEMENS	3RT6015-1AB01	24V 50/60HZ	2	YE00601502500								
7	K3 K4	Contactors	SIEMENS	3RT6027-1AC20	24V 50/60HZ	2	YE00602702600								
8	K5 K7	Middle relay	WEIDEMILE	GR-2C-AC24V	24VAC 50/60HZ	2	YE03022400300								
9	K6 K8	Water level relay	JINDONG	C61F-GP	230VAC 50HZ	2	YE02612200000								
10	T	Transformer	JIUXIN	IN=400V/415V OUT=24V/230V	120VA/500mA	1	YE70040003600								
11	PC1 PC2	Circuit board	YUYUN	TM-01-PW 220VAC	180~430V 50/60HZ	2	YE81122000900								
12	S1 S11	Thermocouple	SHINI	----	----	2	----	(1)							
13	S2 S3 S12 S13	Thermocouple	SHINI	----	----	4	----	(1)(2)							
14	S4 S8	Overheat protector	----	----	----	2	----	(1)							
15	S5 S9	LO pressure switch	----	----	----	2	----	(1)							
16	S6 10	HI pressure switch	----	----	----	2	----	(1)							
17	S7 S14	Water level probe	----	----	----	2	----	(1)							
18	S15	Communication interface board RS-485 (double Dsub-9pin connector)	YUYUN	----	----	1	YE90048501200								
19		Shell RS485(SAL - 700G-A - 19)0	BINCHENG	----	----	1	YR40048500000								
20	X1	Terminal board	HONEYWELL	SK2.5	2.5mm ²	30	YE60002503200								
21		Terminal board	HONEYWELL	GK2.5PE	2.5mm ² PE	12	YE60002503400								
22		Terminal board	HONEYWELL	GK5PE	4.0mm ² PE	2	YE60000403500								
23		Terminal board	HONEYWELL	GK16	16.0mm ²	3	YE60001603200								
24		Terminal board	HONEYWELL	GK16PE	16.0mm ² PE	1	YE60001603500								
25	Y1 Y2 Y3 Y4	Solenoid valve	----	----	24VAC 50/60HZ	4	----	(1)							
版本															
Ver.A		Notes: (1)Means it's not the material inside the control box (2)Means equipped with function of displaying water outlet and return water temperature													
D		Title		Drawing NO		Scale		Page		Standard		Voltage		Frequency	
		STM-1220PW-D		STM-1220PW-D		Electrical Components list 1		0		STM-1220PW-D-CE-400V-0-6		CE		400V	
Mark		Before modification		Modified by		Modify date		Proofread by		Checked by		Date		Totally	
												20181115		7	
														Pages	
														400V	
														50HZ	
														8	



