

机型版本	Ver.D
------	-------

Mark	Before modification	Modified by	Modify date	Checked by	Date	Approved by	Version	H	Title
					20190829				SHD-1500U/2000U Main Circuit Diagram 1

Scale	Standard	CE	Page 1
Standard	CE	Totally 6	Pages
Voltage	3 $\phi$ 230V		
Frequency	50Hz		

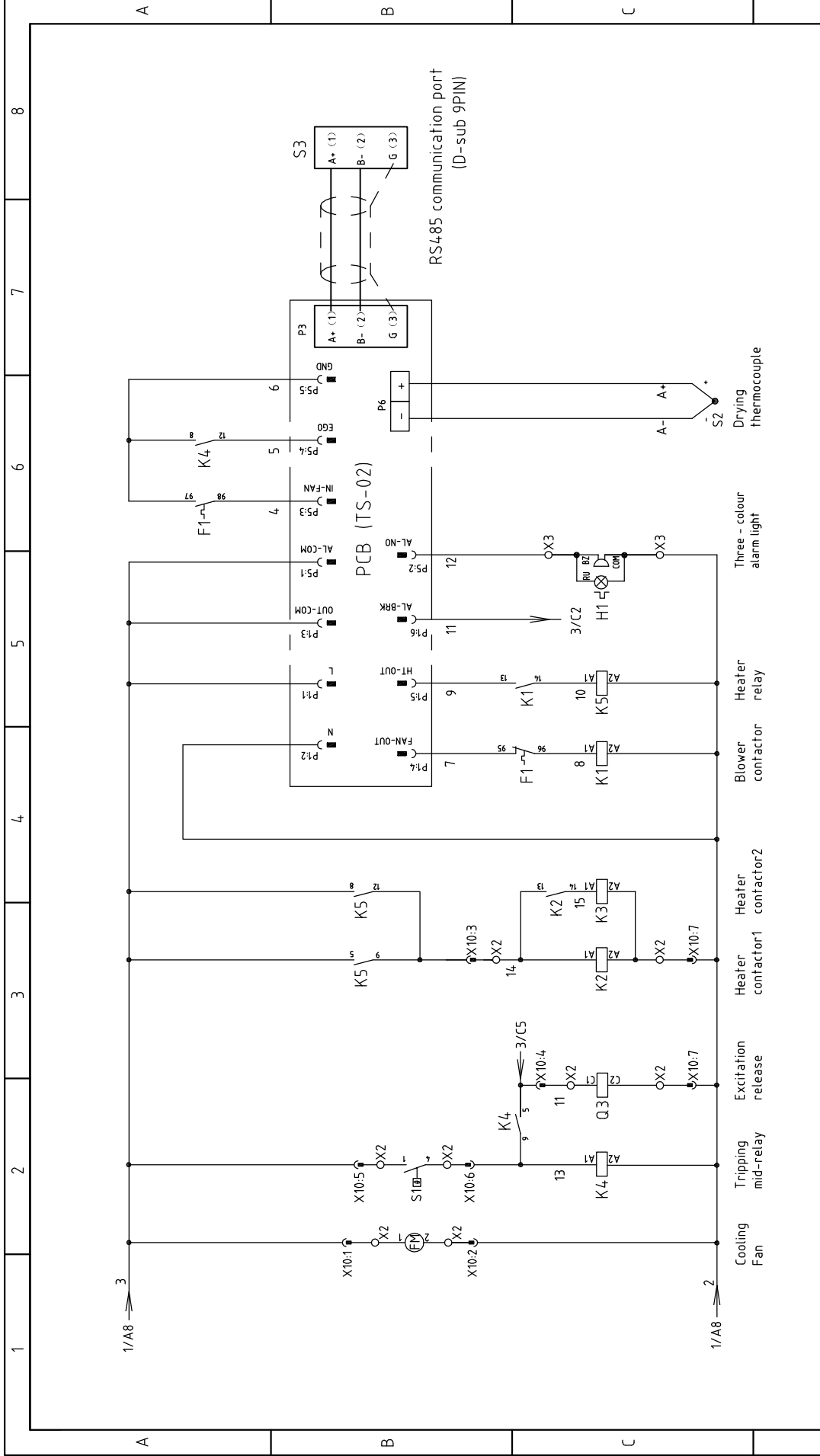
Drawing NO.

SHD-1500U/2000U-CE-230V-H-1

信易电热机械股份有限公司  
Shini Plastics Technologies, Inc.





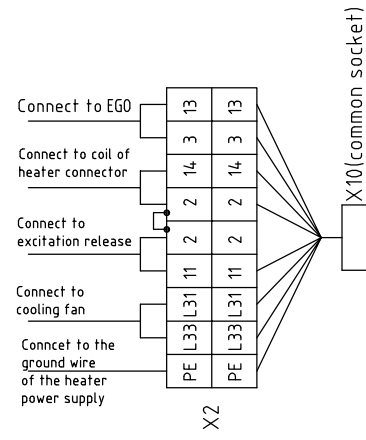
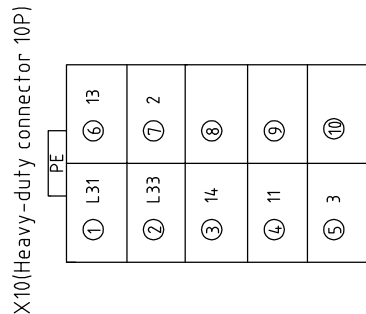
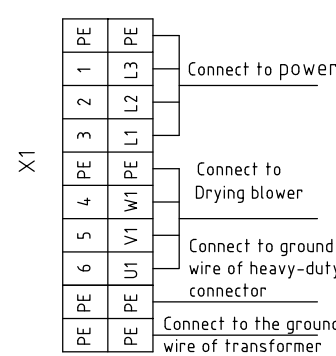
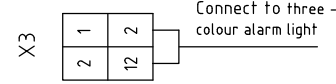
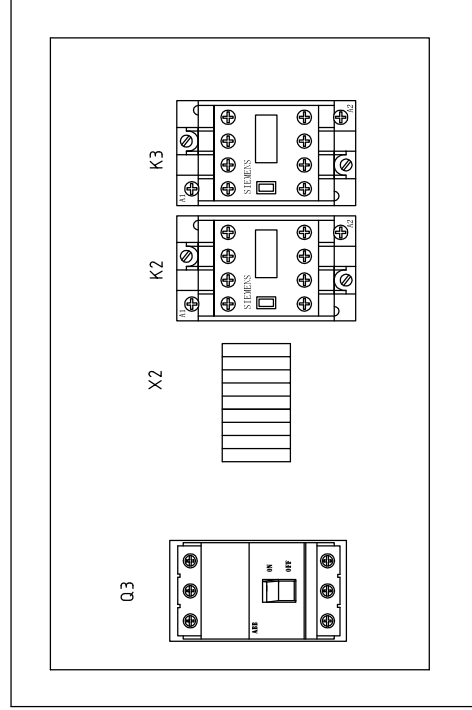
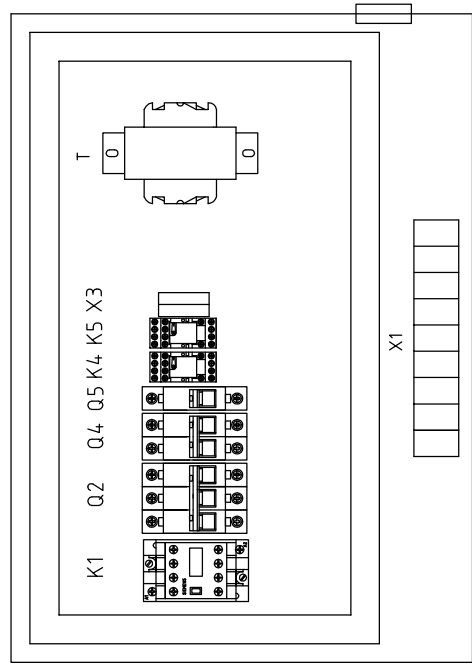


1	2	3	4	5	6	7	8
机型版本 Ver.D							
Mark	Before modification	After modification	Modified by	Modify date	Checked by	Date	20190829
Designer	Proofread by	Approved by	Version	H	Title		
SHD-1500U/2000U					SHD-1500U/2000U-CE-230V-H-3		
Control Circuit Diagram					Scale		
Standard					CE		
Voltage					Page 3		
Frequency					Totally 6 Pages		
3Φ230V					Voltage		
50HZ					Frequency		
1	2	3	4	5	6	7	8

**SHINI**  
信易电热机械股份有限公司  
Shini Plastics Technologies, Inc.

Drying blower control box

Heater control box



Technical Requirement: 1. The power wire of main heater control box is directly connected to the circuit breaker without passing the terminal board.  
 2. The heater wire is directly connected to the heater contactor without passing the terminal board.

机型版本 Ver.D

Mark	Before modification	After modification	Modified by	Modify date	Checked by	Proofread by	Designer	Drawer	Version	H	Title
				20190829							SHD-1500U/2000U Electrical Components Layout


Scale	Standard	CE	Page	4
			Totally	6
			Pages	
			Voltage	3Φ230V
			Frequency	50HZ

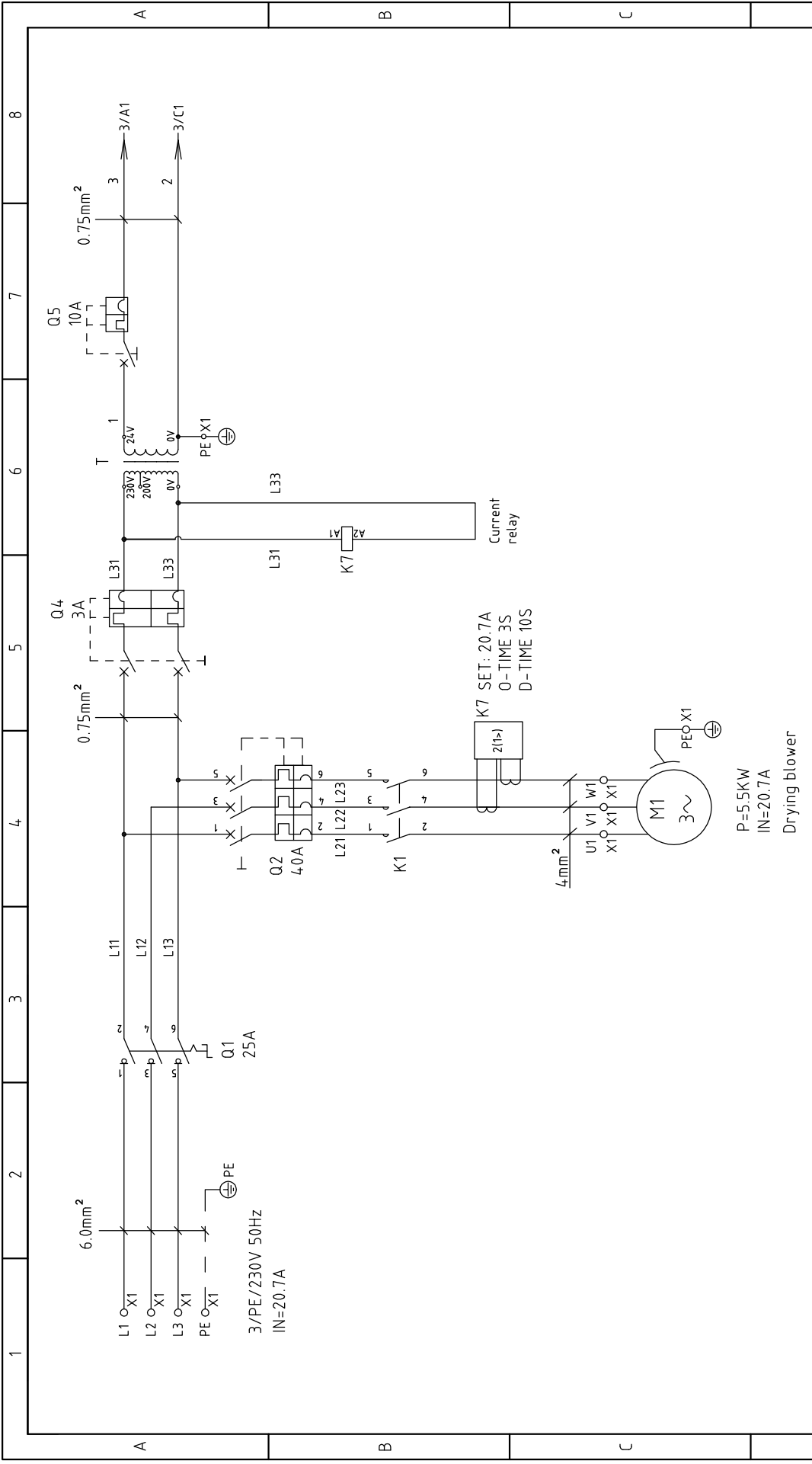
**SHINI**  
 信易电热机械股份有限公司  
 Shini Plastics Technologies, Inc.

1		2		3		4		5		6		7		8	
NO.	Symbol	Name	Manufacturer	Type	Specification	Number	Material number	Remark							
1	Q1	Main power switch	EATON	P1-25/EA/SVB	25A 3P 690V 50/60Hz	1	YE10125250000								
2	Q2	Circuit-breaker	TECO	BM-63C/3025S	25A 3P 230V 50/60Hz	1	YE40302503000								
3	Q3	Circuit-breaker	ABB	A1A125TMF100/10003PFF	100A 3P 230V 50/60Hz	1	YE41110200000								
4		Excitation release	ABB	SOR-C	24V-30V AC/DC(A1A2)	1	YE402430000900								
5	Q4	Circuit-breaker	TECO	BM-63C/2003S	3A 2P	1	YE40200203000								
6	Q5	Circuit-breaker	TECO	BM-63C/1006S	6A 1P	1	YE40100600100								
7	K1	AC Aontactor	SIEMENS	3RT6018-1AB01	16A 3P 1N0 24V AC	1	YE00601802500								
8	K2 K3	AC Aontactor	SIEMENS	3RT5036-1AC20	50A 3P 24V AC	2	YE00503602600								
9		Auxiliary contactor	SIEMENS	3RH5921-1CA10	1N0	1	YE00592110000								
10	K4 K5	Middle relay	HONEYWELL	GR-2C-AC24V	24V 50/60Hz	2	YE03022400300								
11	F1	Overload relay	SIEMENS	3RU126-4AB0	11-16A	1	YE01111600100								
12	T	Transformer	JIUXIN	IN=230V/200V OUT=24V	180VA	1	YE70023005400								
13	PCB	PCB	YUYUN	TS-02 24VAC/DC(components)	24V 50/60Hz	1	YE80022401200								
14	S1	Overheat protector	EGO	115-320°C	250V 16A	1	----	(1)							
15	S2	Thermocouple	SHINI	5x93LxM8x8M	----	1	----	(1)							
16	S3	Communication interface board RS-485 (double D-sub-9pin connector)	YUYUN	----	----	1	YE90048501200								
17		Shell RS485(SAL-700G-A-1910)	BINCHEG	----	----	1	YR40048500000								
18	H1	Three - colour alarm light	SHINI	Red, Yel, Gre + buzzer	24V AC/DC	1	BL90000011520								
19	X1	Terminal	HONEYWELL	SK2.5	2.5mm <sup>2</sup>	6	YE60002503200								
20		Terminal	HONEYWELL	GK2.5PE	2.5mm <sup>2</sup> PE	4	YE60002503400								
21	X2	Terminal	HONEYWELL	GK16PE	16mm <sup>2</sup> PE	1	YE60001603500								
22		Terminal	HONEYWELL	SK2.5	2.5mm <sup>2</sup>	8	YE60002503200								
23	X3	Terminal	HONEYWELL	SK2.5	2.5mm <sup>2</sup>	2	YE60002503200								
24		Terminal fittings E/GK series(honeywell)	HONEYWELL	GK series	PCS	5	YE60000003900								
26	X10	Heavy-duty plug-in	HARTING	10P+PE(common socket)+Female	10P	1	YE68001001300	(1)							
<b>机型版本 Ver.D</b> Notes: (1)Means it's not the material inside the control box.															
				Drawer	Version	H	Title		Drawing NO.		Scale	Page	5		
				Designer	Approved by		SHD-1500U/2000U		SHD-1500U/2000U-CE-230V-H-5		Standard	CE	Totally	6	
				Proofread by	Date	Electrical Components List 1						Voltage	3Φ230V		
Mark	Before modification	Modified by	Modify date	Checked by	Date	20190829						Frequency	50HZ		
1	2	3	4	5	6	7	8								



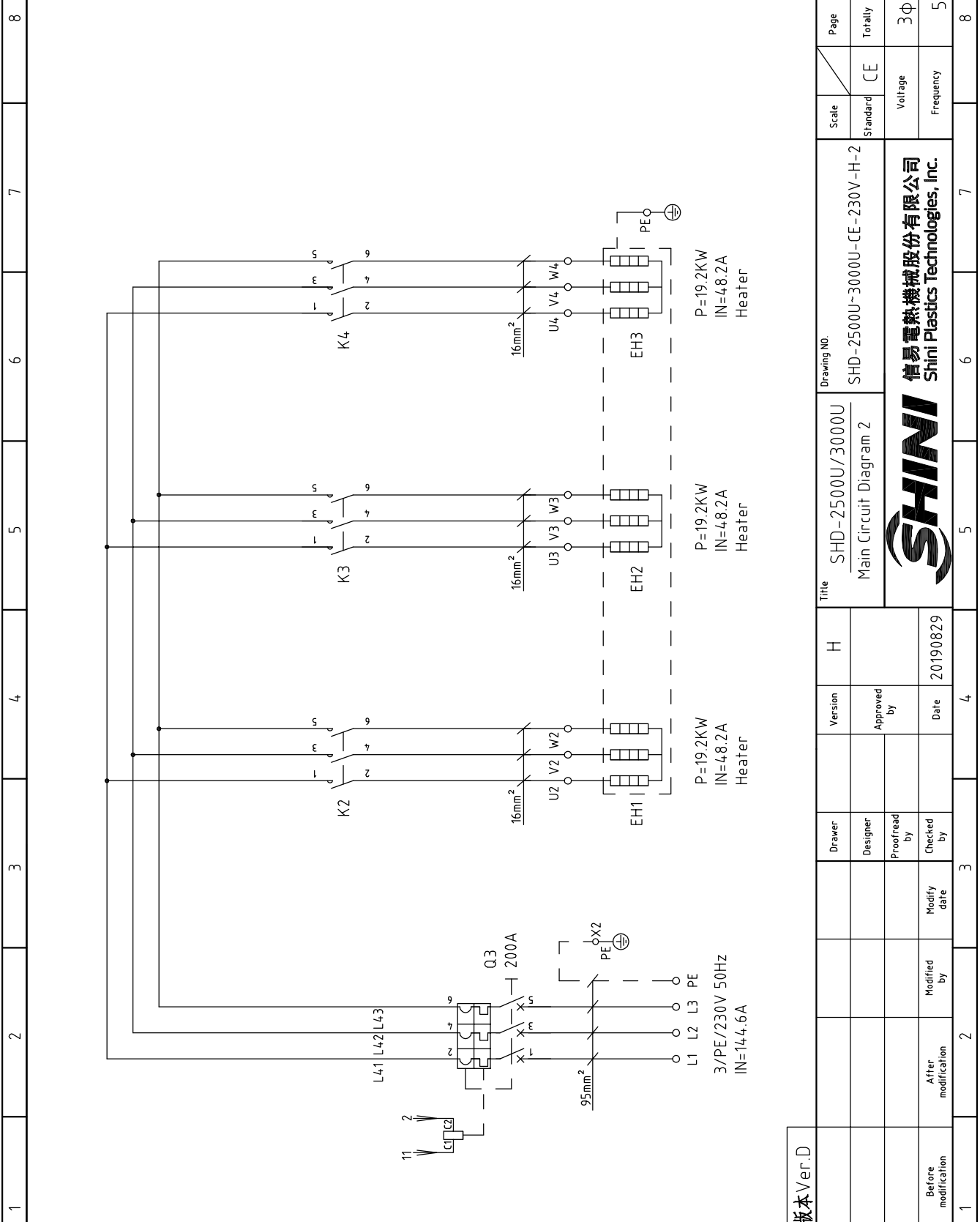
信易電熱機械股份有限公司  
Shini Plastics Technologies, Inc.

1	2		3	4	5	6	7	8	
NO.	Symbol	Name	Manufacturer	Type	Specification	Number	Material number	Remark	
27		Cable clamp PG21	JIGUO	PG21	----	1	YE67002100000	(1)	
28	FM	Fan	BESTFLOW	KD12025D	24VAC 50/60HZ	1	YM60121206400	(1)	
29	M1	Blower	----	3kW	230VAC 50Hz	1	----	(1)	
30	EH1 EH2	Heater	SHINI	16kW	230VAC	2	----	(1)	
A									
B									
C									
D									
机型版本 Ver.D      Notes: (1)Means it's not the material inside the control box.									
			Drawer	Version	Title	Drawing NO.		Scale	
			Designer	H	SHD-1500U/2000U	SHD-1500U/2000U-CE-230V-H-6		Page 6	
			Proofread by	Approved by	Electrical Components List 2		Standard	Totally 6 Pages	
			Checked by	Date	 信易電熱機械股份有限公司 Shini Plastics Technologies, Inc.		Voltage	3Φ230V	
Mark	Before modification	After modification	Modified by	Modify date	20190829			Frequency	50HZ
1	2	3	4	5	6	7	8		



机 型 版 本 Ver.D

Mark	Before modification	Modified by	Modify date	Checked by	Date	Approved by	Version	H	Title	Drawing NO.	Scale	Page 1
	After modification										Standard	Totally 6
SHINI 信易电热机械股份有限公司 Shini Plastics Technologies, Inc.										Standard	CE	
										Voltage	3Φ230V	
										Frequency	50Hz	
										Page 1		
										Totally 6		
										Pages		

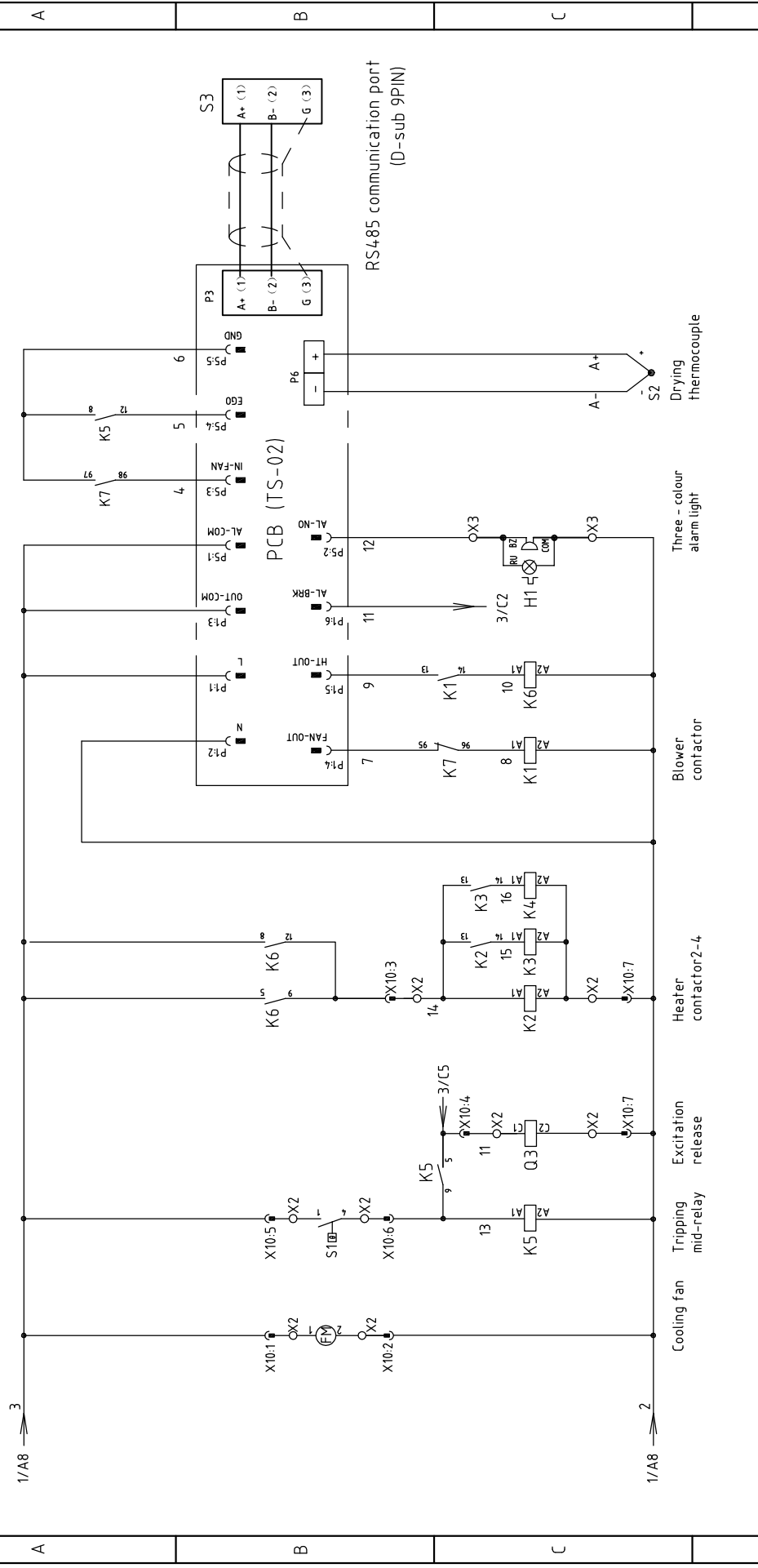


机 型 版 本 Ver.D

D	Title	SHD-2500U/3000U Main Circuit Diagram 2		Drawing NO. SHD-2500U~3000U-CE-230V-H-2	Scale	Page 2
		Standard	CE		Totally 6	Pages
Mark	Before modification	Modified by	Modify date	Checked by	Date	20190829
	After modification	Modified by	Modify date	Checked by	Date	20190829
Voltage		Frequency		3φ230V 50Hz		
Version		Approved by		H		
Version		Approved by		4		
Version		Approved by		3		
Version		Approved by		2		
Version		Approved by		1		



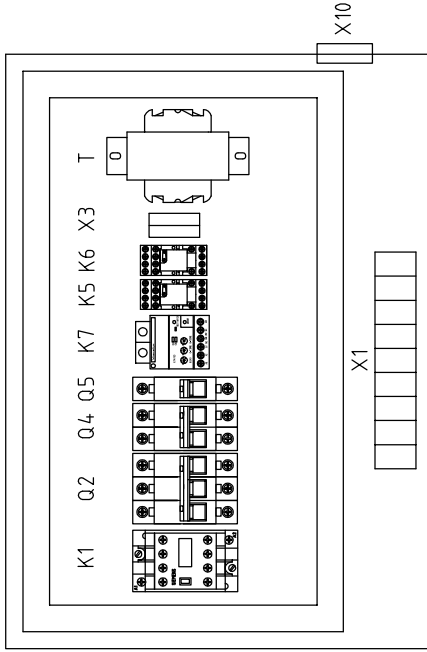




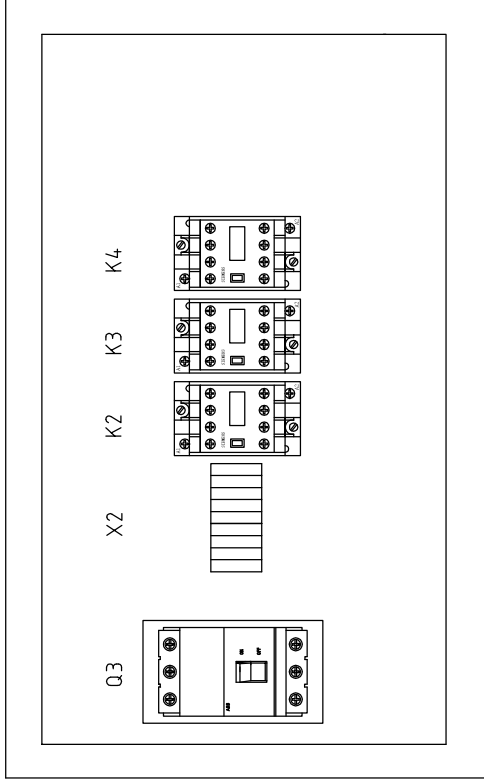
机型版本 Ver.D		Title		Version		H		Scale		Page	
		SHD-2500U/3000U						SHD-2500U~3000U-CE-230V-H-3		3	
		Control Circuit Diagram		Approved by				Standard		Totally	
				Date		20190928		CE		6	
		Designer		Checked by		Modify date		Voltage		Pages	
		Proofread by		Date				3φ230V		6	
Mark		After modification		Modified by				Frequency		50HZ	
1		2		3		4		5		6	
7		8		9		10		11		12	



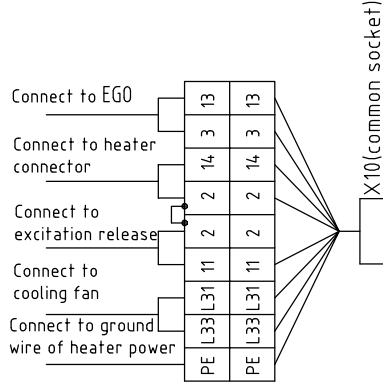
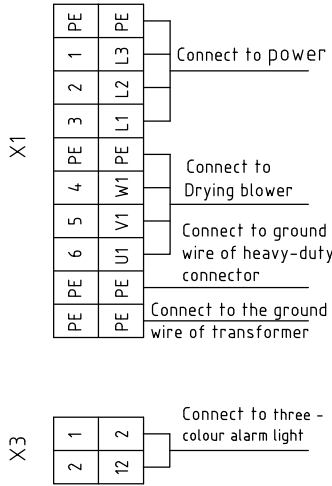
Drying blower control box



Heater control box



X10(heavy-duty connector 10P)



Technical Requirement: 1. The power wire of main heater control box is directly connected to the circuit breaker without passing the terminal board.  
2. The heater wire is directly connected to the heater contractor without passing the terminal board.


机型版本 Ver.D

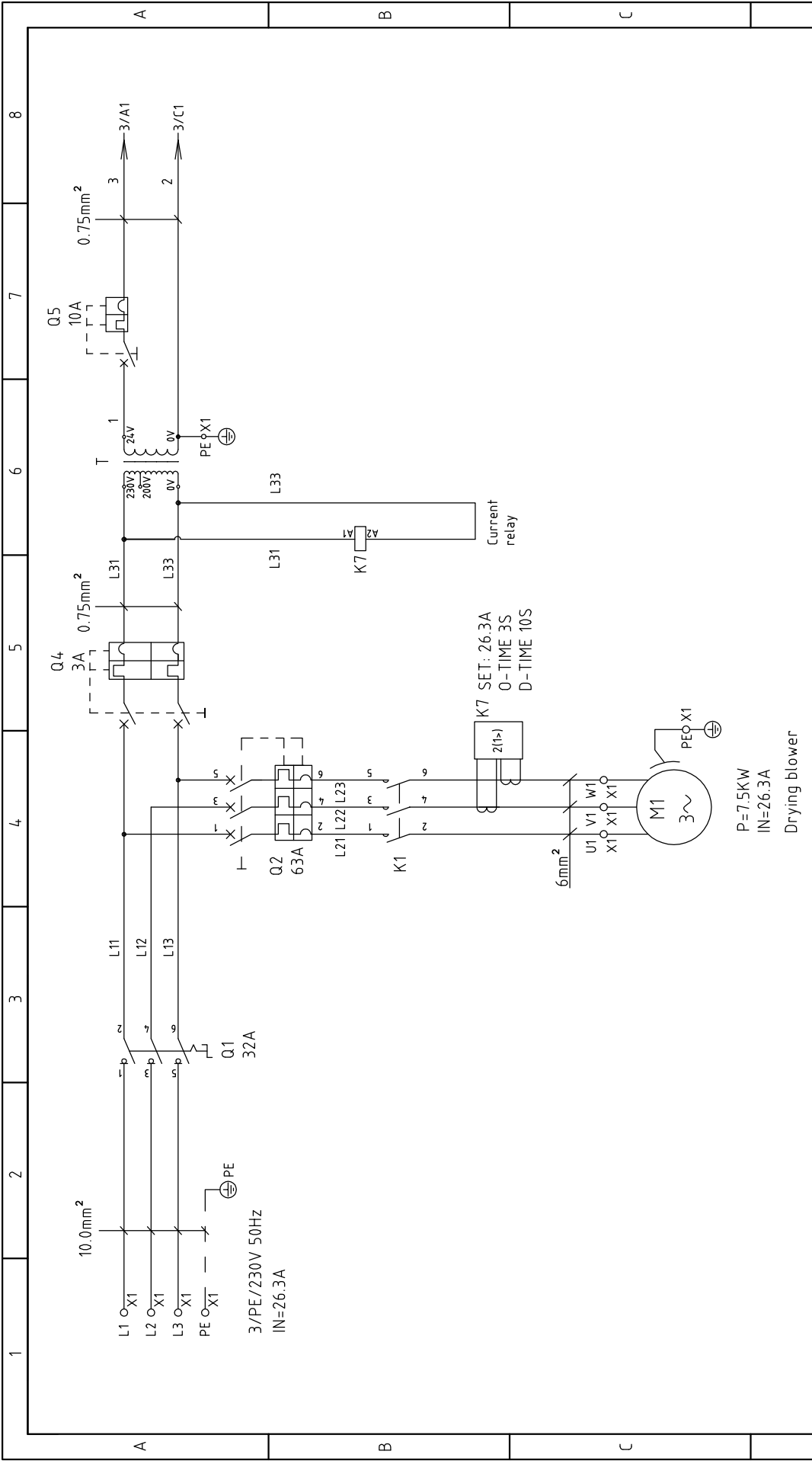
Drawer	Version	H	Title		Scale	Page	4
Designer	Approved by		SHD-2500U/3000U		Standard	Totally	6
Proofread by	Date	20190829	Electrical Components Layout		CE	Pages	
Checked by	Modify date		SHD-2500U~3000U-CE-230V-H-4		Voltage	3Φ	230V
Modified by			SHINI		Frequency	50	Hz
After modification			信易电热机械股份有限公司 Shini Plastics Technologies, Inc.				
Before modification							
Mark							

1	2		3	4	5	6	7	8
NO.	Symbol	Name	Manufacturer	Type	Specification	Number	Material number	Remark
1	Q1	Main power switch	EATON	P1-25/EA/SVB	25A	1	YE10125250000	
2	Q2	Circuit breaker	TECO	BM-63C/3040S 3P	40A 230V	1	YE40304003000	
3	Q3	Break Interlock	ABB	A2B250TMF200/20003P	200A	1	YE41252200000	A
4		Excitation release	ABB	SOR-C	24-30VAC/DC	1	YE40243000900	
5	Q4	Circuit breaker	TECO	BM-63C/2003S 2P	3A	1	YE40200203000	
6	Q5	Circuit breaker	TECO	BM-63C/1010S 1P	10A	1	YE40101000100	
7	K1	AC Contactors	SIEMENS	3RT6027-1AC20	32A 24V AC	1	YE00602702600	
8	K2 K3 K4	AC Contactors	SIEMENS	3RT5044-1AC20	65A 24V AC	3	YE00504402600	
9		Auxiliary contact terminal	SIEMENS	3RH5921-1CA10	1N0	2	YE00592110000	
10	K5 K6	Middle relay	HONEYWELL	GR-2C-AC24V	----	2	YE03022400300	
11	T	Transformer	JIUXIN	IN=230V/200V OUT=24V	350VA	1	YE70023007000	B
12	PCB	PCB	YUYUN	Ts-02(24VAC/DC)(components)	24V 50/60Hz	1	YE80022401200	
13	K7	Current relay	SCHNEIDER	LT4760M7S	5-60A 220V AC	1	YE04476000100	
14	S1	Overheat protector	EGO	115-320°C	----	1	----	(1)
15	S2	Thermocouple	SHINI	5x93LxM8x8M	----	1	----	(1)
16	S3	Communication interface board RS-485 (double D-sub-5pin connector)	YUYUN	----	----	1	YE90048501200	
17		Shell RS485(SAL-700G-A-1910)	BINCHEG	----	----	1	YR40048500000	
18	H1	Three - colour alarm light	SHINI	Red. Yel. Gre + buzzer	24VAC	1	BL90000011520	
19	X1	Terminal board	HONEYWELL	GK6	6.0mm <sup>2</sup>	6	YE60000603200	C
20		Terminal board	HONEYWELL	GK6PE	6.0mm <sup>2</sup> PE	2	YE60000603500	
21		Terminal board	HONEYWELL	GK2.5PE	2.5mm <sup>2</sup> PE	2	YE60002503400	
22	X2	Terminal board	HONEYWELL	GK35PE	35mm <sup>2</sup> PE	1	YE60003503500	
23		Terminal board	HONEYWELL	SK2.5	2.5mm <sup>2</sup>	8	YE60002503200	
24	X3	Terminal board	HONEYWELL	SK2.5	2.5mm <sup>2</sup>	2	YE60002503200	
25		Terminal fittings E/GK series(honeywell)	HONEYWELL	GK series	PCS	5	YE60000003900	
<b>机型版本 Ver.D</b> Note: (1) means not part of control box.								
				Version	H	Drawing NO.		Page 5
				Designer		SHD-2500U~3000U-CE-230V-H-5		Totally 6 Pages
				Proofread by		Standard		CE
				Checked by		Voltage		3φ230V
				Modified by		Frequency		50Hz
				Modify date	20190829			
Mark	Before modification	After modification		Date	20190829			
1	2	3	4	5	6	7	8	



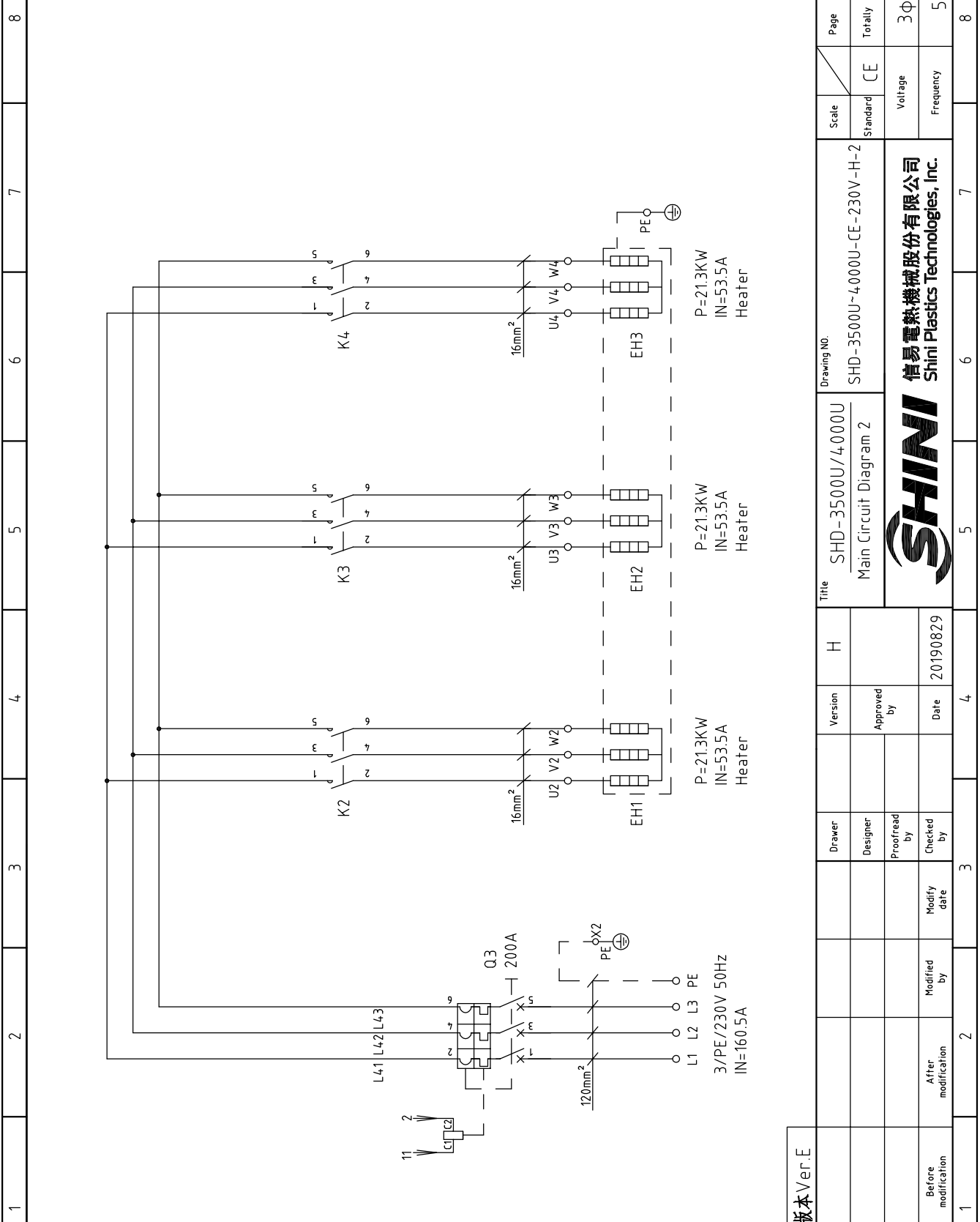
信易电热机械股份有限公司  
Shini Plastics Technologies, Inc.

1	2		3	4	5	6	7	8
NO.	Symbol	Name	Manufacturer	Type	Specification	Number	Material number	Remark
26	X10	Heavy-duty plug-in	HARTING	10P+PE(Common socket)+Female)	10P	1	YE68001001300	(1)
27		Cable clamp PG21	JIGUO	PG21	----	1	YE67002100000	(1)
28	FM	Fan	BESTFLOW	KD12025D	24V 50/60HZ	1	YM60121206400	(1)
29	M1	Blower	----	5.5kW	230VAC 50Hz	1	----	(1)
30	EH1EH2EH3	Heater	SHINI	19.2kW	230VAC	3	----	(1)
A								
B								
C								
D								
机版本 Ver.D Note: (1) means not part of control box.								
Title			Version		Drawing NO.		Scale	
SHD-2500U/3000U			H		SHD-2500U~3000U-CE-230V-H-6		CE	
Electrical Components List 2			Approved by				Page 6	
			Date				Totally 6 Pages	
			20190829				Voltage	
							Frequency	
							3Φ230V	
							50HZ	
 信易電熱機械股份有限公司 Shini Plastics Technologies, Inc.								
1	2		3	4	5	6	7	8



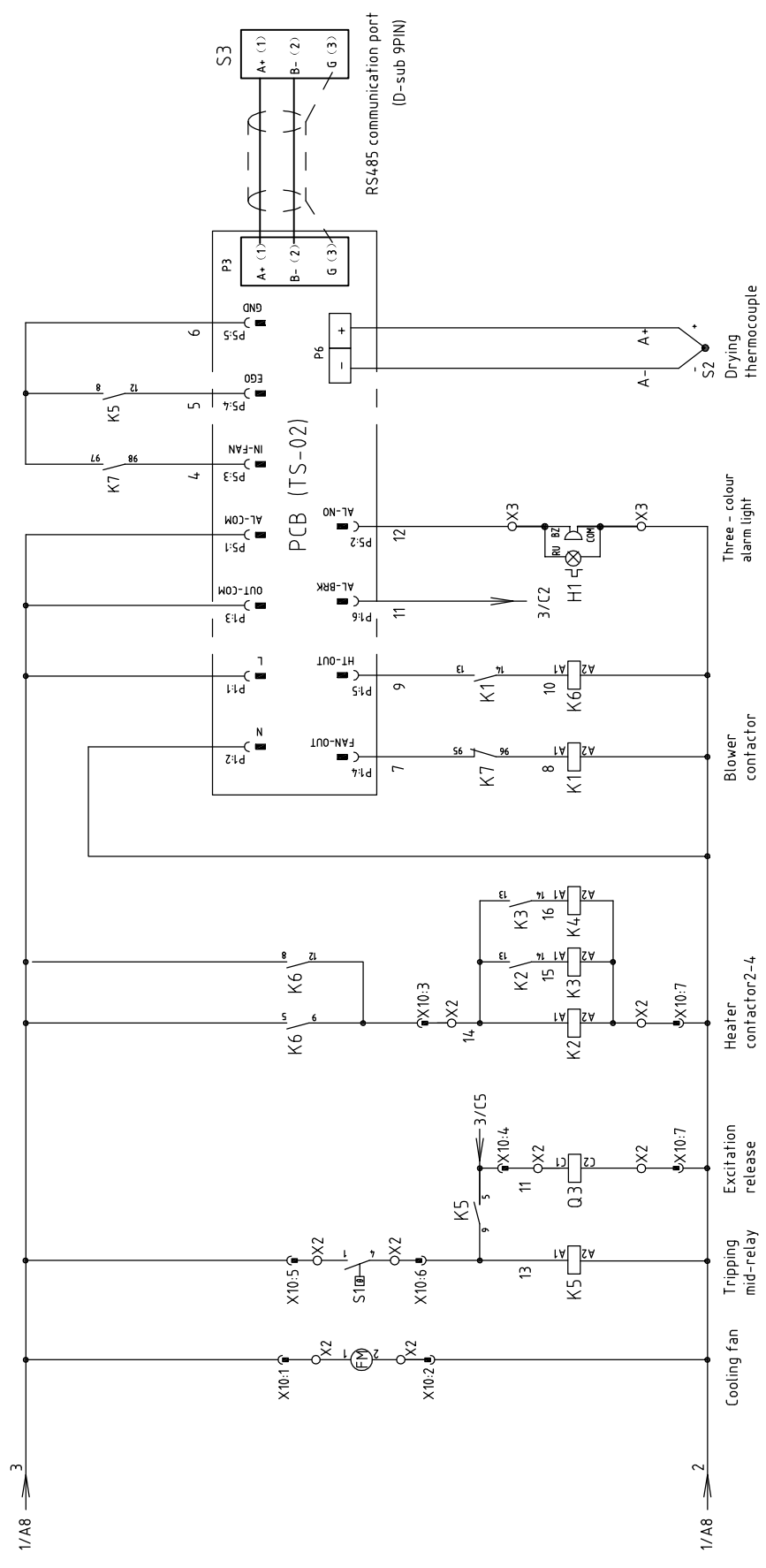
机型版本 Ver.E

Drawer	Version	H	Title		Drawing NO.		Scale	Page 1
Designer	Approved by		SHD-3500U/4000U Main Circuit Diagram 1		SHD-3500U~4000U-CE-230V-H-1		Standard	Totally 6 Pages
Proofread by	Date		SHINI		信易电热机械股份有限公司 Shini Plastics Technologies, Inc.		Voltage	3Φ230V
Checked by	Modify date						Frequency	50Hz
Mark	Before modification	2	3	4	5	6	7	8



机型版本 Ver.E

D	Title	SHD-3500U/4000U		Scale	Page	2
		Main Circuit Diagram 2			Standard	CE
Drawing NO.		SHD-3500U~4000U-CE-230V-H-2		Voltage		3φ230V
SHINI		信易電熱機械股份有限公司 Shini Plastics Technologies, Inc.		Frequency		50HZ
Mark	Before modification	Modified by	Modify date	Checked by	Date	20190829
	After modification	Modified by	Modify date	Approved by	Date	20190829
		Designer		Version	H	
		Drawer				



Mark	Before modification	Modified by	Modify date	Checked by	Date	Approved by	Version	H	Title	SHD-3500U/4000U Control Circuit Diagram	Scale	CE	Page	3	Totally	6	Pages
					20190829												

Drawer		Designer		Proofread by		Checked by		Date	20190829	Version		H	Title	SHD-3500U/4000U Control Circuit Diagram	Scale	CE	Page	3	Totally	6	Pages

Mark	After modification	Modified by	Modify date	Checked by	Date	Approved by	Version	H	Title	SHD-3500U~4000U-CE-230V-H-3	Scale	CE	Page	3	Totally	6	Pages

**SHINI**  
信易電熱機械股份有限公司  
Shini Plastics Technologies, Inc.

Drawing NO. SHD-3500U~4000U-CE-230V-H-3

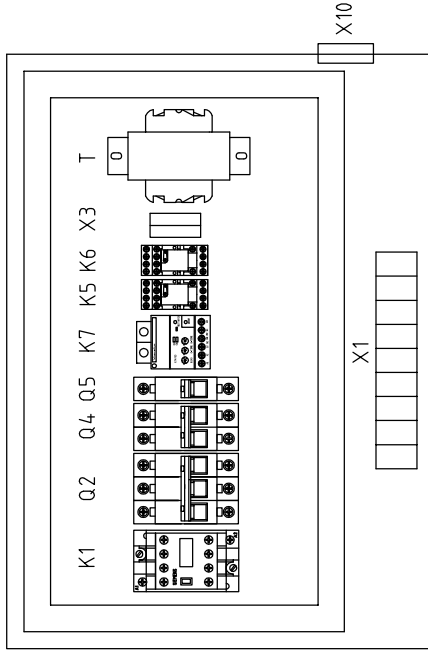
初型版本 Ver.E

1/A8 2 3 4 5 6 7 8

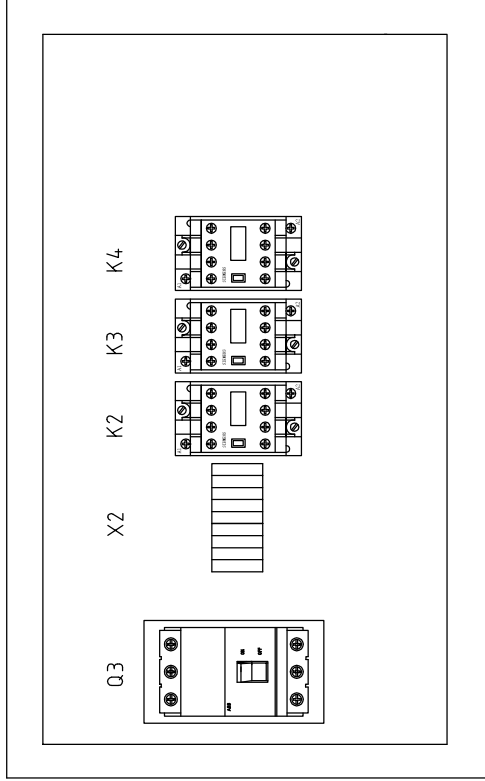
1/A8 2 3 4 5 6 7 8

1 2 3 4 5 6 7 8

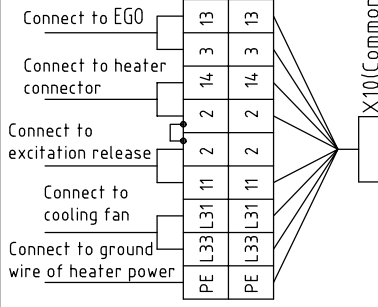
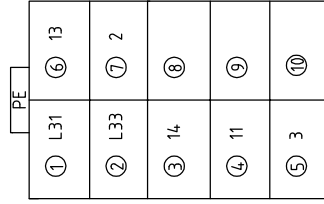
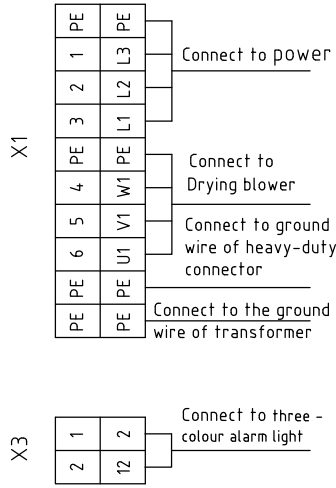
Drying blower control box



Heater control box



X10(Heavy-duty connector 10P)



Technical Requirement: 1. The power wire of main heater control box is directly connected to the circuit breaker without passing the terminal board.  
2. The heater wire is directly connected to the heater contactor without passing the terminal board.

机型版本 Ver.E


D	Title	SHD-3500U/4000U		Scale	Page	4
		Electrical Components Layout			Standard	Totally
Mark	Before modification	After modification	Modified by	Modify date	Checked by	Date
SHINI		信易电热机械股份有限公司		Frequency	50Hz	
SHINI		Shini Plastics Technologies, Inc.		8		

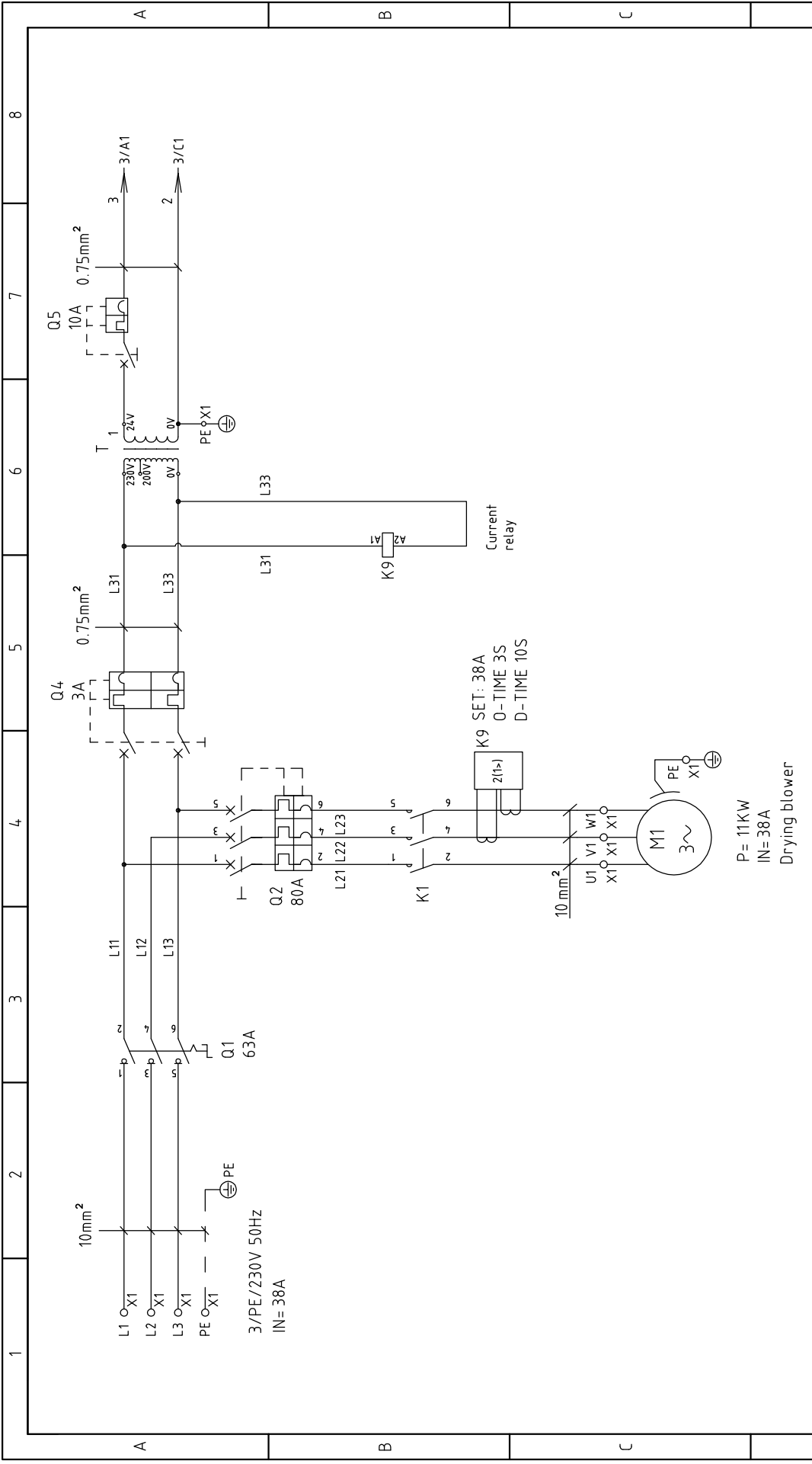


1	2		3	4	5	6	7	8
NO.	Symbol	Name	Manufacturer	Type	Specification	Number	Material number	Remark
1	Q1	Main power switch	EATON	P1-32/EA/SVB	32A	1	YE10323200000	
2	Q2	Circuit breaker	TECO	BM-63C/3063S 3P	63A 230V	1	YE40306303000	
3	Q3	Break Interlock	ABB	A2B250TMF200/20003P	200A	1	YE41252200000	A
4		Excitation release	ABB	SOR-C	24-30VAC/DC	1	YE40243000900	
5	Q4	Circuit breaker	TECO	BM-63C/2003S 2P	3A	1	YE40200203000	
6	Q5	Circuit breaker	TECO	BM-63C/1010S 1P	10A	1	YE40101000100	
7	K1	AC Contactors	SIEMENS	3RT6028-1AC20	38A 24V AC	1	YE00602802600	
8	K2 K3 K4	AC Contactors	SIEMENS	3RT5045-1AC20	80A 24V AC	3	YE00504502600	
9		Auxiliary contactor	SIEMENS	3RH5921-1CA10	1N0	2	YE00592110000	
10	K5 K6	Middle relay	HONEYWELL	GR-2C-AC24V	----	2	YE03022400300	
11	T	Transformer	JIUXIN	IN=230V/200V OUT=24V	350VA	1	YE70023007000	B
12	PCB	PCB	YUYUN	TS-02(24VAC/DC)(components)	24V 50/60Hz	1	YE80022401200	
13	K7	Current relay	SCHNEIDER	LT4760M7S	5-60A-220V AC	1	YE04476000100	
14	S1	Overheat protector	EGO	115-320°C	----	1	----	(1)
15	S2	Thermocouple	SHINI	5x93LxM8x8M	----	1	----	(1)
16	S3	Communication interface board RS-485 (double D-sub-5pin connector)	YUYUN	----	----	1	YE90048501200	
17		Shell RS485(SAL-700G-A-1910)	BINCHEG	----	----	1	YR40048500000	
18	H1	Three - colour alarm light	SHINI	Red. Yel. Gre + buzzer	24VAC/DC	1	BL90000011520	
19	X1	Terminal board	HONEYWELL	GK10	10.0mm <sup>2</sup>	6	YE60001003200	C
20		Terminal board	HONEYWELL	GK10.0PE	10.0mm <sup>2</sup> PE	2	YE60001003500	
21		Terminal board	HONEYWELL	GK2.5PE	2.5mm <sup>2</sup> PE	2	YE60002503400	
22	X2	Terminal board	HONEYWELL	TB 70 PE	70mm <sup>2</sup> PE	1	YE61070000000	
23		Terminal board	HONEYWELL	SK2.5	2.5mm <sup>2</sup>	8	YE60002503200	
24	X3	Terminal board	HONEYWELL	SK2.5	2.5mm <sup>2</sup>	2	YE60002503200	
25		Terminal fittings E/GK series	HONEYWELL	GK series	PCS	5	YE60000003900	
机型版本 Ver.E								
Notes: (1)Means it's not the material inside the control box.								
Title				SHD-3500U/4000U		Drawing NO.		Page
Electrical Components List 1				SHD-3500U~4000U-CE-230V-H-5		Scale		5
						Standard		CE
						Voltage		3Φ230V
						Frequency		50HZ
Mark				Before modification		Modified by		Modify date
1				2		3		4
5				6		7		8



信易電熱機械股份有限公司  
Shini Plastics Technologies, Inc.

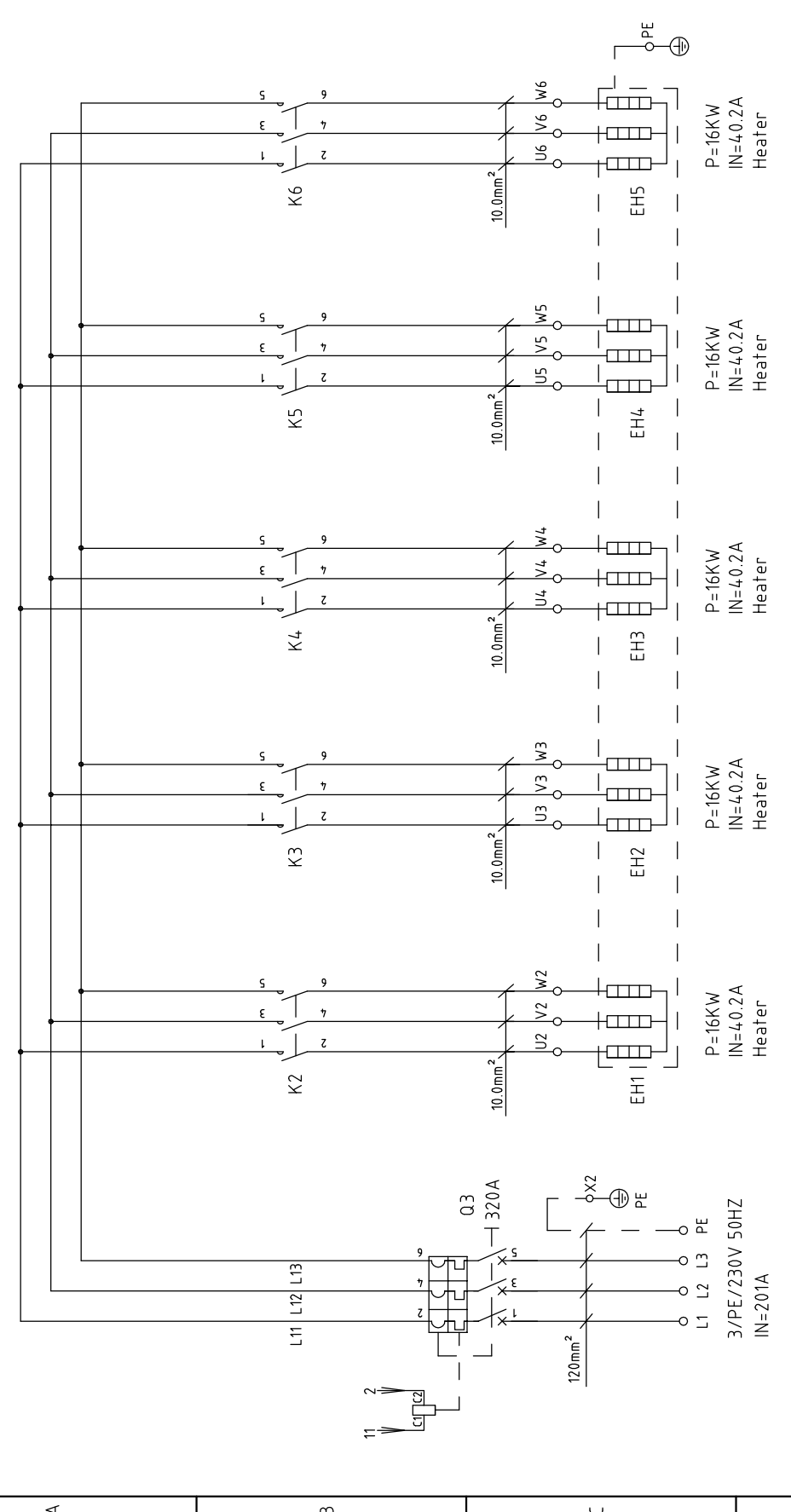
1	2		3	4	5	6	7	8
NO.	Symbol	Name	Manufacturer	Type	Specification	Number	Material number	Remark
26	X10	Heavy-duty plug-in	HARTING	10P+PE(common socket)+Female)	10P	1	YE68001001300	(1)
27		Cable clamp PG21	JIGUO	PG21	----	1	YE67002100000	(1)
28	FM	Fan	BESTFLOW	KD12025D	24V 50/60HZ	1	YM60121206400	(1)
29	M1	Blower	----	7.5kW	230VAC 50HZ	1	----	(1)
30	EH1 EH2 EH3	Heater	SHINI	21.3kW	230VAC	3	----	(1)
A								
B								
C								
D								
机版本 Ver.E Notes: (1)Means it's not the material inside the control box.								
			Drawer	Version	Title	Drawing NO.		Page
			Designer	H	SHD-3500U/4000U	SHD-3500U~4000U-CE-230V-H-6		6
			Proofread by	Approved by	Electrical Components List 2			Totally
			Checked by	Date	 信易電熱機械股份有限公司 Shini Plastics Technologies, Inc.			6
Mark	Before modification	After modification	Modified by	Modify date				Standard
				20190829				CE
								Voltage
								Frequency
								3Φ230V
								50HZ
								8



机型版本 Ver.D

D	Drawer	H	Version	Title		Scale	Page 1
	Designer			SHD-5000U			
	Proofread by		Approved by	SHD-5000U-CE-230V-H-1		Voltage	3Φ230V
Mark	Before modification	Modify date	Date	SHINI		Frequency	50HZ
	After modification		20190829	信易电热机械股份有限公司 Shini Plastics Technologies, Inc.			
1	2	3	4	5	6	7	8

1 2 3 4 5 6 7 8



Mark	Before modification	Modified by	Modify date	Checked by	Date	Approved by	Version	H	Title	SHD-5000U Main Circuit Diagram 2		Scale	Standard	CE	Page	2	Totally	6	Pages		
					20190829				SHD-5000U	SHD-5000U-CE-230V-H-2		Standard	CE						3	230V	50HZ

机版本 Ver.D



Drawing NO.

SHD-5000U-CE-230V-H-2

P=16KW  
IN=40.2A  
Heater

P=16KW  
IN=40.2A  
Heater

P=16KW  
IN=40.2A  
Heater

P=16KW  
IN=40.2A  
Heater

P=16KW  
IN=40.2A  
Heater

A B C D

8

7

6

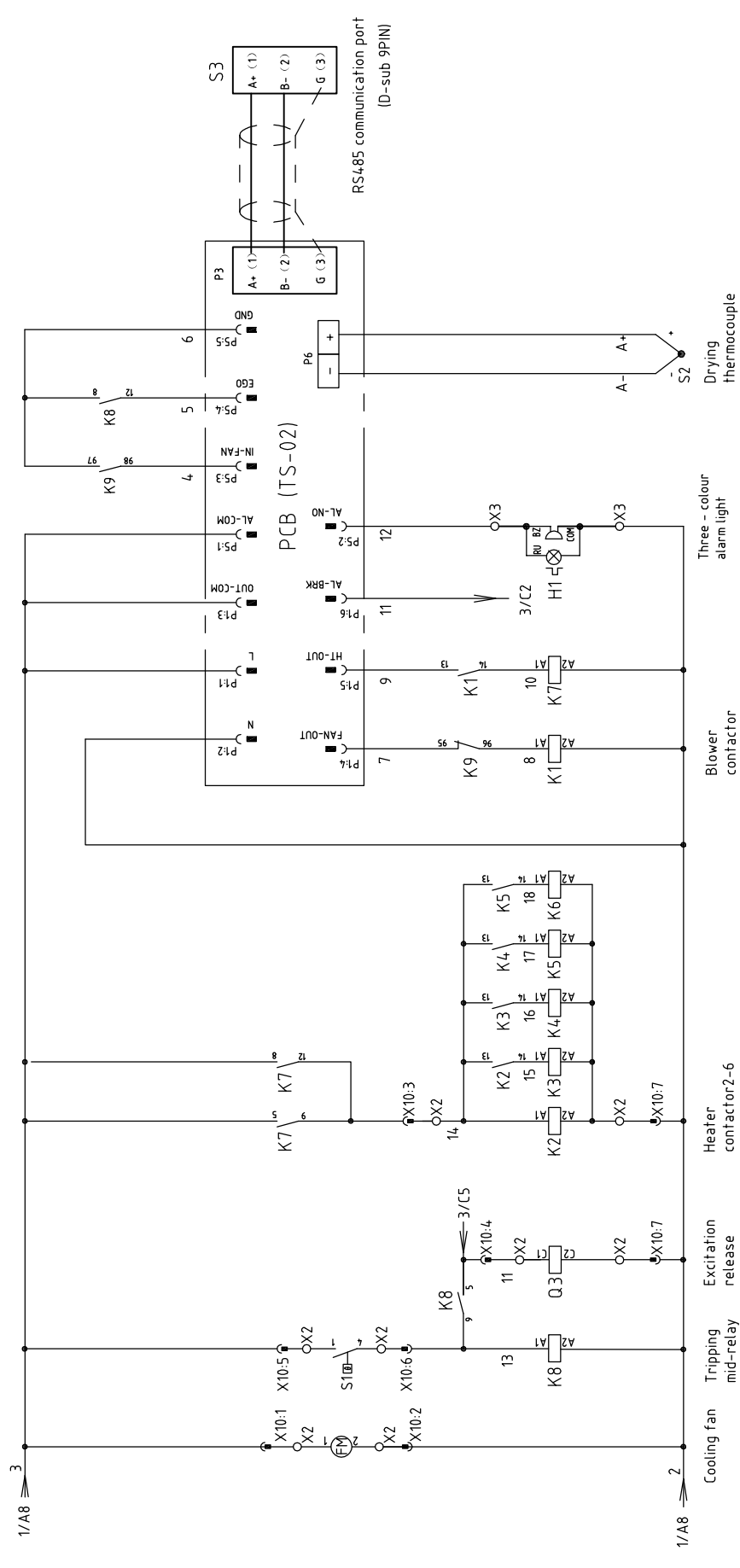
5

4


3

2

1



机型版本	Ver.D
Mark	Before modification
Mark	After modification
Modified by	
Modify date	
Checked by	
Date	20190829
Proofread by	
Designer	
Drawer	
Version	H
Approved by	

Title		SHD-5000U	
Control Circuit Diagram		SHD-5000U-CE-230V-H-3	
			
信易电热机械股份有限公司 Shini Plastics Technologies, Inc.			

Scale	Standard	CE	Page	3
Voltage	3φ230V		Totally	6
Frequency	50Hz		Pages	

Drawing NO.

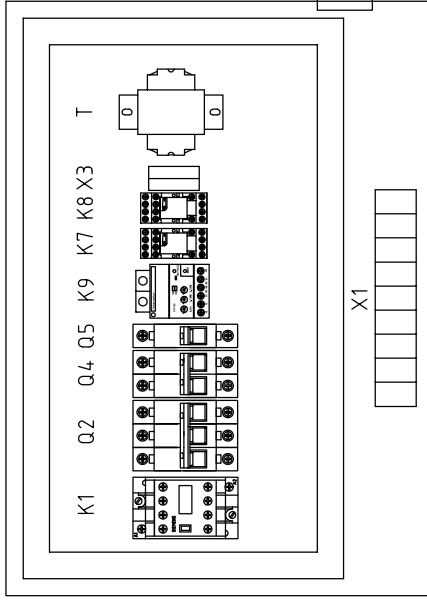
SHD-5000U-CE-230V-H-3



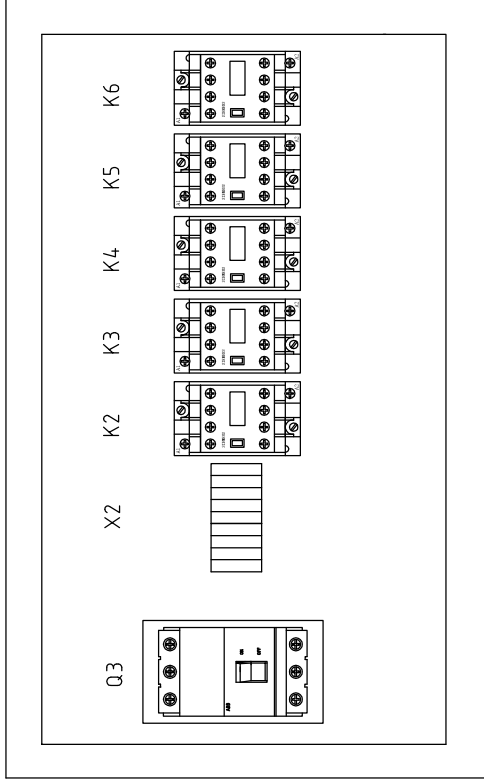
信易电热机械股份有限公司  
Shini Plastics Technologies, Inc.

1	2	3	4	5	6	7	8
---	---	---	---	---	---	---	---

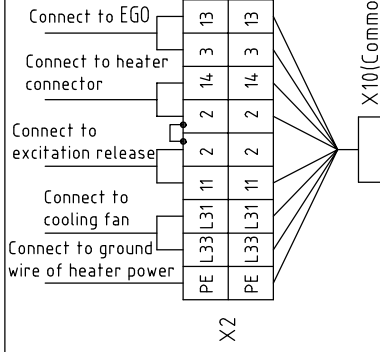
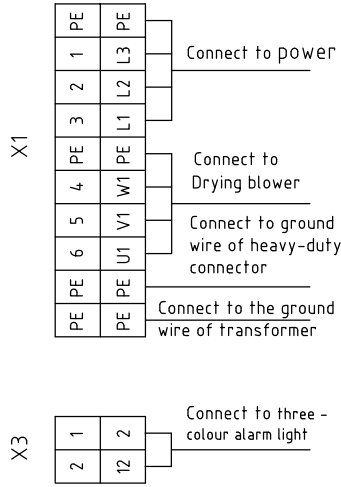
Drying blower control box



Heater control box



X10(Heavy-duty connector 10P)



Technical Requirement: 1. The power wire of main heater control box is directly connected to the circuit breaker without passing the terminal board.  
2. The heater wire is directly connected to the heater contactor without passing the terminal board.

机型版本 Ver.D

Mark	Before modification	After modification	Modified by	Modify date	Checked by	Proofread by	Designer	Drawer	Version	H	Title	SHD-5000U Electrical Components Layout	Drawing NO.	SHD-5000U-CE-230V-H-4	Scale	Standard	CE	Page	4	Totally	6	Pages	
				20190928																		3Φ230V	50Hz



信易电热机械股份有限公司  
Shini Plastics Technologies, Inc.

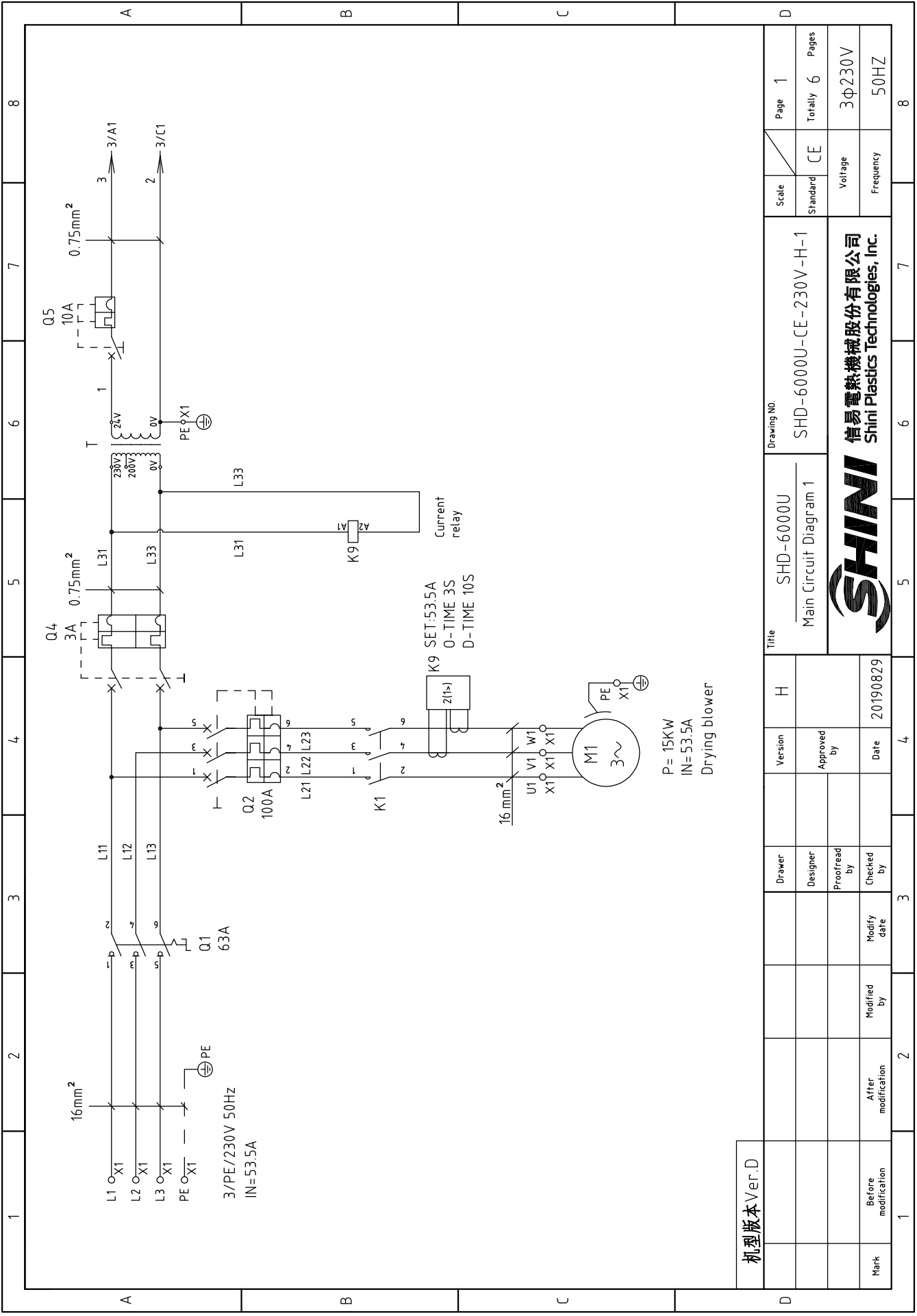
1		2		3		4		5		6		7		8	
NO.	Symbol	Name	Manufacturer	Type	Specification	Number	Material number	Remark							
1	Q1	Main power switch	EATON	P3-63/EA/SVB	63A	1	YE10636300000								
2	Q2	Circuit breaker	TECO	BM-100D/3080S 3P	80A	1	YE40308003000								
3	Q3	Break Interlock	ABB	A3N400TMF320/32003PFF	320A	1	YE41503400000								
4		Excitation release	ABB	SOR-C	24VAC	1	YE40243000900								
5	Q4	Circuit breaker	TECO	BM-63C/2003S 2P	3A	1	YE40200203000								
6	Q5	Circuit breaker	TECO	BM-63C/1010S 1P	10A	1	YE40101000100								
7	K1	AC Contactors	SIEMENS	3RT5036-1AC20	50A 24V AC	1	YE00503602600								
8		Auxiliary contactor	SIEMENS	3RH5921-1CA10	1NO	1	YE00592110000								
9	K2 K3 K4 K5 K6	AC Contactors	SIEMENS	3RT5044-1AC20	65A 24V AC	5	YE00504402600								
10		Auxiliary contact	SIEMENS	3RH5921-1CA10	1NO	4	YE00592110000								
11	K7 K8	Middle relay	HONEYWELL	GR-2C-AC24V	24VAC	2	YE03022400300								
12	K9	Current relay	SCHNEIDER	LT4760M7S	5-60A 220V AC	1	YE04476000100								
13	T	Transformer	JIUXIN	IN=230V/200V OUT=24V	350VA	1	YE70023007000								
14	PCB	PCB	YUYUN	TS-02(24VAC/DC)(components)	24V 50/60Hz	1	YE80022401200								
15	S1	Overheat protector	EGO	115-320°C	250V 16A	1	----	(1)							
16	S2	Thermocouple	SHINI	5×93L×M8×8M	----	1	----	(1)							
17	S3	Communication interface board RS-485 (double D-sub-9pin connector)	YUYUN	----	----	1	YE90048501200								
18		Shell RS485(SAL-700G-A-19)0	BINCHENG	----	----	1	YR40048500000								
19	H1	Three - colour alarm light	SHINI	Red, Yel, Gre + buzzer	24VAC/DC	1	BL90000011520								
20	X1	Terminal board	HONEYWELL	GK10	10.0mm <sup>2</sup>	6	YE60001003200								
21		Terminal board	HONEYWELL	GK10PE	10.0mm <sup>2</sup> PE	2	YE60001003500								
22		Terminal board	HONEYWELL	GK2.5PE	2.5mm <sup>2</sup> PE	2	YE60002503400								
23	X2	Terminal board	HONEYWELL	TB 70 PE	70mm <sup>2</sup> PE	1	YE61070000000								
24		Terminal board	HONEYWELL	SK2.5	2.5mm <sup>2</sup>	8	YE60002503200								
25	X3	Terminal board	HONEYWELL	SK2.5	2.5mm <sup>2</sup>	2	YE60002503200								
<p>机型版本 Ver.D Notes: (1)Means it's not the material inside the control box.</p>															
Mark		Before modification	Modified by	Modify date	Checked by	Date	 <b>信易电热机械股份有限公司</b> <b>Shini Plastics Technologies, Inc.</b>		Drawing NO. SHD-5000U-CE-230V-H-5		Scale	CE	Page	5	
1		2		3		4		5		6		7		8	
D		Electrical Components List 1		SHD-5000U		SHD-5000U-CE-230V-H-5		Voltage		Frequency		3Φ230V		50HZ	

1	2		3	4	5	6	7	8
NO.	Symbol	Name	Manufacturer	Type	Specification	Number	Material number	Remark
26		Terminal fittings E/Gk series	HONEYWELL	Gk series	PCS	5	YE60000003900	
27	X10	Heavy-duty plug-in	HARTING	10P-PEI(common socket)+Female Han (haofing)	10P	1	YE68001001300	(1)
28		Cable clamp PG21	JIGUO	PG21	----	1	YE67002100000	(1)
29	FM	Fan	BESTFLOW	KD12025D	24V 50/60HZ	1	YM60121206400	(1)
30	M1	Blower	----	11.0kW	230VAC 50HZ	1	----	(1)
31	EH1-EH5	Heater	SHINI	16.0kW	230VAC	5	----	(1)
A								
B								
C								
D								
机版本 Ver.D Notes: (1)Means it's not the material inside the control box.								
			Drawer	Version	Title	Drawing NO.		Scale
			Designer	H	SHD-5000U	SHD-5000U-CE-230V-H-6		Standard
			Proofread by	Approved by	Electrical Components List 2		CE	Page 6
			Checked by	Date			Voltage	Totally 6 Pages
Mark	Before modification	After modification	Modified by	Modify date	20190829		Frequency	3Φ230V
1	2	3	4	5	6	7	8	50HZ



信易電熱機械股份有限公司  
Shini Plastics Technologies, Inc.



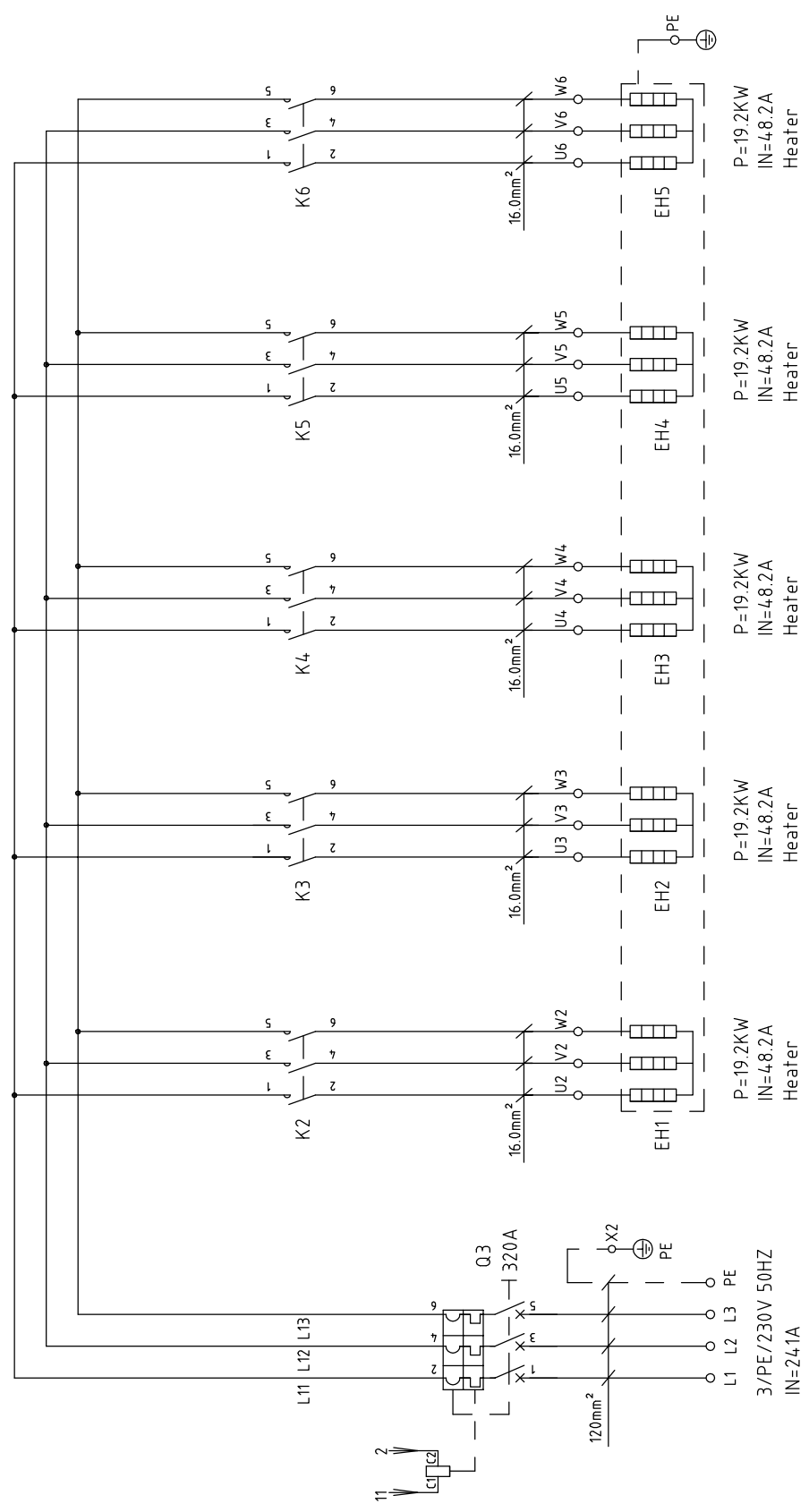


机 型 版 本 Ver.D

Mark	Before modification	Modified by	Modify date	Date	Approved by	Version	H	Title	SHD-6000U Main Circuit Diagram 1	Drawing NO. SHD-6000U-CE-230V-H-1	Scale	Page 1
	After modification										Standard	Totally 6
											Voltage	3φ230V
											Frequency	50HZ



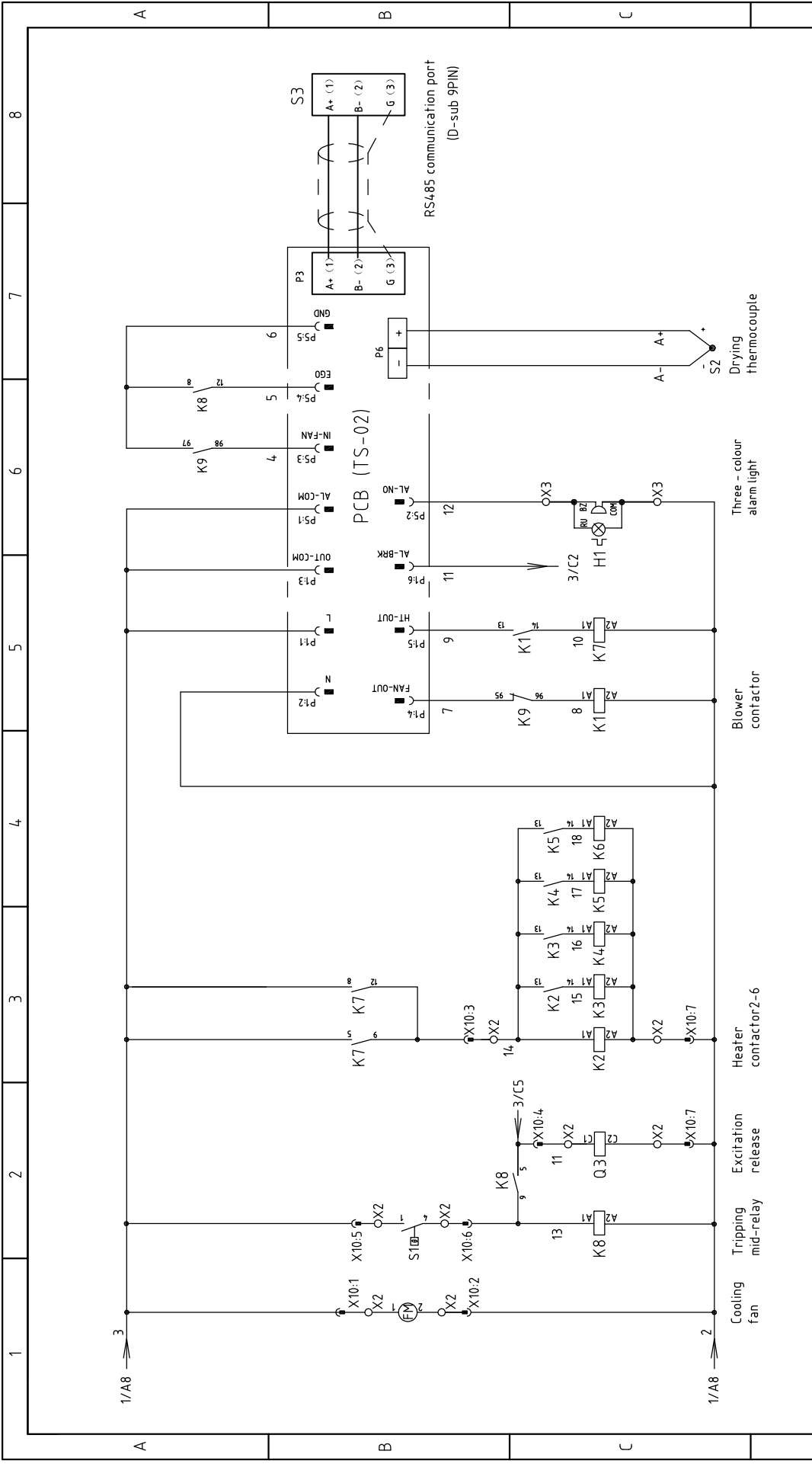
1 2 3 4 5 6 7 8



初型版本 Ver.D

D	Title		Drawing NO.		Page		
	SHD-6000U Main Circuit Diagram 2		SHD-6000U-CE-230V-H-2		2		
D	Version		Standard		Pages		
	H		CE		6		
D	Approved by		Voltage		Frequency		
			3φ230V		50HZ		
D	Date		Heater		Heater		
	20190829		Heater		Heater		
D	Modify date		Heater		Heater		
			Heater		Heater		
D	After modification		Heater		Heater		
			Heater		Heater		
D	Before modification		Heater		Heater		
			Heater		Heater		
Mark		1		2		3	
Mark		4		5		6	
Mark		7		8		8	





Mark	Before modification	After modification	Modified by	Modify date	Checked by	Date
						20190125

Version	H	Approved by	
Drawer		Proofread by	
Designer		Checked by	

Title	SHD-6000U Control Circuit Diagram
Drawing NO.	SHD-6000U-CE-230V-H-3

Scale	CE	Page	3
Standard		Totally	6
		Pages	
Voltage	3Φ230V		
Frequency	50Hz		



机型版本 Ver.D

1 2 3 4 5 6 7 8

A B C D





1	2		3	4	5	6	7	8
NO.	Symbol	Name	Manufacturer	Type	Specification	Number	Material number	Remark
26		Terminal fittings E/GK series	HONEYWELL	GK series	PCS	5	YE60000003900	
27	X10	Heavy-duty plug-in	HARTING	10P+PEI(Common socket)+Female Han (haoting)	10P	1	YE68001001300	(1)
28		Cable clamp PG21	JIGUO	PG21	----	1	YE67002100000	(1)
29	FM	Fan	BESTFLOW	KD12025D	24V 50/60Hz	1	YM60121206400	(1)
30	M1	Blower	----	15.0kW	230VAC 50HZ	1	----	(1)
31	EH1-EH5	Heater	SHINI	19.2kW	230VAC	5	----	(1)
A								
B								
C								
D								
机版本 Ver.D Notes: (1)Means it's not the material inside the control box.								
			Drawer	Version	Title	Drawing NO.		Scale
			Designer	H	SHD-6000U	SHD-6000U-CE-230V-H-6		Standard
			Proofread by	Approved by	Electrical Components List 2		CE	Page 6
			Checked by	Date			Voltage	Totally 6 Pages
Mark	Before modification	After modification	Modified by	Modify date			Frequency	3Φ230V
1	2	3	4	5	6	7	8	50HZ



信易電熱機械股份有限公司  
Shini Plastics Technologies, Inc.