

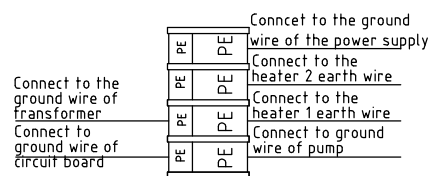
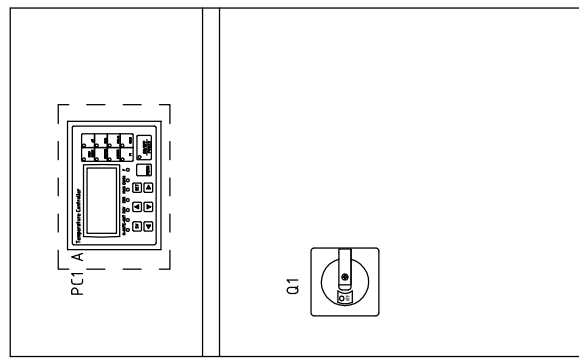
版本 Ver.B

Mark	Before modification	Modified by	20170526	4	5	6	7	8
Checked by		Date	20170526	4	5	6	7	8
Proofread by		Approved by		4	5	6	7	8
Designer		Version	A	4	5	6	7	8
Drawer		Title	STM-3050F Control Circuit Diagram	4	5	6	7	8
Scale	Standard	Drawing No.	STM-3050F-CE-230V-A-2	4	5	6	7	8
Page	2	Standard	CE	4	5	6	7	8
Totally	4	Voltage	230V	4	5	6	7	8
Pages	4	Frequency	50HZ	4	5	6	7	8

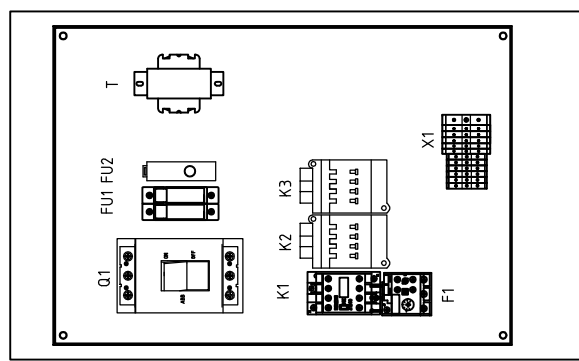


1 2 3 4 5 6 7 8

A B C D

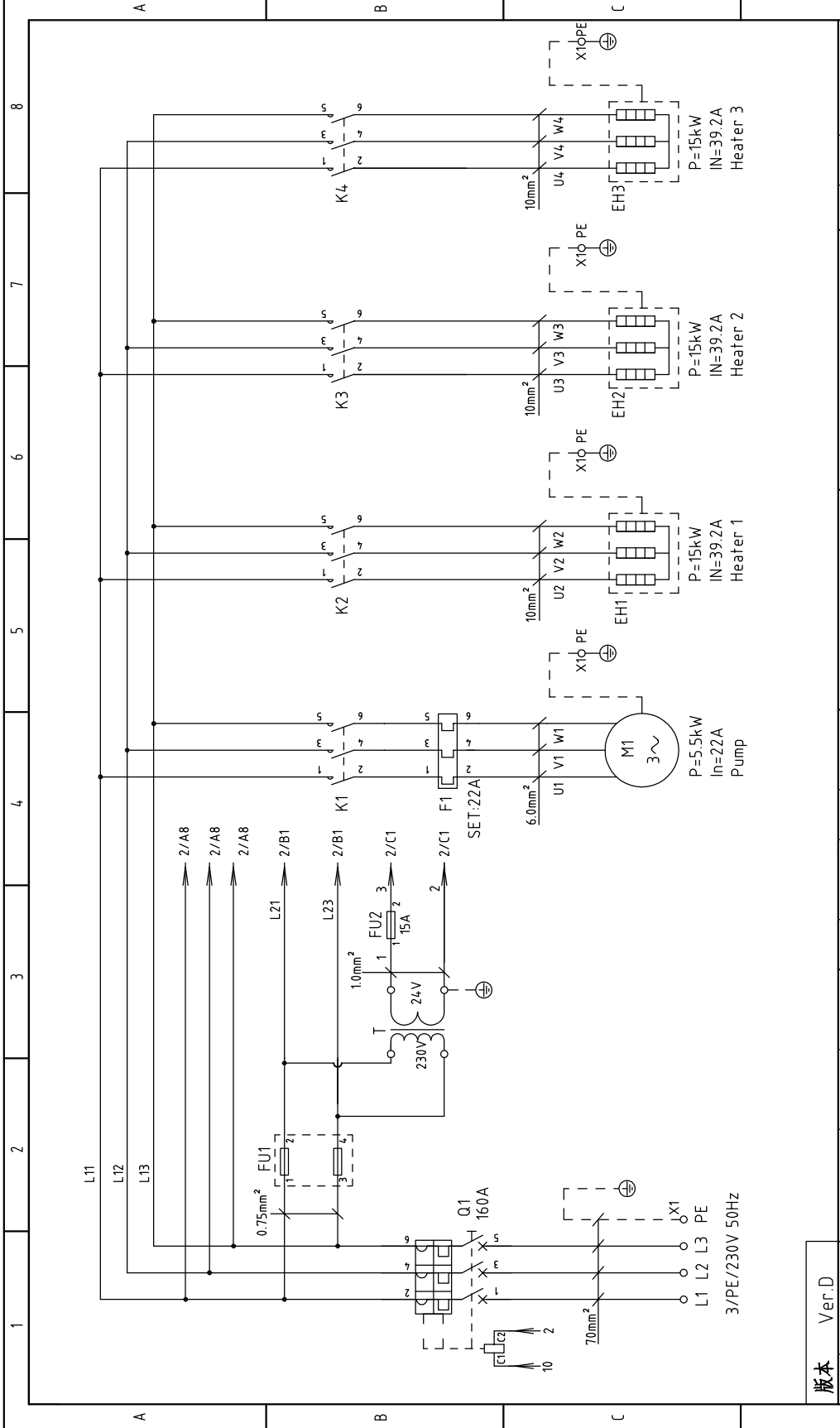


RS485 Communications wiring diagram



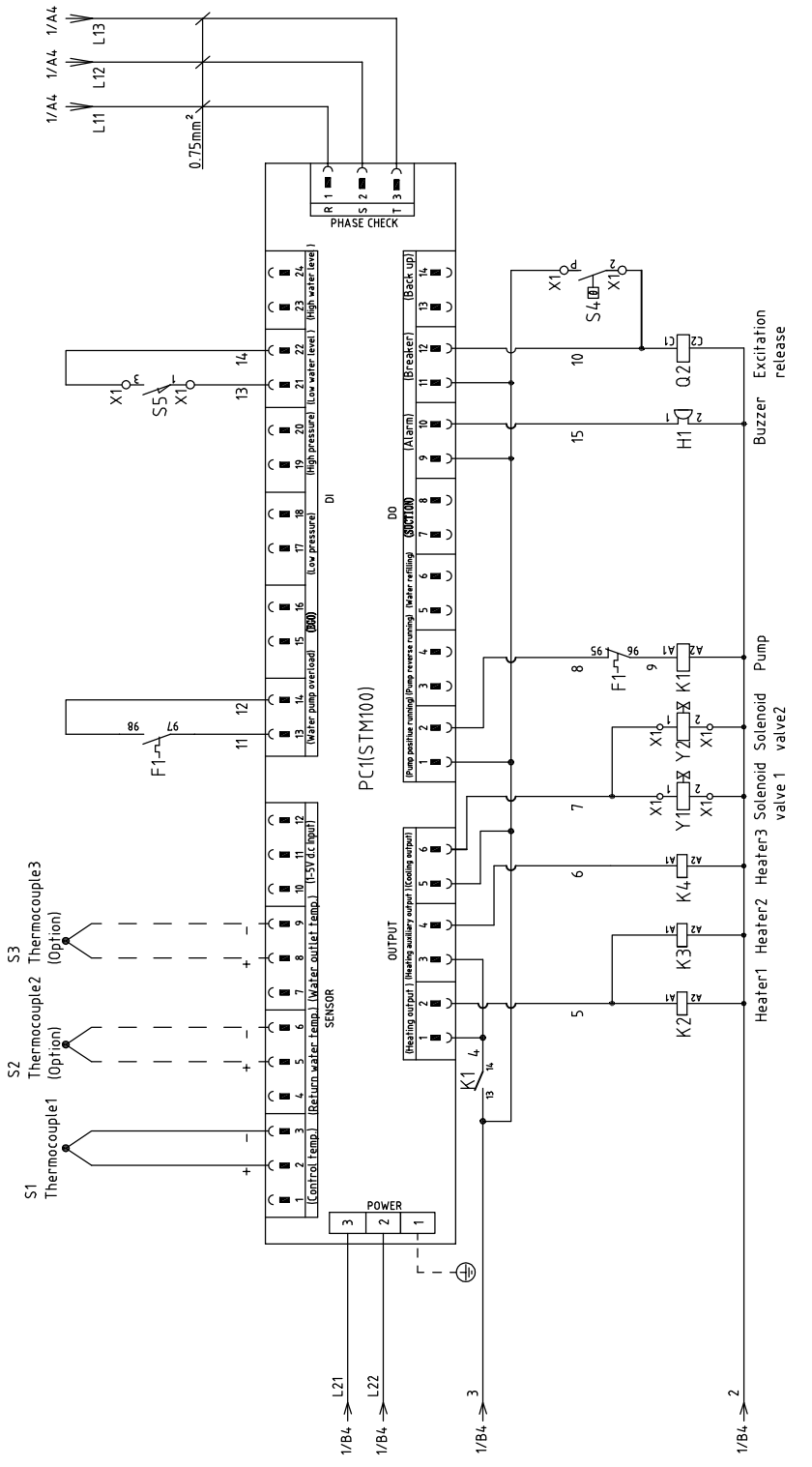
Technical requirements: Pump and pipe heater should be directly connected to the output terminals of contactor and thermal overload relay.(2)Main power inlet directly connects to breaker interlock without passing by terminal board.

概本 Ver.B	Title		Drawing NO.		Scale	Page
	STM-3050F		STM-3050F-CE-230V-A-3		Standard	3
Mark	Electrical Components Layout		Standard		Voltage	
	20170526		CE		230V	
Before modification	Modified by	Modify date	Checked by	Proofread by	Designer	Pages
1	2	3	4	5	6	Totally 4
SHINI 信易电热机械股份有限公司 Shini Plastics Technologies, Inc.						Frequency
						50HZ
						8



版本 Ver.D

Drawing NO.		Page 1	
Title		Scale	Totally 4 Pages
STM-4575F		Standard	CE
Main Circuit Diagram		Voltage	230V
SHINI 信易電熱機械股份有限公司 Shini Plastics Technologies, Inc.		Frequency	50Hz
Version	B	Approved by	
Designer		Checked by	
Proofread by		Modify Date	
Drawn		Date	20170531
Mark	Before modification	After modification	1
		3	4
		5	7
		8	8



版本 Ver.D

Drawing NO.		STM-4575F		Page 2	
Title		Control Circuit Diagram		Standard CE	
Version		B		Voltage 230V	
Designer		Approved by		Frequency 50HZ	
Proofread by		Date 20170531		Totally 4	
Checked by		Modified by		Pages	
Mark		Before modification		230V	
1		2		50HZ	
3		4		8	
5		6		7	
8		9		10	
11		12		13	
14		15		16	
17		18		19	
20		21		22	
23		24		25	
26		27		28	
29		30		31	
32		33		34	
35		36		37	
38		39		40	
41		42		43	
44		45		46	
47		48		49	
50		51		52	
53		54		55	
56		57		58	
59		60		61	
62		63		64	
65		66		67	
68		69		70	
71		72		73	
74		75		76	
77		78		79	
80		81		82	
83		84		85	
86		87		88	
89		90		91	
92		93		94	
95		96		97	
98		99		100	

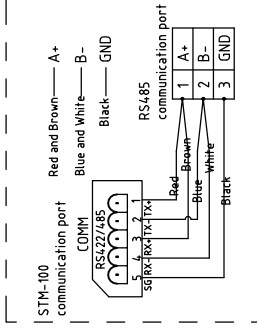
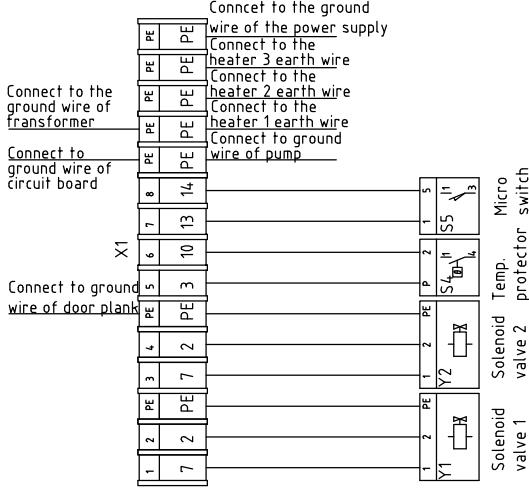
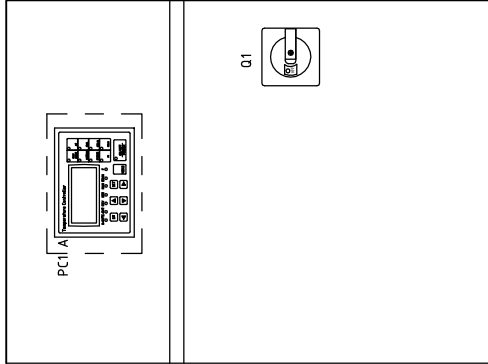


A

B

C

D



RS485 Communications wiring diagram

Technical requirements: Pump and pipe heater should be directly connected to the output terminals of contactor and thermal overload relay (2) Main power inlet directly connects to breaker interlock without passing by terminal board.

版本 Ver.D

Mark	Before modification	Modified by	Modify date	Checked by	Date	20170531	SHINI 信易塑料机械股份有限公司 Shini Plastics Technologies, Inc.	Electrical Components Layout		Standard	CE	Voltage Frequency		230V 50Hz
	After modification								Scale	Page	3	Totally	4	Pages
Title		STM-4575F		Drawing NO.		STM-4575F-CE-230V-B-3		Version		Standard		Page		3
Drawer		Designer		Proofread by		Approved by		Date		Date		Date		4

1	2		3	4	5	6	7	8	
NO.	Symbol	Name	Manufacturer	Type	Specification	Number	Material number	Remark	
1	Q1	Breaker Interlock	ABB	A2B250TMF160/16003PFF	160A	1	YE41161500000		
2		Excitation Release	ABB	SOR-C	24V-30V AC/DC	1	YE40243000900		
3	K1	Contactors	SIEMENS	3RT6027-1AC20	24VAC	1	YE00602702600	A	
4	K2 K3 K4	Contactors	SIEMENS	3RT5036-1AC20	24VAC	3	YE00503602600		
5	F1	Overload Relays	SIEMENS	3RU6126-4DB0	20-25A	1	YE01260200000		
6	FU1	Fuse Base	CHNT	RT28-32	32A 2P	1	YE41032200000		
7		Fuse Core	MRO	10x38 500V	2A	2	YE46002000100		
8	FU2	Fuse	YINDA	FS-10	----	1	YE41001000000		
9		Fuse	----	15A(6x30)	15A	1	YE46001500200		
10	T	Transformer	BAIYUN	IN=230V OUT=24VAC	350VA	1	YE70023005800		
11	S1	Thermocouple	SHINI	----	K	1	----	B	
12	S2 S3	Thermocouple	SHINI	----	K	2	----	(1)(2)	
13	S4	Overheat Protector	----	----	----	1	----	(1)	
14	S5	Limit Switch	RENEW	----	250V 5(4)	1	----	(1)	
15	PC1 A	Circuit Board	HANYOUNGUX	STM100-21(With the communication)	180~430V 50/60Hz	1	YE81184300200		
16	X1	Terminal Board	----	2.5mm ²	----	8	YE60002503200		
17		Terminal Board	----	2.5mm ² PE	----	2	YE60002503400		
18		Terminal Board	----	6.0mm ² PE	----	1	YE60000603500		
19		Terminal Board	----	10mm ² PE	----	3	YE60001003500	C	
20		Terminal Board	----	50mm ² PE	----	1	YE61005040100		
21	M1	Motor	SHINI	----	230V 50Hz 5.5kW	1	----	(1)	
22	EH1 EH2 EH3	Heater	SHINI	15kW	230V 50Hz	3	----	(1)	
23	H1	Buzzer	----	PK-35A	24VAC/DC	1	YE84003500600		
24	Y1 Y2	Solenoid Valve	----	----	24VAC 50/60Hz	2	----	(1)	
版本 Ver.D Notes: (1)Means it's not the material inside the control box.(2)Means equipped with function of displaying water outlet and return water temperature.									
				SHINI 信易塑料机械股份有限公司 Shini Plastics Technologies, Inc.		Drawing NO. STM-4575F-CE-230V-B-4 Electrical Components List		Scale Standard CE	Page 4 Totality 4 Pages
Mark	Before modification	Modified by	Modify date	Checked by	Date	20170531			
1	2	3	4	5	6	7	8		