

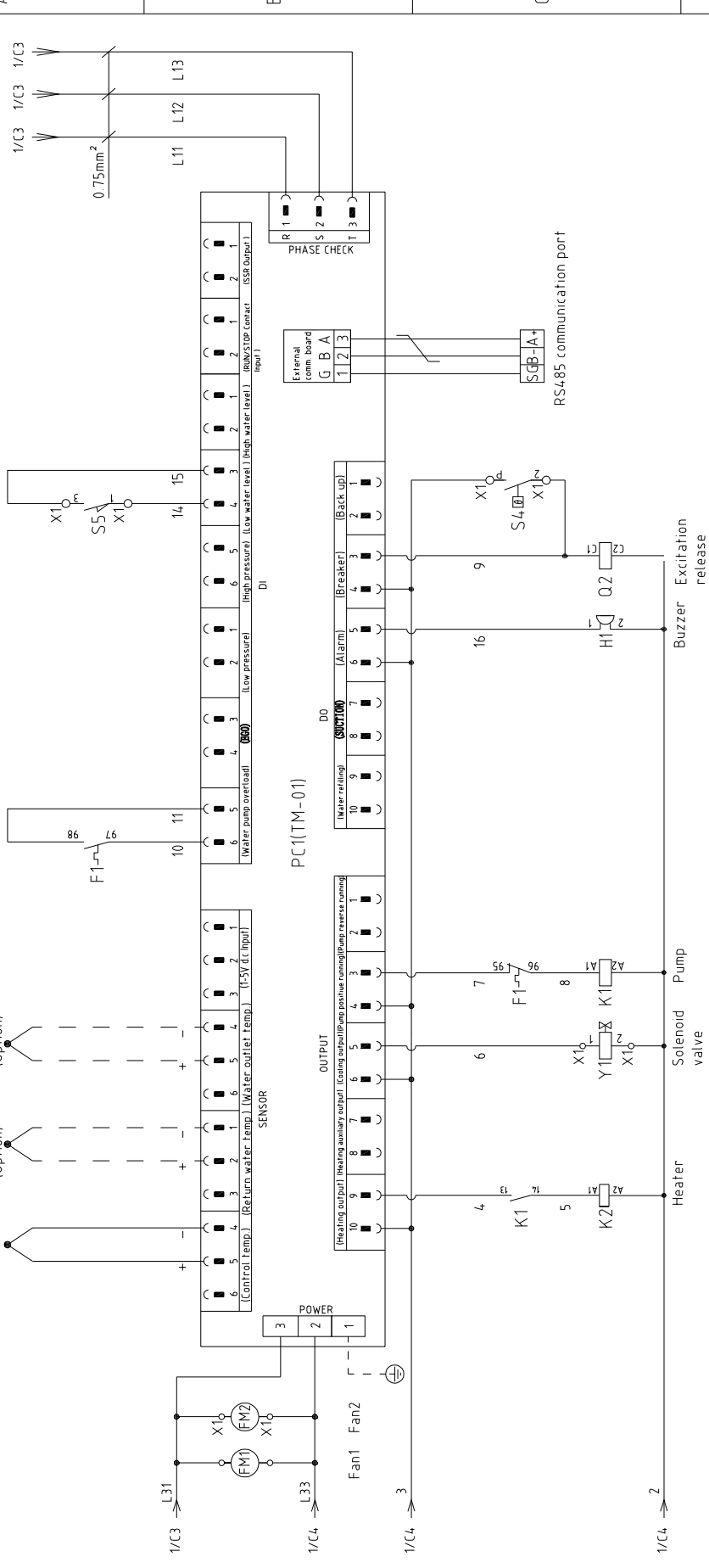
版本	Ver.E
Mark	Before modification
	After modification
	Modified by
	Modify date
	Checked by
	Proofread by
	Designer
	Drawer
Version	F
Approved by	
Date	20170622

Title		Drawing NO	
STM-907HT		STM-907HT-CE-230V-F-1	
Main Circuit Diagram		Scale	
		Standard CE	
		Voltage 230V	
		Frequency 50HZ	
		Page 1	
		Totally 5 Pages	



信易电热机械股份有限公司
Shini Plastics Technologies, Inc.

- S1 Thermocouple1 (Return water temp.)
- S2 Thermocouple2 (Option)
- S3 Thermocouple3 (Option)



版本 Ver.E

D	Mark	Before modification	Modified by	20180102	F	Version	Approved by	Title	Drawing No		Page
	After modification			STM-907HT					STM-907HT-CE-230V-F-2	Scale	
								Control Circuit Diagram	Standard	CE	Totally
											5
											2
											Pages
											5
											Voltage
											230V
											Frequency
											50HZ
											8



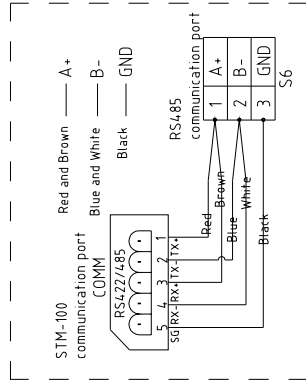
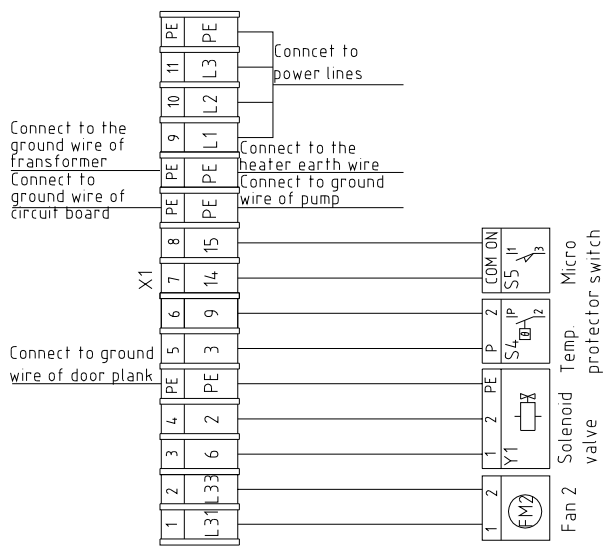
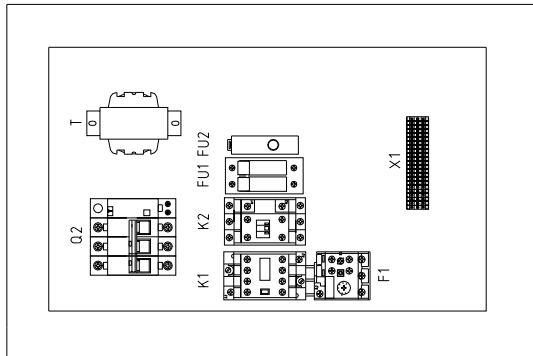
 信易電熱機械股份有限公司
 Shini Plastics Technologies, Inc.

A

B

C

D



RS485 Communications wiring diagram

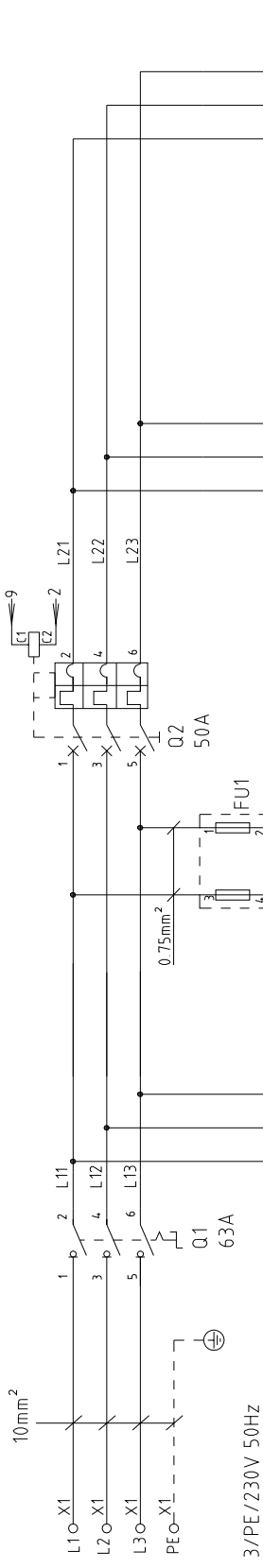
Technical requirements: (1) Pump and pipe heater should be directly connected to the output terminals of contactor and thermal overload relay.

Version	Ver.E
Mark	Before modification
Modified by	
Modify date	
Checked by	
Date	20170622
Approved by	
Designer	
Drawer	
Version	F
Title	STM-907HT
Electrical Components Layout	
Drawing NO	STM-907HT-CE-230V-F-3
Scale	Standard
Page	3
Totally	5
Pages	
Voltage	230V
Frequency	50HZ



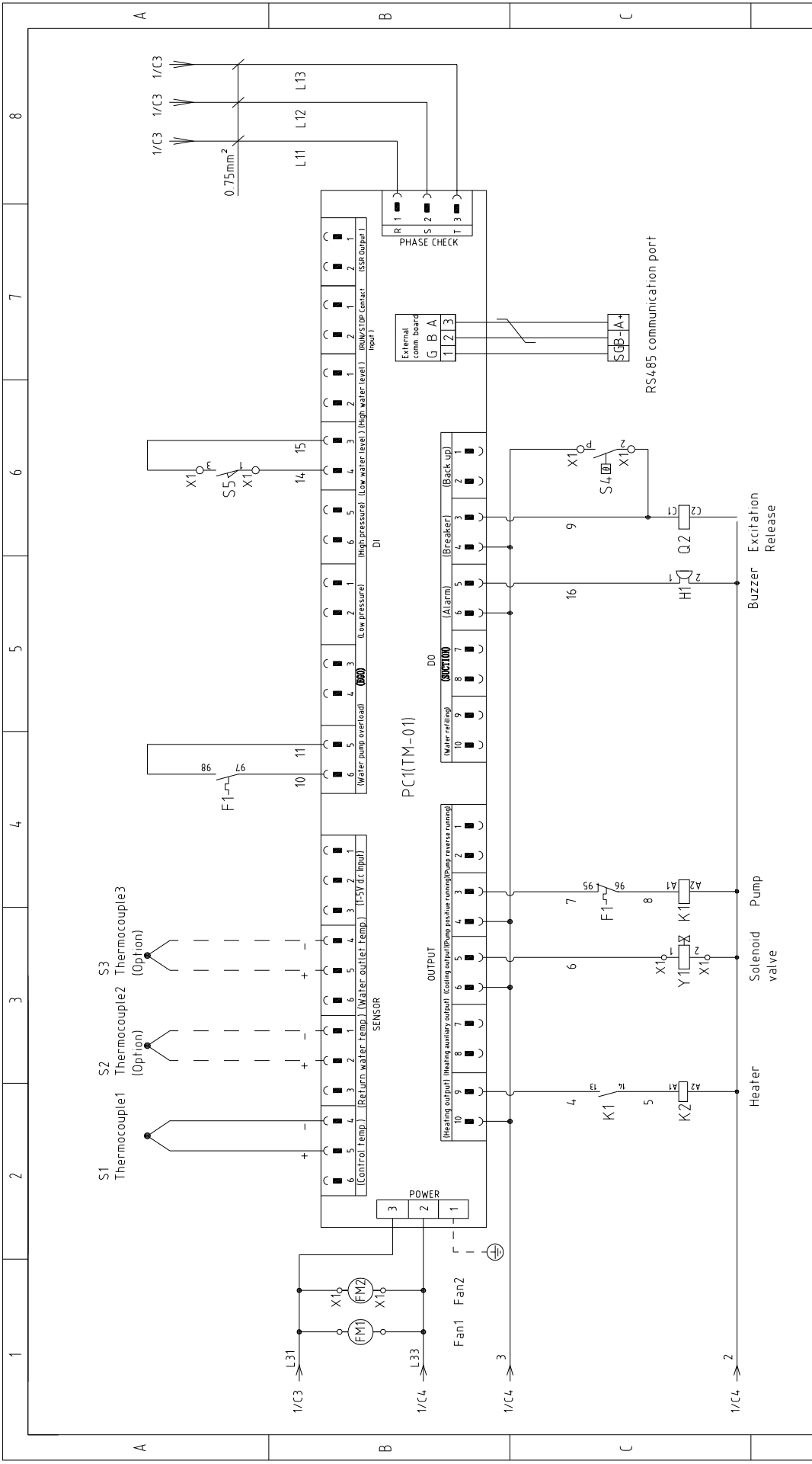
1		2		3		4		5		6		7		8	
NO.	Symbol	Name	Manufacturer	Type	Specification	Number	Material number	Remark							
1	Q1	Main Switch	EATON	P1-32/EA/SVB	32A	1	YE10323200000								
2	Q2	Circuit Breakers	TECO	BM-63S	40A	1	YE40304003000								
3		Excitation Release	CHINT	MX	24VAC	1	YE40024000000								
4	K1	Contactors	SIEMENS	3RT6015-1AB01	24VAC	1	YE00601502500								
5	K2	Contactors	SIEMENS	3RT6027-1AC20	24VAC	1	YE00602702600								
6	F1	Thermo Overload Relay	SIEMENS	3RU6116-1BB0	1.4-2A	1	YE01160140000								
7	FU1	Fuse Base	CHNT	RT28-32	32A 2P	1	YE41032200000								
8		Fuse Core	MRO	10×38 500V	2A	2	YE46002000100								
9	FU2	Fuse	YINDA	FS-10	----	1	YE41001000000								
10		Fuse	----	6×30/3A	3A	1	YE46630500200								
11	T	Transformer	----	IN=230V OUT=24VAC	120VA	1	YE70023005500								
12	S1	Thermocouple	SHINI	----	K	1	----	(1)							
13	S2 S3	Thermocouple	SHINI	----	K	2	----	(1)(2)							
14	S4	Overheat Protector	----	----	----	1	----	(1)							
15	S5	Limit Switch	RENEW	----	250V 5(4)	1	----	(1)							
16	S6	Communication interface board RS-485 (double Dsub-9pin connector)	----	----	----	1	YE90048501200	(1)							
17		Shell RS485(SAL-700G-A-1910)	----	----	----	1	YR40048500000	(1)							
18	PC1 A	Circuit Board	YUYUN	TM-01 (含通讯)	180~4.30V 50/60Hz	1	YE81012200300								
19	X1	Terminal Board	----	2.5mm ²	----	8	YE60002503200								
20		Terminal Board	----	2.5mm ² PE	----	2	YE60002503400								
21		Terminal Board	----	6.0mm ²	----	3	YE60000603200								
22		Terminal Board	----	6.0mm ² PE	----	2	YE60000603500								
23	M1	Motor	SHINI	MP-55	230V 50Hz 0.55kW	1	----	(1)							
24	EH	Heater	SHINI	9kW	230V 50Hz	1	----	(1)							
25	FM1 FM2	Fan	----	----	230V 50/60Hz	2	----	(1)							
版本 Ver.E															
Notes: (1)Means it's not the material inside the control box (2)Means equipped with function of displaying water outlet and return water temperature.															
				Title		Version		F		Drawing NO		Scale		Page	
				STM-907HT		Electrical Components list 1		STM-907HT-CE-230V-F-4		Standard		CE		Page 4	
				SHINI		SHINI		SHINI		SHINI		Voltage		230V	
				20170622		Date		20170622		Frequency		Frequency		50HZ	
Mark		Before modification		Modified by		Modify date		20170622		Checked by		Checked by		Checked by	
1		2		3		4		5		6		7		8	





版本	Ver.F
Mark	Before modification
	After modification
	Modified by
	Modify date
	Checked by
	Proofread by
	Designer
	Drawer
Version	F
Title	

Drawing NO		Page 1	
STM-1215HT		Totally 5 Pages	
Main Circuit Diagram		Standard CE	
STM-1215HT-CE-230V-F-1		Voltage 230V	
		Frequency 50Hz	
SHINI		信易电热机械股份有限公司 Shini Plastics Technologies, Inc.	
Date 20170623			



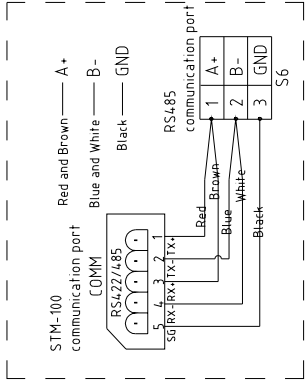
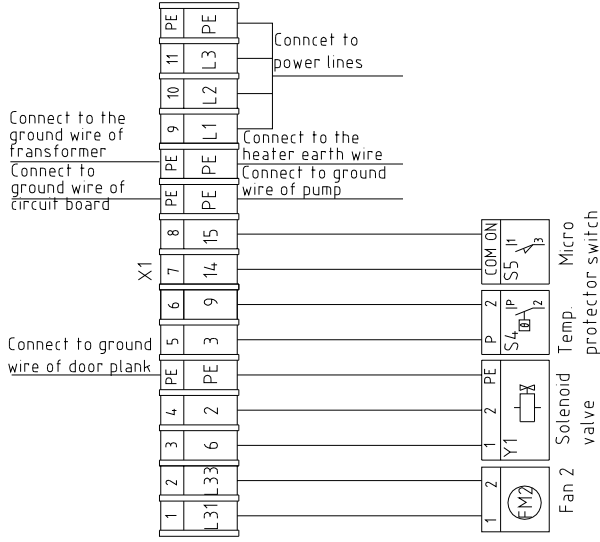
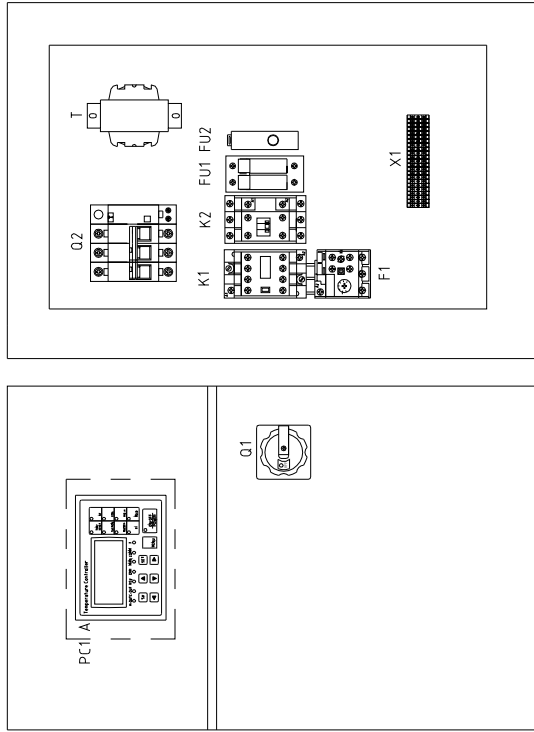
版本	Ver.F				Scale		Page 2
		Designer	Version	F	Title		Totally 5 Pages
Mark	Before modification	Modified by	Approved by	STM-1215HT Control Circuit Diagram		Standard CE	
	After modification	Modify date	Date	STM-1215HT - CE-230V-F-2		Voltage 230V	
				Drawing NO		Frequency 50HZ	
				SHINI 信易電熱機械股份有限公司 Shini Plastics Technologies, Inc.		8	

A

B


C

D



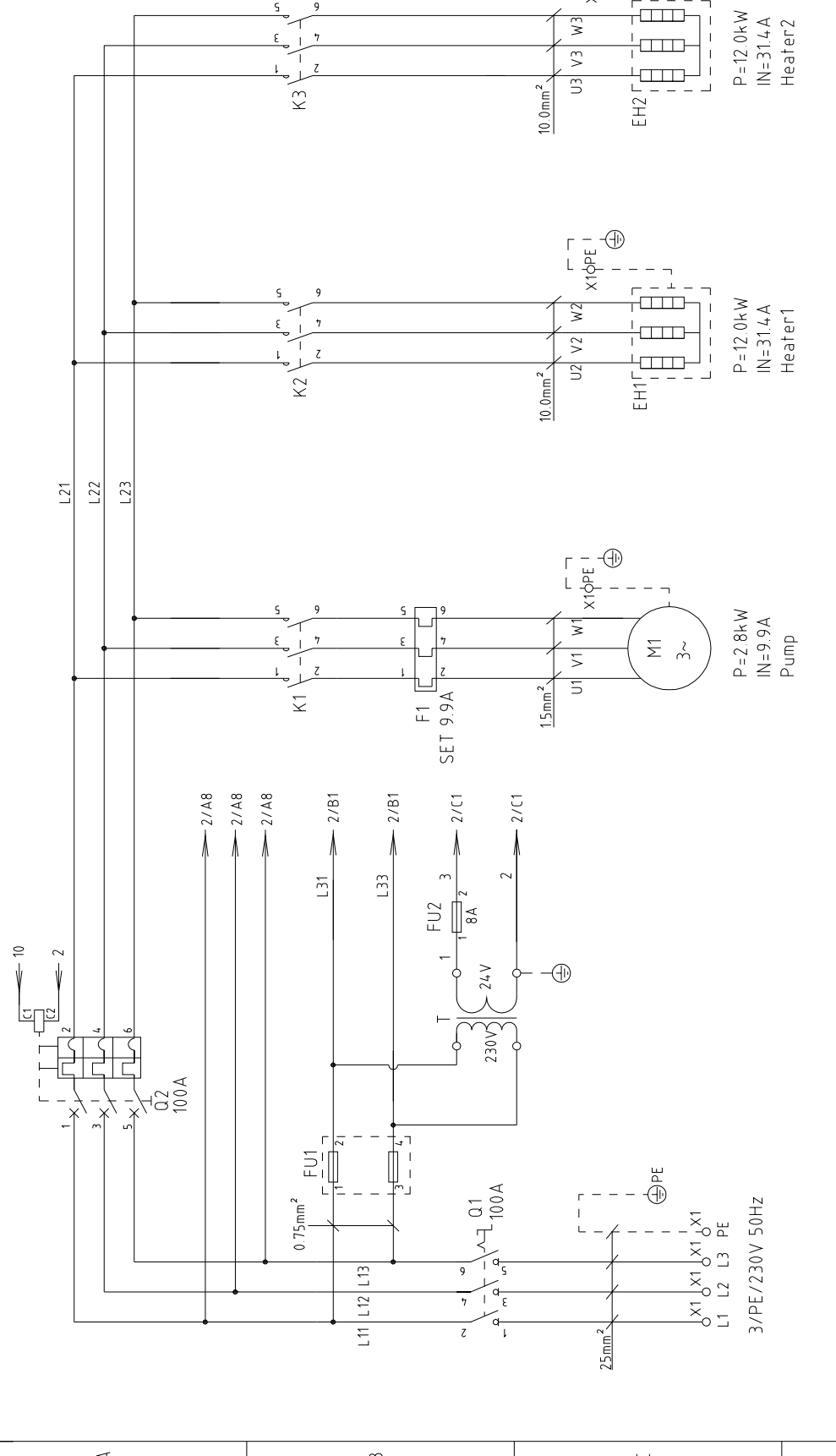
RS485 Communications wiring diagram

Technical requirements: (1) Pump and pipe heater should be directly connected to the output terminals of contactor and thermal overload relay.

版本	Ver.F	Version	F	Title	Drawing NO		Scale	Page	3
					STM-1215HT	STM-1215HT-CE-230V-F-3			
Mark	Before modification	Approved by	Date	20170623	 信易電熱機械股份有限公司 Shini Plastics Technologies, Inc.		Voltage		230V
	After modification						Modified by	Checked by	Frequency
1	2	3	4	5	6	7	8		

1		2		3		4		5		6		7		8	
NO.	Symbol	Name	Manufacturer	Type	Specification	Number	Material number	Remark							
1	Q1	Main Switch	EATON	P3-63/EA/SVB	63A	1	YE10636300000								
2	Q2	Circuit Breakers	TECO	BM-63C/3050S	50A	1	YE40305003000								
3		Excitation Release	CHINT	MX	24VAC	1	YE40024000000								
4	K1	Contactors	SIEMENS	3RT6015-1AB01	24VAC	1	YE00601502500								
5	K2	Contactors	SIEMENS	3RT5035-1AC20	24VAC	1	YE00503502600								
6	F1	Thermo Overload Relay	SIEMENS	3RU6116-1EB0	2.8-4A	1	YE01160280000								
7	FU1	Fuse Base	CHNT	RT28-32	32A 2P	1	YE41032200000								
8		Fuse Core	MRO	10×38 500V	2A	2	YE46002000100								
9	FU2	Fuse	YINDA	FS-10	-----	1	YE41001000000								
10		Fuse	-----	6×30/5A	5A	1	YE46630500100								
11	T	Transformer	-----	IN=230V OUT=24VAC	120VA	1	YE70023005500								
12	S1	Thermocouple	SHINI	-----	K	1	-----	(1)							
13	S2 S3	Thermocouple	SHINI	-----	K	2	-----	(1)(2)							
14	S4	Overheat Protector	-----	-----	-----	1	-----	(1)							
15	S5	Limit Switch	RENEW	-----	250V 5(4)	1	-----	(1)							
16	S6	Communication interface board RS-485 (double Dsub-9pin connector)	-----	-----	-----	1	YE90048501200	(1)							
17		Shell RS485(SAL-700G-A-19)0	-----	-----	-----	1	YR40048500000	(1)							
18	PC1 A	Circuit Board	YUYUN	TM-01 (含通讯)	180~4.30V 50/60Hz	1	YE81012200300								
19	X1	Terminal Board	-----	2.5mm ²	-----	8	YE60002503200								
20		Terminal Board	-----	2.5mm ² PE	-----	2	YE60002503400								
21		Terminal Board	-----	10mm ²	-----	3	YE60000603200								
22		Terminal Board	-----	10mm ² PE	-----	2	YE60000603500								
23	M1	Motor	SHINI	MP-100	230V 50Hz 1.0kW	1	-----	(1)							
24	EH	Heater	SHINI	12kW	230V 50Hz	1	-----	(1)							
25	FM1 FM2	Fan	-----	-----	230V 50/60Hz	2	-----	(1)							
版本															
Ver.F		Notes: (1)Means it's not the material inside the control box (2)Means equipped with function of displaying water outlet and return water temperature.													
D		Drawer		Version		F		Title		Drawing NO		Scale		Page	
		Designer		Approved by				STM-1215HT		STM-1215HT		Standard		4	
		Proofread by		Date		20170623		Electrical Components list 1		STM-1215HT-CE-230V-F-4		CE		5	
Mark		After modification		Modify date								Voltage		230V	
		Checked by										Frequency		50HZ	
1		2		3		4		5		6		7		8	



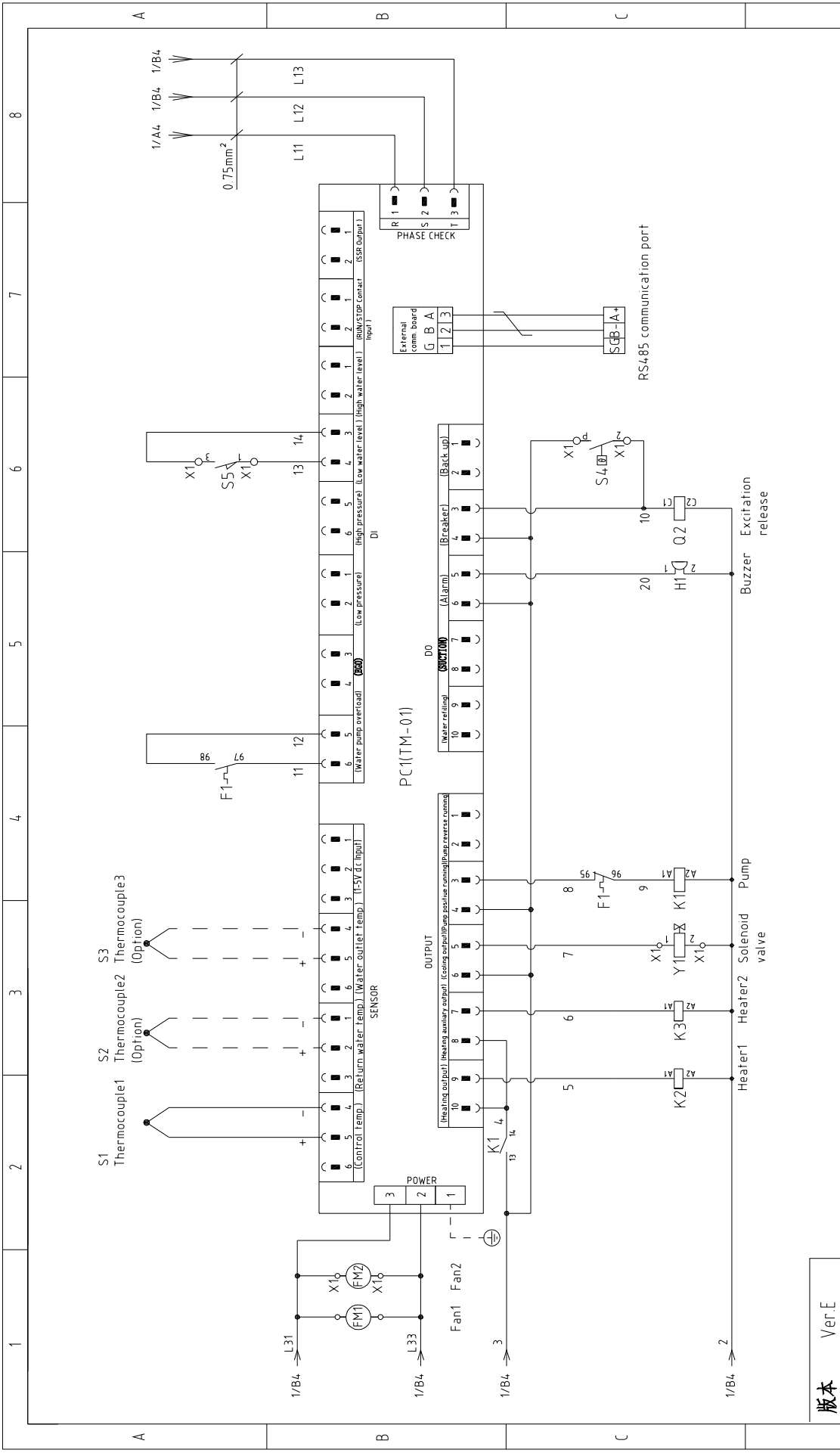


版本	Ver.E
Mark	Before modification
Mark	After modification
Modified by	
Modify date	
Checked by	
Date	20170623
Approved by	
Version	E
Designer	
Proofread by	
Drawer	

Title		STM-2440HT	
Main Circuit Diagram		Drawing NO	
E		STM-2440HT-CE-230V-E-1	
Version		Scale	
Approved by		Standard	
Date		Voltage	
20170623		230V	
		Frequency	
		50HZ	

Page		1	
Totally		4	
Pages		CE	
Voltage		230V	
Frequency		50HZ	





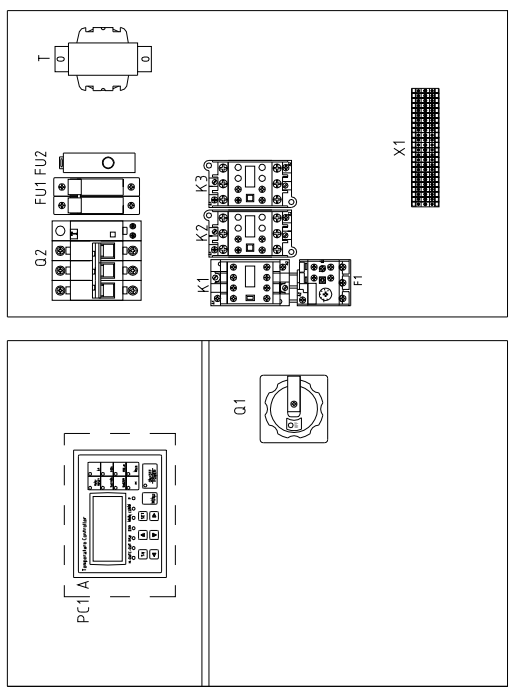
版本	Ver.E
Mark	Before modification
	Modified by
	Modify date
	Checked by
	Proofread by
	Designer
	Drawer
	Version
	Approved by
	Date
	20180102

Title		Drawing NO	
STM-2440HT		STM-2440HT-CE-230V-E-2	
Control Circuit Diagram		Page 2	
Scale		Standard	
Voltage		Frequency	
230V		50HZ	
CE		Page 4	
Totally		Pages	
4		4	



1 2 3 4 5 6 7 8

A B C



Connect to ground wire of door plank

Connect to the ground wire of transformer

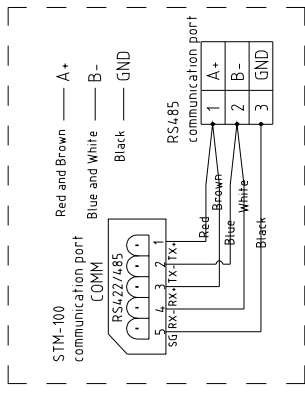
Connect to ground wire of circuit board

Connect to the heater 2 earth wire

Connect to the heater 1 earth wire

Connect to ground wire of pump

Connct to power lines



RS485 Communications wiring diagram

Fan 2 Solenoid Temp Micro
valve protector switch

版本 Ver.E

Technical requirements: (1) Pump and pipe heater should be directly connected to the output terminals of contactor and thermal overload relay.

D	Ver.E	Version	E	Title	Drawing NO		Scale	Page
				STM-2440HT	STM-2440HT-CE-230V-E-3	Standard	CE	Totally 4
Mark	Before modification	Modified by	Date	Electrical Components Layout		Voltage		230V
	After modification	20170623	20170623			Frequency		50HZ
1	2	3	4	5	6	7	8	8



1	2		3	4	5	6	7	8
NO.	Symbol	Name	Manufacturer	Type	Specification	Number	Material number	Remark
1	Q1	Main Switch	EATON	P3-100/EA/SVB	100A	1	YE100100000000	
2	Q2	Circuit Breakers	TECO	BM-100D/3100S	100A	1	YE40310003000	
3		Excitation Release	TECO	MX	24VAC	1	YE40024000000	A
4	K1	Contactors	SIEMENS	3RT6017-1AB01	24VAC	1	YE00601702500	
5	K2 K3	Contactors	SIEMENS	3RT5035-1AC20	24VAC	2	YE00503502600	
6	F1	Thermo Overload Relay	SIEMENS	3RU6116-1KB0	9-12.5A	1	YE01169125000	
7	FU1	Fuse Base	CHNT	RT18-32	32A 2P	1	YE41032200000	
8		Fuse Core	MRO	10×38 500V	2A	2	YE46002000100	
9	FU2	Fuse	YINDA	FS-10	----	1	YE41001000000	
10		Fuse	----	6×30/8A	8A	1	YE46863000200	
11	T	Transformer	BAIYUN	IN=230V OUT=24VAC	180VA	1	YE70023005600	B
12	S1	Thermocouple	SHINI	----	----	1	----	(1)
13	S2 S3	Thermocouple	SHINI	----	----	2	----	(1)(2)
14	S4	Overheat Protector	----	----	----	1	----	(1)
15	S5	Limit Switch	RENEW	SM1709-A/SZ-15GHW24-BA	250V 5(4)	1	----	(1)
16	PC1A	Circuit Board	YUYUN	TM-01 (含通讯)	180~4.30V 50/60Hz	1	YE81012200300	
17	X1	Terminal Board	----	2.5mm ²	----	8	YE60002503200	
18		Terminal Board	----	2.5mm ²	----	2	YE60002503400	
19		Terminal Board	----	10mm ²	----	2	YE60001003500	C
20		Terminal Board	----	35mm ²	----	3	YE60003503200	
21		Terminal Board	----	35mm ²	----	1	YE60003503500	
22	M1	Motor	----	TP-280	230V 50Hz 2.8kW	1	----	(1)
23	EH1 EH2	Heater	----	12kW	230V 50Hz	2	----	(1)
24	FM1 FM2	Fan	----	----	230V 50/60Hz	2	----	(1)
25	H1	Buzzer	----	PK-35A	24VAC	1	YE84003500600	
版本		Ver.E						
Notes: (1)Means it's not the material inside the control box (2)Means equipped with function of displaying water outlet and return water temperature.								
			Drawer	Version	Title	Drawing NO		Scale
			Designer	E	STM-2440HT	STM-2440HT-CE-230V-E-4		Standard
			Proofread by	Approved by	Electrical Components List		CE	Page 4
			Checked by	Date			Voltage	Totally 4 Pages
Mark	Before modification	After modification	Modify date	20170623			Frequency	4
1	2	3	4	5	6	7	8	



信易电热机械股份有限公司
Shini Plastics Technologies, Inc.