

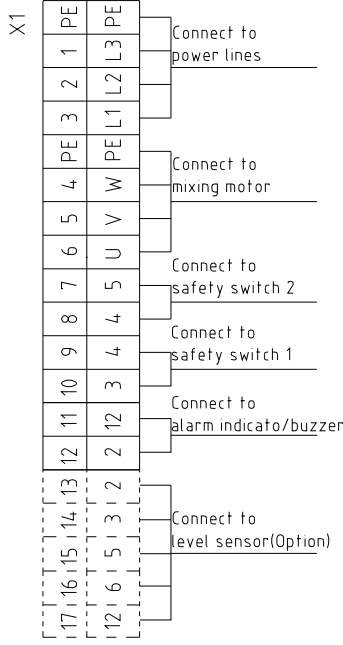
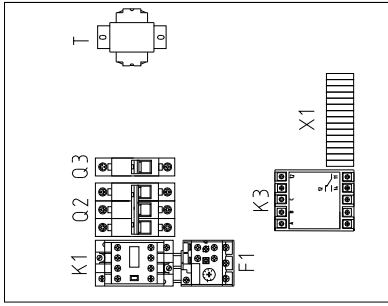
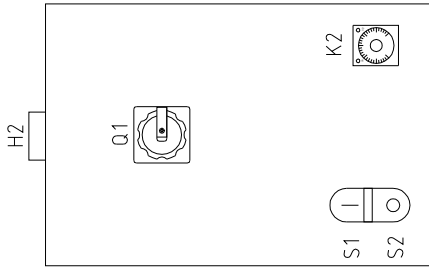
Note: If not selecting the level sensor, connect wire 5 to wire 6)

SVM-160U 机型版本: Ver.E
SVM-300U 机型版本: Ver.D

D	Mark	Before modification	Modified by	Modify date	Checked by	Date	20180720	E	Version	Approved by	Title	SVM-160U/300U		Drawing NO	SVM-160U-10000U-CE-400V-E-1		Scale	Standard	CE	Page 1	Totally 9	Pages
	After modification											Voltage	400V		Frequency	50HZ						



1 2 3 4 5 6 7 8



SVM-160U~300U

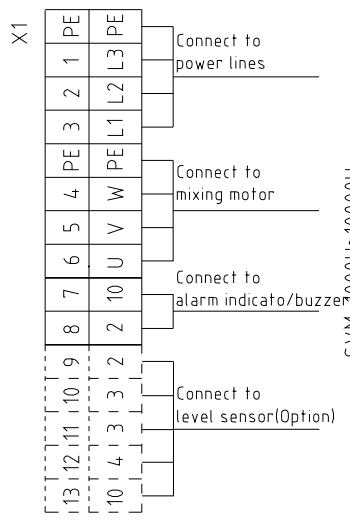
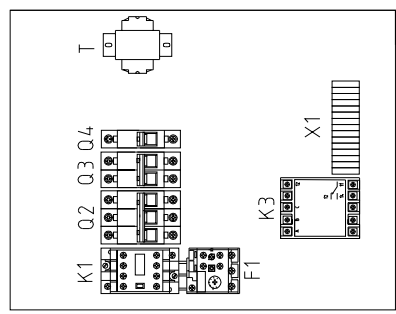
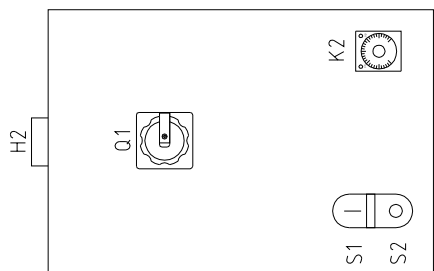
SVM-160U 机型版本: Ver E

SVM-300U 机型版本: Ver D

D	Mark	Before modification	Modified by	Modified date	Checked by	Proofread by	Designer	Drawer	Version	E	Title	SVM-160U/300U	Drawing NO	SVM-160U-10000U-CE-400V-E-3	Scale	Standard	CE	Page	3	
		After modification										Electrical Components Layout							Totally	9
																			Voltage	400V
																			Frequency	50Hz
																			Page	3
																			Totally	9
																			Pages	
																			 信易電熱機械股份有限公司 Shini Plastics Technologies, Inc.	

1 2 3 4 5 6 7 8

1 2 3 4 5 6 7 8



SVM-1000U~10000U

SVM-1000U~10000U 机型版本: Ver-C

Mark	Before modification	After modification	Modified by	Modify date	Checked by	Proofread by	Designer	Drawer	Version	E	Title	SVM-1000U~10000U Electrical Components Layout	Drawing NO	SVM-160U-10000U-CE-4.00V-E-4	Scale	Standard	CE	Page	4
																		Totally	9
																		Voltage	4.00V
																		Frequency	50HZ



1 2 3 4 5 6 7 8

