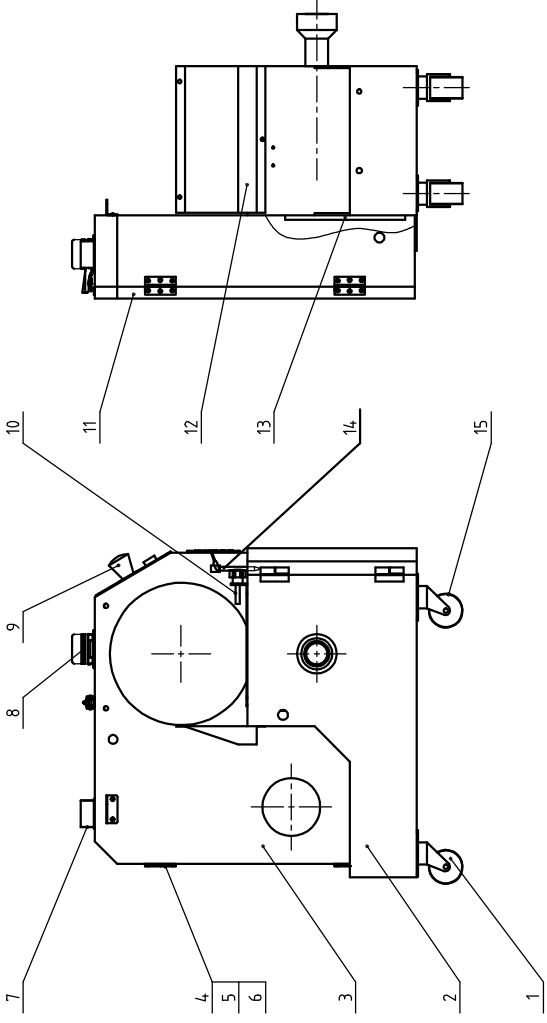


31	YF90000600400	Black rubber seal ring (6x5mm)	1.25m
30	YW60082000500	Hex bolt (M12) 10x120x1.6	4
29	---	Blower mount plate	SPH6.0
28	YW64.012100000	Hex nut (M12) 10x120x1.6	4
27	YW66.1224.00000	Flat washer A7x6x0.3x120x1.6	8
26	YW65012000000	Standard spring washer (M12) 1.6	4
25	YW6074.5000000	Hex bolt (M12) 10x120x1.6	4
24	BW30010200050	Blower (0.55kW)	1
23	YW65008000100	Standard spring washer (M12) 1.6	8
22	YW60082000500	Hex bolt (M12) 10x120x1.6	4
21	---	Blower discharge pipe	SUS201
20	YW6304.0600000	Cross roller part (nut cover) (M12) 1.6	4
19	YW06000200000	Stakes (S&S) ring (1.5x4.4) 1.5x2.0	2
18	---	Small motor rear cover plate	SPCC15
17	---	Right external cover	SPCC15
16	---	Cyclone dust separator	Assembly
15	---	Feeder assembly	Assembly
14	BW2001200014.0	Hardie	1
13	YW61081600000	Hex bolt (column head cover) (M12) 1.6	2
12	YW62061500000	Long cross roller flat head screw (M12) 1.6	6
11	---	Small motor cover	SPCC15
10	YW66102100000	Flat washer 10	1
9	YW61103000100	Hex bolt (column head cover) (M12) 1.6	1
8	BH1029280014.0	Support block	SPH8.0
7	YW61104.0000000	Hex bolt (column head cover) (M12) 1.6	12
6	YW69084.0000000	Elastic column pin (M8-4.0)	Compound steel
5	---	Cutting chamber assembly	Assembly
4	---	Main frame	Assembly
3	YW66081900000	Flat washer (M12) 1.6	11
2	YW60082000500	Hex bolt (M12) 10x120x1.6	3
1	---	Roller & control box components	Assembly

Title		Drawing no.	
Roll-feed Granulator		SGF-2628E	
Dra.	Ver.	Mat.	Remarks
Desi.	App.	Scale 1:12	No. 1
Check	by	Surface req	Mat.
App.	Date	Mat No.	
Mod. by	Date		
After Mod.	Date		
Mark	Before Mod.		

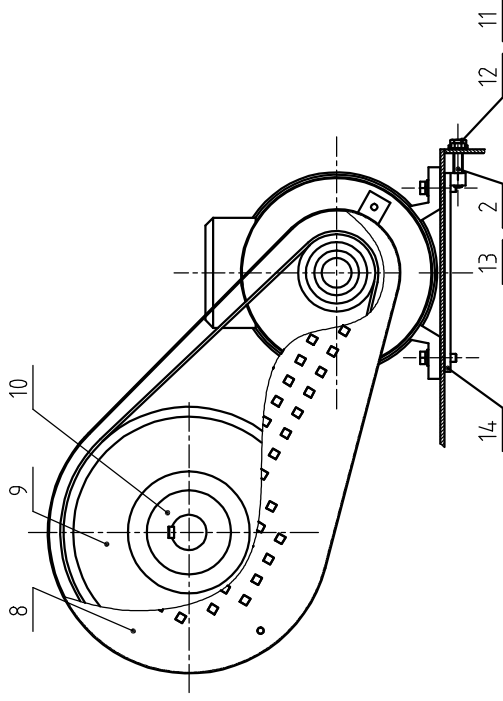
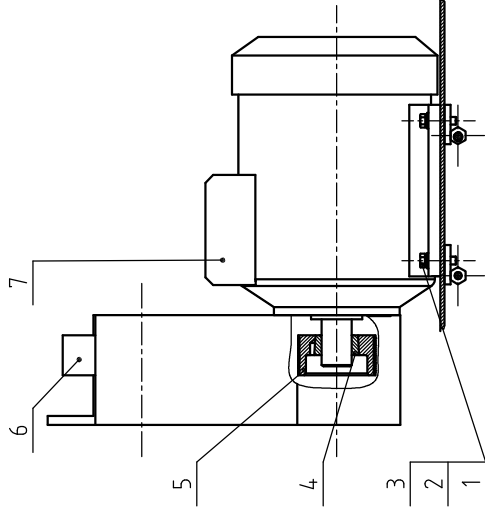
SHINI 信昌電機機械股份有限公司
Shini Plastics Technologies, Inc.



No.	Material number	Name	Mat. No.	Num.	Remarks
28	Y'W02003000400	Adjustable sprayer tank	SPCC2.0	2	
27	--	Sprayer tank	Assembly	1	
26	YE16147600100	Stainless steel plate	SUS	1	
25	Y'W07000200000	Feed pipe	Component Assembly	1	
24	--	Strap	Component Assembly	1	
23	--	Front door plate	Component Assembly	1	
22	BR01016000020	Pre-d SG-16 (punching)	Assembly	1	
21	YE11233100000	Star handle	SPCC2.0	1	
20	YE90422200000	Adjustable potentiometer LA2004-2	Assembly	1	
19	Y'W63040600000	Potentiometer mount plate	SPCC2.0	6	
18	--	Star handle	Assembly	1	
17	YE11222000000	Star handle 3" PP	Rubber	2	
16	Y'W03000300000	Motor fixed mounting pin	SUS304	1	
15	BH11003800610	Electrical mount plate	SPCC12	1	
14	--	Rear fan	SPCC12	1	
13	--	Control box door	SPCC15	1	
12	YR40104500000	Star handle M10x4.5	Assembly	1	
11	YE11254200000	Emergency stop button	Assembly	1	
10	BL90002401520	Star handle	Assembly	1	
9	YE10021600000	Main power switch	Assembly	1	
8	Y'W64000500000	Internal metal plate	12		
7	Y'W62051000100	Large metal plate	14		
6	Y'W06253200000	Hinge CL253-29(Shengjiu)	SPCC2.0	2	
5	--	Control box	SPCC2.0	1	
4	Y'W03000300200	Total support bracket	SPH	1	
3	--	Black movable castor 3"PP	Rubber	2	
2	--	Black movable castor 3"PP	Rubber	2	

Title		Drawing no.	
Rack & Control Box Parts		SGF-2628E	
Ver.		App.	
Dra.		by	
Desi.		Date	
Check			
App.			
Mod. by		Date	
Affer Mod.			
Before Mod.			
Scale		Mat. No.	
Surface req		Mat. No.	

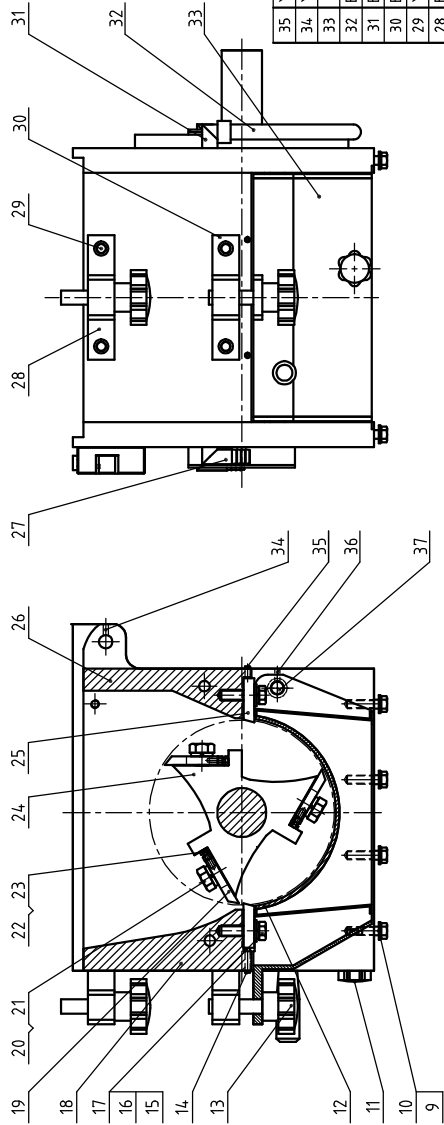




No.	Material number	Name	Mat.	Num.	Remarks	
14	BL50212840120	Motor adjusting plate	Q235A	2		
13	YW60105000000	Hex. bolt @15781M4x38-8.8-Engine		1		
12	YW66122400000	Rat. washer A grade @17011M5x4x4-Engine	14.0HV	2		
11	YW60123500000	Hex. bolt @17183 M2x35-8-Longite		1		
10	BW30002005520	Hex. cap screw S10-300-45 H1251 (assembly)		1		
9	BW30001605120	Spall. wheel S10-300-20 H1251 (assembly)		1		
8	--	Belt wheel cover	SPCC15	1		
7	YM10204000600	Motor M0-4M-32M-4P-BB1E320V40V	Assemblies	1	(230/4.00V)	
6	YR00562000000	Poly V-belt 20P J56"	Rubber	1		
5	BW30002005420	Small spall. wheel S10-300-30 H1251 (assembly)		1		
4	BW30002005220	Small belt wheel S10-300-20 H1251 (assembly)		1		
3	YW65010000000	Standard spring washer CB/193 10-Longite	65Min	4		
2	YW66102000100	Rat. washer A grade @17011M5x4-8.8-Engine	14.0HV	5		
1	YW60104000100	Hex. bolt @15781M4x38-8.8-Engine		4		
No.		Material number	Name	Mat.	Num.	Remarks

Title		SGF-2628E		Drawing no.	
Draw.		Ver.		Scale	
Desi.		App.		Mat.	
Check		by		Surface req.	
App.		Date		Mat No.	
Mark	Before Mark	After Mod.	Modified by.	Date	

SHINI 信易電熱機械股份有限公司
Shini Plastics Technologies, Inc.



35	YW68061000000	Set screw M6x10	Compound steel	2	
34	YW68061000000	Set screw M6x10	Compound steel	2	
33	--	Screen bracket	Assembly parts	1	
32	BL57292800020	Copper pipe (L=500)	H62	1	
31	BL52292800020	Water pipe connector 2	H62	2	
30	BH10294200270	Connecting block II	Q235A	1	
29	YW61103000000	Inner hex. column head screw M6x8	12.9	4	
28	BH10294200110	Connecting block I	Q235A	1	
27	BW04030800010	Water pipe connector 1	H62	2	
26	BW30292800310	Cutting chamber rear block	QT1500-7	1	
25	YW42352700000	Fixed blade	SKD11	2	
24	BH1262800110	Blade rest shaft welding drawing	Assembly parts	1	
23	YW64050800000	Hex. nut M5	SUS304	6	GB/T6170
22	YW60051500000	Hex. bolt M5x5	SUS304	6	GB/T5781
21	YW65016000000	Spring washer 16	65Mn	9	GB/T193
20	YW60164000000	Hex. bolt M6x40	12.9	9	GB/T5782
19	YW42292800000	Movable blade	SKD11	3	
18	BW30292800510	Cutting chamber front block	QT1500-7	1	
17	YW66122400000	Flat washer 12	200HV	8	
16	YW65012000000	Spring washer 12	65Mn	8	GB/T193
15	YW60123500000	Hex. bolt M2x35	8.8	8	GB/T5782
14	YW68063000000	Set screw M6x30	Compound steel	2	
13	YR40166000000	Star handle M16x60	Assembly parts	2	
12	BL52292800820	Screen (Ø8)	45	1	Øø.
11	YR40104500000	Star handle M10x45	Assembly parts	1	
10	YW66102100000	Flat washer 10	14.0HV	8	
9	YW60103000000	Hex. bolt M10x30	8.8	8	
8	YE16161600100	Safety switch	Assembly	1	Schmersal
7	BW30292800410	Cutting chamber left block	QT1500-7	1	
6	YW09101400000	Star M10 Thread L=14mm	Assembly parts	1	
5	YW61061200000	Inner hex. column head screw M6x8	12.9	6	
4	BW30292800210	Cutting chamber right block I	QT1500-7	1	
3	YW61082000200	Inner hex. column head screw M6x8	12.9	6	GB/T770.1
2	YW65008000000	Spring washer 8	65Mn	6	
1	YW11209100000	Self-aligning roller bearing 22209	GCr15	2	GB/T288

47	BH12024000010	Flat key C16x4x6.5	45	1	
46	BH10241600000	Shaft sleeve	Q235A	1	
45	BL52262820020	Right bearing cover	Q235A	1	
44	BW30292800610	Right bearing base	QT1500-7	1	
43	YR80507200000	Rotary shaft O-type seal ring	Rubber	2	
42	YW45290000000	Fender plate	65Mn	2	
41	BH10290010010	Pin 1	Q235A	2	
40	BW30292801010	Left bearing cover	QT1500-7	1	
39	BL52262815020	Left bearing base	Q235A	1	
38	YW61061500100	Cross pin head screw M6x5	8.8	8	
37	BH10290020010	Pin 2	Q235A	2	
36	YW68061000000	Set screw M6x10	Compound steel	2	

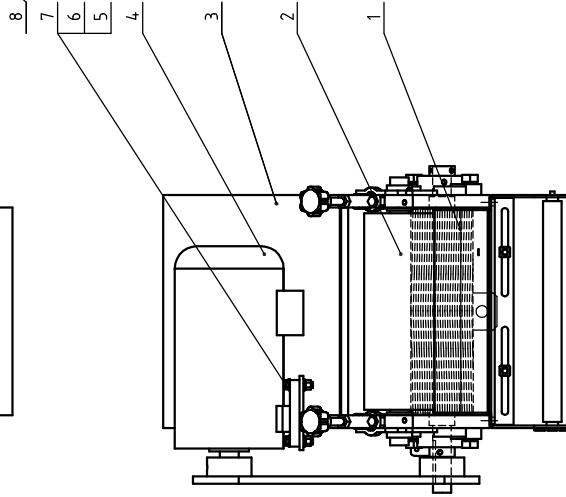
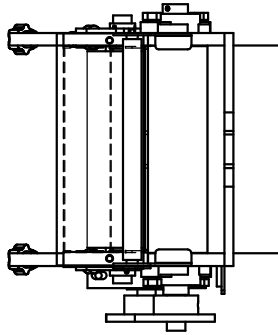
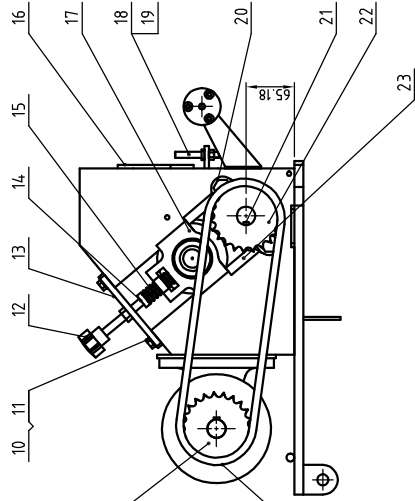
Title: Cutting Chamber Assembly
 Drawing no.: SGF-2628E

Draw.	Ver.	App.	Date
Desi.	App.	By	Date
Check	App.	By	Date
Mark	Before Mod.	After Mod.	Modified by

Scale: $\frac{1}{1}$
 Surface req.
 Mat. No.

SHINI
 世嘉電熱機械股份有限公司
 Shini Plastics Technologies, Inc.

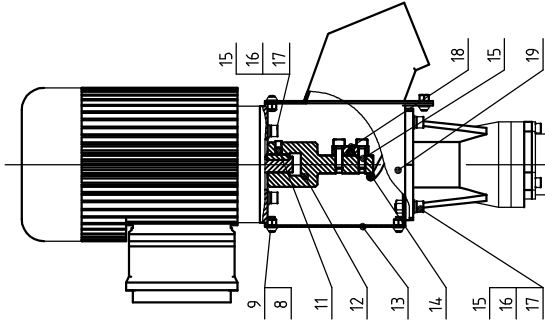
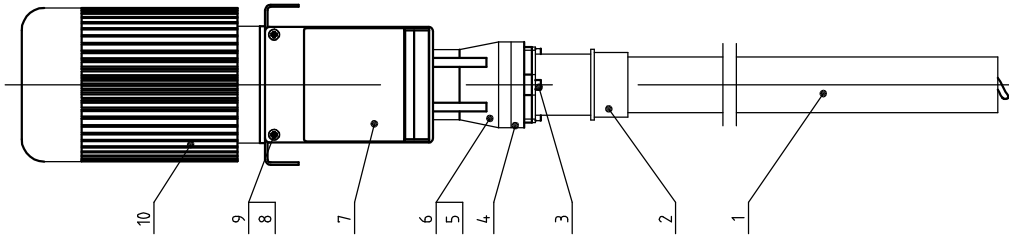
Num.
 Mat.
 Remarks




No.	Material number	Name	Mat.	Num.	Remarks
23	--	Feed port fender plate	SUS201	4	
22	YW30292800800	Chain wheel II	4.0Cr	1	
21	BH1029280010	Flat key	4.5	1	
20	YW11020500000	Outer sphere bearing with noodes base	Assembly	2	
19	YW64408060000	Hex. nut M8	8.8	2	
18	BH10292800040	Mat. width adjusting rod	Q235A	2	
17	YW11020500100	Outer sphere bearing with slider	Assembly	2	
16	--	Fender device assemblies	Assembly	1	
15	YW01163600000	Compressed spring	65Mn	2	
14	BH10292800240	Pressing head	Q235A	2	
13	BL5Z2800140	Driven wheel adjuster	SPH8.0	2	
12	YW09107000000	Length increased star heads screw M8xH	Assembly	2	
11	YW66081900000	Flat washer 8	14.0HV	4	
10	YW60083000200	Hex. bolt M6x30	8.8	4	
9	YW30292800600	Chain wheel I	4.0Cr	1	
8	YW09081200000	Chain	Assembly	1	
7	YW65008000100	Spring washer 8	65Mn	4	
6	YW60085000000	Hex. bolt M8x50	8.8	4	
5	YW64408060000	Hex. nut M8	8.8	4	
4	YM50112000000	Rolling motor (0.37kW)	Assembly	1	
3	--	Feed port wetting drawing	Assembly	1	
2	YW30292800300	Driven roller wheel	4.0Cr	1	
1	BH10292803010	Driving roller wheel	Assembly	1	

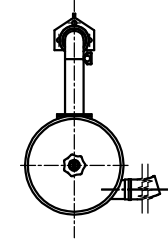
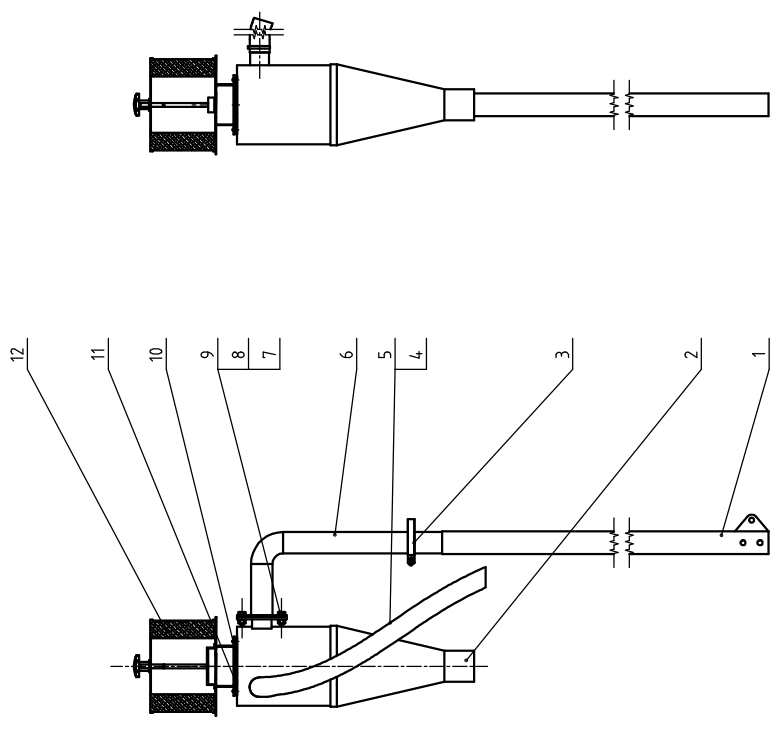
Title		Ver.		App.		Date	
SGF-2628E							
Drawing no.		Drawn		Desi.		Check	
Feed Box Assemblies							
Scale		App.		Date		Date	
1:1							
Surface req.		Mark		Before Mod.		After Mod.	
Mat. No.		Modified by		Date		Date	

SHINI 信昌電熱機械股份有限公司
Shini Plastics Technologies, Inc.



No.	Material number	Name	Mat.	Num.	Remarks
19	--	Transfer box	Welding assembly	1	
18	BH10503600010	Pressing block	SPH10.0	1	
17	YW66061300000	Flat washer 6	14.0HV	10	
16	YW6506000100	Spring washer 6	65Mn	10	
15	YW61062000300	Inner hex. screw M6-x20	2.9	10	
14	YW01162800600	Conveying spring	SWP-B	1	
13	--	Cover plate	SUS201.5	1	
12	BH10162800440	Connecting shaft	Q235A	1	
11	YW68006600000	Inner hex. screw M6-x6	12.9	2	
10	YM50761400000	Motor 0.18kW	Assembly	1	
9	YW66057000000	Flat washer 5	14.0HV	8	
8	YW62057000100	Inner hex. screw M5-x10	4.8	8	
7	--	Material outlet	SUS201.2.0	1	
6	BP20503000050	Pipe sleeve seal ring	Rubber	1	
5	BW20500000010	Pipe sleeve base	YL112	1	
4	BW20500000710	Pipe sleeve cover	YL112	1	
3	YW60054000000	Inner hex. screw M5-x40	8.8	3	
2	--	Conveying pipe sleeve	Welding assembly	1	
1	BR90162800110	Conveying pipe	PA12	1	

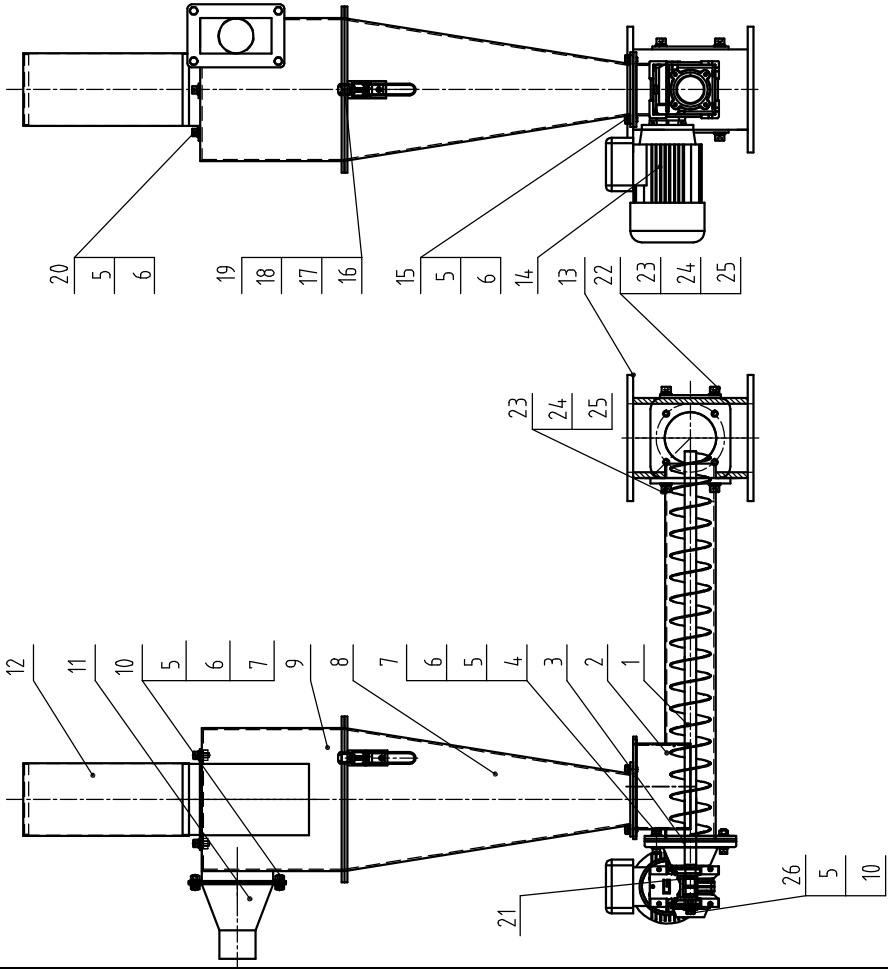
Draw	Ver.	Title		Drawing no.	
Desi.	App	SG-16N/20N		Feed Port Welding Drawing	
Check	by				
App.	Date	Mark	Before Mod.	After Mod.	Modified by: Date
			 信昌電軌機械股份有限公司 Shini Plastics Technologies, Inc.		
			Scale	Mat.	Remarks
			Surface req.	Mat. No.	



No.	Material number	Name	Mat.	Num.	Remarks
12	--	Simple filter	Assembly	1	
11	BL59160000171	Filter screen	Assembly welding	1	
10	YW61051000200	Hex. nut 8/16x1/4" Longrite		4	
9	YW64080600000	Hex. nut 8/16x1/4" Longrite	8-8	4	
8	YW66081900000	Flat washer A grade 8/16x1/4" Longrite	1LCHV	8	
7	YW60082000500	Hex. bolt 8/16x1/4" Longrite		4	
6	--	Upper support	Assembly welding	1	
5	YW02003000000	Stainless steel pipe clamp 3"	Assembly	2	
4	YR60253000000	Steel wire hose 2.5"	Assemblies	1	2m
3	YW07001500500	1.5" food pipe clamp	Assembly	1	
2	--	Cyclone main body	Assembly welding	1	
1	--	Lower support	Assembly welding	1	

Title		SGF-26E		Drawing no.	
Cyclone					
Draw	Ver.	App.	By	Date	
Desi.		Check			
Mark	Before Mod.	After Mod.	Modified by	Date	
Scale		Surface req.		Mat. No.	
Mat.		Mat.		Mat.	

SHINI 信昌電軌機械股份有限公司
Shini Plastics Technologies, Inc.

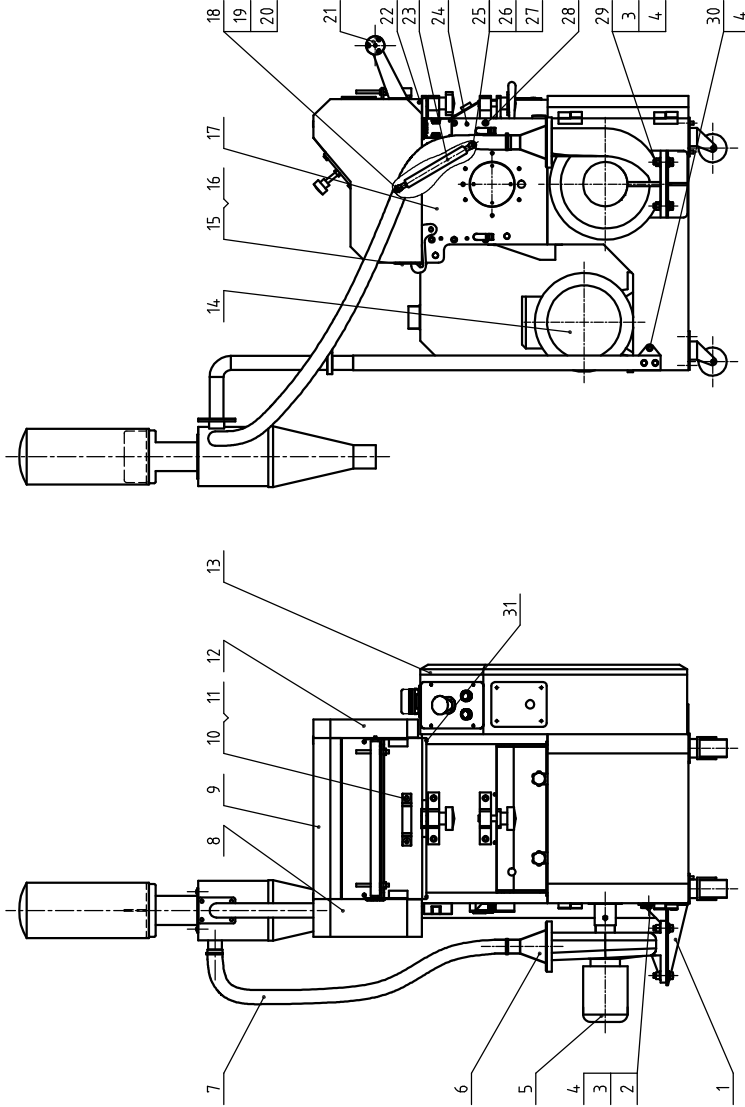


26	YW66082200100	Large washer C grade GB7845-31-Longline			1
25	YW650100000000	Standard spring washer GB793 BL-Longline			16
24	YW66102000100	Flat washer A grade GB7170/M6x2-Longline			16
23	YW61102500000	Hex lock column head screw GB7170.25-12-Longline		PC plate 5mm	3
22	BR90262800010	Sight plate		45#	1
21	BH10646000010	6x6x60 flat key			6
20	YW61082000000	Hex lock column head screw GB7170.8x28-Longline			1
19	YR10708000100	Filter head fastener 700/800G-rubber		Rubber	12
18	YW63061000000	Hex socket head screw GB7188-16-L-Longline			3
17	--	Hook		SUS201	3
16	YW00121000100	New handle SHR-P-12U-A-20			3
15	YW60081600100	Hex bolt GB15318 M6x6-L-8-Longline			4
14	YW50509000300	Gear box WH1046/C159011001/S300BPTC			1
13	--	Base		SPH10.0	1
12	--	2.5" cyclone air outlet		Assembly welding	1
11	--	2.5" cyclone air inlet		Assembly welding	1
10	YW60082000200	Hex bolt GB15318 M6x2-8-L-Longline			5
9	--	2.5" cyclone main body A		Assembly welding	1
8	--	2.5" cyclone main body B		Assembly welding	1
7	YW64400800100	Non-metal insert hex lock nut GB19831M8			8
6	YW66081900000	Non-metal insert hex lock nut GB19831M8			26
5	YW65008000100	Standard spring washer GB793-L-Longline			19
4	YW61083500000	Hex lock column head screw GB7170.8x35-L-Longline			4
3	BL52262800420	Motor flange		SUS201	1
2	--	Screw outlet pipe assembly		Assembly welding	1
1	BH10262805110	Screw		SUS201	1
No.	Material number	Name		Mat.	Num.

Title		SGF-26E		Drawing no.	
Ver.		Rotary Feeder Assembly		Scale 1:11	
App. by				Num. 1	
Date				Mat.	
Draw				Surface req.	
Desi				Mat No.	
Check					
App.					
After Mod.		Modified by:			
Mark		Date			



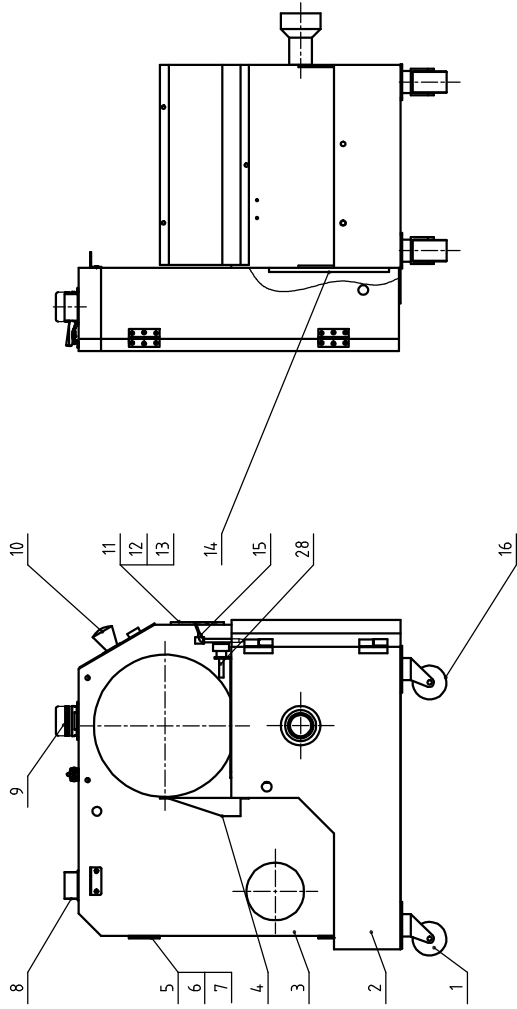
 信易電熱機械股份有限公司
 Shini Plastics Technologies, Inc.



31	YR90000600400	Black rubber seal ring (6x5mm)	153mm
30	YW60082000500	Hex. bolt (Ø15/16x100-PS) L=100mm	3
29	YW60082000500	Hex. bolt (Ø15/16x100-PS) L=100mm	4
28	YW61104000000	Hex. nut (Ø15/16x100-PS) L=100mm	12
27	YW64001000300	Hex. nut (Ø15/16x100-PS) L=100mm	1
26	YW66102000100	Flat washer 8x19x2.0 L=100mm	4
25	YW61104000000	Hex. nut (Ø15/16x100-PS) L=100mm	1
24	YW69084000000	Elastic column pin (R=4.0)	Compound steel
23	YW01612000000	Air pressure spring (60N)	Assembly
22	YW62061500000	Large metal seal flat head screw (M16x150)	6
21	---	Feed box assembly	Assembly
20	YW64001000300	Hex. nut (Ø15/16x100-PS) L=100mm	3
19	YW66102000100	Flat washer 8x19x2.0 L=100mm	1
18	YW61105000000	Hex. nut (Ø15/16x100-PS) L=100mm	1
17	---	Feed box assembly	Assembly
16	YW63040600000	Cross solid pin head screw (Ø16x150)	4
15	YW06000200000	Slotted shaft (Ingr. 7 (S&P) M16x150)	2
14	---	Main drive	Assembly
13	---	Back cover box assembly	Assembly
12	---	Right outer cover	SPCC15
11	YW61081600000	Hex. nut (Ø15/16x100-PS) L=100mm	2
10	BW20012000140	Handle	Alu. alloy
9	---	Small motor rear over plate	SPCC2.0
8	---	Small motor cover	SPCC15
7	---	Cyclone dust separator	Assembly
6	---	Blower discharge pipe	SUS201
5	BM30010200050	Blower (0.55kW)	Assembly
4	YW66081900000	Flat washer 8x19x2.0 L=100mm	11
3	YW65008001000	Standard spring washer (Ø16x4-L=100)	8
2	YW60082000500	Hex. head bolt (Ø15/16x100-PS) L=100mm	4
1	---	Blower mount plate	SPH6.0

Title		Drawing no.	
Roll-feed Granulator		SGF-264.2E	
Dra.	Ver.	Mat.	Remarks
Desi.	App.	Scale	No.
Check	by	Surface req	
App.	Date	Mat No.	
Before Mod.	After Mod.	Mod. by	
		Date	

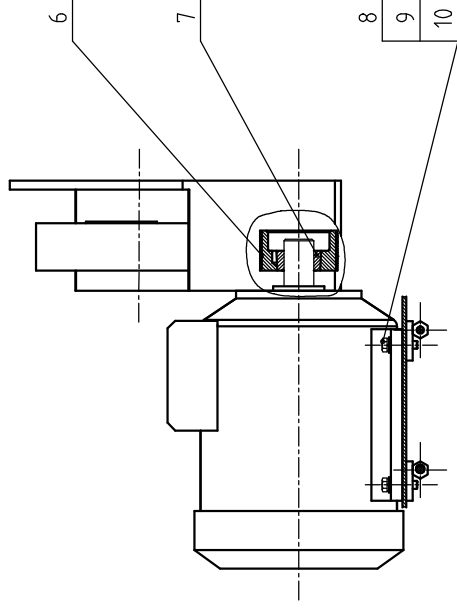
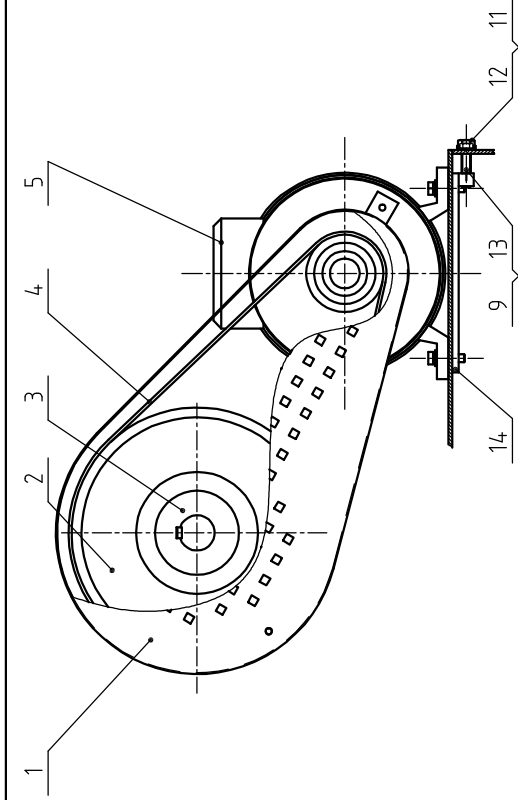
SHINI 神戶電機株式会社
Shini Plastics Technologies, Inc.



28	YR4.0104.5000000	Star handle M10-4.5	Assembly	1	
27	YW02003000400	Adjustable spacer bar	2		
26	-- -- --	Spacer bar	SPCC2.0	1	
25	YE1614.7600100	Steel switch	Assembly	1	
24	YW070002200000	Stainless steel pedestal	SUS	1	
23	-- -- --	Feet pin	Assembly welding	1	
22	-- -- --	Front door plate	SPCC15	1	
21	-- -- --	Strap pin	SECC	1	
20	BR01016000020	Panel SG-15 (punching)	Assembly	1	
19	YE11233100000	Start button	Assembly	1	
18	YE11222000000	Stop button	Assembly	1	
17	-- -- --	Control box door	SPCC15	1	
16	YW03000300000	Back plate grade 3*PP	Rubber	2	
15	BH110038000610	Motor fixed mounting pin	SUS304	1	
14	-- -- --	Electrical mount plate	SPCC12	1	
13	YE90422200000	Adjustable potentiometer 1/200002		1	
12	YW6304.0600000	Press socket pin hardware Ø16x6x4mm		6	
11	-- -- --	Inverter mount plate	SPCC2.0	1	
10	YE11254200000	Emergency stop button	Assembly	1	
9	BL900024.01520	3-4mm diameter	Assembly	1	
8	YE10021600000	Main power switch	Assembly	1	
7	YW640005000000	Handed front bracket Ø20x116		12	
6	YW620510000100	L-shaped steel flat hardware Ø20x116		14	
5	YW06253200000	Hinge CL253-29(Sheojin)		2	
4	-- -- --	Rear fender	SPCC12	1	
3	-- -- --	Control box	SPCC2.0	1	
2	-- -- --	Total support bracket	Assembly welding	1	
1	YW0300030002000	Back mount castor 3*PP	Rubber	2	

Title		SGF-264.2E		Drawing no.	
Rack & Control Box Parts					
Mark: Before Mod.	After Mod.	Mod. by	Date	App.	Date
Name			Scale		
No. Material number			No. Mat.		
Drawing no.			Remarks		
Surface req			Mat.		

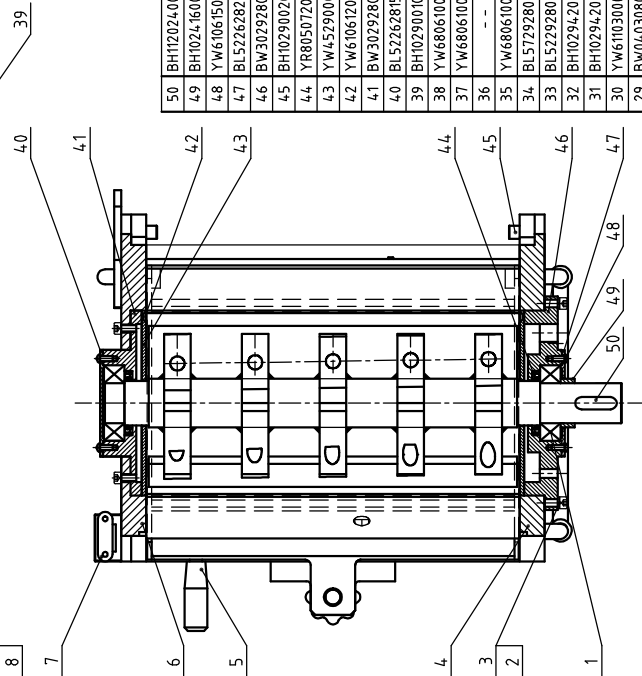
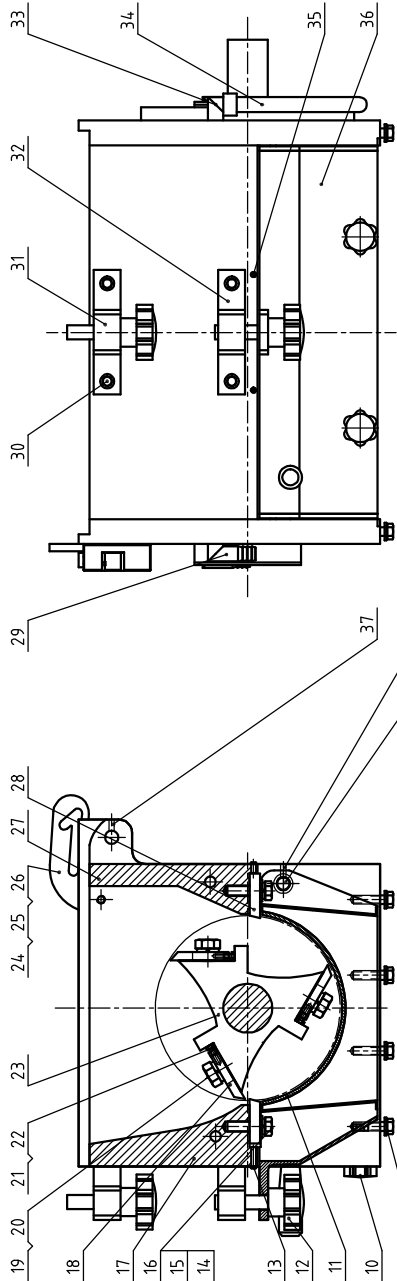




14	SG-2042N-D-05	Motor adjusting plate	Q235A	2
13	YW60105000100	Hex. bolt GB15783 M10×4-8-Longpin		1
12	YW66122400000	Flat washer A grade GB11085 6×4×0.5-Longpin	14.0HV	2
11	YW60123500000	Hex. bolt GB15783 M10×4-8-Longpin		1
10	YW65010000000	Standard spring washer GB7193 10-Longpin	65Mn	4
9	YW66102100000	Flat washer A grade GB11085 6×4×0.5-Longpin	14.0HV	9
8	YW60104000100	Hex. bolt GB15783 M10×4-8-Longpin		4
7	BW30002005420	Small paper screws S.S. 7#-3#x1.38-1175# (assembly)		1
6	BW30002005220	Small belt wheels S.S. 4#-7#x2.0#x1.38-1175# (assembly)		1
5	YM10205500500	Motor WD153M-432H-4P2H1E320W/40V	Assemblies	1
4	YR00562000000	Poly V-belt 20P J56"	Rubber	
3	BW30002005520	Big paper screws S.S. 7#-3#x1.45-1175# (assembly)		
2	BW30001605120	Big belt wheels S.S. 4#-7#x2.0#x1.38-1175# (assembly)		
1	SGF-2628E-B-01	Belt wheel cover	SPCC1.5	1
No.	Material number	Name	Mat.	Num.
			Mat.	Remarks

Title		SGF-2642E		Drawing no.	
Main Drive					
Ver.	Draw.	App.	Desi.	App.	Ver.
by	Check	by	App.	by	Date
After Mod.	Modified by.	Date	App.	Date	
Mark Before		Surface req.		Mat No.	
		Mat.			

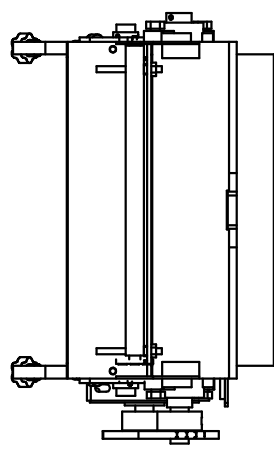
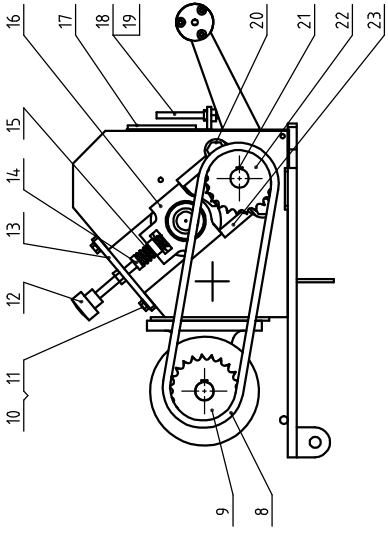
SHINI 信易電熱機械股份有限公司
Shini Plastics Technologies, Inc.



No.	Material number	Name	Mat.	Num.	Remarks
28	YW41294200000	Fixed blade	SKD11	2	
27	BW30294200310	Cutting chamber rear block	QT500-7	1	
26	YW66102100000	Flat washer 10	14OHV	1	
25	YW61103000100	Inner hex. column head screw M8	12.9	1	
24	--	Support block	SPH8.0	1	
23	BH11264200010	blade rest shaft welding drawing	4.5	1	
22	YW644050800100	Hex. nut M5	SUS304	6	GB/T16170
21	YW60051500000	Hex. bolt M5-15	SUS304	6	GB/T5181
20	YW65016000000	Spring washer 16	65Mn	15	GB/T193
19	YW60164000000	Hex. bolt M6-40	8.8	15	GB/T5182
18	YW41294200100	Movable blade	SKD11	3	
17	BW30294200010	Cutting chamber front block	QT500-7	1	
16	YW66122400000	Flat washer 12	14OHV	8	
15	YW65012500000	Spring washer 12	65Mn	8	GB/T193
14	YW60123000000	Hex. bolt M2-35	8.8	8	GB/T5182
13	YW68063000000	Set screw M6x-30	Compound steel	2	
12	YR40166000000	Star handle M16x-60	Assembly parts	2	
11	BL52294200820	Screen (φ8)	4.5	1	
10	YR40104500000	Star handle M10x4.5	Assembly parts	2	
9	YW66102100000	Flat washer 10	14OHV	8	
8	YW60103000100	Hex. bolt M0-30	8.8	8	
7	YE16147600100	Safety switch	Assemblies	1	Schmersal
6	BW30292800410	Cutting chamber left block	QT500-7	1	
5	YW09101400000	Star M10 thread L14mm	Assembly parts	1	
4	BW30292800210	Cutting chamber right block	QT500-7	1	
3	YW65008000100	Spring washer 8	65Mn	6	
2	YW61082000200	Inner hex. column head screw M8	12.9	6	GB/T170.1
1	YW11220100000	Self-aligning roller bearing 22109	GCr15	2	GB/T288

Title		SGF-2642E		Drawing no.	
Draw.		Ver.		Scale	
Desi.		App.		Surface req.	
Check		by		Mat.	
App.		Date		Mat. No.	
Modified by		Date		Remarks	
After Mod.		Date			
Before Mod.		Date			
Mark					



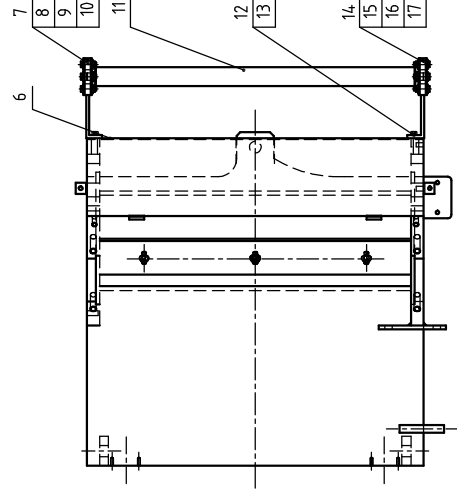
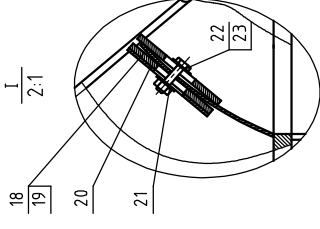
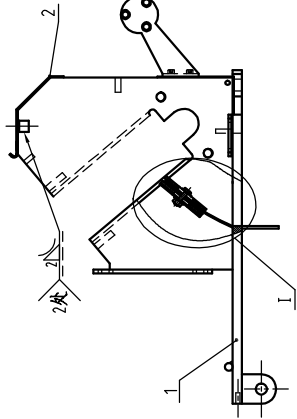
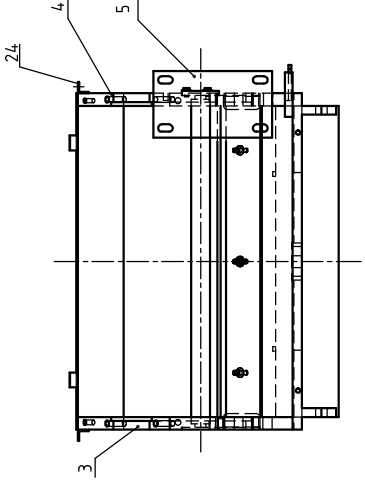
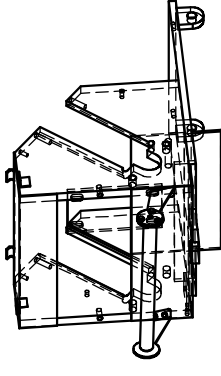


No.	Material number	Name	Mat.	Num.	Remarks
23	--	Feed part fender plate	SUS201	4	
22	YW30292800800	Chain wheel II	40Cr	1	
21	BH10292860010	Flat key	45	1	
20	YW10205000000	Outer sphere bearing with washes hole	Assembly	2	
19	YW64080600000	Hex. nut M8	8.8	2	
18	BH10292800040	Mat. width adjusting rod	Q235A	2	
17	YW10205000100	Outer sphere bearing with slider	Assembly	2	
16	--	Fender device assemblies	Assembly	1	
15	YW01163600000	Compressed spring	65Mn	2	
14	BH10292800240	Pressing head	Q235A	2	
13	BL5292800140	Driven wheel adjuster	SPH8.0	2	
12	YW09107000000	Length increased flat washers (10mm)	Assembly	2	
11	YW66081900000	Flat washer 8	140HV	4	
10	YW60083000000	Hex. bolt M8-30	8.8	4	
9	YW30292800600	Chain wheel I	40Cr	1	
8	YW09081200000	Chain	Assembly	1	
7	YM50112000000	Rolling motor	Assembly	1	
6	YW65080800100	Spring washer 8	65Mn	4	
5	YW60085000000	Hex. bolt M8-50	8.8	4	
4	YW64080600000	Hex. nut M8	8.8	4	
3	--	Feed part welding drawing	Assembly	1	
2	YW30292800500	Driving roller wheel	Assembly	1	
1	BH10294020010	Driving roller wheel	40Cr	1	

Title		Drawing no.	
SGF-264.2E		Feed Box Assemblies	
Ver.	App. By	Scale	Num.
Desi.	Check	Surface req.	Mat.
Draw.	App.	Mat. No.	Remarks
Desi.	App.		
Check	App.		
App.	App.		

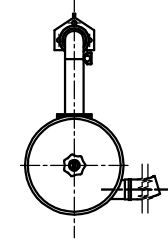
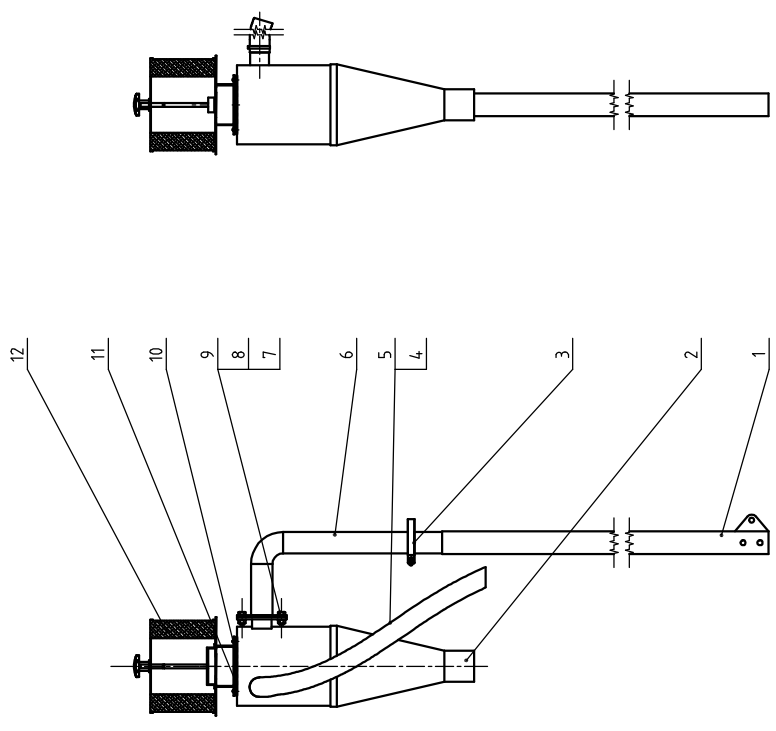
Mark	Before Mod.	After Mod.	Modified by	Date





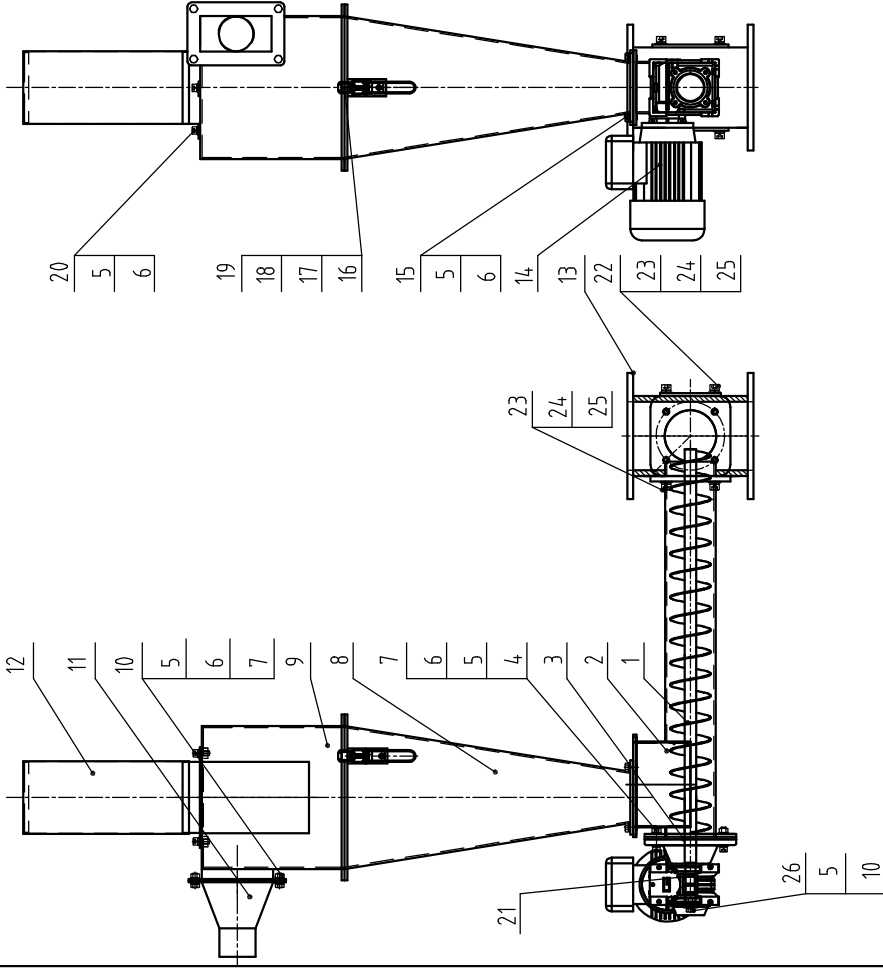
No.	Material number	Name	Mat.	Num.	Remarks
24	--	Welding lock block	SPCC2.0	2	
23	YW60052500100	Hex head bolt 6mmx5.5x100		3	
22	YW66061300000	Flat washer 4 grade stainless steel		6	
21	YW64000500000	Hex head bolt 6mmx100	SPCC2.0	3	
20	--	Feed box front steel plate	Teflon	1	
19	BH10294210010	Feed box rear feeder plate	SPCC2.0	2	
18	--	Feed box rear welding		1	
17	YW64000500000	Hex head bolt 6mmx100		6	
16	YW61052000000	Hex flat washer 6mmx100		6	
15	YW66061200000	Flat washer 4 grade stainless steel		12	
14	--	Outer end cover	SPCC15	2	
13	YW61062000200	Hex head bolt 6mmx200		4	
12	BL5262800720	Roller left bracket	SPHS.0	1	
11	BH10264201610	Unpowered roller	SUS201	1	
10	YW68041000200	Hex flat washer 6mmx100		2	
9	JW116180100000	Bearing 6/800		2	
8	--	Inner end cover	SPCC15	2	
7	BL5262800620	Roller right bracket	SPHS.0	1	
6	--	Feed part welding front plate	SPCC15	1	
5	--	Small motor mount plate	SPHS.0	1	
4	BL9000030520	Feed part welding left plate	Q235A	1	
3	BL9000030420	Feed part welding right plate	Q235A	1	
2	--	Feed part welding top plate	SPCC2.0	1	
1	--	Feed part welding bottom plate	Assembly welding	1	

Title		SGF-2642E		Drawing no.	
Draw.	Ver.	App.	By	Date	
Desi.		Check	App.	Date	
Before Mod.	After Mod.	Modified by	Date		
 SHINI 神戶電機株式会社 Shini Plastics Technologies, Inc.			Scale	Surface req.	Mar. No.
			Mat.	Num.	Remarks



No.	Material number	Name	Mat.	Num.	Remarks
12	--	Simple filter	Assembly	1	
11	BL59160000171	Filter screen	Assembly welding	1	
10	YW61051000200	Hex nut 1/2" UNF - Longrite		4	
9	YW64080600000	Hex nut 1/2" UNF - Longrite	8.8	4	
8	YW66081900000	Flat washer A grade 1/2" UNF - Longrite	1LCHV	8	
7	YW60082000500	Hex nut 1/2" UNF - Longrite		4	
6	--	Upper support	Assembly welding	1	
5	YW02003000000	Stainless steel pipe clamp 3"	Assembly	2	
4	YR60253000000	Steel wire hose 7.5"	Assemblies	1	2m
3	YW07001500500	1.5" food pipe clamp	Assembly	1	
2	--	Cyclone main body	Assembly welding	1	
1	--	Lower support	Assembly welding	1	

Title		Drawing no.	
SGF-26E		Cyclone	
Draw	Ver.	App.	Date
Desi.		by	
Check			
App.			
Mark	Before Mod.	After Mod.	Modified by: Date
SHINI		Shini Plastics Technologies, Inc.	
Surface req.		Mat. No.	



26	YW66082200100	Large washer C grade @79.8x4.4x1.0mm			1
25	YW650100000000	Standard spring washer @79.8x4.4x1.0mm			16
24	YW66102000100	Flat washer A grade @79.8x10.2x1.0mm			16
23	YW611025000000	Hex nut column head screw @79.8x10.2x1.0mm			16
22	BR90262800010	Sight plate		PC plate 5mm	3
21	BH10646000010	6x6x60 flat key		45#	1
20	YW610820000000	Hex hex column head screw @79.8x10.2x1.0mm			6
19	YR107080000100	Filter mesh fabricer 700/800G rubber		Rubber	1
18	YW630610000000	Hex solid flat head screw @79.8x10.2x1.0mm			12
17	--	Hook		SUS201	3
16	YW00121000100	New handle SHR-P-12U-A-20			3
15	YW60081600100	Hex bolt @79.8x16.0x4.8mm			4
14	YW50509000300	Gear for motor @79.8x50.0x10.0mm			1
13	--	Base		SPH10.0	1
12	--	2.5" cyclone air outlet		Assembly welding	1
11	--	2.5" cyclone air inlet		Assembly welding	1
10	YW60082000200	Hex bolt @79.8x20.0x8.0mm			5
9	--	2.5" cyclone main body A		Assembly welding	1
8	--	2.5" cyclone main body B		Assembly welding	1
7	YW64000800100	Non-metal insert hex locknut @79.8x11.0mm			8
6	YW660819000000	Flat washer A grade @79.8x10.2x1.0mm			26
5	YW65000800100	Standard spring washer @79.8x4.4x1.0mm			19
4	YW610835000000	Hex nut column head screw @79.8x10.2x1.0mm			4
3	BL52262800420	Motor flange		SUS201	1
2	--	Screw outlet pipe assembly		Assembly welding	1
1	BH10262805110	Screw		SUS201	1
No.	Material number	Name		Mat.	Num. Remarks

Title		Drawing no.	
Rotary Feeder Assembly		SGF-26E	
Ver.	Draw	Scale	1:1
App. by	Desi	Num.	1
Date	Check	Mat.	
Modified by	App	Surface req.	
Mark	Before	Mat No.	

SHINI
 信易電熱機械股份有限公司
 Shini Plastics Technologies, Inc.