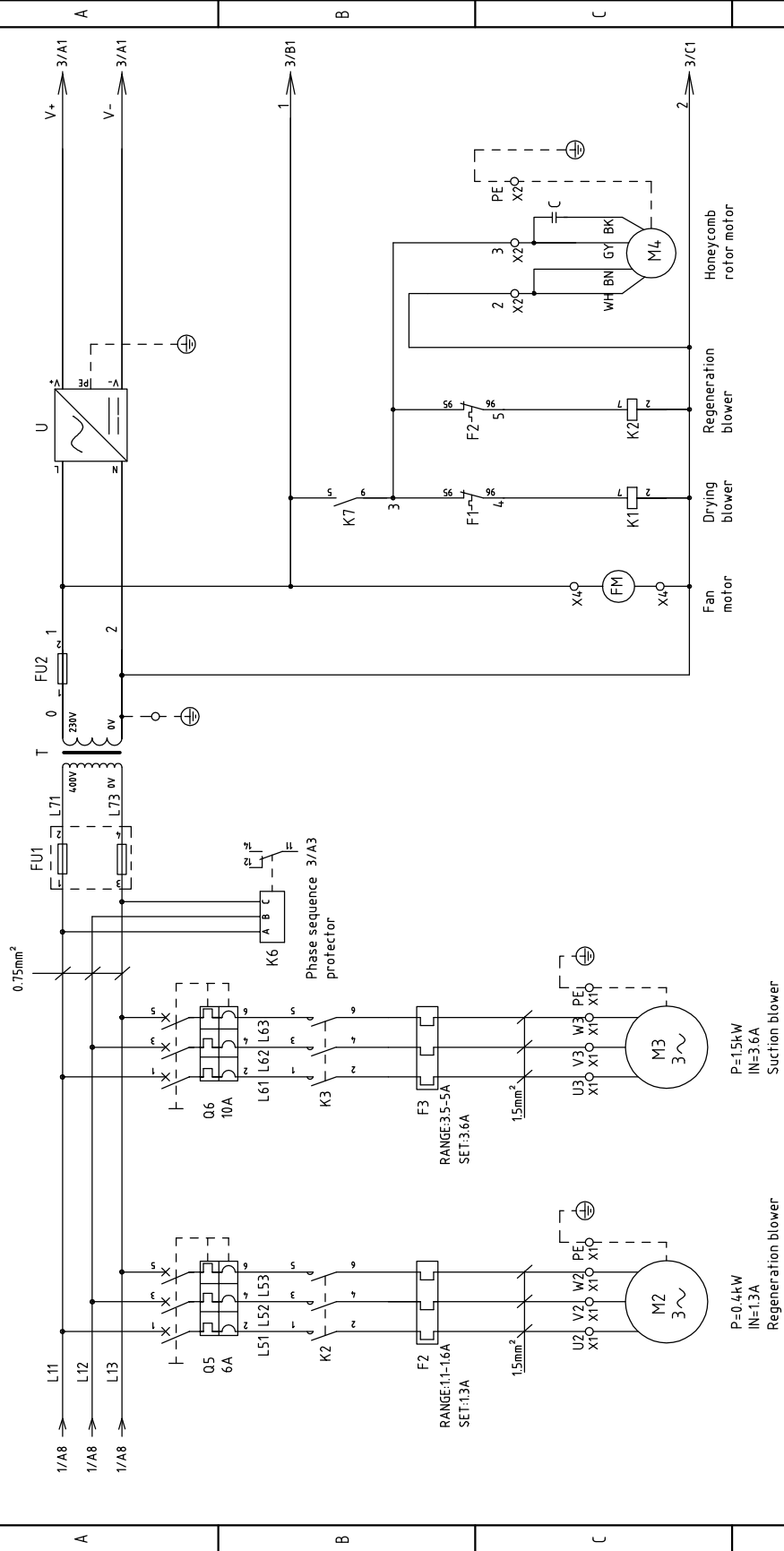


整机版本 Ver.D

Mark	Before modification	After modification	Date	Version	Title	Drawing NO.	Scale	Page 1
	Modified by	Modified by						
Designer	Proofread by	Checked by	Date	Approved by	SCD-200(400)/30H-OP-LC	SCD-200(400)/30H-OP-LC-CE-400V-0-1	Standard	CE
Drawn			20170817		Electrical Diagram 1		Voltage	4.00V
							Frequency	50Hz

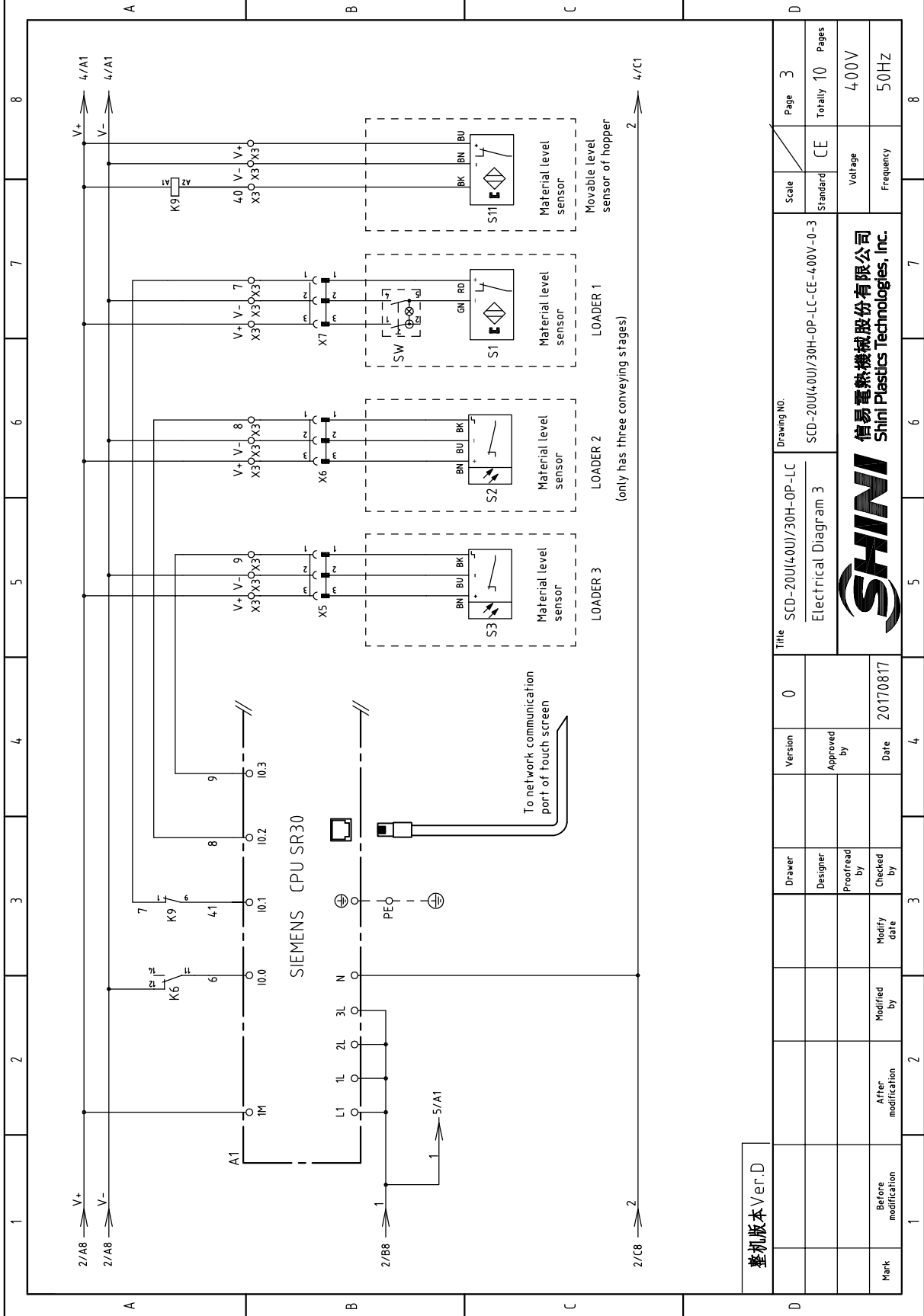




整机版本Ver.D

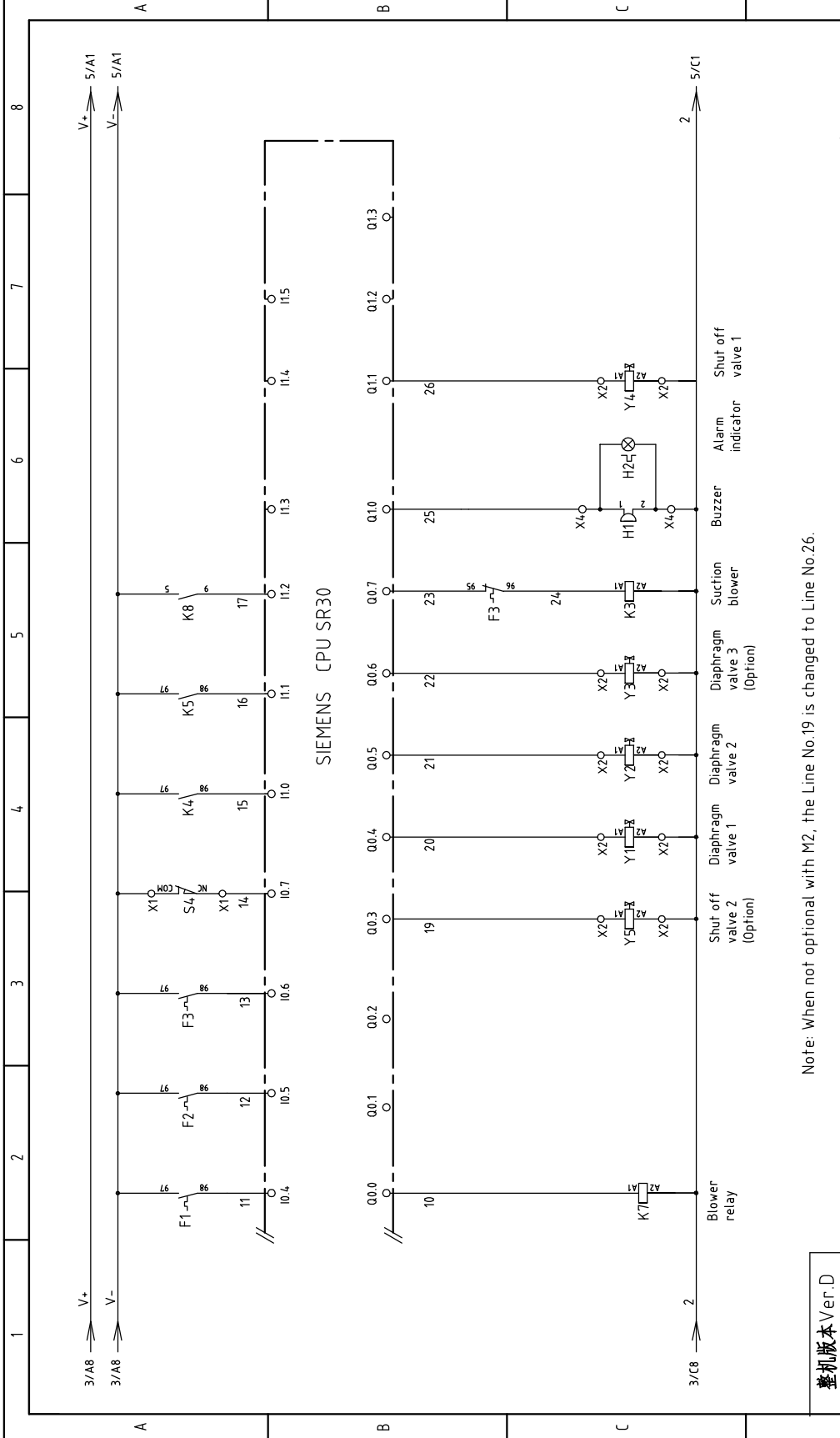
1	2	3	4	5	6	7	8
1	2	3	4	5	6	7	8
Title			Version		Drawing NO.		Page
SCD-200(40U)/30H-OP-LC Electrical Diagram 2			0		SCD-200(40U)/30H-OP-LC-CE-400V-0-2		2
Mark			Designer		Standard		Totally
Before modification			Proofread by		CE		10
After modification			Checked by		Voltage		400V
Modify Date			Date		Frequency		50HZ
20170817			20170817				





整机版本 Ver.D

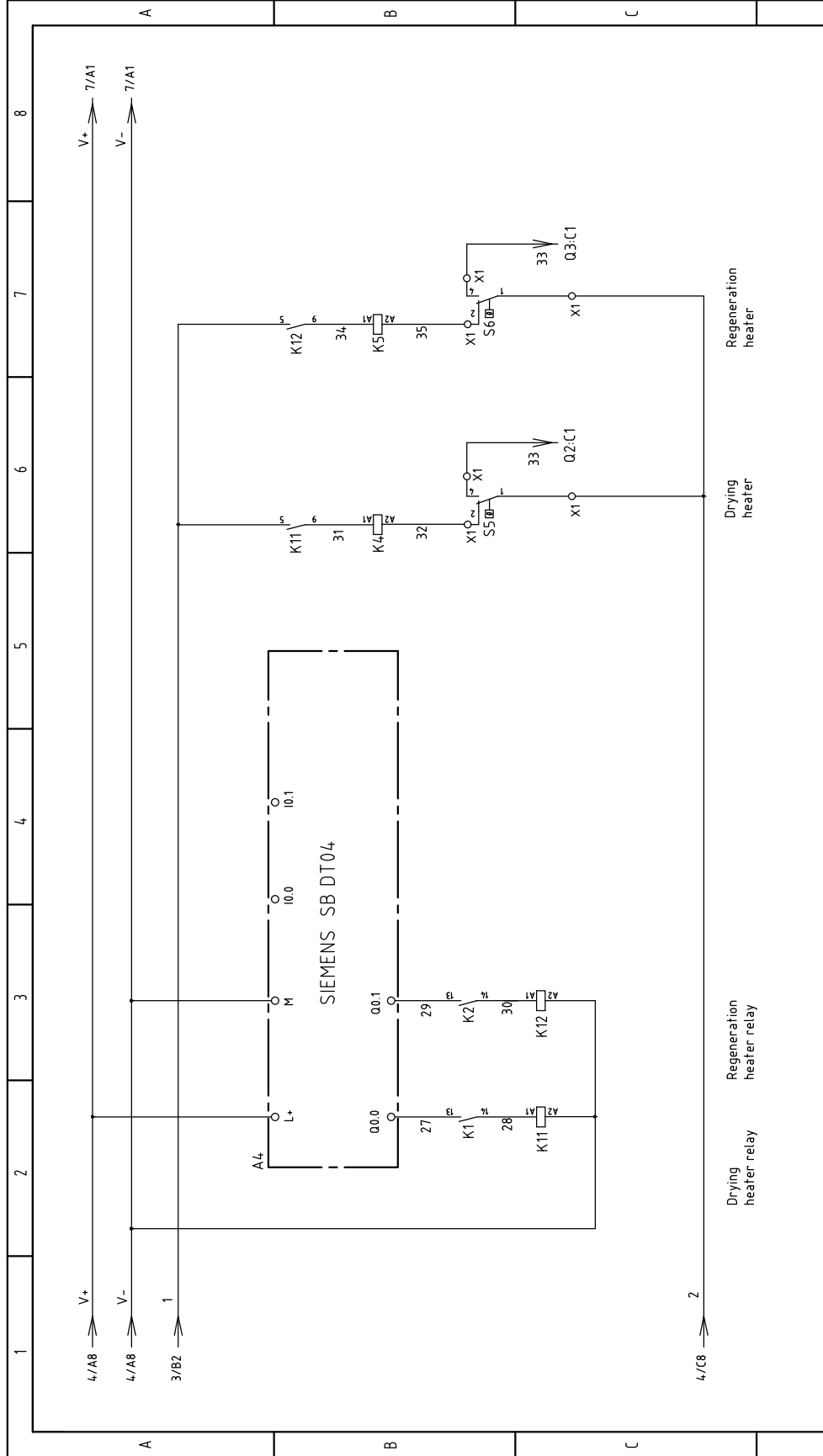
Title		Drawing No.		Page	
SCD-20U(40U)/30H-OP-LC		SCD-20U(40U)/30H-OP-LC-4,00V-0-3		3	
Electrical Diagram 3		Standard		CE	
Voltage		Frequency		400V	
50HZ		Totally		10	
Pages		Pages		8	
Mark		Before modification		After modification	
Date		20170817		Date	
Checked by		Date		Date	
Proofread by		Date		Date	
Designer		Date		Date	
Version		0		Version	
Approved by		Date		Date	
Title		SCD-20U(40U)/30H-OP-LC		Title	
Electrical Diagram 3		Electrical Diagram 3		Electrical Diagram 3	
SHINI		SHINI		SHINI	
信易塑料机械股份有限公司		信易塑料机械股份有限公司		信易塑料机械股份有限公司	
Shini Plastics Technologies, Inc.		Shini Plastics Technologies, Inc.		Shini Plastics Technologies, Inc.	



Note: When not optional with M2, the Line No.19 is changed to Line No.26.

整机版本 Ver.D

Mark	Before modification	After modification	Modify date	Checked by	Proffread by	Designer	Drawer	Version	0	Title	SCD-200(4.0U)/30H-OP-LC Electrical Diagram 4		Scale	Page
								Approved by		Standard	CE	Standard	4	
								Date	20170817	SHINI 信易塑料机械股份有限公司 Shini Plastics Technologies, Inc.		Voltage	4.00V	
										Drawing NO.		Frequency	50HZ	
										SCD-200(4.0U)/30H-OP-LC-CE-4.00V-0-4		Totally	10	
												Pages	4	
1	2	3	4	5	6	7	8							



Mark	Before modification	After modification	Modified by	Modify date	Checked by	Proofofread by	Designer	Drawer	Version	0	Title	SCD-200(400J)/30H-OP-LC Electrical Diagram 5		Drawing NO. SCD-200(400J)/30H-OP-LC-400V-0-5		Scale	Page	5	
				20170817			Approved by							Standard	CE	Totally	10	Pages	
																		400V	
																		50HZ	

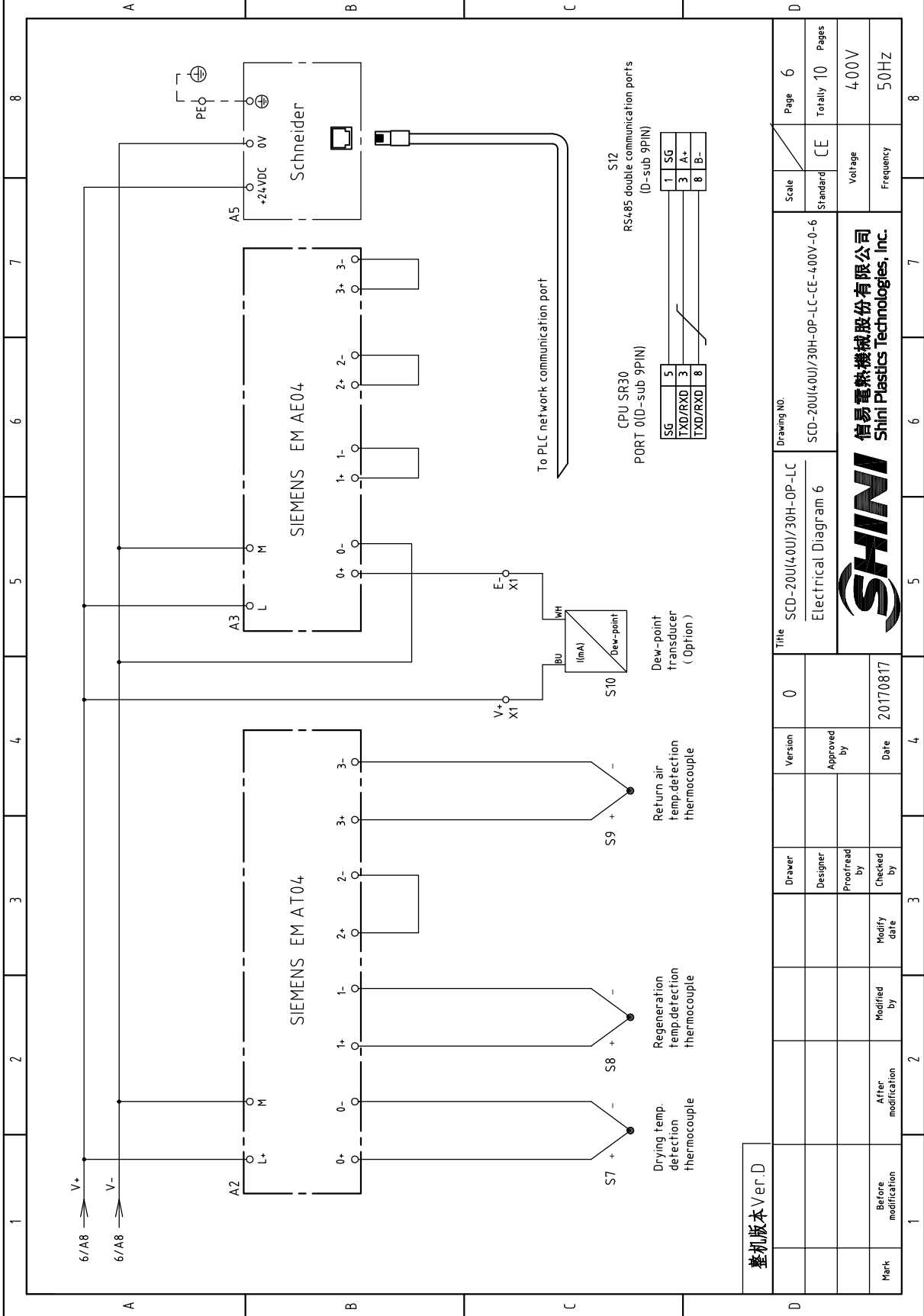
SHINI
信易电热机械股份有限公司
Shini Plastics Technologies, Inc.

整机版本Ver.D

Drying heater relay Regeneration heater relay

Drying heater

Regeneration heater

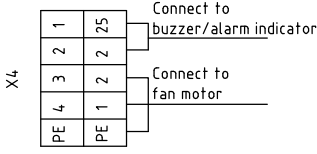
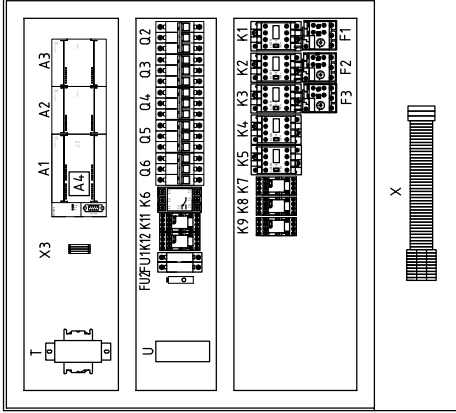
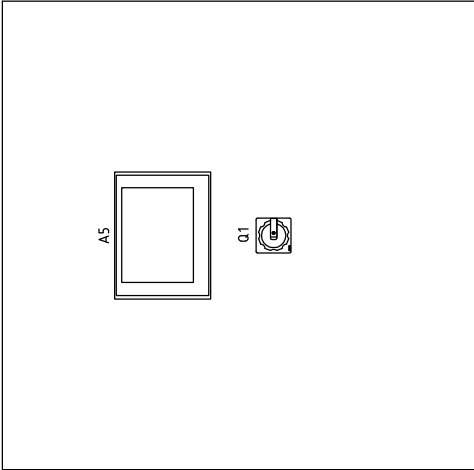


整机版本 Ver.D

Mark	Before modification	After modification	Modified by	Date	20170817	Version	0	Drawer		Title	SCD-200(40U)/30H-OP-LC Electrical Diagram 6	Drawing NO.	SCD-200(40U)/30H-OP-LC-CE-4.00V-0-6	Scale	Standard	Page	6
			Approved by					Designer								Totally	10
			Checked by					Proofread by								Voltage	4.00V
			Modify date													Frequency	50HZ



SG	5	1	SG
TXD/RXD	3	3	A-
TXD/RXD	8	8	B-



X3

40	9	8	7
V+	V+	V+	V+
V-	V-	V-	V-

Connect to material level sensor 1
 Connect to material level sensor 2
 Connect to material level sensor 3
 Connect to material level sensor 4

X2

3	20	21	22	26	19
PE	PE	PE	PE	PE	PE

Connect to shut off valve 2(Option)
 Connect to shut off valve 1
 Connect to diaphragm valve 2(Option)
 Connect to diaphragm valve 2
 Connect to diaphragm valve 1
 Connect to honeycomb rotor motor

X1

28	27	26	25	24	23	22	21	20	19	18	17	16	15	14	13	12	11	10	9	8	7	6	5	4	3	2	1					
V+	E-	V-	V-	V-	14	33	2	2	33	35	U1	V1	W1	PE	U2	PE	U3	V3	W3	PE	U5	V5	W5	PE	U4	V4	W4	PE	L1	L2	L3	PE

Connect to dew point transducer (option)
 Connect to rotor micro switch
 Connect to drying temp. protector
 Connect to regen. temp. protector
 Connect to drying blower
 Connect to regeneration blower
 Connect to suction motor
 Connect to regeneration heater
 Connect to drying heater
 Connect to power lines

整机版本 Ver.D


Mark	Before modification	After modification	Modified by	Modify date	Checked by	Proofread by	Designer	Drawer	Version	0	Title	SCD-20U(40U)/30H-OP-LC	Electrical Components Layout	Standard	Scale	Page	7
									Approved by		SCD-20U(40U)/30H-OP-LC-400V-0-7	CE	CE	Standard	Scale	Totally	10
									Date	20170817	SHINI 信易塑料机械股份有限公司 Shini Plastics Technologies, Inc.		Voltage	400V	Frequency	50HZ	

1	2	3	4	5	6	7	8	
NO.	Symbol	Name	Manufacturer	Type	Specification	Number	Material number	Remark
1	Q1	Main switch	EATON	P1-25/EA/SVB/25A	25A	1	YE10125250000	
2	Q2 Q3 Q6	Circuit-breaker	TECO	BM-63C 3P	10A	3	YE40301003000	
3		Excitation release	TECO	MX	220V 50/60Hz	2	YE40023560000	A
4	Q4 Q5	Circuit-breaker	TECO	BM-63C 3P	6A	2	YE40300603000	
5	K1	Contacto	SIEMENS	3RT6016-1AN21	9A 220V 50/60Hz	1	YE00601621000	
6	K2	Contacto	SIEMENS	3RT6016-1AN21	9A 220V 50/60Hz	1	YE00601621000	
7	K3	Contacto	SIEMENS	3RT6016-1AN21	9A 220V 50/60Hz	1	YE00601621000	
8	K4	Contacto	SIEMENS	3RT6017-1AN21	12A 220V 50/60Hz	1	YE00601721000	
9	K5	Contacto	SIEMENS	3RT6017-1AN21	12A 220V 50/60Hz	1	YE00601721000	
10	K6	Phase relay	CHAOSHI	ABJ-10W	400V 50/60Hz	1	YE03103800000	
11	K7 K8	Relay	WEIDMULLER	DRM270730LT	220V 50/60Hz	2	YE03270700000	B
12	K9 K11 K12	Relay	WEIDMULLER	DRM270724LT	24V DC	3	YE03272400000	
13	F1	Overload relay	SIEMENS	3RU6116-1AB0	1.1-1.6A	1	YE01160110000	
14	F2	Overload relay	SIEMENS	3RU6116-1AB0	1.1-1.6A	1	YE01160110000	
15	F3	Overload relay	SIEMENS	3RU6116-1FB0	3.5-5A	1	YE01160350000	
16	A1	PLC	SIEMENS	CPU SR30 AC/DC/RLY	100-230VAC 50/60Hz	1	YE81003006000	
17	A2	PLC Analog module	SIEMENS	4-point Thermocouple Temp. module EM AI104.	--	1	YE82000400300	
18	A3	PLC Analog module	SIEMENS	4-point input analog quantity module EM AE04	--	1	YE82000400100	(2)
19	A4	PLC Analog module	SIEMENS	Circuit board for signal expansion SB DT104	--	1	YE90000401300	C
20	A5	Human-machine interface	SCHNEIDER	GX03512	24VDC	1	YE80351200200	
21	FU1	Fuse base	CHINT	RT18-32	2P	1	YE41032200000	
22		Fuse	CHINT	10×38 500V	2A	2	YE46002000100	
23	FU2	Fuse	YINDA	FS-10	2A	1	YE41001000000	
24	T	Transformer	--	--	IN=400V OUT=230V 500mA	1	YE70402300800	
25	U	DC power	MEAN WELL	NES-35-24	OUT=DC24V 1.5A	1	YE71352400100	

整机版本 Ver.D Notes: (1)Means it's not the material inside the control box. (2)Stands for optional.

Scale	Page 8
Standard	Totally 10 Pages
Voltage	4.00V
Frequency	50Hz

Drawing NO. SCD-200(4.0U)/30H-OP-LC-CE-4.00V-0-8
Electrical Components List 1



信易塑料机械股份有限公司
Shini Plastics Technologies, Inc.

Version	0
Approved by	
Date	20170817

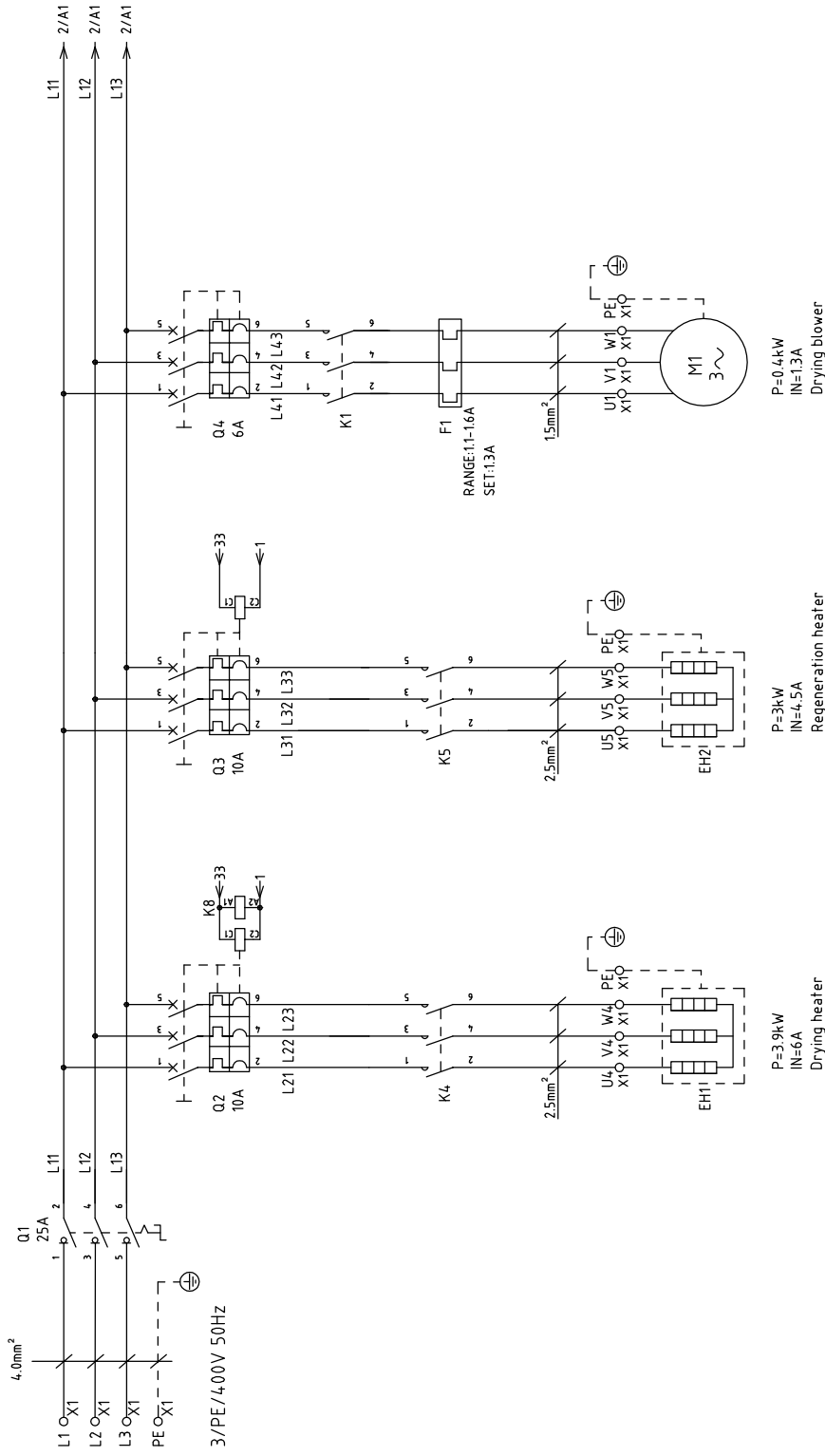
Drawer	Designer	Proofread by	Checked by	Modify date

1 Before modification
2 After modification
3 Modified by
4 Date

1		2		3		4		5		6		7		8			
NO.	Symbol	Name	Manufacturer	Type	Specification	Number	Material number	Remark									
26	S1	Reed switch	FOTEK	FC-12V	24VDC	1	-----	(1)									
27	S2 S3	Photoelectric switch	FOTEK	T18-3MNB-PE	24VDC	2	-----	(1)									
28	S11	Capacitive proximity switch	IFM	KI 5082	10-36VDC	1	-----	(1)									
29	S4	Micro switch	TEND	LXW5-11G1	250V 5(4)A	1	-----	(1)									
30	S5 S6	Temperature protector	----	-----	250V 5(4)A	2	-----	(1)									
31	S7 S8 S9	Thermocouple	SHINI	ST-K	K	3	-----	(1)									
32	S10	Dew-point transducer	CS	CS 217-OEM	POWER=24VDC OUT=4-20mA	1	YE90021700100	(1) (2)									
33	Y1-Y4	Solenoid valve	----	MSFW-230-50/60	220V 50/60Hz	4	-----	(1)									
34	H1	Buzzer	HITPOINT	PF-35A	60-250V	1	YE84003500200	(1)									
35	H2	Alarm indicator	SHINI	LED-3051	220V 50/60Hz	1	YE83305100200	(1)									
36	X1 X2 X4	Terminal board	----	4mm ²	41A 690V	18	YE60000403200	(1)									
37				4mm ² PE	-	6	YE60000403500	(1)									
38				2.5mm ²	32A 690V	20	YE60002503200	(1)									
39				2.5mm ² PE	-	5	YE60002503400	(1)									
40				2.5mm ²	32A 690V	6	YE60002503200	(2)									
41				2.5mm ² PE	-	2	YE60002503400	(2)									
42	X3	Terminal board	----	Terminal SK2.5-TL	10A 250V	4	YE60002503600	(1)									
43					10A 250V	4	YE60001000200	(1)									
44					10A 250V	4	YE60002503600	(1)									
45	X5 X6 X7	Heavy duty connector	WEIN	HDC-HA-004.1	4P 10A	3	YE68041000100	(1)									
46	FM	Fan	SUNON	DP-200A	230VAC 40W	1	YM60121200400	(1)									
47	S12	Communication interface board (double Dsub-9pin connector)	----	----	----	1	YE90048501200	(1)									
48					----	1	YR4.00485000000	(1)									
49	M1 M2	Blower	SHINI	----	400V 0.4kW	2	-----	(1)									
50	M3	Blower	SHINI	----	400V 1.5kW	1	-----	(1)									
整机版本 Ver.D Notes: (1)Means it's not the material inside the control box. (2)Stands for optional.																	
				Drawer	Version		0		Title		Drawing NO.		Scale		Page		
				Designer	Approved by				SCD-200(400)/30H-OP-LC		SCD-200(400)/30H-OP-LC-CE-400V-0-9		Standard		CE		
				Proofread by					Electrical Components List 2				Voltage		4.00V		
				Checked by	Date		20170817						Frequency		50Hz		
Mark		Before modification		After modification		Modify date											
1		2		3		4		5		6		7		8			



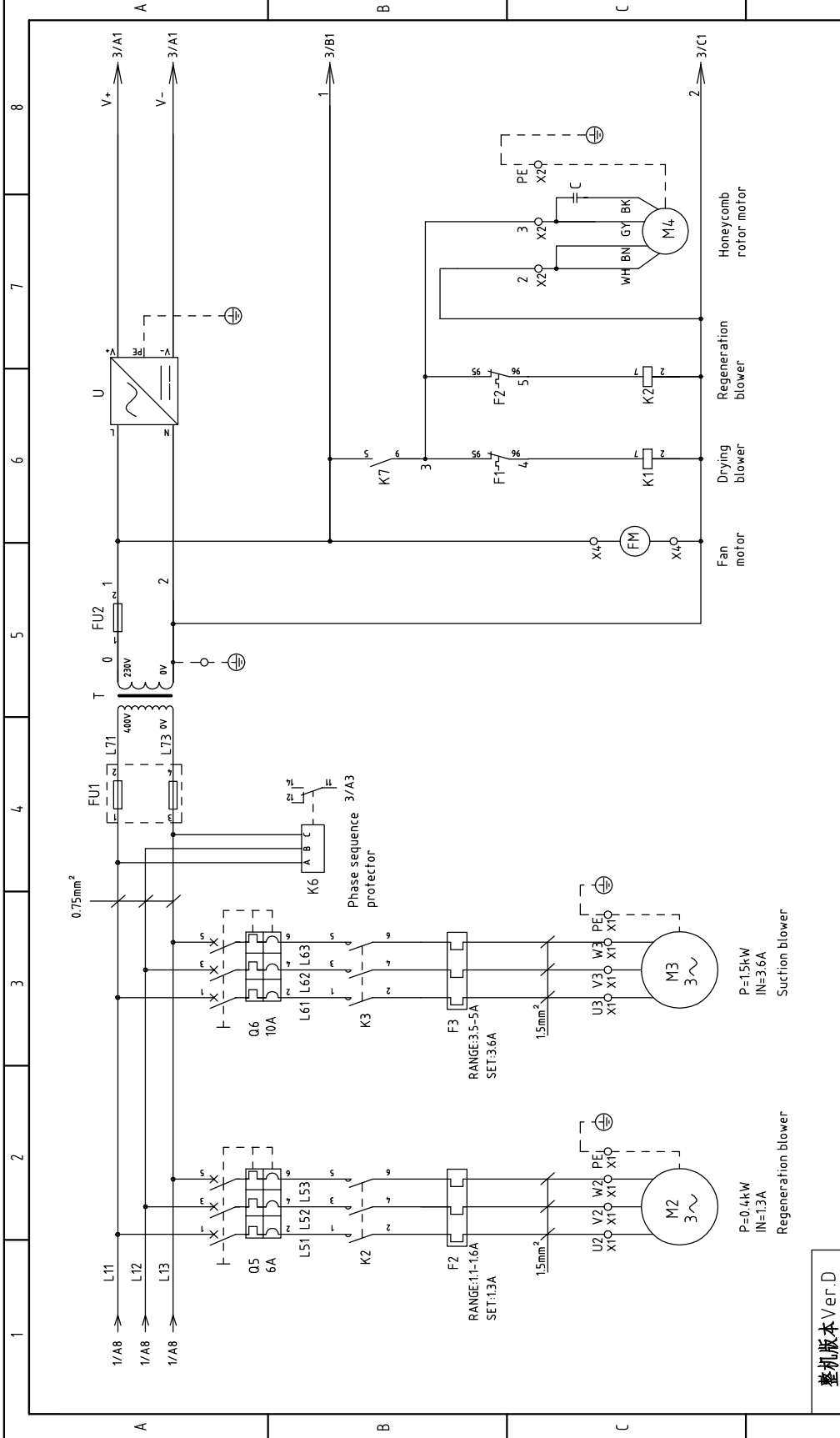
1		2		3		4		5		6		7		8	
NO.	Symbol	Name	Manufacturer	Type	Specification	Number	Material number	Remark							
50	M4	Motor	----	-----	230V 0.015kW	1	-----	(1)							
51	EH1EH2	Heater	SHINI	-----	400V 3kW	2	-----	(1)							
A															
B															
C															
D															
整机版本 Ver.D Notes: (1)Means it's not the material inside the control box. (2)Stands for optional.															
Title SCD-20U(40U)/30H-OP-LC Electrical Components List 3										Drawing NO. SCD-20U(40U)/30H-OP-LC-CE-400V-0-10		Scale Standard CE		Page 10 Totaly 10 Pages	
Designer Proofread by			Version 0 Approved by			Date 20170817			Voltage 4.00V		Frequency 50Hz				
Modified by Modify date			Checked by			Date			Voltage 4.00V		Frequency 50Hz				
SHINI 信易电热机械股份有限公司 Shini Plastics Technologies, Inc.															
1 2 3 4 5 6 7 8															



整机版本 Ver.D

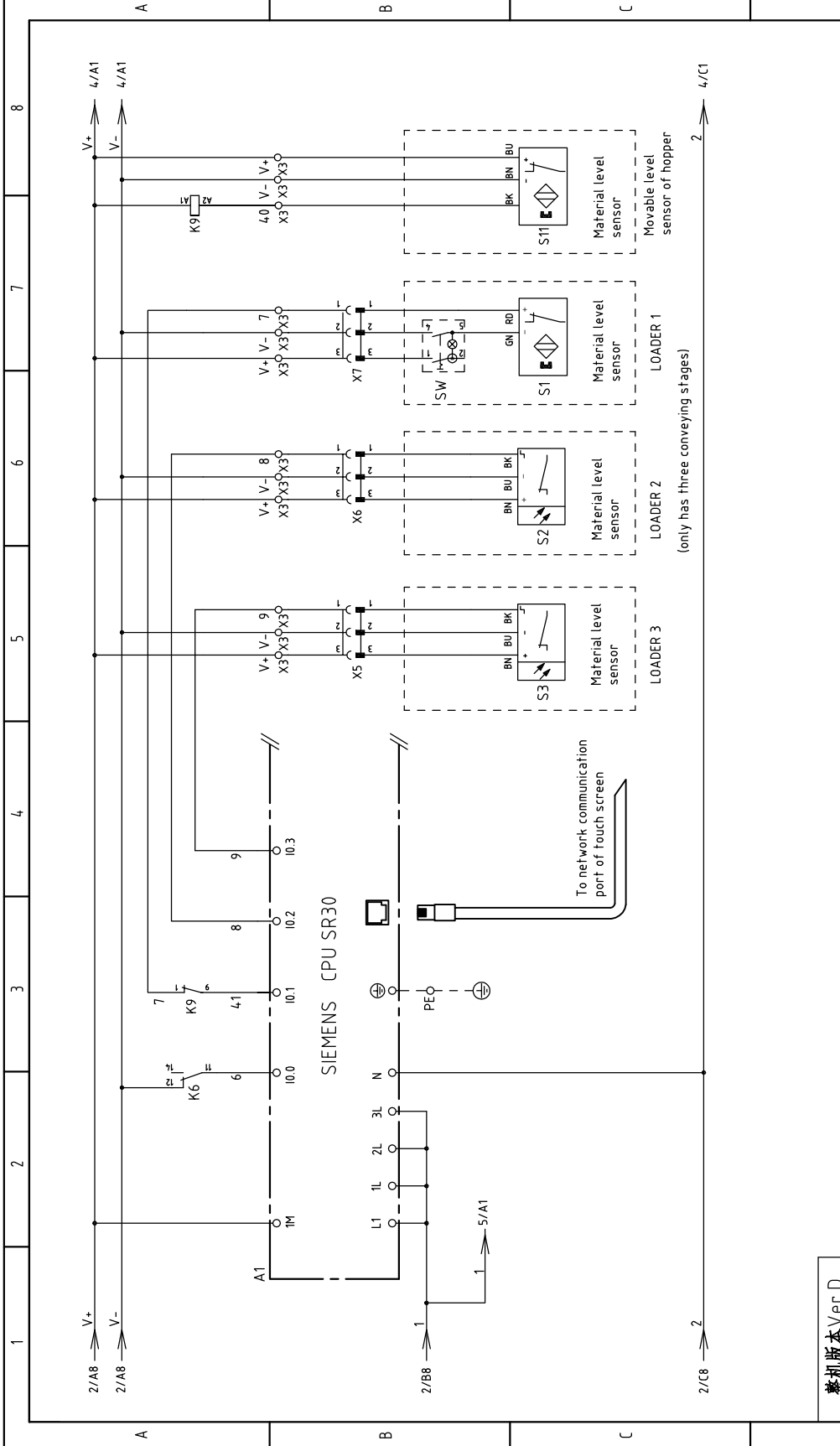
Mark	Before modification	After modification	Modify date	Checked by	Date	Version	0	Title	Drawing No.		Page 1
									SCD-80U/50H-OP-LC		
								Electrical Diagram 1		Standard	Totally 10
								SCD-80U/50H-OP-LC-CE-400V-0-1		CE	Pages
										Voltage	400V
										Frequency	50Hz

SHINI
信易塑料机械股份有限公司
Shini Plastics Technologies, Inc.



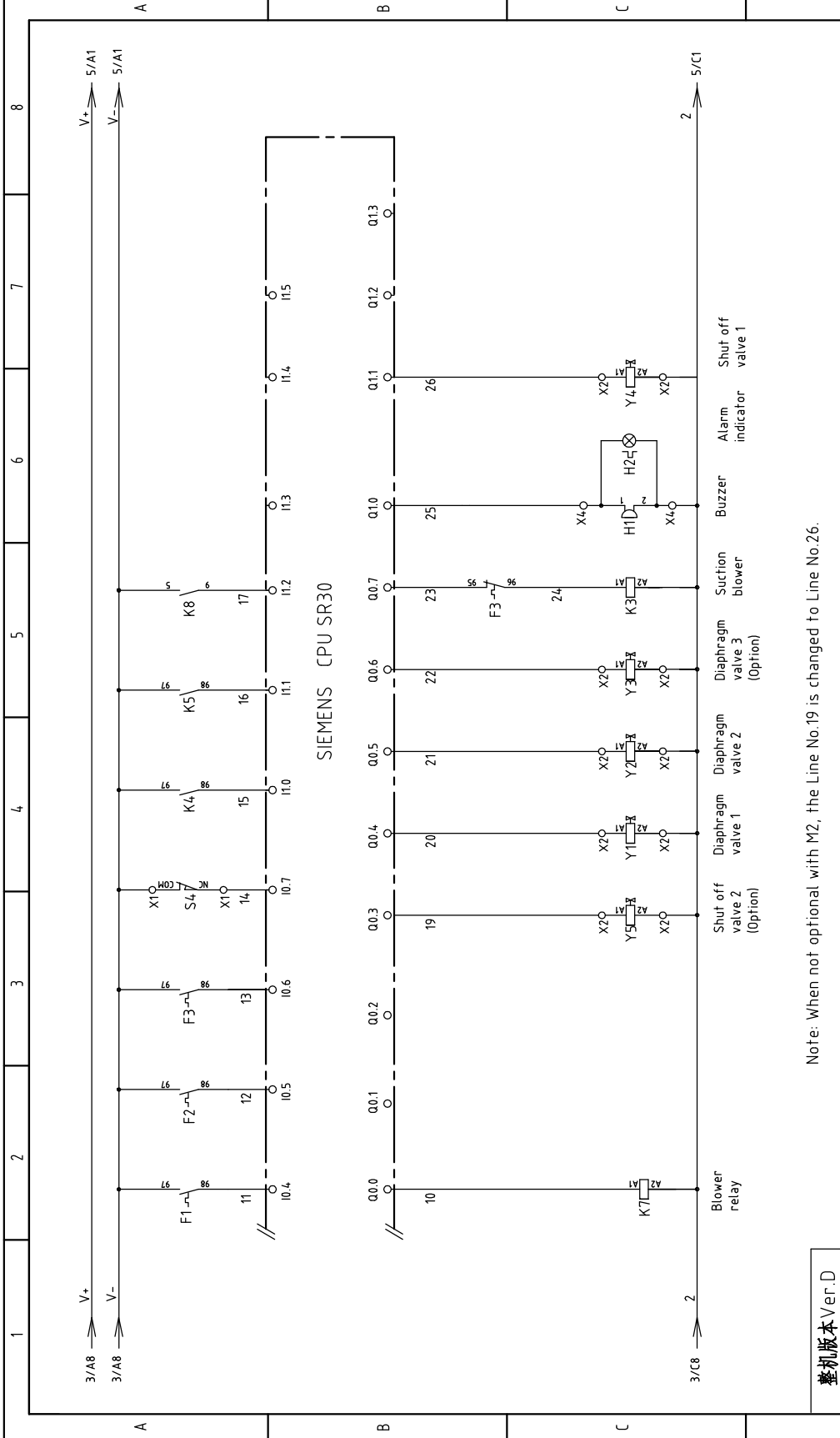
整机版本 Ver.D

Title		Version		Drawing No.		Scale		Page	
SCD-80U/50H-OP-LC		0		SCD-80U/50H-OP-LC-CE-400V-0-2		Standard		2	
Electrical Diagram 2		Approved by		CE		Voltage		Totally 10 Pages	
		Date		400V		Frequency		50HZ	
Mark		Before modification		After modification		Modify Date		Date	
								20170817	
SHINI		SHINI		SHINI		SHINI		SHINI	
信易塑料机械股份有限公司		信易塑料机械股份有限公司		信易塑料机械股份有限公司		信易塑料机械股份有限公司		信易塑料机械股份有限公司	
Shini Plastics Technologies, Inc.		Shini Plastics Technologies, Inc.		Shini Plastics Technologies, Inc.		Shini Plastics Technologies, Inc.		Shini Plastics Technologies, Inc.	
1		2		3		4		5	
6		7		8		9		10	



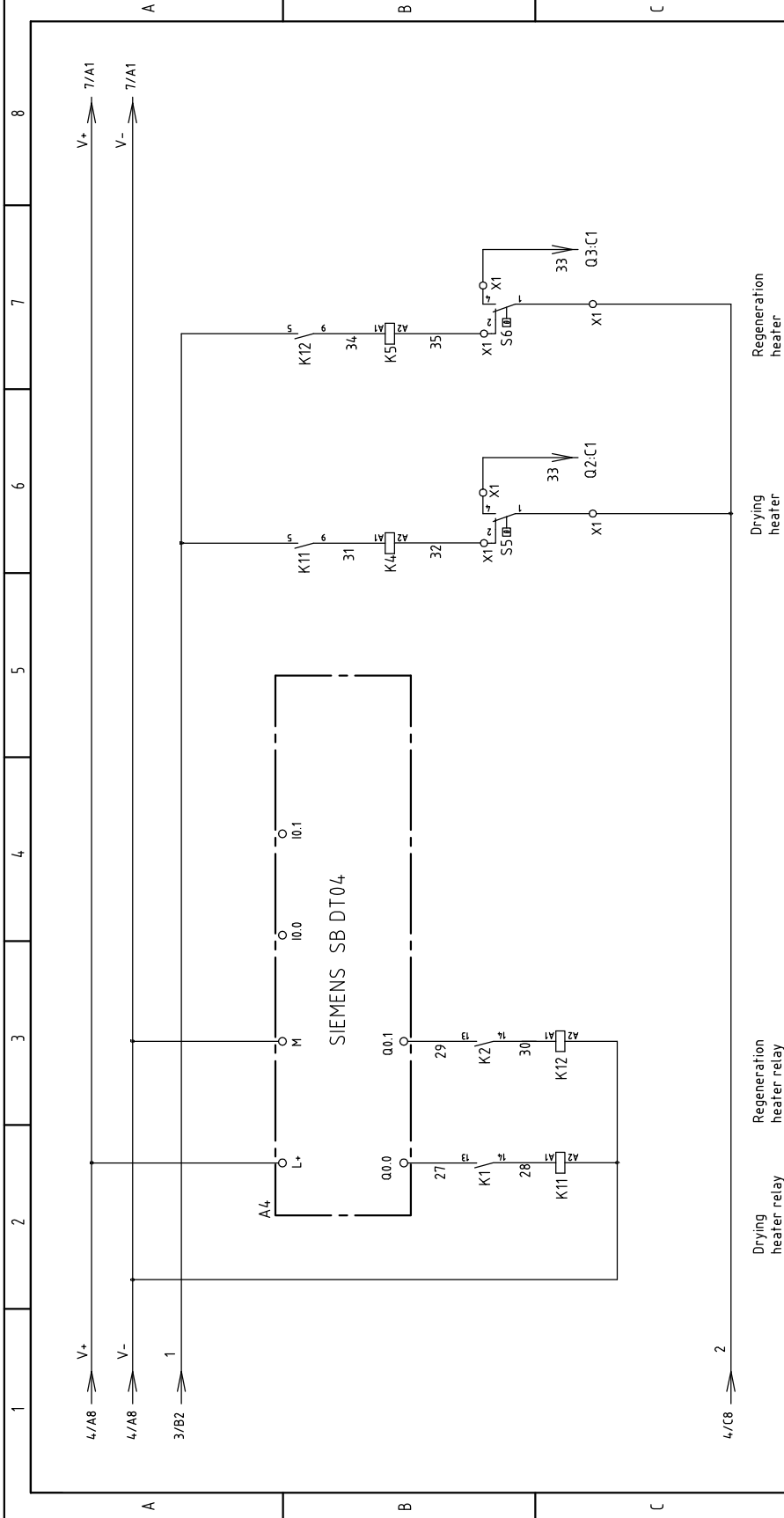
整机版本 Ver.D

Title		Drawing NO.		Scale	Page
SCD-80U/50H-OP-LC		SCD-80U/50H-OP-LC-CE-400V-0-3		Standard	Totally 10
Electrical Diagram 3				CE	Pages
				Voltage	400V
				Frequency	50HZ
Version		Date		8	
0		20170817			
Drawer	Designer	Proofread by	Checked by		
Modified by	After modification	Before modification			
Mark	1	2	3	4	5
SHINI		信易塑料机械股份有限公司		Shini Plastics Technologies, Inc.	



整机版本 Ver.D		Drawing NO.		Page	4
		Title		Scale	Totally
		Version		Standard	10
		Designer		Voltage	
		Proofread by		Frequency	
		Checked by		400V	
		Modify Date		50HZ	
		Date		CE	
		20170817		Shini	
		3		Shini Plastics Technologies, Inc.	
		4		7	
		5		8	
		6		9	
		7		10	
		8		11	
		9		12	
		10		13	
		11		14	
		12		15	
		13		16	
		14		17	
		15		18	
		16		19	
		17		20	
		18		21	
		19		22	
		20		23	
		21		24	
		22		25	
		23		26	
		24		27	
		25		28	
		26		29	
		27		30	
		28		31	
		29		32	
		30		33	
		31		34	
		32		35	
		33		36	
		34		37	
		35		38	
		36		39	
		37		40	
		38		41	
		39		42	
		40		43	
		41		44	
		42		45	
		43		46	
		44		47	
		45		48	
		46		49	
		47		50	
		48		51	
		49		52	
		50		53	
		51		54	
		52		55	
		53		56	
		54		57	
		55		58	
		56		59	
		57		60	
		58		61	
		59		62	
		60		63	
		61		64	
		62		65	
		63		66	
		64		67	
		65		68	
		66		69	
		67		70	
		68		71	
		69		72	
		70		73	
		71		74	
		72		75	
		73		76	
		74		77	
		75		78	
		76		79	
		77		80	
		78		81	
		79		82	
		80		83	
		81		84	
		82		85	
		83		86	
		84		87	
		85		88	
		86		89	
		87		90	
		88		91	
		89		92	
		90		93	
		91		94	
		92		95	
		93		96	
		94		97	
		95		98	
		96		99	
		97		100	

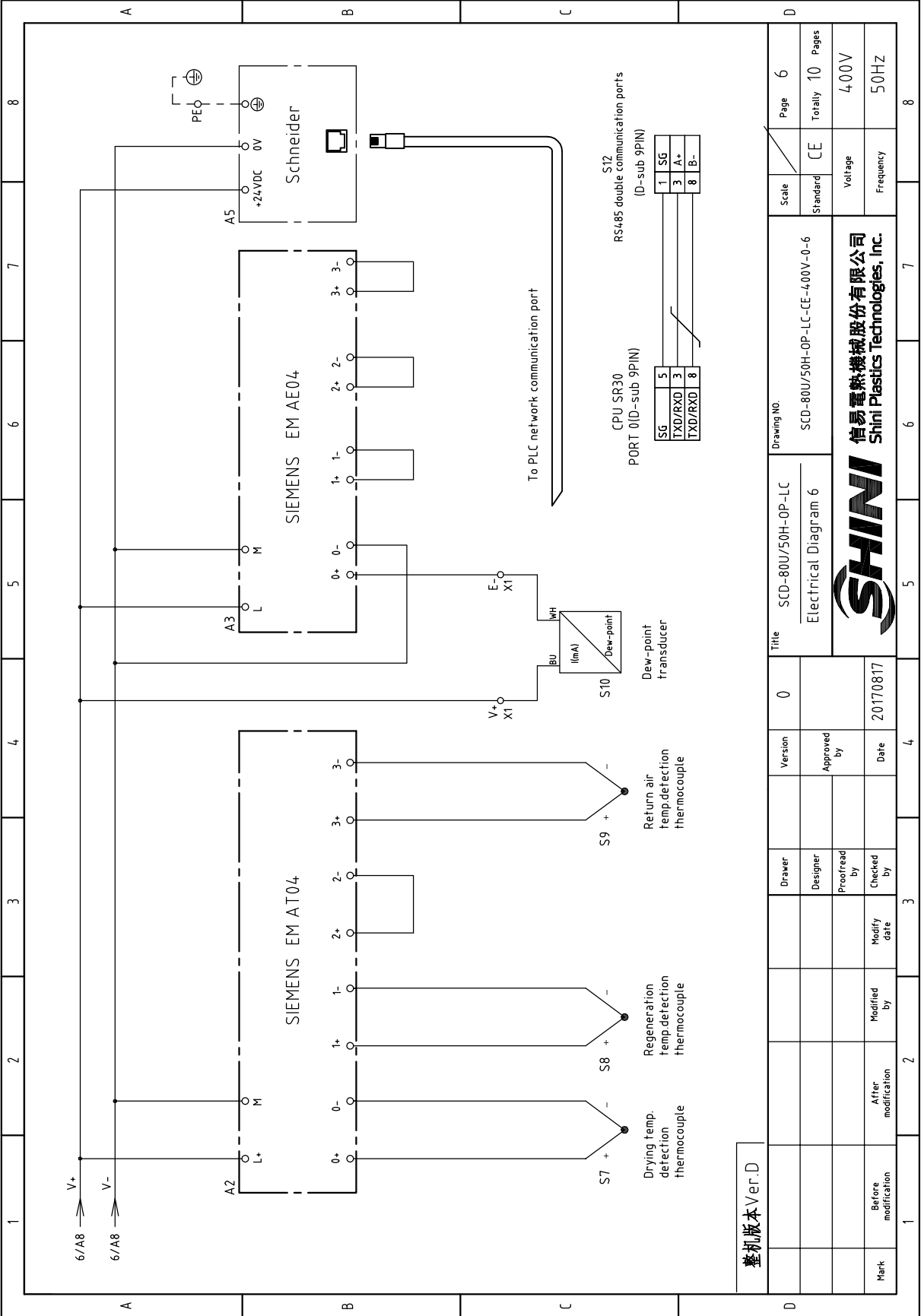
Note: When not optional with M2, the Line No.19 is changed to Line No.26.



整机版本 Ver.D

Title		SCD-80U/50H-OP-LC		Drawing NO.		Scale		Page	
Electrical Diagram 5		SCD-80U/50H-OP-LC-CE-400V-0-5		Standard		CE		Totally 10 Pages	
Version		0		Approved by		Voltage		400V	
Designer		Date		Checked by		Frequency		50HZ	
Proofread by		20170817		Modify Date		Before modification		After modification	
Mark		1		2		3		4	
5		6		7		8		8	

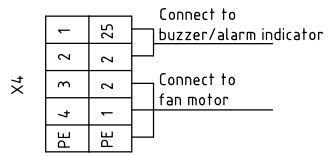
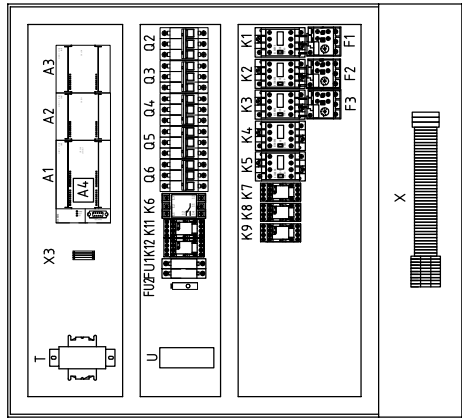
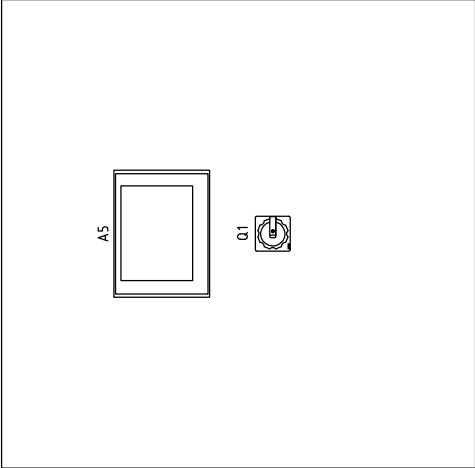




整机版本 Ver.D

Title		SCD-80U/50H-OP-LC		Drawing NO.		Page	
Electrical Diagram 6		SCD-80U/50H-OP-LC-CE-4.00V-0-6		Standard		CE	
Version		0		Standard		Voltage	
Approved by				Standard		400V	
Date		20170817		Standard		Frequency	
Date				Standard		50HZ	
Designer				Standard		Voltage	
Proofread by				Standard		Frequency	
Checked by				Standard		400V	
Modify Date				Standard		50HZ	
After modification				Standard		Voltage	
Before modification				Standard		Frequency	
Mark				Standard		400V	
				Standard		50HZ	





X3

40	9	8	7	
V+	V+	V+	V+	
V-	V-	V-	V-	

Connect to material level sensor 1
Connect to material level sensor 2
Connect to material level sensor 3
Connect to material level sensor 4

X2

3	20	21	22	26	19	PE	PE	PE
2	2	2	2	2	2	PE	PE	PE

Connect to shut off valve 2(Option)
Connect to shut off valve 1
Connect to diaphragm valve 3(Option)
Connect to diaphragm valve 2
Connect to diaphragm valve 1
Connect to honeycomb rotor motor

X1

28	27	26	25	24	23	22	21	20	19	18	17	16	15	14	13	12	11	10	9	8	7	6	5	4	3	2	1	PE	
V+	E-	V-	V-	V-	14	33	2	33	35	U1	V1	W1	PE	U2	V2	W2	PE	U3	V3	W3	PE	U5	V5	W5	PE	U4	V4	W4	PE

Connect to regen. temp. protector
Connect to drying temp. protector
Connect to rotor micro switch
Connect to dew point transducer (option)
Connect to drying blower
Connect to regeneration blower
Connect to suction motor
Connect to regeneration heater
Connect to drying heater
Connect to power lines

整机版本 Ver.D

Mark	Before modification	After modification	Modified by	Modify date	Checked by	Date	Approved by	Version	Title	Drawing NO.	Scale	Page
	1	2									Standard	7
Electrical Components Layout											Standard	Totally
SCD-80U/50H-OP-LC											CE	10
SCD-80U/50H-OP-LC-CE-400V-0-7											Voltage	Pages
											400V	10
											Frequency	50Hz
											8	8

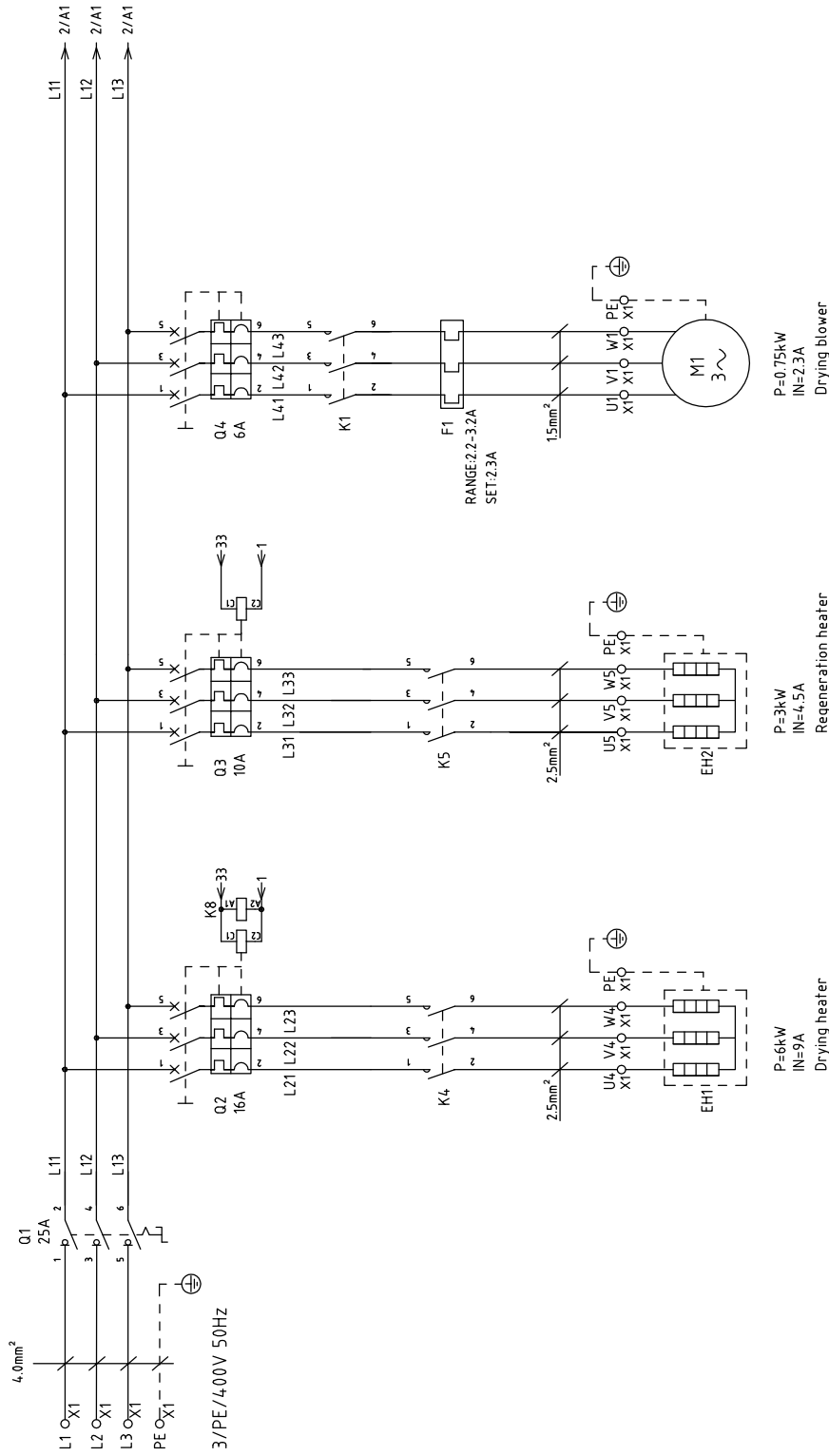


1	2		3	4	5	6	7	8
NO.	Symbol	Name	Manufacturer	Type	Specification	Number	Material number	Remark
1	Q1	Main switch	EATON	P1-25/EA/SVB/25A	25A	1	YE10125250000	
2	Q2 Q3 Q6	Circuit-breaker	TECO	BM-63C 3P	10A	3	YE40301003000	
3		Excitation release	TECO	MX	220V 50/60Hz	2	YE40023560000	A
4	Q4 Q5	Circuit-breaker	TECO	BM-63C 3P	6A	2	YE40300603000	
5	K1 K2 K3	Contact	SIEMENS	3RT6016-1AN21	9A 220V 50/60Hz	3	YE00601621000	
6	K4	Contact	SIEMENS	3RT6017-1AN21	12A 220V 50/60Hz	1	YE00601721000	
7	K5	Contact	SIEMENS	3RT6017-1AN21	12A 220V 50/60Hz	1	YE00601721000	
8	K6	Phase relay	CHAOSHI	ABJ-10W	400V 50/60Hz	1	YE03103800000	
9	K7 K8	Relay	WEIDMULLER	DRM270730LT	220V 50/60Hz	2	YE03270700000	
10	K9 K11 K12	Relay	WEIDMULLER	DRM270724LT	24V DC	3	YE03272400000	
11	F1	Overload relay	SIEMENS	3RU6116-1AB0	1.1-1.6A	1	YE01160110000	B
12	F2	Overload relay	SIEMENS	3RU6116-1AB0	1.1-1.6A	1	YE01160110000	
13	F3	Overload relay	SIEMENS	3RU6116-1FB0	3.5-5A	1	YE01160350000	
14	A1	PLC	SIEMENS	CPU SR30 AC/DC/RLY	100-230VAC 50/60Hz	1	YE81003006000	
15	A2	PLC Analog module	SIEMENS	4-point thermocouple temp. module EM AT04	--	1	YE82000400300	
16	A3	PLC Analog module	SIEMENS	4-point input analog quantity module EM AE04	--	1	YE82000400100	(2)
17	A4	PLC Analog module	SIEMENS	Circuit board for signal expansion SB DT04	--	1	YE90000401300	
18	A5	Human-machine interface	SCHNEIDER	GX03512	24VDC	1	YE80351200200	
19	FU1	Fuse base	CHINT	RT18-32	2P	1	YE41032200000	
20	FU2	Fuse	CHINT	10*38 500V	2A	2	YE46002000100	
21	FU2	Fuse	YINDA	FS-10	2A	1	YE41001000000	
22	T	Transformer	--	--	IN=400V OUT=230V 500mA	1	YE70402300800	
23	U	DC power	MEAN WELL	NES-35-24	OUT=DC24V 1.5A	1	YE71352400100	
24	S1	Reed switch	FOTEK	FC-12V	24VDC	1	-----	(1)
25	S2 S3	Photoelectric switch	FOTEK	T18-3MNB-PE	24VDC	2	-----	(1)
整机版本 Ver.D Notes: (1)Means it's not the material inside the control box. (2)Stands for optional.								
D				SHINI 信易塑料机械股份有限公司 Shini Plastics Technologies, Inc.		SCD-80U/50H-OP-LC Electrical Components List 1		SCD-80U/50H-OP-LC-CE-400V-0-8
Mark				Before modification	After modification	Modified by	Modify date	Date
Scale				Standard	CE	Voltage	Frequency	Page
Totally				10	Pages	4.00V	50Hz	8

1		2		3		4		5		6		7		8	
NO.	Symbol	Name	Manufacturer	Type	Specification	Number	Material number	Remark							
26	S11	Capacitive proximity switch	IFM	KI 5082	10~36VDC	1	-----	(1)							
27	S4	Micro switch	TEND	LXW5-11G1	250V 5(4)A	1	-----	(1)							
28	S5 S6	Temperature protector	----	-----	250V 5(4)A	2	-----	(1)							
29	S7 S8 S9	Thermocouple	SHINI	ST-K	K	3	-----	(1)							
30	S10	Dew-point transducer	CS	CS Z17-OEM	POWER=24VDC OUT=4~20mA	1	YE90021700100	(1) (2)							
31	Y1-Y4	Solenoid valve	----	MSFW-230-50/60	220V 50/60Hz	4	-----	(1)							
32	H1	Buzzer	HITPOINT	PF-35A	60-250V	1	YE84.003500200	(1)							
33	H2	Alarm indicator	SHINI	LED-3051	220V 50/60Hz	1	YE83305100200	(1)							
34	X1 X2 X4	Terminal board	----	4mm ²	41A 690V	18	YE60000403200	(1)							
35				4mm ² PE	-	6	YE60000403500	(1)							
36				2.5mm ²	32A 690V	20	YE60002503200	(1)							
37				2.5mm ² PE	-	6	YE60002503400	(1)							
38				2.5mm ²	32A 690V	6	YE60002503200	(2)							
39				2.5mm ² PE	-	2	YE60002503400	(2)							
40	X3	Terminal board	----	Terminal SK2.5-TL	10A 250V	4	YE60002503600	(1)							
41				FBSTB 10-ZDIK RD	10A 250V	4	YE60001000200	(1)							
42				SK2.5-TL	10A 250V	4	YE60002503600	(1)							
43	X5 X6 X7	Heavy duty connector	WEIN	HDC-HA-004.1	4P 10A	3	YE68041000100	(1)							
44	FM	Fan	SUNON	DP-200A	230VAC 40W	1	YM60121200400	(1)							
45	S12	Communication interface board RS-485 (double Disub-9pin connector)	----	----	----	1	YE90048501200	(1)							
46				Shell RS485(SAL-700G-A-1910)	----	1	YR40048500000	(1)							
47	M1	Blower	SHINI	-----	400V 0.4kW	1	-----	(1)							
48	M2	Blower	SHINI	-----	400V 0.4kW	1	-----	(1)							
49	M3	Blower	SHINI	-----	400V 1.5kW	1	-----	(1)							
50	M4	Motor	----	-----	230V 0.015kW	1	-----	(1)							
整机版本 Ver.D									Notes: (1)Means it's not the material inside the control box. (2)Stands for optional.						
				Drawer		Version	0	Title	SCD-80U/50H-OP-LC		Drawing NO.		Scale	Page 9	
				Designer		Approved by		Electrical Components List 2		SCD-80U/50H-OP-LC-CE-400V-0-9		Standard	CE	Totally	10 Pages
				Proofread by		Date	20170817					Voltage	4.00V		
				Checked by								Frequency	50Hz		
Mark	Before modification	After modification	Modified by	Modify date											
1	2	3	4	5	6	7	8								



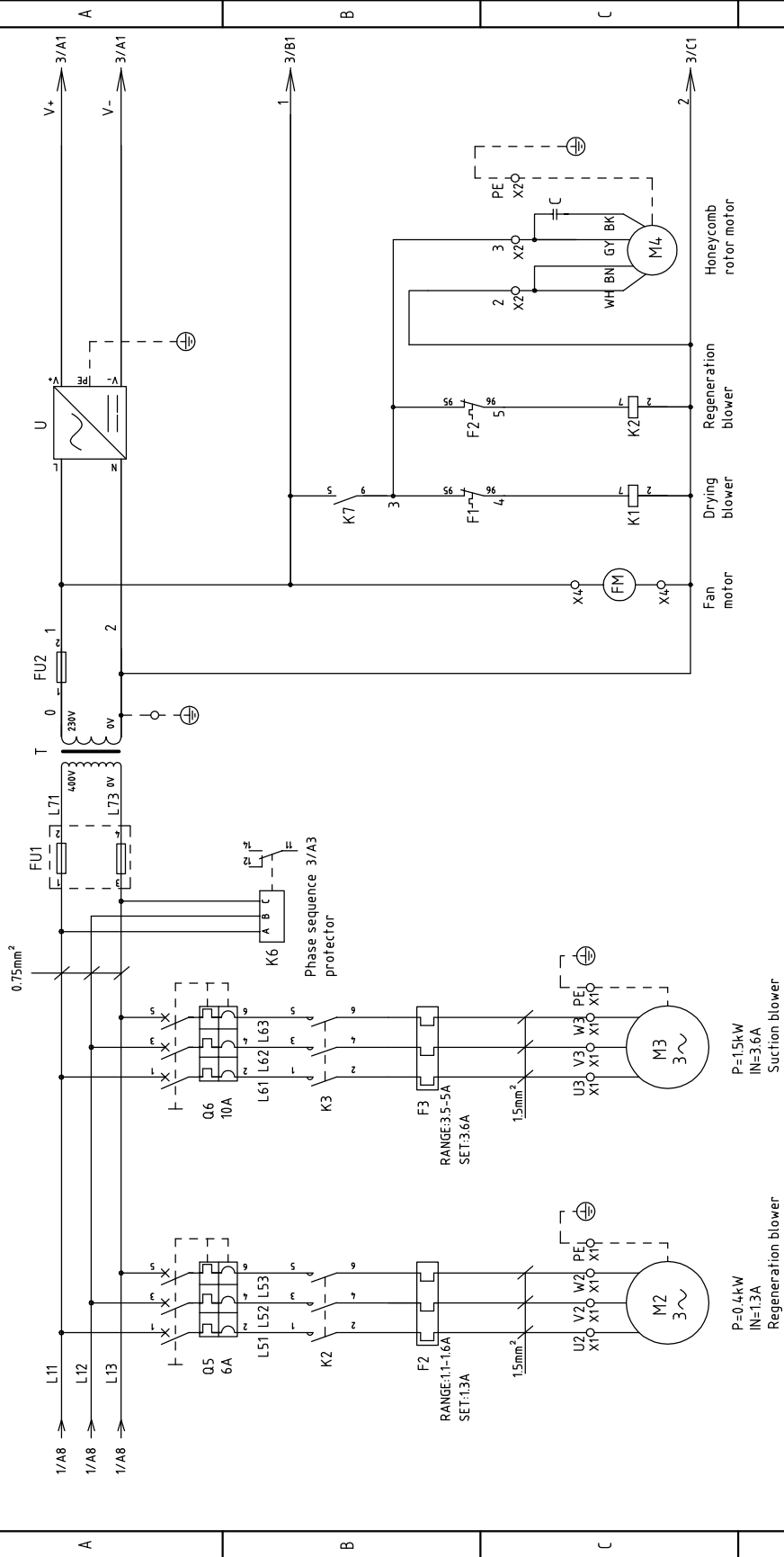
1	2		3	4	5	6	7	8	
NO.	Symbol	Name	Manufacturer	Type	Specification	Number	Material number	Remark	
51	EH1	Heater	SHINI	-----	400V 3.9kW	1	-----	(1)	
52	EH2	Heater	SHINI	-----	400V 3kW	1	-----	(1)	
A									
B									
C									
D									
整机版本 Ver.D Notes: (1)Means it's not the material inside the control box. (2)Stands for optional.									
			Drawer	Version	Title		Scale		
			Designer	0	SCD-80U/50H-OP-LC		Standard	Page 10	
			Proofread by	Approved by	Electrical Components List 3		CE	Totally 10 Pages	
			Checked by	Date	SCD-80U/50H-OP-LC-CE-400V-0-10		Voltage	4.00V	
			Modified by	20170817			Frequency	50Hz	
			Modify date						
SHINI 信易电热机械股份有限公司 Shini Plastics Technologies, Inc.									
1	2		3	4	5	6	7	8	



整机版本 Ver.D

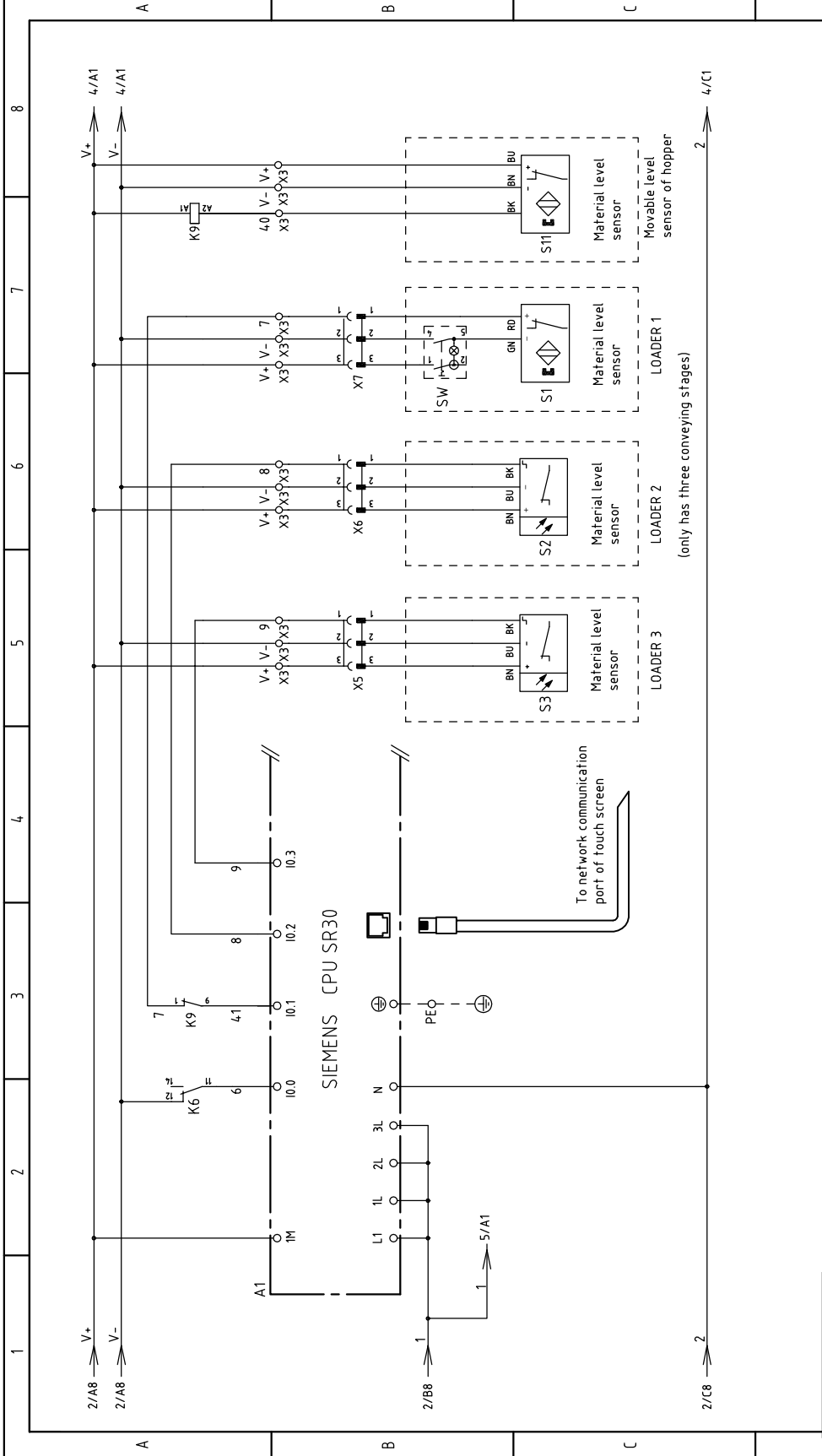
Mark	Before modification	After modification	Modify date	Checked by	Designer	Drawer	Version	0	Title	SCD-120U/80H-OP-LC	Drawing NO.	SCD-120U/80H-OP-LC-CE-400V-0-1	Scale	Page 1
			20170817		Approved by				Electrical Diagram 1				Standard	Totally 10
														Pages
														400V
														50Hz

SHINI
信易塑料机械股份有限公司
Shini Plastics Technologies, Inc.



整机版本 Ver.D

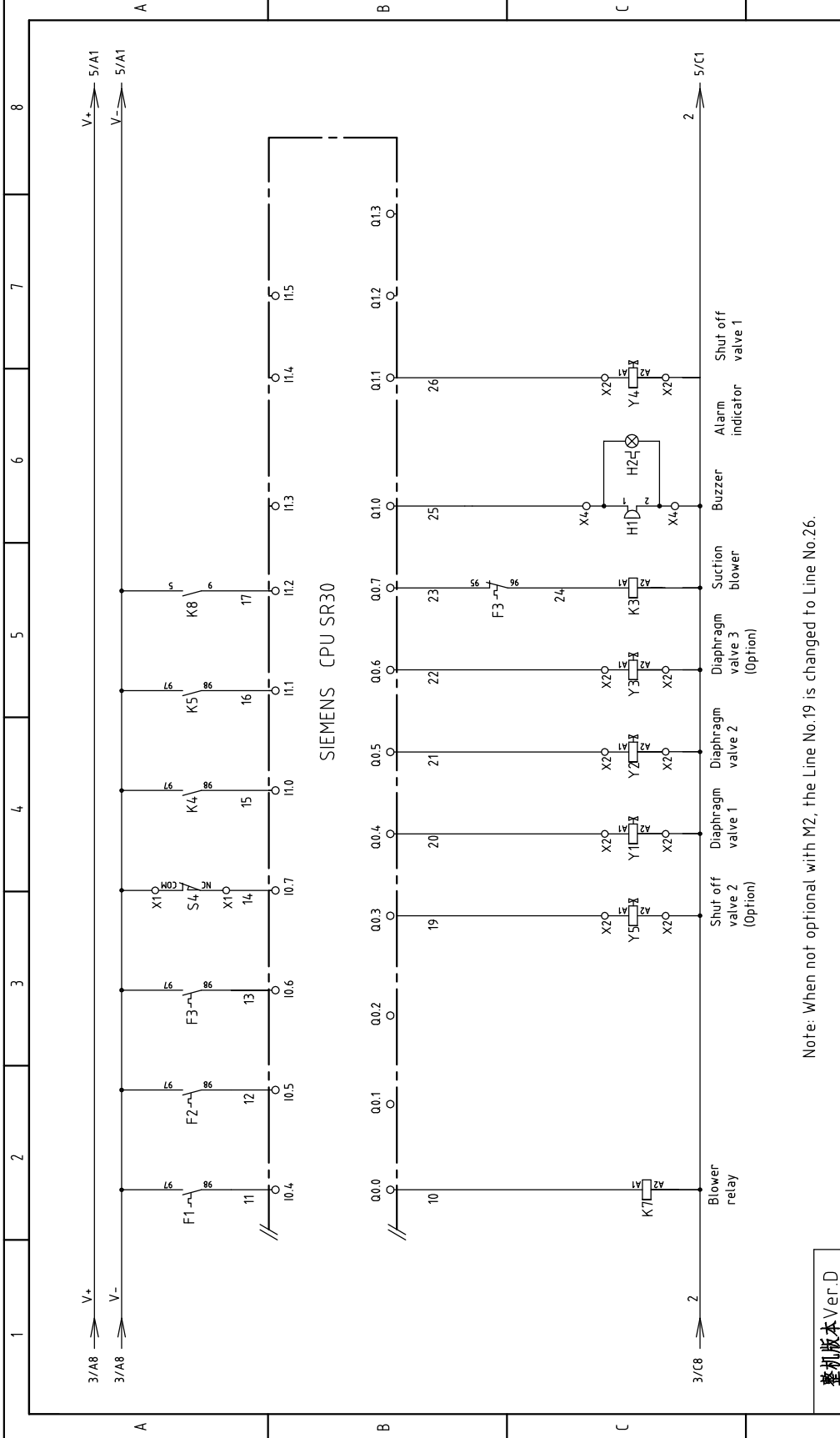
Title		Drawing NO.		Scale	Page
SCD-120U/80H-OP-LC		SCD-120U/80H-OP-LC-CE-400V-0-2		Standard	2
Electrical Diagram 2				CE	Totally 10 Pages
				Voltage	400V
				Frequency	50Hz
Version		Date		SHINI	
0	20170817	信易塑料机械股份有限公司		Shini Plastics Technologies, Inc.	
Designer	Approved by	Date		SHINI	
		20170817		SHINI	
Proffread by	Checked by	Date		SHINI	
		20170817		SHINI	
Before modification	After modification	Date		SHINI	
		20170817		SHINI	
Mark	Modify Date	Date		SHINI	
		20170817		SHINI	



整机版本 Ver.D

Mark	Before modification	After modification	Modified by	Modify date	Checked by	Proofofread by	Designer	Drawer	Version	0	Title	SCD-120U/80H-OP-LC Electrical Diagram 3		Drawing NO.	SCD-120U/80H-OP-LC-CE-400V-0-3		Scale	Page	3			
									Approved by								Standard	CE	Totally	10		
																					Pages	
																						400V
																						50HZ
																						8



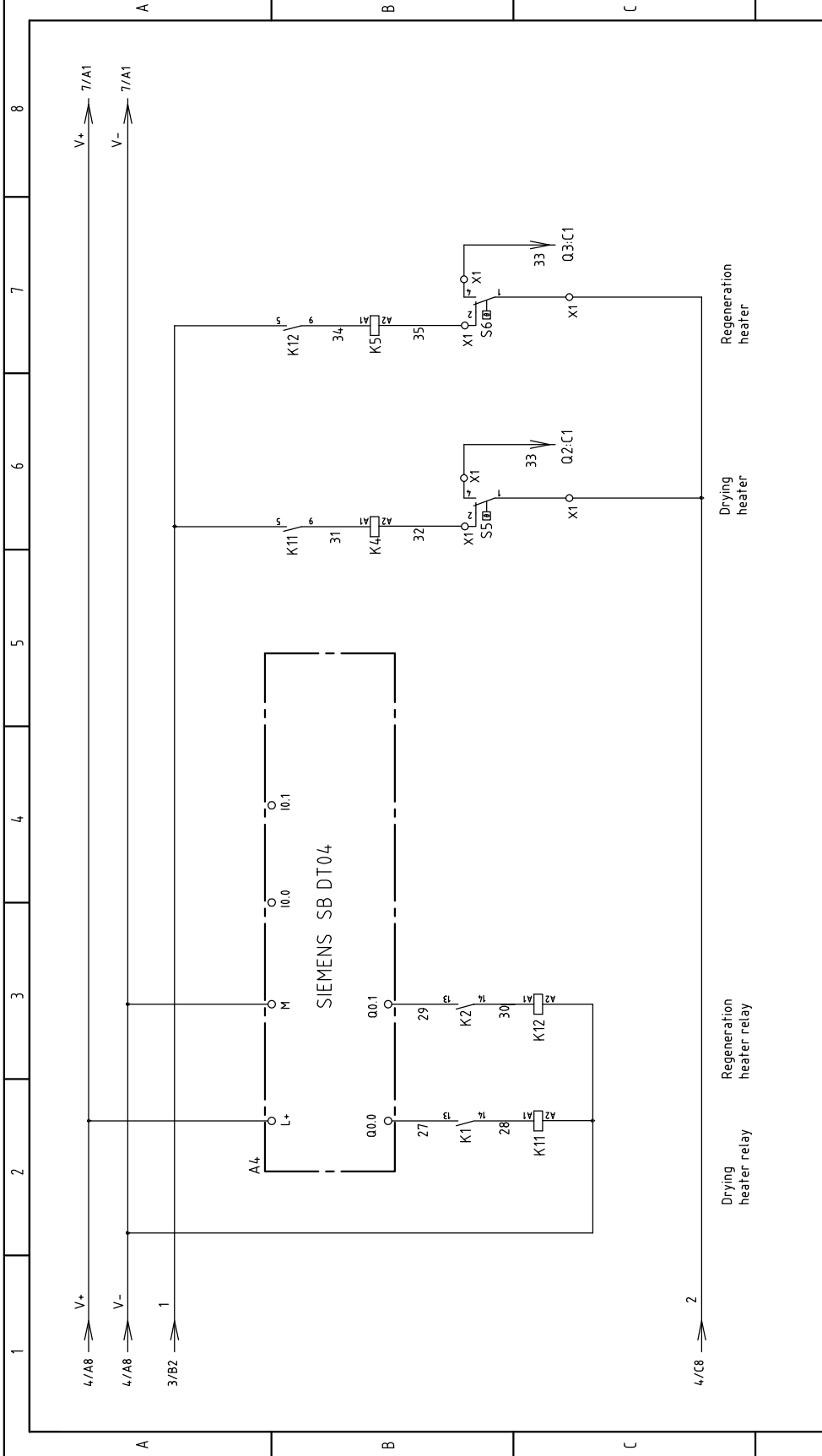


Note: When not optional with M2, the Line No.19 is changed to Line No.26.

整机版本 Ver.D

Mark	Before modification	After modification	Modify Date	Checked by	Proofofread by	Designer	Drawer	Version	0	Title	SCD-120U/80H-OP-LLC Electrical Diagram 4		Drawing NO.	SCD-120U/80H-OP-LLC-CE-400V-0-4		Scale	CE	Page	4
								Approved by								Standard		Totally	10
								Date	20170817									Voltage	400V
																		Frequency	50HZ
1	2	3	4	5	6	7	8												

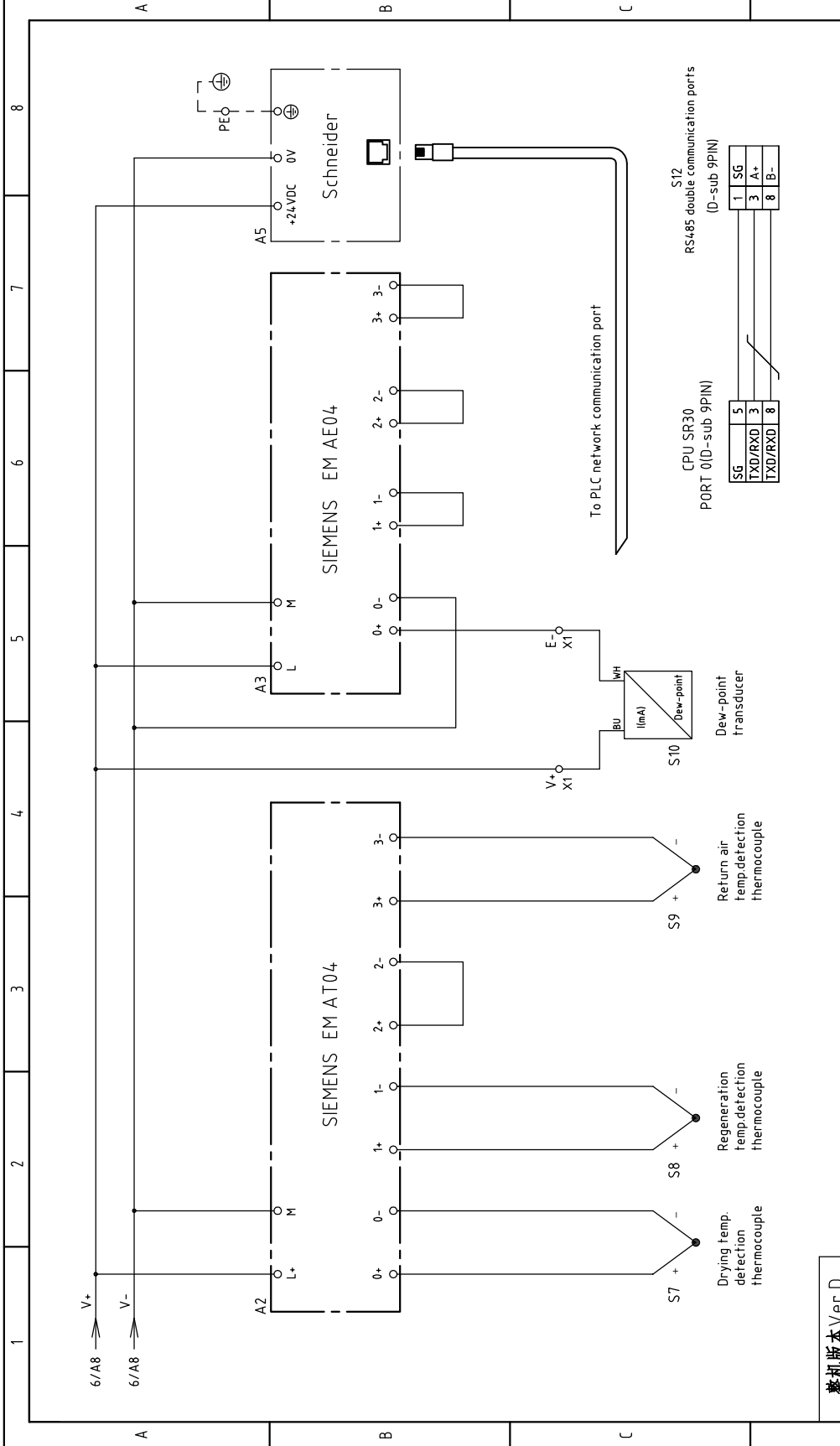
SHINI
信易塑料机械股份有限公司
Shini Plastics Technologies, Inc.



整机版本 Ver.D

Mark	Before modification	After modification	Modified by	Modify date	Checked by	Proofofread by	Designer	Drawer	Version	0	Title	SCD-120U/80H-OP-LC Electrical Diagram 5		Drawing NO.	SCD-120U/80H-OP-LC-CE-400V-0-5		Scale	Page	5	
				20170817					Approved by						Standard	CE	Totally	10	Pages	
																				400V
																				50Hz
																				8





整机版本Ver.D

Mark	Before modification	After modification	Modified by	Modify Date	Checked by	Proofread by	Designer	Drawer	Version	0	Title	SCD-120U/80H-OP-LC Electrical Diagram 6		Drawing NO.	Scale	Page	6
									Approved by			SCD-120U/80H-OP-LC-CE-400V-0-6			Standard	Totally	10
									Date	20170817		SHINI 信易塑料机械股份有限公司 Shini Plastics Technologies, Inc.			Voltage	400V	
															Frequency	50HZ	

S12
RS485 double communication ports
(D-sub 9PIN)

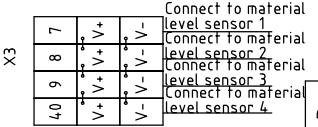
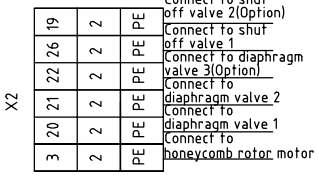
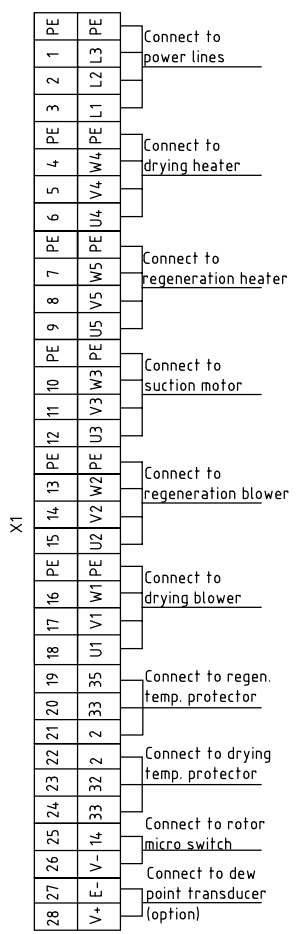
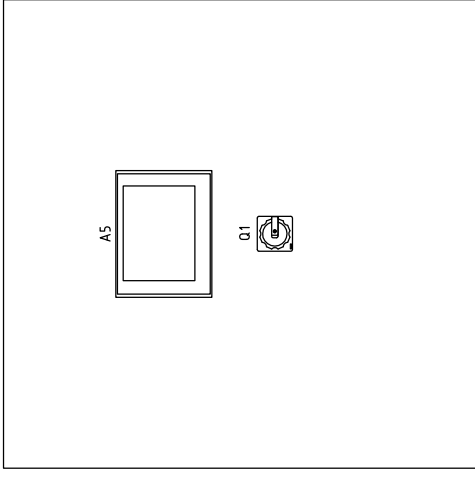
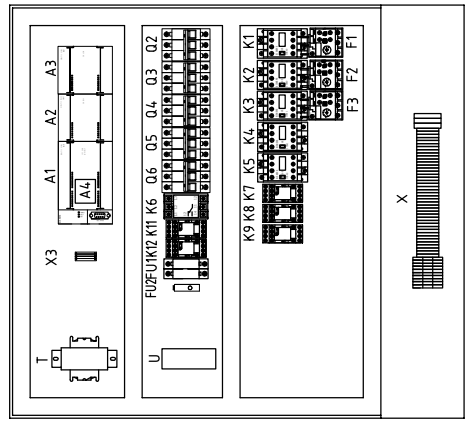
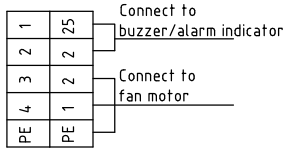
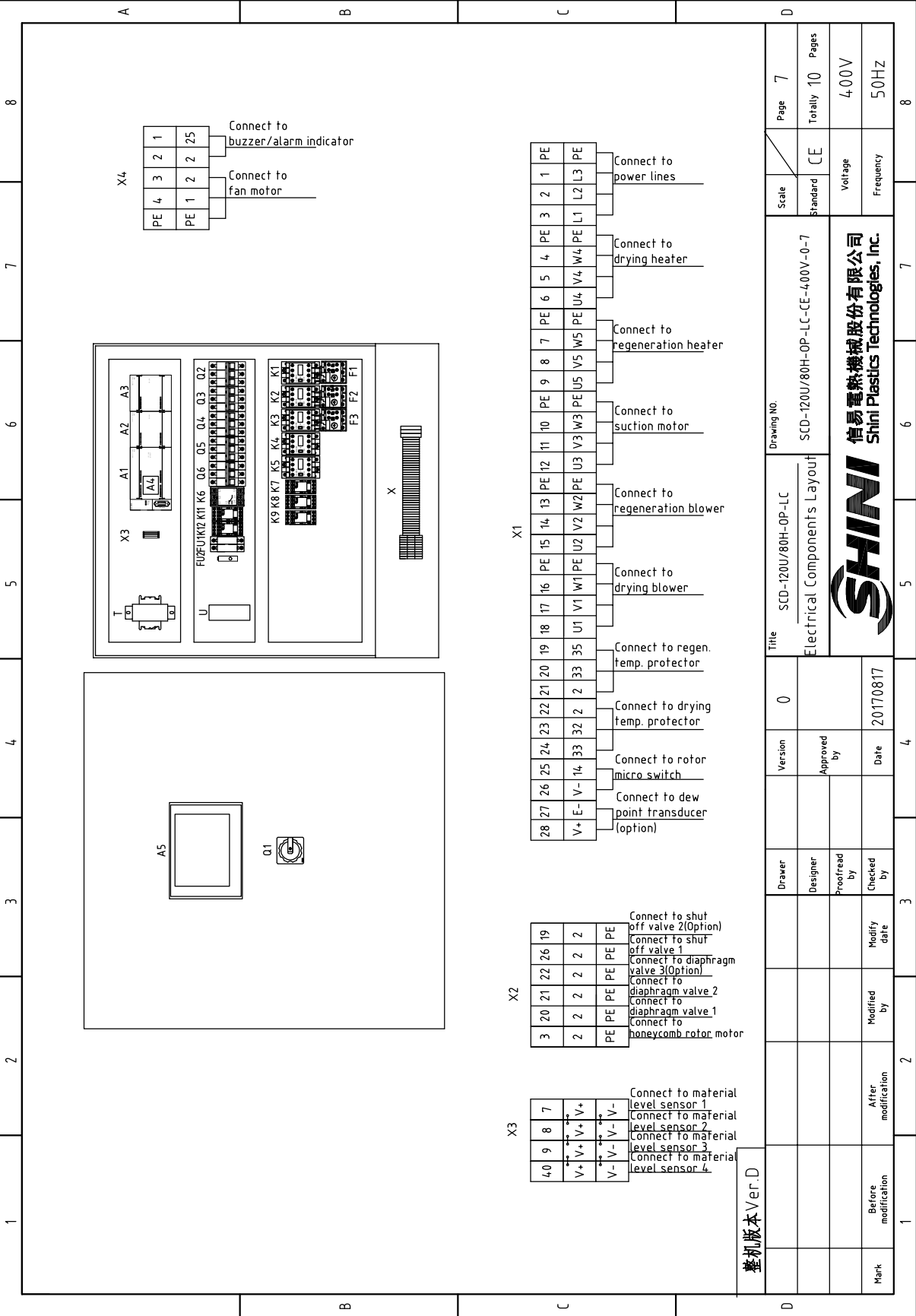
SG	5	SG	1
TXD/RXD	3	A+	3
TXD/RXD	8	B-	8

CPU SR30
PORT 0(D-sub 9PIN)

To PLC network communication port

1 2 3 4 5 6 7 8

1 2 3 4 5 6 7 8



整机版本 Ver.D	Drawer	Version	Title	Drawing NO.	Scale	Page
	Designer	Approved by	SCD-1200/80H-OP-LC	Electrical Components Layout	Standard	Totally 10
Mark	Proofread by	Date	SCD-1200/80H-OP-LC-CE-400V-0-7		Voltage	4.00V
Before modification	Checked by	20170817	SHINI 信易塑料机械股份有限公司 Shini Plastics Technologies, Inc.		Frequency	50HZ
1	2	3	4	5	6	7
						8

1	2		3	4	5	6	7	8
NO.	Symbol	Name	Manufacturer	Type	Specification	Number	Material number	Remark
1	Q1	Main switch	EATON	P1-25-EA/SVB	25A	1	YE10125250000	
2	Q2	Circuit-breaker	TECO	BM-63C 3P	16A	1	YE40301603000	
3	Q3 Q6	Circuit-breaker	TECO	BM-63C 3P	10A	2	YE40301003000	A
4		Excitation release	TECO	MX	220V 50/60Hz	2	YE40023560000	
5	Q4 Q5	Circuit-breaker	TECO	BM-63C 3P	6A	2	YE40300603000	
6	K1 K2 K3	Contacto	SIEMENS	3RT6016-1AN21	9A 220V 50/60Hz	3	YE00601621000	
7	K4	Contacto	SIEMENS	3RT6018-1AN21	16A 220V 50/60Hz	1	YE00601800000	
8	K5	Contacto	SIEMENS	3RT6017-1AN21	12A 220V 50/60Hz	1	YE00601721000	
9	K6	Phase relay	CHAOSHI	ABJ-10W	400V 50/60Hz	1	YE03103800000	
10	K7 K8	Relay	WEIDMULLER	DRM270730LT	220V 50/60Hz	2	YE03270700000	
11	K9 K11 K12	Relay	WEIDMULLER	DRM270724LT	24V DC	3	YE03272400000	B
12	F1	Overload relay	SIEMENS	3RU6116-1DB0	2.2-3.2A	1	YE01160220000	
13	F2	Overload relay	SIEMENS	3RU6116-1AB0	1.1-1.6A	1	YE01160110000	
14	F3	Overload relay	SIEMENS	3RU6116-1FB0	3.5-5A	1	YE01160350000	
15	A1	PLC	SIEMENS	CPU SR30 AC/DC/RLY	100-230VAC 50/60Hz	1	YE81003006000	
16	A2	PLC Analog module	SIEMENS	4-point thermocouple Temp. module EM AT04	--	1	YE82000400300	
17	A3	PLC Analog module	SIEMENS	4-point input analog quantity module EM AE04	--	1	YE82000400100	(2)
18	A4	PLC Analog module	SIEMENS	Circuit board for signal expansion SB DT04	--	1	YE90000401300	
19	A5	Human-machine interface	SCHNEIDER	GX03512	24VDC	1	YE80351200200	C
20	FU1	Fuse base	CHINT	RT18-32	2P	1	YE41032200000	
21		Fuse	CHINT	10x38 500V	2A	2	YE46002000100	
22	FU2	Fuse	YINDA	FS-10	2A	1	YE41001000000	
23	T	Transformer	--	--	IN=400V OUT=230V 500mA	1	YE70402300800	
24	U	DC power	MEAN WELL	NES-35-24	OUT=DC24V 1.5A	1	YE71352400100	
25	S1	Reed switch	FOTEK	FC-12V	24VDC	1	-----	(1)
整机版本 Ver.D Notes: (1)Means it's not the material inside the control box. (2)Stands for optional.								
				Version	0	Title		Scale
				Designer		Drawing NO.		Page
				Proofread by		SCD-120U/80H-OP-LC		8
				Checked by		Electrical Components List 1		Standard
				Modify date		SCD-120U/80H-OP-LC-CE-4.00V-0-8		CE
				Before modification		SHINI		Voltage
				After modification		信易塑料机械股份有限公司 Shini Plastics Technologies, Inc.		Frequency
						5		Totally
						6		10
						7		Pages
						8		4.00V
						8		50Hz

1		2		3		4		5		6		7		8	
NO.	Symbol	Name	Manufacturer	Type	Specification	Number	Material number	Remark							
26	S2 S3	Photoelectric switch	FOTEK	T18-3MNB-PE	24VDC	2	-----	(1)							
27	S11	Capacitive proximity switch	IFM	KI5082	10~36VDC	1	-----	(1)							
28	S4	Micro switch	TEND	LXW5-11G1	250V 5(4)A	1	-----	(1)							
29	S5 S6	Temperature protector	-----	-----	250V 5(4)A	2	-----	(1)							
30	S7 S8 S9	Thermocouple	SHINI	ST-K	K	3	-----	(1)							
31	S10	Dew-point transducer	CS	CS 217-OEM	POWER=24VDC OUIT=4~20mA	1	YE90021700100	(1) (2)							
32	Y1-Y4	Solenoid valve	-----	MSFW-230-50/60	220V 50/60Hz	4	-----	(1)							
33	H1	Buzzer	HITPOINT	PF-35A	60-250V	1	YE84.003500200	(1)							
34	H2	Alarm indicator	SHINI	LED-3051	220V 50/60Hz	1	YE83305100200	(1)							
35	X1 X2 X4	Terminal board	-----	4mm ²	41A 690V	18	YE60000403200								
36			-----	4mm ² PE	-	6	YE60000403500								
37				2.5mm ²	32A 690V	20	YE60002503200								
38				2.5mm ² PE	-	5	YE60002503400								
39				2.5mm ²	32A 690V	6	YE60002503200	(2)							
40				2.5mm ² PE	-	2	YE60002503400	(2)							
41	X3	Terminal board	-----	Terminal SK2.5-TL	10A 250V	4	YE60002503600								
42				FBSTB 10-ZDIK RD	10A 250V	4	YE60001000200								
43				SK2.5-TL	10A 250V	4	YE60002503600								
44	X5 X6 X7	Heavy duty connector	WEIN	HDC-HA-004.1	4P 10A	3	YE68041000100	(1)							
45	FM	Fan	SUNON	DP-200A	230VAC 4.0W	1	YM60121200400	(1)							
46	S12	Communication interface board (double Dsub-9pin connector)	-----	-----	-----	1	YE90048501200	(1)							
47		Shell RS485(SAL-700G-A-1910)	-----	-----	-----	1	YR40048500000	(1)							
48	M1	Blower	SHINI	-----	400V 0.75kW	1	-----	(1)							
49	M2	Blower	SHINI	-----	400V 0.4kW	1	-----	(1)							
50	M3	Blower	SHINI	-----	400V 1.5kW	1	-----	(1)							
整机版本 Ver.D Notes: (1)Means it's not the material inside the control box. (2)Stands for optional.															
				Version 0		Title SCD-120U/80H-OP-LC		Drawing NO. SCD-120U/80H-OP-LC-CE-4.00V-0-9		Scale		Page 9		Totality 10 Pages	
		Designer		Approved by		Electrical Components List 2		Standard		CE		Voltage 4.00V		Frequency 50Hz	
Mark		Before modification		Modified by		Date 20170817		Checked by		SHINI		Shini Plastics Technologies, Inc.			



1		2		3		4		5		6		7		8	
NO.	Symbol	Name	Manufacturer	Type	Specification	Number	Material number	Remark							
51	M4	Motor	----	-----	230V 0.015kW	1	-----	(1)							
52	EH1	Heater	SHINI	-----	400V 6kW	1	-----	(1)							
53	EH2	Heater	SHINI	-----	400V 3kW	1	60Hz机型为4kW	(1)							
A															
B															
C															
D															
整机版本 Ver.D Notes: (1)Means it's not the material inside the control box. (2)Stands for optional.															
		Title		Version		0		Drawing NO.		Scale		Page		10	
		SCD-120U/80H-OP-LC		Electrical Components List 3		SCD-120U/80H-OP-LC		SCD-120U/80H-OP-LC-CE-400V-0-10		Standard		CE		Totally 10 Pages	
Mark		Before modification		Modified by		Modify date		Checked by		Date		20170817		Voltage 4.00V	
														Frequency 50Hz	
SHINI 信易电热机械股份有限公司 Shini Plastics Technologies, Inc.															
1 2 3 4 5 6 7 8															