

机型版本 Ver.B

D	Mark	Before modification	Modified by	20190611	4	5	6	7	8
	After modification	Checked by	Date	20190611	4	5	6	7	8
Drawer	Designer	Proofread by	Approved by	A	5	6	7	8	
Title				SAL-330/360 Main Circuit Diagram					
Drawing NO.				SAL-330/360-CE-230V-A-1					
Scale		Standard		CE		Page 1		Totally 3 Pages	
Voltage		Frequency		230V		50HZ			



SAL-330/360-Lmicro switch
SAL-330/360E:sensor switch

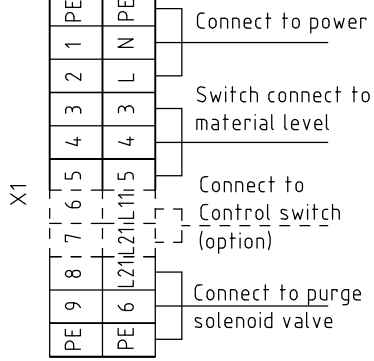
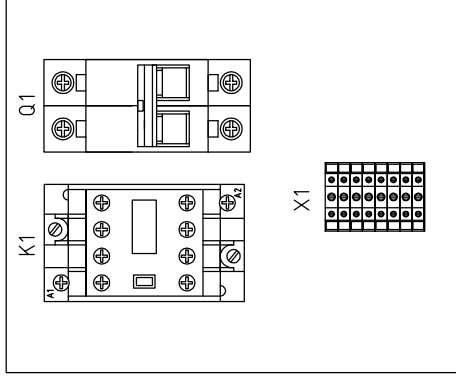
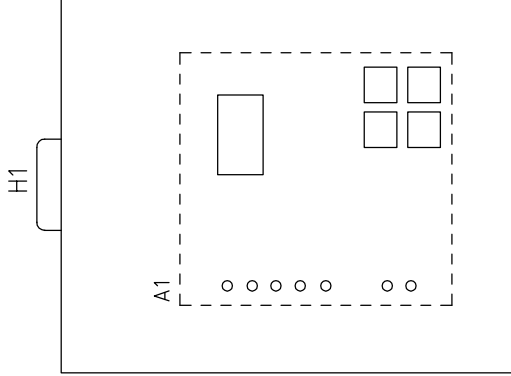
1 2 3 4 5 6 7 8

A

B

C

D



机型版本 Ver.B

Mark	Before modification	Modified by	Modify date	Checked by	Date	Approved by	Version	Title	Drawing NO.	Scale	Page	2	
	After modification	Modified by	Modify date								Checked by	Date	Approved by
SAL-330/360-CE-230V-A-2 Electrical Components Layout 信易电热机械股份有限公司 Shini Plastics Technologies, Inc.												Voltage	230V
												Frequency	50Hz
												Standard	CE
												Page	2
												Totally	3
												Pages	8

B

C

D

1

2

3

4

5

6

7

8

