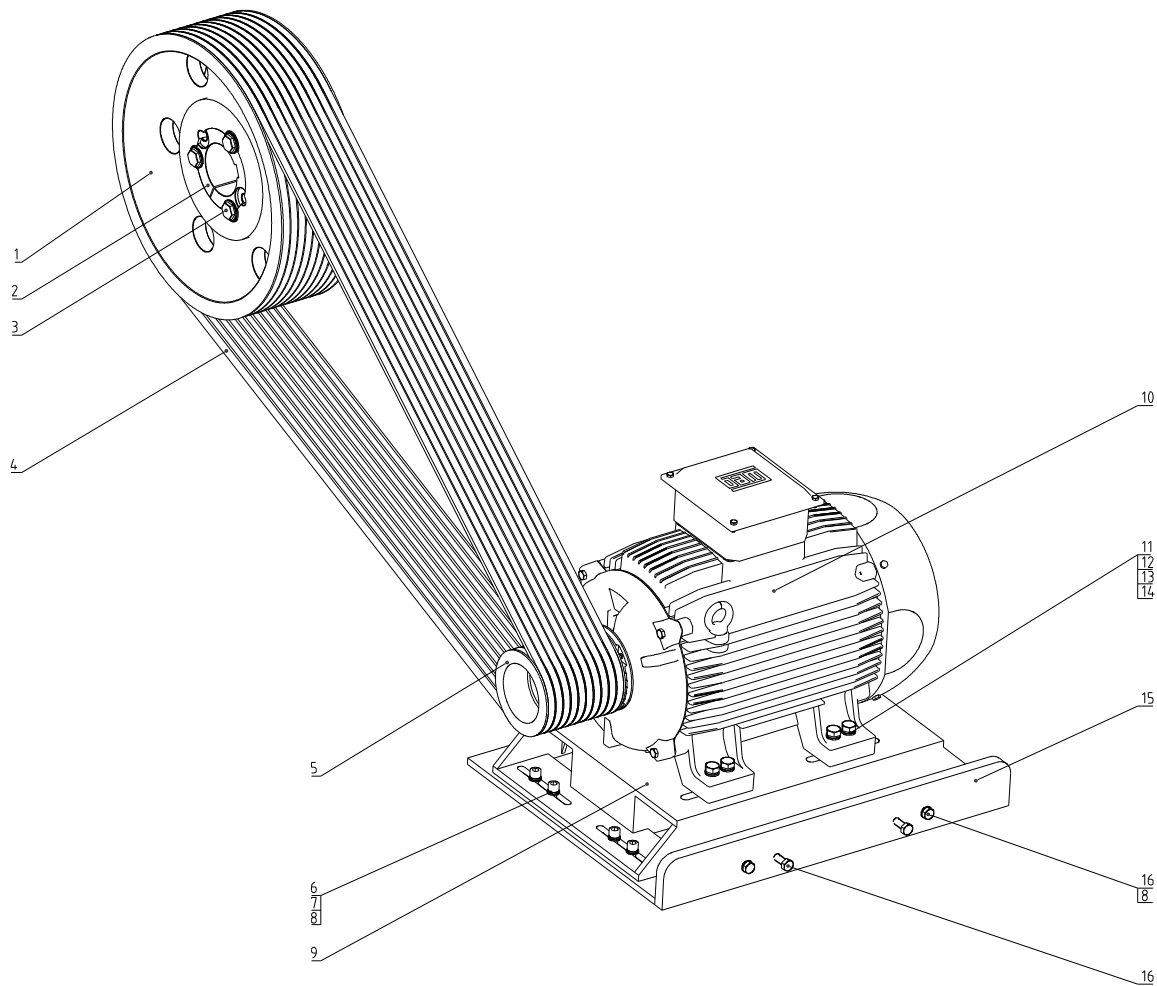


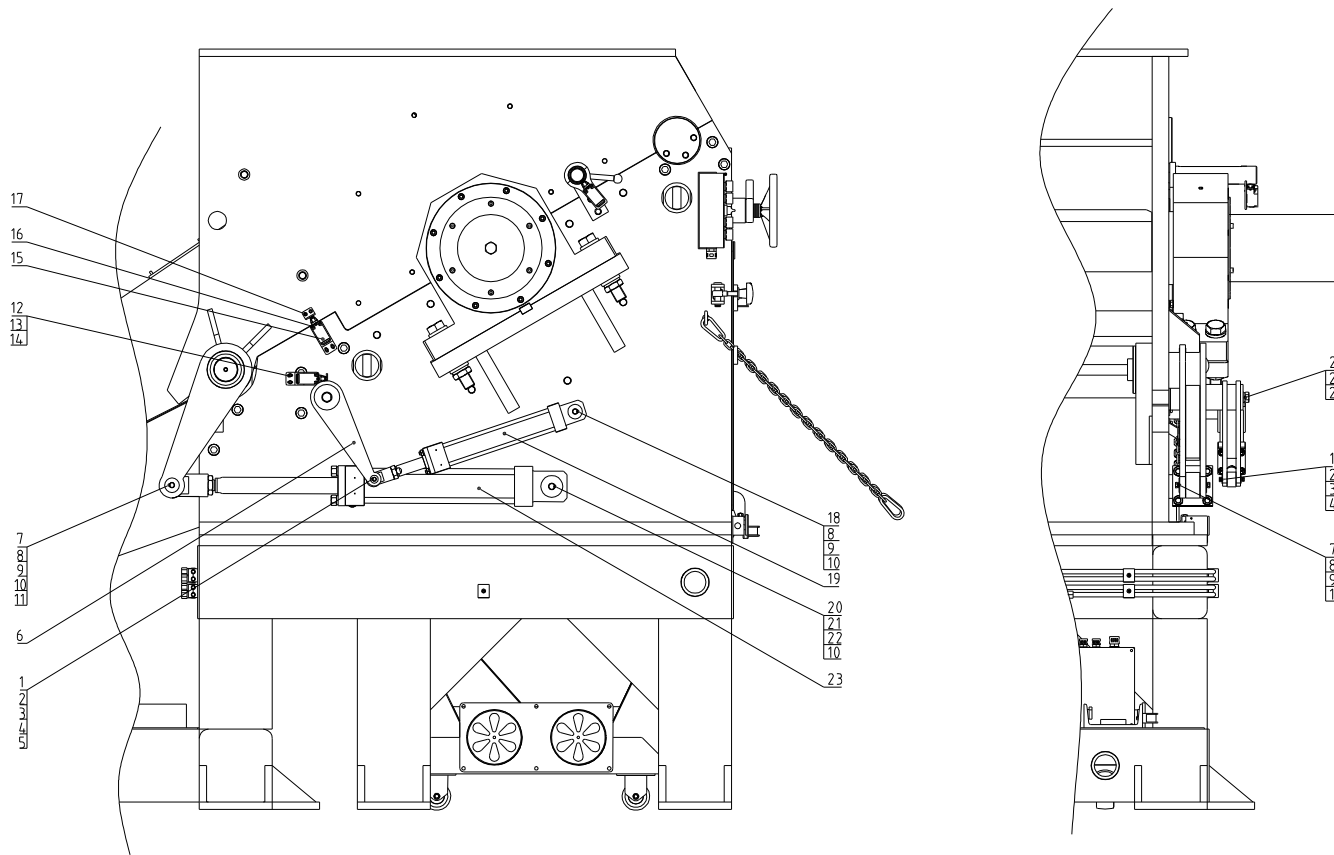
12	Conveyor belt	-
11	Dust separator assembly	-
10	Conveying assembly	-
9	Control box	-
8	Presenting knife jig	-
7	Hydraulic station control box	-
6	Hydraulic station	-
5	Feed box assembly	-
4	Cutting chamber assembly	-
3	Transmission	-
2	Storage box assembly	-
1	Rack assembly	-
序号	名称	代号

					制图	版号	标题	图号	比例	数量	1
					设计	核准	SG-90B		1:1	材质	
					校对		系统结构图				
							信易電熱機械股份有限公司 Shini Plastics Technologies, Inc.		表面要求		
标记	更改前	更改后	更改人	日期	审核	日期		物料号			



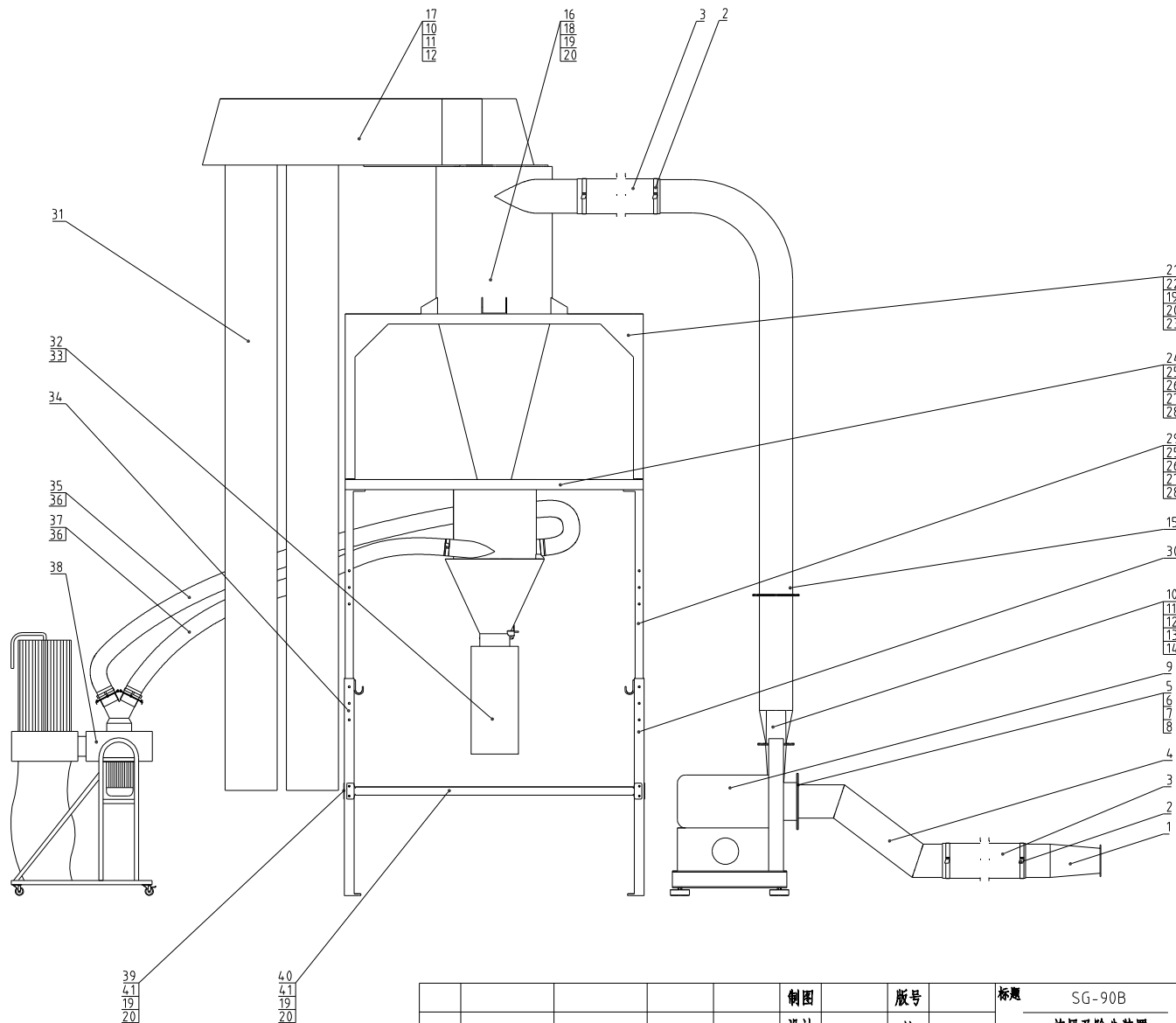
		SG-90160B	SG-90200B
16	Hexagon screw bolt M20×200-12.9	YW60202000100	YW60202000100
15	Motor adjustment welding plate	--	--
14	Hexagon nut M24	YW64.0024.00100	YW64.0024.00100
13	Flat washer 24-Longzine	YW660244.00000	YW660244.00000
12	Standard spring washer 24-Longzine	YW650024.00000	YW650024.00000
11	Hexagon screw bolt M24×120-12.9	YW6124.1200600	YW6124.1200600
10	Motor W20-IE3-4P-B3T 3~0.400V50HZ	YM10002000300	YM10202200400
9	Motor mounting plate	--	--
8	Flat washer 20-Longzine	YW6900016.00000	YW6900016.00000
7	Standard spring washer 20-Longzine	YW65020000000	YW65020000000
6	Hexagon socket head screw M20x60-12.9	YW61206000000	YW61206000000
5	Small pulley SPC 236x10 Kewefite	YW30236102000	YW30236102000
4	Narrow V-belt SPC L=5600MM	YR005600014.00	YR005600014.00
3	6050 Cone bolt 1-1/4BSW	YW60605000200	--
2	Large pulley cone sleeve	BW30901600610	BW30902000410
1	Large cone sleeve	BW30901600410	BW30902003940
序号	名称	代号	

					制图	版号	标题	图号	比例	数量	1
					设计	核准	SG-90B			材质	
					校对		传动装置			表面要求	
标记	更改前	更改后	更改人	日期	审核	日期	信易电热机械股份有限公司 Shini Plastics Technologies, Inc.		物料号		



26	Flat washer 16	YW66163000000
25	Standard spring washer 16	YW65016200000
24	Hexagon screw bolt M16×350	YW60578200100
23	Oil cylinder (cylinder diameter 80)	YW70809000100
22	Flat gasket 10	YW66102000100
21	Standard spring washer 10	YW65010000000
20	Hexagon screw bolt M10×25	YW60102500000
19	Oil cylinder (cylinder diameter 50)	YW70509000100
18	Hexagon screw bolt M8×20	YW60082000200
17	Limit switch contact board	--
16	Cross recessed pan head screw M4×25	YW63042500000
15	Limit switch	YE90023600000
14	Standard spring washer 5	YW65005200000
13	Hexagon socket Head cap screw M5×12	YW61051200100
12	Limit switch fixed plate	--
11	Oil cylinder pin 2	BY60050030250
10	Hydraulic pin shaft gasket 1	--
9	Flat washer 8	YW66081600000
8	Standard spring washer 8	YW65008000100
7	Hexagon screw bolt M8×25	YW60082500100
6	Left turn arm of screen rack	BH10901616510
5	Oil cylinder pin 2	BH10290100610
4	Hydraulic pin shaft gasket 2	--
3	Flat washer 6	YW66061300000
2	Standard spring washer 6	YW65006000100
1	Hexagon head bolt M6×20	YW60062000100
序号	名称	代号

					制图	版号	标题	SG-90B	图号	比例	1:13	数量	1
					设计	核准	升降装置					材质	
					校对							表面要求	
标记	更改前	更改后	更改人	日期	审核	日期	信易电热机械股份有限公司 Shini Plastics Technologies, Inc.		物料号				



41	Hexagon screw bolt M8*30-8-8-longzine	YW60083000200
40	Strengthen the crossbeam 1	--
39	Strengthen the crossbeam 2	--
38	Dust collector	--
37	Steel wired plastic pipe 4"×3M	YR60000400100
36	Stainless steel pipe clamp 5"	YW02000500000
35	Steel wire hose 4"×4M	YR60000400100
34	Lower bracket 1	--
33	Steel wire hose 7.8"	YW02000700000
32	Filter cloth bag 3	BP82323200044
31	Filter cloth bag 2600	--
30	Lower bracket 2	--
29	Upper bracket	--
28	Hexagonal nut GB/T6170 M10-longzine	YW64001000300
27	Flat washer A grade GB/T97.1 10-longzine	YW66102000100
26	Standard spring washer GB/T93 10-longzine	YW65010000000
25	Hexagon head bolt M10×80-8-8-longzine	YW60108000000
24	Horizontal beam on the bracket	--
23	Hexagonal nut GB/T6170 M8-longzine	YW64080600000
22	Hexagon head bolt M8×80-8-8-longzine	YW60088000000
21	On the support frame of the cyclone	--
20	Flat Washer Grade A GB/T97.1 8-longzine	YW66081600000
19	Standard spring washer GB/T93 8-longzine	YW65008000100
18	Hexagon head bolt M8×50-8-8-longzine	YW60085000000
17	Cyclone separator air outlet	--
16	Cyclone dust collector	--
15	Extended discharge bend	--
14	Outlet pipe	--
13	Hex. nut GB/T6170 M12-longzine	YW64012100000
12	Flat washer A grade GB/T97.1 12-longzine	YW66122400000
11	Standard spring washer GB/T93 12-longzine	YW65012000000
10	Hexagon head bolt M12×55-12 9-longzine	YW60578300100
9	Extended discharge bend 11KW3φ+00V/50HZ	YM30001100000
8	Hexagonal nut GB6170 M20×2.5	YW64200200000
7	Flat washer GB/T97.1 20(SUS)	YW69001600000
6	Standard spring washer GB/T93 20-longzine	YW65205200000
5	Hexagon head bolt M20×60-12.9-longzine	YW60206000000
4	Air suction pipe	--
3	Steel wire hose 8"	YR60814000000
2	Stainless steel pipe clamp 8.5"	YW02008500000
1	Suction pipe	--

制图	版号	标题	图号	比例	数量	1
设计	核准	SG-90B		1:1	数量	1
校对	核准	旋风及除尘装置		表面要求	材质	
标记	更改前	更改后	更改人	日期	审核	日期
						物料号
				SHINI 信易电热机械股份有限公司 Shini Plastics Technologies, Inc.		