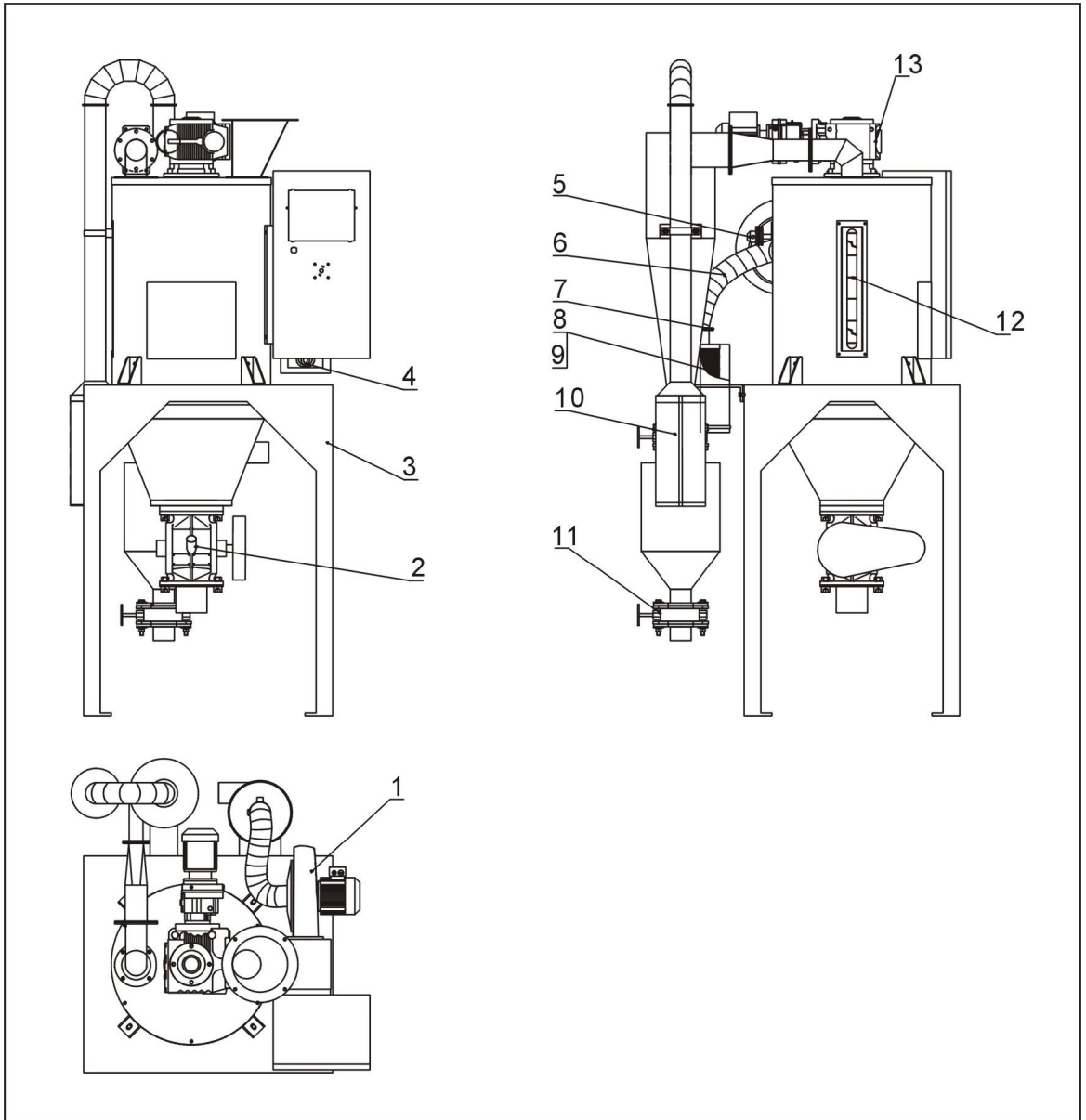


1. Assembly Drawing (SCR-160U)



Remarks: Please refer to material list 2 for specific explanation of the Arabic numbers in parts drawing.

2. Parts List (SCR-160U)

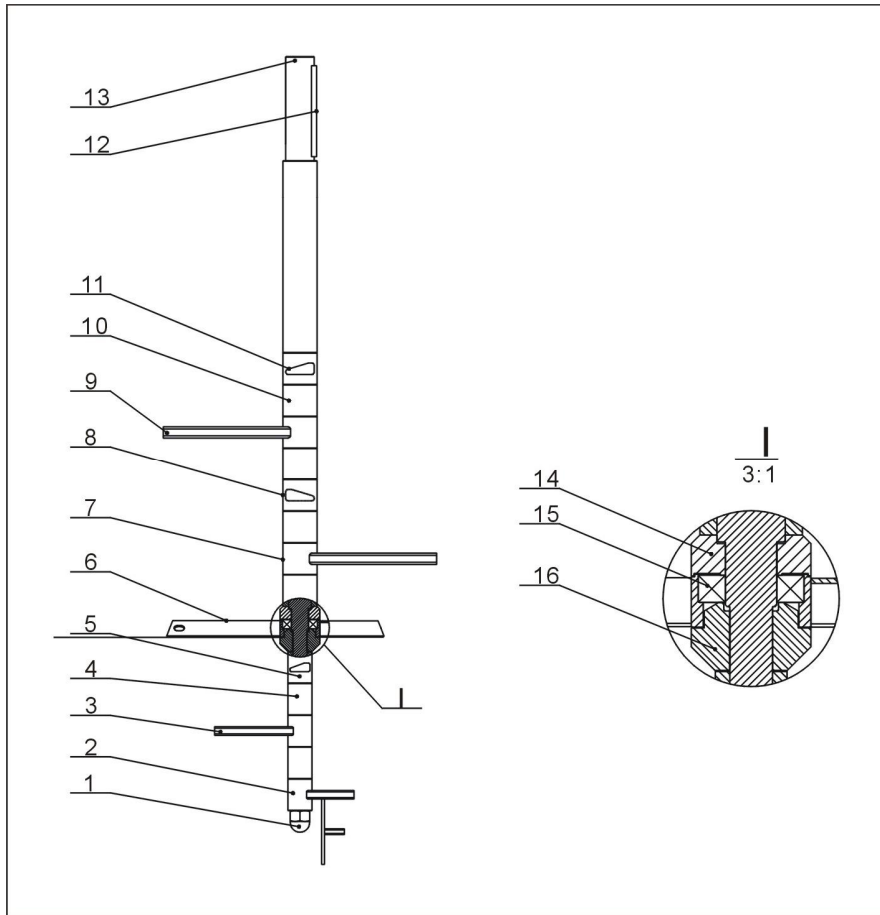
No.	Name	Part No.	No.	Name	Part No.
1	Blower*	BM30055000060	8	Filter*	YR50203000000
2	Rotary valve SRV-4S	CG24000400150	9	Filter barrel fastener *	YR10708000000
3	Rack metal plate	BK11016000220	10	Filter bag	BP82184500000
4	Pipe heater (12kW)*	BH70161200050	11	Manual butterfly valve 3"	YW59030000100
5	Rotary level switch*	YE15000200000	12	Mixing shaft assembly	-
6	3" heat-resistant air pipe*	YW72033600100	13	Mixing gear motor*	YM10773700000
7	3.5"stainless steel pipe clamp	YW02003500000			

* means possible broken parts.

** means easy broken part. and spare backup is suggested.

Please confirm the version of manual before placing the purchase order to guarantee that the item number of the spare part is in accordance with the real object.

3. Mixing Shaft Assembly (SCR-160U)



Remarks: Please refer to material list 4 for specific explanation of the Arabic numbers in parts drawing.

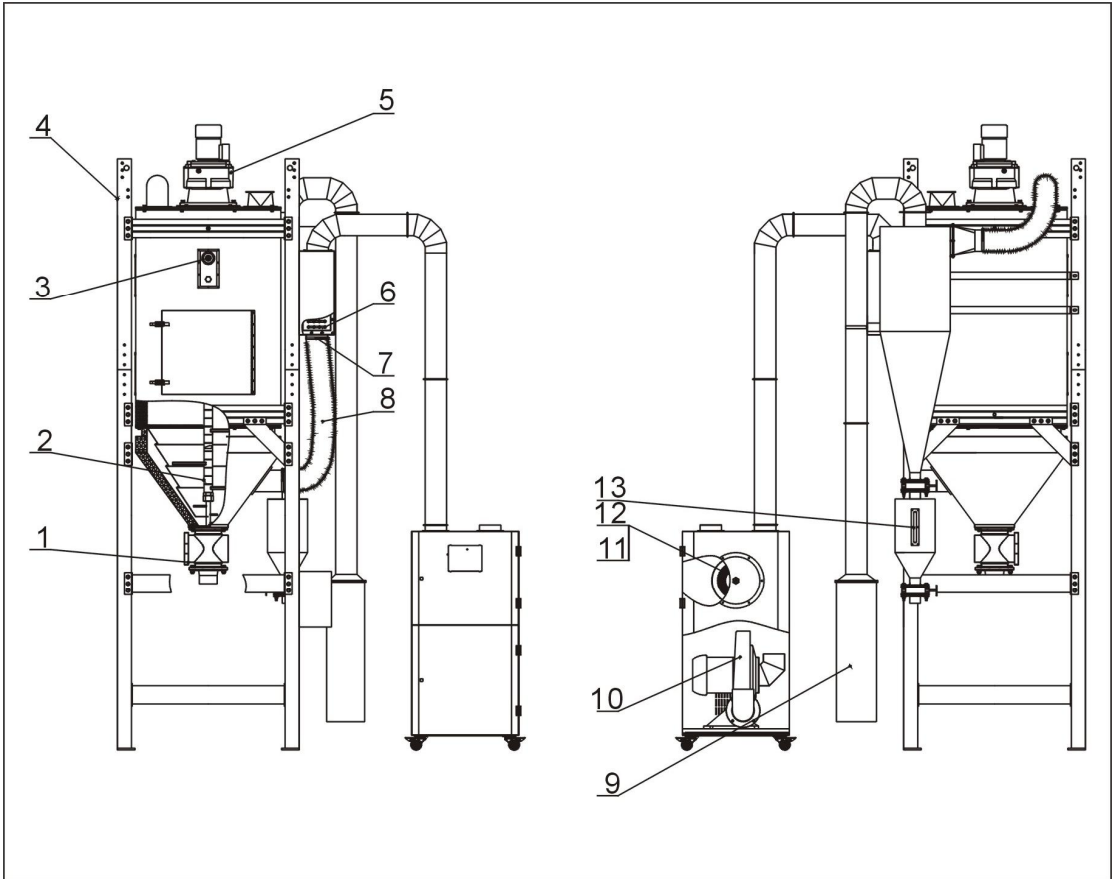
4. Parts List of Mixing Shaft Assembly (SCR-160U)

No.	Name	Part No.	No.	Name	Part No.
1	Cap nut	BH10162400010	9	Upper mixing blade 3	BH10016001710
2	Lower mixing blade 3	BH10016000810	10	Upper sleeve	BH10016005710
3	Lower mixing blade 2	BH10016000710	11	Upper mixing blade 2	BH10016002110
4	Lower sleeve	BH45440000010	12	Flat key of gear motor	BH11167100010
5	Lower mixing blade 1	BH10016000610	13	Mixing shaft	BH10016002010
6	Bracket	BH10016001610	14	Bearing cover	BH10016000110
7	Upper mixing blade 1	BH10016001910	15	Bearing 6206ZZC3E*	YW30620600000
8	Upper mixing blade 4	BH10016005610	16	Top sleeve	BH10016001810

* means possible broken parts. ** means easy broken part. and spare backup is suggested.

Please confirm the version of manual before placing the purchase order to guarantee that the item number of the spare part is in accordance with the real object.

5. Assembly Drawing (SCR-450U/900U)



Remarks: Please refer to material list 6 for specific explanation of the Arabic numbers in parts drawing.

6. Parts List (SCR-450U/900U)

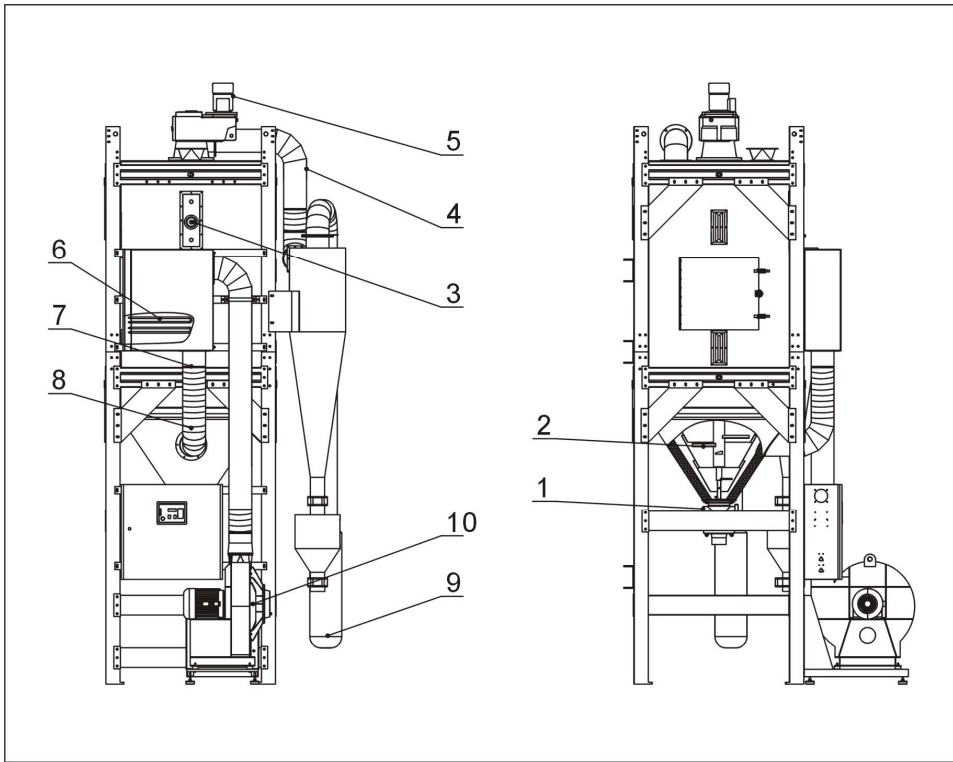
No.	Name	Part No.	
		SCR-450U	SCR-900U
1	Rotary valve	CG24000400150	CG24000500150
2	Mixing shaft assembly	-	-
3	Rotary level switch *	YE15000200000	YE15000200000
4	Rack metal plate	BK11045000820	BK11090000520
5	Mixing gear motor *	YM50538200800	YM50638200200
6	Pipe heater*	BH70045000850	BH70090000950
7	Stainless steel pipe clamp	YW0250120000s0	YW02006500000
8	Heat-resistant air pipe*	YW72060400000	YW72053600000
9	Filter cloth bag	BP82206500044	BP82256500044
10	Blower*	BM30224000050	BM30300000610
11	Filter*	YR50241400100	YR50275700000
12	Filter barrel fastener *	YR10026000000	YR10034000000
13	Six hole sight-glass assembly	BH90000600050	BH90000600050

* means possible broken parts.

** means easy broken part. and spare backup is suggested.

Please confirm the version of manual before placing the purchase order to guarantee that the item number of the spare part is in accordance with the real object.

7. Assembly Drawing (SCR-1600U)



Remarks: Please refer to material list 8 for specific explanation of the Arabic numbers in parts drawing.

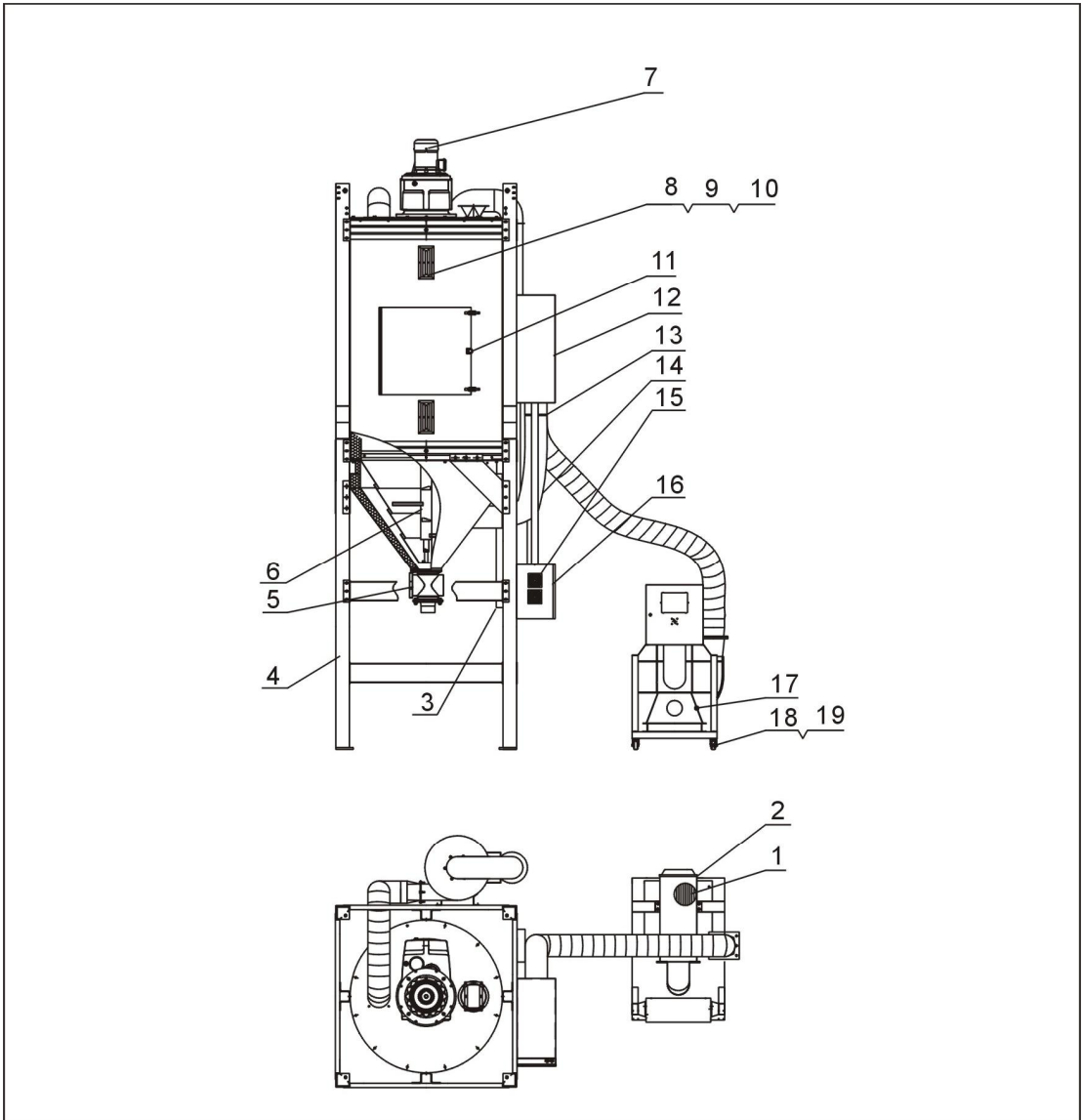
8. Parts List (SCR-1600U)

No.	Name	Part No.	No.	Name	Part No.
1	Rotary valve	CG24000500150	6	Pipe heater *	BH70160000850
2	Mixing shaft assembly	-	7	Stainless steel pipe clamp	YW02008500000
3	Rotary level switch *	YE15000200000	8	Heat-resistant air pipe *	YW72080400000
4	Rack metal plate	BK11160006220	9	Filter cloth bag	BP82851200244
5	Mixing gear motor *	YM50738200000	10	Blower*	YM30190500000

* means possible broken parts. ** means easy broken part. and spare backup is suggested.

Please confirm the version of manual before placing the purchase order to guarantee that the item number of the spare part is in accordance with the real object.

9. Assembly Drawing (SCR-2500U)



Remarks: Please refer to material list 10 for specific explanation of the Arabic numbers in parts drawing.

10. Parts List (SCR-2500U)

No.	Name	Part No.	No.	Name	Part No.
1	Filter*	YR50277500000	11	Big star nut assembly	YW09101500000
2	Filter barrel fastener*	YR10034000000	12	Pipe heater*	BH70800000850
3	Filter cloth bag	BP82281200044	13	Stainless steel pipe clamp 8.5"	YW02008500000
4	Rack metal plate	BK11250000020	14	Heat-resistant air pipe 8"	YW72080400000
5	Rotary valve SRV-5S	CG24000500150	15	Exhaust fan	YM60121200400
6	Mixer assembly	-	16	Control box	BH39250000250
7	Gear motor*	YM50838200000	17	Drying blower*	YM30001500000
8	Tempered glass**	YW70000100000	18	Castor with brake 3"	YW03000300000
9	Sight glass six-hole fastener**	YR40000600000	19	Movable castor 3"	YW03000300200
10	Sight glass iron sheet	YW09000600000			

* means possible broken parts. ** means easy broken part. and spare backup is suggested.

Please confirm the version of manual before placing the purchase order to guarantee that the item number of the spare part is in accordance with the real object.