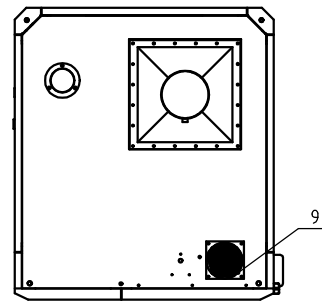
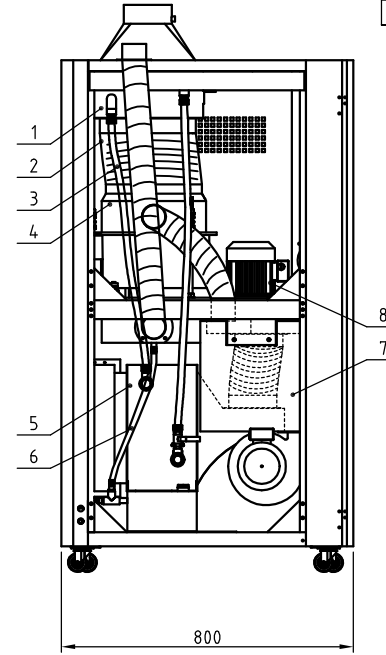
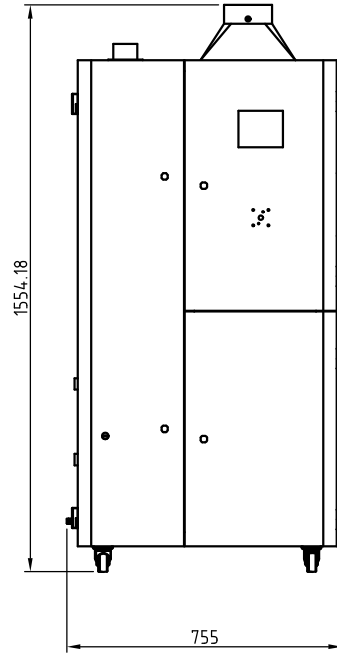
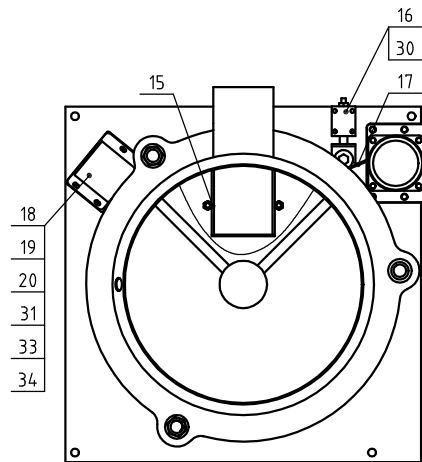
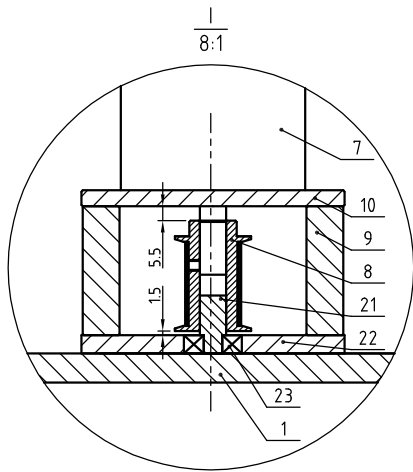
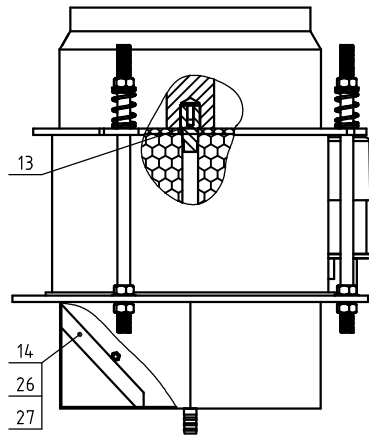
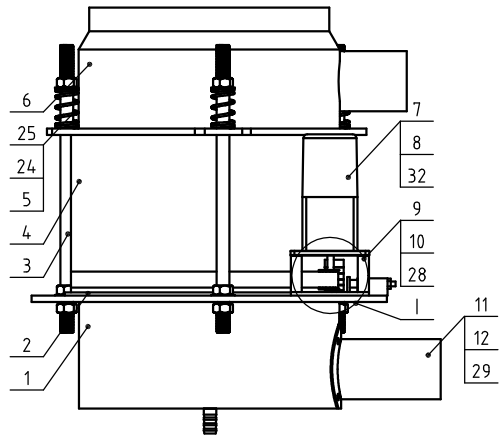


regen. blower power	drying blower power	regen. heater power	dehumidifying air flow	Version No.
0.37KW	0.55KW	6KW	500m ³ /hr	Ver. A
Cooler inlet and outlet size		Cooling water pressure	Cooling water flow	Cooling water temp.
1"PT (Female thread)		1~5Kg	≥44L/min	7℃



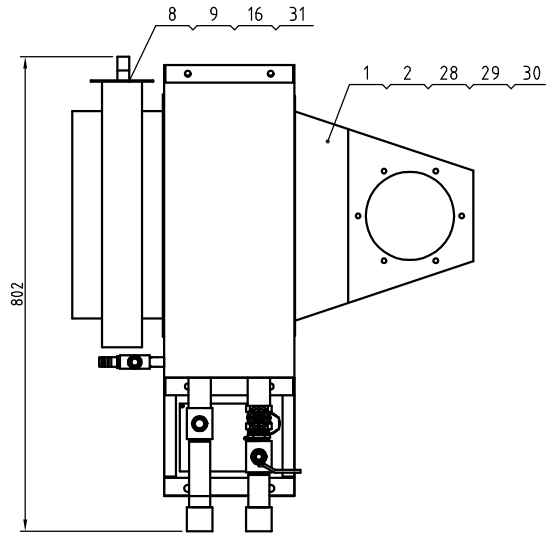
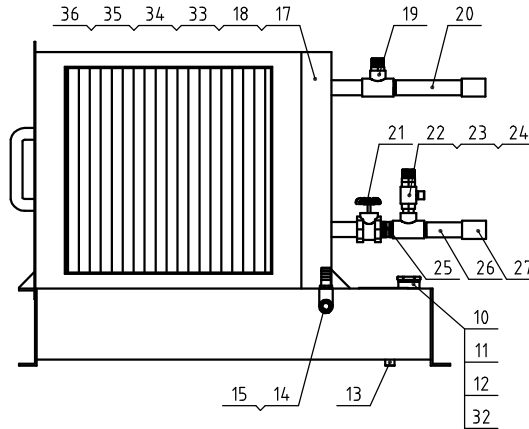
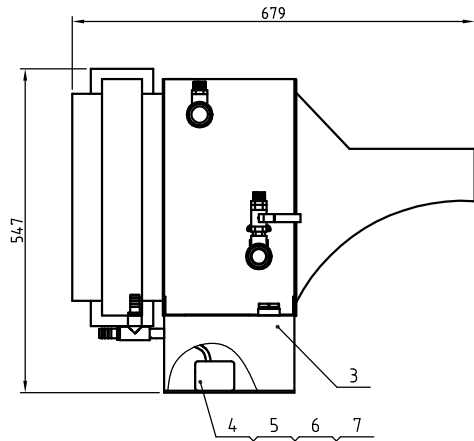
9	YM601212064.00	Exhaust fan 12-12CH/24 VAC 50/60HZ with plastic screen	Assembly	1	
8	YM30000500300	Multi-blade centrifugal fan DF-5	Assembly	1	
7	SMD-500H-D-ALL	Heating tank	Assembly	1	
6	YR60161604.000	Pressure resistant MAX-1/6 inner dia. 16mm pressure resistant 40bar(Hanguo Sanshan brand)	Assembly	1	L=1M
5	SMD-500H-C-ALL	Cooler assembly	Assembly	1	
4	SMD-500H-B-ALL	Honeycomb assembly	Assembly	1	
3	YR60252500000	Pressure resistant MAX-25 inner dia. 25mm pressure resistant 25bar 10bar(Sanshan brand)	Assembly	1	L=2.2M
2	YW90310300000	Sandwich type air pipe Ø310×23CHSMD-500H-ALL-04)	Assembly	1	
1	YW88100000600	Cooler 2 SMD-500H-ALL-01	Assembly	1	
No.	Material No.	Name	Mat.	Num.	Remarks

				制图	版号	SMD-500H	图号	比例	1:15	数量	1
				设计	核准	模具除湿机	SMD-500H-ALL		材质		
				校对			信易电热机械股份有限公司 Shini Plastics Technologies, Inc.	表面要求			
标记	更改前	更改后	更改人	日期	审核			日期	物料号	BP33500300700	



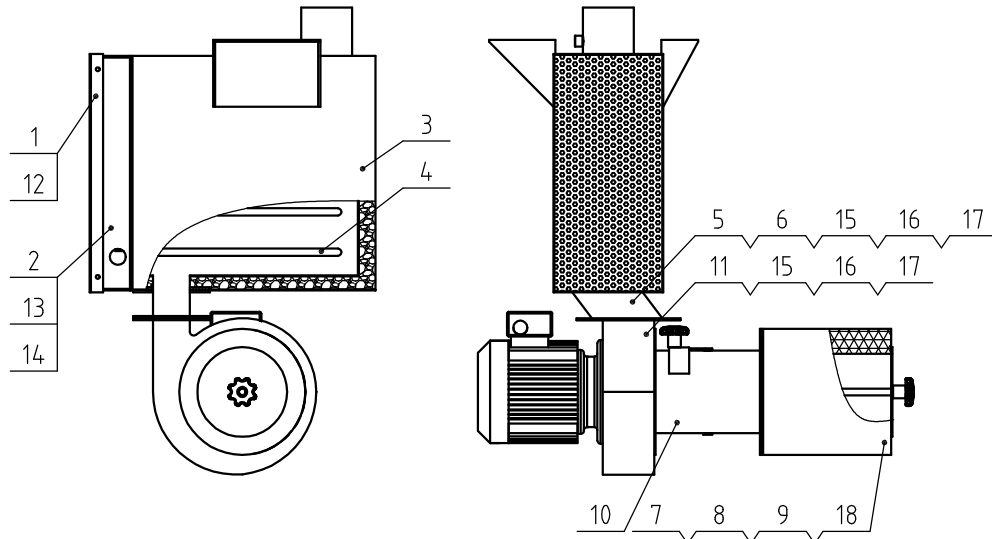
34	YW63032500000	Cross socket pan head screw GB/T-818 M3x25-Longzine		2	
33	YW63040600000	Cross socket pan head screw GB/T-818 M4x6-Longzine		3	
32	YW61068200000	Inner hex. cylindrical screw GB/T170.1 M6x85-A2-70(SUS)		4	
31	YW68004500000	Inner hex. flat head lock screw GB/T777 M4x5-Longzine		3	
30	YW63044500000	Cross socket pan head screw GB/T-818 M4x45-Longzine		2	
29	YW62051500000	Large cross socket flat head screw JIS1111 M6x-Longzine		4	
28	YW64000600300	Hex. nut GB/T6170 M6-Longzine		4	
27	YW66061300000	Flat washer A grade GB/T97.16-Longzine		12	
26	YW60061500100	Hex. bolt GB/T5783 M6x16-12.9-Longzine		4	
25	YW64001600000	Hex. nut GB/T6170 M16-Longzine		9	
24	YW66163000000	Flat washer A grade GB/T97.16-Longzine		12	
23	YW11062700000	Bearing 627ZZ1MC3E	Assembly	1	
22	BH33702200010	Gear motor fixed plate 2 SD-700H-B-22	6061	1	
21	BH33702300010	Fixed shaft SD-700H-B-23	SUS201	1	
20	BL04402200020	Micro switch fixed plate	SUS201	1	
19	YE14511200000	Limit switch YBLXW-5/11G2	Assembly	1	
18	YR40330900000	Micro switch box	ABS	1	
17	YR00304700000	Synchronous belt 470XL	Rubber	1	
16	SD-400H-A-40	Belt regulator	Assembly	1	
15	SMD-500H-B-05	Regen. cooling plate	SUS201	1	
14	SMD-500H-B-03	Drying cooling plate	SUS201	1	
13	BH10020003110	Honeycomb mount shaft SD-200H-A-31	45	2	
12	SMD-500H-B-06	Air inlet pipe sealing pad	white silica gel	1	
11	SMD-500H-B-04	Lower cover air inlet pipe	welding parts	1	
10	BH13040003810	Gear motor mount plate SD-400H-A-38	AL	1	
9	BH10070001510	Positioning pipe SD-400H-A-37(ver.B)	AL6061	4	
8	YW08001400000	Synchronous wheel	45	1	
7	YM50512600000	Gear motor 3GN-10XK/3GN-60K/3K15GN-C-T	Assembly	1	
6	SMD-500H-B-02	Honeycomb upper cover	welding parts	1	
5	YW01201800000	Spring wire dia. 2.0x inner dia.18xL80mm distance 8	70	3	
4	YW71352000800	Honeycomb SMD-500H-B-08	full silica gel	1	
3	BH10533000010	Double-head screw SD-40H-B-07	SUS200	3	
2	SMD-500H-B-07	Silicone Teflon gasket	Teflon + red silica gel	2	
1	SMD-500H-B-01	Honeycomb lower cover	welding parts	1	
No.	Material No.	Name	Mat.	Num.	Remarks

					制图	版号	标题	SMD-500H	图号	SMD-500H-B-ALL	比例	1:6	数量	1	
					设计	核		蜂巢组件							材质
					校对	准									表面要求
标记	更改前	更改后	更改人	日期	审核	日期									物料号
								SHINI		信易电热机械股份有限公司 Shini Plastics Technologies, Inc.					



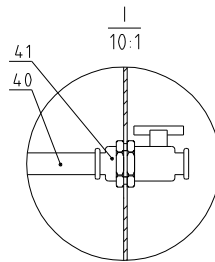
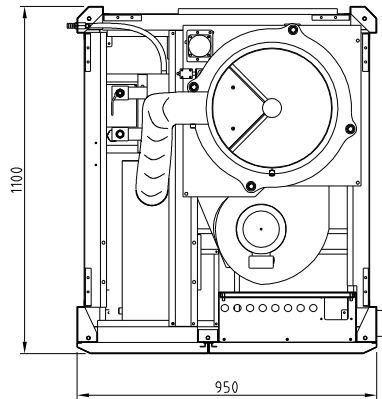
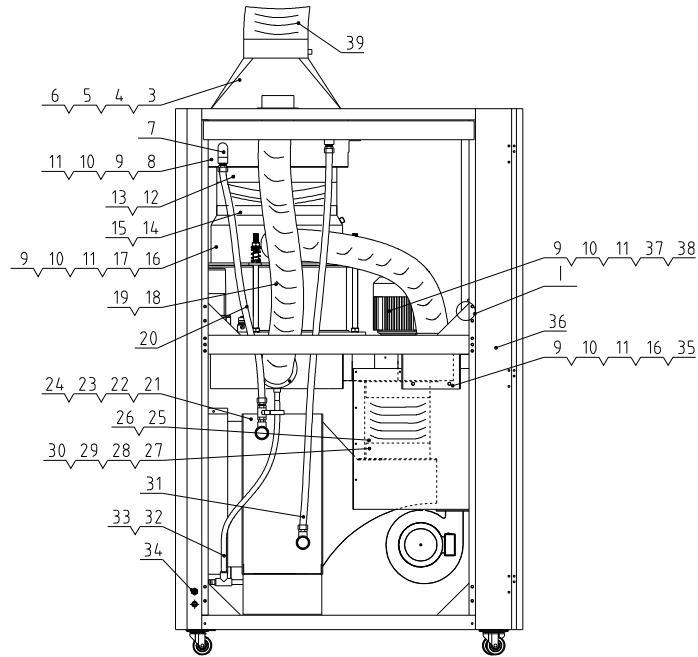
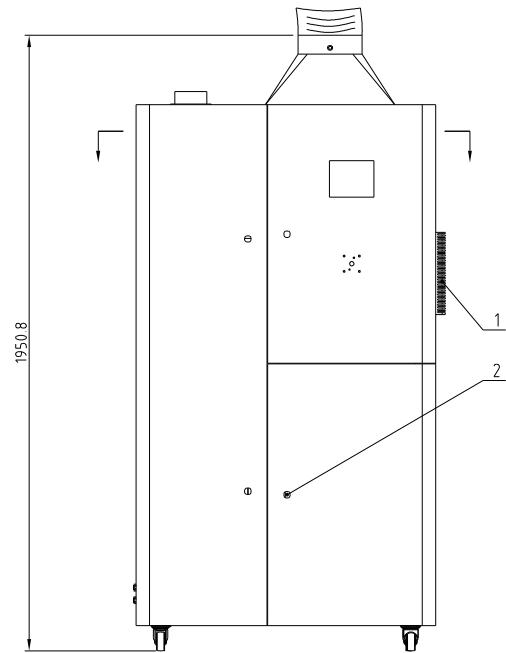
36	YW60102500000	Hex. bolt GB/T5783 M10x25-12.9-Longzine		4	
35	YW66102000100	Flat washer A grade GB/T97.1 10(11x20x2)-Longzine		6	
34	YW65010000000	Standard spring washer GB/T93 10-Longzine		4	
33	YW64001000100	Hex. nut GB/T6170 M10-Longzine		2	
32	YW63040600000	Cross recessed pan head screw GB/T-818 M4x6-Longzine		2	
31	YW62061000000	Large cross socket flat head screw JIS111 M6x10-Longzine		1	
30	YW60061500100	Hex. bolt GB/T5783 M6x16-12.9-Longzine		40	
29	YW65006000100	Standard spring washer GB/T93 6-Longzine		40	
28	YW66061300000	Flat washer A grade GB/T97.16-Longzine		40	
27	YW51000100000	Galvanized water pipe direct connector 1"		2	
26	SMD-500H-C-10	1" PT pipe both-end male thread 1		1	
25	YW50000100000	Galvanized water pipe inner connector 1"(male thread)		1	
24	BH12030401510	Copper insert 3/4"PTxφ25(S-124)		2	
23	YW50030400000	Copper ball valve 3/4"		1	
22	YW50003400600	Galvanized water pipe inner connector 3/4"(male thread)		1	
21	YW50000101000	Sluice valve 1"		1	
20	SMD-500H-C-09	1" PT pipe both-end male thread		1	
19	YW52013400100	Galvanized water pipe diameter varied 3-way 1"x3/4"		2	
18	SMD-500H-C-05	Cooler washer	EVA	1	
17	SMD-500H-C-06	Cooler 1 SMD-500H-C-06	Assembly	1	
16	SMD-1000H-C-08	Filter fender	SUS201	1	borrow
15	YW52100200000	Galvanized water pipe 3-way 1/2"		1	
14	BH12121600010	Copper insert 1/2"PTxφ16(S-133)		2	
13	YW80010200100	Plug 1/4"	SUS201	1	
12	SMD-500H-C-02	Water pump cover plate	SUS201	1	
11	YW59710100000	Float ball	Assembly	1	
10	BH12011000020	Copper coupler	H58	1	
9	YW90050000700	Filter core SMD-500H-C-07	Assembly	1	
8	SMD-500H-C-03	Filter cover	Welding parts	1	
7	YR60121000000	Air pipe φ12xφ8		0.02	
6	YW80120800500	Air pipe quick direct diameter varied connector APG12-8		1	
5	YM20245000100	Liquid level pump AC24V10W	Assembly	1	
4	YR60000800000	PU air pipe φ8 blue	PU	1	
3	SMD-500H-C-01	Dew tank	Welding parts	1	
2	SMD-500H-C-08	Air cover washer	EVA	2	
1	SMD-500H-C-04	Air cover	Welding parts	1	
No.	Material No.	Name	Mat.	Num.	Rem.

				制图	版号	标题	图号	比例	1:8	数量	1
				设计	核准	SMD-500H 冷却器组件	SMD-500H-C-ALL		材质		
				校对			信易电热机械股份有限公司 Shini Plastics Technologies, Inc.	表面要求			
标记	更改前	更改后	更改人	日期	审核			日期	物料号		



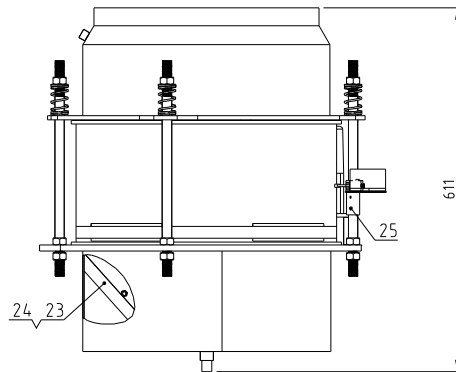
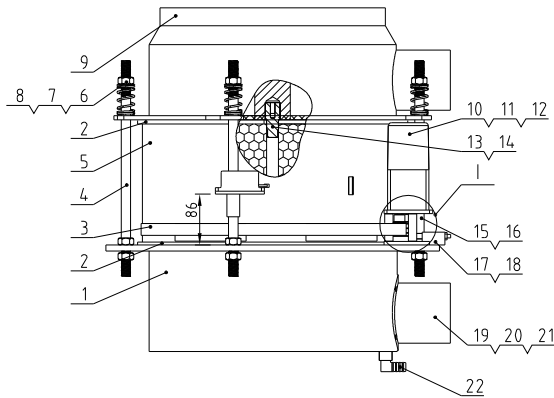
18	YW62061000000	Large cross socket pan head screw JIS1111 M6x10-Longzine		4	
17	YW66081900000	Flat washer A grade GB/T97.1 8(9x16x1.6)- Longzine		16	
16	YW65008000100	Standard spring washer GB/T93 8-Longzine		12	
15	YW60082500100	Hex. bolt GB/T5783 M8x25-12.9-Longzine		12	
14	YW66061300000	Flat washer A grade GB/T97.16- Longzine		12	
13	YW62061500000	Large cross socket pan head screw JIS1111 M6x15-Longzine		12	
12	YW62051500000	Large cross socket pan head screw JIS1111 M5x16-Longzine		4	
11	YM30000600000	Multi-blade centrifugal blower DF-6	Assembly	1	0.37KW
10	SMD-1000H-D-13	Air adjusting valve	Assembly	1	borrow
9	YW09675100000	Small star nut 5/16	Aluminum	2	
8	YR50181900000	Filter HAR ext. 188x inner 114/88xH191	Assembly	1	
7	SMD-500H-D-03	Filter fixed bracket	SPCC2.0	1	
6	SMD-500H-D-05	Sealing washer	EVA3.0	2	
5	SMD-500H-D-07	Large blower flange	SPCC	1	
4	BH70006300450	Pipe heater 6KW(SMD-500H-D-06)	Assembly	1	
3	SMD-500H-D-01	Heating case	Assembly	1	
2	SMD-500H-D-02	Pipe heater mount plate	SECC2.0	1	
1	SMD-500H-D-04	Heating tank cover plate	Q235A	1	
No.	Material No.	Name	Ma.f.	Num.	Rem.

					制图	版号	标题	图号	比例	1:10	数量	1
					设计	核准	SMD-500H 加热箱	SMD-500H-D-ALL		材质		
					校对		信易電熱機械股份有限公司 Shini Plastics Technologies, Inc.		表面要求			
标记	更改前	更改后	更改人	日期	审核	日期			物料号			

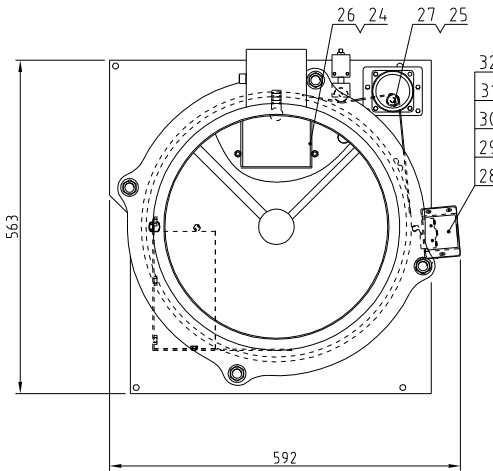
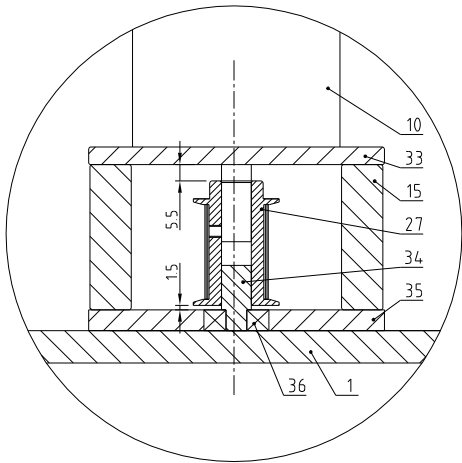


41	YW80066100100	Hot wire sensor (type: linear for fixed 100 mm)		1	
40	YR60006400100	Transparent teflon air pipe (6mm)	PTFE	1	
39	YW72080500100	Expansion air pipe 6" (G1-1/4"PPC)	PVC	1	
38	SMD-1000H-ALL-05	Sealing washer 1	EVA	1	
37	YM30000800300	Hot wire sensor (type: PTC for fixed 100 mm)	assembly	1	
36	SMD-1000H-A-ALL	Rack sheet metal	assembly	1	
35	SMD-1000H-D-ALL	Heating case	assembly	1	
34	YW80122200100	Anti-pipe frost sensor (type: NTC for fixed 100 mm)	assembly	1	
33	YW02182900000	Insulation mat (type: 10mm thick)	SUS	2	
32	YR60161604000	Humidity sensor (type: PTC for fixed 100 mm)	assembly	1	0.5m
31	YW59011300000	Humidity sensor (type: PTC for fixed 100 mm)	assembly	1	
30	SMD-1000H-ALL-07	Blower sealing gasket	EVA	2	
29	YW62052000000	Long screw (type: M4x10)		12	
28	SMD-1000H-ALL-04	Inlet flange	assembly	2	
27	SMD-1000H-ALL-08	Blower screen	SUS	1	
26	YW02008500000	Insulation mat (type: 10mm thick)		4	
25	YW72080400000	Heat-resistant air pipe 6" (double layers)		0.1	
24	YW66102000100	Flat washer 1 (type: 10mm)		8	
23	YW65010000000	Standard spring washer (type: 10mm)		4	
22	YW60102500000	Hexagon screw bolt (type: M4x10)		4	
21	SMD-1000H-C-ALL	Cooler assembly	assembly	1	
20	YW59010800000	Humidity sensor (type: PTC for fixed 100 mm)		1	
19	YW02004500000	Insulation mat (type: 10mm thick)		4	
18	YW72043600000	Heat-resistant air pipe 6" (double layers)		1	
17	SMD-1000H-B-ALL	Honeycomb assembly	assembly	1	
16	YW64080600000	Hexagonal nut (type: M4)		12	
15	YW02000800000	Insulation mat (type: 10mm thick)		2	
14	YW90386300100	Clamp air pipe (type: 6mm)	PVC	1	L=18CM
13	SMD-1000H-ALL-06	Sealing washer 2	EVA	1	
12	SMD-1000H-ALL-02	Air outlet flange	Weldment	1	
11	YW66081900000	Flat washer 8x19x2.0 (Longline)		28	
10	YW65008000100	Standard spring washer (type: 8mm)		28	
9	YW60082500100	Hexagon screw bolt (type: M4x10)		28	
8	YW88100000600	Cooler 2 SMD-1000H-ALL-01 (Ver.D)	assembly	1	
7	YW53100000000	Galvanized water pipe elbow 1"	Q235A	2	
6	YW66061300000	Flat washer 1 (type: 10mm)		16	
5	YW65006000100	Standard spring washer (type: 6mm)		16	
4	YW60062000100	Hexagon screw bolt (type: M4x10)		16	
3	SMD-1000H-ALL-03	Air outlet hood	Weldment	1	
2	YW00816100000	Door lock (type: 16mm)	assembly	6	
1	YW90120700000	Aluminum cooler (type: 120mm)	ABS	1	
序号	代号	名称	材质	数量	备注

					制图	版号	标题	图号	比例	1:15	数量	1
					设计	核准	SMD-1000H 模具除湿机	SMD-1000H-ALL			材质	/
					校对		信易电热机械股份有限公司 Shini Plastics Technologies, Inc.		表面要求		/	
标记	更改前	更改后	更改人	日期	审核	日期		物料号			/	



1/8.1

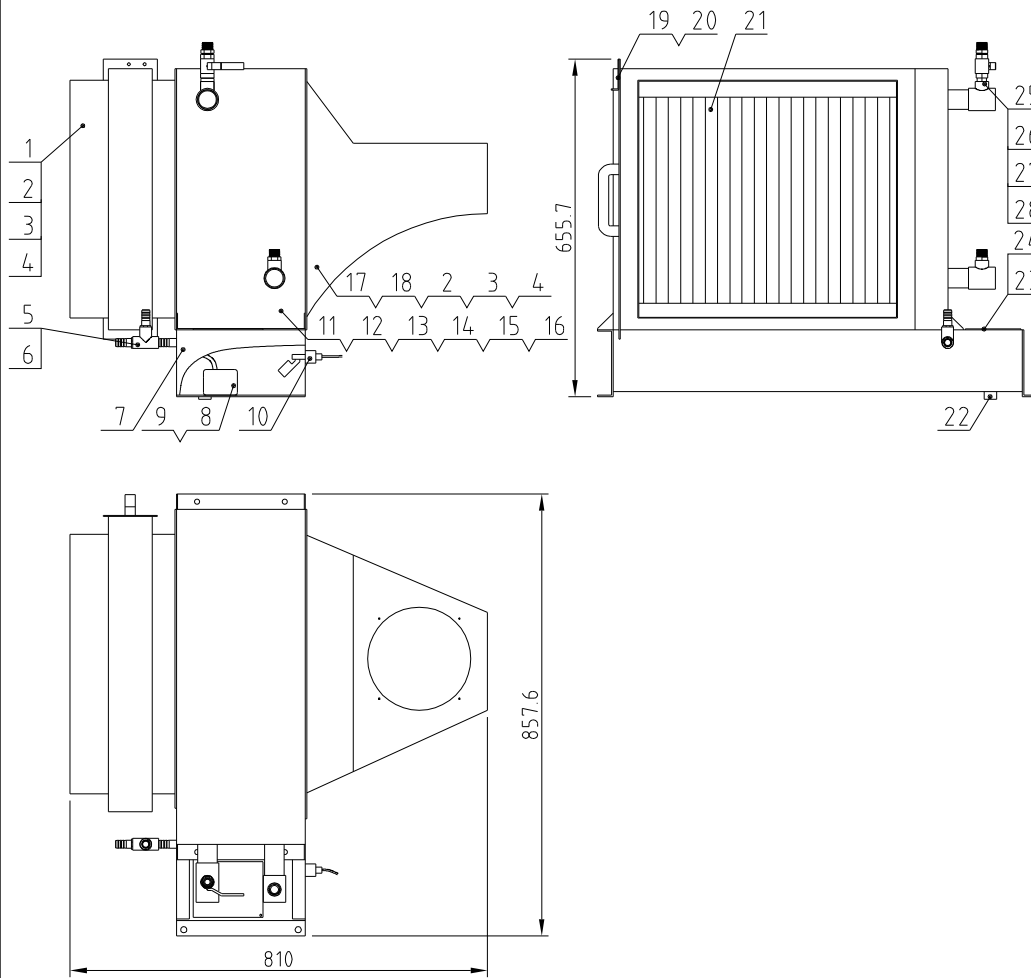


36	YW11062700000	Bearing 627ZZ1MC3E		1
35	BH33702200010	Gear motor mount plate 2 SD-700H-B-22		1
34	BH33702300010	Fixed shaft SD-700H-B-23		1
33	BH33700800010	SD-700H-B-24		1
32	YW63032500000	Cover recessed pin head screw Q19-100 M5-Longline		2
31	YW63040600000	Cover recessed pin head screw Q19-100 M5-Longline		3
30	BL04.402200020	Micro switch fixed piece SD-100H-B-10 (Ver.A)	SUS201	1
29	YE14511200000	Limit switch YBLAX-5/11G2	assembly	1
28	YR40000600600	Hexagonal nut SD-200H-B-10 (Ver.A)	ABS	1
27	YW08001400000	Systematic belt pulley 44 tooth SD-100H-B-10 (Ver.A)	45	1
26	SMD-1000H-B-05	Regeneration diffuser board	SUS201	1
25	YW68004500000	Lower hanger flat end nut screw Q170 M5-Longline		3
24	YW62061500000	Long screw socket flat head screw Q170 M5-Longline		4
23	SMD-1000H-B-03	Drying diffuser board	SUS201	1
22	YW05316500100	Right angle punch connector Q170 M5-Longline		1
21	YW62051500000	Long screw socket flat head screw Q170 M5-Longline		4
20	SMD-1000H-B-06	Air inlet pipe sealing washer	white silica gel	1
19	SMD-1000H-B-04	Lower cover air inlet pipe	Weldment	1
18	YW63043500000	Cover recessed pin head screw Q19-100 M5-Longline		2
17	SD-400H-A-40	Belt regulator	assembly	1
16	YW61069000000	Lower hanger cylinder head screw Q170 M5-Longline		4
15	BH10070001510	Positioning pipe SD-400H-B-10 (Ver.B)	AL6061	4
14	YW68051000000	Lower hanger flat end nut screw Q170 M5-Longline		2
13	BH10020003110	Honeycomb mount shaft SD-200H-B-10 (Ver.A)	45	1
12	YW66163000000	Flat washer 4 grade Q170.1 10-Longline		8
11	YW65006000100	Standard spring washer Q170 6-Longline		8
10	YM50512600000	Gear motor SD-100H-B-22		1
9	SMD-1000H-B-02	Honeycomb upper cover	Weldment	1
8	YW64001600000	Hexagonal nut Q170 M5-Longline		12
7	YW66163000000	Flat washer 4 grade Q170.1 10-Longline		9
6	YW01180300000	Spring/washer dia.: 10mm wire dia.: 0.5mm L: 10mm		4
5	YW71044000800	Honeycomb Q19-100 M5-Longline (Ver.A)		1
4	BH10533000010	Double head screw SD-100H-B-10 (Ver.B)	SUS200	4
3	YR00305800000	Systematic belt pulley 44 tooth 45 (Ver.A)	rubber	1
2	SMD-1000H-B-07	Silica gel Teflon gasket	fluorinated silica gel	2
1	SMD-1000H-B-01	Honeycomb lower cover	Weldment	1

序号	代号	名称	材质	数量	备注
		标题 SMD-1000H	图号 SMD-1000H-B-ALL	比例 1:8	数量 1
		蜂巢组件		材质	/
		表面要求		/	
		物料号		/	

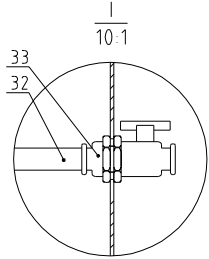
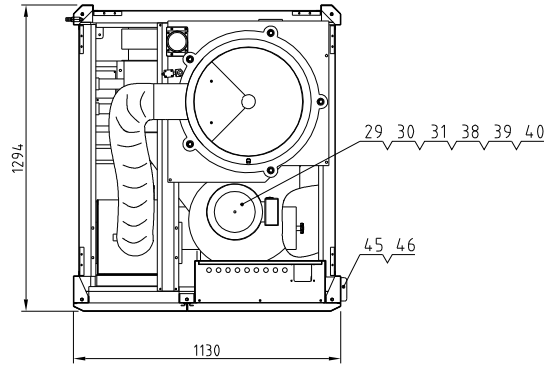
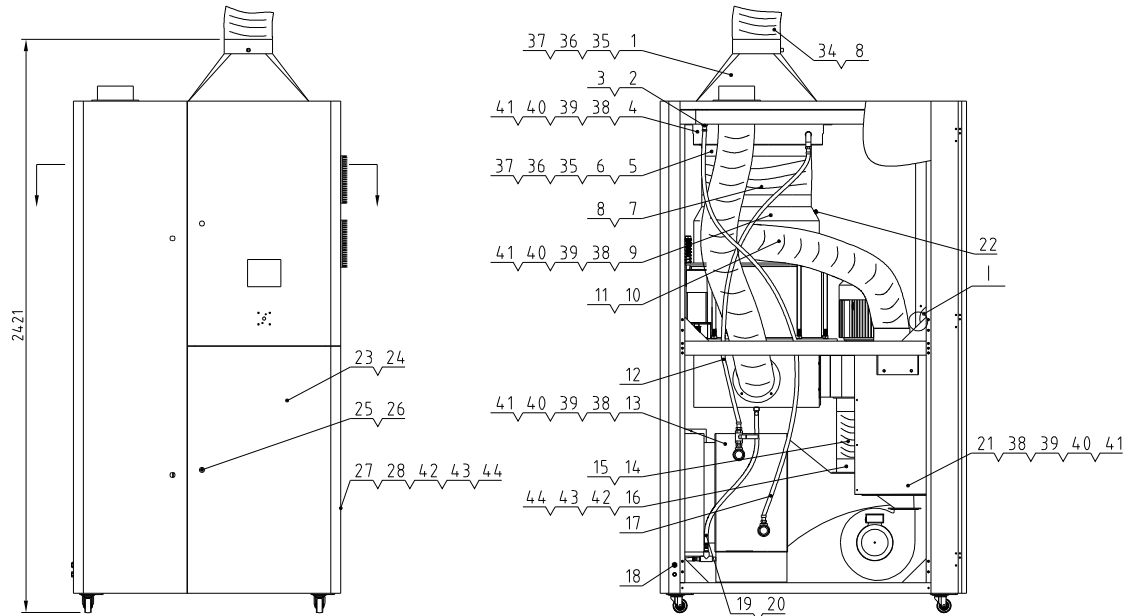
制图	设计	校对	审核	制图日期	设计日期	校对日期	审核日期
标记	更改前	更改后	更改人	日期	标记	更改前	更改后

SHINI 信易电热机械股份有限公司
Shini Plastics Technologies, Inc.



28	BH12101000010	Tonflon pipe connector 1" PT*1/2 male thread(S-94)	H58	2	
27	YW50010000000	Copper ball valve 1" assembly		1	
26	YW55001000000	Stainless steel pipe pipe connector 1" PT male thread(S202)	SUS304	1	
25	YW52105100000	Galvanized water pipe three way 1.5寸*1寸	Q235A	2	
24	YW62041000000	Large cross socket flat head screw JIS1111 M10-Longzine		2	
23	SMD-1000H-C-02	Water pump cover plate	SUS201	1	
22	YW80010200100	plug 1/4	SUS201	1	
21	YW90100070300	Filter element SMD-1000H-C-07 assembly		1	
20	YW62061000000	Large cross socket flat head screw JIS1111 M10-Longzine		1	
19	SMD-1000H-C-08	Filter baffle	SUS201	1	
18	SMD-1000H-C-09	Air collective cover gasket	EVA	1	
17	SMD-1000H-C-04	Air collective cover	SUS201	1	
16	YW64080600000	Hexagonal nut GB/T6170 M8-Longzine		4	
15	YW66081900000	Flat washer 8x19x2.0Longzine		4	
14	YW65008000100	Standard spring washer GB/T93 8-Longzine		4	
13	YW60082000200	Hexagon screw bolt GB/T5783 M8x20-8.8-Longzine		4	
12	SMD-1000H-C-05	Cooler gasket	EVA	1	
11	YW88100600600	Cooler 1 SMD-1000H-C-06 assembly		1	
10	YE90001600000	Side mounted plastic ballball type liquid level switch 1/2" NPT water tank	assembly	1	
9	YR60000400000	PU air pipe φ12 black 100M/roll	PU	2	
8	YM20245000100	Submersible pump K2050L, head 115M, flow 400L/h, power 10W		1	
7	SMD-1000H-C-01	Dew channel	SUS201	1	
6	BH12121600010	CuCopper joint 1/2" PT*φ16(S-133)	H58	2	
5	YW52100200000	Galvanized water pipe three way 1/2"	Q235A	1	
4	YW66061300000	Flat washer A grade GB/T97.1 6-Longzine		24	
3	YW65006000100	Standard spring washer GB/T93 6-Longzine		24	
2	YW60061500100	Hexagon screw bolt GB/T5783 M6x16-12.9-Longzine		24	
1	SMD-1000H-C-03	Filter cover	SUS201	1	
序号	代号	名称	材质	数量	备注

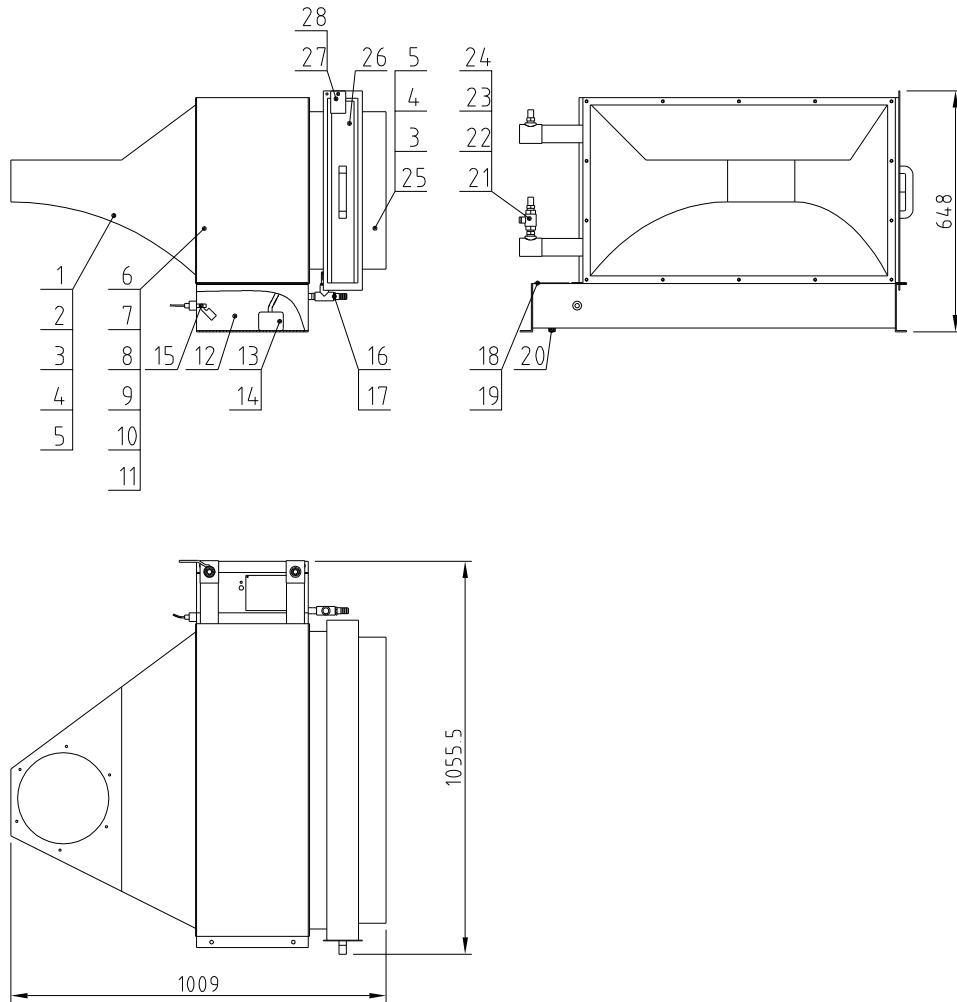
					制图	版号	标题	SMD-1000H	图号	SMD-1000H-C-ALL	比例	1:13	数量	1
					设计	核准	冷却器组件					材质	/	
					校对			信易電熱機械股份有限公司	Shini Plastics Technologies, Inc.	表面要求	/			
标记	更改前	更改后	更改人	日期	审核	日期				物料号	/			



46	YW63040600000	Cross recess pan head screw Q1910 M6xLongline		4	
45	YW90120700000	Aluminum cooler 30-40W-20(Ver. A) (black)	6061	2	
44	YW66061300000	Flat washer A grade Q219T.1 F-Longline		10	
43	YW65005200000	Standard spring washer Q219T.1 F-Longline		10	
42	YW62051000100	Long cross section flat head screw Q219T.1 M6xLongline		10	
41	YW64080600000	Hexagon nut Q219T.1 M6-Longline		15	
40	YW65008000100	Standard spring washer Q219T.1 F-Longline		28	
39	YW66081900000	Flat washer Q219T.2.0 Longline		31	
38	YW60082500100	Hex. bolt Q219T.1 M6x5-12.9-Longline		28	
37	YW66061300000	Flat washer A grade Q219T.1 F-Longline		24	
36	YW65006000100	Standard spring washer Q219T.1 F-Longline		24	
35	YW66061500100	Hex bolt Q219T.1 M6x5-12.9-Longline		24	
34	YW72105000100	Flexible air pipe10"φ40(CI-11PVC)	PVC	1	
33	YW80066100100	Flat wire mesh 10"φ40 type filter for final filter unit	Assembly	1	
32	YR60006400100	Transparent teflon air pipe for fan	PTFE	2	
31	SMD-2000H-09	Blower air inlet Sealing washer 2	EVA	1	
30	SMD-2000H-05	Sealing washer 1	EVA	1	
29	YM30001100400	Motor unit with fan P1100000000 Ver.2.0.1	Assembly	1	
28	YE67501500000	Cable head M50φ1.5		2	
27	BL50360000020	Thin flange front plate P2000 20"φ40 hole	SPCC	2	
26	YW00816100600	Door lock (MS116-1 blk. without key)	Assembly	4	
25	YW00816100000	Door lock (MS116-1 blk. with key)	Assembly	2	
24	YR90521300000	ABS handle for door lock 10.1"φ40 10.1" hole	ABS	6	
23	SMD-2000H-A-ALL	Rack metal plate	Assembly	1	
22	YW80602100100	Stainless steel handle strap joint P2000 10"φ40	SUS	1	
21	SMD-2000H-D-ALL	heating case	Assembly	1	
20	YW02182900000	Stainless steel pipe 10"φ40 10" length	SUS	4	
19	YR60161604000	Horizontal pipe 10"φ40 10" length	Assembly	1	
18	YW80122200100	Flange straight joint P2000 10"φ40	Assembly	1	
17	YW59011700100	Motor connector (P4) 10"φ40 10" length	Assembly	1	
16	SMD-2000H-04	Air inlet flange	Assembly	2	
15	YW02010500000	Stainless steel clamp 11" (20"-280MM)	Assembly	4	
14	YW72100400000	Heat resistant pipe 10"φ40 10" length	Assembly	0.07	
13	SMD-2000H-C-ALL	Cooler Assembly	Assembly	1	
12	YW59011300000	Motor connector (P4) 10"φ40 10" length	Assembly	1	
11	YW02006500000	Stainless steel pipe 10"φ40 10" length	SUS201	4	
10	YW72060400000	Heat resistant pipe 10"φ40 10" length	Assembly	1	
9	SMD-2000H-B-ALL	Honeycomb assembly	Assembly	1	
8	YW02008000000	Stainless steel pipe 10"φ40 10" length	SUS201	10	
7	YW90182400000	Clamp air pipe 10"φ40 10" length	PVC	1	
6	SMD-2000H-06	Sealing gasket 2	EVA	2	
5	SMD-2000H-02	Outlet air flange	Weldment	1	
4	YW88200000000	Cooler 2 SMD-2000H-01	Assembly	1	
3	BH12101000010	Carbon pipe connector 17"φ40 10" length	Assembly	2	
2	YW53100000000	Galvanized water pipe elbow 1"	Assembly	2	
1	SMD-2000H-03	Air outlet hood	Weldment	1	

制图	版号	标题	图号	比例	数量	备注
设计	核准	SMD-2000H	SMD-2000H-ALL	1:20	1	
校对		模具除湿机		材质	/	
标记	更改前	更改后	更改人	日期	审核	日期
				表面要求	/	
				物料号	/	



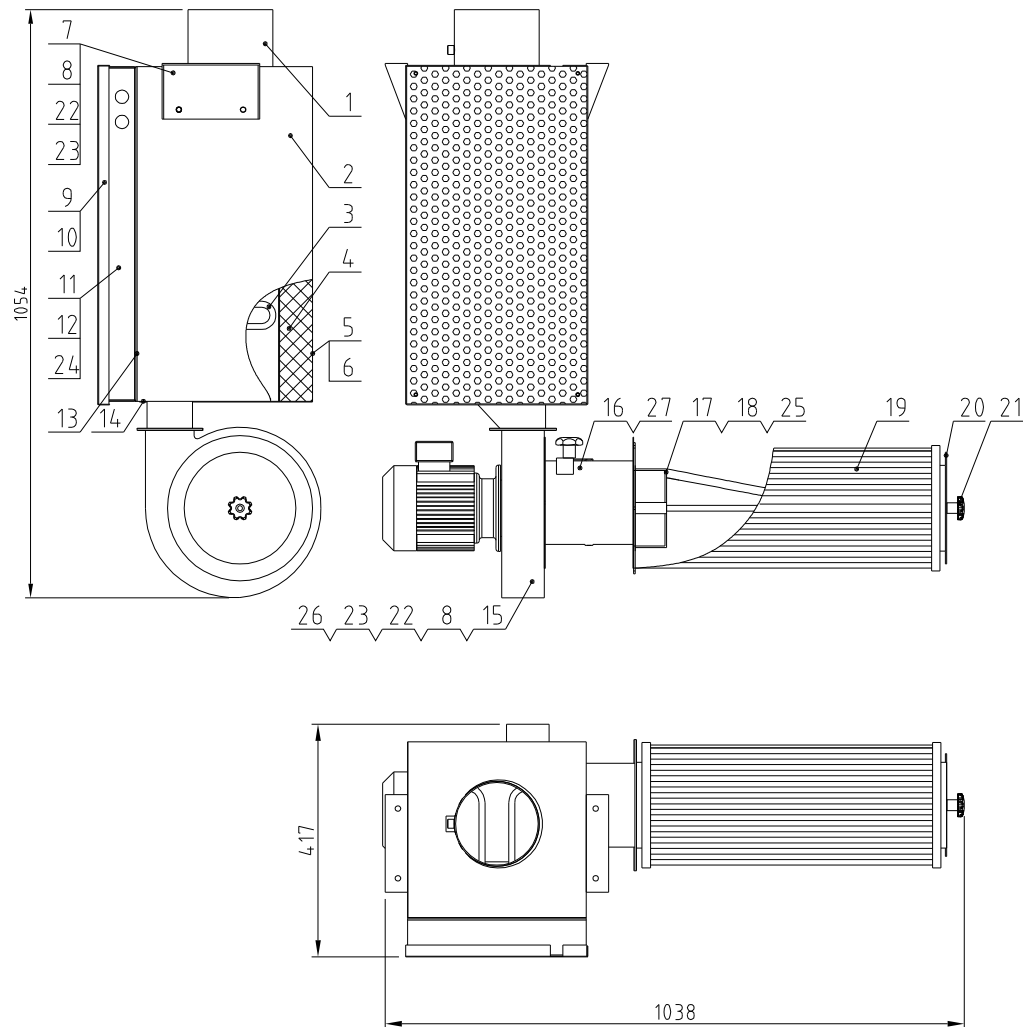


28	YW62061000000	Large cross socket flat head screw JIS1111 Wash-Longzine		1	
27	SMD-2000H-C-08	Filter baffle	SUS201	1	
26	YW90200000300	Filter element SMD-2000H-C-07	Assembly	1	
25	SMD-2000H-C-03	Filter cover	Weldment	1	
24	YW50010000000	Copper ball valve 1"	Assembly	1	
23	BH12101000010	Tonfion pipe connector 1" PP4" male thread(S-94)	H58	2	
22	YW55001000000	Stainless steel water pipe connector 1"PT male thread(S234)	SUS304	1	
21	YW52105100000	Galvanized water pipe three way 1.5"4"	Q235	2	
20	YW80010200100	plug 1/4	SUS201	1	
19	YW62041000000	Large cross socket flat head screw JIS1111 Wash-Longzine		2	
18	SMD-2000H-C-02	Water pump cover plate	SUS201	1	
17	BH12121600010	Copper joint 1/2" PT*φ16(S-133)	H58	2	
16	YW52100200000	Galvanized water pipe three way 1/2"	Q235	1	
15	YE90001600000	Side mounted plastic ballball type liquid level switch 1/2" water tank	PP	1	
14	YR60000400000	PU air pipe φ12 black 100M/roll	PU	0.02	
13	YM20245000100	Submersible pump K2450L, head 1150L, flow 600L/h, power 10W	Assembly	1	
12	SMD-2000H-C-01	Dew channel	Weldment	1	
11	YW64080600000	Hex. nut GB/T6170 M8-Longzine		4	
10	YW66081900000	Flat washer 8x19x2.0 Longzine		4	
9	YW65008000100	Standard spring washer GB/T93 8-Longzine		4	
8	YW60082000200	Hex bolt GB/T5783 M8x20-8.8-Longzine		4	
7	SMD-2000H-C-05	Cooler gasket	EVA	1	
6	YW88200001400	Cooler SMD-2000H-C-06/02	Assembly	1	
5	YW66061300000	Flat washer A grade GB/T97.1 6-Longzine		28	
4	YW65006000100	Standard spring washer GB/T93 6-Longzine		28	
3	YW60061500100	Hexagon screw bolt GB/T5783 M6x16-12.9-Longzine		28	
2	SMD-2000H-C-09	Air collective cover gasket	EVA	1	
1	SMD-2000H-C-04	Air collective cover	Weldment	1	
序号	代号	名称	材质	数量	备注

					制图	版号	标题	SMD-2000H	图号	SMD-2000H-C-ALL	比例	1:18	数量	1
					设计	核准	冷却器一					材质	/	
					校对						表面要求		/	
标记	更改前	更改后	更改人	日期	审核	日期					物料号		/	



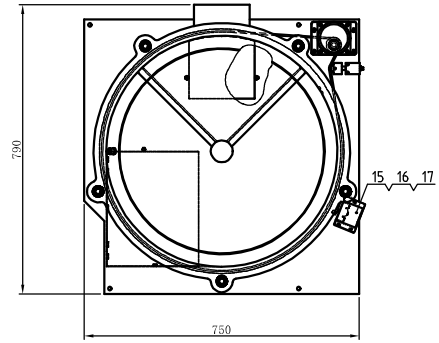
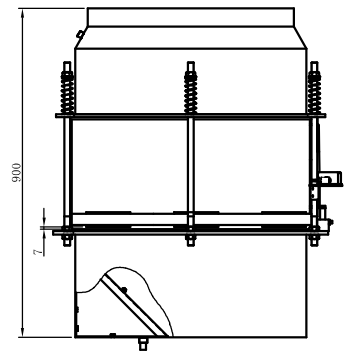
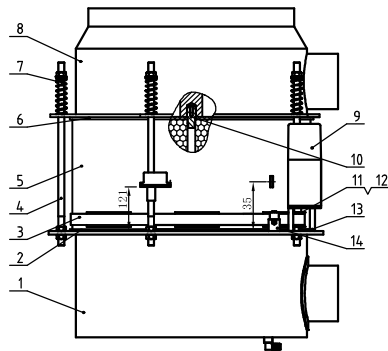
信易電熱機械股份有限公司
Shini Plastics Technologies, Inc.



27	SMD-2000H-08	blower inlet sealing gasket	EVA3.0	1	
26	SMD-2000H-07	Sealing gasket 3	EVA3.0	1	
25	YW64050300000	Hexagon nut GB/T6170 M5-Longzine		4	
24	YW66061300000	Flat washer A grade GB/T97.1 6-Longzine		16	
23	YW65008000100	Standard spring washer GB/T93 8-Longzine		8	
22	YW66081900000	Flat washer 8x19x2.0 Longzine		8	
21	YW09115600000	Big hex nut M14.5 S10-10-4002-0-51 (Material: aluminum alloy)		1	
20	SMD-2000H-D-12	Filter pressing plate	SECC2.0	1	
19	YR5024.14.00100	Filter ACS rubber fastener(SMD-2000H-D-12) Ver.C		1	
18	YW62051500000	Large cross socket flat head screw JIS1111 M16x5-Longzine		4	
17	SMD-2000H-D-07	Filter fixed plate	SPCC	1	
16	SMD-2000H-D-13	Air regulating valve	SUS201	1	
15	YM30000500300	Multi-hole extruding blow pipe IP-3 30/200/200/200/200 4.500 30		1	
14	SMD-2000H-D-16	Heating box cover plate 3	SPCC	1	
13	SMD-2000H-D-11	Heat insulation pad	Silica gel	1	
12	YW62061500000	Large cross socket flat head screw JIS1111 M16x5-Longzine		16	
11	SMD-2000H-D-03	Pipe heat mounting plate	SECC2.0	1	
10	YW62051000100	Large cross socket flat head screw JIS1111 M16x5-Longzine		4	
9	SMD-2000H-D-04	Heating box cover plate	Q235A	1	
8	YW60082500100	Hex. bolt GB/T5783 M8x25-12.9-Longzine		8	
7	SMD-2000H-D-08	Heating box fixing plate	SPCC3.0	2	
6	YW69040900000	Open end flat round head aluminum blind rivets GB/T 1633 4#		9	
5	SMD-2000H-D-02	Heating box cover plate 1	SECC1.5	1	
4	YP6282014.0000	Fireproof felt thickness:14mm length:200mm width:1M		0.028	
3	BH70200002350	Pipe heater 240W/φ200/450V (SMD-2000H-D-10) 0 type		1	
2	SMD-2000H-D-05	Heating box cover plate 2	SECC1.5	1	
1	SMD-2000H-D-01	Heating box body	Weldment	1	
序号	代号	名称	材质	数量	备注

					制图	版号	标题	SMD-2000H	图号	SMD-2000H-D-ALL	比例	1:12	数量	1
					设计	核准	加热箱					材质	/	
					校对						表面要求		/	
标记	更改前	更改后	更改人	日期	审核	日期					物料号		/	

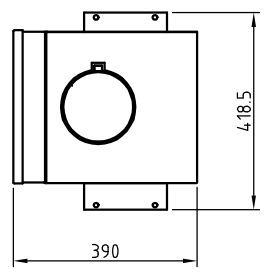
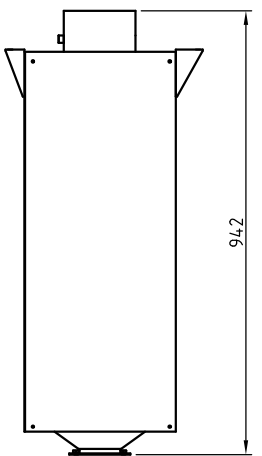
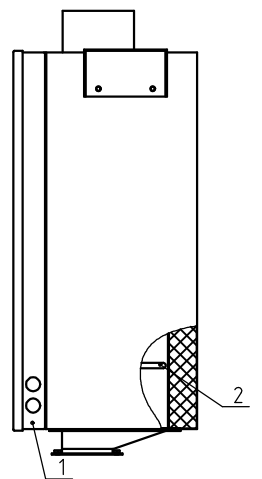




17	BL04402200020	Hex nut M3.5x0.5-22mm-A1		1	
16	YE14511200000	Last nut M3.5x0.5-22		1	
15	YR400006000600	Hex screw M3.5x0.5-22mm-A1		1	
14	BH10200002610	Ball regulator S2-2000H-A-39		1	
13	BH13100900010	Pushing pin S2-2000H-B-19L1Y1		4	
12	BH11301000010	Synchronizing steel ball pin SMD-3000H-B-07041		1	
11	YW09151100000	Synchronizing wheel SMD-3000H-B-11		1	
10	BH11101300010	Swingarm SMD-3000H-B-10		2	
9	YM10960000000	Gear motor EP0906000000		1	
8	BL09300000020	Honeycomb upper cover SMD-3000H-B-01		1	
7	YW01180300000	Spring liner dia. 3mm wire dia. 0.2mm L. 80mm		5	
6	YR10200010300	Upper cover base ring SMD-3000H-B-01000		1	
5	YW71065000800	Honeycomb 0.05mm SMD-3000H-B-01000		1	
4	BH10543000010	Double-head screw S2-2000H-B-01000		5	
3	YR00358600000	Synchronizing ball SMD-3000H-B-01000		1	
2	YR10200010200	Lower cover and ring SMD-3000H-B-01000		1	
1	BL09300000120	Honeycomb lower cover SMD-3000H-B-01		1	

序号	代号	名称	材质	数量	备注
		标题 SMD-3000H			
		图号 SMD-3000H-B-ALL			
		蜂巢组件			
		SHINI 信昌电热机械股份有限公司	表面要求		
		Shini Plastics Technologies, Inc.	物料号		

制图	版号	比例	数量
设计	核		
校对	准		
标记	日期		
更改前	更改后	更改人	日期
审核	日期		



2	BH70300002450	Pipe heater 30KW3x230V/400V (SMD-3000H-D-10M)		1	
1	SMD-3000H-D-03	Pipe heater mount plate		1	
序号	代 号	名 称	材 质	数 量	备 注

					制图		版号		标题	SMD-3000H	图号	SMD-3000H-D-ALL	比例		数量	
					设计		核		加热箱					材质		
					校对		准		信易電熱機械股份有限公司 Shini Plastics Technologies, Inc.			表面要求				
标记	更改前	更改后	更改人	日期	审核		日期			物料号						