

机型版本 Ver.E

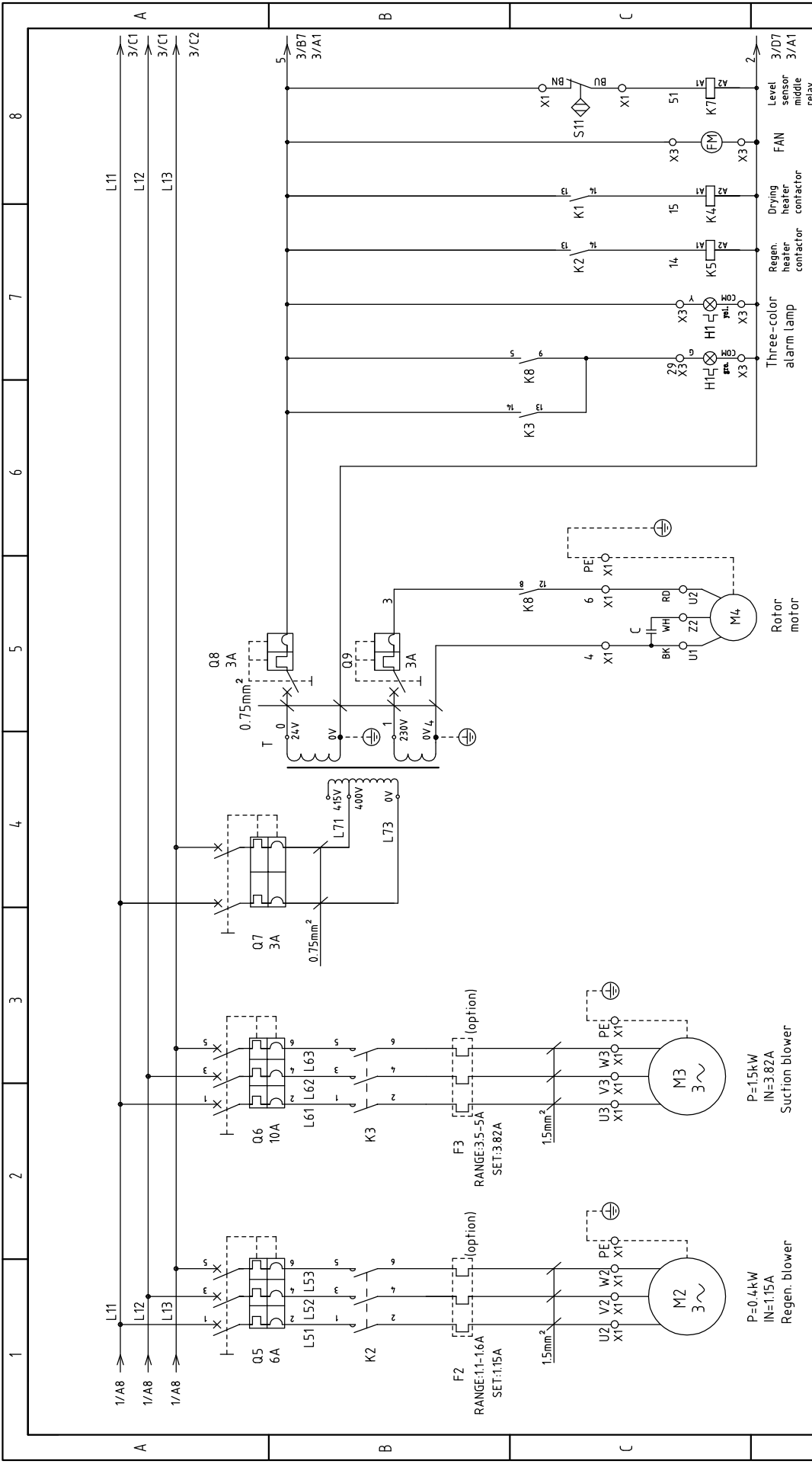
D	SCD-20U(40U)/30H-OP-PUPM	SCD-20U(40U)/30H-OP	Version	F	Title		SCD-20U(40U)/30H-OP Main Circuit Diagram 1	Drawing NO. SCD-20U(40U)/30H-OP-CE-400V-F-1	Scale	Page 1
			Approved by		Standard					
Mark	Before modification	Modified by	Modify date	Checked by	Date	Voltage		Frequency		
					20190930	3Φ400V		50HZ		



P=0.4kW
IN=1.15A
Drying blower

P=3kW
IN=4.5A
Regen. heater

P=3kW
IN=4.5A
Drying heater



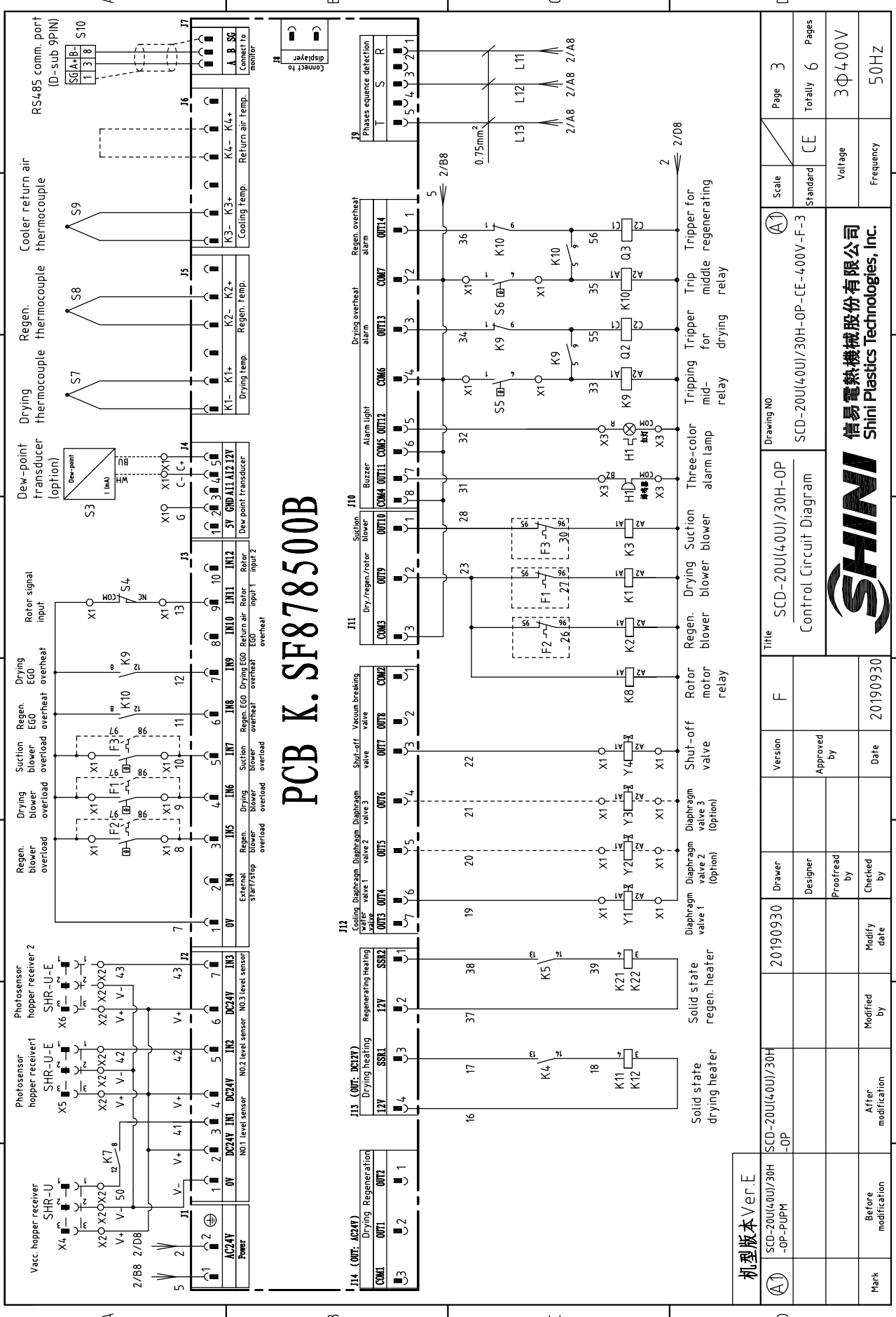
机型版本 Ver.E		SCD-20U(40U)/30H-OP		SCD-20U(40U)/30H-OP		SCD-20U(40U)/30H-OP-CE-400V-F-2		Page 2	
A		Designer		F		Standard		CE	
Mark		Modified by		Date		Voltage		Frequency	
Before modification		After modification		20190930		3Φ400V		50HZ	
Modified date		Checked by		Approved by		Scale		Totally 6 Pages	
20190930						A		Page 2	
3		4		5		6		7	
1		2		3		4		5	
6		7		8		9		10	



 信易電熱機械股份有限公司

 Shini Plastics Technologies, Inc.

PCB K. SF878500B

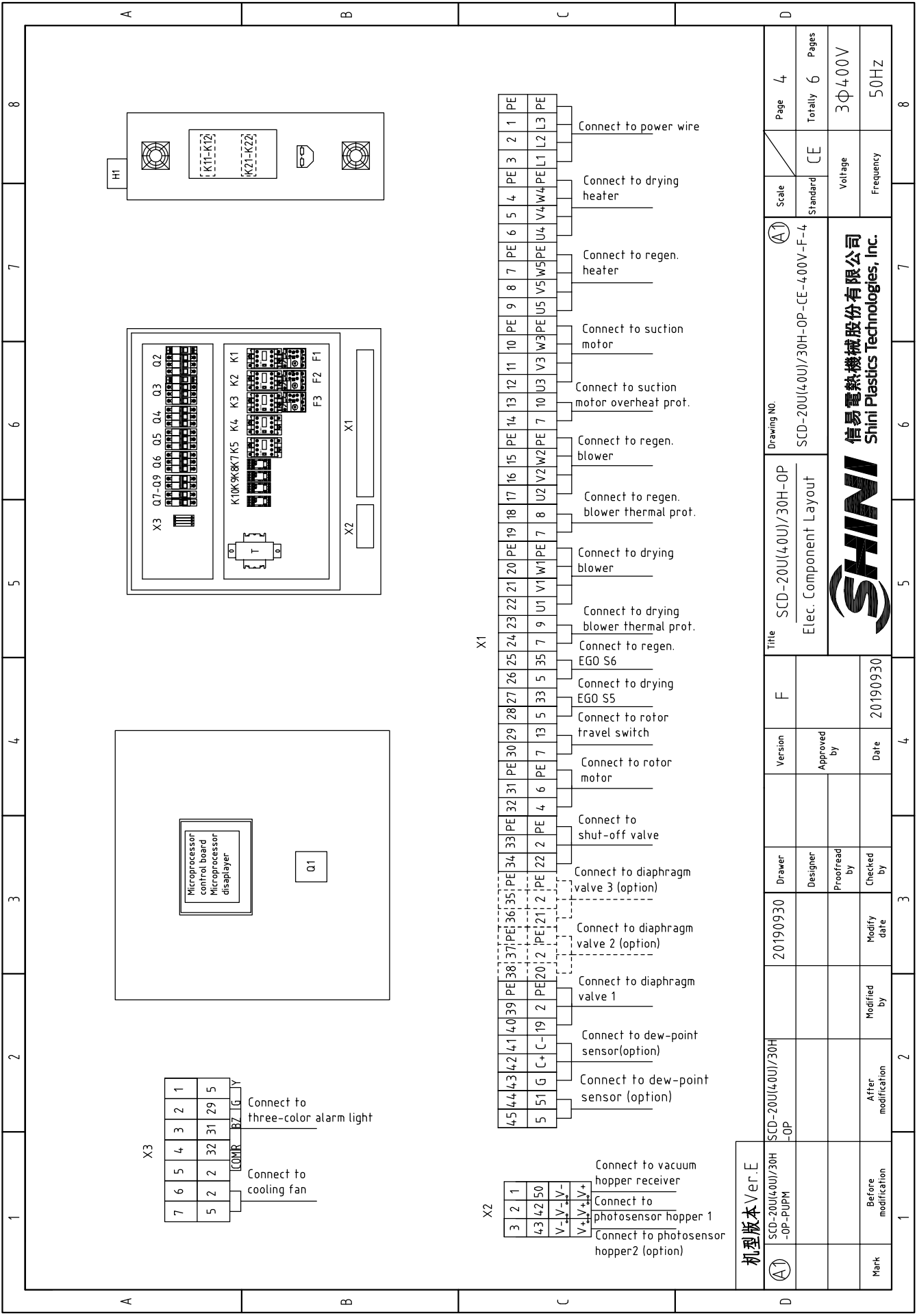


机型版本 Ver.E		Title		Scale		Page	
SCD-20U(40U)/30H-OP-PUPM		SCD-20U(40U)/30H-OP Control Circuit Diagram		Standard CE		3	
Designer		Version		F		Totally 6	
Proofread by		Approved by				Pages	
Checked by		Date		20190930		Voltage	
Modified by		Date		20190930		Frequency	
After modification		Date				3Φ 400V	
Mark		Date				50HZ	



Drawing NO.

SCD-20U(40U)/30H-OP-CE-400V-F-3

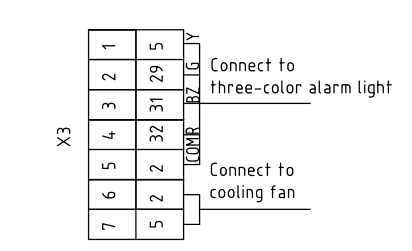
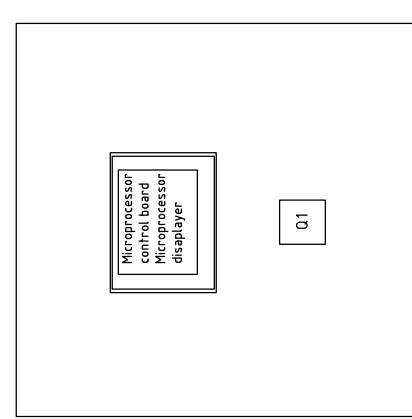
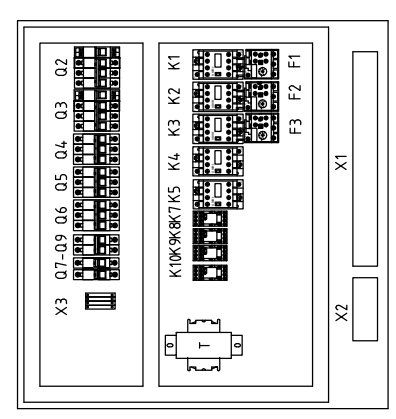
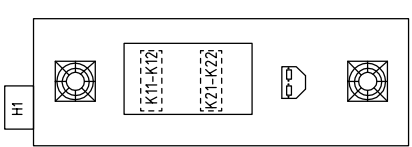


机型版本 Ver.E		SCD-20U(40U)/30H-OP-PUPM		SCD-20U(40U)/30H-OP		Version		F		Title		SCD-20U(40U)/30H-OP		Scale		Page	
				20190930		Designer		Proofread by		20190930		Elec. Component Layout		Standard		4	
						Checked by		Date		20190930		Voltage		CE		Totally 6	
Mark		Before modification		Modified by		Modify date						Frequency				Pages	
												3Φ400V				8	
												50HZ					



Drawing NO. SCD-20U(40U)/30H-OP-CE-4.00V-F-4

- 3 2 1 Connect to vacuum hopper receiver
- 43 42 50 Connect to photosensor hopper 1
- V₋ V₊ V₋ V₊ Connect to photosensor hopper2 (option)
- 45 44 43 42 41 40 39 PE 38: 37 PE 36: 35 PE 34 33 PE 32 31 PE 30 29 28 27 26 25 24 23 22 21 20 PE 19 18 17 16 15 PE 14 13 12 11 10 PE 9 8 7 PE 6 5 4 PE 3 2 1 PE
- 5 51 G C+ C- 19 2 PE 20 2 PE 21 2 PE 22 2 PE 4 6 PE 7 13 5 33 5 35 7 9 U1 V1 W1 PE 7 8 U2 V2 W2 PE 7 10 U3 V3 W3 PE U5 V5 W5 PE U4 V4 W4 PE L1 L2 L3 PE
- Connect to power wire
- Connect to drying heater
- Connect to regen. heater
- Connect to suction motor
- Connect to suction motor overheat prot.
- Connect to regen. blower
- Connect to regen. blower thermal prot.
- Connect to drying blower
- Connect to drying blower thermal prot.
- Connect to regen. EGO S6
- Connect to drying EGO S5
- Connect to rotor travel switch
- Connect to rotor motor
- Connect to shut-off valve
- Connect to diaphragm valve 3 (option)
- Connect to diaphragm valve 2 (option)
- Connect to diaphragm valve 1
- Connect to dew-point sensor (option)
- Connect to dew-point sensor (option)



1	2	3	4	5	6	7	8		
NO.	Symbol	Name	Manufacturer	Type	Specification	Number	Material number	Remark	
1	Q1	Main power switch	EATON	P1-25/EA/SVB	25A	1	YE10125250000		
2	Q2 Q3 Q6	Circuit breaker	TECO	BM-63C 3P	10A	3	YE40301003000		
3		Excitation release	YIJIN	MX	24V 50/60Hz	2	YE40024000000		
4	Q4 Q5	Circuit breaker	TECO	BM-63C 3P	6A	2	YE40300603000		
5	Q7	Circuit breaker	TECO	BM-63C/2003S 3A 2P	3A	1	YE40200203000		
6	Q8 Q9	Circuit breaker	TECO	BM-63C/1003S 3A 1P	3A	2	YE40100203000		
7	K1 K2 K3	Contact	SIEMENS	3RT6016-1AB01-24VAC	24V 50/60Hz	3	YE00601602500		
8	K4 K5	Contact	SIEMENS	3RT6017-1AB01-24VAC	24V 50/60Hz	2	YE00601702500		
9	K7 K8 K9 K10	Middle relay	Honeywell	GR-2C-AC24V	Base PGR-2C-E	4	YE03022400300		
10	K11 K12 K21 K22	Solid state relay	FOTEK	KSR-40DA-H	40A/480VAC/4-32VDC	4	YE03404003200		
11	F1 F2	Thermal overload relay	SIEMENS	3RU6116-1AB0	1.1-1.6A	2	YE01160110000	(4)	
12	F3	Thermal overload relay	SIEMENS	3RU6116-1FB0	3.5-5A	1	YE01160350000	(4)	
13	PCB	Microprocessor control board+ Microprocessor display/P(B	PUMP	K.SF878500B	AC24V	1	YE81878500300		
14	T	Transformer	JIUXIN	IN=400V/415V OUT=24V	120VA 230V 350MA	1	YE70040007300		
15	S1	Reed switch/Level switch	FOTEK	FC-12V	24VDC	1	----	(1)	
16	S2	Photoelectric switch	FOTEK	T18-3MNB-PE	24VDC	1	----	(1)	
17	S3	Dew-point transducer	SUTO	217-OEM	POWER=24VDC OUT=4-20mA	1	YE90021700100	(1) (2)	
18	S4	Micro switch	TEND	LXW5-11G1	250V 5(4)A	1	----	(1)	
19	S5 S6	Thermal overload relay	EGO	WR-A-50-300-2500-3	250V 5(4)A	2	----	(1)	
20	S7,S8,S9	Thermocouple	SHINI	ST-K	K	3	----	(1)	
21	S10	Comm. interface board RS-485 (double Dsub-9pin connector)	YUYUN	---	485T0Dsub_V23	1	YE90048501200		
22		Shell RS485(SAL-700G-A-19)ver.0	BINGCHENG	---	---	1	YR40048500000		
23	S11	Level sensor	IFM	KI0020-BB0A	20-250V AC/DC	1	YE15002000000	(1)	
24	Y1 Y4	Solenoid valve	Airtac	4V210-06	AC24V	2	----	(1)	
25	Y2 Y3	Solenoid valve	Airtac	4V210-06	AC24V	2	----	(1)(3)	
机型版本 Ver.E		Notes:(1)Materials not in the control box;(2) With dew-point transducer;(3)Optional 1-to-2(-M2) model;(4) Optional thermal overload relay;							
SCD-200U(4.0U)/30H-OP-PUMP		20190930		Designer		SCD-200U(4.0U)/30H-OP		Scale	
		Proofread by		Approved by		Elec. Parts List 1		Standard	
Mark		Before modification		Checked by		Voltage		Page 5	
		Modify date		Date		Frequency		Totally 6 Pages	
		20190930		20190930		3Φ400V		50Hz	

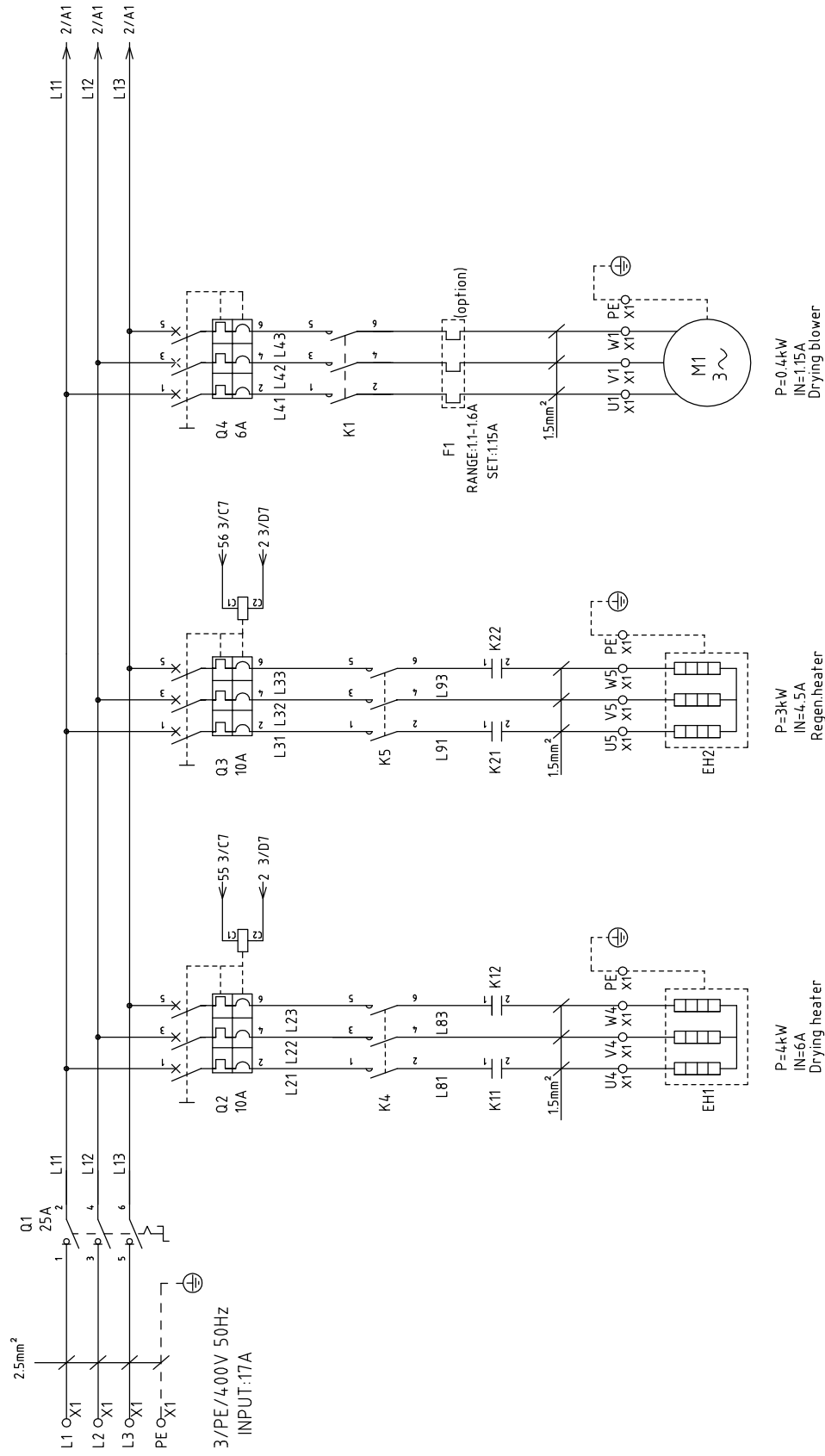


Drawing NO. SCD-200U(4.0U)/30H-OP-F-5

1	2		3		4	5	6	7	8
No.	Symbol	Name	Manufacturer	Type	Specification	Number	Material number	Remark	
26	H1	Three-color alarm light(red,gre,yel.+ buzzer)	SHINI	Priority	24V 50/60Hz	1	BL90002401520	(1)	
27	X1	Terminal board	HONEYWELL	SK4	4mm ²	24	YE60000403200		
28		Terminal board	HONEYWELL	GKSPE	4mm ² PE	6	YE60000403500		
29		Terminal board	HONEYWELL	SK2.5	2.5mm ²	17	YE60002503200		
30		Terminal board	HONEYWELL	GK2.5PE	2.5mm ² PE	3	YE60002503400		
31		Terminal board	HONEYWELL	SK2.5	2.5mm ²	4	YE60002503200	(3)	
32		Terminal board	HONEYWELL	GK2.5PE	2.5mm ² PE	2	YE60002503400	(3)	
33	X2	Terminal board	HONEYWELL	3-layer spring terminal SK2.5-TL	10A 250V	3	YE60002503600		
34		Terminal board	HONEYWELL	FBSTB 10-ZDIK RD	10A 250V	3	YE60001000200		
35		Terminal board	HONEYWELL	SK-2.5TL bridgeware	10A 250V	3	YE60001003600		
36	X3	Terminal board	HONEYWELL	SK2.5	2.5mm ²	7	YE60002503200		
37	X4,X5	Heavy duty connector	Harting	4P+PE(socket)Han 4A-F	4P	2	YE68000401400	(1)	
38	X6	Heavy duty connector	Harting	4P+PE(socket)Han 4A-F	4P	1	YE68000401400	(1) (3)	
39	FM	Fan	SUNON	DP-200A	24VAC 40W	1	-----	(1)	
40	M1	Blower	SHINI	-----	400V 0.4kW	1	-----	(1)	
41	M2	Blower	SHINI	-----	400V 0.4kW	1	-----	(1)	
42	M3	Blower	SHINI	-----	400V 1.5kW	1	-----	(1)	
43	M4	Motor	-----	-----	230V 0.015kW	1	-----	(1)	
44	EH1	Pipe heater	SHINI	-----	400V 3kW	1	-----	(1)	
45	EH2	Pipe heater	SHINI	-----	400V 3kW	1	-----	(1)	
46		Terminal fittings E/GK series	HONEYWELL	-----	E-GK	5	YE60000003900		
<p>机型版本 Ver.E Notes:(1)Materials not in the control box; (2) With dew-point transducer;(3)Optional 1-to-2(-M2) model;(4) Optional thermal overload relay;</p>									
<p>SCD-200U(40U)/30H-OP-PUPM 20190930 Designer Version F Title SCD-200U(40U)/30H-OP Scale Page 6</p>									
<p>SCD-200U(40U)/30H-OP Elec. Parts List 2 Standard CE Voltage 3Φ400V</p>									
<p>Mark Before modification After modification Modified by Modify date Date 20190930 Frequency 50HZ</p>									



信易电热机械股份有限公司
Shini Plastics Technologies, Inc.



P=4kW
IN=6A
Drying heater

P=3kW
IN=4.5A
Regen.heater

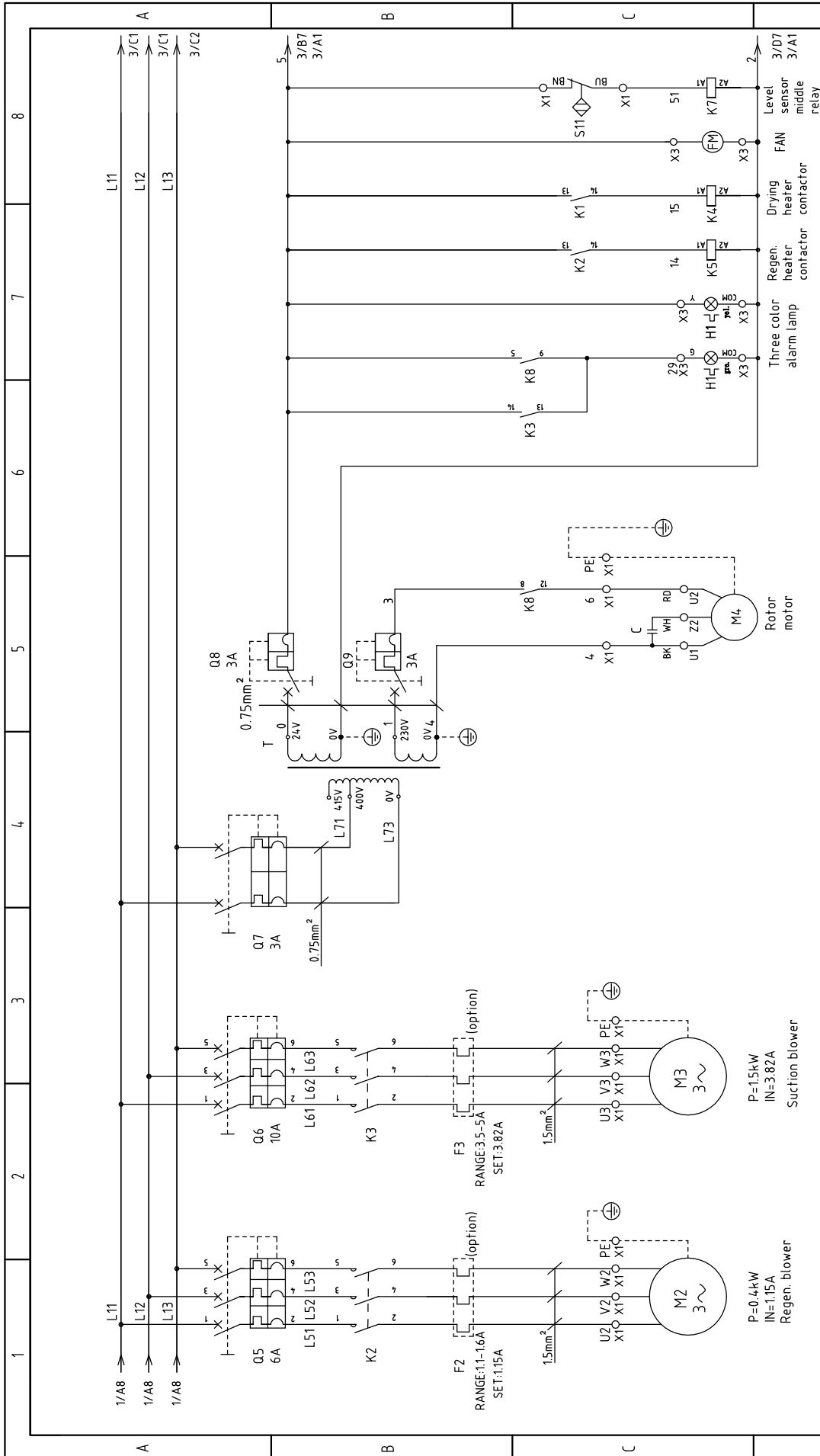
P=0.4kW
IN=1.15A
Drying blower

机型版本 Ver.E	
① SCD-80U/50H-OP-PUPM	SCD-80U/50H-OP
Mark	Before modification
	Modified by
	Modify date
	Checked by
	Proofread by
	Designer
	Drawer
	Approved by
	Version
	F
	Title

SCD-80U/50H-OP		SCD-80U/50H-OP		SCD-80U/50H-OP-CE-400V-F-1		Page 1	
Main Circuit Diagram 1		Standard		CE		Totally 6 Pages	
Voltage		Frequency		Voltage		Frequency	
3Φ400V		50HZ		3Φ400V		50HZ	



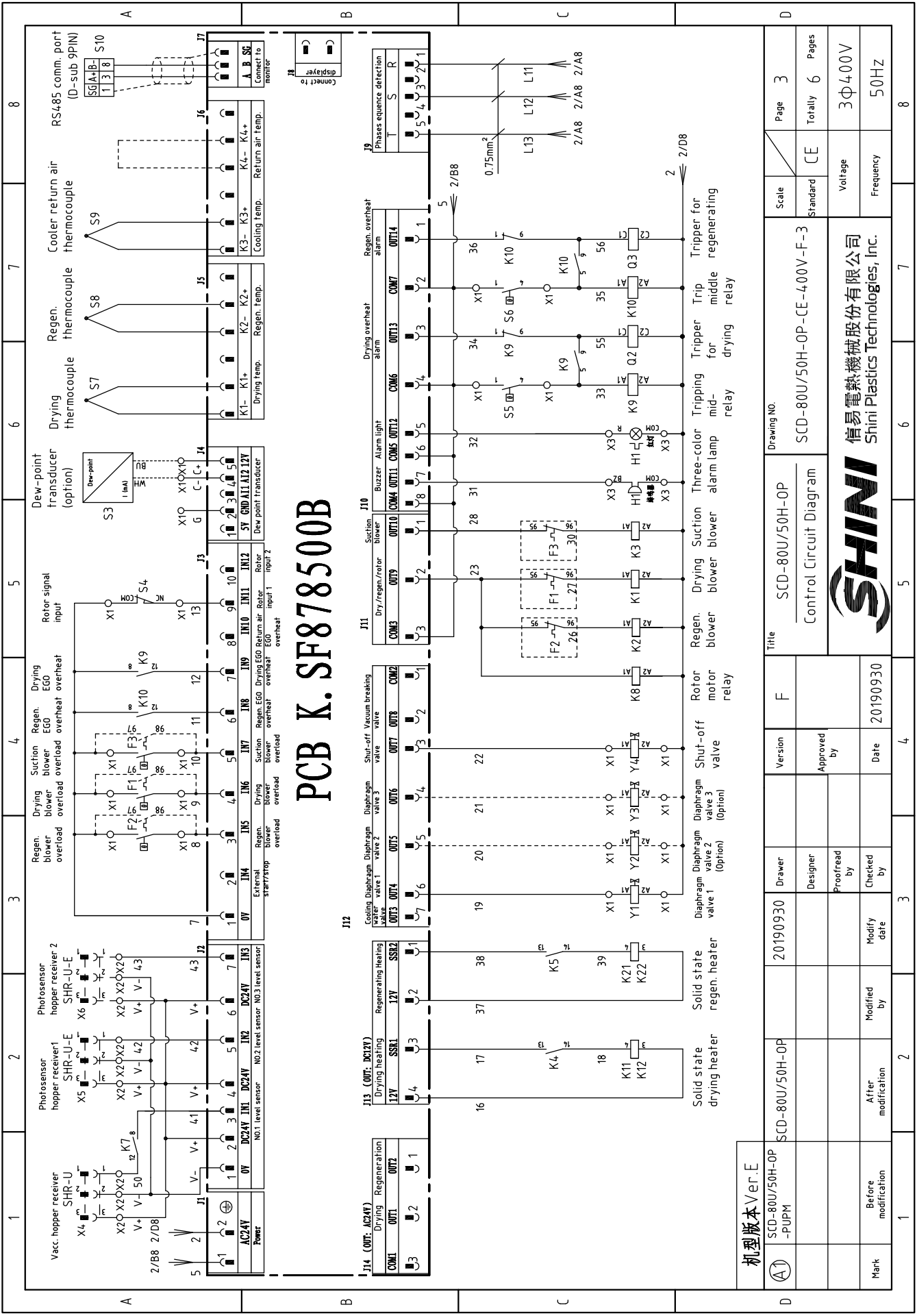
①	SCD-80U/50H-OP	SCD-80U/50H-OP	SCD-80U/50H-OP-CE-400V-F-1	Page 1
Mark	Before modification	Modified by	Modify date	Checked by
	Proofread by	Designer	Drawer	Approved by
	Version	F	Title	Standard
	SCD-80U/50H-OP	Main Circuit Diagram 1		CE
	SCD-80U/50H-OP-CE-400V-F-1		Page 1	
	Voltage		Frequency	
	3Φ400V		50HZ	



机型版本 Ver.E		Title		Scale		Page	
①	SCD-80U/50H-OP-PUPM	SCD-80U/50H-OP	SCD-80U/50H-OP-CE-400V-F-2	Standard	CE	Totally	6
Mark		Date		Voltage		Frequency	
	Before modification	20190930	20190930	3Φ400V		50HZ	
Modified by		Approved by		Frequency		Pages	
	After modification			50HZ		3/6	
Modified date		Date		Voltage		Pages	
	20190930	20190930		3Φ400V		6	
Designer		Approved by		Frequency		Pages	
				50HZ		6	
Proofread by		Date		Voltage		Pages	
		20190930		3Φ400V		6	
Checked by		Date		Frequency		Pages	
		20190930		50HZ		6	
Drawing NO.		Title		Scale		Page	
SCD-80U/50H-OP		Main Circuit Diagram 2		Standard		CE	
SCD-80U/50H-OP-CE-400V-F-2		SCD-80U/50H-OP-CE-400V-F-2		Voltage		3Φ400V	
SCD-80U/50H-OP-CE-400V-F-2		SCD-80U/50H-OP-CE-400V-F-2		Frequency		50HZ	



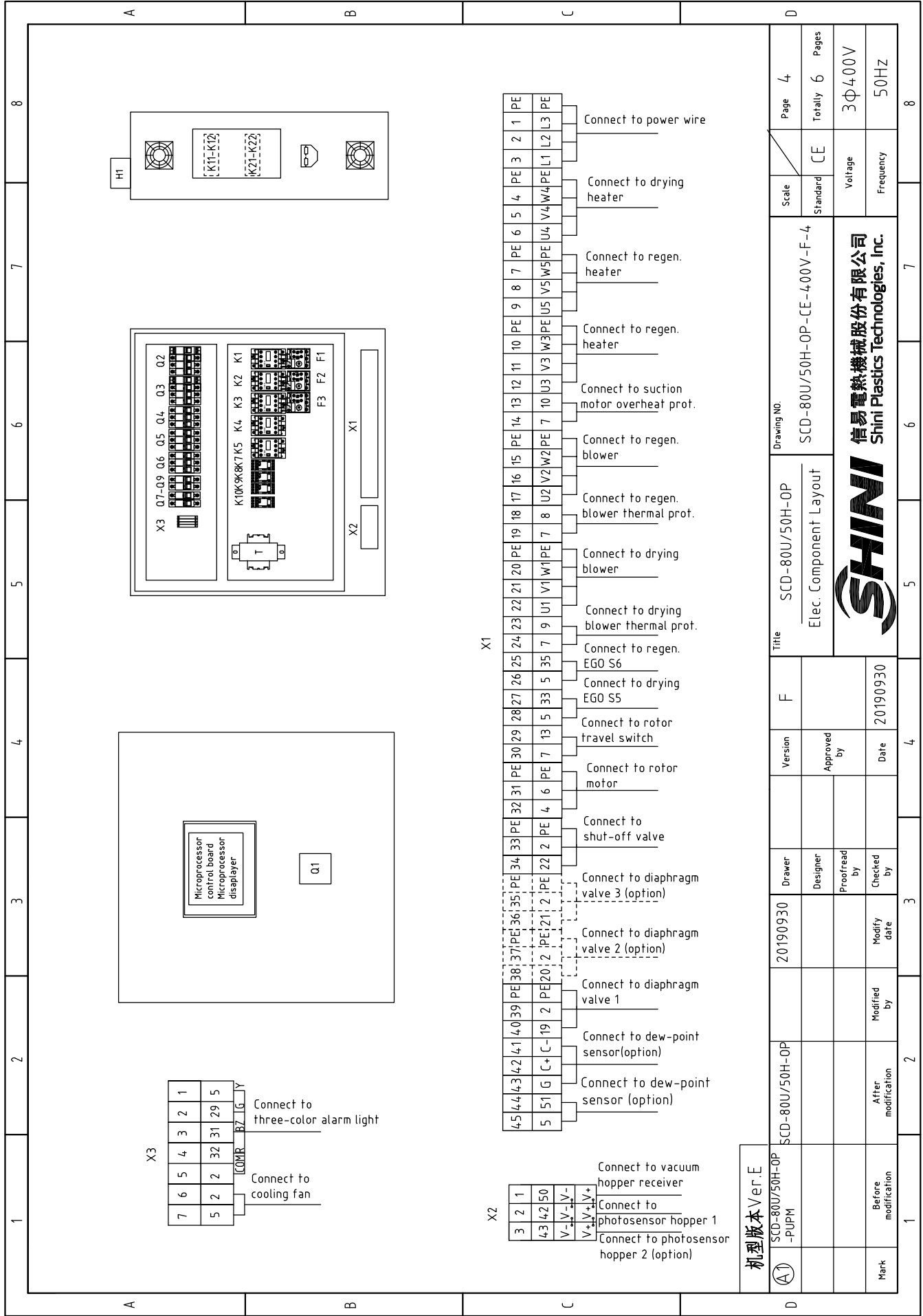
PCB K. SF878500B



机型版本 Ver.E	20190930	20190930	F	SCD-80U/50H-OP	SCD-80U/50H-OP	SCD-80U/50H-OP-CE-400V-F-3	3
Mark	Before modification	Modified by	Date	20190930	Checked by	Proofread by	Designer
Mark	After modification	Modified by	Date	20190930	Checked by	Proofread by	Designer

Scale	Standard	CE	Page	3
Standard	CE	Totally	Pages	6
Voltage	3Φ400V	Frequency	50HZ	
Title		Drawing NO.		
Control Circuit Diagram		SCD-80U/50H-OP		
Version		Approved by		
F		Date		
20190930		20190930		
2		3		
1		4		
8		7		
8		6		
8		5		
8		4		
8		3		
8		2		
8		1		





SCD-80U/50H-OP		SCD-80U/50H-OP		SCD-80U/50H-OP		SCD-80U/50H-OP		SCD-80U/50H-OP	
①	SCD-80U/50H-OP-PUPM								
Mark	Before modification	Modified by		Modify date		Checked by		Date	20190930
		Approved by				Approved by			
		Version	F						
Title				SCD-80U/50H-OP			Title		
Elec. Component Layout				SCD-80U/50H-OP			Drawing NO.		
F				F			Standard		
2				2			Voltage		
3				3			Frequency		
4				4			Totally		
5				5			Pages		
6				6			Scale		
7				7			Page		
8				8			Totally		
9				9			Frequency		
10				10			Voltage		

机型版本 Ver.E

SHINI
 信易电热机械股份有限公司
 Shini Plastics Technologies, Inc.

1	2		3	4	5	6	7	8
NO.	Symbol	Name	Manufacturer	Type	Specification	Number	Material number	Remark
1	Q1	Main power switch	EATON	P1-25/EA/SVB	25A	1	YE10125250000	
2	Q2 Q3 Q6	Circuit breaker	TECO	BM-63C 3P	10A	3	YE40301003000	
3		Excitation release	YIJIN	MX	24V 50/60Hz	2	YE40024000000	A
4	Q4 Q5	Circuit breaker	TECO	BM-63C 3P	6A	2	YE40300603000	
5	Q7	Circuit breaker	TECO	BM-63C/2003S 3A 2P	3A	1	YE40200203000	
6	Q8 Q9	Circuit-breaker	TECO	BM-63C/1003S 3A 1P	3A	2	YE40100203000	
7	K1 K2 K3	Contact	SIEMENS	3RT6016-1AB01-24VAC	24V 50/60Hz	3	YE00601602500	
8	K4 K5	Contact	SIEMENS	3RT6017-1AB01-24VAC	24V 50/60Hz	2	YE00601702500	
9	K7 K8 K9 K10	Middle relay	Honeywell	GR-2C-AC24V	Base PGR-2C-E	4	YE03022400300	
10	K11 K12 K21 K22	Solid state relay	FOTEK	KSR-40DA-H	40A/480VAC/4-32VDC	4	YE03404003200	
11	F1 F2	Thermal overload relay	SIEMENS	3RU6116-1AB0	1.1-1.6A	2	YE01160110000	(4)
12	F3	Thermal overload relay	SIEMENS	3RU6116-1FB0	3.5-5A	1	YE01160350000	(4)
13	PCB	Microprocessor control board+ Microprocessor display/PCB	PUMP	K.ST878500B	AC24V	1	YE81878500300	
14	T	Transformer	JIUXIN	IN=400V/415V OUT=24V	120VA 230V 350MA	1	YE70040007300	
15	S1	Reed switch	FOTEK	FC-12V	24VDC	1	----	(1)
16	S2	Photoelectric switch	FOTEK	T18-3MNB-PE	24VDC	1	----	(1)
17	S3	Dew-point transducer	SUTO	217-OEM	POWER=24VDC OUT=4-20mA	1	YE90021700100	(1) (2)
18	S4	Micro switch	TEND	LXW5-11G1	250V 5(A)	1	----	(1)
19	S5 S6	Thermal overload relay	EGO	WR-A-50-300-2500-3	250V 5(A)	2	----	(1)
20	S7,S8,S9	Thermocouple	SHINI	ST-K	K	3	----	(1)
21	S10	Comm. interface board RS-485 (double Dsub-9pin connector)	YUYUN	---	485ToDsub_V23	1	YE90048501200	
22		Shell RS485(SAL-700G-A-19)ver.0	BINGCHENG	---	---	1	YR40048500000	
23	S11	Level sensor	IFM	KI0020-BB0A	20-250V AC/DC	1	YE15002000000	(1)
24	Y1 Y4	Solenoid valve	AirTAC	4V210-06	AC24V	2	----	(1)
25	Y2 Y3	Solenoid valve	AirTAC	4V210-06	AC24V	2	----	(1)(3)
机型版本 Ver.E								
Notes:(1)Materials not in the control box; (2) With dew-point transducer;(3)Optional 1-to-2(-M2) model;(4) Optional thermal overload relay;								
D	SCD-80U/50H-OP-PUPM	SCD-80U/50H-OP	20190930	20190930	F	Version	Title	Scale
			Designer	Approved by	Elec. Parts List 1	SCD-80U/50H-OP	SCD-80U/50H-OP-CE-400V-F-5	Standard
			Proofread by	Date	20190930	CE	Voltage	Page 5
Mark	Before modification	After modification	Modified by	Modify date		CE	Frequency	Page 6
							3Φ400V	Totally 6
							50HZ	Pages
1	2	3	4	5	6	7	8	

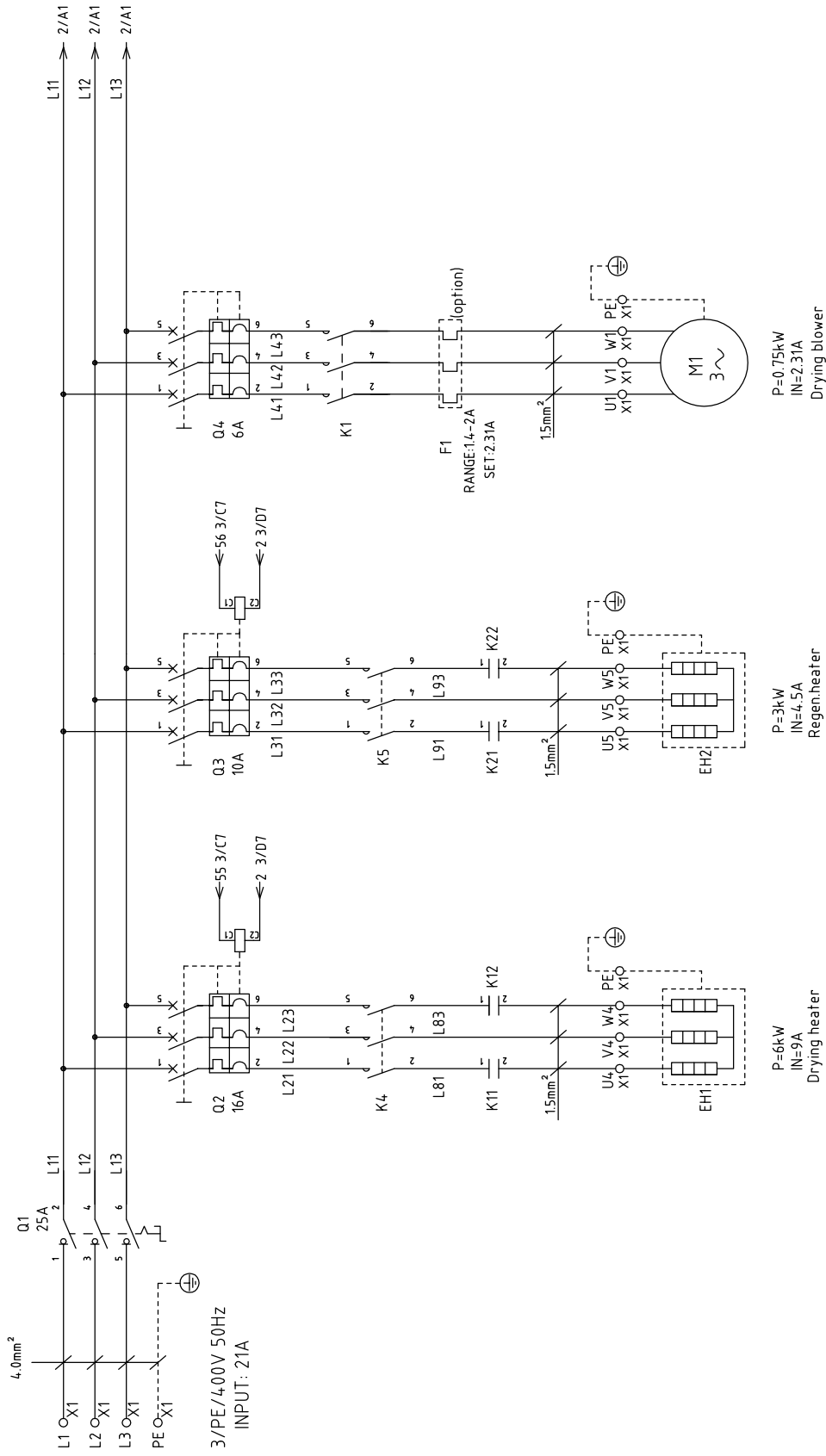


信易电热机械股份有限公司
Shini Plastics Technologies, Inc.

1	2		3	4	5	6	7	8
NO.	Symbol	Name	Manufacturer	Type	Specification	Number	Material number	Remark
26	H1	Three-color alarm light(red,gre,yel.+ buzzer)	SHINI	Priority	24V 50/60Hz	1	BL90002401520	(1)
27	X1	Terminal board	HONEYWELL	SK4	4mm ²	24	YE60000403200	
28		Terminal board	HONEYWELL	GK5PE	4mm ² PE	6	YE60000403500	
29		Terminal board	HONEYWELL	SK2.5	2.5mm ²	17	YE60002503200	
30		Terminal board	HONEYWELL	GK2.5PE	2.5mm ² PE	3	YE60002503400	
31		Terminal board	HONEYWELL	SK2.5	2.5mm ²	4	YE60002503200	(3)
32		Terminal board	HONEYWELL	GK2.5PE	2.5mm ² PE	2	YE60002503400	(3)
33	X2	Terminal board	HONEYWELL	3-layer spring terminal SK2.5-TL	10A 250V	3	YE60002503600	
34		Terminal board	HONEYWELL	FBSTB 10-ZDIK RD	10A 250V	3	YE60001000200	
35		Terminal board	HONEYWELL	SK-2.5TL bridgeware	10A 250V	3	YE60001003600	
36	X3	Terminal board	HONEYWELL	SK2.5	2.5mm ²	7	YE60002503200	
37	X4,X5	Heavy duty connector	Harting	4P+PE(socket)Han 4A-F	4P	2	YE68000401400	(1)
38	X6	Heavy duty connector	Harting	4P+PE(socket)Han 4A-F	4P	1	YE68000401400	(1) (3)
39	FM	Fan	SUNON	DP-200A	24VAC 40W	1	-----	(1)
40	M1	Blower	SHINI	-----	400V 0.4kW	1	-----	(1)
41	M2	Blower	SHINI	-----	400V 0.4kW	1	-----	(1)
42	M3	Blower	SHINI	-----	400V 1.5kW	1	-----	(1)
43	M4	Motor	----	-----	230V 0.015kW	1	-----	(1)
44	EH1	Pipe heater	SHINI	-----	400V 3.9kW	1	-----	(1)
45	EH2	Pipe heater	SHINI	-----	400V 3kW	1	-----	(1)
46		Terminal fittings E/GK series	HONEYWELL	-----	E-GK	5	YE60000003900	
机型版本 Ver.E Notes:(1)Materials not in the control box; (2) With dew-point transducer;(3)Optional 1-to-2(-M2) model;(4) Optional thermal overload relay;								
SCD-80U/50H-OP -PUPM			20190930	F	SCD-80U/50H-OP Elec. Parts List 2	SCD-80U/50H-OP-CE-400V-F-6	Scale Standard CE	Page 6 Totally 6 Pages
Mark	Before modification	After modification	Modified by	Modify date	Checked by	Date	信易电热机械股份有限公司 Shini Plastics Technologies, Inc.	
				20190930		20190930	Voltage Frequency	3Φ400V 50HZ



信易电热机械股份有限公司
Shini Plastics Technologies, Inc.



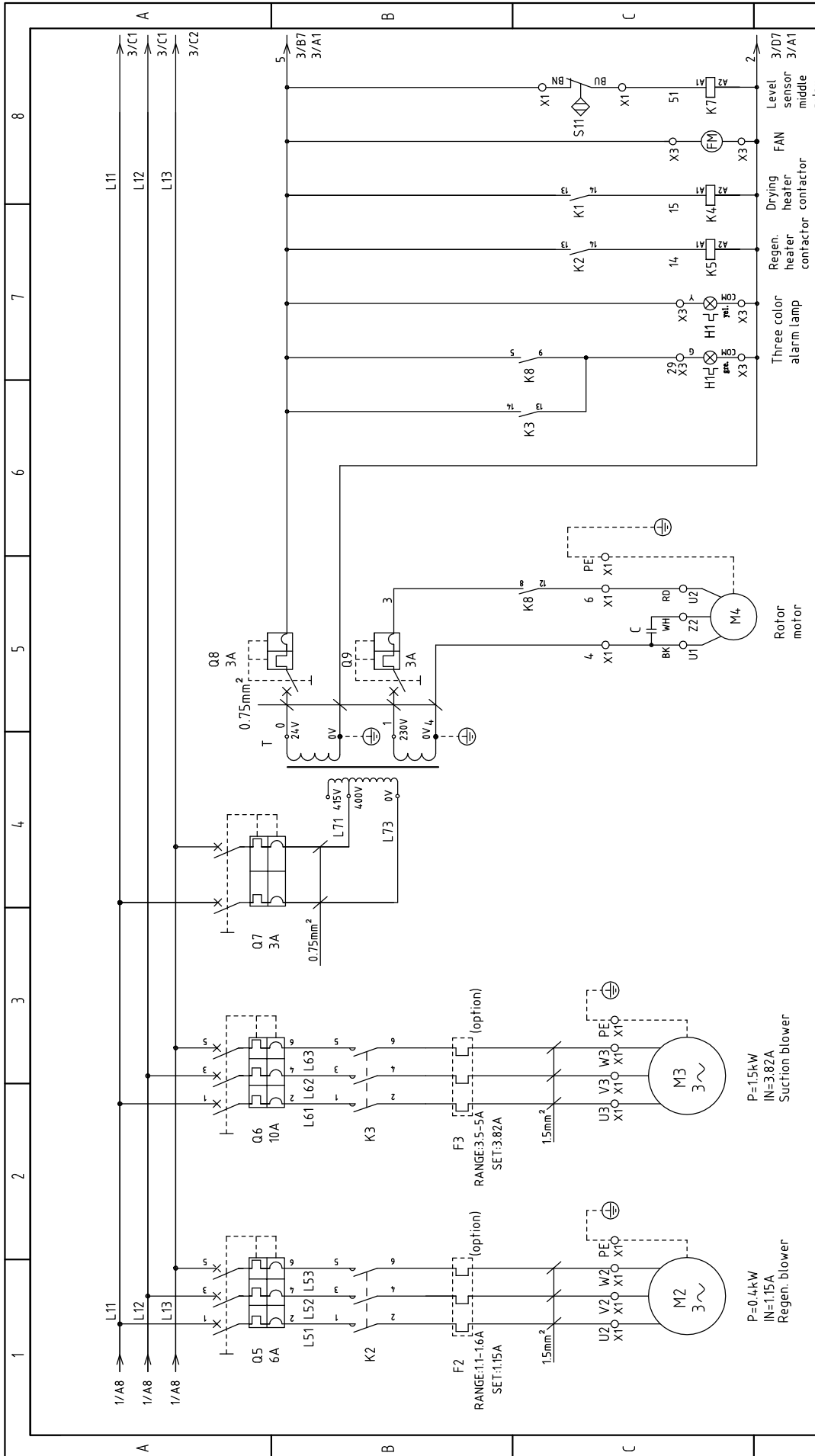
机型版本 Ver.E

D	SCD-120U/80H-OP	20190930	20190930	Designer	Drawer	Title		SCD-120U/80H-OP	Scale	Page 1
	-OP-PUPM			Proofread by		Main Circuit Diagram 1		Standard	CE	Totally 6 Pages
Mark	Before modification	Modified by	Modify date	Checked by	Date	Voltage		Frequency	3Φ400V 50Hz	
					20190930	SHINI		信易电热机械股份有限公司 Shini Plastics Technologies, Inc.		8

Drawing NO.

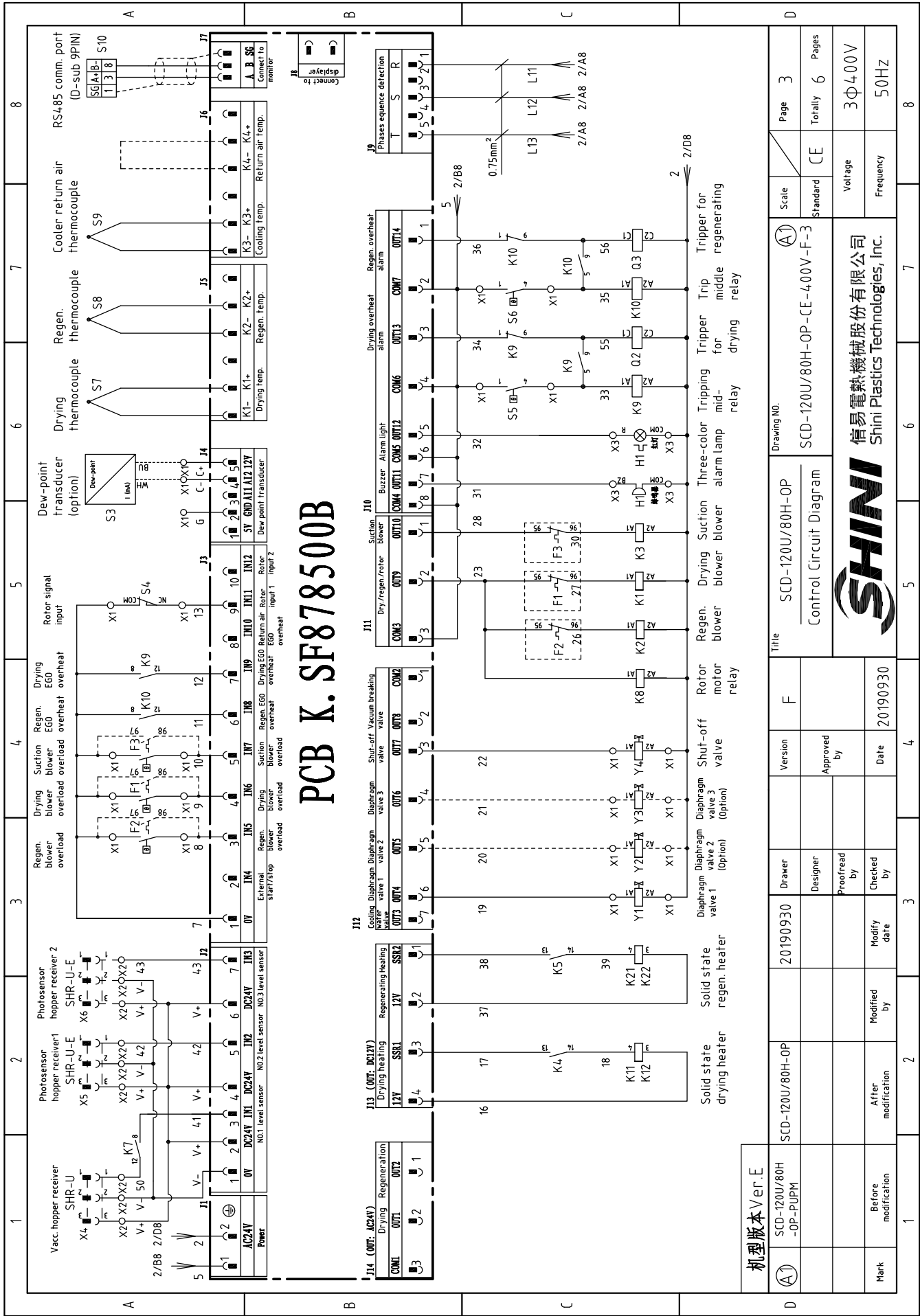
SCD-120U/80H-OP-CE-400V-F-1





机型版本 Ver.E		Title		Scale		Page	
①	SCD-120U/80H-OP-PUPM	SCD-120U/80H-OP	Standard	CE	2	Page 2	
Mark		Drawing NO.		Standard		Totally 6 Pages	
Before modification		SCD-120U/80H-OP-CE-4.00V-F-2		Voltage		3Φ400V	
After modification		Main Circuit Diagram 2		Frequency		50HZ	
Modified by		SHINI		Voltage		3Φ400V	
Modify date		信易电热机械股份有限公司 Shini Plastics Technologies, Inc.		Frequency		50HZ	
20190930		SHINI		Voltage		3Φ400V	
20190930		SHINI		Frequency		50HZ	
20190930		SHINI		Voltage		3Φ400V	
20190930		SHINI		Frequency		50HZ	

PCB K. SF878500B

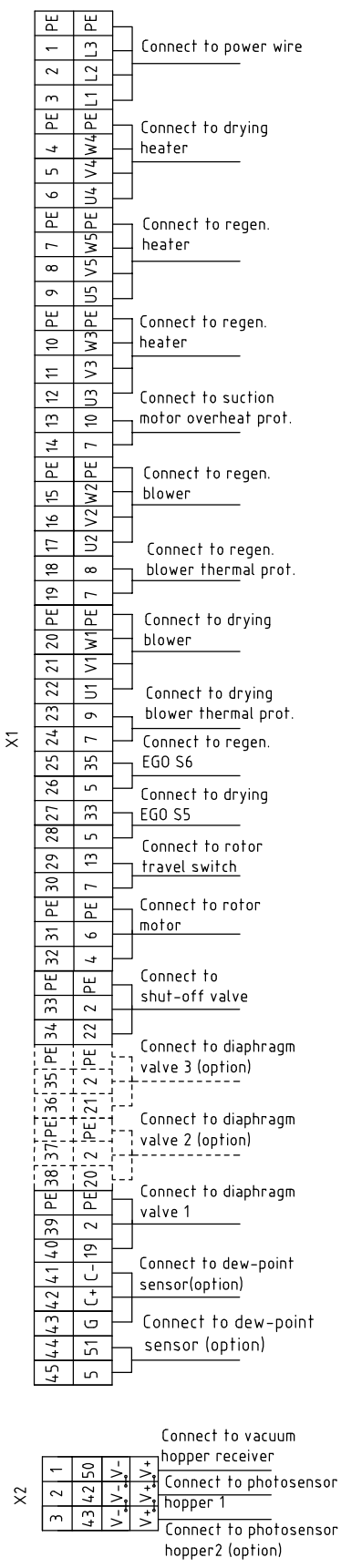
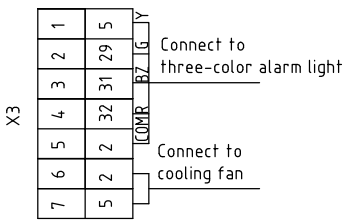
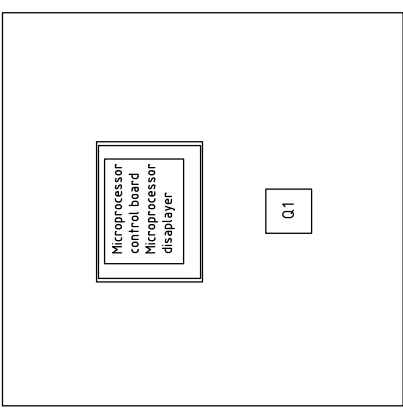
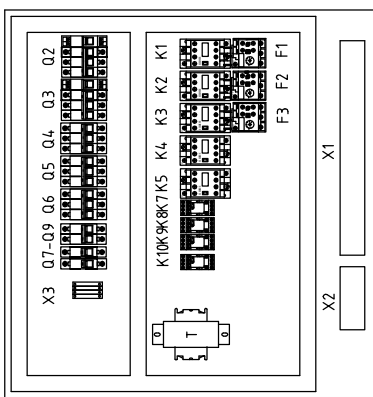
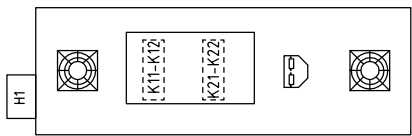
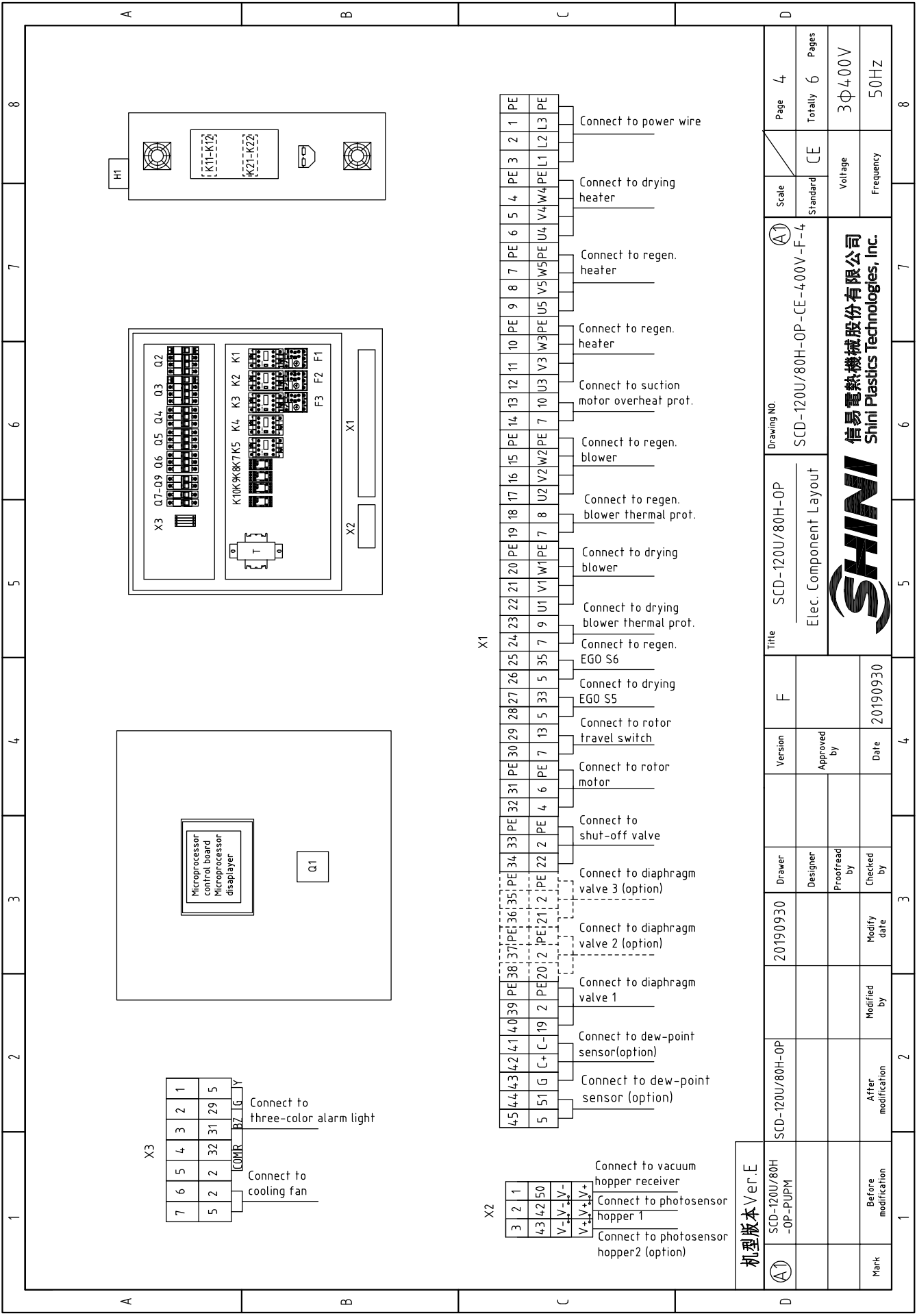


机型版本 Ver.E		Drawing NO.	
SCD-120U/80H-OP-0P-PUPM	SCD-120U/80H-OP	Standard	CE
Mark	Before modification	Voltage	3Φ400V
	Modified by	Frequency	50HZ
	Checked by	Page 3	
	Date	Totally 6 Pages	
	20190930		



Control Circuit Diagram		Title	
SCD-120U/80H-OP		SCD-120U/80H-OP-CE-400V-F-3	
Approved by		Scale	
Proofread by		Standard	
Designer		Voltage	
20190930		Frequency	
Date		3Φ400V	
20190930		50HZ	
Date		Page 3	
20190930		Totally 6 Pages	
Date			

信易電熱機械股份有限公司
Shini Plastics Technologies, Inc.



机型版本 Ver.E		Title		Version		Drawer		Date		Page	
①	SCD-120U/80H-OP-PUPM	F	SCD-120U/80H-OP	20190930	20190930	20190930	20190930	20190930	20190930	4	4
Elec. Component Layout		Drawing NO.		Approved by		Checked by		Modify date		Standard	
SHINI		SCD-120U/80H-OP-CE-4.00V-F-4		Date		Checked by		Modify date		Voltage	
信易电热机械股份有限公司 Shini Plastics Technologies, Inc.		20190930		20190930		20190930		20190930		Frequency	
SHINI		20190930		20190930		20190930		20190930		3Φ400V	
SHINI		20190930		20190930		20190930		20190930		50HZ	
SHINI		20190930		20190930		20190930		20190930		Totally 6	
SHINI		20190930		20190930		20190930		20190930		Pages	
SHINI		20190930		20190930		20190930		20190930		8	

1		2		3		4		5		6		7		8		
No.	Symbol	Name	Manufacturer	Type	Specification	Number	Material number	Remark								
1	Q1	Main power switch	EATON	P1-25/EA/SVB	25A	1	YE10125250000									
2	Q2	Circuit breaker	TECO	BM-63C 3P	16A	1	YE40301603000									
3	Q3 Q6	Circuit breaker	TECO	BM-63C 3P	10A	2	YE40301003000									
4		Excitation release	YUJIN	MX	24V 50/60Hz	2	YE40024000000									
5	Q4 Q5	Circuit breaker	TECO	BM-63C 3P	6A	2	YE40300603000									
6	Q7	Circuit breaker	TECO	BM-63C/2003S 3A 1P	3A	1	YE40200203000									
7	Q8 Q9	Circuit-breaker	TECO	BM-63C/1003S 3A 1P	3A	2	YE40100203000									
8	K1 K2 K3	Contactor	SIEMENS	3RT6016-1AB01-24VAC	24V 50/60Hz	3	YE00601602500									
9	K4	Contactor	SIEMENS	3RT6018-1AB01-24VAC	24V 50/60Hz	1	YE00601802500									
10	K5	Contactor	SIEMENS	3RT6017-1AB01-24VAC	24V 50/60Hz	1	YE00601702500									
11	K7 K8 K9 K10	Middle relay	Honeywell	GR-2C-AC24V	Base PGR-2C-E	4	YE03022400300									
12	K11 K12 K21 K22	Solid state relay	FOTEK	KSR-40DA-H	40A/480VAC/4-32VDC	4	YE03404003200									
13	F1	Thermal overload relay	SIEMENS	3RU5116-1BB0	1.4-2A	1	YE01140200000	(4)								
14	F2	Thermal overload relay	SIEMENS	3RU6116-1AB0	1.1-1.6A	1	YE01160110000	(4)								
15	F3	Thermal overload relay	SIEMENS	3RU6116-1FB0	3.5-5A	1	YE01160350000	(4)								
16	PCB	Microprocessor control board+ Microprocessor display/PTB	PUMP	K-SF878500B	AC24V	1	YE81878500300									
17	T	Transformer	JIUXIN	IN=400V/415V OUT=24V	120VA 230V 350MA	1	YE70040007300									
18	S1	Level sensor	FOTEK	FC-12V	24VDC	1	----	(1)								
19	S2	Photoelectric switch	FOTEK	T18-3MNB-PE	24VDC	1	----	(1)								
20	S3	Dew-point transducer	SUTO	217-OEM	POWER=24VDC OUT=4-20mA	1	YE90021700100	(1) (2)								
21	S4	Micro switch	TEND	LXW5-11G1	250V 5(4)A	1	----	(1)								
22	S5 S6	Thermal overheat protector	EGO	WR-A-50-300-2500-3	250V 5(4)A	2	----	(1)								
23	S7,S8,S9	Thermocouple	SHINI	ST-K	K	3	----	(1)								
24	S10	Comm. interface board RS-485 (double Dsub-9pin connector)	YUYUN	---	485ToDsub__V23	1	YE90048501200									
25		Shell RS485(SAL-700G-A-19)ver0.	BINCHEG	---	---	1	YR40048500000									
机型版本 Ver.E Notes:(1)Materials not in the control box; (2) With dew-point transducer;(3)Optional 1-to-2l-M2) model;(4) Optional thermal overload relay;																
A		SCD-120U/80H -OP-PUMP	20190930	Designer	Version	F	Title		SCD-120U/80H-OP		Scale		Page		5	
				Approved by			Elec. Parts List 1		SCD-120U/80H-OP-CE-400V-F-5		Standard		CE		Totally	6
				Proofread by											Pages	
Mark		Before modification	Modified by	Modify date	Checked by	Date	20190930						Voltage		3Φ4.00V	
		After modification											Frequency		50Hz	
1		2		3		4		5		6		7		8		



信易电热机械股份有限公司
Shini Plastics Technologies, Inc.

1		2		3		4		5		6		7		8	
NO.	Symbol	Name	Manufacturer	Type	Specification	Number	Material number	Remark							
26	S11	Level sensor	IFM	KI0020-BB0A	20-250V AC/DC	1	YE15002000000	(1)							
27	Y1 Y4	Solenoid valve	AirTAC	4V210-06	AC24V	2	-----	(1)							
28	Y2 Y3	Solenoid valve	AirTAC	4V210-06	AC24V	2	-----	(1)(3)							
29	H1	Three-color alarm light(red,gre,yel.+ buzzer)	SHINI	Priority	24V 50/60Hz	1	BL90002401520	(1)							
30	X1	Terminal board	HONEYWELL	SK4	4mm ²	24	YE60000403200								
31		Terminal board	HONEYWELL	GK5PE	4mm ² PE	6	YE60000403500								
32		Terminal board	HONEYWELL	SK2.5	2.5mm ²	17	YE60002503200								
33		Terminal board	HONEYWELL	GK2.5PE	2.5mm ² PE	3	YE60002503400								
34		Terminal board	HONEYWELL	SK2.5	2.5mm ²	4	YE60002503200	(3)							
35		Terminal board	HONEYWELL	GK2.5PE	2.5mm ² PE	2	YE60002503400	(3)							
36	X2	Terminal board	HONEYWELL	3-layer spring terminal SK2.5-TL	10A 250V	3	YE60002503600								
37		Terminal board	HONEYWELL	FBSTB 10-ZDIK RD	10A 250V	3	YE60001000200								
38		Terminal board	HONEYWELL	SK-2.5TL bridgeware	10A 250V	3	YE60001003600								
39	X3	Terminal board	HONEYWELL	SK2.5	2.5mm ²	7	YE60002503200								
40	X4,X5	Heavy duty connector	Harting	4P+PE(socket)Han 4A-F	4P	2	YE68000401400	(1)							
41	X6	Heavy duty connector	Harting	4P+PE(socket)Han 4A-F	4P	1	YE68000401400	(1)(3)							
42	FM	Fan	SUNON	DP-200A	24VAC 40W	1	-----	(1)							
43	M1	Blower	SHINI	-----	400V 0.75kW	1	-----	(1)							
44	M2	Blower	SHINI	-----	400V 0.4kW	1	-----	(1)							
45	M3	Blower	SHINI	-----	400V 1.5kW	1	-----	(1)							
46	M4	Motor	----	-----	230V 0.015kW	1	-----	(1)							
47	EH1	Pipe heater	SHINI	-----	400V 6kW	1	-----	(1)							
48	EH2	Pipe heater	SHINI	-----	400V 3kW	1	-----	(1)							
49		Terminal fittings E/GK series	HONEYWELL	-----	E-GK	5	YE60000003900								
机型版本 Ver.E Notes:(1)Materials not in the control box; (2) With dew-point transducer;(3)Optional 1-to-2(-M2) model;(4) Optional thermal overload relay;															
SCD-120U/80H-OP-PUPM		SCD-120U/80H-OP		20190930		Designer		F		SCD-120U/80H-OP		Scale		Page 6	
						Proofread by		Approved by		Elec. Parts List 2		Standard		CE	
Mark		Before modification		Modified by		Checked by		Date		Voltage		Frequency		3Φ400V	
				20190930				20190930		50Hz		50Hz		50Hz	



信易电热机械股份有限公司
Shini Plastics Technologies, Inc.