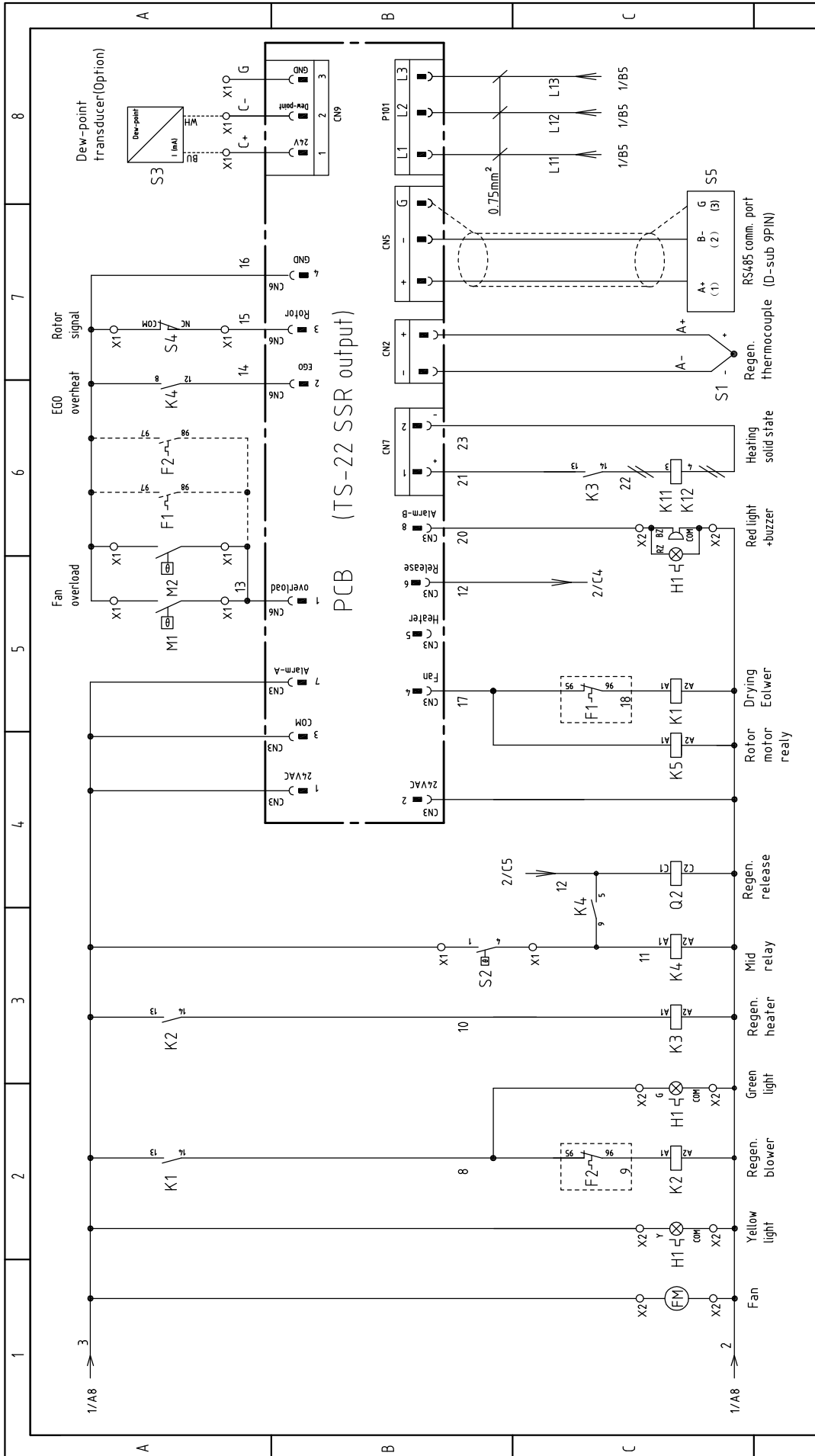


机型版本 Ver.F

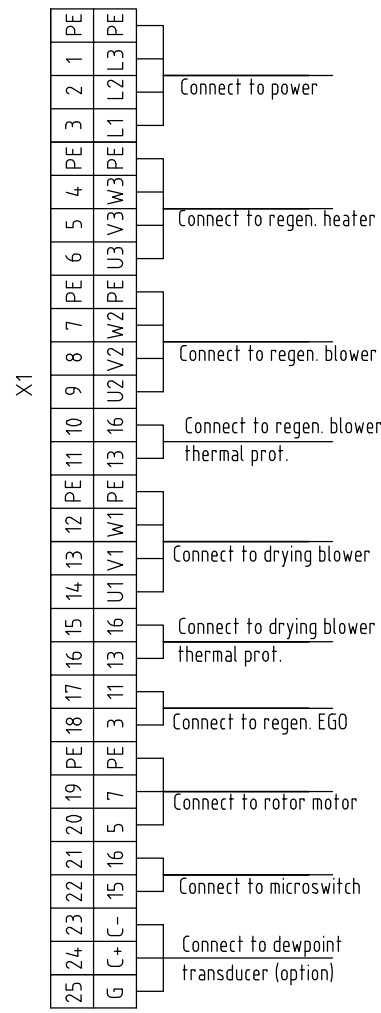
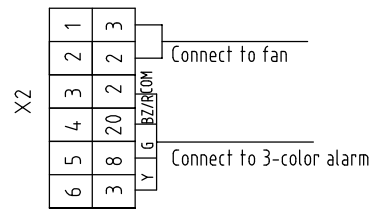
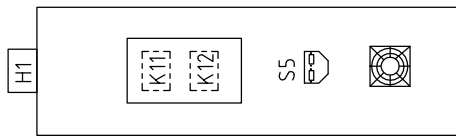
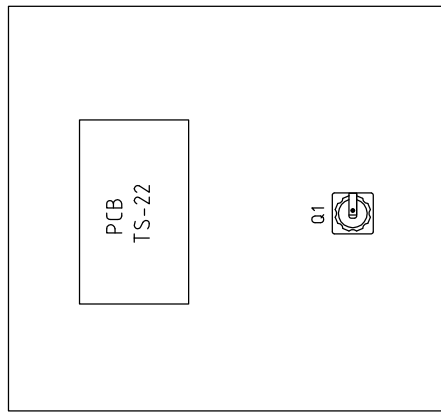
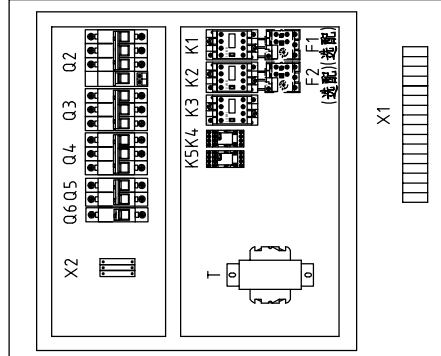
Drawing NO.		SD-40H		Title		SD-40H-CE-230V-K-1		Scale		Page 1	
Main Circuit Diagram		Version		K		Standard		CE		Totally 5 Pages	
SHINI		Designer		Approved by		SHINI		Voltage		3Φ230V	
信易电热机械股份有限公司 Shini Plastics Technologies, Inc.		Proofread by		Date		Frequency		50Hz			
Mark		After modification		Modified by		20191112					
1		3		4		5		6		8	



机型版本 Ver.F	Tech. requirement: CN6/CN7/CN9 uses DC voltage circuit which must be blue.			Drawing NO.		Page 2	
	Version	Approved by	Title		Standard	Totally	Pages
	K		SD-40H		CE	5	5
	Designer	Proofread by	Control Circuit Diagram				
	Checked by	Checked by	Date		Voltage	Frequency	
			20191112		3Φ230V	50Hz	
	Modified by	Modified by	Date				
			4				
			3				
			2				
			1				



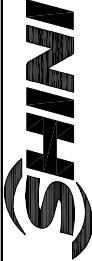
1 2 3 4 5 6 7 8

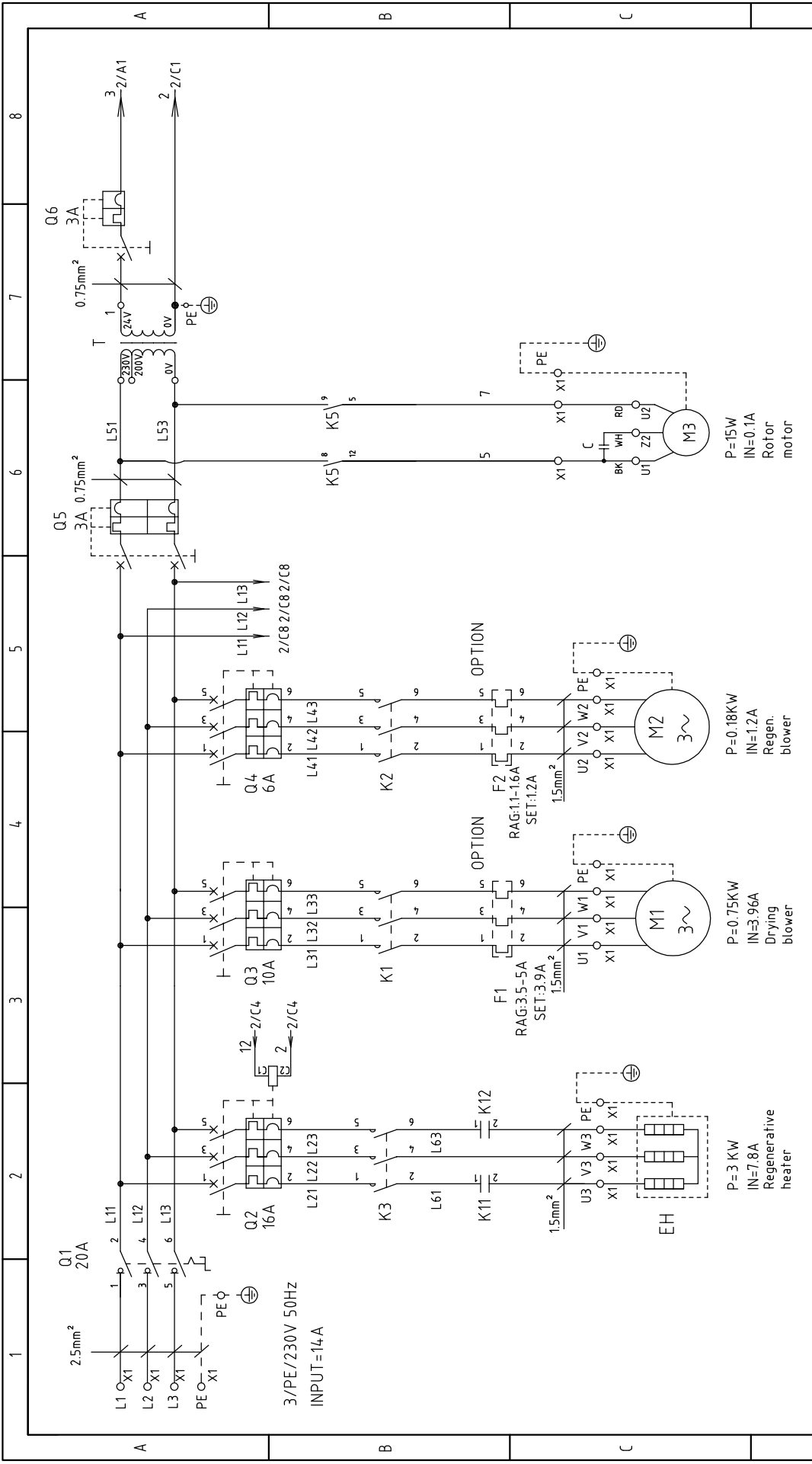


机型版本 Ver.F

D	Title	SD-40H		Drawing NO.	SD-40H-CE-230V-K-1		Scale	Page											
		Elec. Component Layout			Standard	CE	Totally	5	Pages										
Mark	Before modification	After modification	Modified by	Modify date	Checked by	Proofread by	Designer	Drawer	Version	K	Approved by	Date	20191112	SHINI	信易电热机械股份有限公司 Shini Plastics Technologies, Inc.	Voltage	Frequency	3Φ230V	50Hz

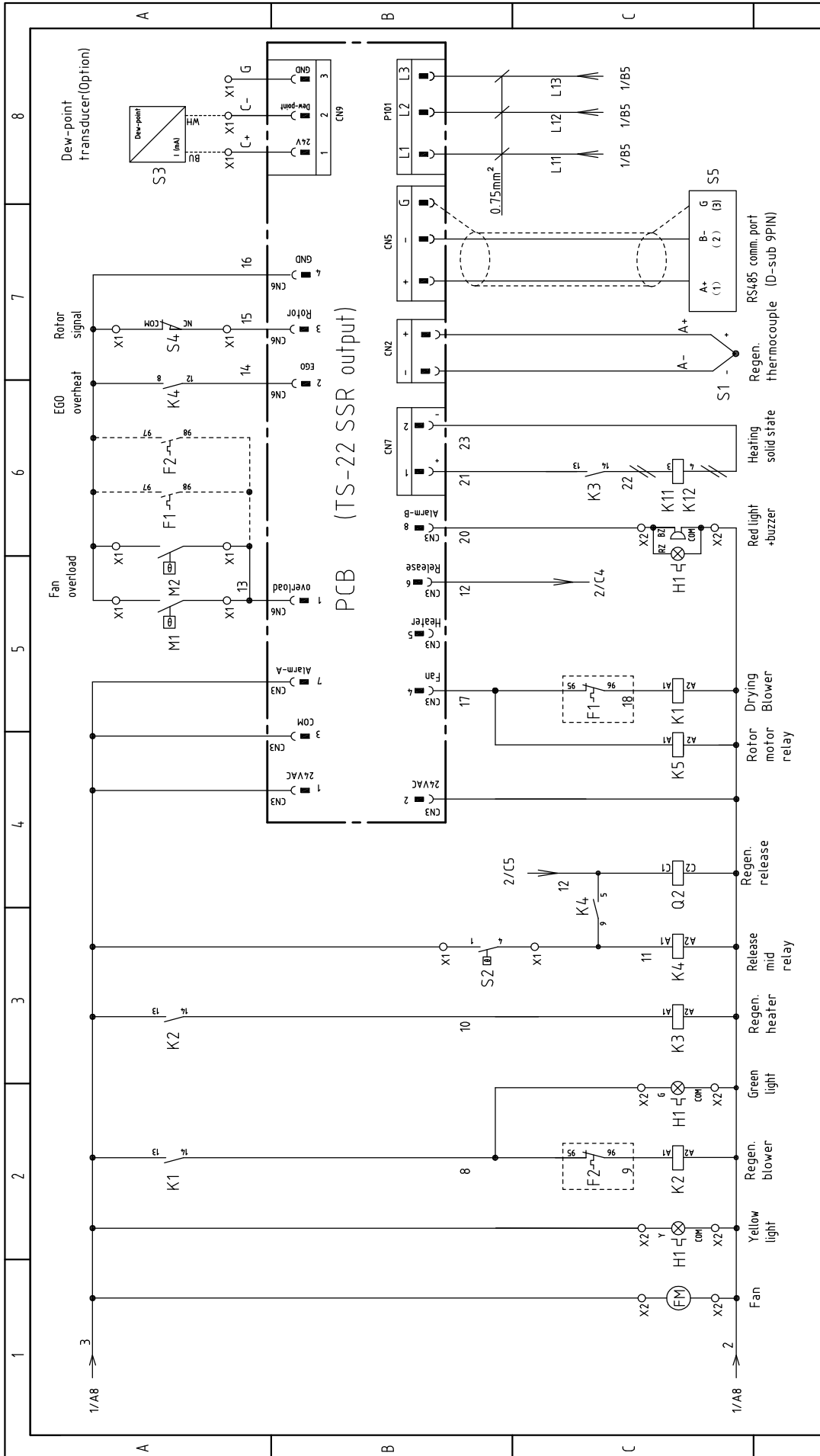
1	2		3	4	5	6	7	8	
NO.	Symbol	Name	Manufacturer	Type	Specification	Number	Material number	Remark	
1	Q1	Main switch	EATON	TO-2-1/EA/SVB	20A	1	YE10021160000		
2	Q2	Circuit breakers	TECO	BM-63C	10A	1	YE40301003000		
3		Excitation release	YIJIN	MX	24VAC	1	YE40024000000	A	
4	Q3 Q4	Circuit breakers	TECO	BM-63C	6A	2	YE40300603000		
5	Q5	Circuit breakers	TECO	BM-63C	3A	1	YE40200203000		
6	Q6	Circuit breakers	TECO	BM-63C	3A	1	YE40100203000		
7	K1 K2 K3	Contactors	SIEMENS	3RT6015-1AB01-24VAC	24VAC 50/60HZ	3	YE00601502500		
8	K4 K5	Middle relay	Honeywell	GR-2C base PGR-2C-E	24V AC	2	YE03022400300		
9	K11 K12	Solid state relay	FOTEK	KSR-40DA-H	40A/480VAC/4-32VDC	2	YE03404003200		
10	F1	Thermal overload relay	SIEMENS	3RU6116-1AB0	1.1-1.6A	1	YE01160110000	(3)	
11	F2	Thermal overload relay	SIEMENS	3RU6116-0GB0	0.45-0.63A	1	YE01161450000	(3)	
12	T	Transformer	JIUXIN	IN=230V/200V OUT=24VAC	180VA	1	YE70023005400		
13	PCB	Microcomputer PCB	YUYUN	TS-22(assembly) SSR output	24V 50/60HZ	1	YE80222408200		
14	S1	Thermocouple	SHINI	-----	K	1	-----	(1)	
15	S2	Thermal overload relay	EGO	ZA300	250V 300°C	1	-----	(1)	
16	S3	Dew-point transducer	SUTO	217-0EM	POWER-24VDC 4-20mA	1	YE90021700100	(1) (2)	
17	S4	Limit switch	TEND	LXW5-11G1	250V 5(4)A	1	-----	(1)	
18	S5	Comm. interface plate RS-485 (Disub-5pin connector)	YUYUN	----	PCS	1	YE90048501200		
19		Shell RS-485(SAL-700G-A-19)ver.0	BINCHEG	----	PCS	1	YR40048500000		
20	H1	Three color alarm light/Alarm	SHINI	Red,yel,blue+buzzer	PCS	1	BL90002401520	(1)	
21	FM	Fan	-----	-----	24V 50/60HZ	1	-----	(1)	
22	X1	Terminal board	Honeywell	SK4	4mm ²	16	YE60000403200		
23		Terminal board	Honeywell	GK5PE	4mm ² PE	4	YE60000403500		
24		Terminal board	Honeywell	SK2.5	2.5mm ²	9	YE600002503200		
25		Terminal board	Honeywell	GK2.5PE	2.5mm ² PE	1	YE600002503400		
机型版本 Ver.F									
Notes: (1) Items not in the control box; (2) Optional dew-point transducer; (3) Drying blower and regen. blower thermal relay;									
			Drawer	Version	Title		Scale		
			Designer	K	SD-40H		Standard		
			Proofread by	Approved by	Elec. Parts List 1		CE		
			Checked by	Date	SD-40H-CE-230V-K-4		Voltage		
			Modify date	20191112			Frequency		
Mark	Before modification	Modified by						3φ230V	
1	2	3	4	5	6	7	8		
			SHINI			信易电热机械股份有限公司 Shini Plastics Technologies, Inc.			
			D			Page 4			
						Totally 5 Pages			

1	2		3	4	5	6	7	8
NO.	Symbol	Name	Manufacturer	Type	Specification	Number	Material number	Remark
26	X2	Terminal board	Honeywell	SK2.5	2.5mm ²	6	YE60002503200	
27		Terminal fittings E/GK series	Honeywell	E	GK	8	YE60000003900	
28	M1	Blower	SHINI	-----	0.18kW 230V	1	-----	(1)
29	M2	Blower	SHINI	-----	0.12kW 230V	1	-----	(1)
30	M3	Rotor motor	----	-----	6W 230V 50/60Hz	1	-----	(1)
31	EH	Heater	SHINI	-----	3kW 230V	1	-----	(1)
A								
B								
C								
D								
机型版本 Ver.F Notes: (1) Items not in the control box; (2) Optional dew-point Transducer; (3) Drying blower and regen. blower thermal relay;								
				Version	K		Title SD-4.0H	
				Designer			Elec. Parts List 2	
				Proofread by			SD-4.0H-CE-230V-K-5	
				Checked by			Scale CE	
Mark				Modified by	Date		Page 5	
Before modification				20191112		Totally 5		Pages
						Voltage		3 ϕ 230V
						Frequency		50Hz
<div style="display: flex; justify-content: space-between; align-items: center;">  <p style="text-align: center;">信易电热机械股份有限公司 Shini Plastics Technologies, Inc.</p> </div>								
1			4	5	6	7	8	



机版本 Ver.E		Title		Drawing NO.		Page	
		SD-80H		SD-80H-CE-230V-I-1		1	
		Main Circuit Diagram		Standard		CE	
				Voltage		3φ230V	
				Frequency		50Hz	
				Totally		5	
				Pages			
Mark		Before modification		Modified by		2	
Modify date		Date		Checked by		3	
		20191112					
Proofread by		Approved by		Version		4	
				I			
Designer				Title		5	
				SD-80H			
Drawer				Drawing NO.		6	
				SD-80H-CE-230V-I-1			
Checked by		Date		Voltage		7	
		20191112		Frequency		8	
Modified by				Frequency			
				50Hz			





机版本 Ver.E		Title		Drawing NO.		Page 2	
		SD-80H		SD-80H-CE-230V-I-2		Standard CE	
		Control Circuit Diagram				Voltage 3φ230V	
						Frequency 50HZ	
						Totally 5 Pages	
						Page 2	

Tech. requirement: CN6/CN7/CN9 uses DC voltage circuit which must be blue.



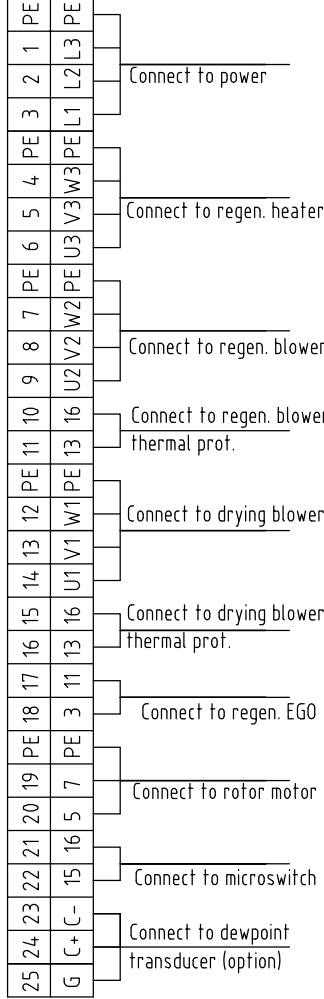
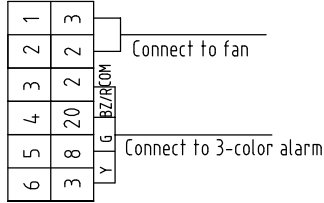
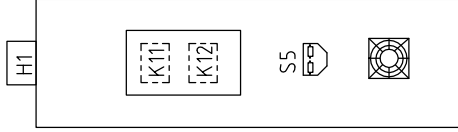
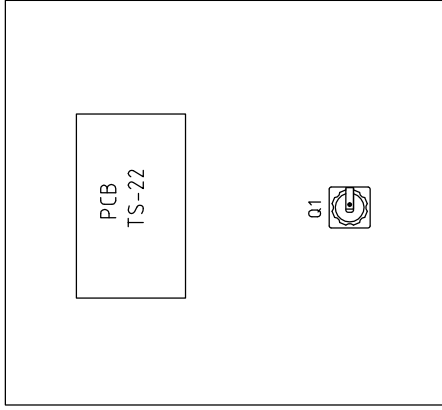
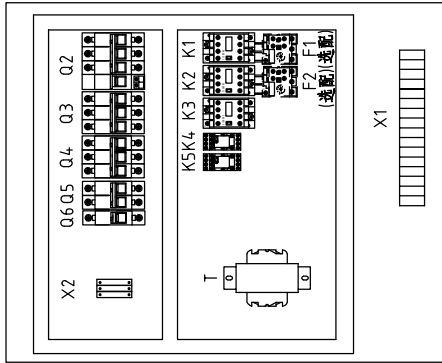
1 2 3 4 5 6 7 8

A

B

C

D



机型版本 Ver.E

Mark	Before modification	After modification	Modified by	Modify date	Date	20191112	Approved by	Version	I	Title	SD-80H	Drawing NO.	SD-80H-CE-230V-I-1	Scale	Page
											CE		Totally	3	
													Voltage	3Φ230V	
													Frequency	50Hz	
													Standard	5	
													Pages	8	

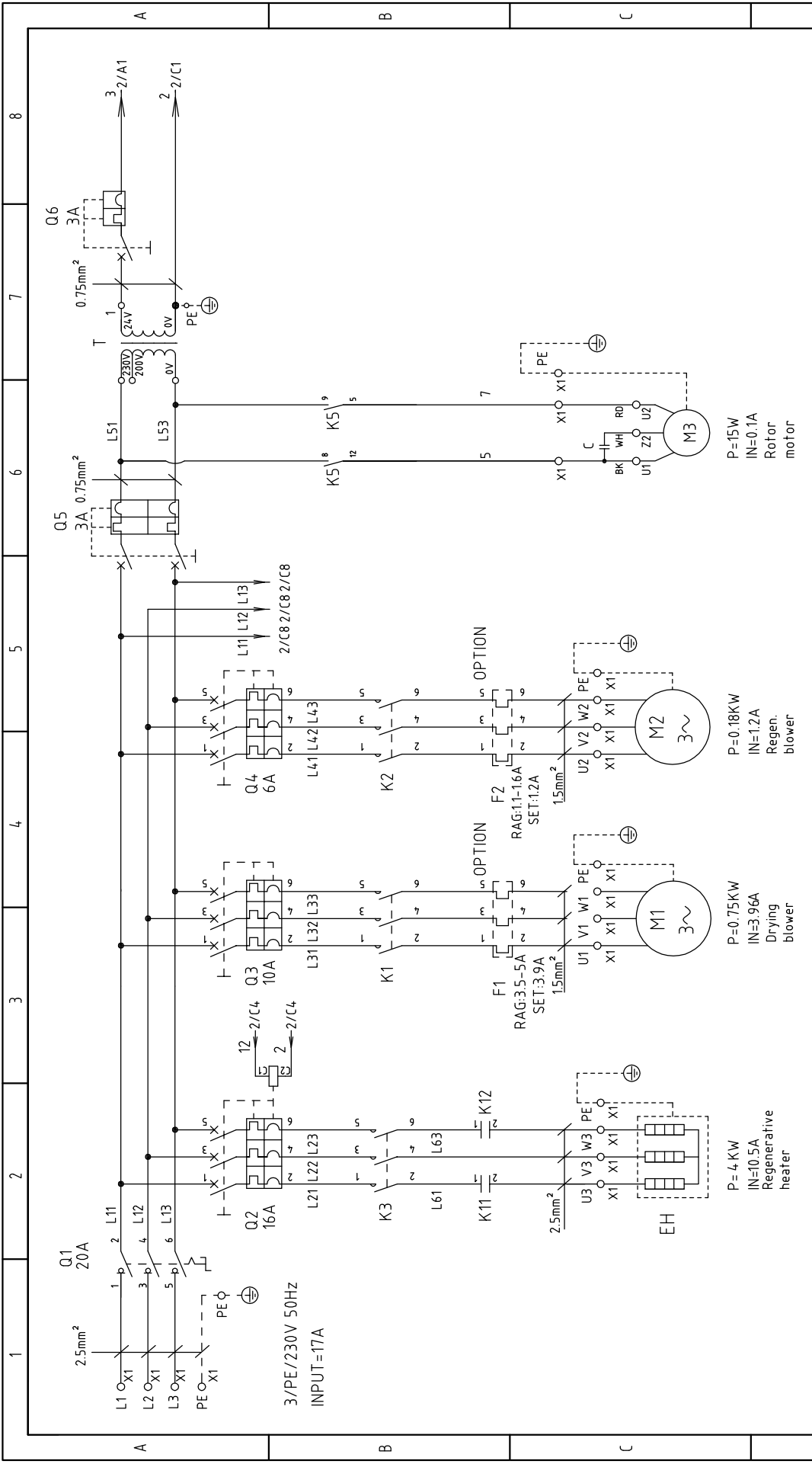


1	2		3	4	5	6	7	8
NO.	Symbol	Name	Manufacturer	Type	Specification	Number	Material number	Remark
1	Q1	Main switch	EATON	T0-2-1/EA/SVB	20A	1	YE10021160000	
2	Q2	Circuit breakers	TECO	BM-63C	16A	1	YE40301603000	
3	Q3	Excitation release	YIJIN	MX	24VAC	1	YE40024000000	A
4	Q4	Circuit breaker	TECO	BM-63C	10A	1	YE40301003000	
5	Q5	Circuit breakers	TECO	BM-63C	6A	1	YE40300603000	
6	Q6	Circuit breakers	TECO	BM-63C	3A	1	YE40200203000	
7	K1 K2 K3	Contactor	SIEMENS	3RT6015-1AB01-24VAC	24VAC 50/60Hz	3	YE00601502500	
8	K11 K12	Solid state relay	FOTEK	KSR-40DA-H	40A/480VAC/4-32VDC	2	YE03404003200	
9	K4 K5	Middle relay	Honeywell	GR-2C base PGR-2C-E	24V AC	2	YE03022400300	
10	T	Transformer	JIUXIN	IN=230V/200V OUT=24VAC	180VA	1	YE70023005400	B
11	PCB	Microcomputer PCB	YUYUN	TS-22(assembly) SSR output	24V 50/60Hz	1	YE80222408200	
12	S1	Thermocouple	SHINI	-----	K	1	----	(1)
13	S2	Temp. protector	EGO	ZA300	250V 300°C	1	----	(1)
14	S3	Dew-point transducer	SUTO	217-0EM	POWER-24VDC 4-20mA	1	YE90021700100	(1) (2)
15	S4	Micro switch/Limit switch	TEND	LXW5-11G1	250V 5(A)	1	----	(1)
16	S5	Comm. interface plate RS-485 (Sub-9pin connector)	YUYUN	----	PCS	1	YE90048501200	
17	H1	Shell RS-485(SAL-700G-A-19)ver.0	BINCHENG	----	PCS	1	YR40048500000	
18	H1	Three-color alarm/Alarm	SHINI	Red,yel.blue+buzzer	PCS	1	BL90002401520	(1)
19	FM	Fan	SUNON	-----	24V 50/60Hz	1	----	(1)
20	X1	Terminal board	Honeywell	SK4	4mm ²	16	YE60000403200	
21	X2	Terminal board	Honeywell	GK5PE	4mm ² PE	4	YE60000403500	
22	X3	Terminal board	Honeywell	SK2.5	2.5mm ²	9	YE60002503200	
23	X4	Terminal board	Honeywell	GK2.5PE	2.5mm ² PE	1	YE60002503400	
24	X5	Terminal board	Honeywell	SK2.5	2.5mm ²	4	YE60002503200	
机型号版本 Ver.E								
Notes: (1) Items not in the control box; (2) Optional dew-point transducer; (3)Drying blower and regen. blower thermal relay;								
Drawer			Version	Title	Drawing NO.	Scale	Page	4
Designer			Approved by	SD-80H	SD-80H-CE-230V-I-4	Standard	CE	Totally
Proofread by			Date	Elec. Parts List 1			Voltage	5
Checked by			Date				Frequency	Pages
Modified by			Modify date	20191112			3Φ230V	50HZ
Mark	Before modification	After modification	Modified by	Modify date				8



1		2		3		4		5		6		7		8	
NO.	Symbol	Name	Manufacturer	Type	Specification	Number	Material number	Remark							
		Terminal fittings E/GK series	Honeywell	E	GK	8	YE60000003900								
	M1	Blower	SHINI	----	0.75kW 230V	1	----	(1)							
	M2	Blower	SHINI	----	0.18kW 230V	1	----	(1)							
A	M3	Rotor motor	----	----	6W 230V 50/60Hz	1	----	(1)							
	EH	Heater	SHINI	----	3kW 230V	1	----	(1)							
	F1	Thermal overload relay	SIEMENS	3RU6116-1FB0	3.5-5A	1	YE01160350000	(3)							
	F2	Thermal overload relay	SIEMENS	3RU6116-1AB0	1.1-1.6A	1	YE01160110000	(3)							
									B						
									C						
									D						
初型版本 Ver.E														Notes: (1) Items not in the control box; (2) Optional dew-point transducer;(3)Drying blower and regen. blower thermal relay;	
														Drawing No.	
														Title	
														SD-80H	
														Elec. Parts List 2	
														SD-80H-CE-230V-I-5	
														Scale	
														Standard	
														CE	
														Voltage	
														Frequency	
														3Φ 230V	
														50Hz	
														Page	
														5	
														Totally	
														5	
														Pages	
														5	
														Voltage	
														3Φ 230V	
														Frequency	
														50Hz	
														Page	
														5	
														Totally	
														5	
														Pages	
														5	
														Voltage	
														3Φ 230V	
														Frequency	
														50Hz	
														Page	
														5	
														Totally	
														5	
														Pages	
														5	
														Voltage	
														3Φ 230V	
														Frequency	
														50Hz	
														Page	
														5	
														Totally	
														5	
														Pages	
														5	
														Voltage	
														3Φ 230V	
														Frequency	
														50Hz	
														Page	
														5	
														Totally	
														5	
														Pages	
														5	
														Voltage	
														3Φ 230V	
														Frequency	
														50Hz	





机版本 Ver.E		Title		Drawing NO.		Page 1	
		SD-120H		SD-120H-CE-230V-1-1		Totally 5 Pages	
Designer		Approved by		Standard		CE	
Proofread by		Date		Voltage		3Φ230V	
Checked by		20191112		Frequency		50Hz	
After modification		Modified by		Voltage		3Φ230V	
Before modification		Date		Frequency		50Hz	
Mark		Date		Voltage		3Φ230V	
1		4		6		8	
2		4		6		8	
3		4		6		8	
4		4		6		8	
5		4		6		8	
6		4		6		8	
7		4		6		8	
8		4		6		8	

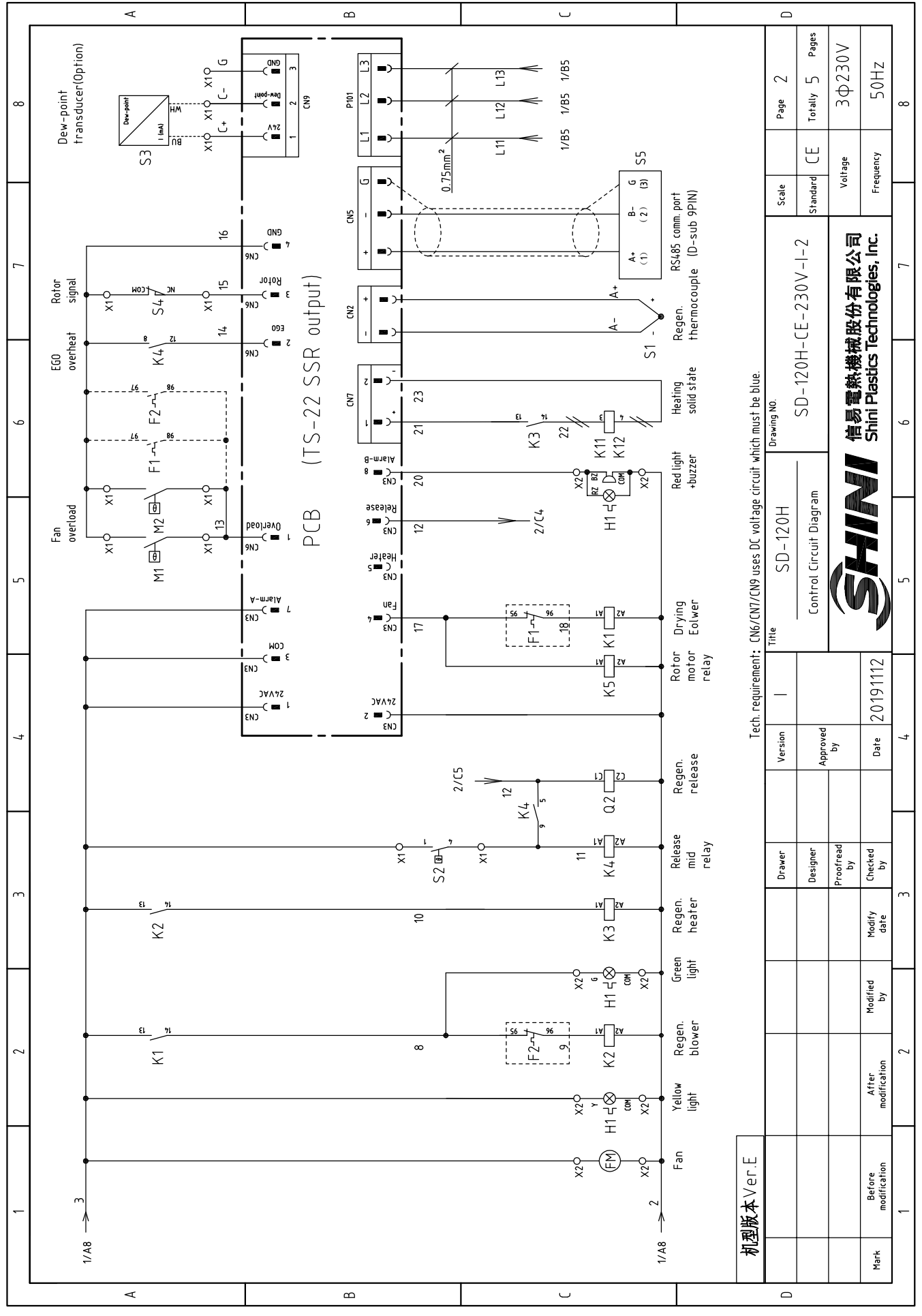


P=15W
IN=0.1A
Rotor motor

P=0.18KW
IN=1.2A
Regen. blower

P=0.75KW
IN=3.96A
Drying blower

P=4 KW
IN=10.5A
Regenerative heater



机 型 版 本 Ver.E	Version	I	Title	Drawing NO.		Page 2
	Designer			SD-120H		
Mark	Approved by		Control Circuit Diagram	SD-120H-CE-230V-I-2		Pages
	After modification			Voltage	Standard	CE
Before modification	Checked by	20191112	Frequency		3 ϕ 230V	50Hz
	Modified by					

Tech. requirement: CN6/CN7/CN9 uses DC voltage circuit, which must be blue.



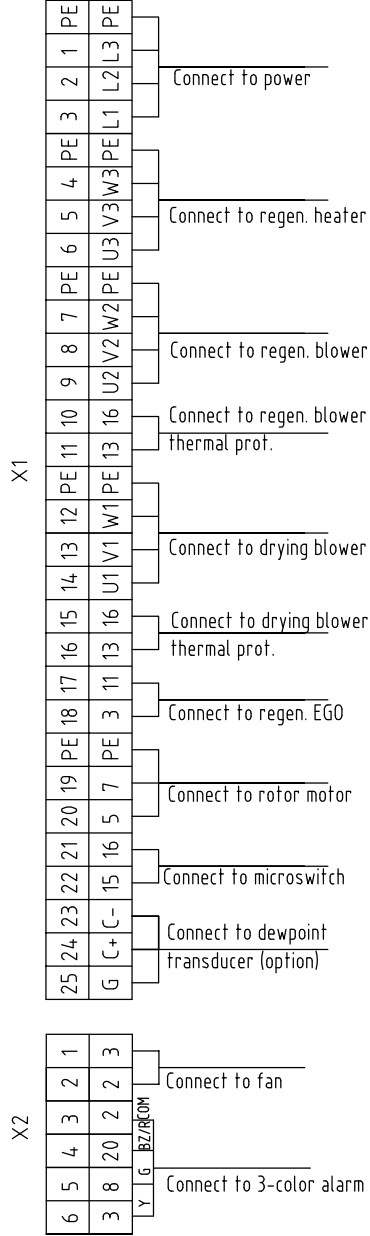
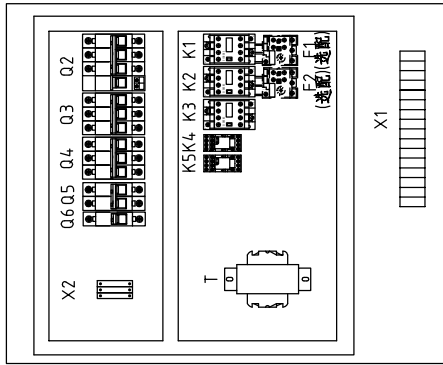
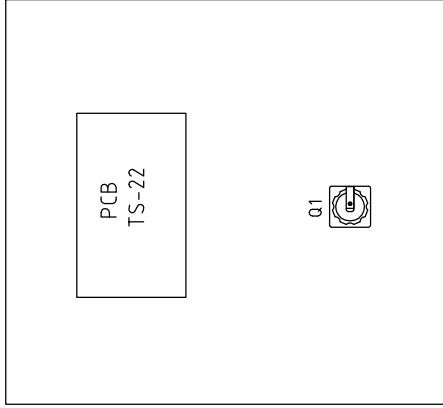
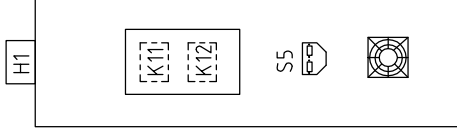
1 2 3 4 5 6 7 8

A

B

C

D



机型版本 Ver.E


Drawing NO.		SD-120H-CE-230V-I-1		Scale	Page 3
Title		SD-120H Elec. Component Layout		Standard	Totally 5 Pages
Version	I	SHINI		Voltage	3φ230V
Approved by		信易電熱機械股份有限公司 Shini Plastics Technologies, Inc.		Frequency	50Hz
Date	20191112				
Drawer					
Designer					
Proofread by					
Checked by					
Modify date					
Modified by					
Before modification					
After modification					
Mark					

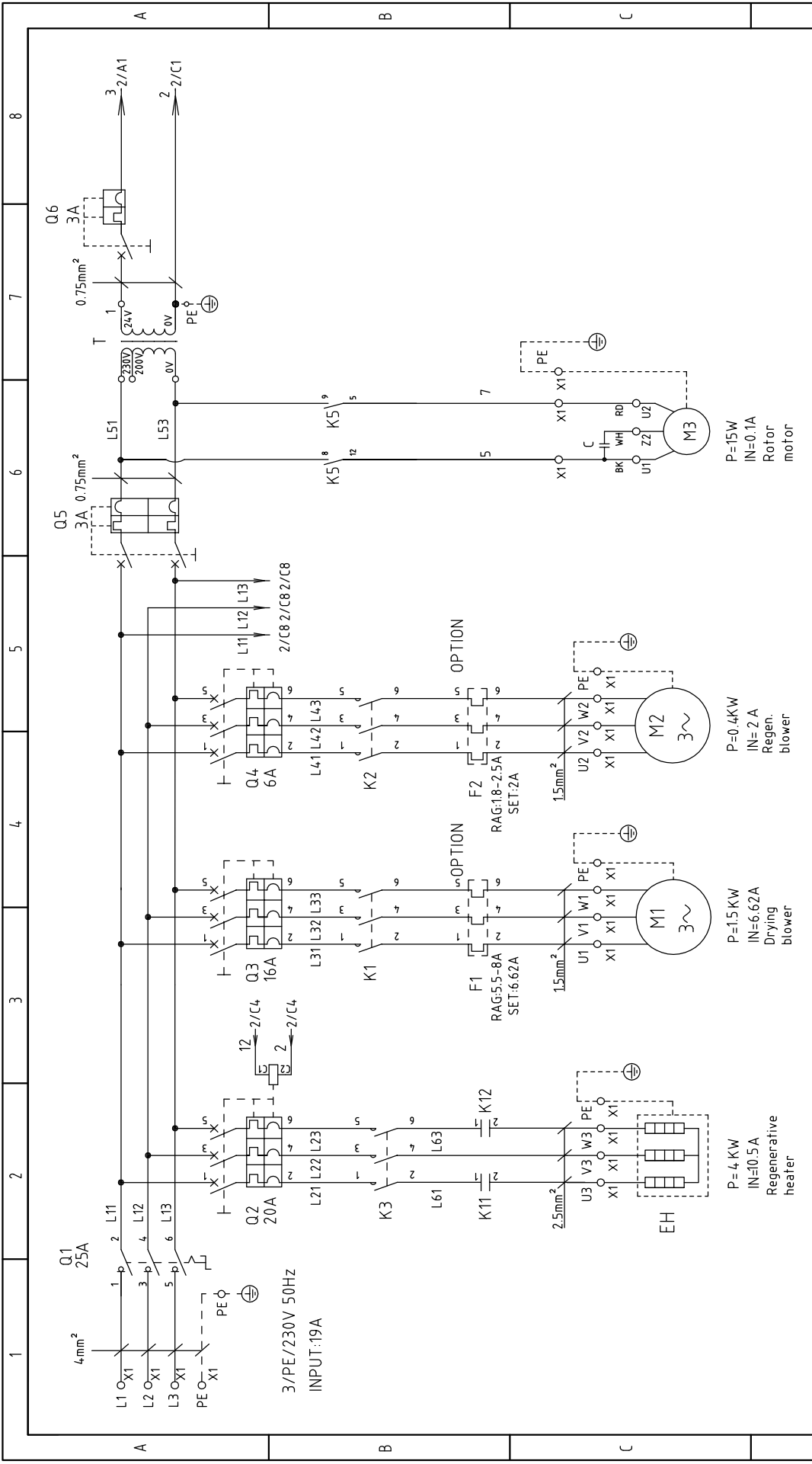
1 2 3 4 5 6 7 8

1	2		3	4	5	6	7	8
NO.	Symbol	Name	Manufacturer	Type	Specification	Number	Material number	Remark
1	Q1	Main switch	EATON	T0-2-1/EA/SVB	20A	1	YE10021160000	
2	Q2	Circuit breakers	TECO	BM-63C	16A	1	YE40301603000	
3		Excitation release	YIJIN	MX	24VAC	1	YE40024000000	A
4	Q3	Circuit breakers	TECO	BM-63C	10A	1	YE40301003000	
5	Q4	Circuit breakers	TECO	BM-63C	6A	1	YE40300603000	
6	Q5	Circuit breakers	TECO	BM-63C	3A	1	YE40200203000	
7	Q6	Circuit breakers	TECO	BM-63C	3A	1	YE40100203000	
8	K1 K2 K3	Contactors	SIEMENS	3RT6015-1AB01-24VAC	24VAC 50/60Hz	3	YE00601502500	
9	K11 K12	Solid state relay	FOTEK	KSR-40DA-H	40A/480VAC/4-32VDC	2	YE03404003200	
10	K4 K5	Middle relay	Honeywell	GR-2C base PGR-2C-E	24V AC	2	YE03022400300	
11	T	Transformer	JIUXIN	IN-230V/200V OUT=24VAC	180VA	1	YE70023005400	B
12	PCB	Microcomputer PCB	YUYUN	TS-22(assembly) SSR output	24V 50/60Hz	1	YE80222408200	
13	S1	Thermocouple	SHINI	----	K	1	----	(1)
14	S2	Overheat protector	EGO	ZA300	250V 300°C	1	----	(1)
15	S3	Dew-point transducer	SUTO	217-0EM	POWER=24VDC 4-20mA	1	YE90021700100	(1) (2)
16	S4	Limit switch	TEND	LXW5-11G1	250V 5(4)A	1	----	(1)
17	S5	Comm. interface plate RS-485 (Dsub-9pin connector)	YUYUN	----	PCS	1	YE90048501200	
18		Shell RS-485(SAL-700G-A-19)ver.0	BINCHEG	----	PCS	1	YR40048500000	
19	H1	Three-color alarm/Alarm	SHINI	Red,yel.blue+buzzer	PCS	1	BL90002401520	(1)
20	FM	Fan	SUNON	-----	24V 50/60Hz	1	----	(1)
21	X1	Terminal board	Honeywell	SK4	4mm ²	16	YE60000403200	
22		Terminal board	Honeywell	GK5PE	4mm ² PE	4	YE60000403500	
23		Terminal board	Honeywell	SK2.5	2.5mm ²	9	YE600002503200	
24		Terminal board	Honeywell	GK2.5PE	2.5mm ² PE	1	YE600002503400	
25	X2	Terminal board	Honeywell	SK2.5	2.5mm ²	4	YE600002503200	
机型版本 Ver.E								
Notes: (1) Items not in the control box; (2) Optional dew-point transducer; (3)Drying blower and regen. blower thermal relay;								
D			Drawer	Version	Title	Drawing NO.	Scale	Page
			Designer	I	SD-120H	SD-120H-CE-230V-I-4	Standard	4
			Proofread by	Approved by	Elec. Parts List 1	CE	Voltage	5
			Checked by	Date			Frequency	Pages
Mark			After modification	20191112			3Φ230V	Totally
1			2	3	4	5	6	7
								8



信易电热机械股份有限公司
Shini Plastics Technologies, Inc.

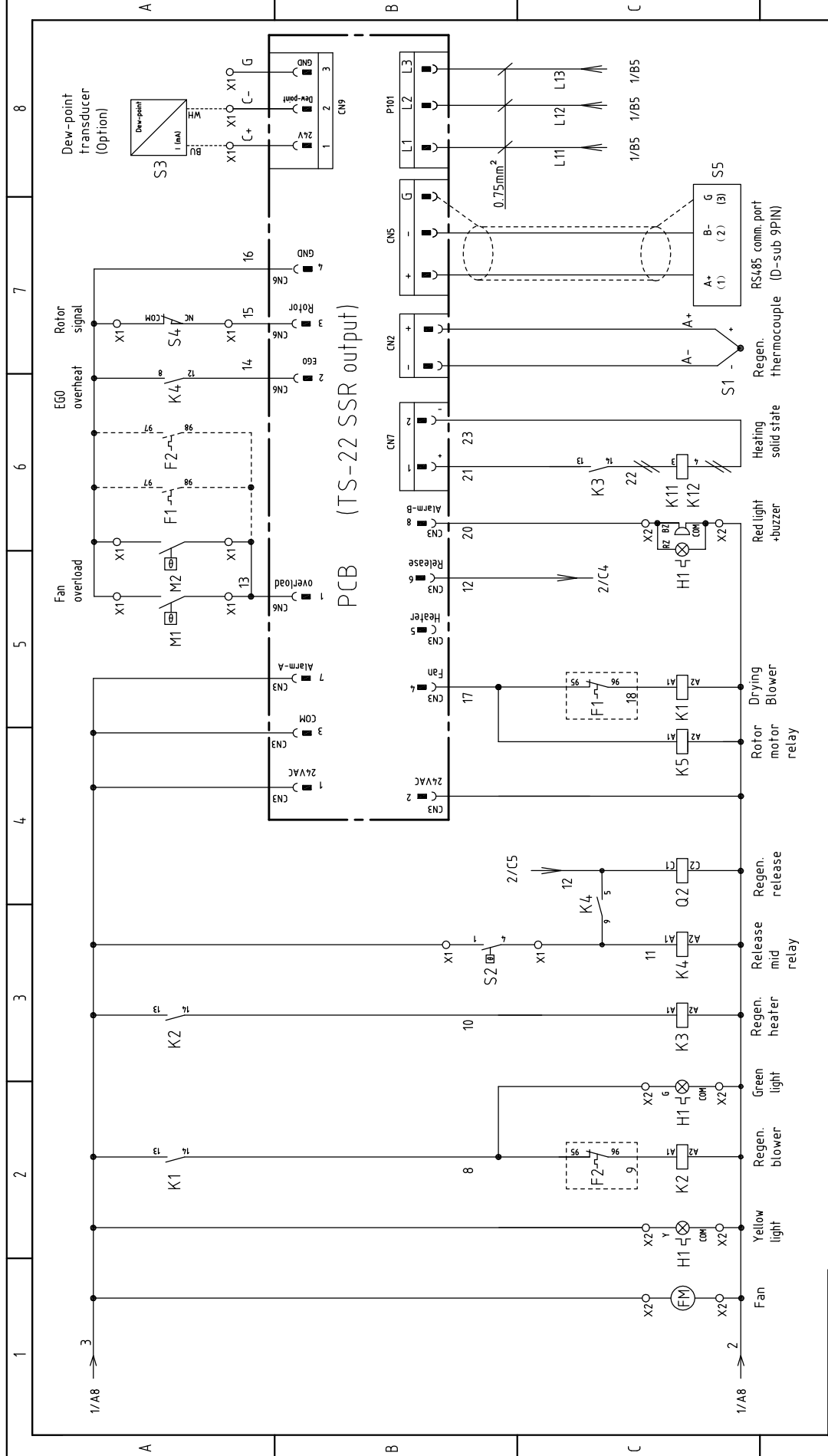
1		2		3		4		5		6		7		8																																																																																	
NO.	Symbol	Name	/Manufacturer	Type	Specification	Number	Material number	Remark																																																																																							
26		Terminal fittings E/GK series	Honeywell	E	GK	8	YE60000003900																																																																																								
27	M1	Blower	SHINI	----	0.75kW 230V	1	----	(1)																																																																																							
28	M2	Blower	SHINI	----	0.18kW 230V	1	----	(1)	A																																																																																						
29	M3	Rotor motor	----	----	6W 230V 50/60Hz	1	----	(1)																																																																																							
30	EH	Heater	SHINI	----	3kW 230V	1	----	(1)																																																																																							
31	F1	Thermal overload relay	SIEMENS	3RU6116-1FB0	3.5-5A	1	YE01160350000	(3)																																																																																							
32	F2	Thermal overload relay	SIEMENS	3RU6116-1AB0	1.1-1.6A	1	YE01160110000	(3)																																																																																							
									B																																																																																						
									C																																																																																						
机型版本 Ver.E Notes: (1) Items not in the control box. (2) Optional dew-point transducer.(3)Drying blower and regen. blower thermal relay.																																																																																															
<table border="1" style="width:100%; border-collapse: collapse;"> <tr> <td colspan="4"></td> <td colspan="2">Title</td> <td colspan="2">Version</td> <td colspan="2">I</td> <td colspan="2">Drawing NO.</td> <td colspan="2">Scale</td> <td colspan="2">Page</td> </tr> <tr> <td colspan="4"></td> <td colspan="2">SD-120H</td> <td colspan="2"></td> <td colspan="2"></td> <td colspan="2">SD-120H-CE-230V-I-5</td> <td colspan="2">Standard</td> <td colspan="2">Page</td> </tr> <tr> <td colspan="4"></td> <td colspan="2">Elec. Parts List 2</td> <td colspan="2"></td> <td colspan="2"></td> <td colspan="2"></td> <td colspan="2">CE</td> <td colspan="2">Totally 5</td> </tr> <tr> <td colspan="4"></td> <td colspan="2"></td> <td colspan="2"></td> <td colspan="2"></td> <td colspan="2"></td> <td colspan="2">Voltage</td> <td colspan="2">3φ230V</td> </tr> <tr> <td colspan="4"></td> <td colspan="2"></td> <td colspan="2"></td> <td colspan="2"></td> <td colspan="2"></td> <td colspan="2">Frequency</td> <td colspan="2">50Hz</td> </tr> </table>																				Title		Version		I		Drawing NO.		Scale		Page						SD-120H						SD-120H-CE-230V-I-5		Standard		Page						Elec. Parts List 2								CE		Totally 5														Voltage		3φ230V														Frequency		50Hz	
				Title		Version		I		Drawing NO.		Scale		Page																																																																																	
				SD-120H						SD-120H-CE-230V-I-5		Standard		Page																																																																																	
				Elec. Parts List 2								CE		Totally 5																																																																																	
												Voltage		3φ230V																																																																																	
												Frequency		50Hz																																																																																	
<table border="1" style="width:100%; border-collapse: collapse;"> <tr> <td colspan="3"></td> <td colspan="2">Designer</td> <td colspan="2">Approved by</td> <td colspan="2">Date</td> <td colspan="2">20191112</td> <td colspan="2">4</td> <td colspan="2">5</td> <td colspan="2">8</td> </tr> <tr> <td colspan="3"></td> <td colspan="2">Proofread by</td> <td colspan="2">Checked by</td> <td colspan="2">Modify date</td> <td colspan="2"></td> <td colspan="2">3</td> <td colspan="2">4</td> <td colspan="2">8</td> </tr> <tr> <td colspan="3">Mark</td> <td colspan="2">After modification</td> <td colspan="2">Modified by</td> <td colspan="2">Modify date</td> <td colspan="2"></td> <td colspan="2">1</td> <td colspan="2">2</td> <td colspan="2">8</td> </tr> </table>																			Designer		Approved by		Date		20191112		4		5		8					Proofread by		Checked by		Modify date				3		4		8		Mark			After modification		Modified by		Modify date				1		2		8																														
			Designer		Approved by		Date		20191112		4		5		8																																																																																
			Proofread by		Checked by		Modify date				3		4		8																																																																																
Mark			After modification		Modified by		Modify date				1		2		8																																																																																
 <p style="text-align: center;">信易電熱機械股份有限公司 Shini Plastics Technologies, Inc.</p>																																																																																															



机型版本 Ver.E

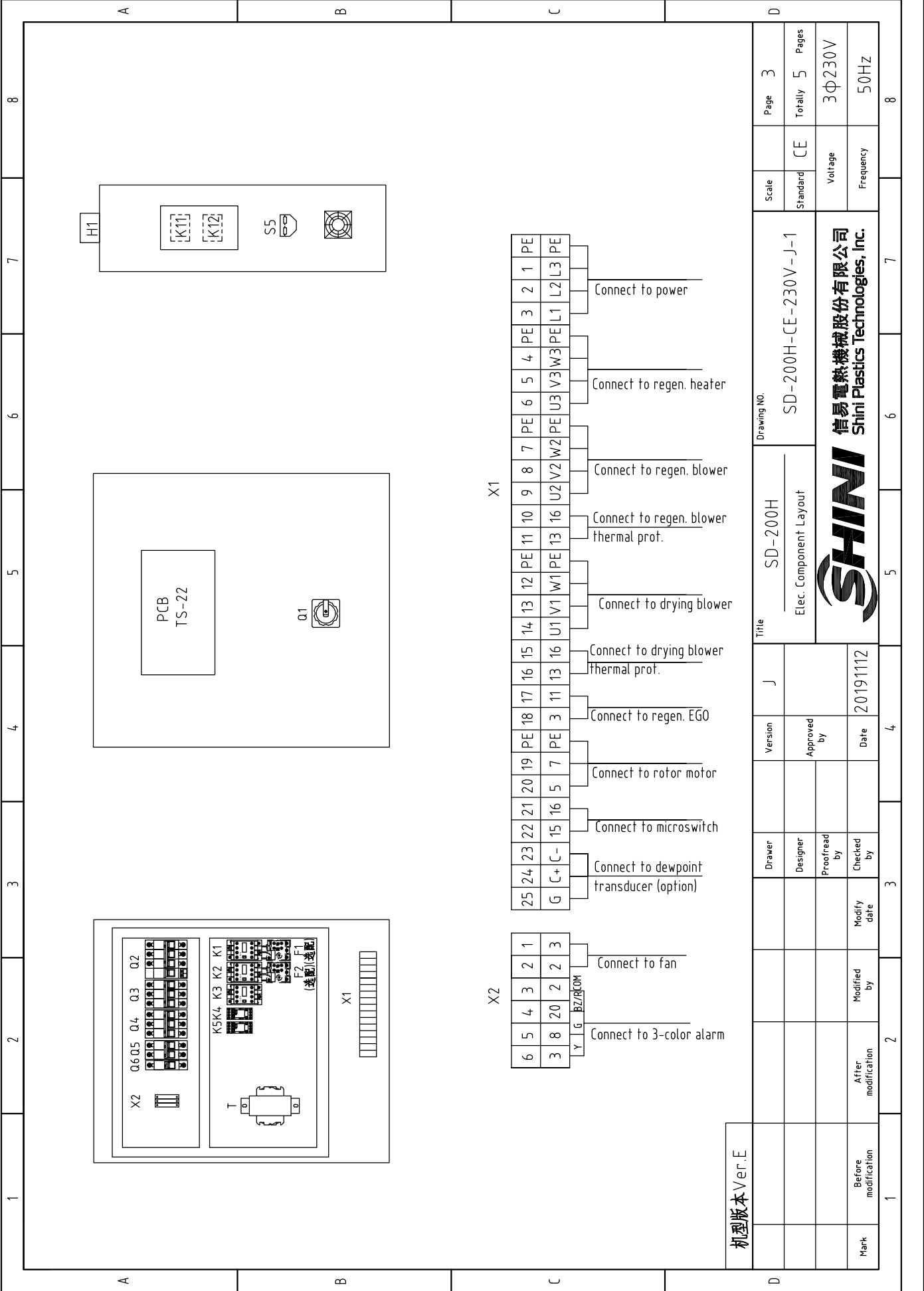
D	Scale	Standard	CE	Page	1
	Drawing NO.		SD-200H-CE-230V-J-1	Totally	5 Pages
Title		SD-200H Main Circuit Diagram		Voltage	3Φ230V
Version		J	Approved by	Frequency	50HZ
Drawer	Designer	Proofread by	Checked by	Date	20191112
Mark	Before modification	After modification	Modified by	Modify date	





机型版本 Ver.E	Tech. requirement: CN6/CN7/CN9 uses DC voltage circuit which must be blue.		Drawing NO.	Page 2
	Version	Approved by	Title	Scale
	J		SD-200H Control Circuit Diagram	Standard
	Drawer	Designer	SD-200H-CE-230V-J-2	CE
	Proofread by	Checked by		Totally 5 Pages
	Modified by	Modify date		Voltage
	After modification			3Φ230V
Mark	Before modification			Frequency
				50Hz





机型版本 Ver.E

Mark	Before modification	After modification	Modified by	Modify date	Date	20191112	Version	J	Title	SD-200H	Drawing NO.	SD-200H-CE-230V-J-1	Scale	Page	3
								Approved by		Elec. Component Layout		Standard		CE	Totally

信易电热机械股份有限公司
Shini Plastics Technologies, Inc.

X1

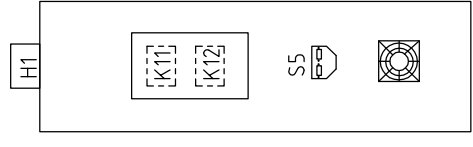
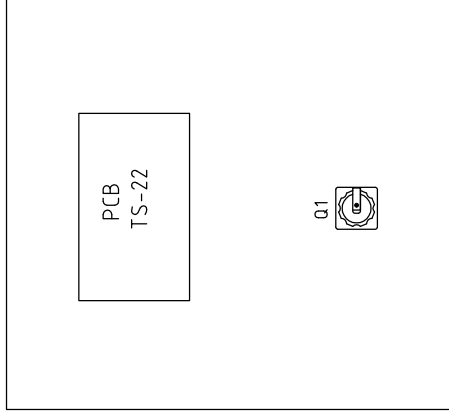
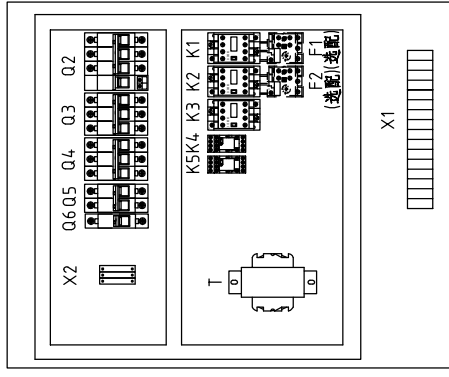
25	24	23	22	21	20	19	18	17	16	15	14	13	12	11	10	9	8	7	6	5	4	3	2	1	PE				
G	C+	C-	15	16	5	7	PE	3	11	13	16	U1	V1	W1	PE	13	16	U2	V2	W2	PE	U3	V3	W3	PE	L1	L2	L3	PE

- Connect to fan
- Connect to 3-color alarm
- Connect to dewpoint transducer (option)
- Connect to microswitch
- Connect to rotor motor
- Connect to regen. EGO
- Connect to drying blower thermal prot.
- Connect to drying blower
- Connect to regen. blower thermal prot.
- Connect to regen. blower
- Connect to regen. heater
- Connect to power

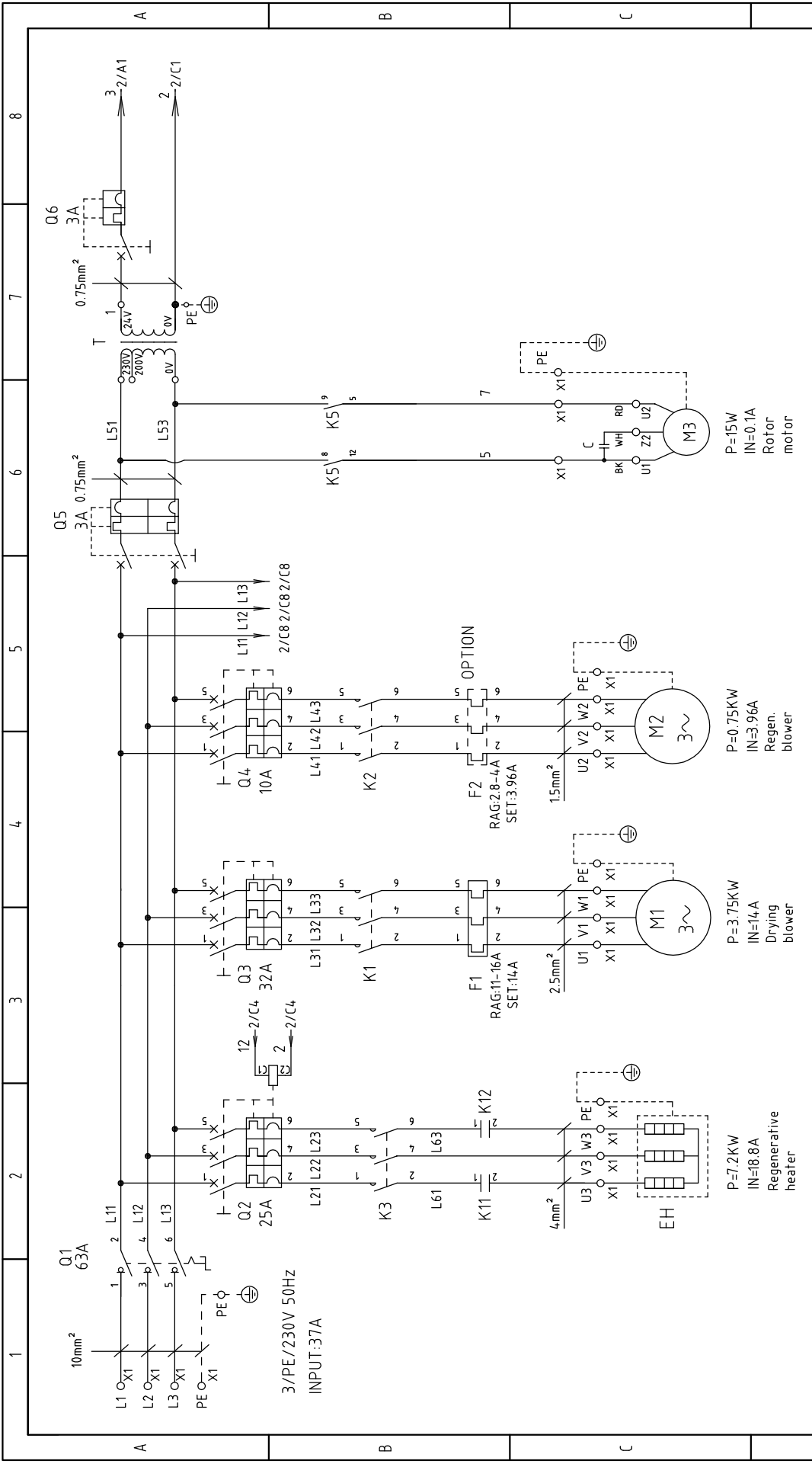
X2

6	5	4	3	2	1
Y	L	G	BZ	RCOM	


- Connect to fan
- Connect to 3-color alarm

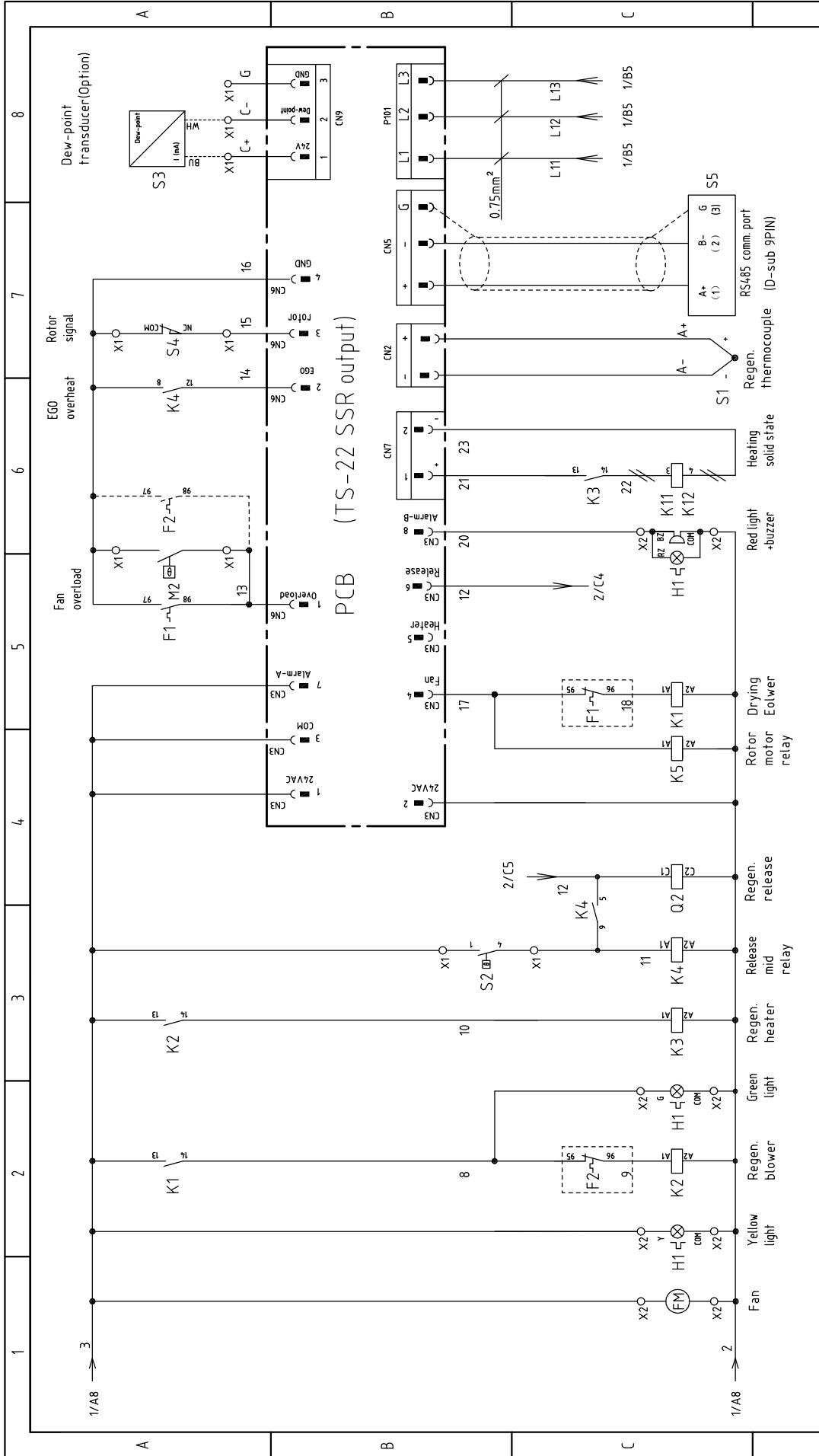


1	2		3	4	5	6	7	8	
NO.	Symbol	Name	Manufacturer	Type	Specification	Number	Material number	Remark	
1	Q1	Main switch	EATON	P1-25/EA/SVB	25A	1	YE10125250000		
2	Q2	Circuit breaker	TECO	BM-63C	20A	1	YE40302003000		
3		Excitation release	YIJIN	MX	24VAC	1	YE40024000000	A	
4	Q3	Circuit breaker	TECO	BM-63C	16A	1	YE40301603000		
5	Q4	Circuit breaker	TECO	BM-63C	6A	1	YE40300603000		
6	Q5	Circuit breaker	TECO	BM-63C	3A	1	YE40200203000		
7	Q6	Circuit breaker	TECO	BM-63C	3A	1	YE40100203000		
8	K1	Contact	SIEMENS	3RT6016-1AB01-24VAC	24VAC 50/60Hz	1	YE00601602500		
9	K11 K12	Solid state relay	FOTEK	KSR-40DA-H	40A/480VAC/4-32VDC	2	YE03404003200		
10	K2 K3	Contactors	SIEMENS	3RT6015-1AB01-24VAC	7A 24VAC 50/60Hz	2	YE00601502500		
11	K4 K5	Middle relay	Honeywell	GR-2C base PGR-2C-E	24V AC	2	YE03022400300	B	
12	F1	Thermal overload relay	SIEMENS	3RU6116-1HB0	5.5-8A	1	YE01160550000	(3)	
13	F2	Thermal overload relay	SIEMENS	3RU6116-1DB0	2.2-3.2A	1	YE01160220000	(3)	
14	T	Transformer	JIUXIN	IN=230V/200V OUT=24VAC	180VA	1	YE700223005400		
15	PCB	Microcomputer PCB	YUYUN	TS-22(assembly) SSR output	24V 50/60Hz	1	YE80222408200		
16	S1	Thermocouple	SHINI	----	K	1	----	(1)	
17	S2	Overheat protector	EGO	ZA300	250V 300°C	1	----	(1)	
18	S3	Dew-point transducer	SUTO	217-0EM	POWER-24VDC 4-20mA	1	YE90021700100	(1) (2)	
19	S4	Limit switch	TEND	LXW5-11G1	250V 5(A)	1	----	(1)	
20	S5	Comm. interface plate RS-485 (D-sub-9pin connector)	YUYUN	----	PCS	1	YE90048501200		
21		Shell RS-485(SAL-700G-A-19)ver.0	BINCHEG	----	PCS	1	YR40048500000		
22	H1	Three-color alarm/Alarm	SHINI	Red,yel,blue-buzzer	PCS	1	BL90002401520	(1)	
23	FM	Fan	SUNON	----	24V 50/60Hz	1	----	(1)	
24	X1	Terminal board	Honeywell	SK4	4mm ²	16	YE60000403200		
25		Terminal board	Honeywell	GK5PE	4mm ² PE	4	YE60000403500		
机型版本 Ver.E									
Notes: (1) Items not in the control box; (2) Optional dew-point transducer; (3) Drying blower and regen. blower thermal relay;									
			Drawer	Version	Title		Drawing NO.		
			Designer	J	SD-200H		SD-200H-CE-230V-J-4		
			Proofread by	Approved by	Elec. Parts List 1		Standard	CE	
			Checked by	Date	SHINI		Voltage	3Φ230V	
			Modify date	20191112	信易电热机械股份有限公司		Frequency	50Hz	
			Modified by		SHINI		Shini Plastics Technologies, Inc.		
1	2	3	4	5	6	7	8		
Scale	Page	Totally	Pages						
Standard	4	5	5						



机型版本 Ver.D

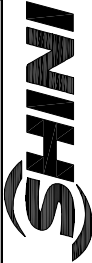
D	Title	SD-400H		Drawing NO.	SD-400H-CE-230V-H-1		Scale	Page	1
		Main Circuit Diagram			Standard	CE		Totally	5
Mark	Before modification	After modification	Modify date	Checked by	Date	20191112	Voltage	3Φ230V	
								Frequency	50HZ
 <p>信易电热机械股份有限公司 Shini Plastics Technologies, Inc.</p>									
1	2	3	4	5	6	7	8		8

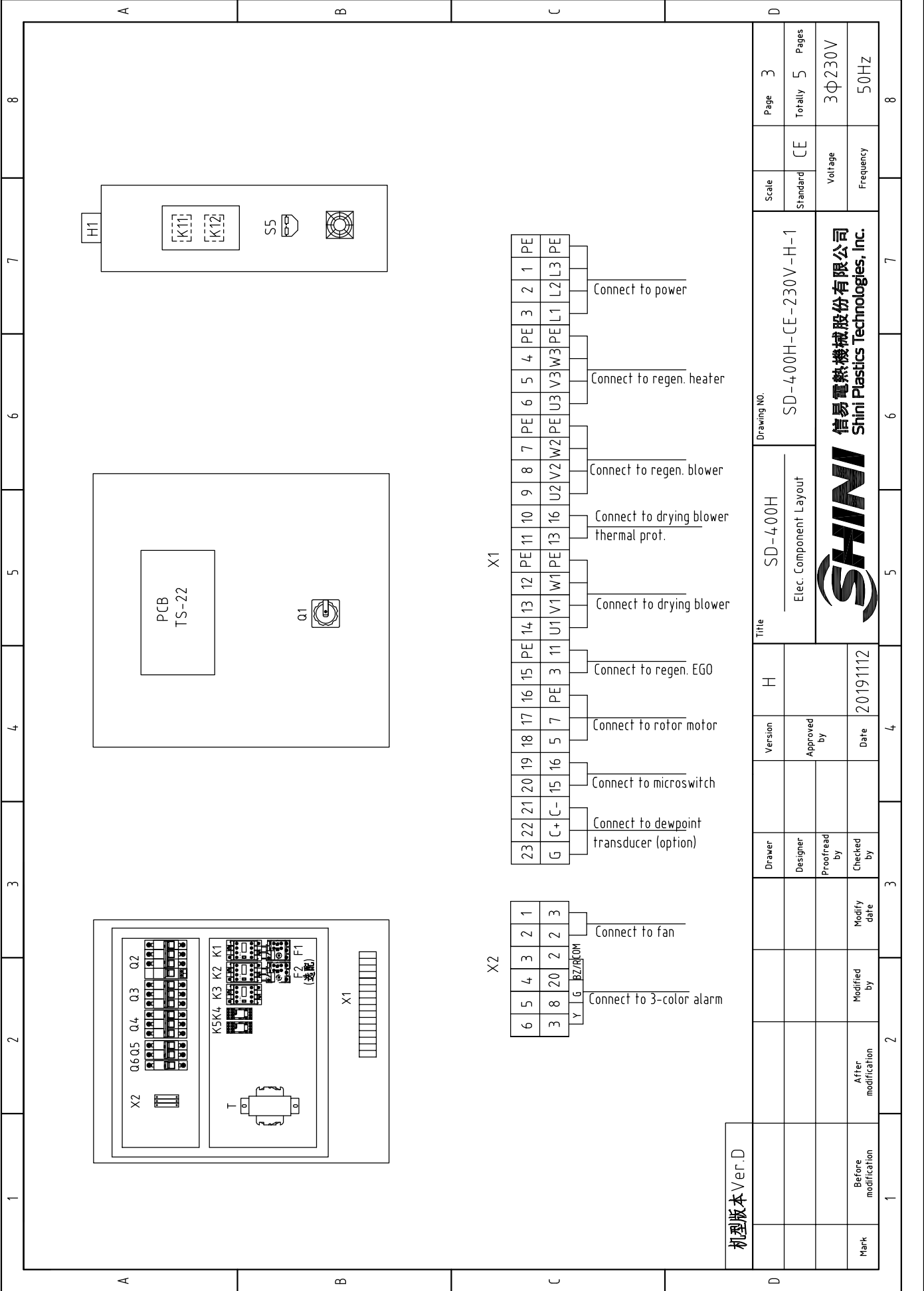


机型版本 Ver.D		Title		Version		Drawer		Mark	
SD-400H		SD-400H-CE-230V-H-2		H				Before modification	
Control Circuit Diagram		Drawing NO.		Approved by		Designer		After modification	
SD-400H-CE-230V-H-2		SD-400H-CE-230V-H-2		Date		Proofread by		Modified by	
CE		CE		20191112		Checked by		Modify date	
Voltage		Voltage		Date		Checked by		Modify date	
Frequency		Frequency		Date		Checked by		Modify date	
3Φ230V		3Φ230V		Date		Checked by		Modify date	
50HZ		50HZ		Date		Checked by		Modify date	
Page 2		Page 2		Date		Checked by		Modify date	
Totally 5 Pages		Totally 5 Pages		Date		Checked by		Modify date	
Standard		Standard		Date		Checked by		Modify date	
Voltage		Voltage		Date		Checked by		Modify date	
Frequency		Frequency		Date		Checked by		Modify date	
3Φ230V		3Φ230V		Date		Checked by		Modify date	
50HZ		50HZ		Date		Checked by		Modify date	

Tech. requirement: CN6/CN7/CN9 uses DC voltage circuit which must be blue.

信易电热机械股份有限公司
Shini Plastics Technologies, Inc.





初型版本 Ver.D

Drawer	H	Version	Title		Scale	Page
Designer		Approved by	SD-400H		Standard	Totally
Proofread by		Date	Elec. Component Layout		CE	5
Checked by	20191112		SHINI		Voltage	3Φ230V
Mark	After modification	Modified by	信易電熱機械股份有限公司 Shini Plastics Technologies, Inc.		Frequency	50Hz
	Before modification	Modify date				8

Drawing NO.

SD-400H-CE-230V-H-1



1	2		3	4	5	6	7	8
NO.	Symbol	Name	Manufacturer	Type	Specification	Number	Material number	Remark
1	Q1	Main switch	EATON	P3-63/EA/SVB 63A	63A	1	YE10636300000	
2	Q2	Circuit breakers	TECO	BM-63C	25A	1	YE40302503000	
3	Q3	Excitation release	YIJIN	MX	24VAC	1	YE40024000000	A
4	Q4	Circuit breaker	TECO	BM-63C	32A	1	YE40303203000	
5	Q5	Circuit breaker	TECO	BM-63C	10A	1	YE40301003000	
6	Q6	Circuit breaker	TECO	BM-63C	3A	1	YE40200203000	
7	Q6	Circuit breaker	TECO	BM-63C	3A	1	YE40100203000	
8	K1	Contact	SIEMENS	3RT6018-1AB01-24VAC	24VAC 50/60Hz	1	YE00601802500	
9	K2	Contact	SIEMENS	3RT6016-1AB01-24VAC	24VAC 50/60Hz	1	YE00601602500	
10	K3	Contact	SIEMENS	3RT6023-1AC20-24VAC	24VAC 50/60Hz	1	YE00602301100	
11	K4 K5	Middle relay	Honeywell	GR-2C base PGR-2C-E	24V AC	2	YE03022400300	B
12	K11 K12	Solid state relay	FOTEK	KSR-40DA-H	40A/480VAC/4-32VDC	2	YE03404003200	
13	F1	Thermal overload relay	SIEMENS	3RU6116-4AB0	11-16A	1	YE01611640000	
14	F2	Thermal overload relay	SIEMENS	3RU6116-1EB0	2.8-4A	1	YE01160280000	(3)
15	T	Transformer	JIUXIN	IN=230V/200V OUT=24VAC	180VA	1	YE70023005400	
16	PCB	Microcomputer PCB	YUYUN	TS-22(assembly) SSR output	24V 50/60Hz	1	YE80222408200	
17	S1	Thermocouple	SHINI	----	K	1	----	(1)
18	S2	Overheat protector	EGO	ZA300	250V 300°C	1	----	(1)
19	S3	Dew-point transducer	SUTO	217-0EM	POWER-24VDC 4-20mA	1	YE90021700100	(1) (2)
20	S4	Micro switch/Limit switch	TEND	LXW5-11G1	250V 5(4)/A	1	----	(1)
21	S5	Comm. interface plate RS-485 (Sub-9pin connector)	YUYUN	----	PCS	1	YE90048501200	
22	FM	Shell RS-485(SAL-700G-A-19)ver.0	BINCHEG	----	PCS	1	YR40048500000	
23	X1	Fan	SUNON	DP200A	24V 50/60Hz	1	----	(1)
24	X1	Terminal board	Honeywell	SK10	10mm ²	3	YE60001003200	
25	X1	Terminal board	Honeywell	GK10 PE	10mm ² PE	1	YE60001003500	
机型版本 Ver.D								
Notes: (1) Items not in the control box; (2) Optional dew-point transducer; (3)Drying blower and regen. blower thermal relay;								
Title			Version			H		
SD-400H			SD-400H			SD-400H-CE-230V-H-4		
Elec. Parts List 1			Approved by			Scale		
						Standard CE		
			Date			Voltage		
			20191112			3Φ230V		
Mark			After modification			Frequency		
						50HZ		
1	2		3	4	5	6	7	8



信易電熱機械股份有限公司
Shini Plastics Technologies, Inc.

Drawing NO.

SD-400H-CE-230V-H-4

Page 4

Totally 5 Pages

Scale

Standard CE

Voltage

3Φ230V

Frequency

50HZ

Page

Totally

5 Pages

Scale

Standard CE

Voltage

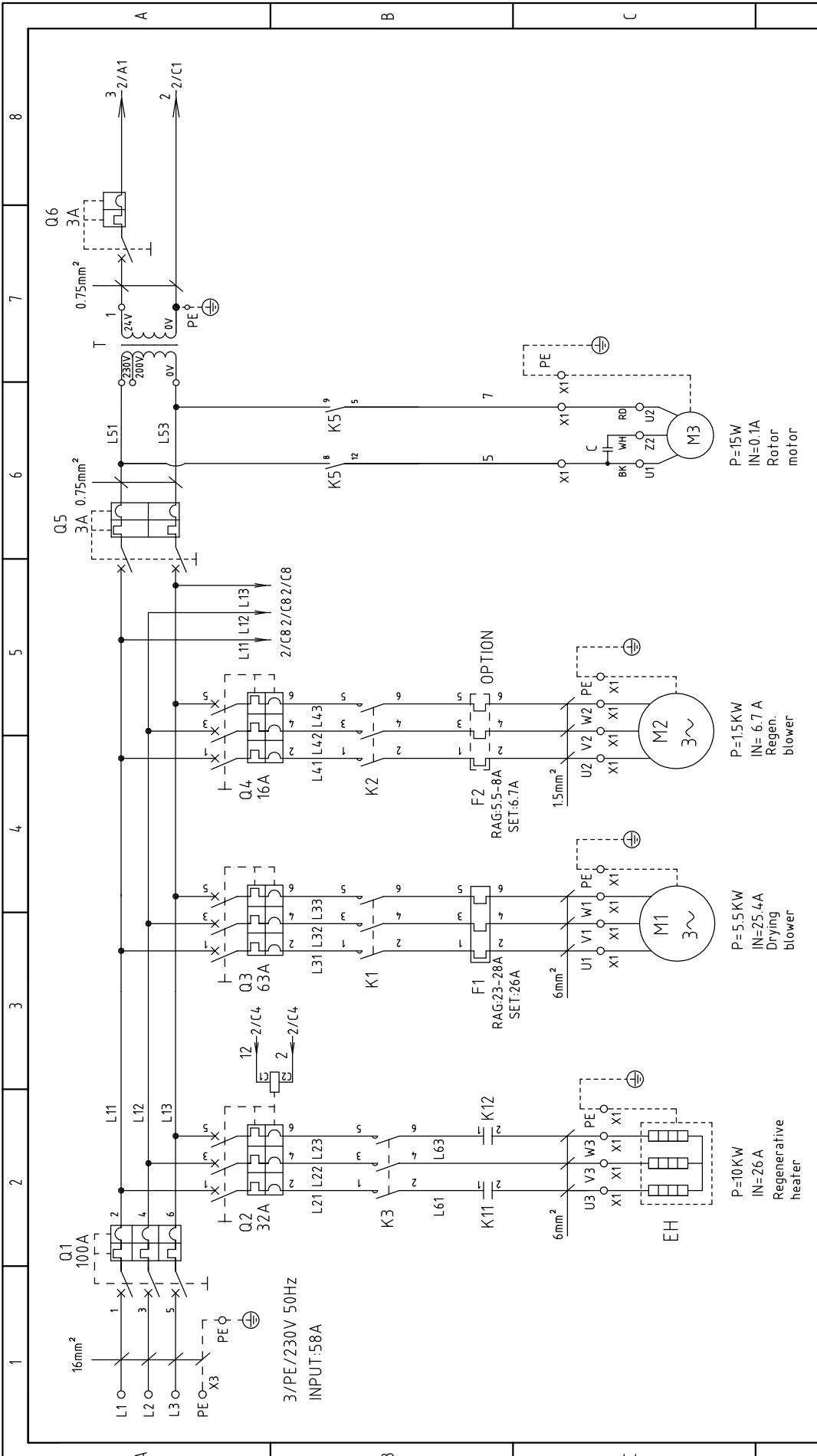
3Φ230V

Frequency

50HZ

1	2		3			4		5		6		7		8	
NO.	Symbol	Name	Manufacturer	Type	Specification	Number	Material number	Remark							
A									A						
26	Terminal board	Honeywell	SK4	4.0mm ²	11	YE60000403200									
27	Terminal board	Honeywell	GK5PE	4.0mm ² PE	3	YE60000403500									
28	Terminal board	Honeywell	SK2.5	2.5mm ²	9	YE60002503200									
29	Terminal board	Honeywell	GK2.5PE	2.5mm ² PE	1	YE60002503400									
30	X2 Terminal board	Honeywell	SK2.5	2.5mm ²	4	YE60002503200									
31	Terminal fittings E/GK series	Honeywell	E	GK	8	YE60000003900									
B									B						
32	Blower	SHINI	----	3.75kW 230V	1	----		(1)							
33	Blower	SHINI	----	0.75kW 230V	1	----		(1)							
34	Rotor motor	----	----	15W 230V 50/60Hz	1	----		(1)							
35	Heater	SHINI	----	7.2kW 230V	1	----		(1)							
36	H1	SHINI	Red, yel. blue+ buzzer	PCS	1	BL900024.01520		(1)							
C									C						
D									D						
机型版本 Ver.D									Notes: (1) Items not in the control box; (2) Optional dew-point transducer; (3) Regen. blower optional blower thermal relay;						
Title			H			Version			SD-400H			Drawing NO.			
Designer			Approved by			Elec. Parts List 2			SD-400H-CE-230V-H-5			Scale			
Proofread by			Date			20191112			CE			Page 5			
Checked by			Date			20191112			Voltage			Totally 5 Pages			
Modified by			Modify date						Frequency			3Φ230V			
Before modification			After modification						Frequency			50Hz			
1	2		3			4		5		6		7		8	

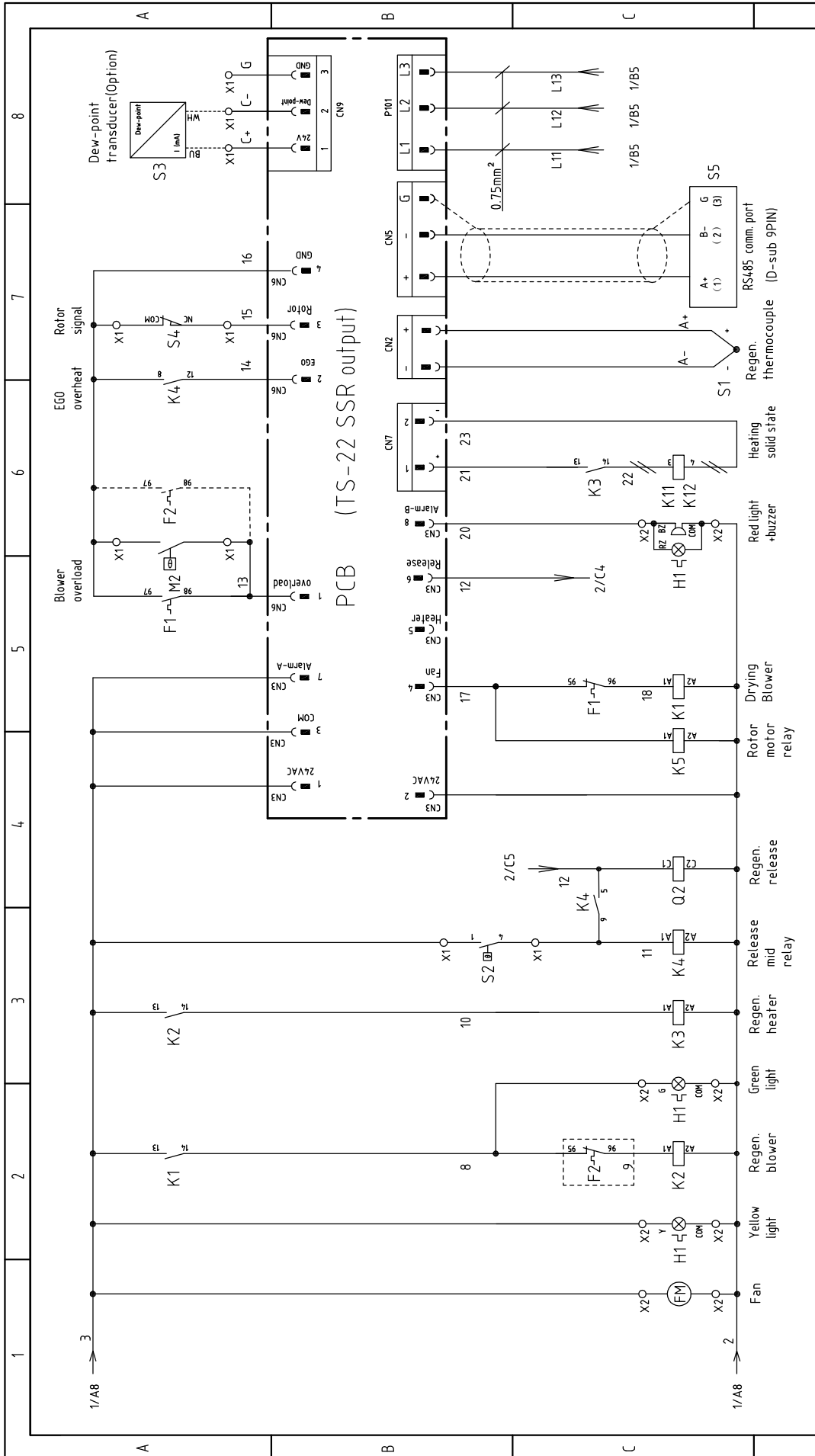




机型版本	Ver.G
Mark	Before modification
Modified by	
Modify date	
Checked by	
Proofread by	
Designer	
Drawer	
Version	H
Approved by	
Date	20191112

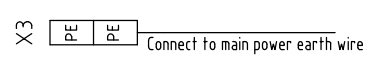
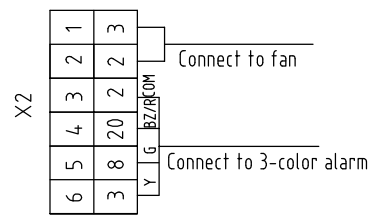
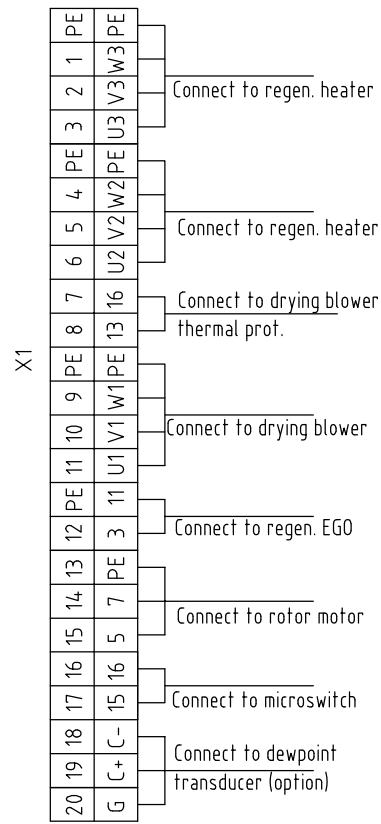
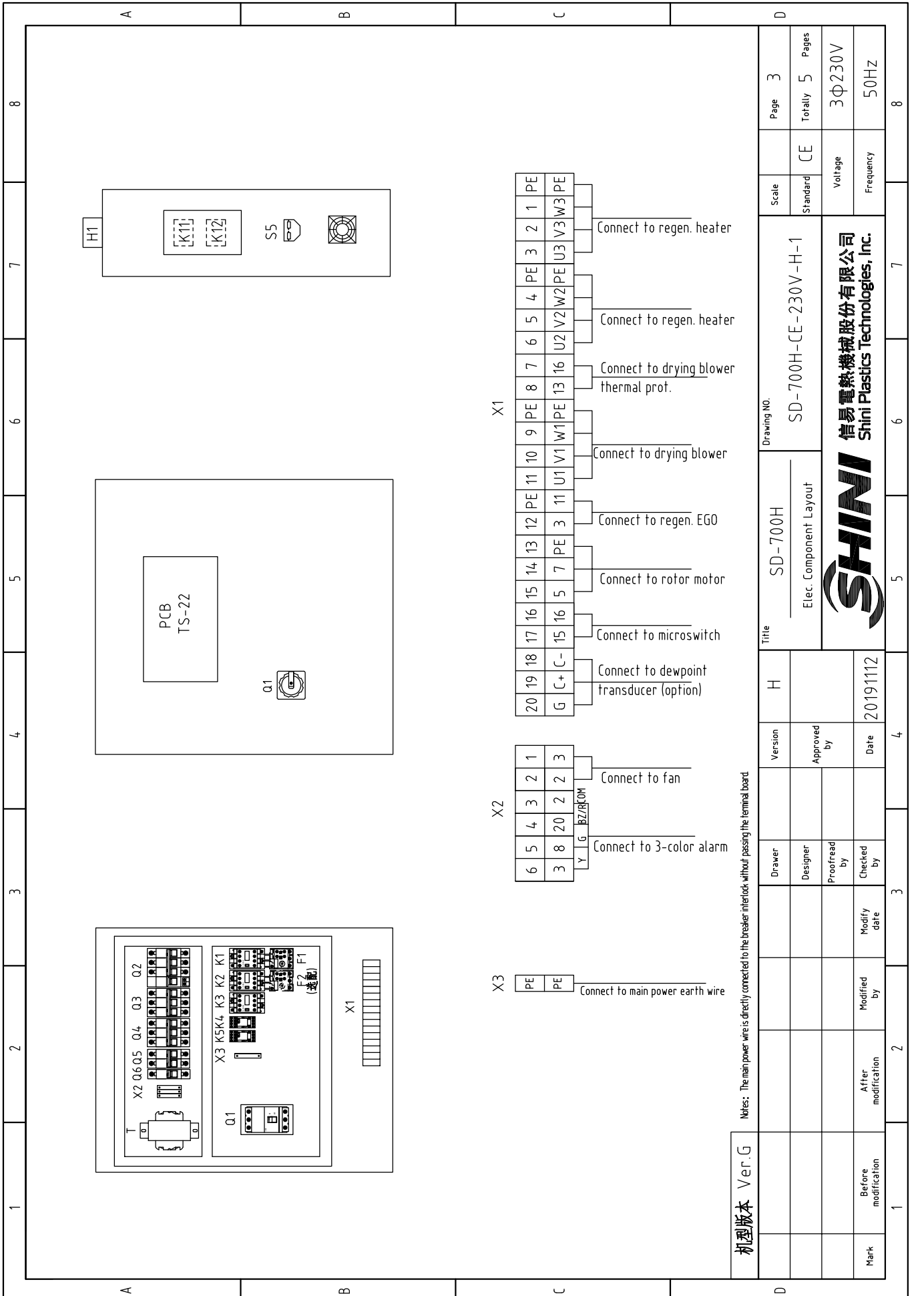
Title		SD-700H		Drawing NO.		SD-700H-CE-230V-H-1	
Main Circuit Diagram		Scale		Standard		CE	
Page		1		Totally		5 Pages	
Voltage		3Φ230V		Frequency		50HZ	
Before modification		2		After modification		3	
Modified by		4		Date		20191112	
Checked by		5		Approved by		6	
Proofread by		7		Designer		8	
Drawer		9		Version		10	
Approved by		11		Title		12	
Date		13		Drawing NO.		14	
20191112		15		SD-700H		16	
1		2		3		4	
5		6		7		8	





机型版本 Ver.G		Tech. requirement: CN6/CN7/CN9 uses DC voltage circuit which must be blue.	
Title	SD-700H	Drawing NO.	SD-700H-CE-230V-H-2
Version	H	Standard	CE
Designer		Voltage	3 ϕ 230V
Proofread by		Frequency	50HZ
Checked by		Page	2
Modify date		Totally	5
After modification		Pages	
Before modification			
Mark			





机型版本 Ver.G	Title		Drawing NO.		Scale	Page
	SD-700H		SD-700H-CE-230V-H-1		Standard	3
	Elec. Component Layout				CE	Totally 5
					Voltage	3Φ230V
Mark	Before modification	After modification	Modified by	Modify date	Frequency	50Hz
						8

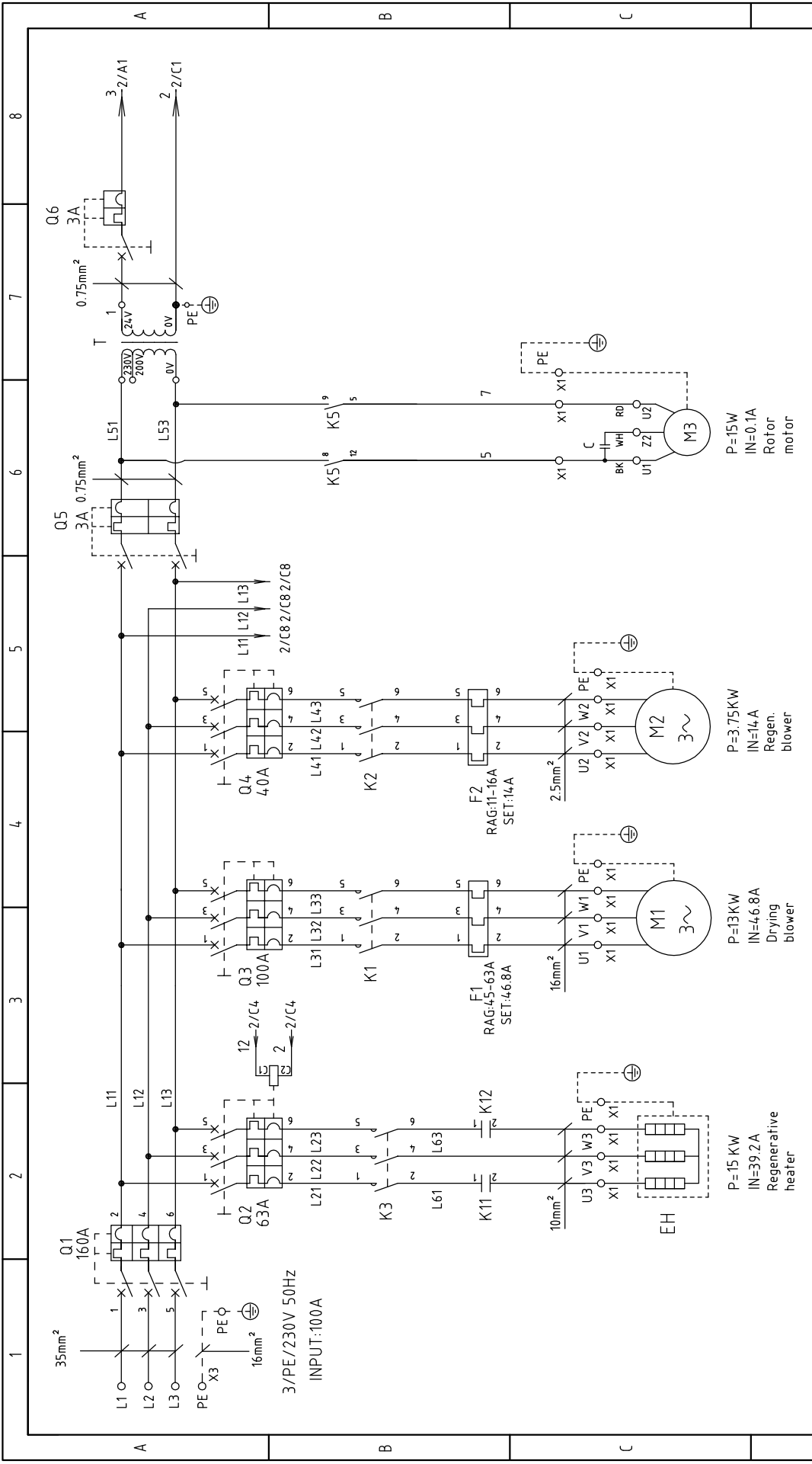
SHINI
 信易电热机械股份有限公司
 Shini Plastics Technologies, Inc.

Notes: The main power wire is directly connected to the breaker interlock without passing the terminal board.

1	2		3	4	5	6	7	8
NO.	Symbol	Name	Manufacturer	Type	Specification	Number	Material number	Remark
1	Q1	Main switch	ABB	A1A125TMF100	100A	1	YE41110200000	
2	Q2	Circuit breaker	TECO	BM-63C	32A	1	YE40303203000	
3		Excitation release	YIJIN	MX	24VAC	1	YE40024000000	A
4	Q3	Circuit breaker	TECO	BM-63C	63A	1	YE40306303000	
5	Q4	Circuit breaker	TECO	BM-63C	16A	1	YE40301603000	
6	Q5	Circuit breaker	TECO	BM-63C	3A	1	YE40200203000	
7	Q6	Circuit breaker	TECO	BM-63C	3A	1	YE40100203000	
8	K1	Contacto	SIEMENS	3RT6027-1AC20-24VAC	24VAC 50/60Hz	1	YE00602702600	
9	K2	Contacto	SIEMENS	3RT6016-1AB01-24VAC	24VAC 50/60Hz	1	YE00601602500	
10	K3	Contacto	SIEMENS	3RT6023-1AC20-24VAC	24VAC 50/60Hz	1	YE00602301100	
11	K4 K5	Middle relay	Honeywell	GR-2C base PGR-2C-E	24V AC	2	YE03022400300	B
12	K11 K12	Solid state relay	FOTEK	KSR-50DA-H	50A/480VAC/4-32VDC	2	YE03505003200	
13	F1	Thermal overload relay	SIEMENS	3RU6126-4NB0	23-28A	1	YE01612620000	
14	F2	Thermal overload relay	SIEMENS	3RU6116-1GB0	5.5-8A	1	YE01160550000	(3)
15	T	Transformer	JIUXIN	IN=230V/200V OUT=24VAC	180VA	1	YE70023005400	
16	PCB	Microcomputer PCB	YUYUN	TS-22(assembly) SSR output	24V 50/60Hz	1	YE80222408200	
17	S1	Thermocouple	SHINI	----	K	1	----	(1)
18	S2	Overheat protector	EGO	ZA300	250V 300°C	1	----	(1)
19	S3	Dew-point transducer	SUTO	217-0EM	POWER=24VDC 4-20mA	1	YE90021700100	(1) (2)
20	S4	Micro switch/Limit switch	TEND	LXW5-11G1	250V 5(A)	1	----	(1)
21	S5	Comm. interface plate RS-485 (Dsub-9pin connector)	YUYUN	----	PCS	1	YE90048501200	
22		Shell RS-485(SAL-700G-A-19)ver.0	BINCHENG	----	PCS	1	YR40048500000	
23	FM	Fan	SUNON	----	----	1	----	(1)
24	X3	Terminal board	Honeywell	GK16 PE	16mm ² PE	1	YE60001603500	
25	X1	Terminal board	Honeywell	SK6	6mm ²	6	YE60000603200	
机型版本 Ver.G								
Notes: (1) Items not in the control box; (2) Optional dew-point transducer; (3)Drying blower and regen. blower thermal relay;								
			Drawer	Version	Title		Drawing NO.	
			Designer	H	SD-700H		SD-700H-CE-230V-H-4	
			Proofread by	Approved by	Elec. Parts List 1		Scale	Page 4
			Checked by	Date			Standard	Totally 5 Pages
			Modify date	20191112			Voltage	3Φ230V
Mark			After modification				Frequency	50HZ
1	2	3	4	5	6	7	8	

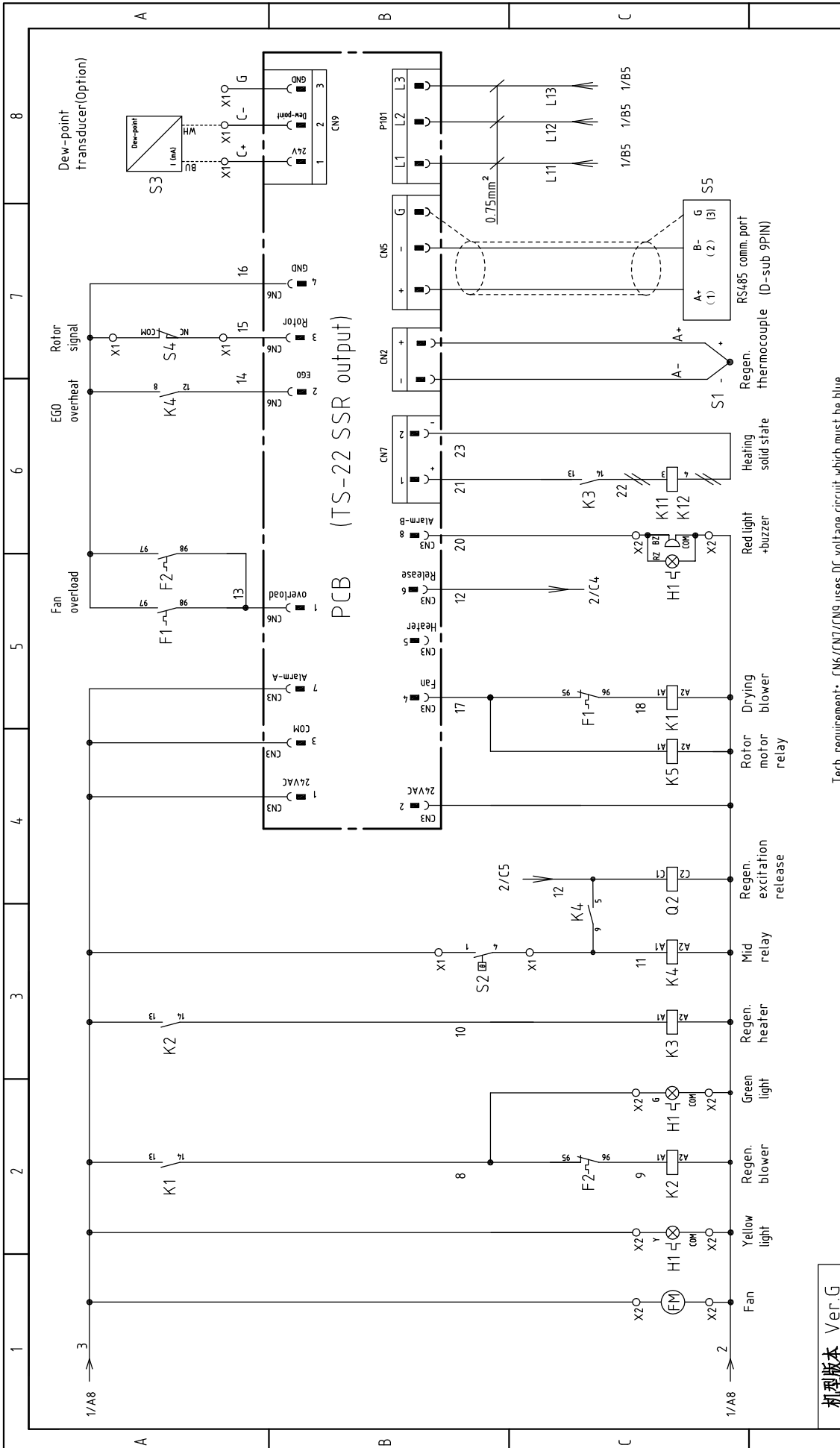


信易電熱機械股份有限公司
Shini Plastics Technologies, Inc.

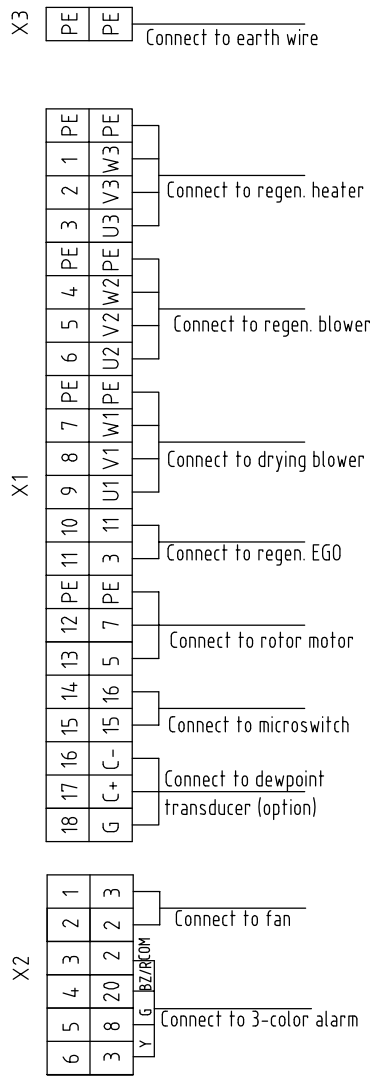
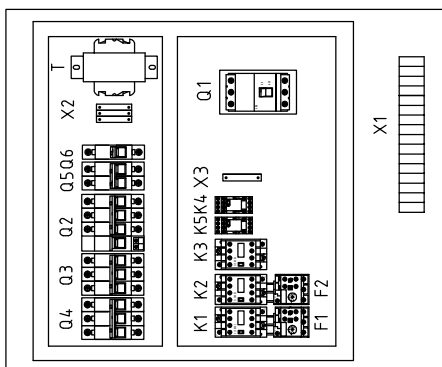
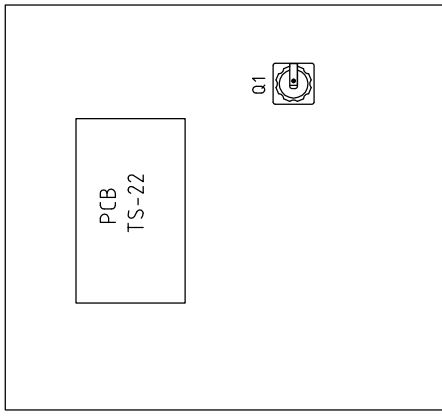
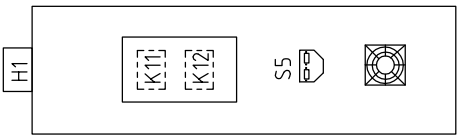
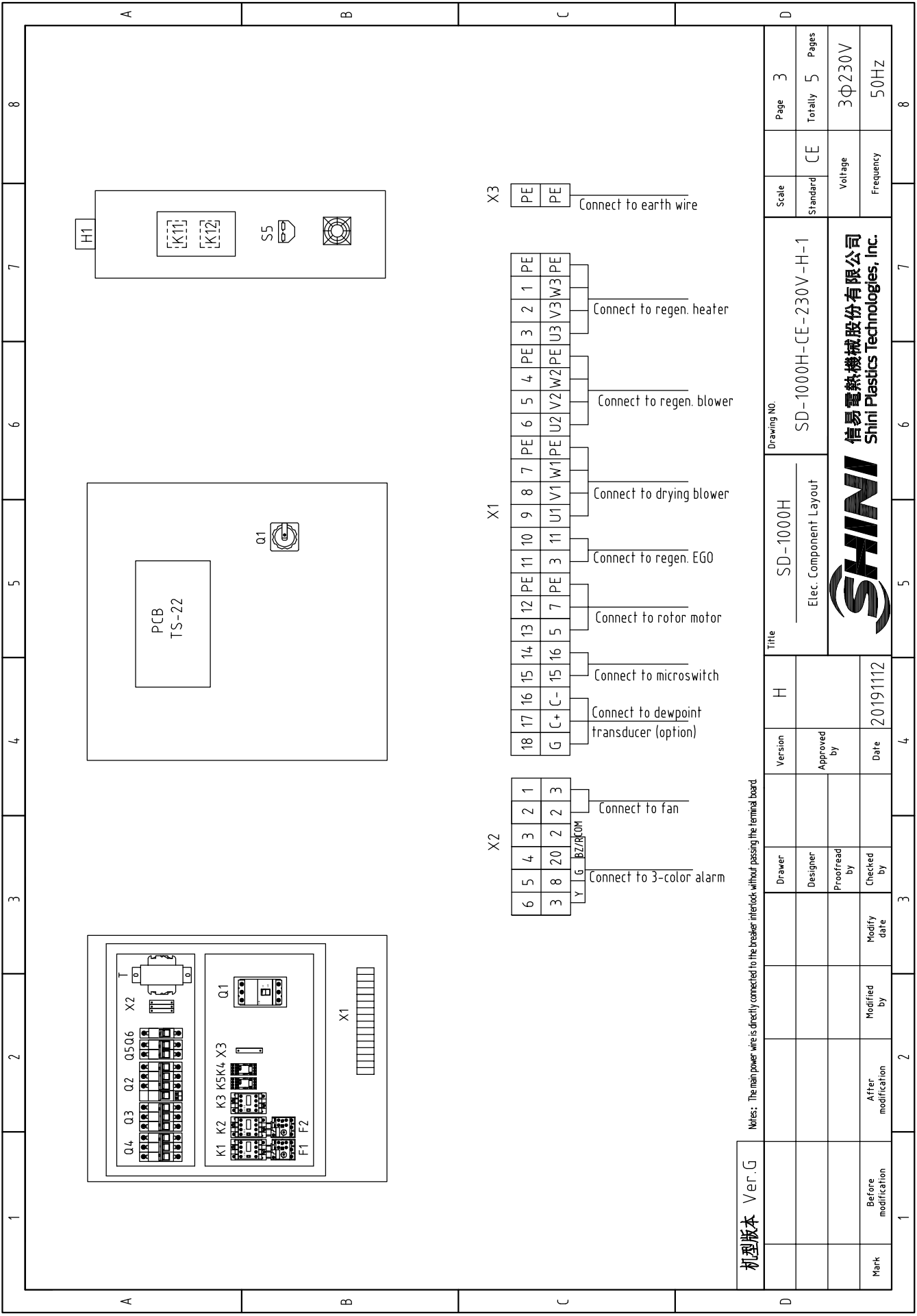


机型版本 Ver.G		Title		Drawing NO.		Page 1	
		SD-1000H		SD-1000H-CE-230V-H-1		Standard CE	
		Main Circuit Diagram				Voltage 3Φ230V	
		Approved by				Frequency 50HZ	
		Date		20191112			
Mark		After modification		Modified by		Modified date	
Before modification		Checked by		Checked by		Checked by	
		Designer		Designer		Designer	
		Proofread by		Proofread by		Proofread by	
		Version		Version		Version	
		H		H		H	
		3		3		3	
		4		4		4	
		5		5		5	
		6		6		6	
		7		7		7	
		8		8		8	

SHINI
信易电热机械股份有限公司
Shini Plastics Technologies, Inc.



机型版本 Ver.G		Title		SD-1000H		Scale		Page 2	
		Tech. requirement: CN6/CN7/CN9 uses DC voltage circuit which must be blue.		Control Circuit Diagram		Standard		Totally 5 Pages	
		Version		SD-1000H-CE-230V-H-2		CE		Voltage	
		Designer		SHINI		SHINI		Frequency	
		Proofread by		信易电热机械股份有限公司		SHINI		3φ230V	
		Checked by		Shini Plastics Technologies, Inc.				50Hz	
Mark		After modification		Date		20191112			
1		2		3		4		5	
6		7		8		9		10	

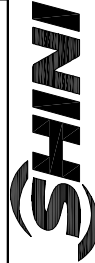


机型版本 Ver.G	Drawer	Designer	Proofread by	Checked by	Modify date	After modification	Modified by	Date	H	Title	Drawing NO.		Page	
											SD-1000H Elec. Component Layout			SD-1000H-CE-230V-H-1
Mark	Before modification							20191112				CE	3	
													Totally	
													5	
													Pages	
													3Φ230V	
													50HZ	
1	2	3	4	5	6	7	8							

SHINI
信易電熱機械股份有限公司
Shini Plastics Technologies, Inc.

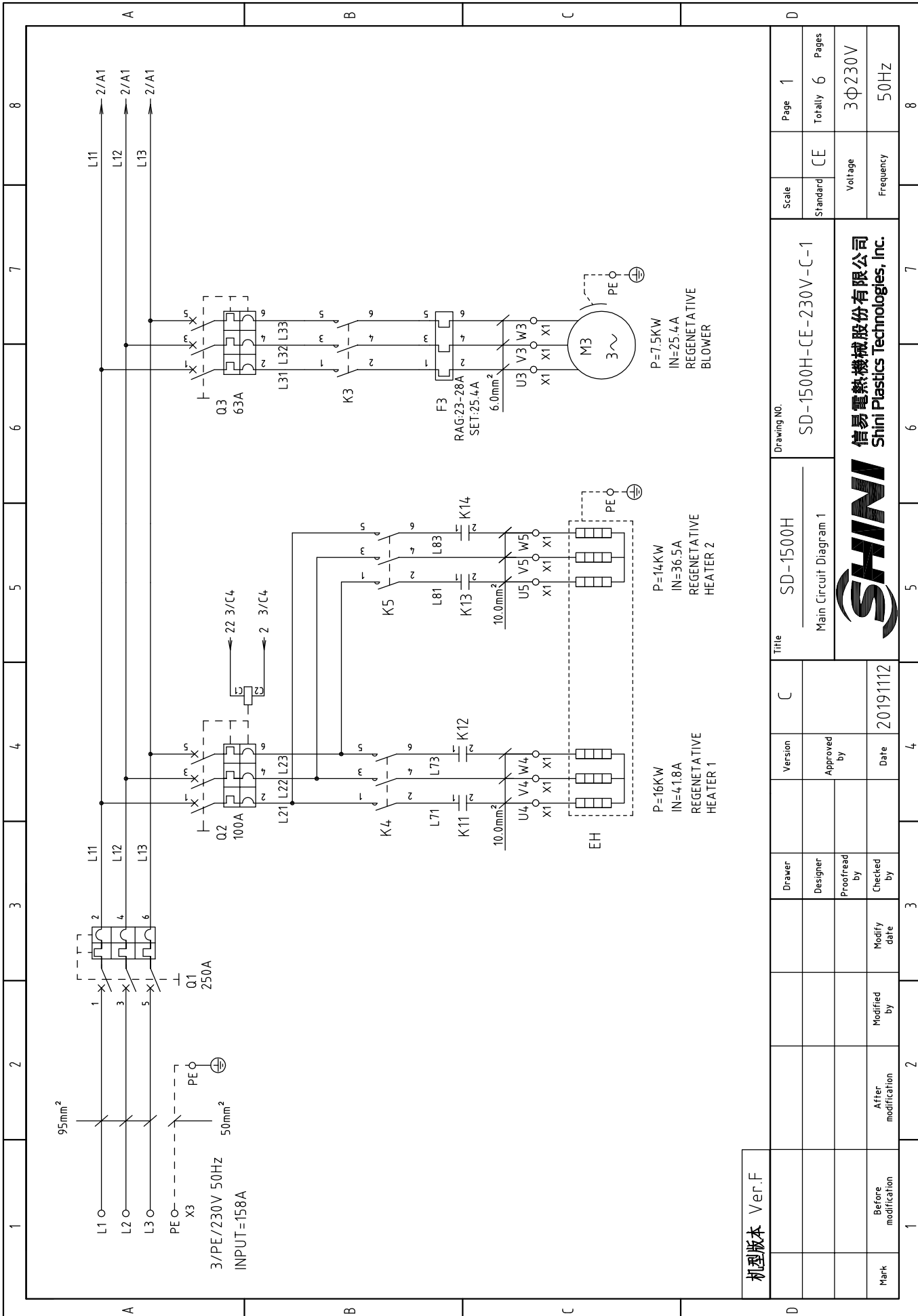
Notes: The main power wire is directly connected to the breaker interlock without passing the terminal board.

1	2		3	4	5	6	7	8
NO.	Symbol	Name	Manufacturer	Type	Specification	Number	Material number	Remark
1	Q1	Breaker interlock	ABB	A2B250TMF160	160A	1	YE41161500000	
2	Q2	Circuit breaker	TECO	BM-63C	63A	1	YE40306303000	
3	Q3	Excitation release	YIJIN	MX	24VAC	1	YE40024000000	A
4	Q4	Circuit breaker	TECO	BM-63C	100A	1	YE403100003000	
5	Q4	Circuit breaker	TECO	BM-63C	40A	1	YE40304003000	
6	Q5	Circuit breaker	TECO	BM-63C	3A	1	YE40200203000	
7	Q6	Circuit breaker	TECO	BM-63C	3A	1	YE40100203000	
8	K1	Contactor	SIEMENS	3RT5044-1AC20-24VAC	24VAC 50/60HZ	1	YE00504402600	
9	K2	Contactor	SIEMENS	3RT6026-1AC20-24VAC	24VAC 50/60HZ	1	YE00602602600	
10	K3	Contactor	SIEMENS	3RT5034-1AC20-24VAC	24VAC 50/60HZ	1	YE00503400700	
11	K4 K5	Auxiliary contactor	SIEMENS	3RH5921-1CA10	PCS	2	YE0059210000	B
12	K11 K12	Middle relay	Honeywell	GR-2C base PGR-2C-E	24V AC	2	YE03022400300	
13	F1	Solid state relay	FOTEK	KSR-75DA-H	75A/480VAC/4-32VDC	2	YE03757503200	
14	F2	Thermal overload relay	SIEMENS	3RU5146-4JB0	45-63A	1	YE01514640000	
15	T	Thermal overload relay	SIEMENS	3RU6116-4AB0	11-16A	1	YE01611640000	
16	PCB	Transformer	JIUXIN	IN=230V/200V OUT=24VAC	350VA	1	YE70023007000	
17	S1	Microcomputer PCB	YUYUN	TS-22(assembly) SSR output	24V 50/60HZ	1	YE80222408200	
18	S2	Thermocouple	SHINI	-----	K	1	-----	(1)
19	S2	Overheat protector	EGO	ZA300	250V 300°C	1	-----	(1)
20	S3	Dew-point transducer	SUTO	217-0EM	POWER-24VDC 4-20mA	1	YE90021700100	(1) (2)
21	S4	Micro switch/Limit switch	TEND	LXW5-11G1	250V 5(A)	1	-----	(1)
22	S5	Comm. interface plate RS-485 (Sub-9pin connector)	YUYUN	-----	PCS	1	YE90048501200	
23	FM	Shell RS-485(SAL-700G-A-19)ver.0	BINCHENG	-----	PCS	1	YR40048500000	
24	X3	Fan	SUNON	-----	-----	1	-----	(1)
25	X3	Terminal board	Honeywell	GK16PE	16mm ² PE	1	YE60003503500	
机罩版本 Ver.G								
Notes: (1) Items not in the control box; (2) Optional dew-point transducer.			Version	H	Title	Drawing NO.		
			Designer		SD-1000H	SD-1000H-CE-230V-H-4		
			Proofread by	Approved by	Elec. Parts List 1		Scale	Page 4
			Checked by	Date			Standard	Totally 5 Pages
			Modify date	20191112			Voltage	3Φ230V
			After modification				Frequency	50HZ
1	2	3	4	5	6	7	8	



信易电热机械股份有限公司
Shini Plastics Technologies, Inc.

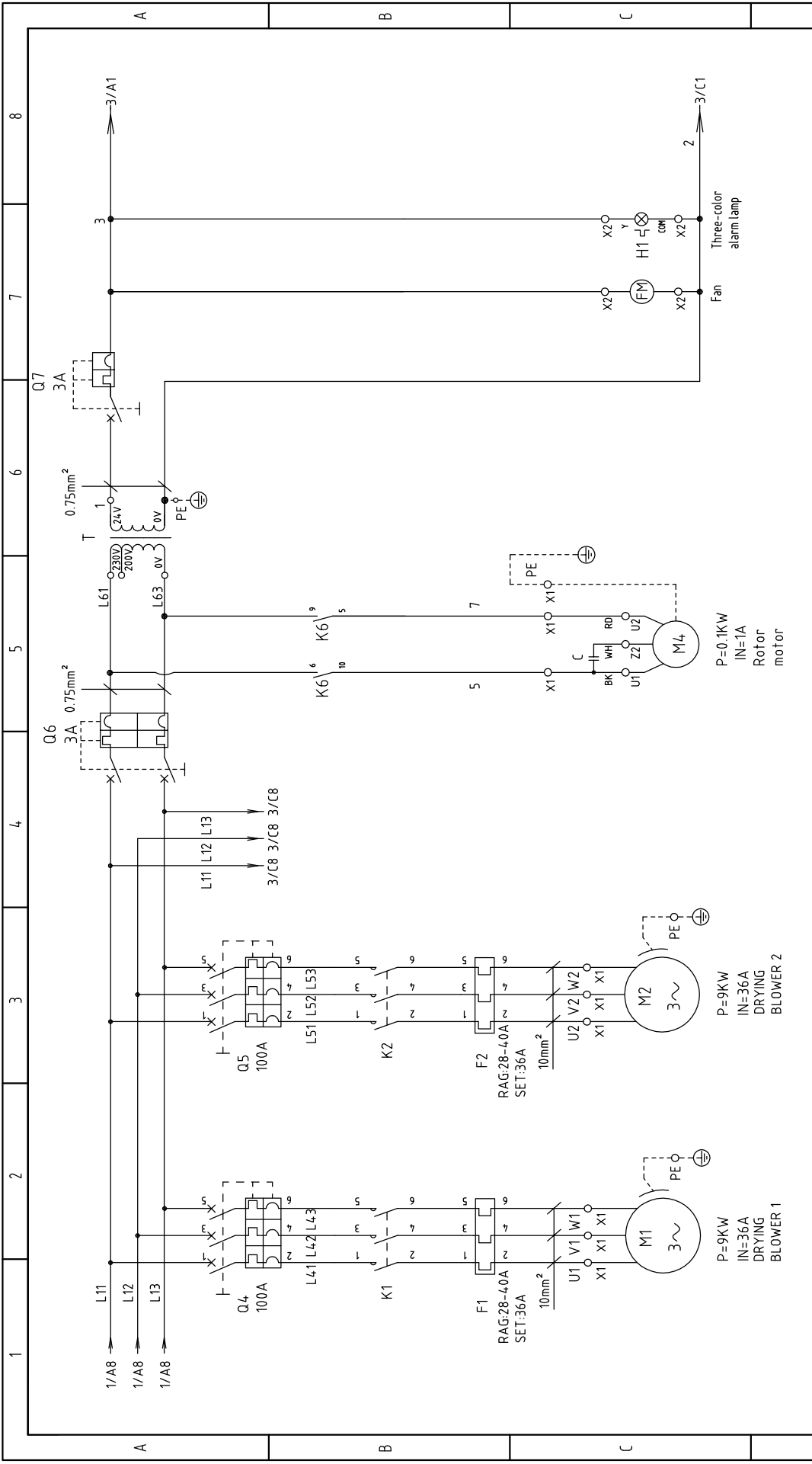
1	2		3	4	5	6	7	8
NO.	Symbol	Name	Manufacturer	Type	Specification	Number	Material number	Remark
26	X1	Terminal board	Honeywell	SK10	10mm ²	3	YE60001003200	
27		Terminal board	Honeywell	GK10 PE	10mm ² PE	1	YE60001003500	
28	A	Terminal board	Honeywell	SK16	16mm ²	3	YE60001603200	
29		Terminal board	Honeywell	GK16PE	16mm ² PE	1	YE60001603500	
30		Terminal board	Honeywell	SK4.0	4.0mm ²	3	YE60000403200	
31		Terminal board	Honeywell	GK4.0 PE	4.0mm ² PE	1	YE60000403500	
32		Terminal board	Honeywell	SK2.5	2.5mm ²	9	YE60002503200	
33		Terminal board	Honeywell	GK2.5 PE	2.5mm ² PE	1	YE60002503400	
34	X2	Terminal board	Honeywell	SK2.5	2.5mm ²	4	YE60002503200	
35		Terminal fittings E/GK series	Honeywell	E	GK	8	YE60000003900	
36	M1	Blower	SHINI	----	13kW 230V	1	----	(1)
37	M2	Blower	SHINI	----	3.75kW 230V	1	----	(1)
38	M3	Rotor motor	----	----	40W 230V 50/60Hz	1	----	(1)
39	EH	Heater	SHINI	----	15kW 230V	1	----	(1)
40	H1	Three-color alarm light/alar	SHINI	Red, yel. blue+ buzzer	PCS	1	BL90242201520	(1)
C								
机型版本 Ver.G								
Notes: (1) Items not in the control box; (2) Optional dew-point transducer;								
Title			Version			H		
SD-1000H			SD-1000H			SD-1000H-CE-230V-H-5		
Elec. Parts List 2			Approved by			CE		
SHINI			Checked by			Voltage		
SHINI			Date			Frequency		
20191112			3φ230V			50HZ		
Scale								
Standard								
Voltage								
Frequency								
Page 5								
Totally 5 Pages								
SHINI 信易電熱機械股份有限公司								
Shini Plastics Technologies, Inc.								
SHINI								
8								



机型版本 Ver.F

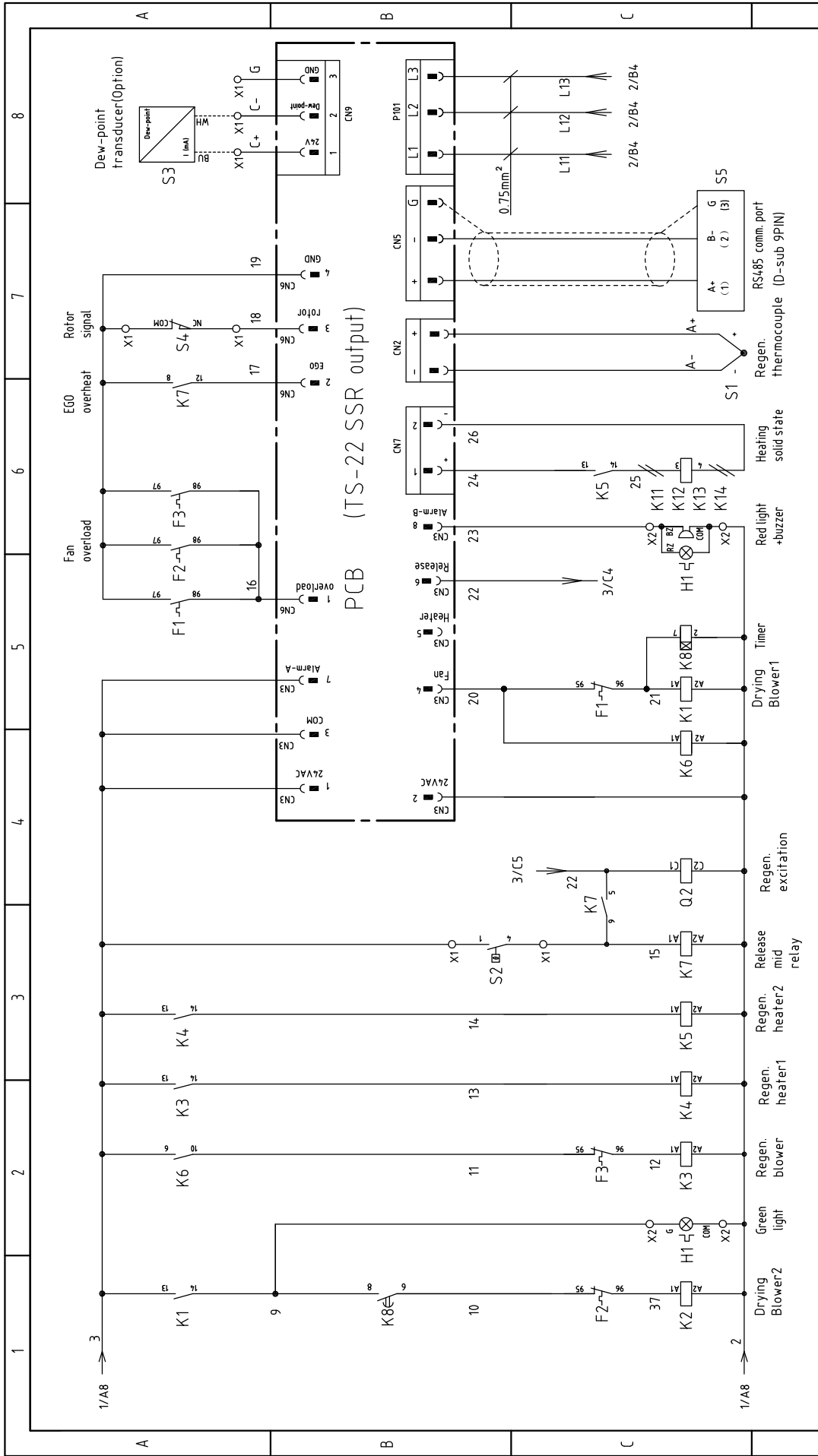
Mark	Before modification	Modified by	20191112	Date	Approved by	Version	C	Title	SD-1500H		Scale	Page
	After modification	Modify date	20191112						1			
Standard	CE		SD-1500H-CE-230V-C-1		Drawing NO.		SD-1500H-CE-230V-C-1		Standard		Page	
	Voltage		3φ230V		Frequency		50HZ		Totally		6	



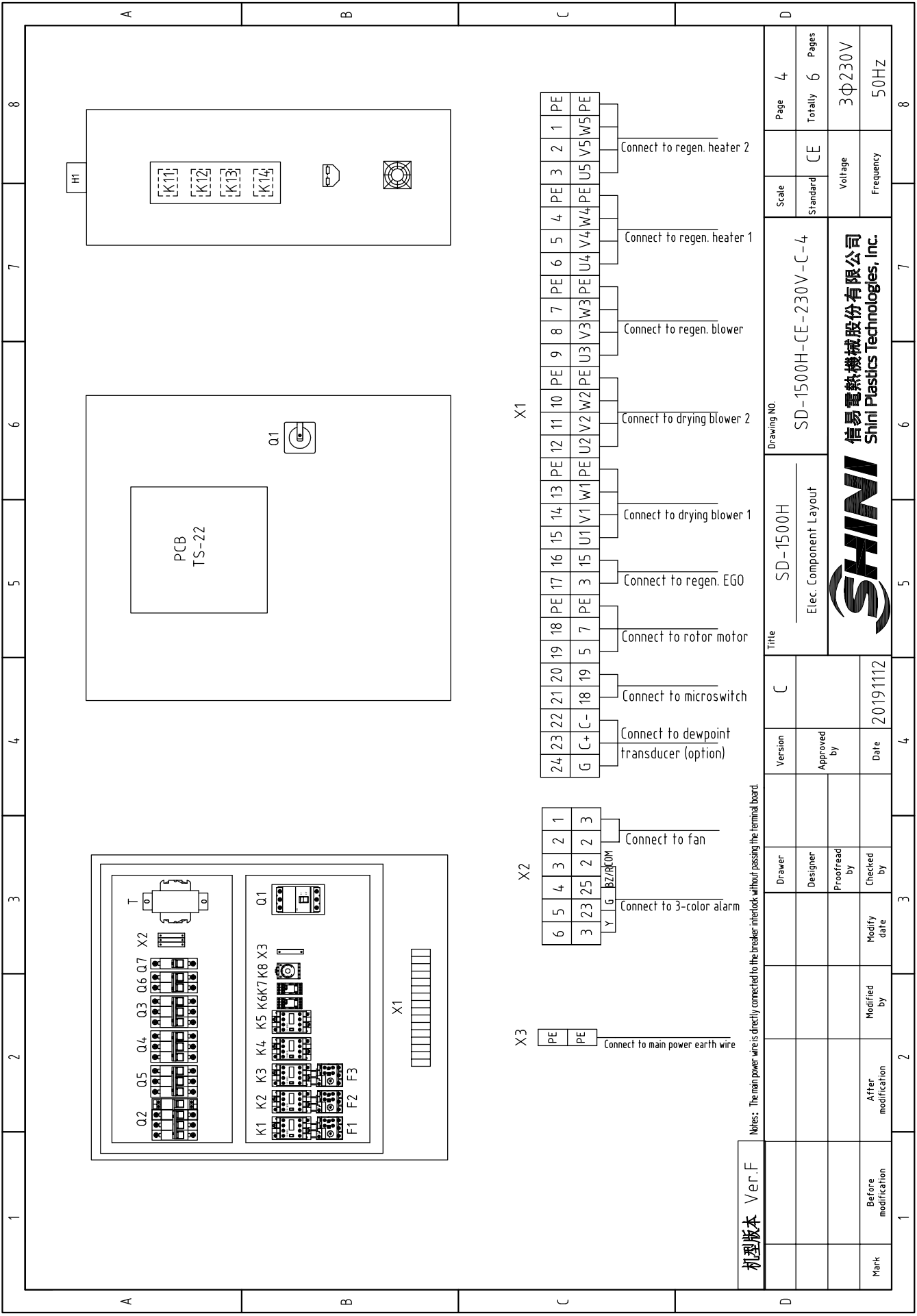


机型版本 Ver.F		Title		Drawing NO.		Scale		Page	
		SD-1500H		SD-1500H-CE-230V-C-2		Standard		Page 2	
		Main Circuit Diagram 2				CE		Totally 6 Pages	
						Voltage		3Φ230V	
						Frequency		50HZ	
Mark		Before modification		Modified by		Modify date		2	
								3	
				Approved by		Date		4	
				Designer		20191112		5	
				Proofread by				6	
				Checked by				7	
								8	





机 型 版 本 Ver.F	Title			Drawing NO.		Page	
	SD-1500H			SD-1500H-CE-230V-C-1		3	
Version			Standard			Pages	
Approved by			CE			6	
Proofread by			Voltage			3Φ230V	
Checked by			Frequency			50HZ	
Date			Control Circuit Diagram			8	
20191112			SHINI			8	
Modified by			信易电热机械股份有限公司			8	
Modify date			Shini Plastics Technologies, Inc.			8	
After modification			Tech. requirement: CN6/CN7/CN9 uses DC voltage circuit which must be blue.			8	
Before modification			SD-1500H			8	

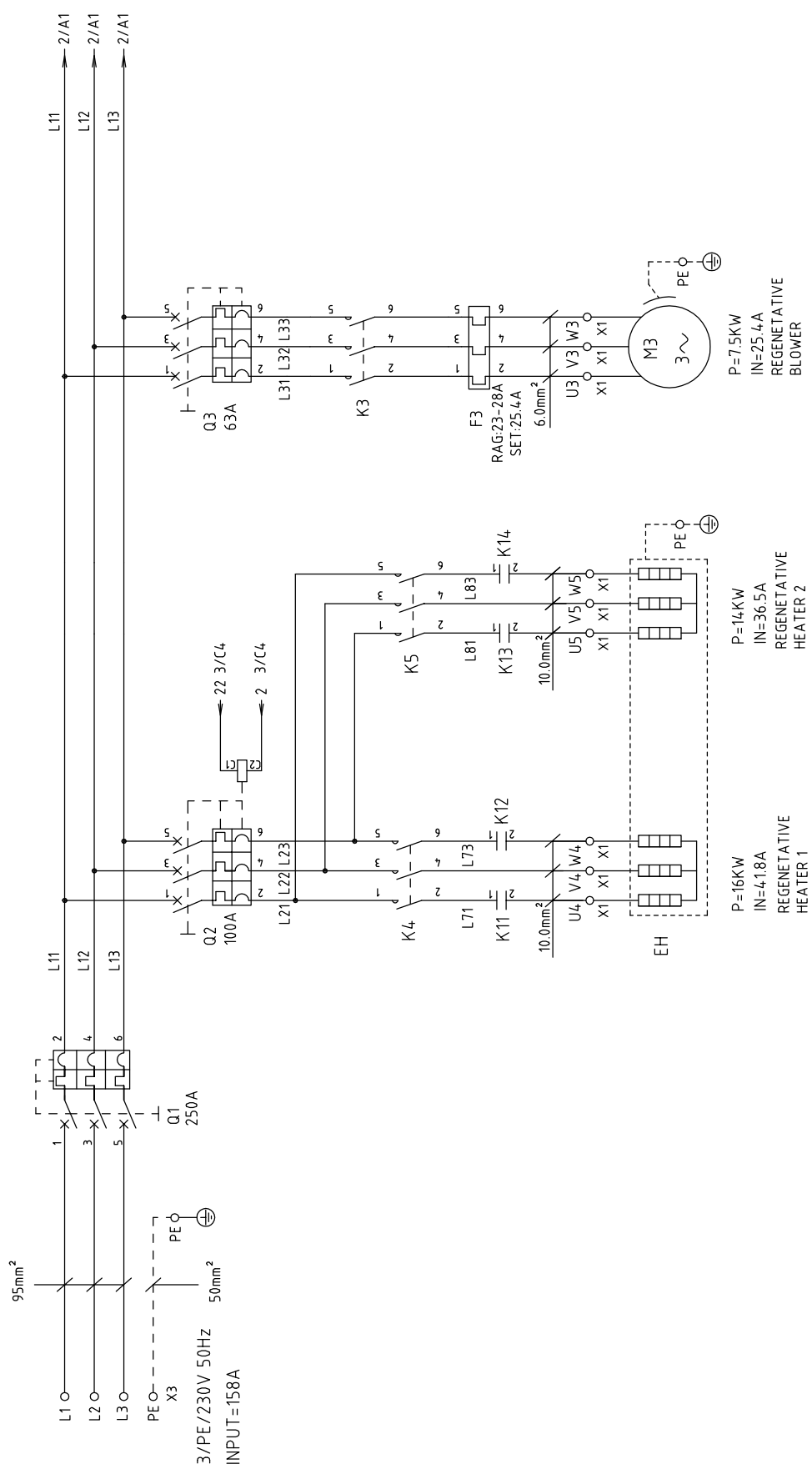


机型版本 Ver.F


Notes: The main power wire is directly connected to the breaker interlock without passing the terminal board.

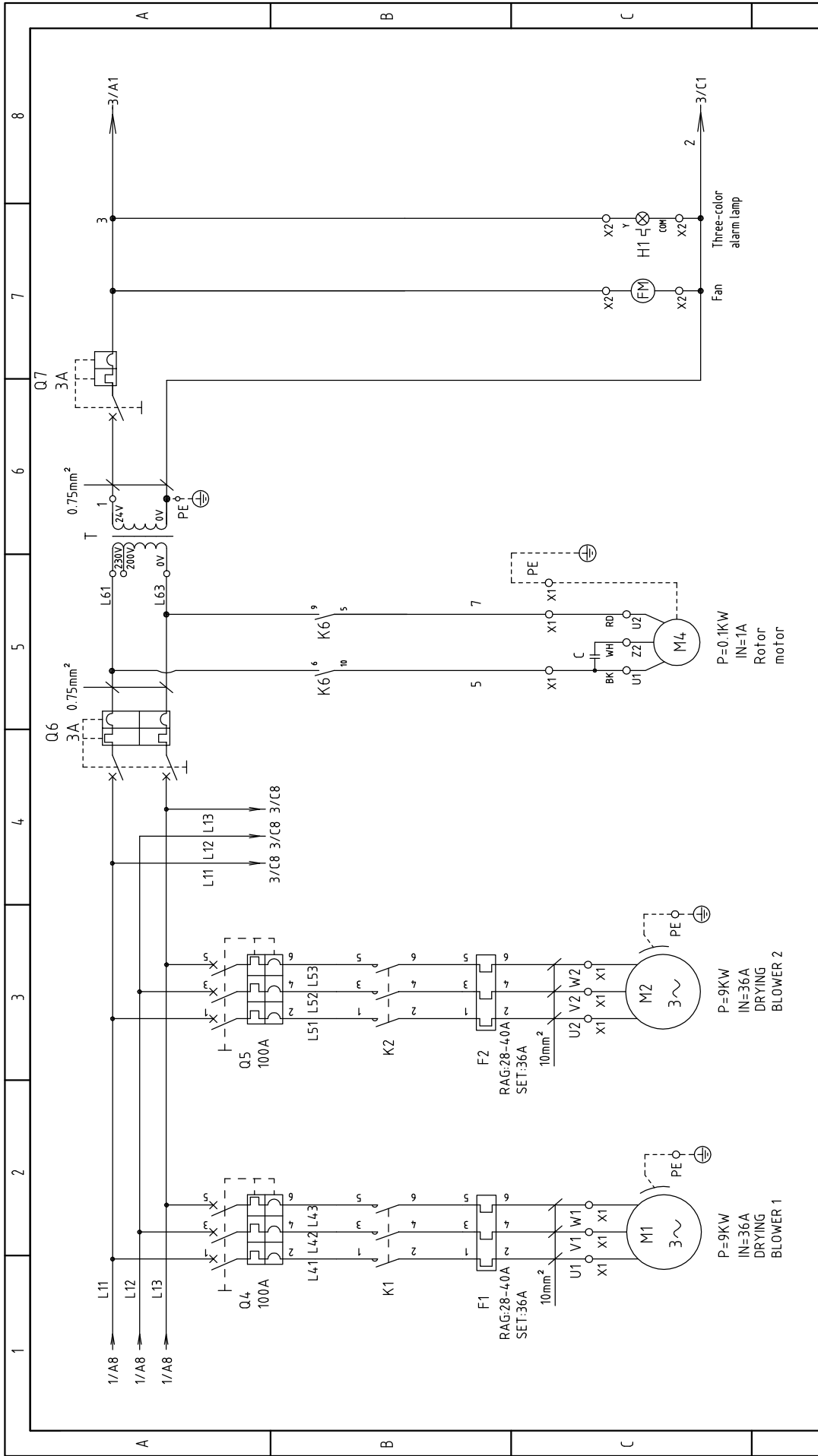
Drawing NO.	SD-1500H		Page	4
	Elec. Component Layout		Standard	CE
Title	SD-1500H		Totally	6
	Elec. Component Layout		Voltage	3Φ230V
Version	C	Frequency	50HZ	
Approved by		SHINI		
Checked by		信易電熱機械股份有限公司		
Modified by		Shini Plastics Technologies, Inc.		
Modify date	20191112			

1		2		3		4		5		6		7		8	
NO.	Symbol	Name	Manufacturer	Type	Specification	Number	Material number	Remark							
1	Q1	Breaker interlock	ABB	A2B250TMF250/25003PFF	250A	1	YE41252800000								
2	Q2 Q4 Q5	Circuit breaker	TECO	BM-100D/3100S	100A	3	YE40310003000								
3	Q3	Circuit breakers	TECO	BM-63C/3063S	63A	1	YE40306303000								
4		Excitation release	YIJIN	MX	24V 50/60Hz	1	YE40024000000								
5	Q6	Circuit breaker	TECO	BM-63C	3A	1	YE40200203000								
6	Q7	Circuit breaker	TECO	BM-63C	3A	1	YE40100203000								
7	K1 K2	AC contactors	SIEMENS	3RT5036-1AC20-24VAC	24VAC 50/60Hz	2	YE00503602600								
8	K4	AC contactors	SIEMENS	3RT5035-1AC20-24VAC	24VAC 50/60Hz	1	YE00503502600								
9	K5	AC contactors	SIEMENS	3RT5034-1AC20-24VAC	24VAC 50/60Hz	1	YE00503400700								
10		Auxiliary contact	SIEMENS	3RH5921-1CA10	PCS	3	YE00592110000								
11	K3	AC contactor	SIEMENS	3RT6027-1AC20-24VAC	32A 24VAC 50/60Hz	1	YE00602702600								
12	K6	Middle relay + base	Honeywell	GR-2C base PGR-4C-E	24V AC	1	YE03042400300								
13	K7	Middle relay + base	Honeywell	GR-2C base PGR-2C-E	24V AC	1	YE03022400300								
14	K8	Middle relay + base/Time relay	YUYUN	TH3A-NAB/60S	24V DC/AC (T&C)	1	YE86602400300								
15	K11-K14	Solid-state relay	FOTEK	KSR-75DA-H	75A/480VAC/4-32VDC	4	YE03757503200								
16	F1 F2	Thermal overload relay	SIEMENS	3RU5136-4GB0	36-45A	2	YE01612660000								
17	F3	Thermal overload relay	SIEMENS	3RU6126-4NB0	23-28A	1	YE01612620000								
18	T	Transformer	JIUXIN	IN=230V/200V OUT=24VAC	350VA	1	YE70023007000								
19	PCB	Microcomputer PCB	YUYUN	TS-22(assembly) SSR output	24V 50/60Hz	1	YE80222408200								
20	S1	Thermocouple	SHINI	-----	K	1	-----	(1)							
21	S2	Overheat protector	EGO	ZA300	250V 300°C	1	-----	(1)							
22	S3	Dew-point transducer	SUTO	217-0EM	POWER-24VDC 4-20mA	1	YE90021700100	(1) (2)							
23	S4	Limit switch	TEND	LXW5-11G1	250V 5(4)A	1	-----	(1)							
24	S5	Comm. interface plate RS-485 (Dsub-9pin connector)	YUYUN	----	PCS	1	YE90048501200								
25		Shell RS-485(SAL-700G-A-19)ver.0	BINCHENG	----	PCS	1	YR40048500000								
机机版本 Ver.F										Notes: (1) Items not in the control box; (2) Optional dew-point transducer;					
			Drawer	Version	Title		Drawing NO.		Scale		Page		5		
			Designer	Approved by	SD-1500H		SD-1500H-CE-230V-C-5		Standard		CE		Totally 6		
			Proofread by	Date	Elec. Parts List 1				Voltage		3Φ230V		Pages		
Mark- Before modification			Checked by	20191112					Frequency		50HZ				
1		2		3		4		5		6		7		8	
								SHINI				信易電熱機械股份有限公司 Shini Plastics Technologies, Inc.			



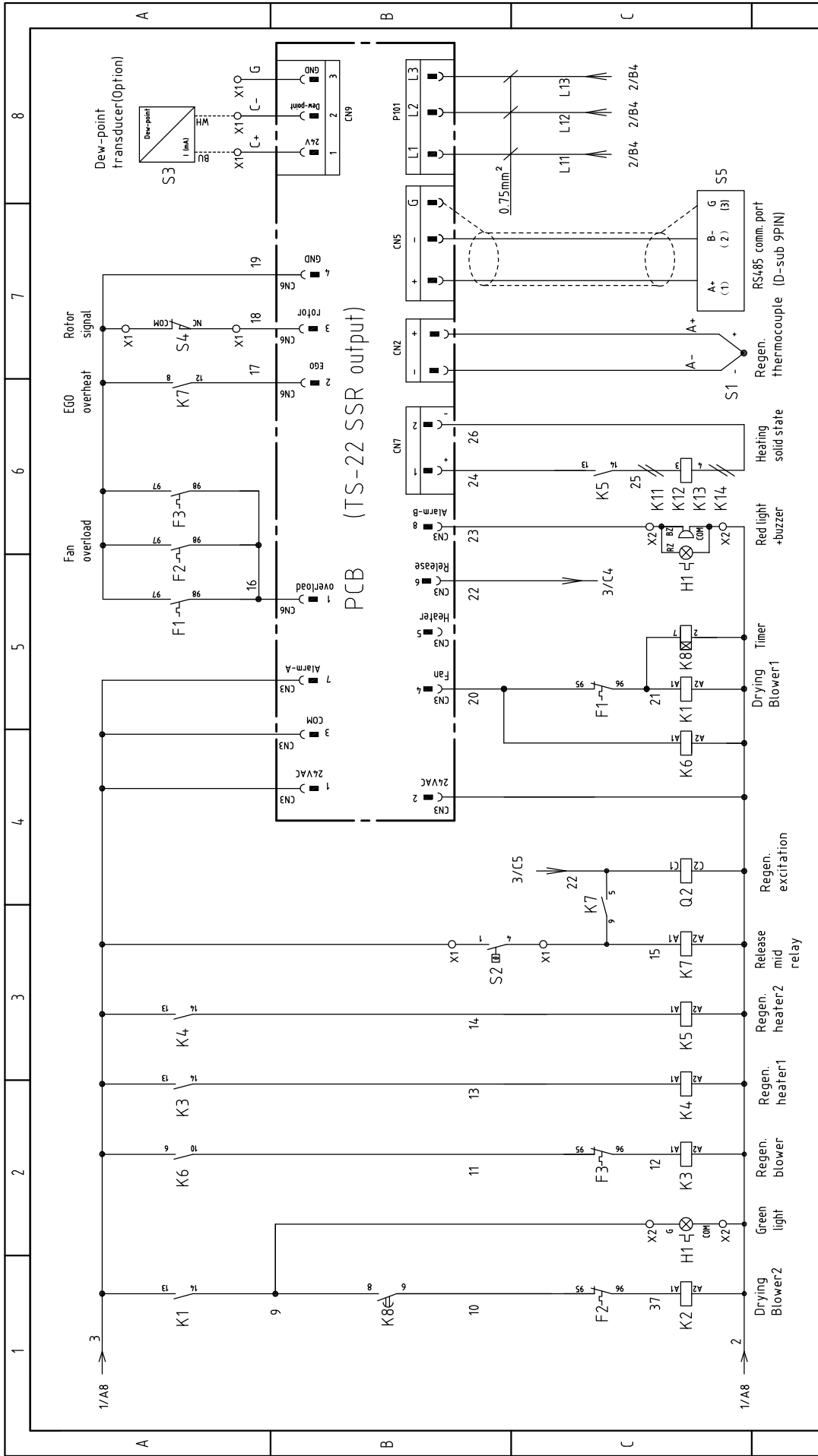
机型版本 Ver.F

D	Drawing NO.	SD-1500H-CE-230V-C-1		Scale	Page 1		
		Main Circuit Diagram 1		Standard	Totally 6 Pages		
Mark	Before modification	Modified by	Date	Voltage	3Φ230V		
				Modify date	Frequency	50HZ	
 信易电热机械股份有限公司 Shini Plastics Technologies, Inc.				CE Voltage Frequency			
1	2	3	4	5	6	7	8



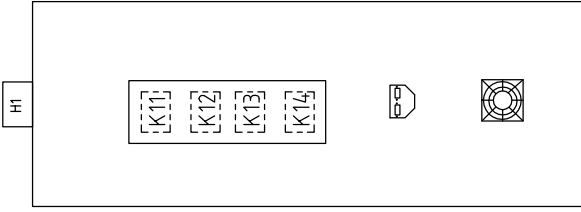
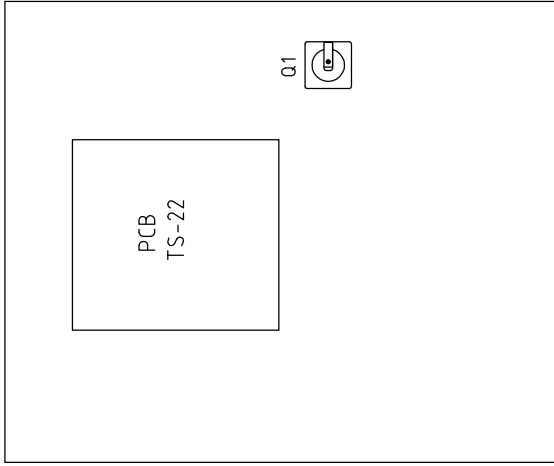
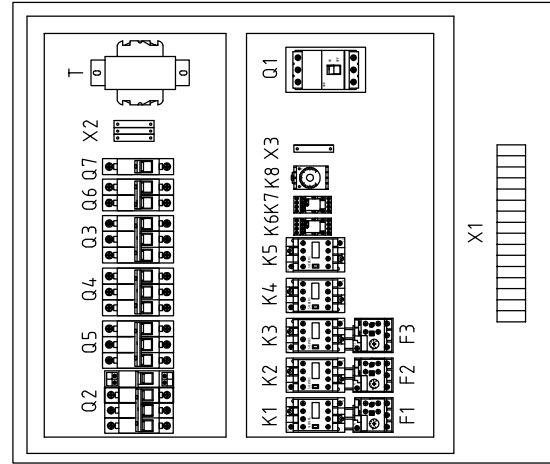
机型版本 Ver.F		Title SD-1500H		Drawing NO. SD-1500H-CE-230V-C-2		Page 2	
		Version C		Main Circuit Diagram 2		Standard CE	
		Designer		Approved by		Voltage 3Φ230V	
		Proofread by		Date 20191112		Frequency 50HZ	
Mark		Before modification		Modified by		Totally 6 Pages	
1		2		3		4	
5		6		7		8	





机 型 版 本 Ver.F	Tech. requirement: CN6/CN7/CN9 uses DC voltage circuit which must be blue.			Drawing NO.		Page 3	
	Title SD-1500H Control Circuit Diagram			SD-1500H-CE-230V-C-1		Standard CE	
Mark	Before modification	Modified by	Date	20191112	Voltage 3Φ230V		Pages Totally 6
					Frequency 50HZ		
1	2	3	4	5	6	7	8





X3 PE PE Connect to main power earth wire

X2 Y G BZ/COM Connect to 3-color alarm
6 5 4 3 2 1
3 23 25 2 2 3

X1 24 23 22 21 20 19 18 PE 17 16 15 14 13 PE 12 11 10 PE 9 8 7 PE 6 5 4 PE 3 2 1 PE
G C+ C- 18 19 5 7 PE 3 15 U1 V1 W1 PE U2 V2 W2 PE U3 V3 W3 PE U4 V4 W4 PE U5 V5 W5 PE
Connect to dewpoint transducer (option)
Connect to microswitch
Connect to rotor motor
Connect to regen. EGO
Connect to drying blower 1
Connect to drying blower 2
Connect to regen. blower
Connect to regen. heater 1
Connect to regen. heater 2

机型版本 Ver.F

Notes: The main power wire is directly connected to the breaker interlock, without passing the terminal board

Mark	Before modification	After modification	Modified by	Modify date	Checked by	Proofread by	Designer	Drawer	Version	C	Title	SD-1500H Elec. Component Layout	SD-1500H-CE-230V-C-4	Scale	CE	Page	4
Approved by														Standard		Totally	6
Date	20191112													Frequency		Voltage	3Φ230V
																Frequency	50HZ

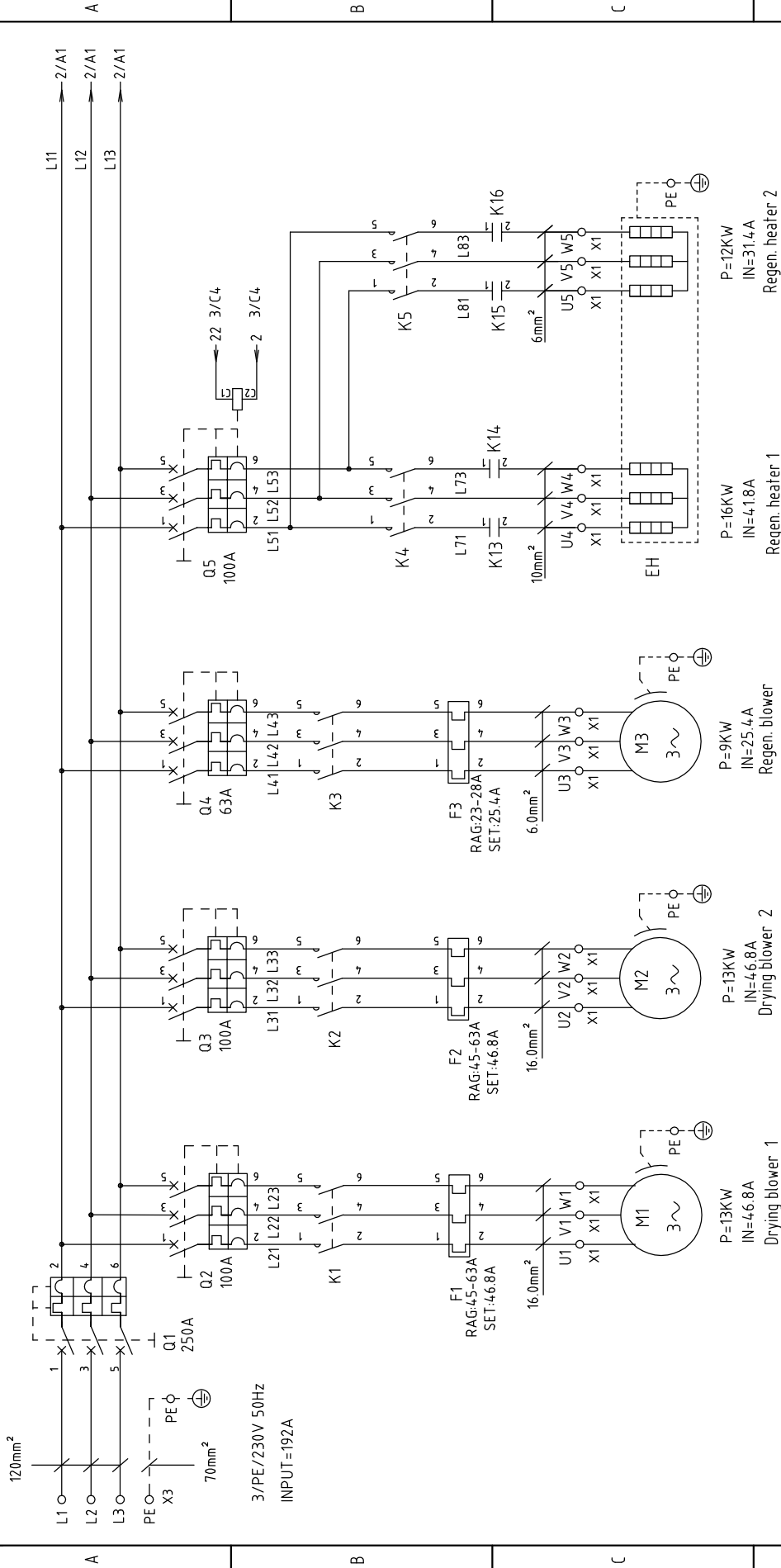


信易電熱機械股份有限公司
Shini Plastics Technologies, Inc.

1	2		3	4	5	6	7	8
N0.	Symbol	Name	Manufacturer	Type	Specification	Number	Material number	Remark
1	Q1	Breaker interlock	ABB	A2B250TMF250/25003PFF	250A	1	YE41252800000	
2	Q2 Q4 Q5	Circuit breaker	TECO	BM-100D/3100S	100A	3	YE40310003000	
3	Q3	Circuit breakers	TECO	BM-63C/3063S	63A	1	YE40306303000	A
4		Excitation release	YIJIN	MX	24V 50/60Hz	1	YE40024000000	
5	Q6	Circuit breaker	TECO	BM-63C	3A	1	YE40200203000	
6	Q7	Circuit breaker	TECO	BM-63C	3A	1	YE40100203000	
7	K1 K2	AC contactors	SIEMENS	3RT5036-1AC20-24VAC	24VAC 50/60Hz	2	YE00503602600	
8	K4	AC contactors	SIEMENS	3RT5035-1AC20-24VAC	24VAC 50/60Hz	1	YE00503502600	
9	K5	AC contactors	SIEMENS	3RT5034-1AC20-24VAC	24VAC 50/60Hz	1	YE00503400700	
10		Auxiliary contact	SIEMENS	3RH5921-1CA10	PCS	3	YE00592110000	
11	K3	AC contactor	SIEMENS	3RT6027-1AC20-24VAC	32A 24VAC 50/60Hz	1	YE00602702600	B
12	K6	Middle relay + base	Honeywell	GR-2C base PGR-4C-E	24V AC	1	YE03042400300	
13	K7	Middle relay + base	Honeywell	GR-2C base PGR-2C-E	24V AC	1	YE03022400300	
14	K8	Middle relay + base/Time relay	YUYUN	TH3A-NA8/60S	24V DC/AC (T&C)	1	YE86602400300	
15	K11-K14	Solid-state relay	FOTEK	KSR-75DA-H	75A/480VAC/4-32VDC	4	YE03757503200	
16	F1 F2	Thermal overload relay	SIEMENS	3RU5136-4GB0	36-45A	2	YE01612660000	
17	F3	Thermal overload relay	SIEMENS	3RU6126-4NB0	23-28A	1	YE01612620000	
18	T	Transformer	JIUXIN	IN=230V/200V OUT=24VAC	350VA	1	YE70023007000	C
19	PCB	Microcomputer PCB	YUYUN	TS-22(assembly) SSR output	24V 50/60Hz	1	YE80222408200	
20	S1	Thermocouple	SHINI	-----	K	1	-----	(1)
21	S2	Overheat protector	EGO	ZA300	250V 300°C	1	-----	(1)
22	S3	Dew-point transducer	SUTO	217-0EM	POWER-24VDC 4-20mA	1	YE90021700100	(1) (2)
23	S4	Limit switch	TEND	LXW5-11G1	250V 5(4)A	1	-----	(1)
24	S5	Comm. interface plate RS-485 (Dsub-9pin connector)	YUYUN	----	PCS	1	YE90048501200	
25		Shell RS-485(SAL-700G-A-19)ver.0	BINCHEG	----	PCS	1	YR40048500000	
机型版本		Ver.F	Notes: (1) Items not in the control box; (2) Optional dew-point transducer;		Drawing NO. (1)			
			Version	C	Title		Scale	
			Designer		SD-1500H		Standard	Page 5
			Proofread by	Approved by	Elec. Parts List 1		CE	Totally 6 Pages
			Checked by	Date	SD-1500H-CE-230V-C-5		Voltage	3Φ230V
Mark			After modification	Modify date			Frequency	50HZ
1	2	3	4	5	6	7	8	



信易电热机械股份有限公司
Shini Plastics Technologies, Inc.

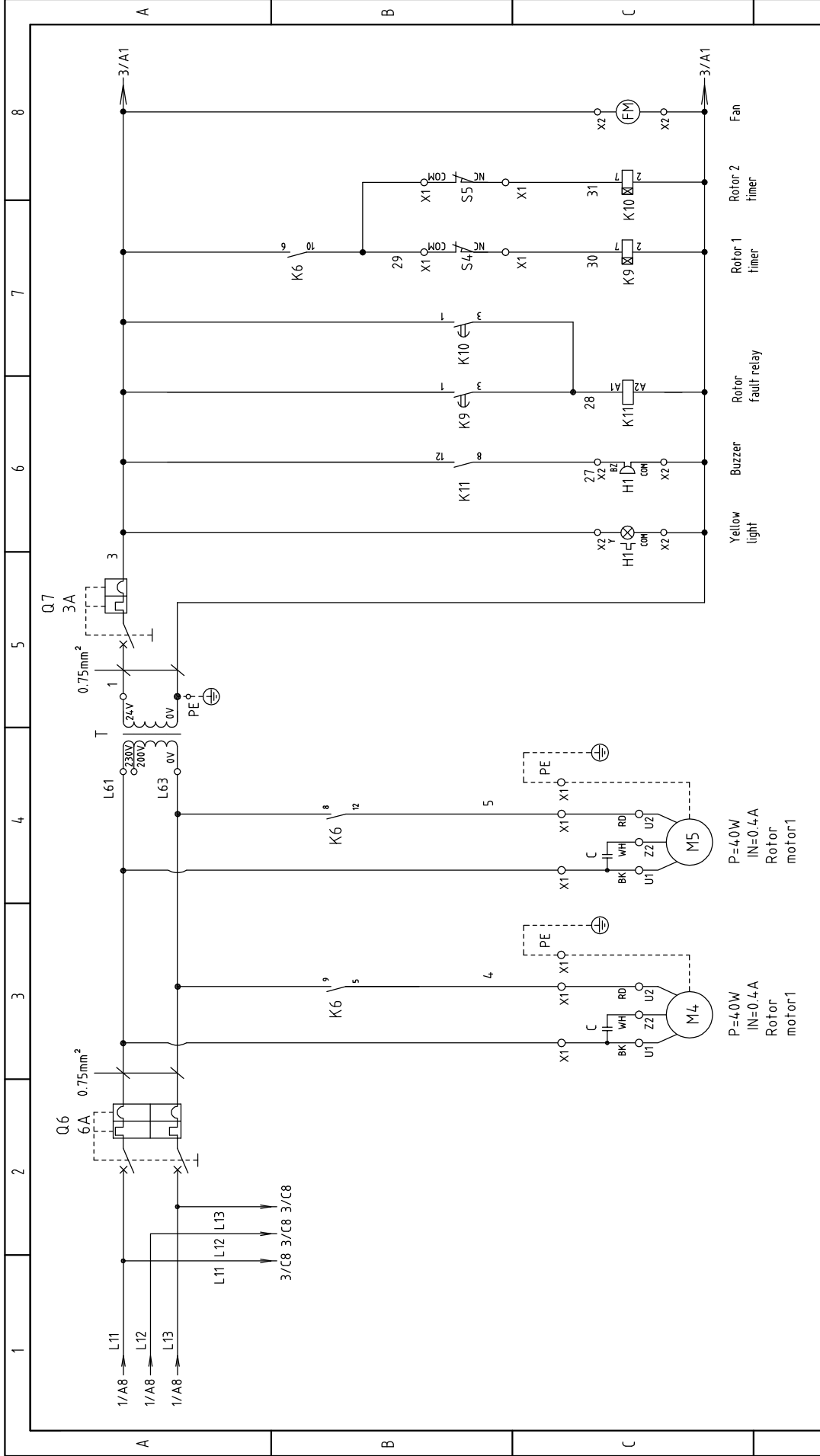


机版本	Ver.G
Mark	Before modification
	After modification
	Modify date
	Checked by
	Proofread by
	Designer
	Drawer
	Version
	Approved by
	Date
	20191112

Title		SD-2000H	
Drawing NO.		SD-2000H-CE-230V-A-1	
Main Circuit Diagram 1			
A			

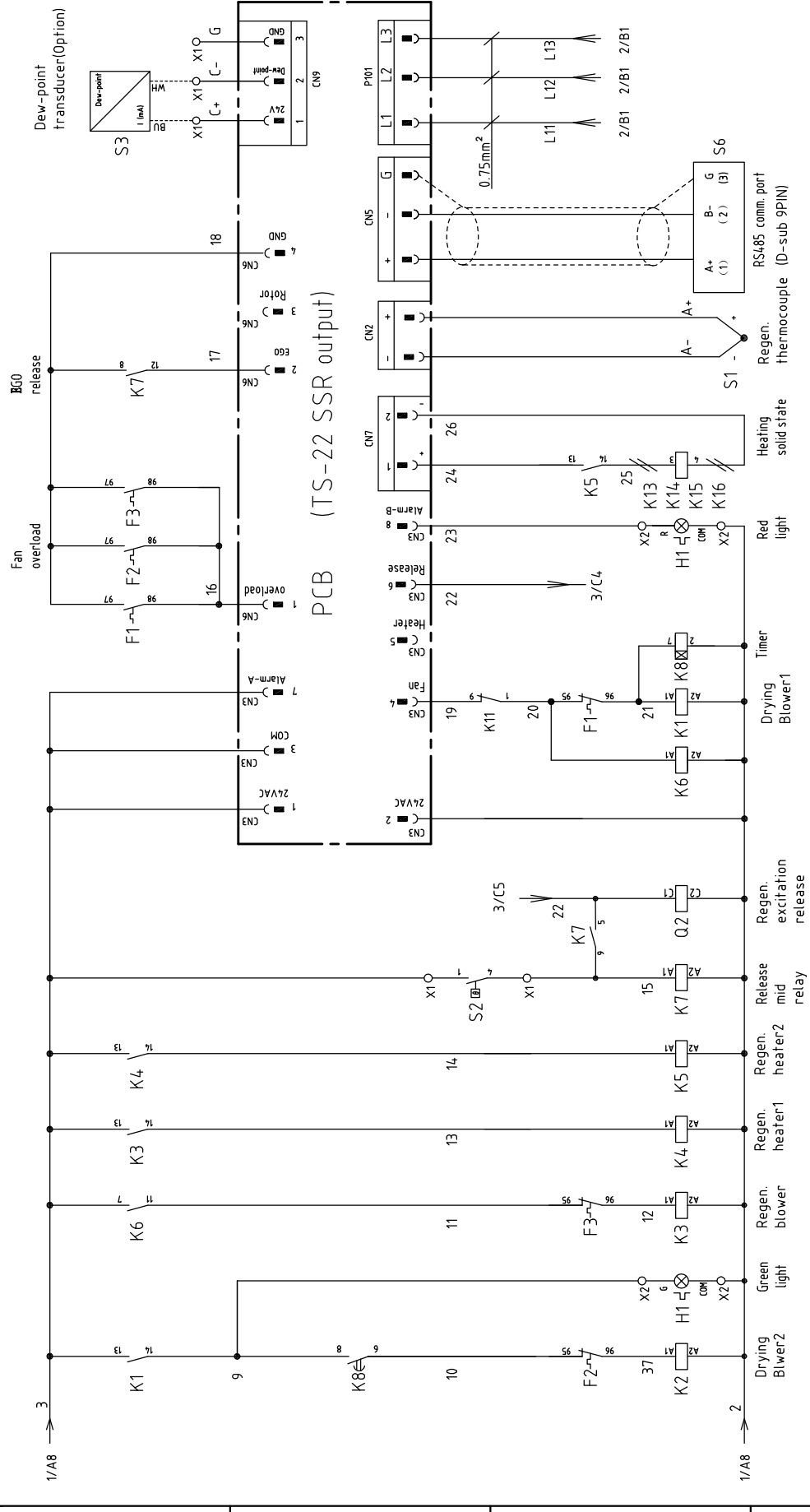
Scale	Standard	CE	Page 1
Voltage	3Φ230V	Totally 6	Pages
Frequency	50HZ		





机型版本 Ver.G

Title		Drawing NO.		Scale	Page	2
SD-2000H		SD-2000H-CE-230V-A-2		Standard	Totally	6
Main Circuit Diagram 2				Voltage	3Φ230V	
				Frequency	50HZ	
Version		Approved by		SHINI 信易电热机械股份有限公司 Shini Plastics Technologies, Inc.		
A				8		
M4		M5		7		
P=40W IN=0.4A Rotor motor1		P=40W IN=0.4A Rotor motor1		6		
M4		M5		5		
P=40W IN=0.4A Rotor motor1		P=40W IN=0.4A Rotor motor1		4		
M4		M5		3		
P=40W IN=0.4A Rotor motor1		P=40W IN=0.4A Rotor motor1		2		
M4		M5		1		
P=40W IN=0.4A Rotor motor1		P=40W IN=0.4A Rotor motor1		8		
M4		M5		7		
P=40W IN=0.4A Rotor motor1		P=40W IN=0.4A Rotor motor1		6		
M4		M5		5		
P=40W IN=0.4A Rotor motor1		P=40W IN=0.4A Rotor motor1		4		
M4		M5		3		
P=40W IN=0.4A Rotor motor1		P=40W IN=0.4A Rotor motor1		2		
M4		M5		1		
P=40W IN=0.4A Rotor motor1		P=40W IN=0.4A Rotor motor1		8		
M4		M5		7		
P=40W IN=0.4A Rotor motor1		P=40W IN=0.4A Rotor motor1		6		
M4		M5		5		
P=40W IN=0.4A Rotor motor1		P=40W IN=0.4A Rotor motor1		4		
M4		M5		3		
P=40W IN=0.4A Rotor motor1		P=40W IN=0.4A Rotor motor1		2		
M4		M5		1		
P=40W IN=0.4A Rotor motor1		P=40W IN=0.4A Rotor motor1		8		
M4		M5		7		
P=40W IN=0.4A Rotor motor1		P=40W IN=0.4A Rotor motor1		6		
M4		M5		5		
P=40W IN=0.4A Rotor motor1		P=40W IN=0.4A Rotor motor1		4		
M4		M5		3		
P=40W IN=0.4A Rotor motor1		P=40W IN=0.4A Rotor motor1		2		
M4		M5		1		
P=40W IN=0.4A Rotor motor1		P=40W IN=0.4A Rotor motor1		8		
M4		M5		7		
P=40W IN=0.4A Rotor motor1		P=40W IN=0.4A Rotor motor1		6		
M4		M5		5		
P=40W IN=0.4A Rotor motor1		P=40W IN=0.4A Rotor motor1		4		
M4		M5		3		
P=40W IN=0.4A Rotor motor1		P=40W IN=0.4A Rotor motor1		2		
M4		M5		1		



机型版本	Ver.G
Mark	Before modification
Modified by	
Modify date	
Checked by	
Proofread by	
Designer	
Drawer	

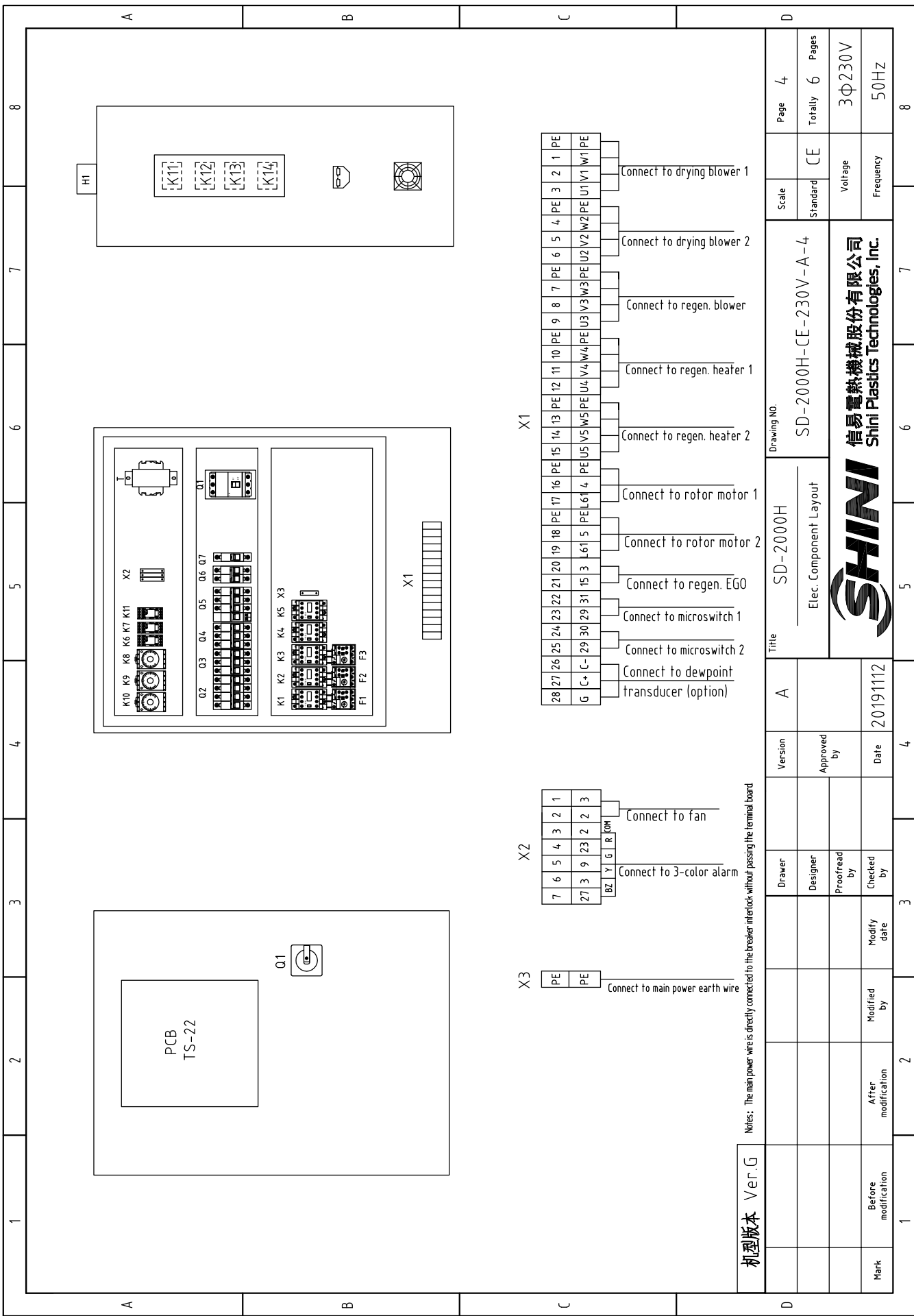
Version	A
Approved by	
Date	20191112
Modified by	
Modify date	
Checked by	
Proofread by	
Designer	
Drawer	

Title		SD-2000H	
Drawing NO.		SD-2000H-CE-230V-A-3	
Scale		CE	
Page	3	Totally	6 Pages
Mark	Before modification	Voltage	3Φ230V
	After modification	Frequency	50HZ

Tech. requirement: CN6/CN7/CN9 uses DC voltage circuit which must be blue.



信易电热机械股份有限公司
Shini Plastics Technologies, Inc.



Notes: The main power wire is directly connected to the breaker in the rack without passing the terminal board

机型版本	Ver.G
Mark	Before modification
Modified by	Modify date
Checked by	20191112
Proofread by	
Designer	Approved by
Drawer	Version

Scale	Standard	CE
	Voltage	3Φ230V
Page	Totally	6
	Pages	50Hz

Drawing NO.	SD-2000H
Title	SD-2000H Elec. Component Layout
Version	A
Approved by	
Date	20191112



信易塑料机械股份有限公司
Shini Plastics Technologies, Inc.

SD-2000H-CE-230V-A-4	Page	4
	Totally	6
	Pages	3Φ230V
	Voltage	50Hz
	Frequency	

1	2		3	4	5	6	7	8		
NO.	Symbol	Name	Manufacturer	Type	Specification	Number	Material number	Remark		
									Version	Approved by
1	Q1	Breaker interlock	ABB	A2B250TMF250	25003PFF	1	YE41252800000			
2	Q2 Q3 Q5	Circuit breaker	TECO	BM-100D/3100S	100A	3	YE40310003000			
3		Excitation release	YIJIN	MX	24VAC 50/60Hz	1	YE40024000000	A		
4	Q4	Circuit breakers	TECO	BM-63C	63A	1	YE40306303000			
5	Q6	Circuit breakers	TECO	BM-63C	6A	1	YE40100600100			
6	Q7	Circuit breakers	TECO	BM-63C	3A	1	YE40100203000			
7	K1 K2	Contactors	SIEMENS	3RT5044-1AC20-24VAC	24VAC 50/60Hz	2	YE00504402600			
8		Auxiliary contact	SIEMENS	3RH5921-1CA10	PCS	3	YE00592110000			
9	K3	Contactors	SIEMENS	3RT6028-1AC20-24VAC	24VAC 50/60Hz	1	YE00602802600			
10	K4 K5	Contactors	SIEMENS	3RT5035-1AC20-24VAC	24VAC 50/60Hz	2	YE00503502600			
11	K6	Middle relay	Honeywell	GR-4C base PGR-4C-E	AC24V	1	YE03042400300	B		
12	K7 K11	Middle relay	Honeywell	GR-2C base PGR-2C-E	24V AC	2	YE03022400300			
13	K8	Time relay	YUYUN	TH3A-NAB/60S	24V DC/AC (T&C)	1	YE86602400300			
14	K9 K10	Timer	YUYUN	TH3A-NAB(3S~60M)	24V 50/60Hz	2	YE86123000000			
15	K13-K16	Solid-state relay	FOTEK	KSR-75DA-H	75A/480VAC/4~32VDC	4	YE03757503200			
16	F1 F2	Thermal overload relay	SIEMENS	3RU5146-4JB0	45~63A	2	YE01514640000			
17	F3	Thermal overload relay	SIEMENS	3RU6126-4AB0	23~28A	1	YE01612620000			
18	T	Transformer	JIUXIN	IN=230V/200V OUT=24VAC	350VA	1	YE70023007000			
19	PCB	Microcomputer PCB	YUYUN	TS-22(assembly) SSR output	24V 50/60Hz	1	YE80222408200	C		
20	S1	Dew-point transducer	SUTO	217-0EM	POWER=24VDC OUT=4~20mA	1	YE90021700100	(1)(2)		
21	S2	Thermocouple	SHINI	----	K	1	----	(1)		
22	S3	Overheat protector	TONGBAO	----	----	1	----	(1)		
23	S4 S5	Limit switch	JUCHE	SM1709-A	10A 250V	2	----	(1)		
24	S6	Comm interface plate RS-485 (0sub-9pin connector)	YUYUN	----	PCS	1	YE90048501200			
25		Shell RS-485(SAL-700G-A-19)ver.0	BINCHENG	----	PCS	1	YR40048500000			
机型版本 Ver.G										
Notes: (1) Items not in the control box; (2) Optional dew-point transducer;										
Title				SD-2000H		Drawing NO.				
Version				A		SD-2000H-CE-230V-A-5				
Approved by						Elec. Parts List 1				
Date				20191112		Scale				
Checked by						Standard				
Modify date						CE				
After modification						Voltage				
Modified by						Frequency				
Mark						3Φ230V				
						50Hz				
1				2		3		4		
5				6		7		8		
Page 5				Page 5		Page 5				
Totally 6				Totally 6		Pages				



1	2		3	4	5	6	7	8
NO.	Symbol	Name	Manufacturer	Type	Specification	Number	Material number	Remark
	X1	Terminal board	Honeywell	SK16.0	16.0mm ²	6	YE60001603200	
	27	Terminal board	Honeywell	GK16.0PE	16.0mm ² PE	2	YE60001603500	
	28	Terminal board	Honeywell	SK10.0	10.0mm ²	3	YE60001003200	
	29	Terminal board	Honeywell	GK10.0 PE	10.0mm ² PE	1	YE60001003500	
	30	Terminal board	Honeywell	SK6.0	6.0mm ²	6	YE60000603200	
	31	Terminal board	Honeywell	GK6.0 PE	6.0mm ² PE	2	YE60000603500	
	32	Terminal board	Honeywell	SK2.5	2.5mm ²	13	YE61250040000	
	33	Terminal board	Honeywell	GK2.5 PE	2.5mm ² PE	2	YE61253500000	
	34	Terminal board	Honeywell	SK2.5	2.5mm ²	5	YE61250040000	
	35	Terminal board	Honeywell	TB 70 PE I	70mm ² PE	1	YE61070000000	
	36	Terminal fittings E/GK series	Honeywell	E	GK	6	YE60000003900	
	37	Blower	SHINI	----	15KW 230V 50Hz	2	----	(1)
	38	Blower	SHINI	----	9KW 230V 50Hz	1	----	(1)
	39	Rotor motor	----	----	230V 50/60Hz	2	----	(1)
	40	Heater	SHINI	----	28KW 230V 50Hz	1	----	(1)
	41	Fan	SUNON	----	----	1	----	(1)
	42	Three-color alarm light/alarm	SHINI	Red, yel, blue+ buzzer	PCS	1	BL90242201520	(1)
C								
D								
机型号 Ver.G Notes: (1) Items not in the control box; (2) Optional dew-point transducer;								
		Title	Version	A	SD-2000H	Drawing NO.	Scale	Page
		Designer	Approved by		Elec. Parts List 2	SD-2000H-CE-230V-A-6	Standard	Totally
		Proofread by	Checked by	Date	20191112	Voltage	Frequency	Pages
Mark		Before modification	Modified by	Modify date		3Φ230V	50HZ	6
1	2	3	4	5	6	7	8	

