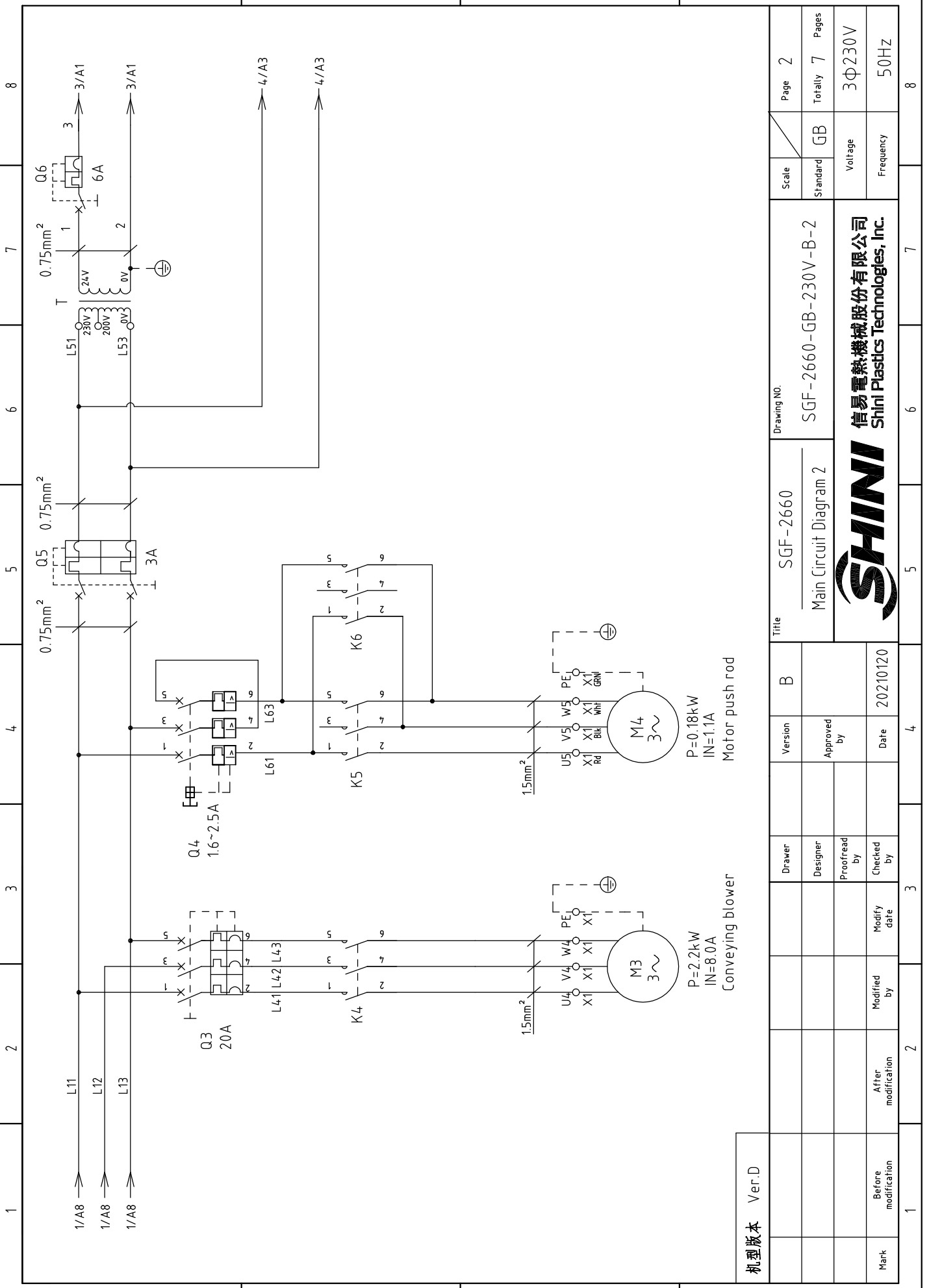


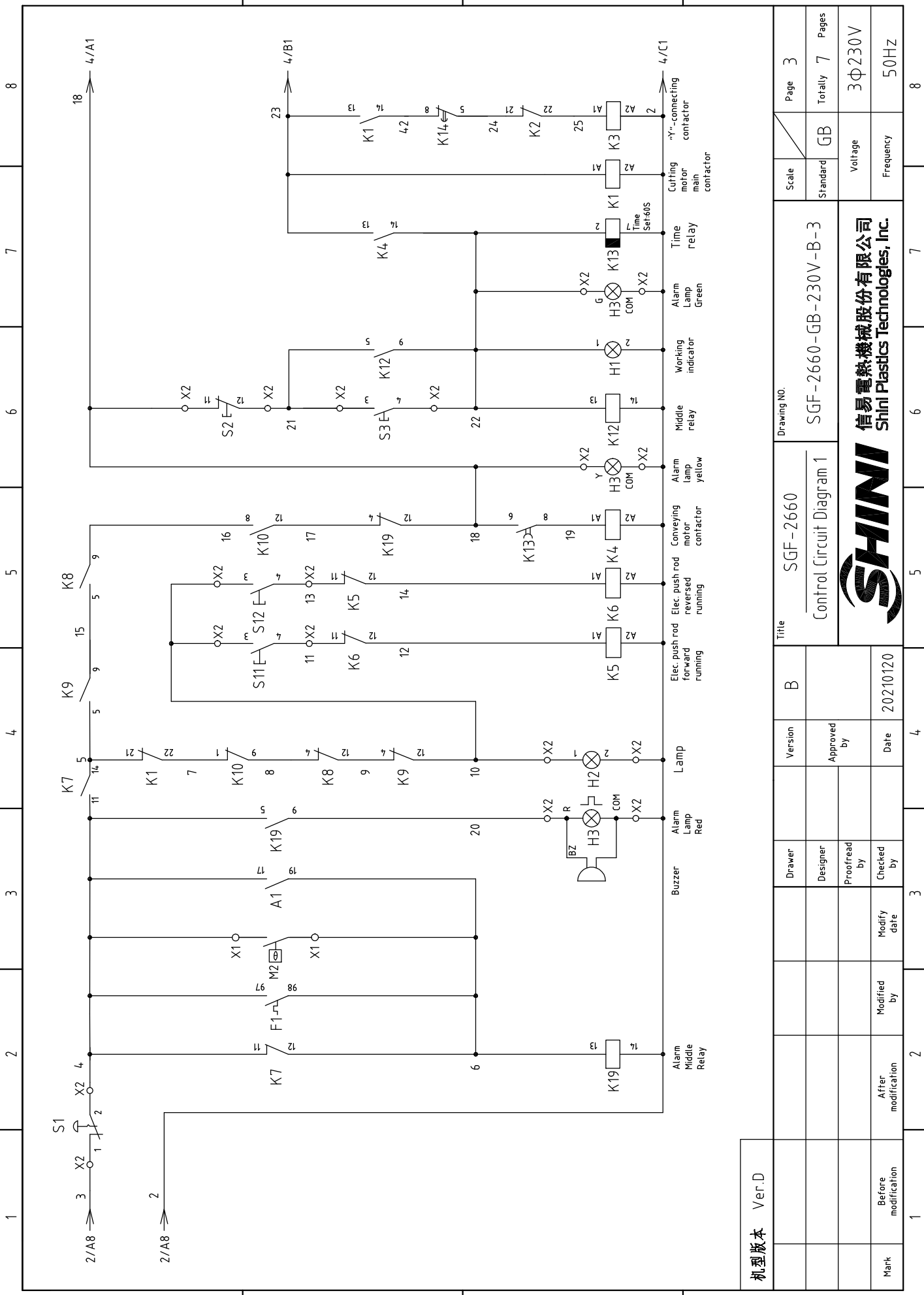
机型版本 Ver.D

Mark	Before modification	After modification	Modified by	Modify date	Checked by	Date	20210120	Approved by	Version	B	Title	Drawing No.		Scale	Page 1
	SGF-2660											SGF-2660-GB-230V-B-1			
GB	Main Circuit Diagram 1											Standard	Totally 7		
	信易电热机械股份有限公司 Shini Plastics Technologies, Inc.											Voltage	3Φ230V		
											Frequency	50Hz			



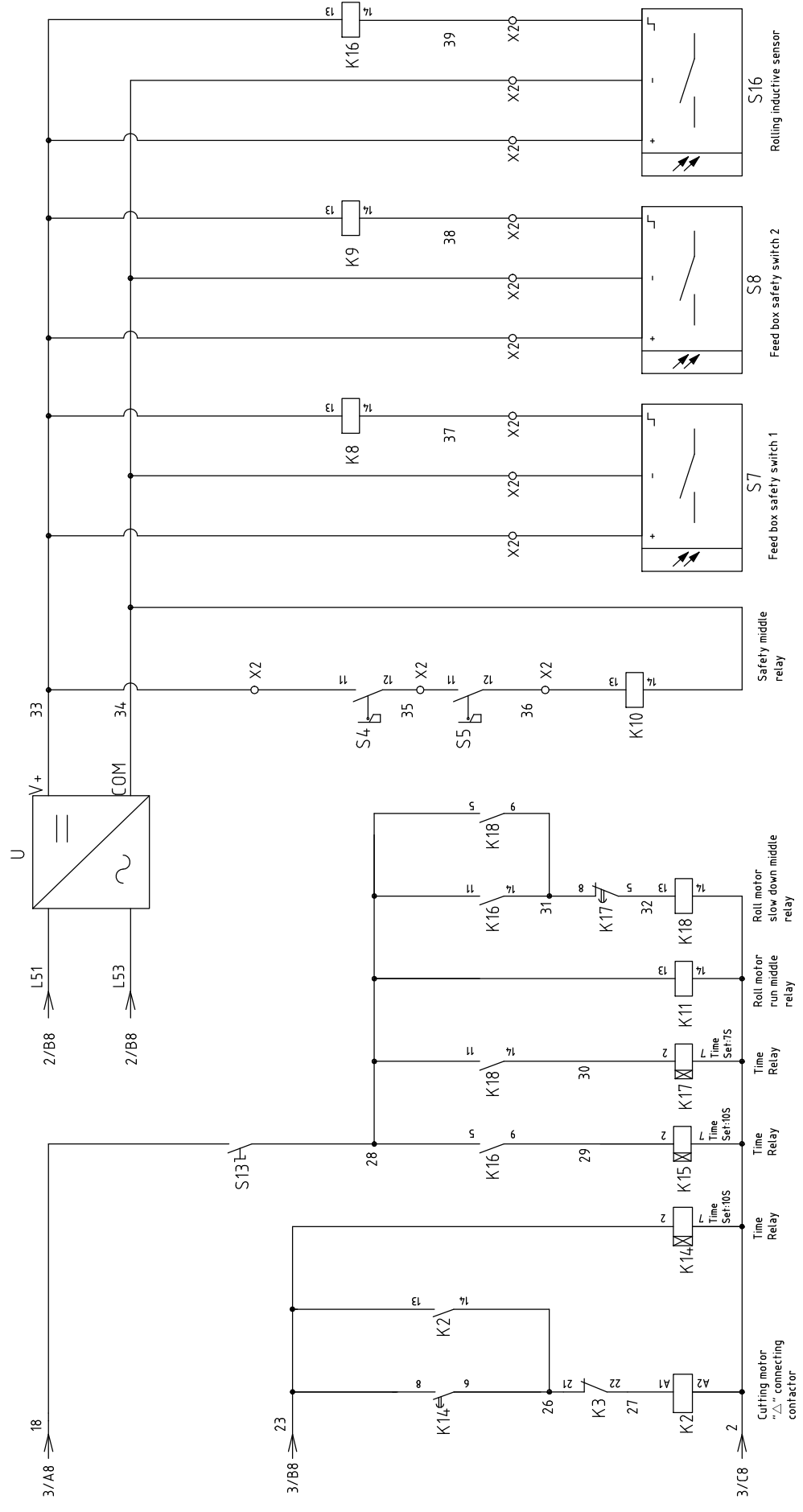
机 型 版 本	Ver.D	Title	SGF-2660				Drawing NO.	SGF-2660-GB-230V-B-2				Scale	Page 2	
			Main Circuit Diagram 2					Standard GB		Totally 7 Pages			Voltage 3Φ230V	
Mark	Before modification	Drawer	Designer	Proofread by	Checked by	Modified by	Modify date	Version	Approved by	Date	Frequency 50Hz		8	
								B		20210120			7	
													6	
													5	
													4	
													3	
													2	
													1	





机型版本	Ver.D
Mark	Before modification
After modification	
Modified by	
Modify date	
Checked by	
Proofread by	
Designer	
Drawer	
Version	B
Title	
SGF-2660	
Control Circuit Diagram 1	
Drawing NO.	
SGF-2660-GB-230V-B-3	
Scale	Standard
Standard	GB
Page	3
Totally	7
Pages	
Voltage	3φ230V
Frequency	50Hz





机型版本 Ver.D

Mark	Before modification	Modified by	Modify date	Checked by	Date	Approved by	Version	B	Title	Drawing NO.		Page
	After modification									Before modification	Standard	
									SGF-2660	SGF-2660-GB-230V-B-4	GB	4
					20210120				Control Circuit Diagram 2			7
												3
												4
												5
												6
												7
												8

**SHINI**  
 信易电热机械股份有限公司  
 Shini Plastics Technologies, Inc.

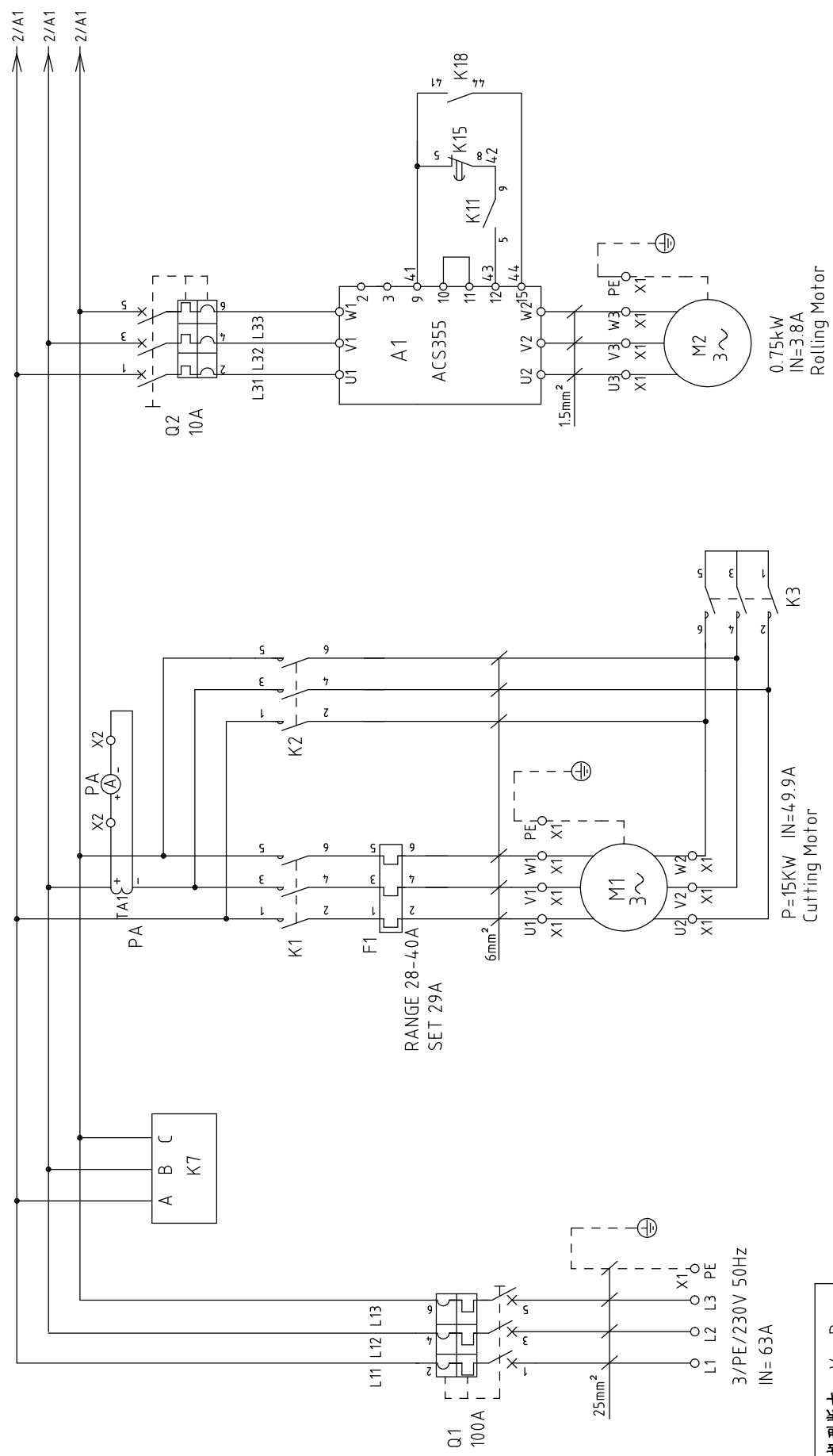
Voltage	3Φ230V
Frequency	50HZ



NO.	Symbol	Name	Manufacturer	Type	Specification	Number	Material number	Remark
1	Q1	Door interlock circuit breaker	ABB	A1A125TMF90	90A	1	YE41109200000	New
2	<del>Q1</del>	<del>门控断路器/ Gate circuit Breakers</del>	<del>ABB</del>	<del>A1A125TMF100</del>	<del>100A</del>	<del>1</del>	<del>YE41102000000</del>	<del>Cancel</del>
3	Q2	Circuit breaker	TECO	BM-63C	10A	1	YE40301003000	
4	Q3	Circuit breaker	TECO	BM-63C	20A	1	YE40302003000	
5	Q4	Thermomagnetic circuit breaker	CHNT	NS2-25	1.6-2.5A	1	YE10162500100	
6	K1 K2	Contactor	SIEMENS	3RT6028-1AC20	38A 24VAC 50/60Hz	2	YE00602802600	
7	K3	Contactor	SIEMENS	3RT6027-1AC20	32A 24VAC 50/60Hz	1	YE00602702600	
8	K4	Contactor	SIEMENS	3RT6017-1AB01	12A 24VAC 50/60Hz	1	YE00601702500	
9	K5 K6	Contactor	SIEMENS	3RT6015-1AB02	7A 24VAC 50/60Hz	2	YE00601502600	
10	K7	Phase sequence protector	CHAOSHI	ABJ1-10W-220V	220V 50/60Hz	1	YE03102200000	
11	K8 K9 K10	Middle relay	WEIDMULLER	DRM270024LT	24VDC	3	YE03272400000	
12	K11 K12	Middle relay	Honeywell	GR-2C-AC24V	24VAC	2	YE03022400300	
13	K13	Timer relay	YUYUN	TRF-N/3M	3M 24VAC	1	YE86032400000	
14	K14 K15	Timer relay	YUYUN	TH3M-NAB	3S~60M 24VAC	2	YE86123000000	
15	K16	Middle relay	WEIDMULLER	DRM270024LT	24VDC	1	YE03272400000	
16	K17	Timer relay	YUYUN	TH3M-NAB	3S~60M 24VAC	1	YE86123000000	
17	K18	Middle relay	Honeywell	GR-4C-AC24V	24VAC	1	YE03042400300	
18	<del>F1</del>	<del>热过载继电器/Overload relay</del>	<del>SIEMENS</del>	<del>3RU6126-4NB0</del>	<del>23-28A</del>	<del>1</del>	<del>YE01612620000</del>	<del>Cancel</del>
19	F1	Thermal overload relay	SIEMENS	3RU6126-4DB0	20-25A	1	YE01260200000	New
20	K19	Middle relay	Honeywell	GR-2C-AC24V	24VAC	1	YE03022400300	
21	Q5	Circuit breaker	TECO	BM-63C/2003S 2P	3A	1	YE40200203000	
22	Q6	Circuit breaker	TECO	BM-63C/1006S 1P	6A	1	YE40100600100	
23	A1	Inverter	ABB	ACS355-03E-04A7-2	230V 0.75kW	1	YE75355300300	
24		Controller pad	ABB	J404	---	1	YE81040400000	
25	T	Mutual transformer	BAIYUN	IN=230/200V OUT=24V	120VA	1	YE70023004500	

机型号本	Ver.D	Notes:(1)Materials not in the control box;												
		Scale	Page	6										
Mark	Before modification	After modification	Modified by	Modify date	Checked by	Date	Approved by	Version	B	Title	Drawing NO.		Scale	Page
											SGF-2660			
Elec. Parts List 1											SGF-2660-GB-230V-B-6		Voltage	Pages
SHINI											信易电热机械股份有限公司 Shini Plastics Technologies, Inc.			
20210120											Frequency		50Hz	
20210120											5		7	
4											6		8	



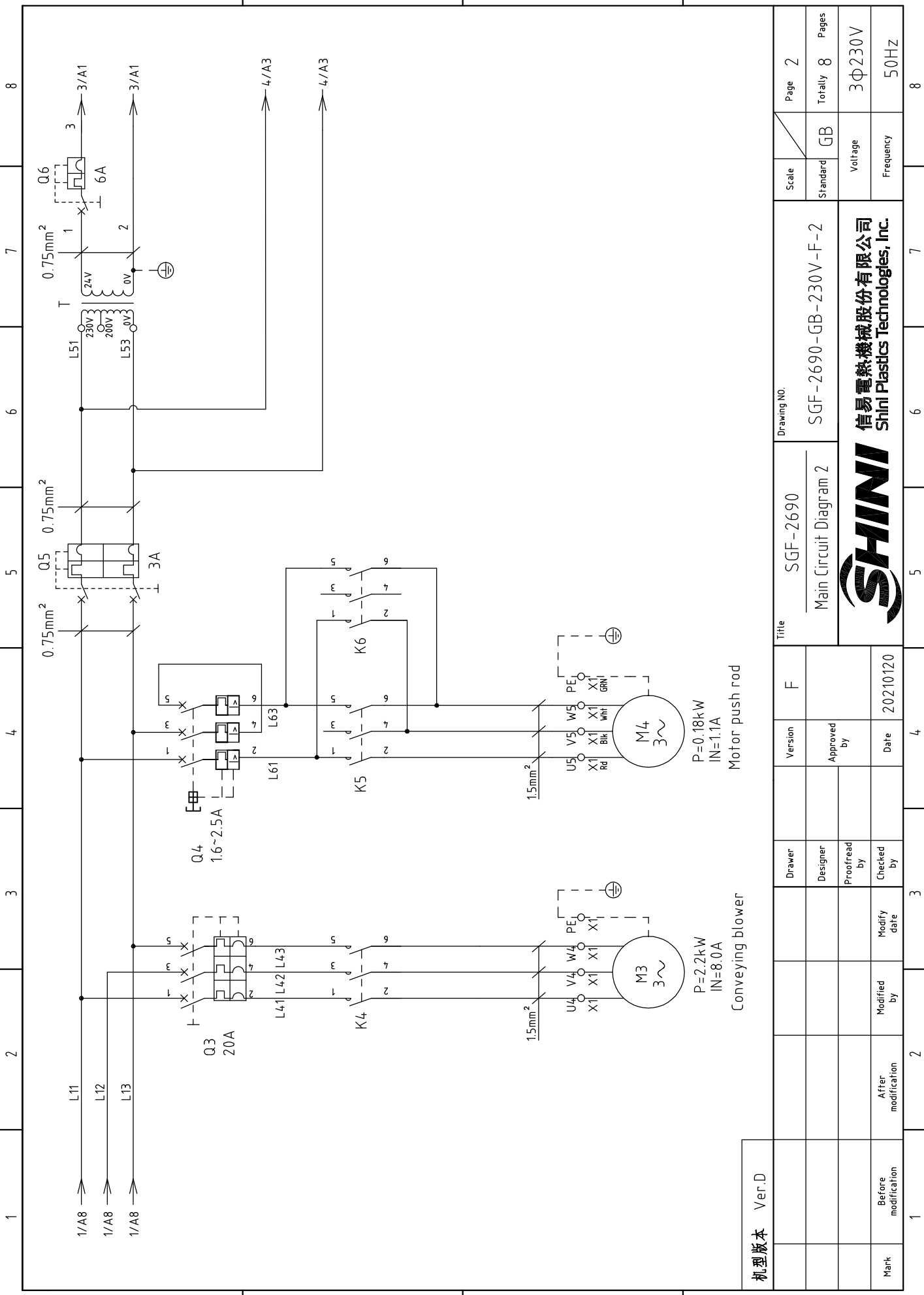


机版本 Ver.D

Mark	Before modification	After modification	Modified by	Modify date	Checked by	Date	20210120	Approved by	Version	F	Title	Drawing No.		Scale	Page 1	
	SGF-2690-GB-230V-F-1											Standard	GB			
Totally	8		8		8		8		8		8		8		8	
	Voltage		3φ230V		Frequency		50Hz									

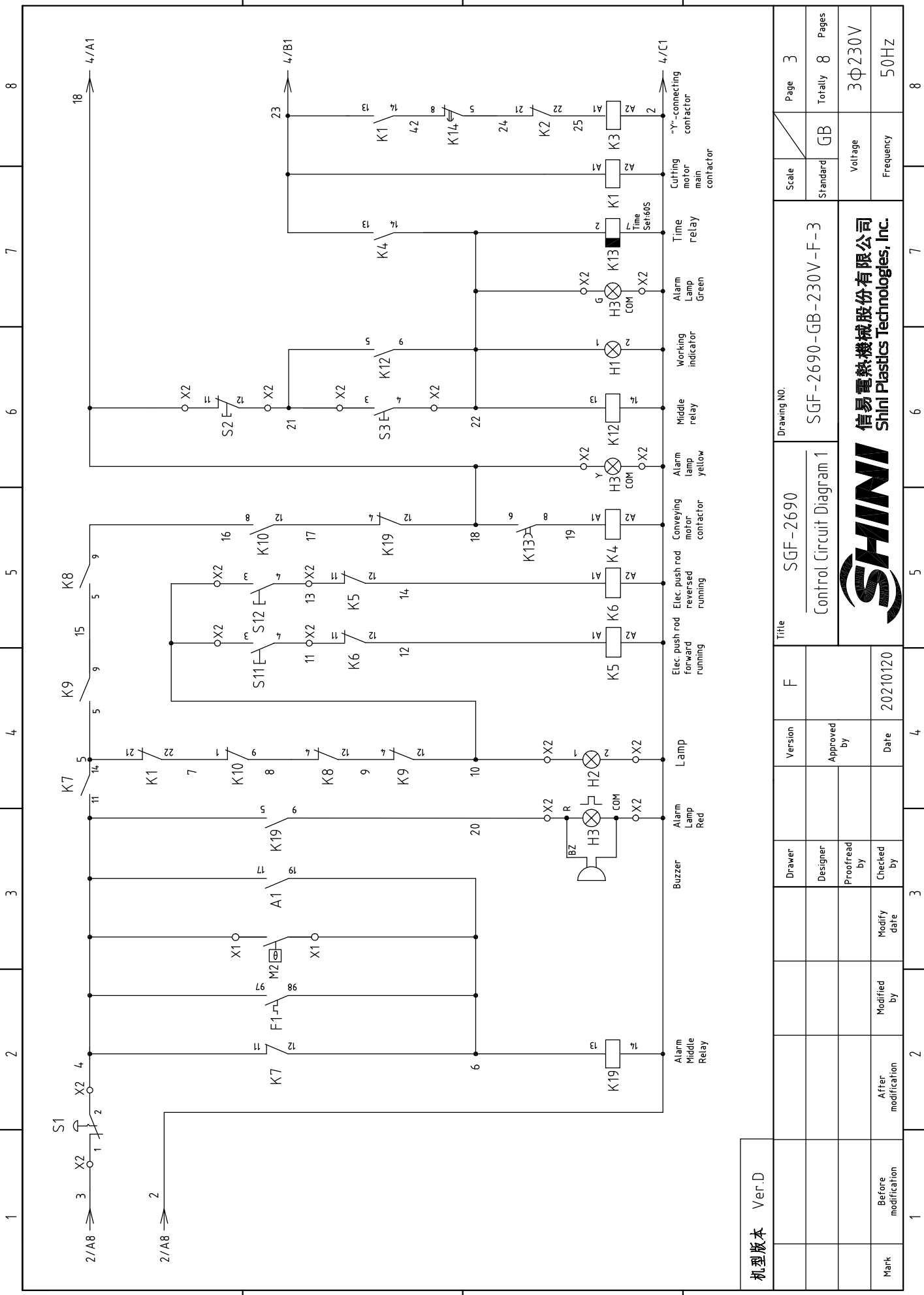
**SHINI**  
信易熱機械股份有限公司  
Shini Plastics Technologies, Inc.





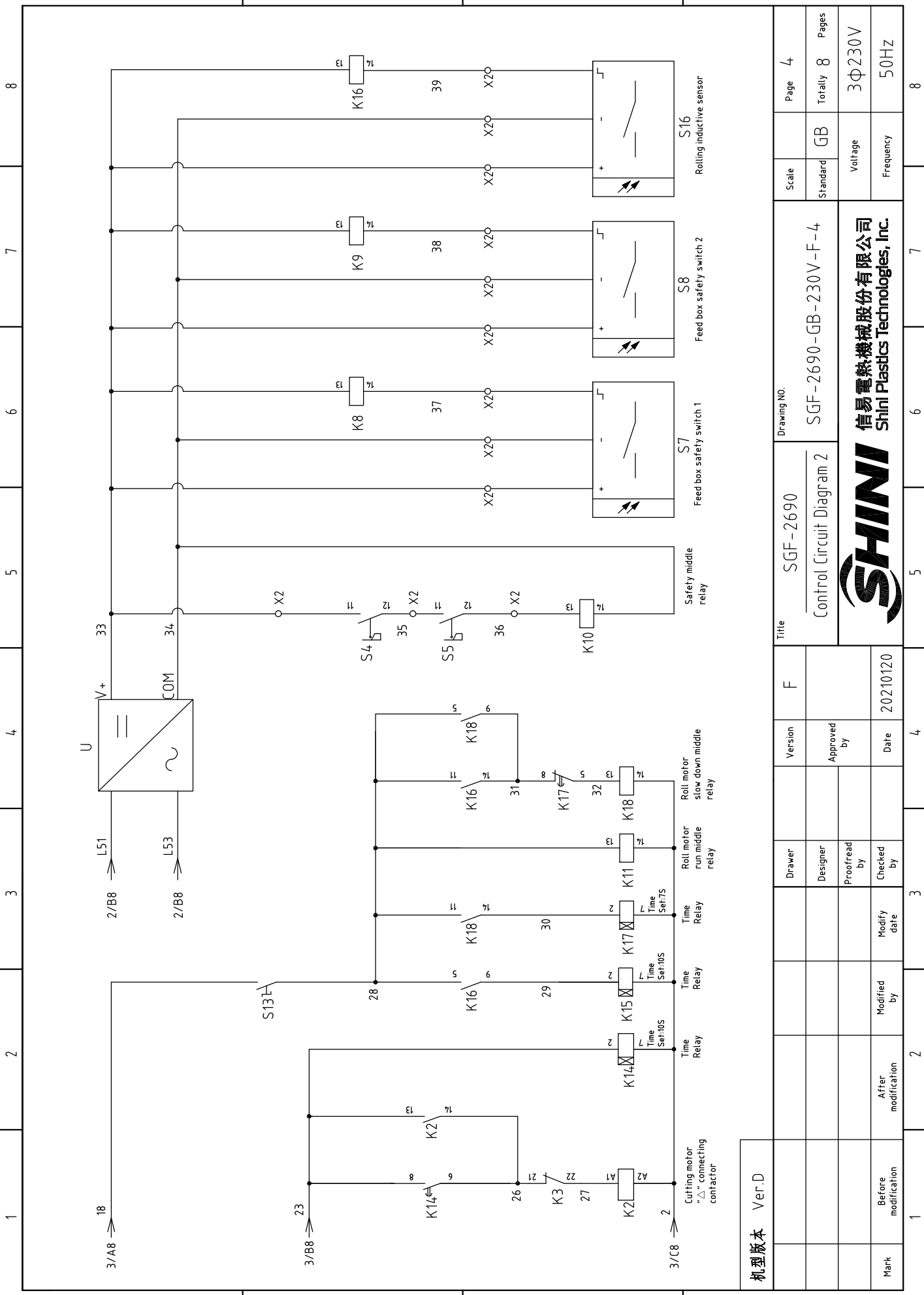
机 型 版 本	Ver.D	Drawing NO.		SGF-2690		Title		SGF-2690-GB-230V-F-2		Scale	Page
		Drawer	Designer	Version	Approved by	Main Circuit Diagram 2		Standard	GB	Totally	8
		Proofread by	Checked by	Date	20210120			Voltage	3φ230V	Frequency	50Hz
Mark	Before modification	After modification	Modify date								
1	2	3	4	5	6	7	8				





机型版本	Ver.D
Mark	Before modification
After modification	
Modified by	
Modify date	
Checked by	
Proofread by	
Designer	
Drawer	
Version	F
Title	
SGF-2690	SGF-2690-GB-230V-F-3
Control Circuit Diagram 1	
Drawing NO.	
Scale	GB
Standard	
Voltage	3φ230V
Frequency	50HZ
Page	3
Totally	8
Pages	

**SHINI**  
 信易电热机械股份有限公司  
 Shini Plastics Technologies, Inc.

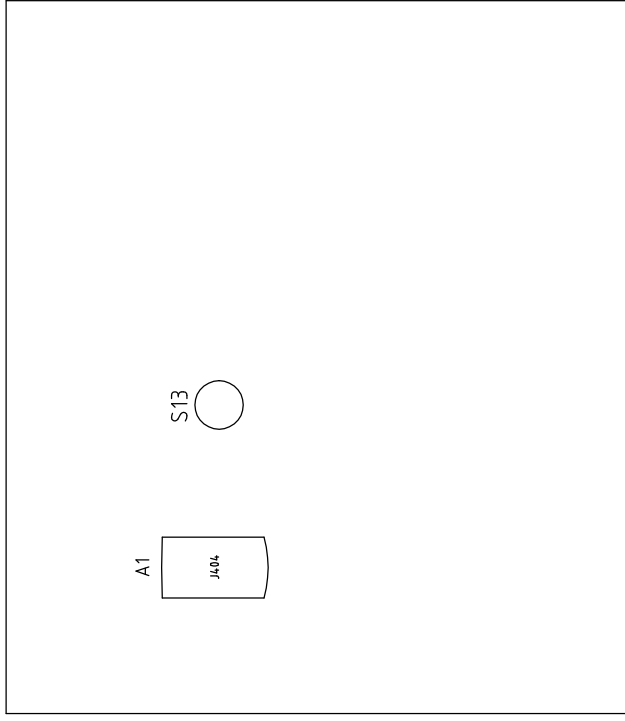


机版本	Ver.D
Mark	Before modification
	After modification
	Modified by
	Modify date
	Checked by
	Proofread by
Drawer	Designer
Version	Approved by
F	Date
20210120	

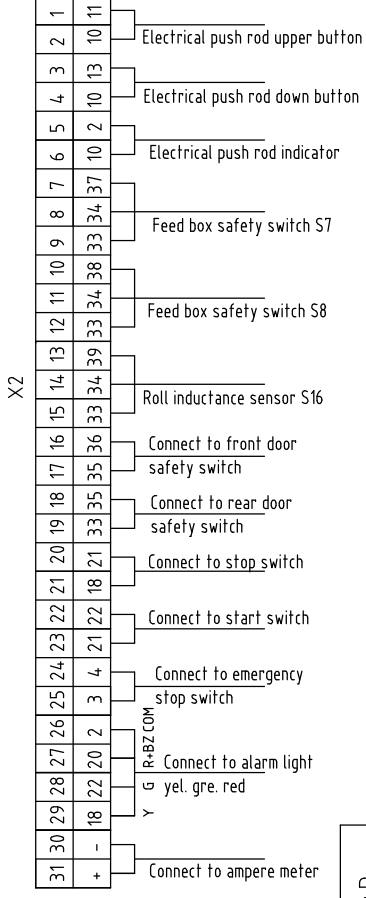
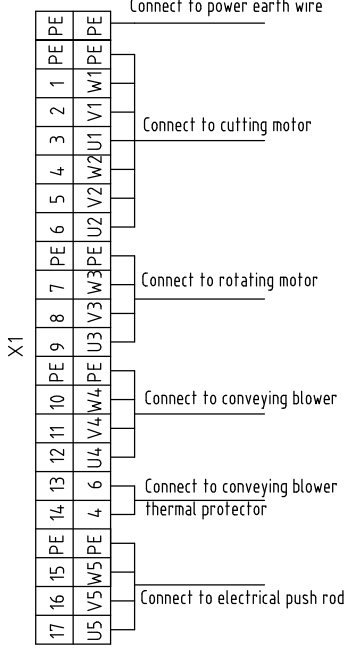
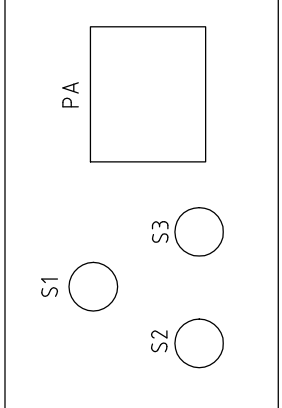
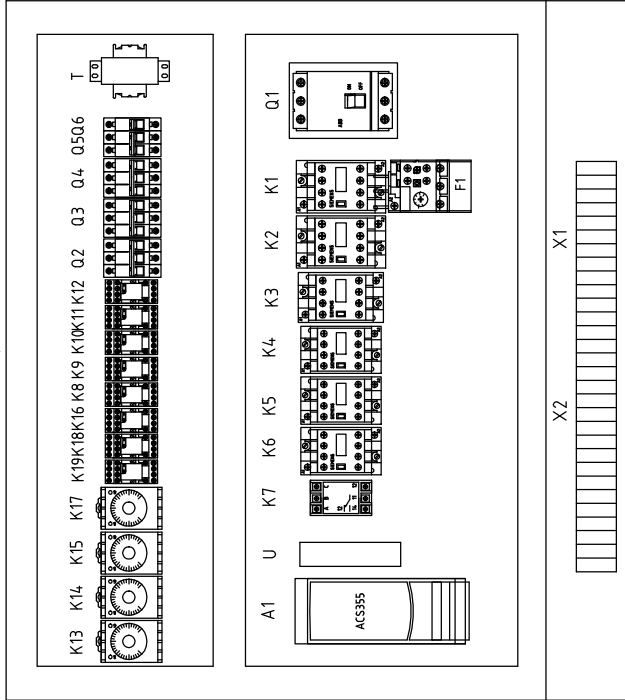
Title		SGF-2690		Drawing NO.		Page 4	
Control Circuit Diagram 2		SGF-2690-GB-230V-F-4		Standard		Totally 8 Pages	
				Voltage		3φ230V	
				Frequency		50HZ	



Control box door plank



Control box bottom plate



机型版本 Ver.D

Notes: Power cable L1, L2 and L3 are directly connected to the main power circuit breaker end without passing the terminal.

Title	SGF-2690		SGF-2690-GB-230V-F-5		Scale	Page
	Elec. Layout & Terminal Wiring Diagram				Standard	Totally
Version	F			GB		8
Drawer				Voltage		3Φ230V
Designer				Frequency		50HZ
Proofread by						
Checked by						
Approved by						
Date	20210120					
Modify date						
Modified by						
After modification						
Before modification						
Mark						



NO.	Symbol	Name	Manufacturer	Type	Specification	Number	Material number	Remark
1	Q1	门进断路器/Gate-circuit Breakers	ABB	A1A125TMF125	125A	1	YE41161400000	Cancel
2	Q1	Door interlock circuit breaker	ABB	A1A125TMF100	100A	1	YE41110200000	New
3	Q2	Circuit breakers	TECO	BM-63C	10A	1	YE40301003000	
4	Q3	Circuit breakers	TECO	BM-63C	20A	1	YE40302003000	
5	Q4	Thermomagnetic circuit breaker	CHNT	NS2-25	1.6-2.5A	1	YE10162500100	
6	K1 K2	Contactors	SIEMENS	3RT5036-1AC20	50A 24VAC 50/60Hz	2	YE00503602600	
7	K3	Contactors	SIEMENS	3RT5035-1AC20	40A 24VAC 50/60Hz	1	YE00503502600	
8		Auxiliary contact	SIEMENS	3RH5921-1CA01	1NC	3	YE00592110100	
9		Auxiliary contact	SIEMENS	3RH5921-1CA10	1NO	4- 2	YE00592110000	Change
10	K4	Contactors	SIEMENS	3RT6017-1AB01	12A 24VAC 50/60Hz	1	YE00601702500	
11	K5 K6	Contactors	SIEMENS	3RT6015-1AB02	7A 24VAC 50/60Hz	2	YE00601502600	
12	K7	Phase sequence protector	CHAOSHI	ABJ1-10W-220V	220V 50/60Hz	1	YE03102200000	
13	K8 K9 K10	Middle relay	WEIDMULLER	DRM270024LT	24VDC	3	YE03272400000	
14	K11 K12	Middle relay	Honeywell	GR-2C-AC24V	24VAC	2	YE03022400300	
15	K13	Timer relay	YUYUN	TRF-N/3M	3M 24VAC	1	YE86032400000	
16	K14 K15	Timer relay	YUYUN	TH3M-NAB	3S-60M 24VAC	2	YE86123000000	
17	K16	Middle relay	WEIDMULLER	DRM270024LT	24VDC	1	YE03272400000	
18	K17	Timer relay	YUYUN	TH3M-NAB	3S-60M 24VAC	1	YE86123000000	
19	K18	Middle relay	Honeywell	GR-4C-AC24V	24VAC	1	YE03042400300	
20	F1	Thermal overload relay	SIEMENS	3RU5136-4FB0	28-40A	1	YE01513600100	
21	K19	Middle relay	Honeywell	GR-2C-AC24V	24VAC	1	YE03022400300	
22	Q5	Circuit breaker	TECO	BM-63C/2003S 2P	3A	1	YE40200203000	
23	Q6	Circuit breaker	TECO	BM-63C/1006S 1P	6A	1	YE40100600100	
24	A1	Inverter	ABB	ACS355-03E-04A7-2	230V 0.75kW	1	YE75355300300	
25		Controller pad	ABB	J404	---	1	YE81040400000	

机 型 版 本	Ver.D	Notes:(1)Materials not in the control box;		Drawing NO.		Page 6	
				SGF-2690	SGF-2690-GB-230V-F-6	Scale	Totally 8 Pages
				Elec. Parts List 1		Standard	GB
						Voltage	3Φ230V
Mark	Before modification	After modification	Modified by	Modify date	Checked by	Frequency	50Hz
1				20210120			8



1	2		3	4	5	6	7	8
NO.	Symbol	Name	Manufacturer	Type	Specification	Number	Material number	Remark
26	T	互感器/Transformer	BAYUN	IN=230/200V OUT=24V	120VA	1	YE70023004500	Cancel
27	T	Mutual transformer	----	IN=230/200V OUT=24VAC	180VA	1	YE70023005400	New
28	S1	Emergency stop button	SCHNEIDER	XB2BS542C	4.00VAC	1	YE11254200000	(1)
29	S2	Stop button	SCHNEIDER	XB2BA22C	4.00VAC	1	YE11222000000	(1)
30	S11 S12	Bottom switch	ABB	CP1-11G-10	24VAC	2	YE11241100000	(1)
31	S3,H1	Start button switch (with light)	SCHNEIDER	XB2BW33B1C	24VAC	1	YE11233100000	(1)
32	S4,S5	Safety switch	SCHMERSRC	AZ15ZVRK-1476-1+B1	AC-15	2	YE16147600100	(1)
33	S7 S8	Inductive sensor	CONTRINEX	DW-AD-621-M12	24VDC NPN N.O	2	YE90621120000	(1)
34	S16	Sensor	DELIN	DL-12	24VDC NPN	1	YE15122400000	(1)
35	H2	Indicator	ABB	CL2-502G	24VAC	1	YE83050200100	(1)
36	H3	3-color alarm lamp	SHINI	Red. gre. yel.+buzzer	24VAC	1	BL90002401520	(1)
37	S13	Selective switches	ABB	C2SS2-10B-10	Ui=300V Ifh=5A	1	YE12210100000	(1)
38	U	DC power	MEAN WELL	LRS-35-24	OUT=24VDC 1.5A	1	YE71352400100	
39	TA1	Current transformer	RATIO	RQT-10	100/5A	1	YE04100500000	
40	PA	Ampere meter	SFIM	DH-670	100/5A	1	YE25671000000	(1)
41	X1	Terminal board	NACHI	NCT-35PE	35mm <sup>2</sup> PE	1	YE60003503500	
42		Terminal board	HONEYWELL	GK6	6mm <sup>2</sup>	6	YE60000603200	
43		Terminal board	HONEYWELL	GK6PE	6mm <sup>2</sup> PE	1	YE60000603500	
44		Terminal board	HONEYWELL	SK2.5	2.5mm <sup>2</sup>	11	YE60002503200	
45		Terminal board	HONEYWELL	GK2.5PE	2.5mm <sup>2</sup> PE	3	YE60002503400	
46	X2	Terminal board	HONEYWELL	SK2.5	2.5mm <sup>2</sup>	31	YE60002503200	
47	M1	Motor	SIEMENS	15kW	230V 50Hz	1	-----	(1)
48	M2	Motor	TRANSTECNO	0.75kW	230V 50Hz	1	-----	(1)
49	M3	Motor	SHINI	2.2kW	230V 50Hz	1	-----	(1)
50	M4	Elect. push rod motor (with limit)	SKF	CAHB-31-P3N-204495	230V 50Hz	1	-----	(1)

机型号本	Ver.D	Notes:(1)Materials not in the control box;	
Mark	Before modification	Modified by	Modify date
			20210120
	After modification	Checked by	Date
	Proofread by	Approved by	
	Designer	F	
	Drawer	Version	
Title		SGF-2690	
Drawing NO.		SGF-2690-GB-230V-F-7	
Scale		GB	
Standard		Voltage	
Frequency		3φ230V	
Page		Page 7	
Totally		8	
Pages		50Hz	

1	2	3	4	5	6	7	8



信易電熱機械股份有限公司  
Shini Plastics Technologies, Inc.

