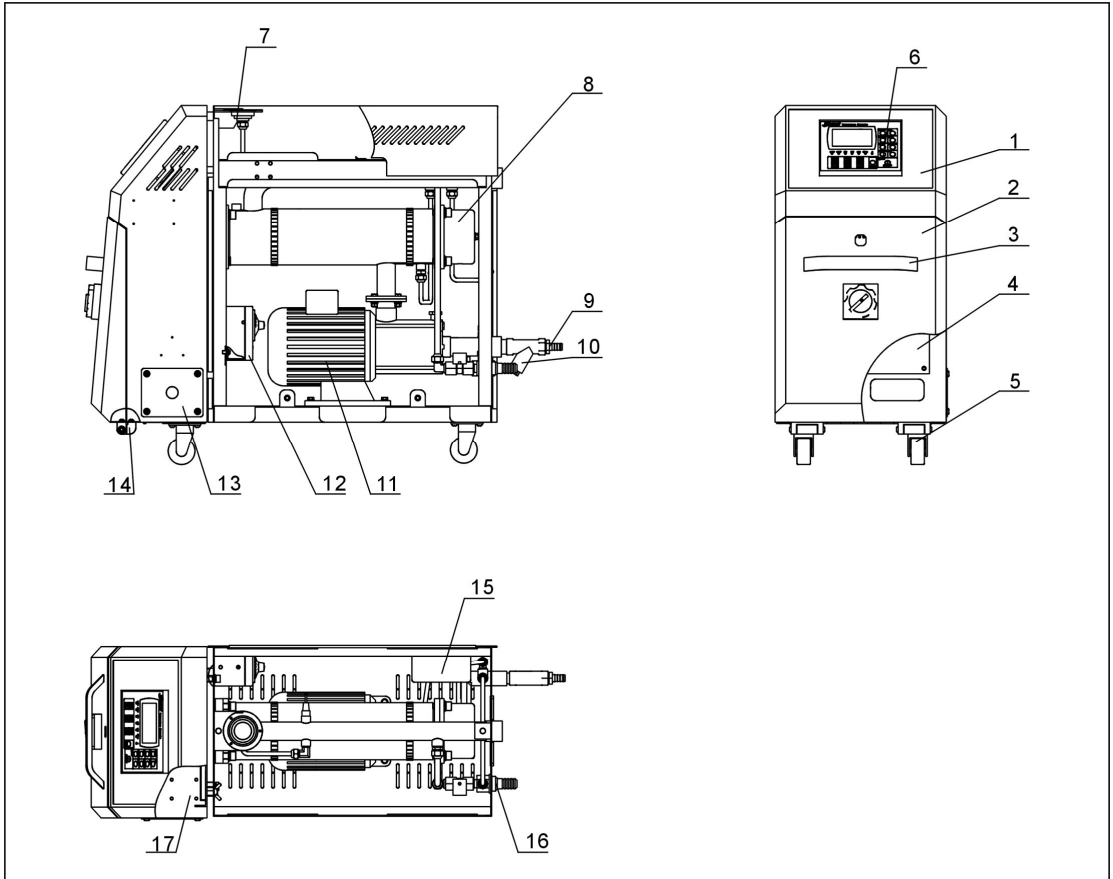


1. Assembly Drawing (STM-607WF)



Remarks: Please refer to material list 2 for specific explanation of the Arabic numbers in parts drawing.

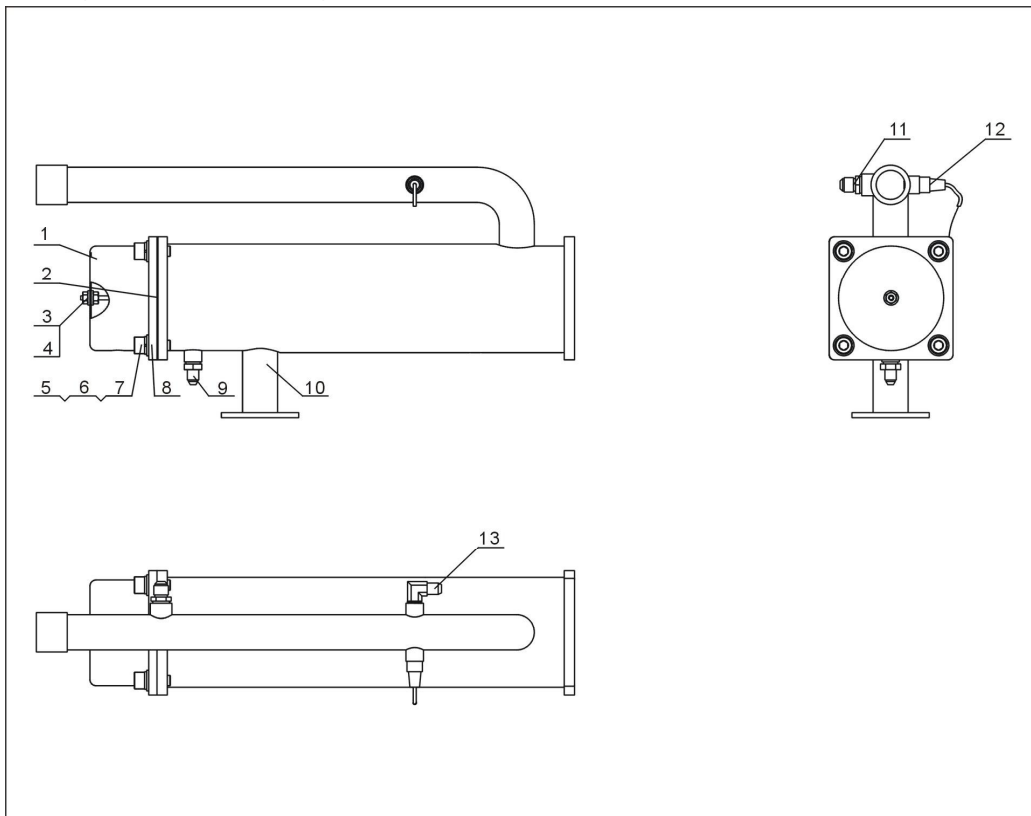
2. Parts List (STM-607WF)

No.	Name	Parts No.
1	Control box	-
2	Door plank	-
3	Aluminum handle of door plank 6609(Ya Xuan)	YW20660900100
4	Bottom plate of electrical control	-
5	Castor 2"	YW03000200000
6	Han Rong Controller MT100-01	YE81100010000
7	Pressure gauge 0-10KG	YW85015000100
8	Heating tank component	-
9	Copper joint 3/4"PT×□25	BH12030401510
10	Y type water strainer 3/4" *	YW57030400000
11	Pump connector assembly	-
12	EGO Assembly*	BH90115000050
13	Fixing board of wire clamps	-
14	Big hinge CL219-1	YW06219100000
15	High/low pressure switch HLP830HME *	YE90832500000
16	Drainage connector assembly	-
17	Control box rear plate	-

* means possible broken parts. ** means easy broken part. and spare backup is suggested.

Please confirm the version of manual before placing the purchase order to guarantee that the item number of the spare part is in accordance with the real object.

3. Heating Tank Parts Diagram (STM-607WF)



Remarks: Please refer to material list 4 for specific explanation of the Arabic numbers in parts drawing.

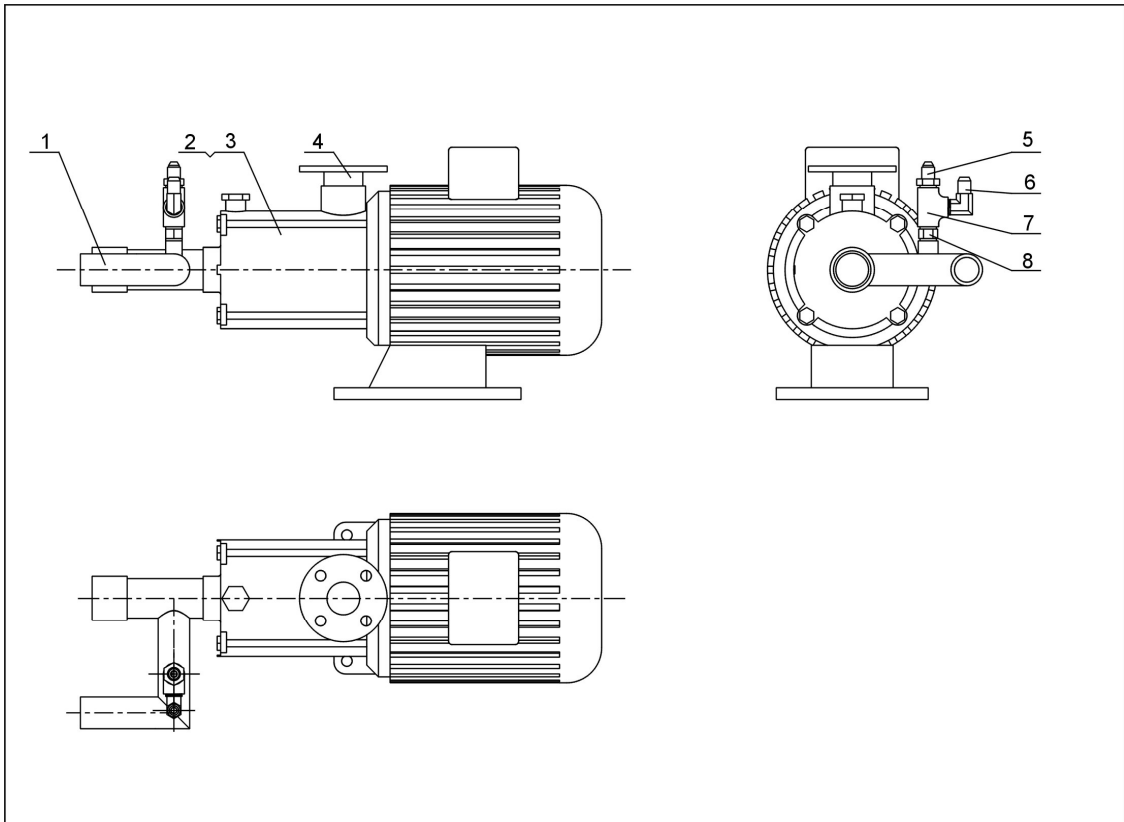
4. Heating Tank Parts list (STM-607WF)

No.	Name	Parts No.
1	Heating pipe cover	BL80091000120
2	Graphite washer 120×120×2.0 **	YR20121200000
3	Hexagon nut	YW64000600300
4	Flat gasket 6x13x1.0mm	YW66061300000
5	Inner hexagon socket cap screwM10x25	YW61102500000
6	Spring washer 10	YW65010000000
7	Flat gasket 10x25x1.5mm	YW66102500000
8	Heating pipe group (6kW)	BH70060700850
9	Tonflon pipe connector 1/4"H×1/4"PT	BH12010400410
10	Heating tank	-
11	Tonflon pipe connector 3/8"H×3/8"PT	BH12030800110
12	Thermocouple	BE90341500050
13	Tonflon pipe connector 1/4"H×1/4"PT (L)	YW04010400400

* means possible broken parts. ** means easy broken part. and spare backup is suggested.

Please confirm the version of manual before placing the purchase order to guarantee that the item number of the spare part is in accordance with the real object.

5. Pump Connector Assembly Diagram (STM-607WF)



Remarks: Please refer to material list 6 for specific explanation of the Arabic numbers in parts drawing.

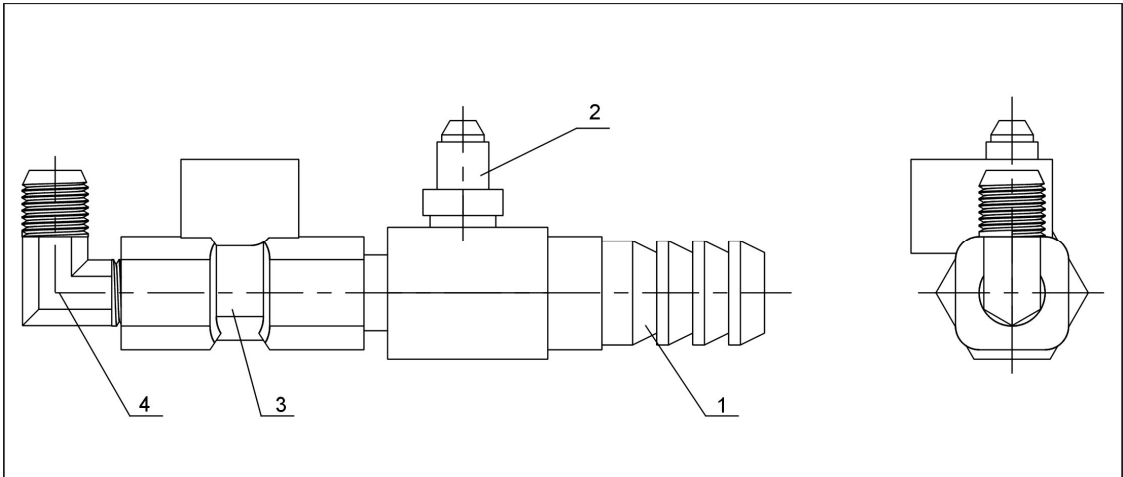
6. Pump Connector Assembly Parts List (STM-607WF)

No.	Name	Parts No.
1	Water pump inlet connector	-
2	Pump CHLF(2-40)(for 50Hz)	YM2002400000
3	Pump CHLF(2-20)(for 60Hz)	YM2002200000
4	Water pump outlet connector	-
5	Tonflon pipe connector 1/4"H×1/4"PT	BH12010400410
6	Tonflon pipe connector 1/4"H×1/4"PT(L)	YW04010400400
7	Stainless steel water pipe three way 1/4"	YW52010400000
8	Copper pipe coupler 1/4"PT×1/4"PT	BH12010400110

* means possible broken parts. ** means easy broken part. and spare backup is suggested.

Please confirm the version of manual before placing the purchase order to guarantee that the item number of the spare part is in accordance with the real object.

7. Water Drainage Connector Assembly (STM-607WF)



Remarks: Please refer to material list 8 for specific explanation of the Arabic numbers in parts drawing.

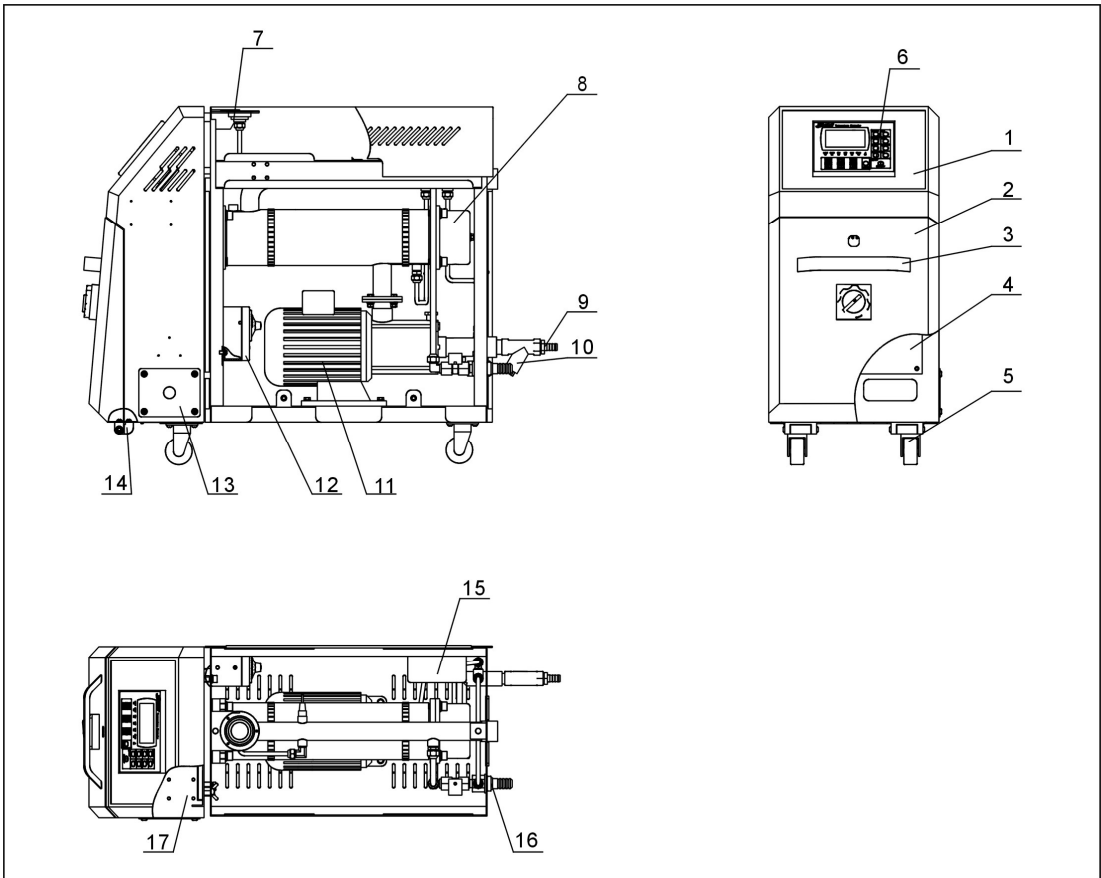
8. Water Drainage Connector Parts List (STM-607WF)

No.	Name	Parts No.
1	No.3 set of copper connector	BH12060703710
2	Tonflon pipe male thread connector 1/4"H×1/4"PT	BH12010400410
3	Solenoid valve 3/8"(Airtec) *	YE32203000900
4	Tonflon pipe connector 3/8H*3/8PT(L)	YW04030800300

* means possible broken parts. ** means easy broken part. and spare backup is suggested.

Please confirm the version of manual before placing the purchase order to guarantee that the item number of the spare part is in accordance with the real object.

9. Assembly Drawing (STM-910WF)



Remarks: Please refer to material list 10 for specific explanation of the Arabic numbers in parts drawing.

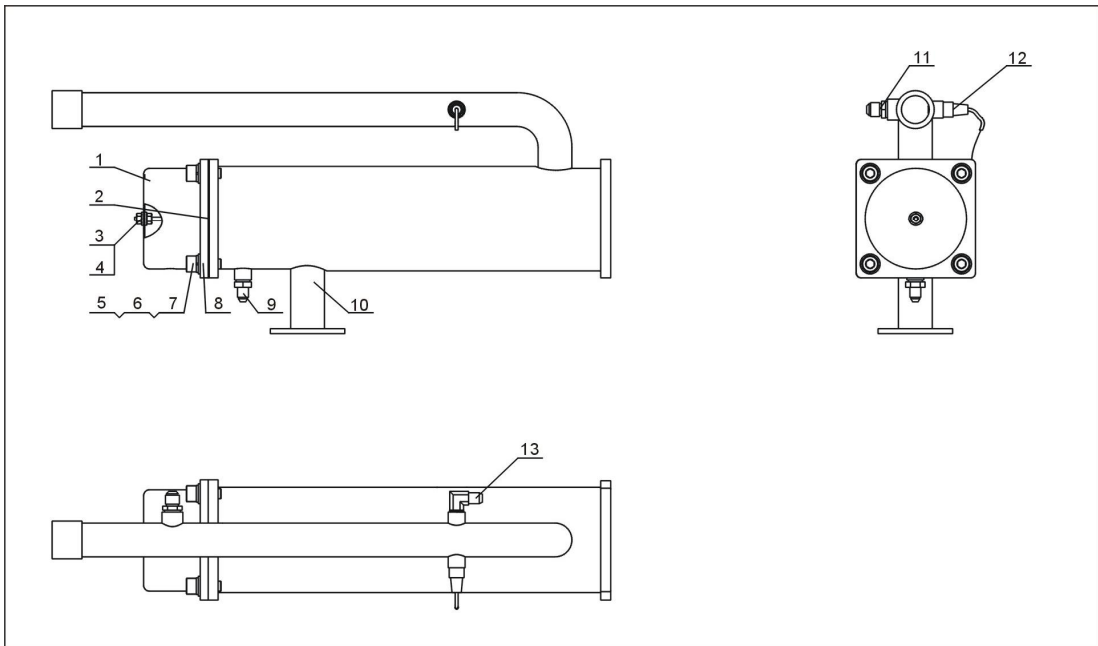
10. Parts List (STM-910WF)

No.	Name	Parts No.
1	Control box	-
2	Door plank	-
3	Aluminum handle of door plank 6609(Ya Xuan)	YW20660900100
4	Bottom plate of electrical control	-
5	Castor 2"	YW03000200000
6	Han Rong Controller MT100-01	YE81100010000
7	Pressure gauge 0-10KG	YW85015000100
8	Heating tank component	-
9	Copper joint 3/4"PT×□25	BH12030401510
10	Y type water strainer 3/4" *	YW57030400000
11	Pump connector assembly	-
12	EGO Assembly*	BH90115000050
13	Fixing board of wire clamps	-
14	Big hinge CL219-1	YW06219100000
15	High/low pressure switch HLP830HME *	YE90832500000
16	Drainage connector assembly	-
17	Control box rear plate	-

* means possible broken parts. ** means easy broken part. and spare backup is suggested.

Please confirm the version of manual before placing the purchase order to guarantee that the item number of the spare part is in accordance with the real object.

11. Heating Tank Parts Assembly (STM-910WF)



Remarks: Please refer to material list 12 for specific explanation of the Arabic numbers in parts drawing.

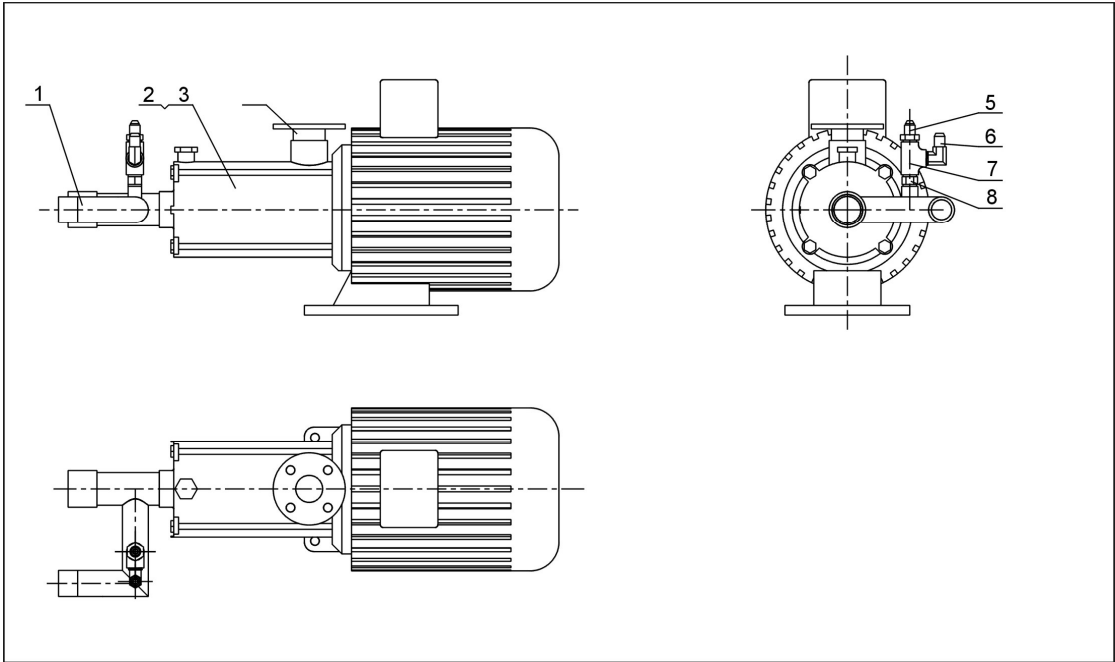
12. Heating Tank Parts List (STM-910WF)

No.	Name	Parts No.
1	Heating pipe cover	BL80091000120
2	Graphite washer 120×120×2.0 **	YR20121200000
3	Hexagon nut	YW64000600300
4	Flat gasket 6x13x1.0mm	YW66061300000
5	Inner hexagon socket cap screwM10x25	YW61102500000
6	Spring washer 10	YW65010000000
7	Flat gasket 10x25x1.5mm	YW66102500000
8	Heating pipe group (9kW)	BH70091000850
9	Tonflon pipe connector 1/4"H×1/4"PT	BH12010400410
10	Heating tank	-
11	Tonflon pipe connector 3/8"H×3/8"PT	BH12030800110
12	Thermocouple	BE90341500050
13	Tonflon pipe connector 1/4"H×1/4"PT (L)	YW04010400400

* means possible broken parts. ** means easy broken part. and spare backup is suggested.

Please confirm the version of manual before placing the purchase order to guarantee that the item number of the spare part is in accordance with the real object.

13. Pump Connector Assembly Drawing(STM-910WF)



Remarks: Please refer to material list 14 for specific explanation of the Arabic numbers in parts drawing.

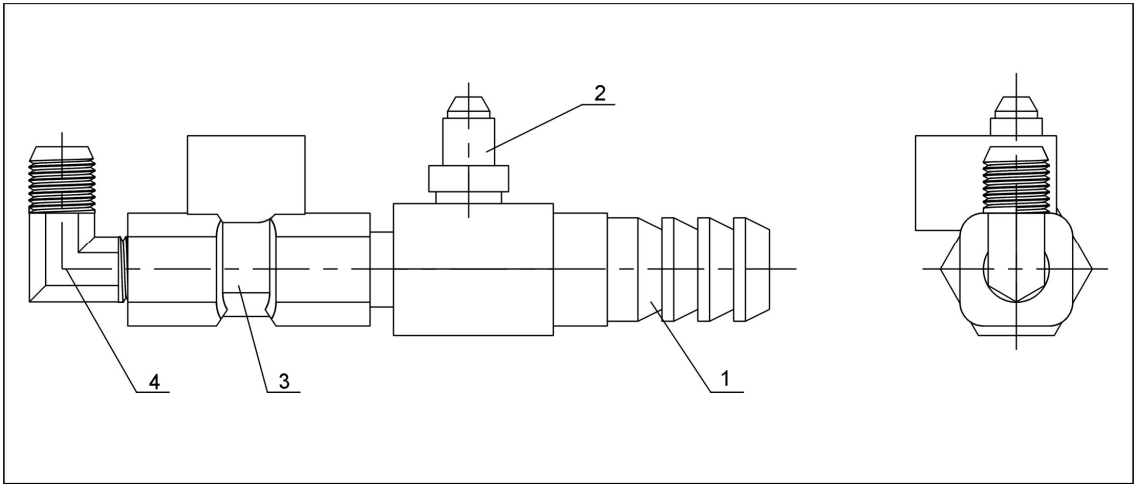
14. Pump Connector Assembly Parts List (STM-910WF)

No.	Name	Parts No.
1	Water pump inlet connector	-
2	Pump CHLF(4-40)(for 50Hz)	YM20044000000
3	Pump CHLF(4-20)(for 60Hz)	YM20042000400
4	Water pump outlet connector	-
5	Tonflon pipe connector 1/4"H×1/4"PT	BH12010400410
6	Tonflon pipe connector 1/4"H×1/4"PT(L)	YW04010400400
7	Stainless steel water pipe three way 1/4"	YW52010400000
8	Copper coupler 1/4"PT×1/4"PT	BH12010400110

* means possible broken parts. ** means easy broken part. and spare backup is suggested.

Please confirm the version of manual before placing the purchase order to guarantee that the item number of the spare part is in accordance with the real object.

15. Water Drainage Connector Parts Assembly (STM-910WF)



Remarks: Please refer to material list 16 for specific explanation of the Arabic numbers in parts drawing.

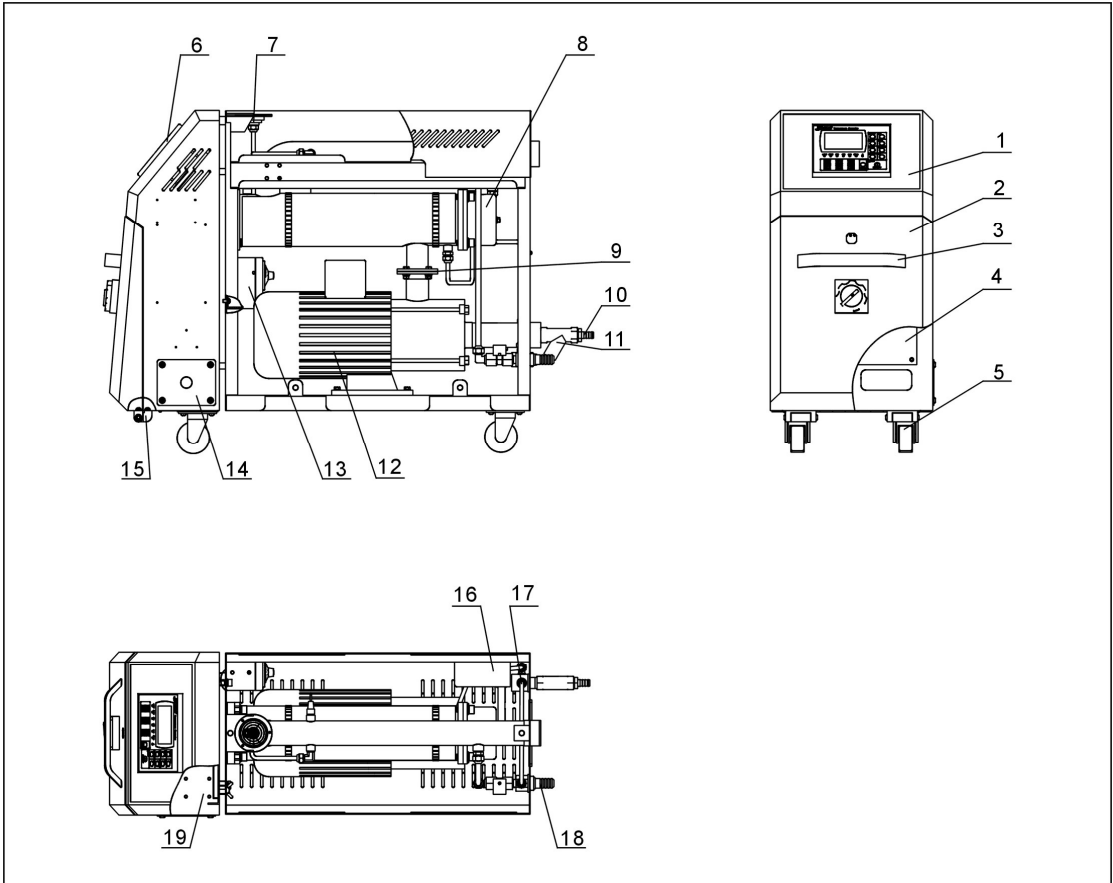
16. Water Drainage Connector Parts List (STM-910WF)

No.	Name	Parts No.
1	No.3 set of copper connector	BH12060703710
2	Tonflon pipe male thread connector 1/4"H×1/4"PT	BH12010400410
3	Solenoid valve 3/8"(Airtec) *	YE32203000900
4	Tonflon pipe connector 3/8H*3/8PT(L)	YW04030800300

* means possible broken parts. ** means easy broken part. and spare backup is suggested.

Please confirm the version of manual before placing the purchase order to guarantee that the item number of the spare part is in accordance with the real object.

17. Assembly Drawing (STM-1220WF)



Remarks: Please refer to material list 18 for specific explanation of the Arabic numbers in parts drawing.

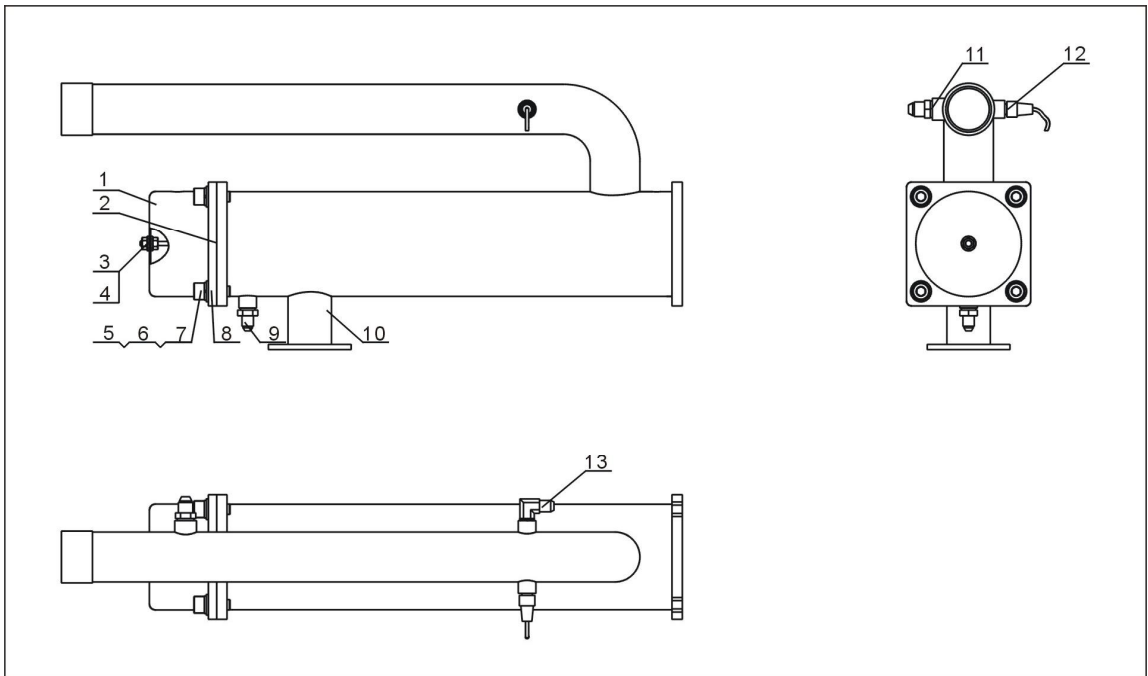
18. Parts List (STM-1220WF)

No.	Name	Parts No.
1	Control box	-
2	Door plank	-
3	Aluminum handle of door plank 6609(Ya Xuan)	YW20660900100
4	Bottom plate of electrical control	-
5	Castor 2.5"	YW03002500000
6	Han Rong controller MT100-01	YE81100010000
7	Pressure guage 0-10KG	YW85015000100
8	Heating tank component	-
9	Flange gasket **	YR20753300000
10	Copper joint 1"PT	BH12012500010
11	Y type water strainer 1"PT *	YW57010000000
12	Pump connector assembly	-
13	EGO assembly*	BH90115000050
14	Fixing board of wire clamps	-
15	Big hinge CL219-1	YW06219100000
16	High/low pressure switch HLP830HME *	YE90832500000
17	Cold water by-pass pipe	-
18	Drainage connector assembly	-
19	Control box rear plate	-

* means possible broken parts. ** means easy broken part. and spare backup is suggested.

Please confirm the version of manual before placing the purchase order to guarantee that the item number of the spare part is in accordance with the real object.

19. Heating Tank Parts Assembly (STM-1220WF)



Remarks: Please refer to material list 20 for specific explanation of the Arabic numbers in parts drawing.

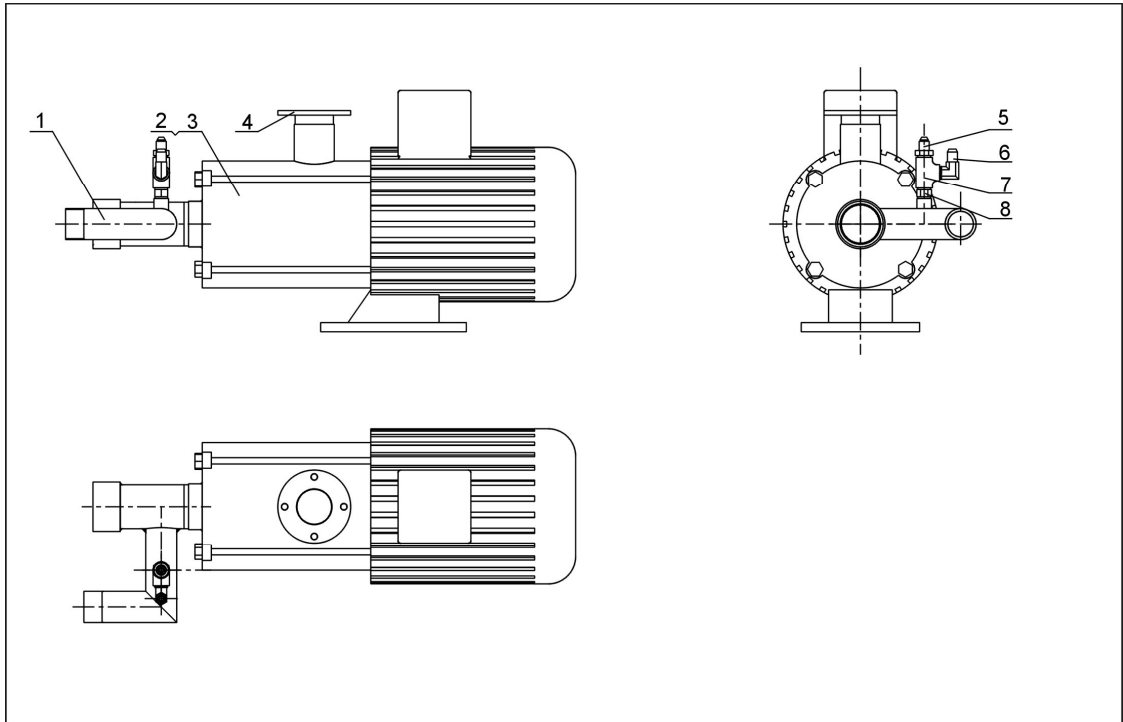
20. Heating Tank Parts List (STM-1220WF)

No.	Name	Parts No.
1	Heating pipe cover	BL80091000120
2	Graphite 120×120×2.0 **	YR20121200000
3	Hexagon nut	YW64000600300
4	Flat gasket 6x13x1.0mm	YW66061300000
5	Inner hexagon socket cap screwM10x25	YW61102500000
6	Spring washer 10	YW65010000000
7	Flat gasket 10x25x1.5mm	YW66102500000
8	Heating pipe group (12kW)	BH70122000850
9	Tonflon pipe connector 1/4"H×1/4"PT	BH12010400410
10	Heating tank	-
11	Tonflon pipe connector 3/8"H×3/8"PT	BH12030800110
12	Thermocouple	BE90341500050
13	Tonflon pipe connector 1/4"H×1/4"PT (L)	YW04010400400

* means possible broken parts. ** means easy broken part. and spare backup is suggested.

Please confirm the version of manual before placing the purchase order to guarantee that the item number of the spare part is in accordance with the real object.

21. Pump Connector Assembly Drawing(STM-1220WF)



Remarks: Please refer to material list 22 for specific explanation of the Arabic numbers in parts drawing.

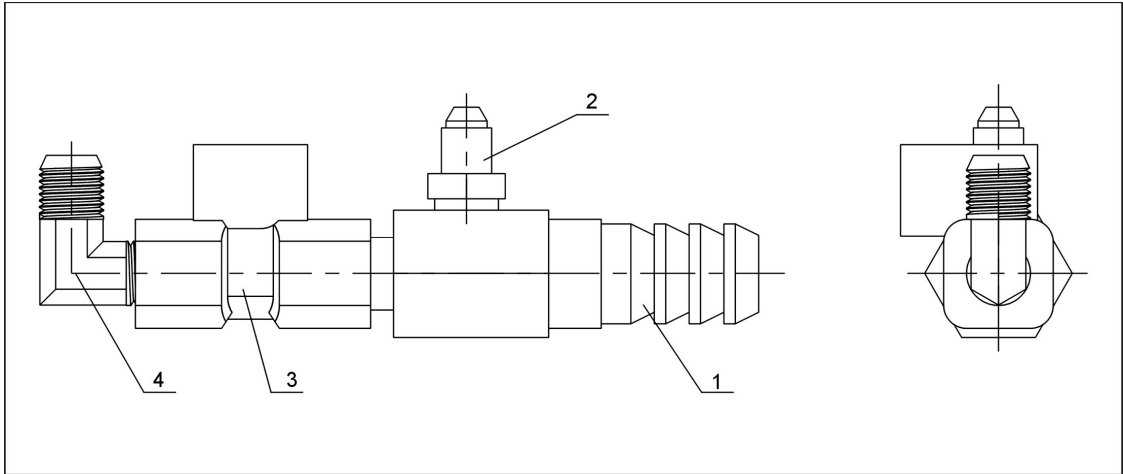
22. Pump Connector Assembly Parts List (STM-1220WF)

No.	Name	Parts No.
1	Water pump inlet connector	-
2	Pump CHLF(8-30)(for 50Hz)	YM20083000000
3	Pump CHLF(8-20)(for 60Hz)	YM20082000100
4	Water pump outlet connector	-
5	Tonflon pipe connector 1/4"H×1/4"PT	BH12010400410
6	Tonflon pipe connector 1/4"H×1/4"PT(L)	YW04010400400
7	Stainless steel pipe three way 1/4"	YW52010400000
8	Copper coupler 1/4"PT×1/4"PT	BH12010400110

* means possible broken parts. ** means easy broken part. and spare backup is suggested.

Please confirm the version of manual before placing the purchase order to guarantee that the item number of the spare part is in accordance with the real object.

23. Water Drainage Connector Parts Assembly (STM-1220WF)



Remarks: Please refer to material list 24 for specific explanation of the Arabic numbers in parts drawing.

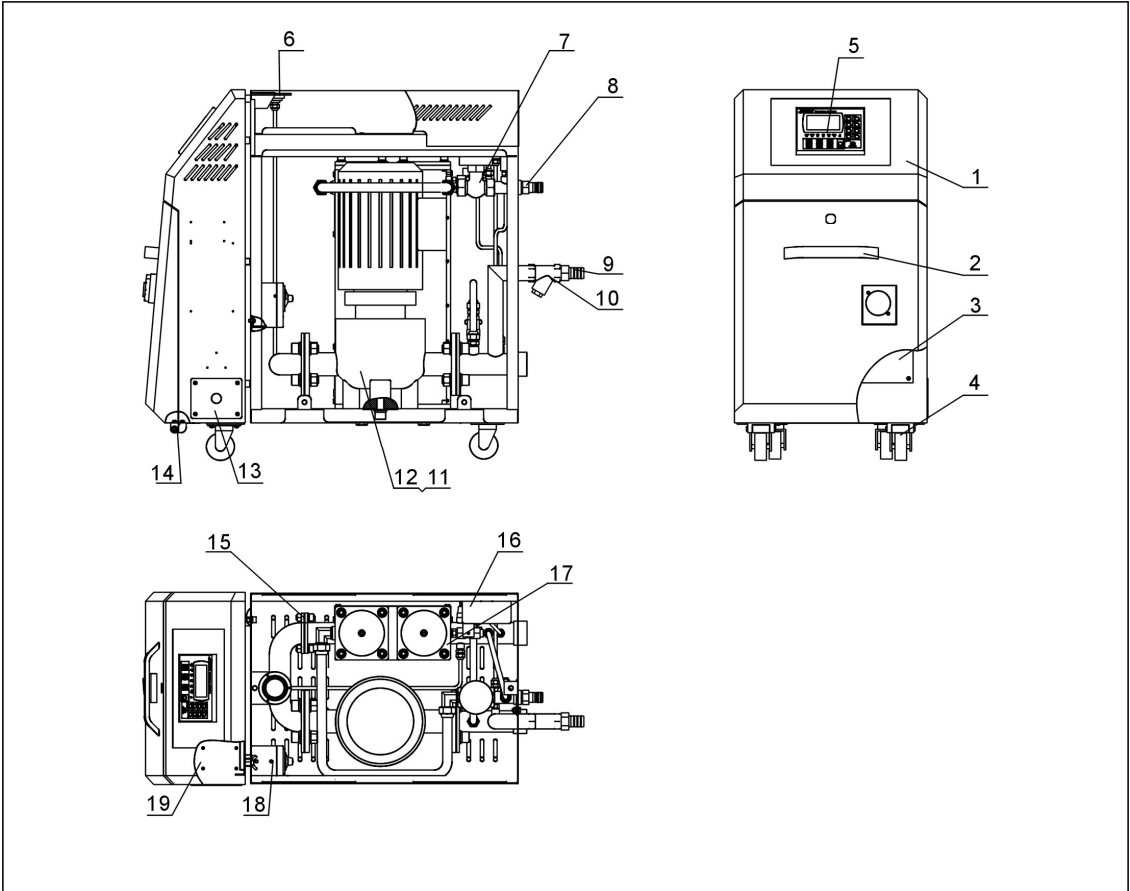
24. Water Drainage Connector Parts List (STM-1220WF)

No.	Name	Parts No.
1	No.3 set of copper connector	BH12060703710
2	Tonflon pipe male thread connector 1/4"H×1/4"PT	BH12010400410
3	Solenoid valve 3/8" (Airtec) *	YE32203000900
4	Tonflon pipe connector 3/8H*3/8PT(L)	YW04030800300

* means possible broken parts. ** means easy broken part. and spare backup is suggested.

Please confirm the version of manual before placing the purchase order to guarantee that the item number of the spare part is in accordance with the real object.

25. Assembly Drawing (STM-2430WF)



Remarks: Please refer to material list 26 for specific explanation of the Arabic numbers in parts drawing.

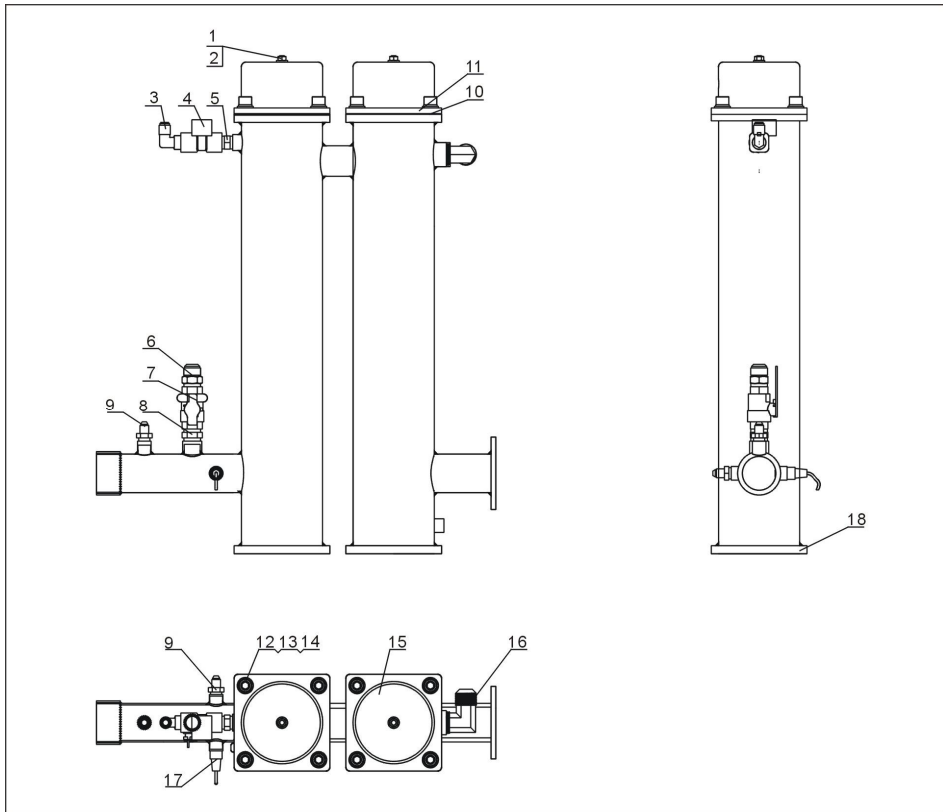
26. Parts List (STM-2430WF)

No.	Name	Parts No.
1	Control box	-
2	Aluminum handle of door plank(Ya Xuan)	YW20660900100
3	Bottom plate 2 of electrical control	-
	Bottom plate 1 of electrical control	
4	Movable castor 3"	YW03000300200
5	Han Rong controller MT100-01	YE81100010000
6	Pressure gauge 0-10KG	YW85015000100
7	Water outlet connector component	-
8	Copper joint 3/4"PT×□25	BH12030401510
9	Copper joint 1"PT	BH12012500010
10	Y type water strainer 1"PT *	YW57010000000
11	Pump TD32-25/2(for 50Hz)	YM20322500000
12	Pump TD32-27/2(for 50Hz)	YM20322700000
13	Fixing board of wire clamps	-
14	Big hinge CL219-1	YW06219100000
15	Flange gasket 1**	-
16	High/low pressure switch HLP830HME *	YE90832500000
17	Heating tank component	-
18	EGO assembly*	BH90115000050
19	Control box rear plate	-

* means possible broken parts. ** means easy broken part. and spare backup is suggested.

Please confirm the version of manual before placing the purchase order to guarantee that the item number of the spare part is in accordance with the real object.

27. Heating Tank Parts Assembly (STM-2430WF)



Remarks: Please refer to material list 28 for specific explanation of the Arabic numbers in parts drawing.

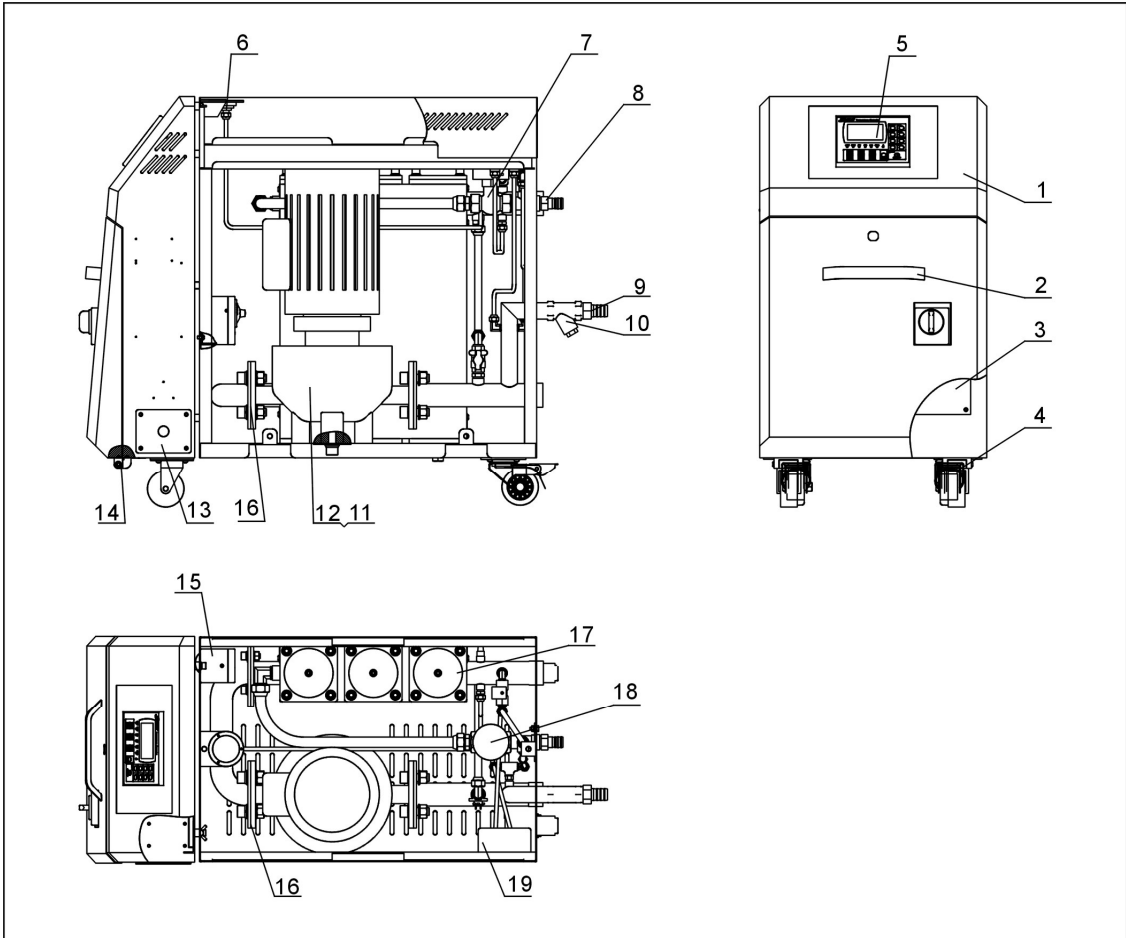
28. Heating Tank Parts List (STM-2430WF)

No.	Name	Parts No.
1	Hexagon nut M6	YW64000600300
2	Flat gasket 6x13x1.0mm	YW66061300000
3	Tonflon pipe connector 3/8"PT×3/8"H(L type)	YW04030800300
4	Solenoid valve *	YE32203000900
5	Copper joint 3/8"	BH12030800110
6	Tonflon pipe connector 1/2"PT×1/2"H	BH12121200610
7	Copper ball valve 1/2"PT(KITZ)	YW50010200500
8	Copper joint 1/2"	BH12010230110
9	Tonflon pipe connector 1/4"PT×1/4"H	BH12010400410
10	Graphite washer 120×120×2.0 **	YR20121200000
11	Heating pipe group (12kW)	BH70122001250
12	Inner hexagon socket cap screw M10x25	YW61102500000
13	Spring washer 10	YW65010000000
14	Flat gasket 10x25x1.5mm	YW66102500000
15	Heating pipe cover	BL80091000120
16	Tonflon pipe connector 3/4"PT×3/4"H(L type)	YW04030400000
17	Thermocouple	BE90341500050
18	Heating tank	-

* means possible broken parts. ** means easy broken part. and spare backup is suggested.

Please confirm the version of manual before placing the purchase order to guarantee that the item number of the spare part is in accordance with the real object.

29. Assembly Drawing (STM-3650WF)



Remarks: Please refer to material list 30 for specific explanation of the Arabic numbers in parts drawing.

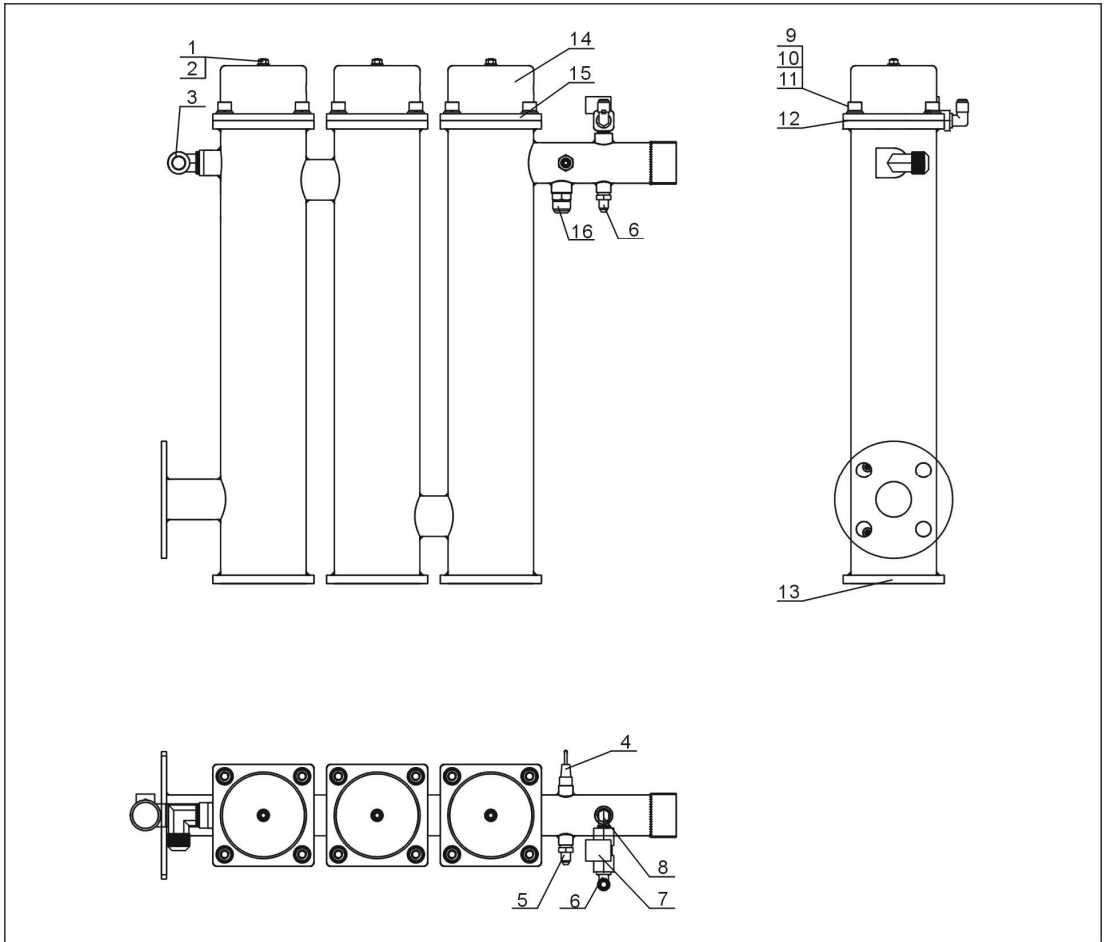
30. Parts List (STM-3650WF)

No.	Name	Parts No.
1	Control box	-
2	Aluminum handle of door plank(Ya Xuan)	YW20660900100
3	Bottom plate of electrical control	-
4	Movable castor 3"	YW03000300200
5	Han Rong controller MT100-01	YE81100010000
6	Pressure gauge 0-10KG	YW85015000100
7	Water outlet connector component	-
8	Copper joint 3/4"PT×□25	BH12030401510
9	Copper joint 1"PT	BH12012500010
10	Y type water strainer 1"PT *	YW57010000000
11	Pump TD32-32/2(for 50Hz)	YM20323200000
12	Pump TD32-38/2(for 60Hz)	YM20323800000
13	Fixing board of wire clamps	-
14	Big hinge CL219-1	YW06219100000
15	EGO assembly *	BH90115000050
16	Flange gasket **	-
17	Heating tank component	-
18	Hot water by-pass pipe	-
19	High/low pressure switch HLP830HME *	YE90832500000

* means possible broken parts. ** means easy broken part. and spare backup is suggested.

Please confirm the version of manual before placing the purchase order to guarantee that the item number of the spare part is in accordance with the real object.

31. Heating Tank Parts Assembly(STM-3650WF)



Remarks: Please refer to material list 32 for specific explanation of the Arabic numbers in parts drawing.

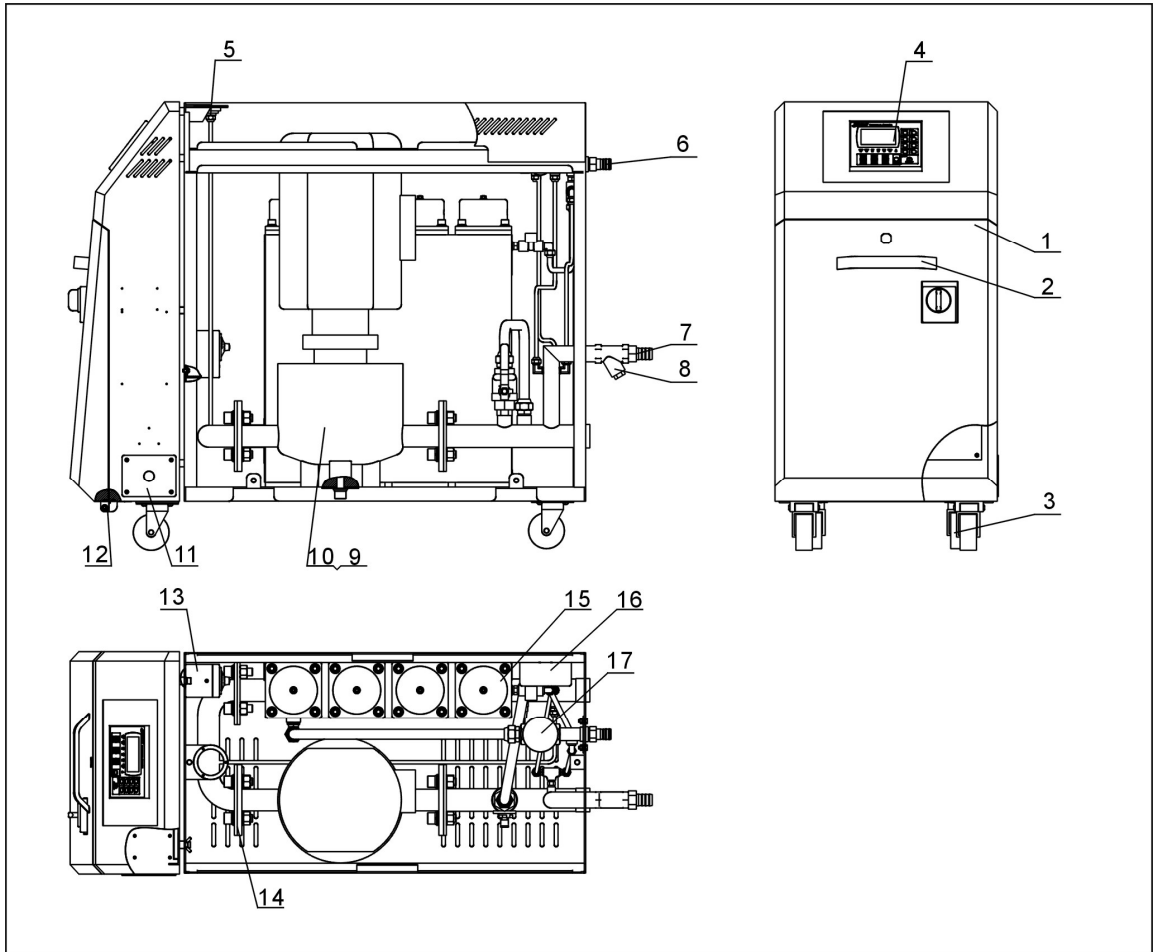
32. Heating Tank Parts List (STM-3650WF)

No.	Name	Parts No.
1	Hexagon nut M6	YW64000600300
2	Flat gasket 6x13x1.0mm	YW66061300000
3	Tonflon pipe connector 3/4"PT×3/4"H(L type)	YW04030400000
4	Thermocouple	BE90341500050
5	Tonflon pipe connector 1/4"PT×1/4"H	BH12010400410
6	Tonflon pipe connector 3/8"PT×3/8"H(L type)	YW04030800300
7	Solenoid valve *(Airtec)	YE32331000000
8	Copper joint 3/8" L type	YW04030800100
9	inner hexagon socket cap screw M10x25	YW61102500000
10	Spring washer 10	YW65010000000
11	Flat gasket	YW66102500000
12	Graphite washer 120×120×2.0 **	YR20121200000
13	Heating tank	-
14	Heating pipe cover	BL80091000120
15	Heating pipe group (12kW)	BH70122000850
16	Tonflon pipe connector 1/2"PT×1/2"H	BH12121200610

* means possible broken parts. ** means easy broken part. and spare backup is suggested.

Please confirm the version of manual before placing the purchase order to guarantee that the item number of the spare part is in accordance with the real object.

33. Assembly Drawing (STM-4875WF)



Remarks: Please refer to material list 34 for specific explanation of the Arabic numbers in parts drawing.

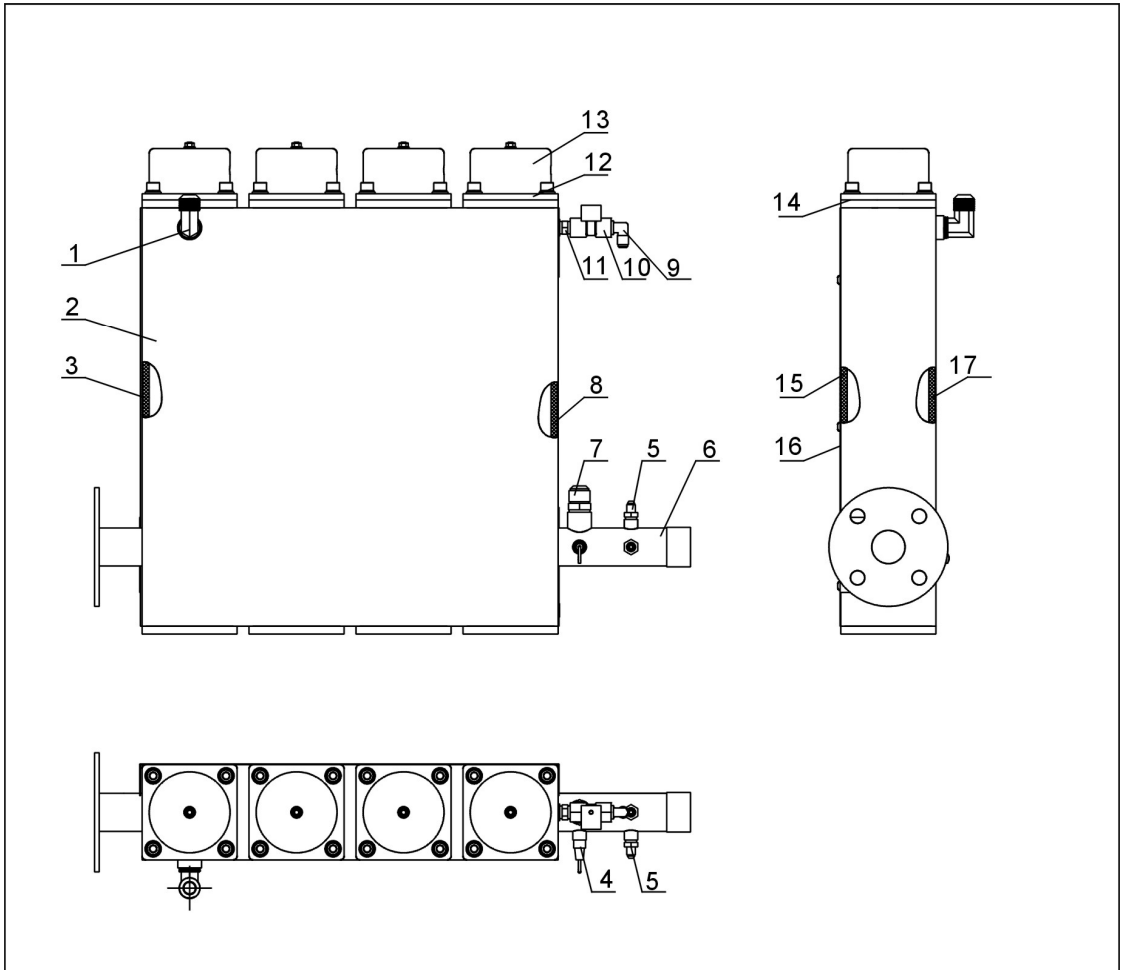
34. Parts List (STM-4875WF)

No.	Name	Parts No.
1	Control box	-
2	Aluminum handle of door plank(Ya Xuan)	YW20660900100
3	Movable castor 3"	YW03000300000
4	Han Rong controller MT100-01	YE81100010000
5	Pressure gauge 0-10KG	YW85015000100
6	Copper joint 3/4"PT×□25	BH12030401510
7	Copper joint 1"PT	BH12012500010
8	Y type water strainer 1"PT *	YW57010000000
9	Pump TD40-36/2 (for 50Hz)	YM20403600000
10	Pump TD40-35/2 (for 60Hz)	YM20403500000
11	Fixing board of wire clamps	-
12	Big hinge CL219-1	YW06219100000
13	EGO assembly*	BH90115000050
14	Flange gasket **	-
15	Heating tank component	-
16	High/low pressure switch HLP830HME *	YE90832500000
17	Drainage pipe 1	-

* means possible broken parts. ** means easy broken part. and spare backup is suggested.

Please confirm the version of manual before placing the purchase order to guarantee that the item number of the spare part is in accordance with the real object.

35. Heating Tank Parts Diagram (STM-4875WF)



Remarks: Please refer to material list 36 for specific explanation of the Arabic numbers in parts drawing.

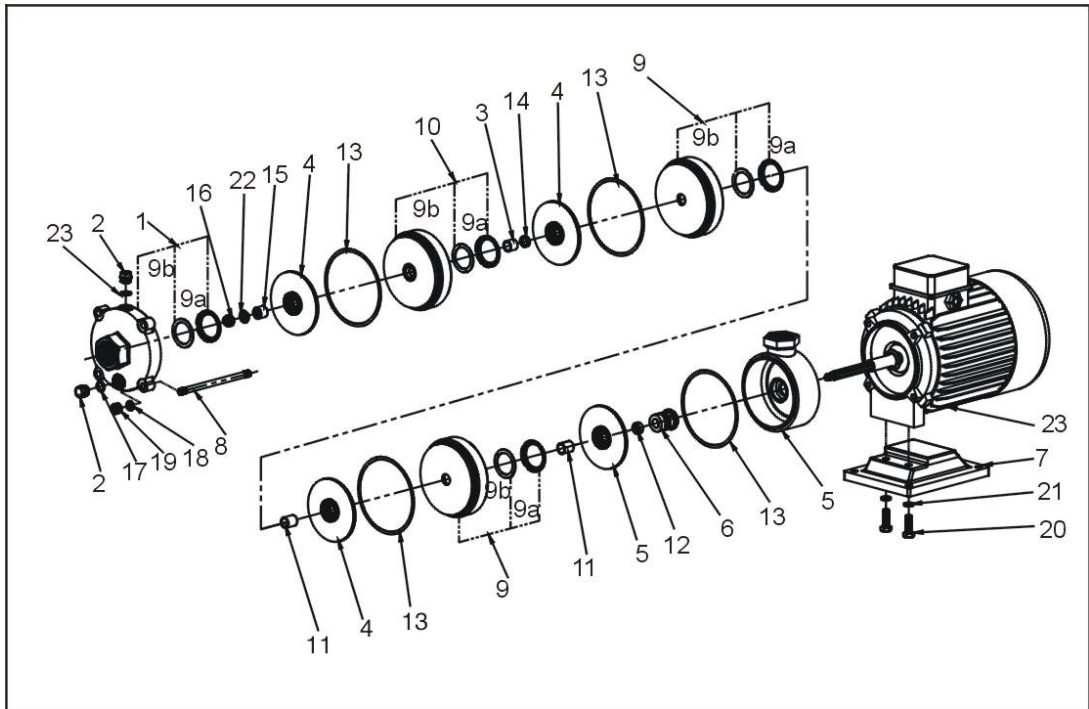
36. Heating Tank Parts List (STM-4875WF)

No.	Name	Parts No.
1	Hexagon nut M6	YW64000600300
2	Flat gasket 6x13x1.0mm	YW66061300000
3	Tonflon pipe connector 3/4"PT×3/4"H (L type)	YW04030400000
4	Thermocouple	BE90341500050
5	Tonflon pipe connector 1/4"PT×1/4"H	BH12010400410
6	Heating tank	-
7	Tonflon pipe connector 1/2"PT×1/2"H	BH12121200610
8	Tonflon pipe connector 3/8"PT×3/8"H(L type)	YW04030800300
9	Solenoid valve (Airtec)*	YE32203000900
10	Copper joint 3/8"	BH12030800110
11	Heating pipe group (12kW)	BH70122000850
12	Heating pipe cover	BL80091000120
13	Inner hexagon socket cap screw M10x25	YW61102500000
14	Spring washer 10	YW65010000000
15	Flat gasket 10x25x1.5mm	YW66102500000
16	Graphite washer 120×120×2.0 **	YR20121200000

* means possible broken parts. ** means easy broken part. and spare backup is suggested.

Please confirm the version of manual before placing the purchase order to guarantee that the item number of the spare part is in accordance with the real object.

37. Pump



- | | | |
|---------------------------|--------------------------------|----------------------------|
| 1. Inlet water body | 2. End cap | 3. Wear-resistant sleeve |
| 4. Impeller | 5. Outlet water body | 6. Mechanical seal |
| 7. Base | 8. Draw bar | 9. Guide vane |
| 9a. Choma cover | 9b. Choma | 10. Guide vane for support |
| 11. Impeller spacer | 12. Spacer | 13. Sealing gasket |
| 14. Impeller short spacer | 15. First-level impeller gland | 16. Locknut |
| 17. O-ring | 18. Elastic washer | 19. Nut |
| 20. Bolt | 21. Elastic washer | 22. Washer |
| 23. Motor | | |