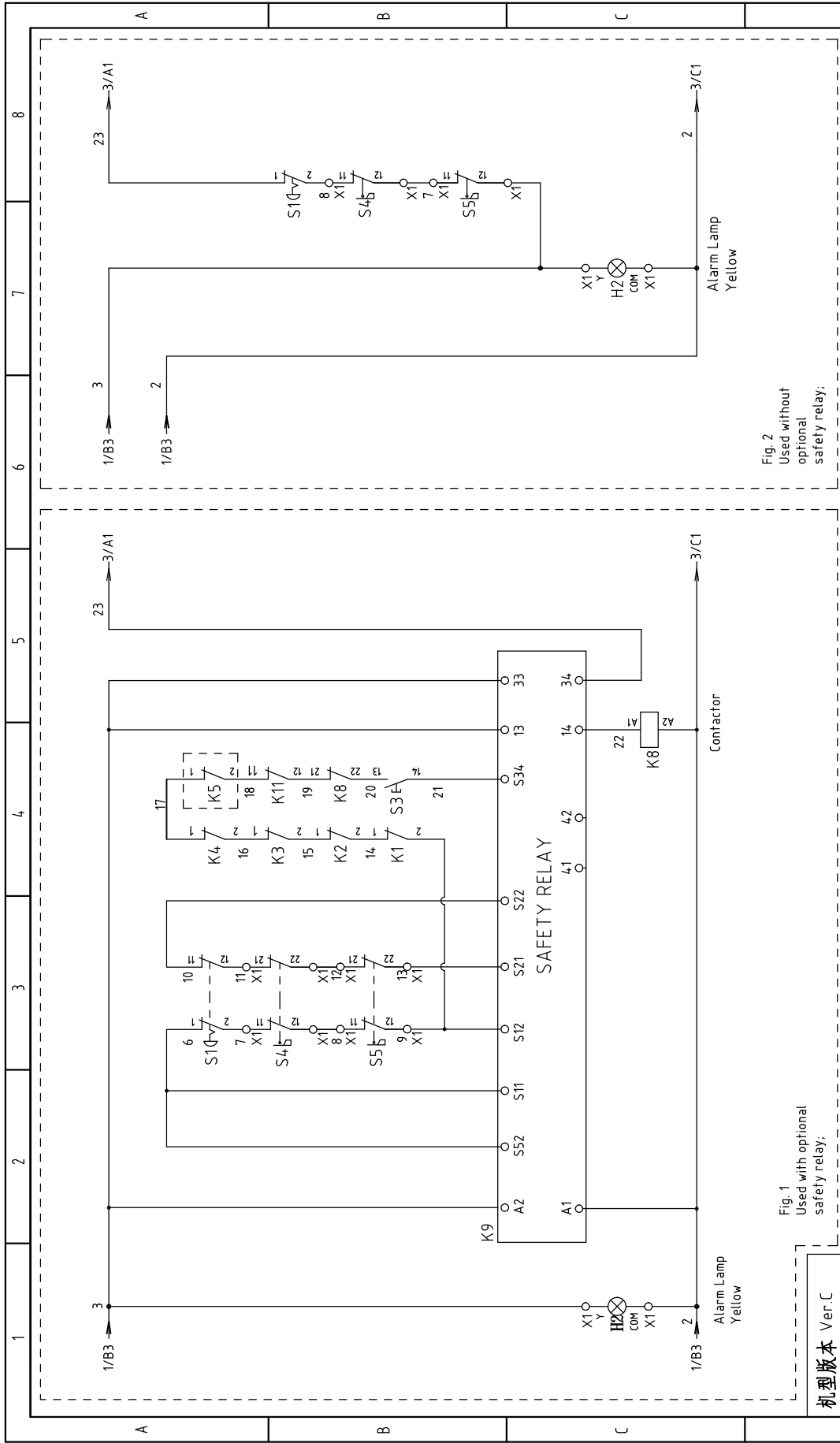


机型版本 Ver.C

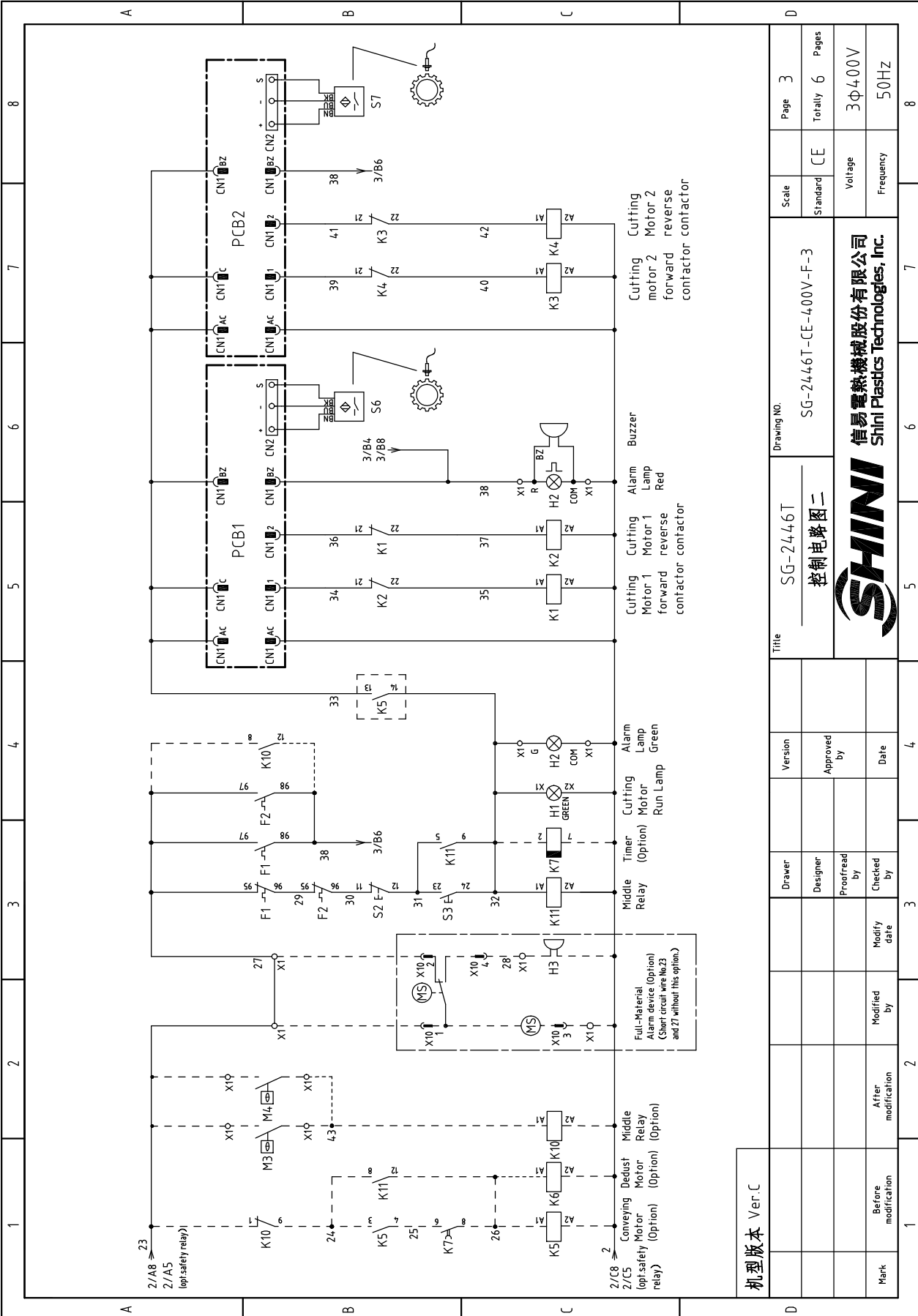
Mark	Before modification	After modification	Modified by	Modify date	Checked by	Date	20210615
Designer		Proofread by	Approved by				
Version	F						
Drawer							
Title	SG-2446T		SG-2446T-CE-400V-F-1		Drawing NO.		
Scale		Standard	CE	Totally	6	Page	1
Mark	Before modification	After modification	Modified by	Modify date	Checked by	Date	20210615
Voltage	3φ400V		Frequency				
Frequency	50Hz						





机型版本 Ver.C

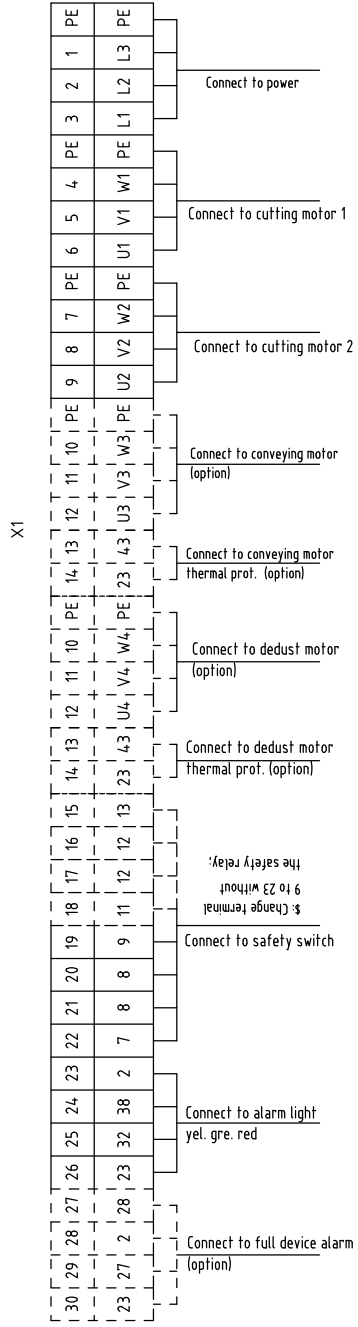
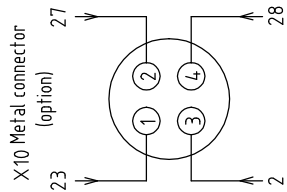
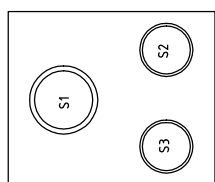
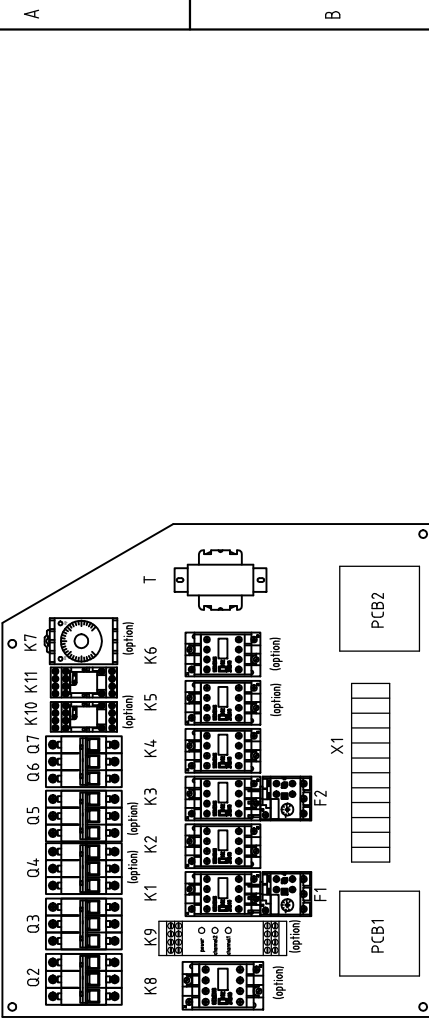
1	2	3	4	5	6	7	8
Title		Version		F		Page 2	
SG-2446T		Control Circuit Diagram		SG-2446T-CE-4.00V-F-2		Totally 6 Pages	
Drawing NO.		Approved by		Voltage		3Φ4.00V	
SHINI		Date		Frequency		50HZ	
信易電熱機械股份有限公司		20210615					
Shini Plastics Technologies, Inc.		Checked by					
Mark		Modified by					
Before modification		Modify date					
After modification							
1		2		3		4	
1		2		3		4	



机版本 Ver.C		Title SG-2446T 控制电路图二		Drawing NO. SG-2446T-CE-400V-F-3		Page 3	
		Version		Standard CE		Totally 6 Pages	
Rank		Modified by		Checked by		Voltage 3Φ400V	
Before modification		After modification		Proofread by		Frequency 50Hz	
1		2		3		4	
5		6		7		8	

SHINI
信易电热机械股份有限公司
Shini Plastics Technologies, Inc.

1 2 3 4 5 6 7 8



机型版本 Ver.C		Title		Drawing NO.		Page	
		SG-2446T		SG-2446T-CE-4.00V-F-4		4	
电气元件布置图		Version		Standard		Totally	
		F		CE		6	
Approved by		Checked by		Voltage		3φ400V	
Date		Modify date		Frequency		50HZ	
Mark		Modified by				8	



1		2		3		4		5		6		7		8	
NO.	Symbol	Name	Manufacturer	Type	Specification	Number	Material number	Remark							
1	Q1	Main power switch	MOELLER	TO-2-1/EA/SVB	20A	1	YE1002160000	(1)							
2	Q2 Q3	Circuit breakers	TECO	BM-63C/3P	10A	2	YE40301003000								
3	Q4	Circuit breakers	TECO	BM-63C/3P	6A	1	YE40300603000	(2)							
4	Q5	Circuit breakers	TECO	BM-63C/3P	6A	1	YE40300603000	(3) New							
5	Q6	Circuit breakers	TECO	BM-63C/2003S 2P	3A	1	YE40200203000								
6	Q7	Circuit breakers	TECO	BM-63C/1003S 1P	3A	1	YE40100203000								
7	K1 K2 K3 K4	Contactors	SIEMENS	3RT6016-1AB02	24VAC 50/60Hz	4	YE00601602600								
8		Auxiliary contact	SIEMENS	3RH6911-1HA11	1NC+1NO	4	YE00691100100	(5)							
9	K5	接触器/Contactors	SIEMENS	3RT6016-1AB01	24VAC 50/60Hz	1	YE00601602500	(2) Cancel							
10	K5	Contactors	SIEMENS	3RT6015-1AB01	24VAC 50/60Hz	1	YE00601502500	(2) New							
11		Auxiliary contact	SIEMENS	3RH6911-1HA11	1NC+1NO	1	YE00691100100	(2)							
12	K6	Contactors	SIEMENS	3RT6015-1AB01	24VAC 50/60Hz	1	YE00601502500	(3) New							
13	K7	Timer relay	YUYUN	TRF-N	24VAC	1	YE86032400000	(2)(3)New							
14	K8	Contactors	SIEMENS	3RT6018-1AB02	24VAC 50/60Hz	1	YE00601802600	(5)							
15	K9	Safety relay	PILZ	PN0Z X2.8P	24VAC/DC	1	YE04023000000	(5)							
16	K10	Middle relay	HoneyWell	GR-2C-AC24V	24VAC	1	YE03022400300	(2)(3)New							
17	K11	Middle relay	HoneyWell	GR-4C-AC24V	24VAC	1	YE03042400300								
18	F1 F2	Thermal overload relay	SIEMENS	3RU6116-1GB0	4.5-6.32A	2	YE01160450000								
19	T	Transformer	BAIYUN	IN=400V/415V OUT=24V	120VA	1	YE70040006600								
20	PCB1 PCB2	Microcomputer/PCB	YUYUN	AC-01	24VAC	2	YE80012400600								
21	X1	Terminal board	HoneyWell	SK2.5	2.5mm ²	17	YE60002503200								
22			HoneyWell	GK2.5 PE	2.5mm ² PE	3	YE60002503400								
23			HoneyWell	SK2.5	2.5mm ²	5	YE60002503200	(2)							
24			HoneyWell	GK2.5 PE	2.5mm ² PE	1	YE60002503400	(2)							
25			HoneyWell	SK2.5	2.5mm ²	5	YE60002503200	(3)New							

机型版本	Ver.C	Notes:(1)Materials not in the control box.(2)Conveying blower assembly;(3)Dedust blower assembly;(4) Full- material alarm options;(5) Safety relay accessories;															
Title		SG-2446T		Drawing NO		SG-2446T-CE-400V-F-5		Scale		Standard		CE		Page		5	
电气元件明细表一														Totally		6	
SHINI		信易电热机械股份有限公司		Shini Plastics Technologies, Inc.				Voltage		3Φ4.00V		Frequency		50Hz		8	
Mark	Before modification	Modified by	Modify date	Checked by	Date	Proofread by	Approved by	Version									

