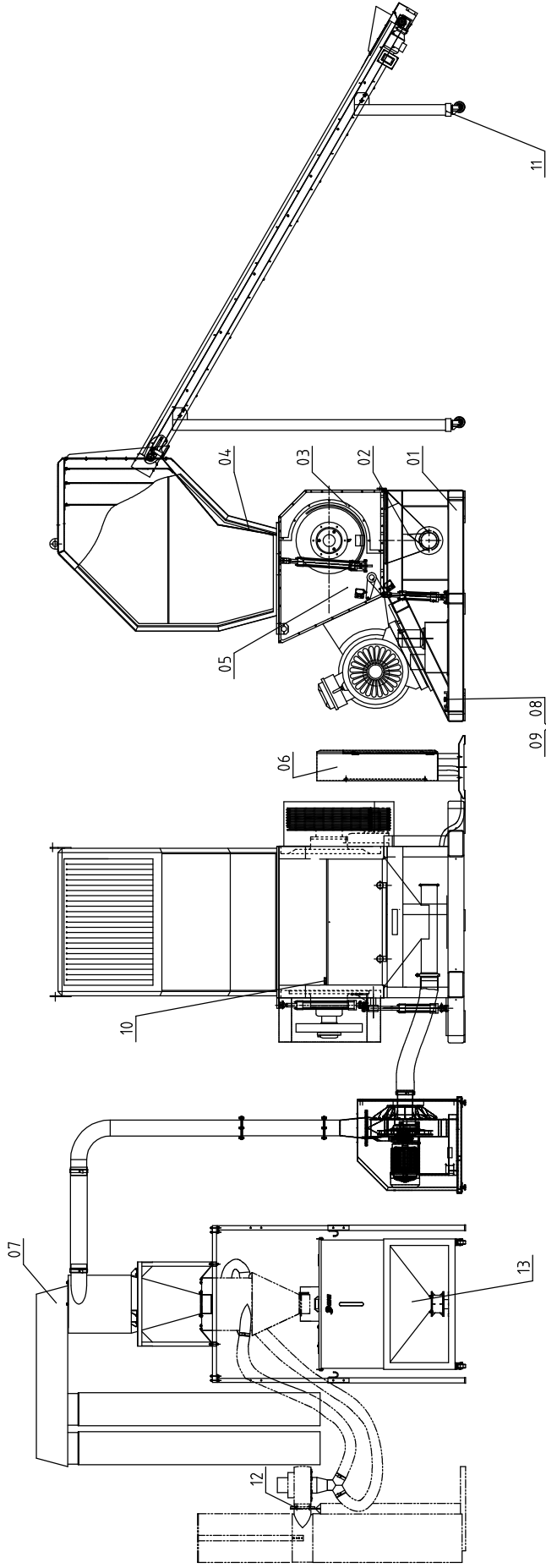


15	Material storage tank MST-500	BY60050000650
14	Dust separator assembly	-
13	belt conveyor	-
12	Safety switch board	-
11	Feed separating assembly	-
10	Sound-proof cover-plate device	-
9	Sound-proof box assembly	-
8	Star knob B M8×35	YR4.00835.00000
7	Presetting knife jig	-
6	Control box	-
5	Lifting device	-
4	Feeding box assembly	-
3	Cutting chamber assembly	-
2	Screen bracket assembly	-
1	Rack assembly	-

No.		Parts		Material No.	
Drawing NO.		Scale		Quantity	1
Title		SG-70		Material	
System Structure Drawing				Surface requirement	
Version		Approved by		Date	
Drawer		Designer		Prefread by	
Modified by		Modify date		Checked by	
Before modification		After modification		Mark	

SHINI
信易电热机械股份有限公司
Shini Plastics Technologies, Inc.

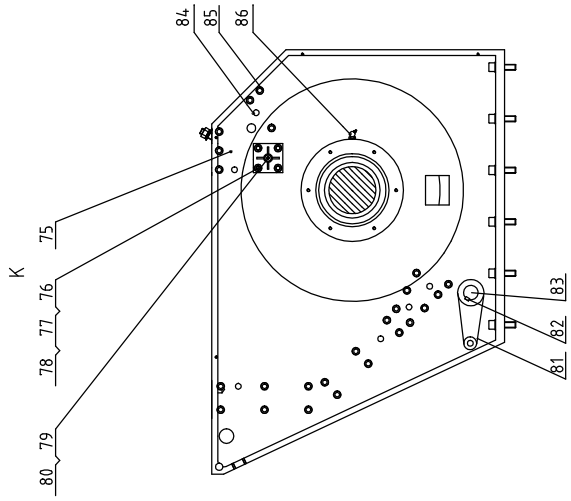
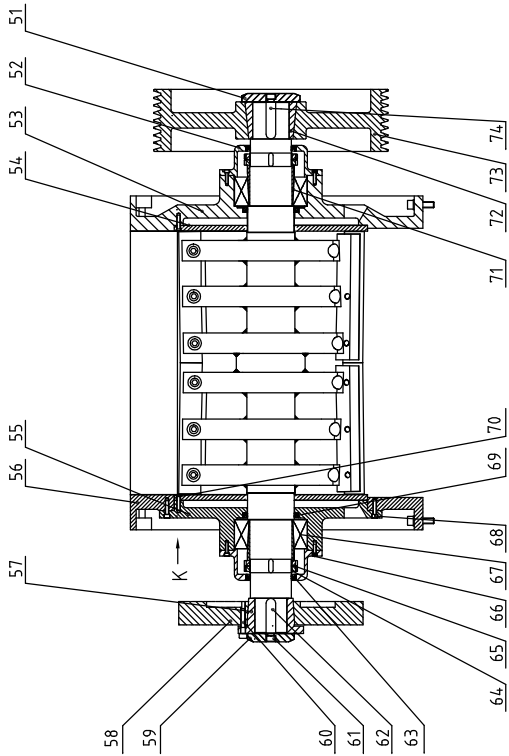
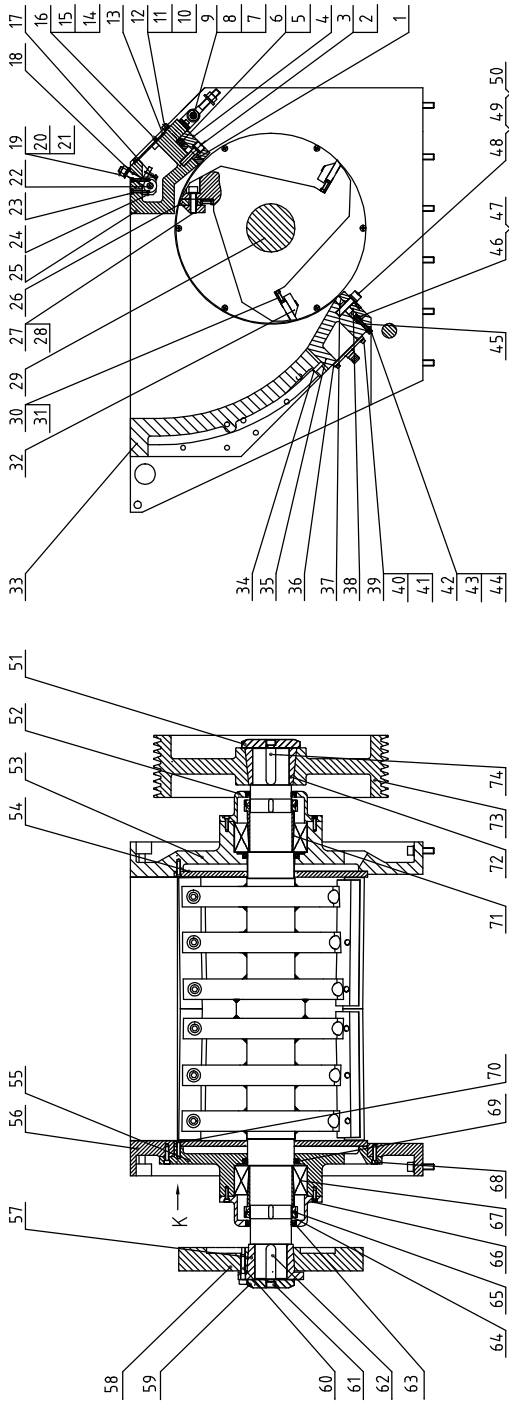


13	Material storage tank MST-500	BY60050000650
12	Dust separator assembly	-
11	belt conveyor	-
10	Safety switch board	-
9	Sf ar knob B M8x35	YR4,008350000
8	Presetting knife jig	-
7	Feed separating assembly	-
6	Control box	-
5	Lifting device	-
4	Feeding box assembly	-
3	Cutting chamber assembly	-
2	Screen bracket assembly	-
1	Rack assembly	-

No.	Name	Part's No.
Quantity	Scale	1
Material	Surface requirement	
Material No.		

Title		SG-70B		Version	
System Structure Drawing				Approved by	
Drawer	Designer	Proofread by	Checked by	Modify date	After modification
Mark	Before modification	Modified by	Modify date	Checked by	Date

SHINI
 信易電熱機械股份有限公司
 Shini Plastics Technologies, Inc.



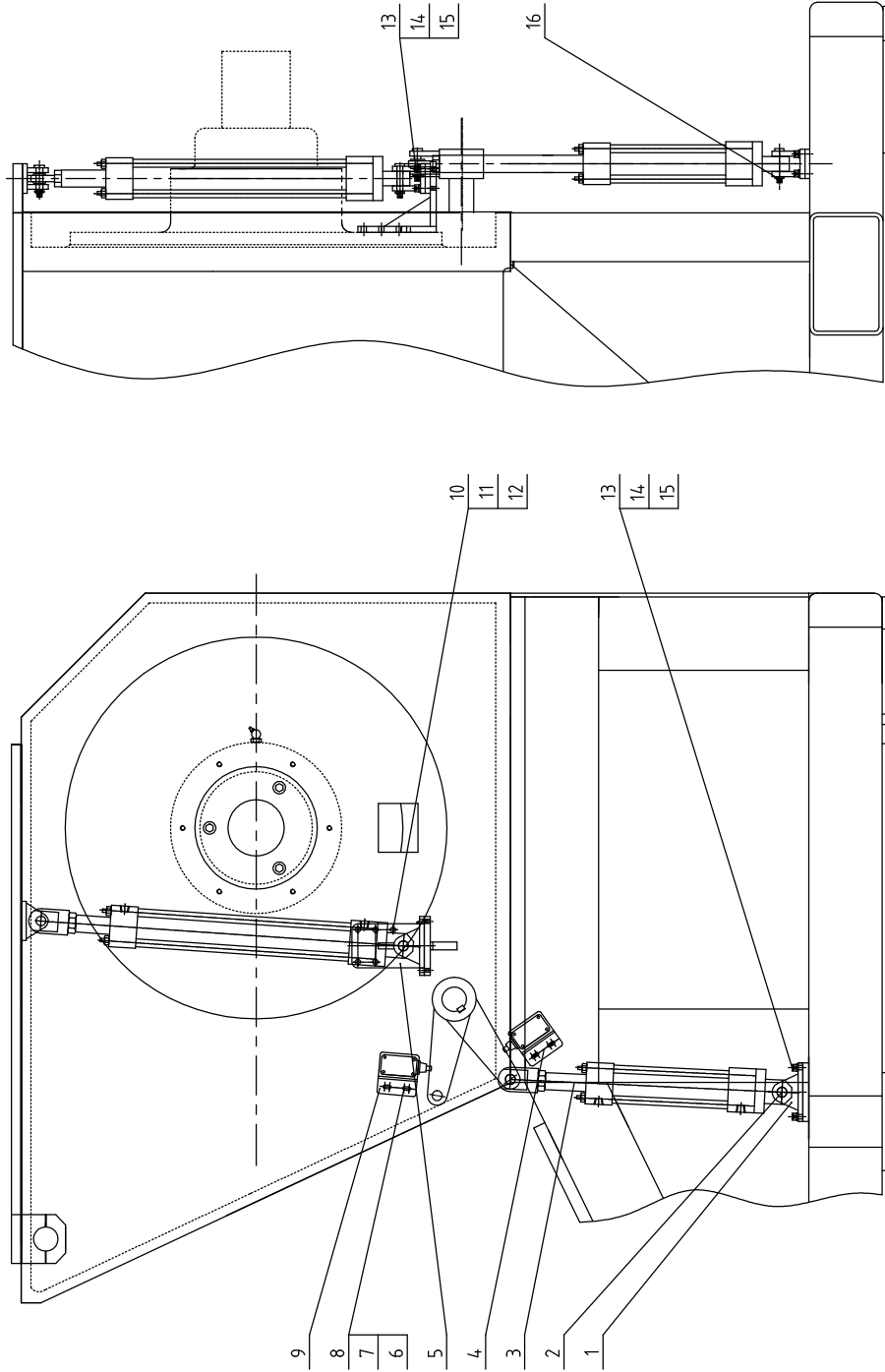
Quantity	1
Material	
Scale	
Surface requirement	
Material No.	
Drawing NO.	
Title	SG-70 Cutting chamber assembly
Version	
Drawer	
Designer	
Proofread by	
Checked by	
Approved by	
Date	
Modify date	
Modified by	
After modification	
Before modification	
Mark	

SHINI
信易電熱機械股份有限公司
Shini Plastics Technologies, Inc.

		SG-7090(B)		SG-70120(B)		SG-7090(B)		SG-70120(B)	
86	Connector forced filling oil cup 45° M10X1	YW04.0101000000	YW04.0101000000	YW04.0101000000	4.2	Inner hexagon cylindrical screw GB/T70.1 M10x9-19.9-Longzine	YW611095000000	YW611095000000	SG-70120(B)
85	Inner hexagon cylindrical screw GB/T70.1 M10x9-19.9-Longzine	YW611670000000	YW611670000000	4.1	Standard spring washer GB/T193 10-Longzine	YW650100000000	YW650100000000	YW650100000000	
84	Female column pin			4.0	Flat gasket A GB/T197.1 10H1X20X3-Longzine	YW661020000000	YW661020000000	YW661020000000	
83	Screen bracket shaft pin	BH11790500110	BH10701205010	39	Inner hexagon cylindrical screw GB/T70.1 M10X10-10.9-Longzine	YW61104.0002000	YW61104.0002000	YW61104.0002000	
82	Single round head common flat key	BH10070122010	BH10070122010	38	Fixed blade pressing blade II	BW30709002210	BW30701202210	BW30701202210	
81	Screen bracket rotating arm	BH10701204010	BH10701204010	37	Water tank cover plate	YW42709009000	YW42709009000	YW42709009000	
80	Standard spring washer GB/T193 10-Longzine	YW650100000000	YW650100000000	36	Rear lower block	BH10794200010	BH10794200010	BH10794200010	
79	Large washer A Grade GB/T196 10H1.5x26x2.9-Longzine	YW661032000000	YW661032000000	35	Inner hexagon cylindrical screw GB/T70.1 M10X10-10.9-Longzine	BW30709002610	BW30701202610	BW30701202610	
78	Feeding box limiting plate fixed base	BH10701215410	BH10701215410	34	Rear upper block	YW612600000000	YW612600000000	YW612600000000	
77	Standard spring washer GB/T193 10-Longzine	YW650120000000	YW650120000000	33	Rotating blade presser plate	BH10701430020	BH10701430020	BH10701430020	
76	Feeding box limiting plate	YW661224.000000	YW661224.000000	32	Hexagon nut GB/T16170 M10-Longzine	BW30709002710	BW30709002710	BW30709002710	
75	Single round head common flat key C32x126	BL55701203540	BL55701203540	31	Hexagon nut GB/T15193 M10X50-8.8-Longzine	YW64.001000100	YW64.001000100	YW64.001000100	
74	Single round head common flat key C32x126	BH10704550010	BH10704550010	30	Blade shaft	YW601050000000	YW601050000000	YW601050000000	
73	Belt pulley SFC800x8	YW308008000000	YW308008000000	29	Standard spring gasket GB/T193 20	BH10792100010	BH10792100010	BH10792100010	
72	Belt pulley taper sleeve 5050 ø125	YW30505012500	YW30505012500	28	Inner hexagon cylindrical screw GB/T70.1 M10X80-12.9-Longzine	BH10702000000	BH10702000000	BH10702000000	
71	Dismantling sleeve AH24180 for rolling bearing M12x30-10.9-Longzine	YW1924.13000000	YW1924.13000000	27	Rolling blade	YW612080000000	YW612080000000	YW612080000000	
70	Inner hexagonal sunk screw GB/T70.1 M12x30-10.9-Longzine	YW611230000100	YW611230000100	26	Front block	YW42709000200 left	YW42709000200 left	YW42709000200 left	
69	Inner framework rotary shaft lip seals	YR20161901500	YR20161901500	25	Fastening bolt base	BW30709002510	BW30709002510	BW30709002510	
68	Inner hexagon cylindrical screw GB/T70.1 M10X35-19.9-Longzine	YW611245.000000	YW611245.000000	24	Inner hexagon cylindrical screw GB/T70.1 M10X50-12.9-Longzine	BH10701201110	BH10701201110	BH10701201110	
67	MSK self-aligning roller bearing 24190CK30W33 GB/T70.1 M12x45-12.9-Longzine	YW1124.13000000	YW1124.13000000	23	Locking bolt hinge pin	YW610850000000	YW610850000000	YW610850000000	
66	Inner hexagon cylindrical screw GB/T70.1 M10X35-19.9-Longzine	YW611035000000	YW611035000000	22	Standard spring gasket GB/T193 20-Longzine	YW652052000000	YW652052000000	YW652052000000	
65	Round nut lock washer GB/T898 14	YW650114500000	YW650114500000	21	Flat washer C grade GB/T193 20	YW662037000000	YW662037000000	YW662037000000	
64	Small round nut GB/T810 M14x52-4.5 steel	YW64.1452000000	YW64.1452000000	20	C grade hexagon nut GB/T41 M20X2.5-Longzine	YW64.2002000000	YW64.2002000000	YW64.2002000000	
63	Inner framework rotary shaft lip seals	YR2014.01000000	YR2014.01000000	19	Feeding box locking bolt	BH10070150040	BH10070150040	BH10070150040	
62	Single round head common flat key M12x30-10.9-Longzine	YW612050000000	YW612050000000	18	Sensor bracket	YW650600000000	YW650600000000	YW650600000000	
61	Inner hexagon cylindrical screw GB/T70.1 M16x16-19.9-Longzine	YW611670000000	YW611670000000	17	Standard spring gasket GB/T193 6	YW650600000000	YW650600000000	YW650600000000	
60	Inner hexagon cylindrical screw GB/T70.1 M16x16-19.9-Longzine	BH10701202610	BH10701202610	16	Flat washer A grade GB/T197.1 616X16X3	YW660613000000	YW660613000000	YW660613000000	
59	Flywheel taper sleeve	BW30509003010	BW30509003010	15	Inner hexagon cylindrical screw GB/T70.1 M16X16-16.9-Longzine	YW61061601200	YW61061601200	YW61061601200	
58	Flywheel	BW30509003010	BW30509003010	14	Front block cover plate	YW650100000000	YW650100000000	YW650100000000	
57	Flywheel taper sleeve	BW30509002910	BW30509002910	13	Standard spring gasket GB/T193 10-Longzine	YW650100000000	YW650100000000	YW650100000000	
56	Left block	BH11701206010	BH11701206010	12	Flat washer A grade GB/T197.1 616X16X3	YW660613000000	YW660613000000	YW660613000000	
55	Left bearing base	BH10701299010	BH10701299010	11	Inner hexagon cylindrical screw GB/T70.1 M16X16-16.9-Longzine	YW650100000000	YW650100000000	YW650100000000	
54	Left and right material feeder	BH10701202342	BH10701202342	10	Electric ring for axes use GB/T 894.1 (6.3-10.9-Longzine)	YW690021000000	YW690021000000	YW690021000000	
53	Right block	BH11701206110	BH11701206110	9	Hinge pin	BH11701216040	BH11701216040	BH11701216040	
52	Bearing cover	BH10701600010	BH10701600010	8	Star screw	BH11701216140	BH11701216140	BH11701216140	
51	Belt wheel taper sleeve baffle	BH10701202010	BH10701202010	7	Hexagon nut GB/T16170 M10-Longzine	YW64.001000100	YW64.001000100	YW64.001000100	
50	Standard spring washer GB/T193 20	YW650200000000	YW650200000000	6	Hexagon bolt GB/T15193 M10X10-10.9-Longzine	YW60104.00000000	YW60104.00000000	YW60104.00000000	
49	Flat gasket GB/T 95 2022x21x3-A2-70(SUS)	YW690001600000	YW690001600000	5	Fixing blade pressing plate I	BW30709002210	BW30701202210	BW30701202210	
48	Inner hexagon cylindrical screw GB/T70.1 M16x16-19.9-Longzine	YW612080000000	YW612080000000	4	Standard spring gasket GB/T193 20	YW650200000000	YW650200000000	YW650200000000	
47	Hexagon bolt GB/T16170 M10-Longzine	YW64.0010001000	YW64.0010001000	3	Inner hexagon cylindrical screw GB/T70.1 M16X80-19.9-Longzine	YW612080000000	YW612080000000	YW612080000000	
46	Inner hexagon flat end locking screw GB/T70.1 M16x16-19.9-Longzine	YW60104.00000000	YW60104.00000000	2	Standard spring washer GB/T193 10-Longzine	YW42709009000	YW42709009000	YW42709009000	
45	Inner hexagon flat end locking screw GB/T71 M12X14-8.8	YW61124.000100	YW61124.000100	1	Fixing blade	YW42709009000	YW42709009000	YW42709009000	
44	Standard spring washer GB/T193 10-Longzine	YW650100000000	YW650100000000	No.	Part's				
43	Flat gasket A GB/T197.1 10H1X20X3-Longzine	YW66102000100	YW66102000100		Material No.				

Mark	Before modification	After modification	Modify date	Modify by	Checked by	Proofread by	Approved by	Version	Title		Drawing NO.	Scale	Quantity	Material	Surface requirement	Material No.	
									SG-70	Cutting chamber assembly							





16	Flat washer GB/T 96 8(8.4×2.4×2)-A2-70(SUS)	YW6824.0200000
15	Standard spring gasket GB/T93 8-Longzine	YW65008000100
14	Flat washer A grade GB/T97.1 8-Longzine	YW66081600000
13	Inner hexagon cylindrical screw GB/T701TMBX 30-12.9-Longzine	YW67083000000
12	Standard spring gasket GB/T93 10-Longzine	YW65010000000
11	Flat washer A grade GB/T97.1 TMTX20X 20-Longzine	YW66102000100
10	Inner hexagon screw M10X35/12.9 grade	YW60135900000
9	Fixing plate of upper limit switch	-
8	Standard spring gasket GB/T93 6	YW65060000000
7	Flat washer A grade GB/T97.1 6(6×2)X 16-12.9-Longzine	YW66061300000
6	Standard spring gasket GB/T701TMBX 16-12.9-Longzine	YW67061601200
5	Electric handspike base	-
4	Fixing plate of lower limit switch	-
3	Liquid pressure system	-
2	Oil cylinder hinge pin	-
1	Oil cylinder lower base	-

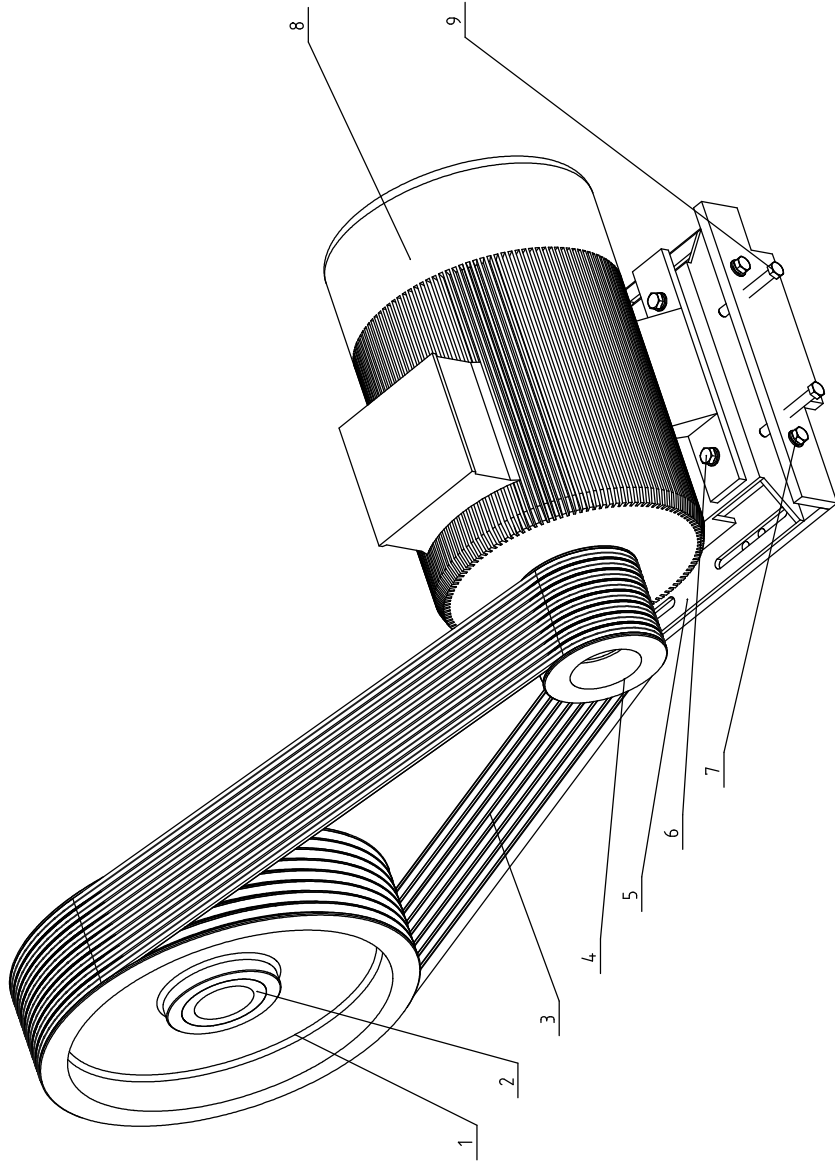
No.	Parts	Material No.
Scale	Quantity	1
Surface requirement	Material	
Material No.		

Version	Version	Version	Version
Approved by	Approved by	Approved by	Approved by
Date	Date	Date	Date
Checked by	Checked by	Checked by	Checked by
Modify date	Modify date	Modify date	Modify date
Mark	Before modification	After modification	Mark

Title: SG-70 Lifting device



信易电热机械股份有限公司
Shini Plastics Technologies, Inc.



No.	Part's No.	Material No.	Scale	Quantity
9	Hexagon bolt GB/T5783 M20x160-L29.5-Longline,full-thread.	YW61201600000	YW61201600000	1
8	Motor W20 /TSKW/98KW-LP B3T E3 400/690/460V	YM10208000300	YM10209000400	
7	Z level hexagon nut GB/T141 M20x2.5-Longline	YW64200200000	YW64200200000	
6	Hexagon bolt GB/T5782 M20x100-8.8-Longline	YW60201000000	YW60201000000	
5	Motor base	-	-	
4	Belt pulley SPC2Z4X8	YW30224800000	YW30224800000	
3	Narrow V belt SPC L=4250	YR00425000000	YR00425000000	
2	Belt pulley sleeve 5050 φ125	YW30505012500	YW30505012500	
1	Belt pulley SPC800X8	YW30800800000	YW30800800000	

Mark	Before modification	After modification	Modified by	Modify date	Checked by	Drawer	Version	Date

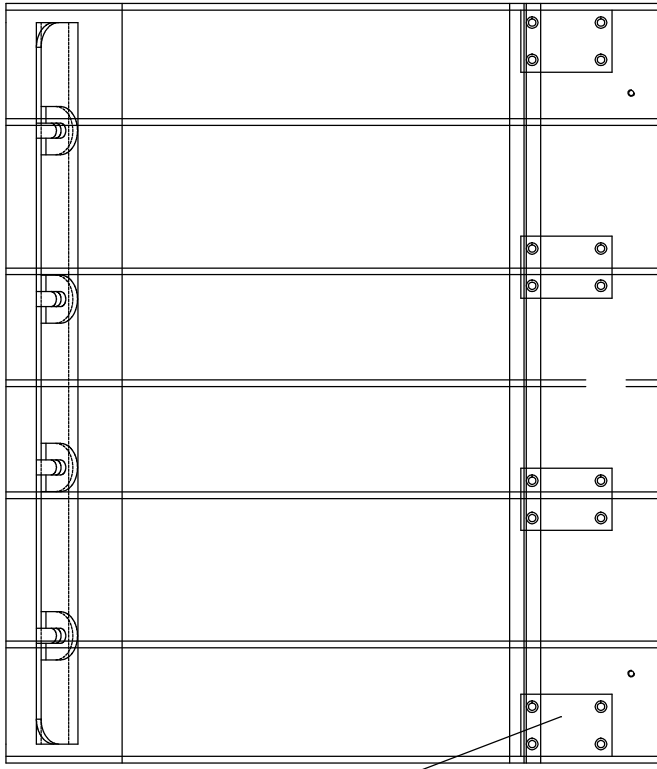
Title	Scale	Quantity
SG-70 Transmission device		1

Approved by	Date

Approved by	Date

Surface requirement	Material No.

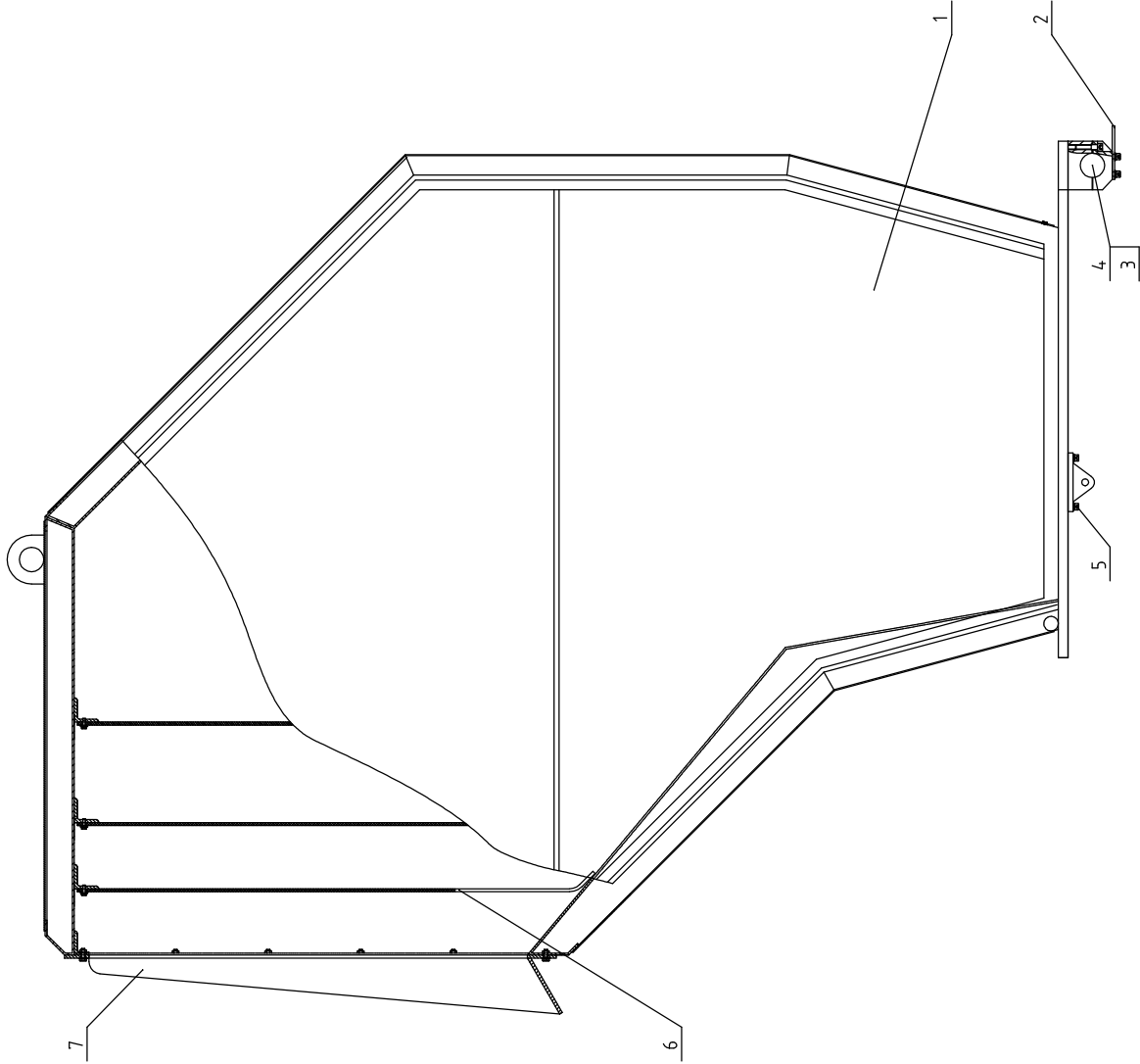
SHINI 信易电热机械股份有限公司
Shini Plastics Technologies, Inc.



No.	Part's	Material No.
12	Screen bracket hinge pin hole base	BH11701206710
11	Flat washer A grade GB/1971.8-Longzine	YW66081600000
10	Standard spring gasket GB/T93.8-Longzine	YW65008000100
9	Standard spring gasket GB/T93.8-Longzine	YW65008000100
8	Hinge pin hole base presser plate of screen bracket	BH11701206610
7	Screen bracket rear presser plate	-
6	Screen bracket rear fender	-
5	Flat washer A grade GB/1971.6-Longzine	YW66641216000
4	Standard spring gasket GB/T93.6	YW65060000000
3	Inner hexagon cylindrical screw GB/T701.1Hex	YW61061601200
2	Screen bracket main body	-
1	Screen bracket locking support plate	-

Title		Version		Drawer		Mark	
SG-70		Drawing NO.		Screen assembly		Before modification	
Scale		Approved by		Designer		After modification	
Quantity		Checked by		Prefread by		Modified by	
Material		Date		Modify date		Mark	
Surface requirement							
Material No.							

SHINI 信易电热机械股份有限公司
Shini Plastics Technologies, Inc.

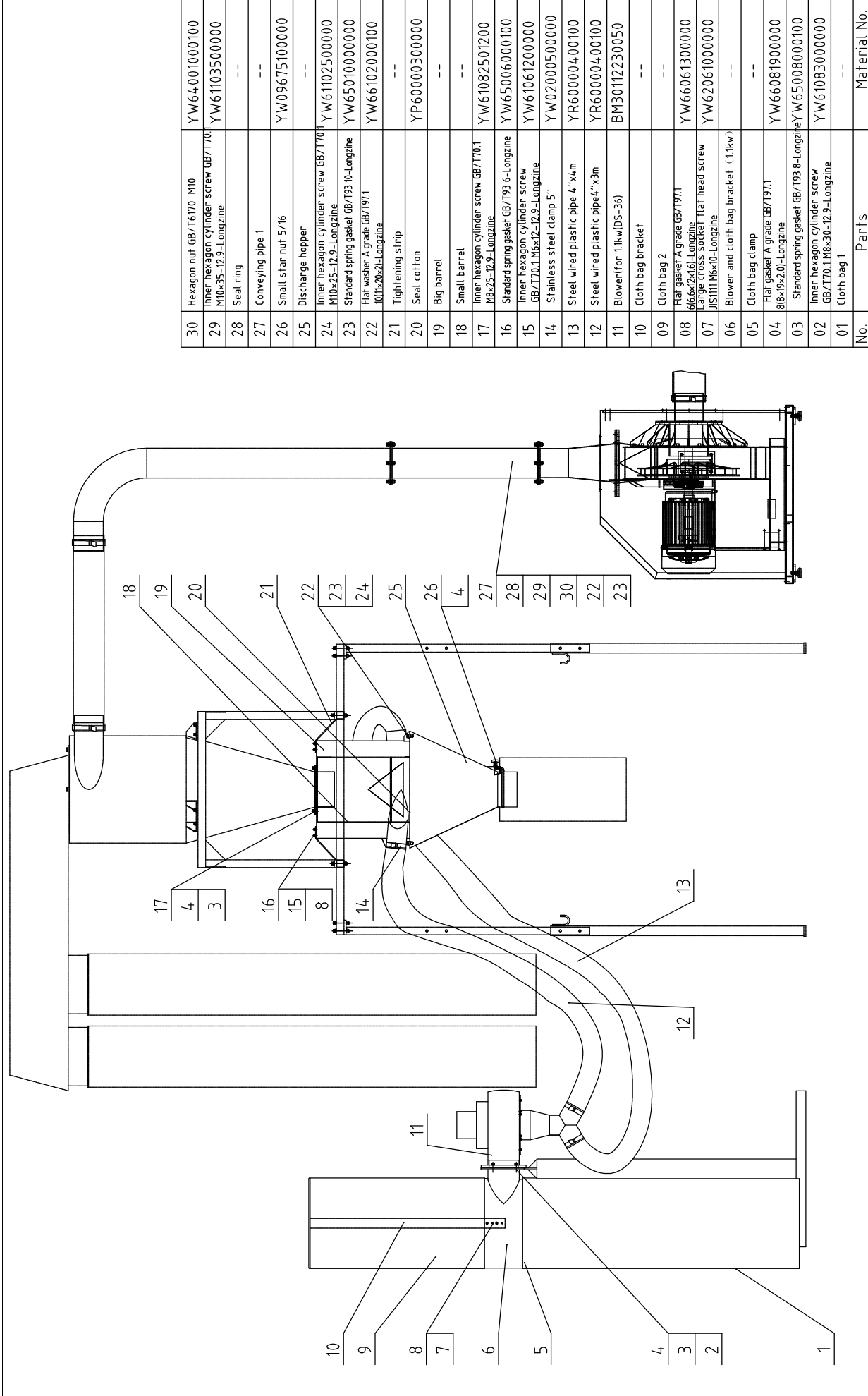


No.	Parts	SG-7090(B)	SG-70120(B)
7	Feeding port	-	-
6	Plastic chain	-	-
5	Electric handspike upper base	-	-
4	Feeding box rotation shaft	BH10790700010	BH10701225010
3	Cover plate of feeding box rotation shaft	BH10701900010	BH10701900010
2	Switch limit plate	BH10702200040	BH10702200040
1	Feeding box main body	-	-

The		Version		Approved by		Date	
SG-70							
Feed box assembly		Drawer	Designer	Proofread by	Checked by	Modified by	Modify date
Mark	Before modification	After modification	Modified by	Modify date			

SHINI 信易電熱機械股份有限公司
Shini Plastics Technologies, Inc.

Material No.	Surface requirement	Scale	Quantity
			1



No.	Parts	Material No.
30	Hexagon nut GB/T16170 M10	YW640010000100
29	Inner hexagon cylinder screw GB/T1701 M10x35-12.9-Longzine	YW611035000000
28	Seal ring	--
27	Conveying pipe 1	--
26	Small star nut 5/16	YW096751000000
25	Discharge hopper	--
24	Inner hexagon cylinder screw GB/T1701 M10x25-12.9-Longzine	YW611025000000
23	Standard spring gasket GB/T193 10-Longzine	YW650100000000
22	Flat washer A grade GB/T1971 100x20x2-Longzine	YW661020000100
21	Tightening strip	--
20	Seal cotton	YP600003000000
19	Big barrel	--
18	Small barrel	--
17	Inner hexagon cylinder screw GB/T1701 M8x25-12.9-Longzine	YW610825012000
16	Standard spring gasket GB/T193 6-Longzine	YW650060000100
15	Inner hexagon cylinder screw GB/T1701 M6x12-12.9-Longzine	YW610612000000
14	Stainless steel clamp 5"	YW020005000000
13	Steel wired plastic pipe 4"x4m	YR600004,00100
12	Steel wired plastic pipe 4"x3m	YR600004,00100
11	Blower(for 1.1kw(DS-36))	BM301122300050
10	Cloth bag bracket	--
09	Cloth bag 2	--
08	Flat gasket A grade GB/T1971 66.6x2x1.6-Longzine	YW660613000000
07	Large cross socket Flat head screw JIS1111 M6x10-Longzine	YW620610000000
06	Blower and cloth bag bracket (1.1kw)	--
05	Cloth bag clamp	--
04	Flat gasket A grade GB/T1971 818x9x2.0-Longzine	YW660819000000
03	Standard spring gasket GB/T193 8-Longzine	YW650808000100
02	Inner hexagon cylinder screw GB/T1701 M8x30-12.9-Longzine	YW610830000000
01	Cloth bag 1	--

Title		SG-70	
Dust separator		Drawing No.	
Version	Approved by	Date	
Designer	Checked by	Modify date	
Before modification	After modification	Modified by	
Mark			

SHINI
 信易电热机械股份有限公司
 Shini Plastics Technologies, Inc.

Scale	Quantity	Material
	1	
Surface requirement		
Material No.		

