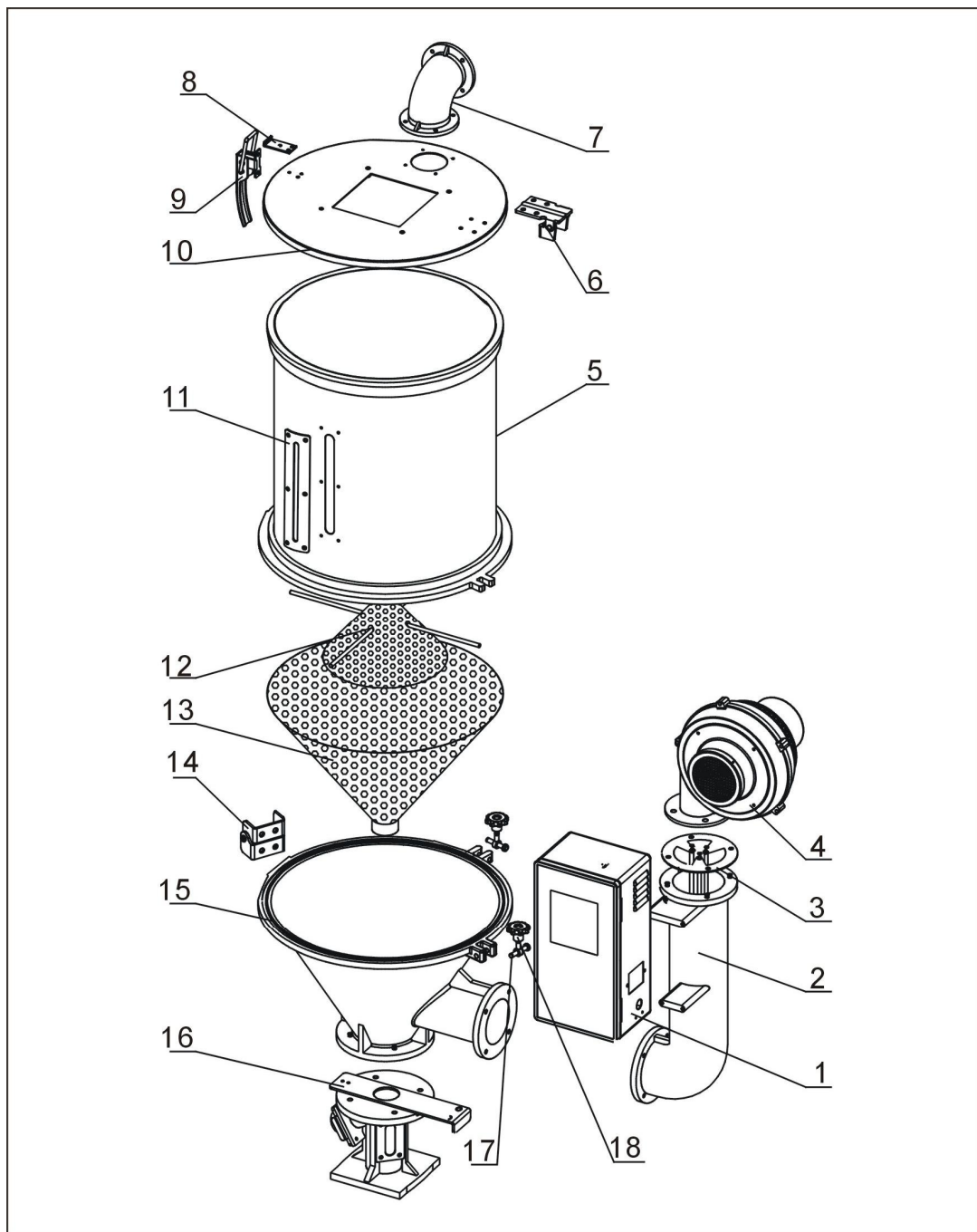


### 1.1.1 系统结构图 (SHD-25SL~75SL)



注：零件图中的阿拉伯数字详解见 1.1.2 材料明细表

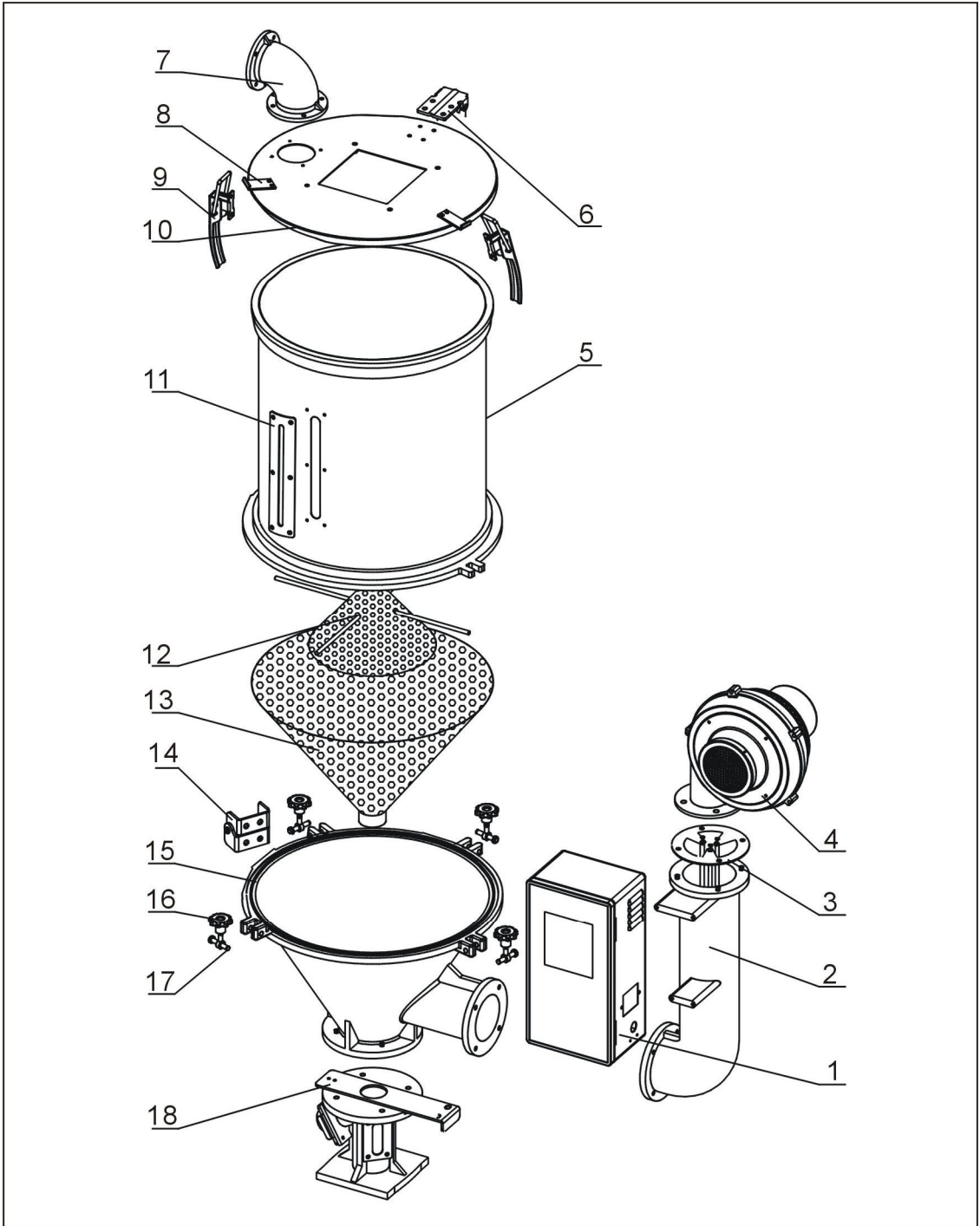
### 1.1.2 材料明细表 (SHD-25SL~75SL)

序号	名称	物料编号		
		SHD-25SL	SHD-50SL	SHD-75SL
1	控制箱**	BH31002513550	BH31005013550	BH31007513550
2	热风管**	BA10002500410	BA10005000610	BA10005000610
3	电热管**(SHD)	BH70250300150	BH70500300150	BH70750300050
	电热管**(SHD-H)	BH70253300010	BH70007500510	BH70754800010
	电热管**(SHD-EH)	YW90000301500	YW90003901500	YW90004200000
4	风机*	BM40002500350	BM40003000250	BM40003000250
5	储料桶	BK01002500020	BK01005000020	BK01007500020
6	盖后钮	YW06125040000	YW06125040000	YW06125040000
7	排风管	BA10251000010	BA10251000010	BA10251000010
8	把手钩	YW00251000000	YW00251000000	YW00251000000
9	把手	YW00121000000	YW00121000000	YW00121000000
10	桶盖	YW09002500000	YW09005000100	BL01007500020
	盖迫紧	YR10002500100	YR10005000100	YR10010040000
11	视料窗	YW09000600000	YW09000600000	YW09000600000
	视料窗亚克力	YR40001200000	YR40001200000	YR40001200000
	视料窗迫紧	YR40000600000	YR40000600000	YR40000600000
12	孔屏器**	BL01002500620	BL01005001120	BL01007500120
13	护屏器**	BL01002501520	BL01005000320	BL01007500320
14	桶后钮	YW09125000100	YW09125000100	YW09125000100
15	料斗	BA10002500210	BA10005000110	BA10007500110
	桶迫紧	YR10002500200	YR10005000200	YR10010000200
16	底座**	BY10050000550	BY10050000550	BY10050000550
17	梅花插销	YW09085400000	YW09085400000	YW09085400000
18	梅花螺母	YW09675100000	YW09675100000	YW09675100000
	梅花螺杆	YW09051600100	YW09051600100	YW09051600100

\*表示可能损坏的项目；\*\*表示较可能损坏的项目，建议备份。

请在下单采购零配件之前，先确认说明书版本号，以确保零配件物料号与实物一致。

### 1.1.3 系统结构图 (SHD-100SL/150SL)



注：零件图中的阿拉伯数字详解见 1.1.4 材料明细表

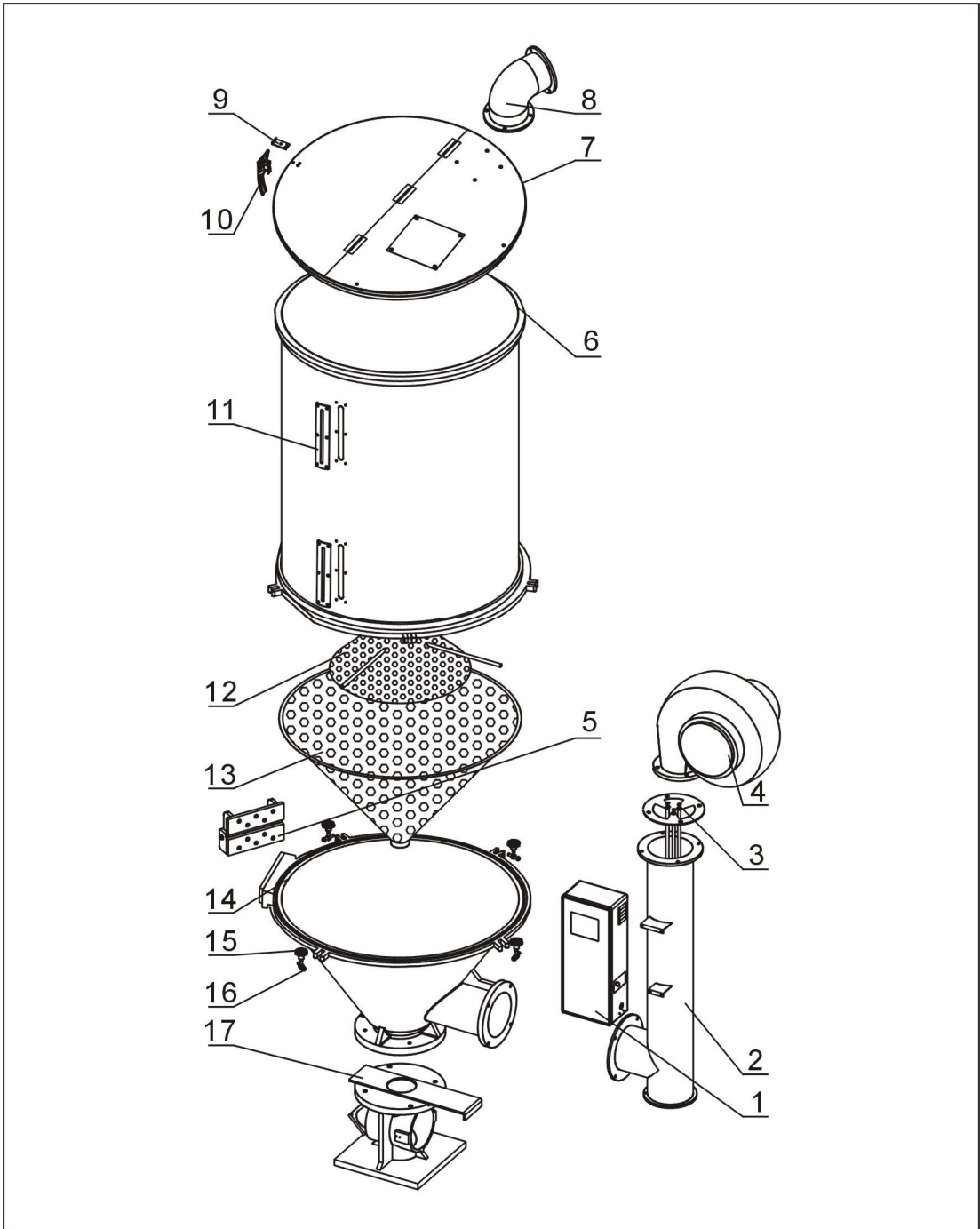
### 1.1.4 材料明细表 (SHD-100SL/150SL)

序号	名称	物料编号	
		SHD-100SL	SHD-150SL
1	控制箱**	BH31010013550	BH31010013550
2	热风管**	BA10010000610	BA10010000610
3	电热管**(SHD)	BH70103800050	BH70153800050
	电热管**(SHD-H)	BH70153800050	BH70150720010
	电热管**(SHD-EH)	YW90000601500	-
4	风机*	BM40004000150	BM40004000150
5	储料桶	BK01010000020	BK01015000020
6	盖后钮	YW06102000000	YW06102000000
7	排风管	BA10251000010	BA10251000010
8	把手钩	YW00251000000	YW00251000000
9	把手	YW00121000000	YW00121000000
10	桶盖	BL01100700720	BL01100700720
	盖迫紧	YR10010040000	YR10010040000
11	视料窗	YW09000600000	YW09000600000
	视料窗亚克力	YR40001200000	YR40001200000
	视料窗迫紧	YR40000600000	YR40000600000
12	孔屏器**	BL01010000120	BL01010000120
13	护屏器**	BL01010000320	BL01010000320
14	桶后钮	YW09102000100	YW09102000100
15	料斗	BA10010000110	BA10010000110
	桶迫紧	YR10010000200	YR10010000200
16	梅花螺母	YW09115600000	YW09115600000
	梅花螺杆	YW09100000000	YW09100000000
17	梅花插销	YW09085400000	YW09085400000
18	底座**	BY10200000050	BY10200000050

\*表示可能损坏的项目；\*\*表示较可能损坏的项目，建议备份。

请在下单采购零配件之前，先确认说明书版本号，以确保零配件物料号与实物一致。

### 1.1.5 系统结构图 (SHD-12SL/200SL/300SL)



注：零件图中的阿拉伯数字详解见 1.1.6 材料明细表

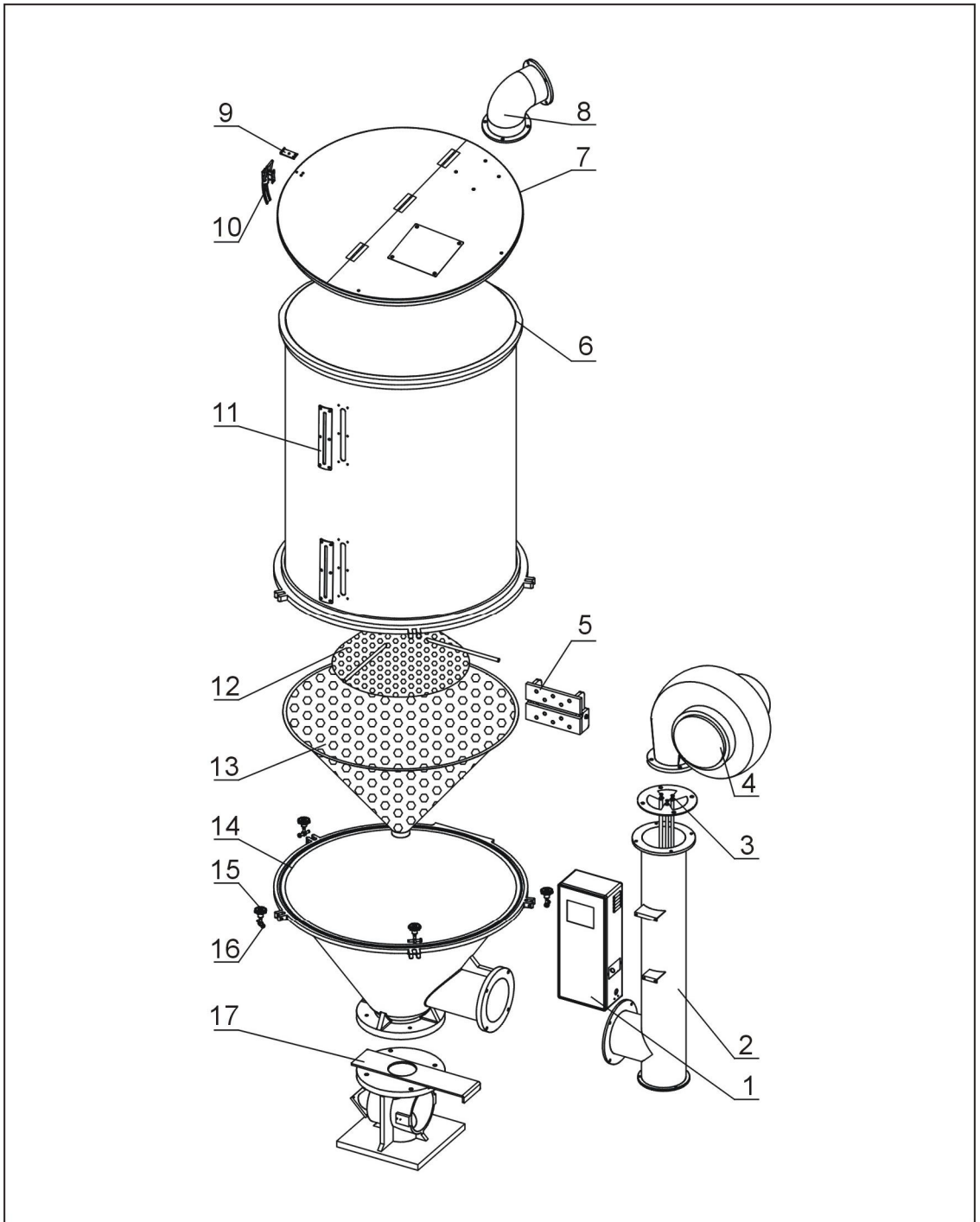
### 1.1.6 材料明细表 (SHD-12SL/200SL/300SL)

序号	名称	物料编号		
		SHD-12SL	SHD-200SL	SHD-300SL
1	控制箱**	BH31001206950	BH31020013550	BH31030009950
2	热风管**	BA10001200610	BA10020000610	BL01030000220
3	电热管** (SHD)	BH70120300150	BH70203800050	BH70303800050
	电热管** (SHD-H)	BH70120300010	BH70200150010	-
	电热管**(SHD-EH)	YW90122200600	YW90001201500	YW90001501500
4	风机*	BM40001500550	BM40005000150	BM40005000150
5	盖后钮	YW06125040000	YW09102000100	YW09102000100
6	储料桶	BK01001200020	BK01020000020	BK01030000020
7	桶盖	YW09001200300	BW09020000020	BW09020000020
	盖迫紧	YR10002500100	YR10002500200	YR10002500200
8	排风管	BA10001200110	BA10020000210	BA10020000210
9	把手钩	YW00001200000	YW00251000000	YW00251000000
10	把手	YW00121000000	YW00121000000	YW00121000000
11	视料窗	YW09000600000	YW09000600000	YW09000600000
	视料窗亚克力	YR40001200000	YR40001200000	YR40001200000
	视料窗迫紧	YR40000600000	YR40000600000	YR40000600000
12	孔屏器**	BL01001200120	BL01020000120	BL01020000120
13	护屏器**	BL01001200320	BL01020000320	BL01020000320
14	料斗	BA10001200310	BA10020000110	BA10020000110
	桶迫紧	YR10002500200	YR10002500200	YR10002500200
15	梅花螺母	YW09675100000	YW09115600000	YW09115600000
	梅花螺杆	YW09051600100	YW09100000000	YW09100000000
16	梅花插销	YW09084500100	YW09085400000	YW09085400000
17	底座**	BY10012000150	BY10200000050	BY10200000050

\*表示可能损坏的项目；\*\*表示较可能损坏的项目，建议备份。

请在下单采购零配件之前，先确认说明书版本号，以确保零配件物料号与实物一致。

### 1.1.7 系统结构图 (SHD-400SL~600SL)



注：零件图中的阿拉伯数字详解见 1.1.8 材料明细表

### 1.1.8 材料明细表 (SHD-400SL~600SL)

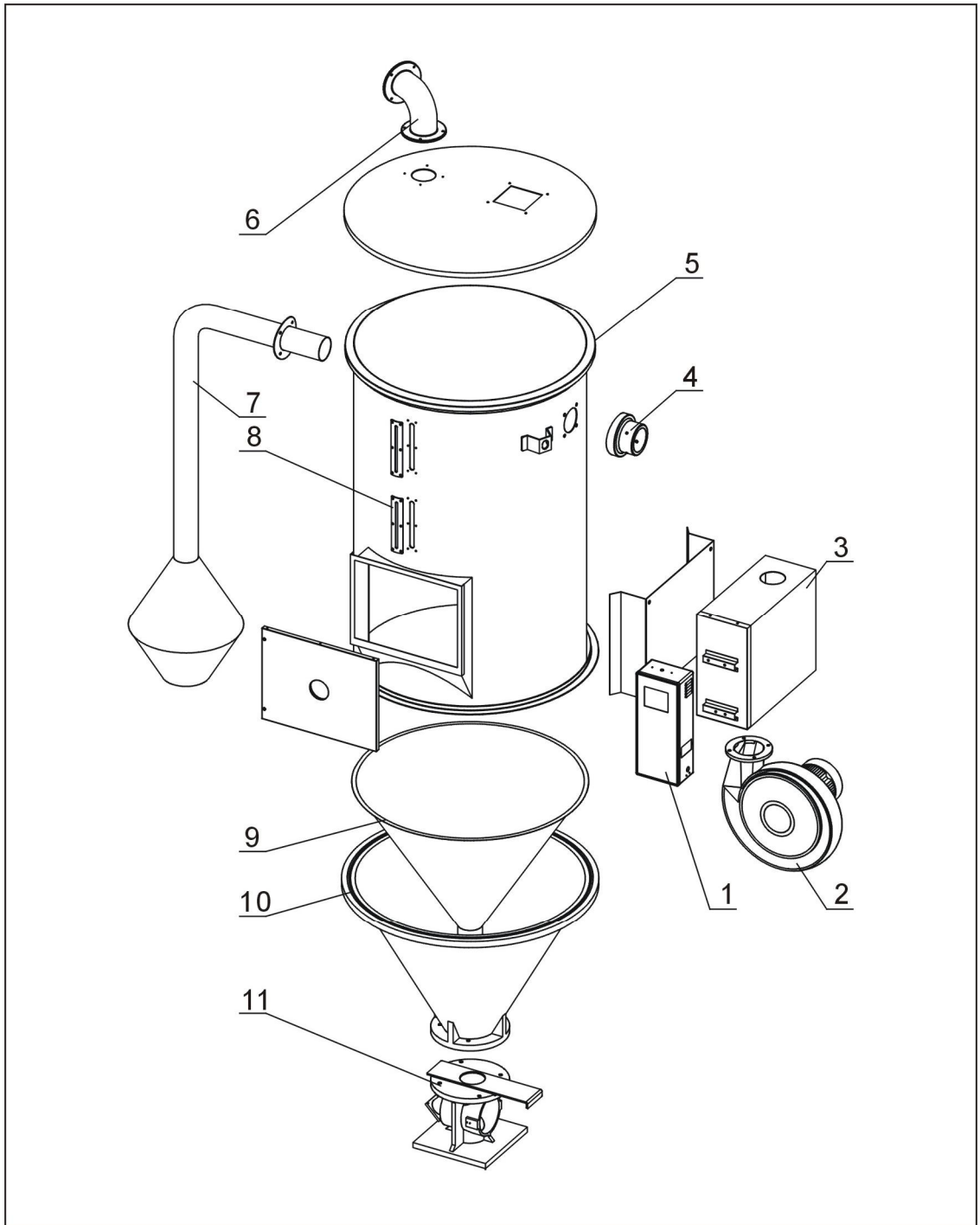
序号	名称	物料编号		
		SHD-400SL	SHD-500SL	SHD-600SL
1	控制箱**	BH31040007550	BH31050007650	BH31060007750
2	热风管**	BA10001200610	BA10001200610	BL01060000220
3	电热管**	BH70403800050	BH70503800050	BH70603800050
	电热管**(EH)	-	YW90019501500	-
4	风机*	BM40005000150	BM40005000150	BM30055000150
5	盖后钮	BW09040000110	BW09040000110	BW09040000110
6	储料桶	BK01040000020	BK01050000020	BK01060000020
7	桶盖	BL01040000720	BL01040000720	BL01040000720
	盖迫紧	YR10002500200	YR10002500200	YR10002500200
8	排风管	BA10020000210	BA10020000210	BA10020000210
9	把手钩	YW00251000000	YW00251000000	YW00251000000
10	把手	YW00121000000	YW00121000000	YW00121000000
11	视料窗	YW09000600000	YW09000600000	YW09000600000
	视料窗亚克力	YR40001200000	YR40001200000	YR40001200000
	视料窗迫紧	YR40000600000	YR40000600000	YR40000600000
12	孔屏器**	BL01040000920	BL01040000920	BL01040000920
13	护屏器**	BL01040000320	BL01040000320	BL01040000320
14	料斗	BA10040000110	BA10040000110	BA10040000110
	桶迫紧	YR10002500200	YR10002500200	YR10002500200
15	梅花螺母	YW09115600000	YW09115600000	YW09115600000
	梅花螺杆	YW09100000000	YW09100000000	YW09100000000
16	梅花插销	YW09085400000	YW09085400000	YW09085400000
17	底座**	BY10400000050	BY10400000050	BY10400000050

\*表示可能损坏的项目；\*\*表示较可能损坏的项目，建议备份。

请在下单采购零配件之前，先确认说明书版本号，以确保零配件物料号与实物一致。



### 1.1.9 系统结构图 (SHD-800SL/1000SL)



注：零件图中的阿拉伯数字详解见 1.1.10 材料明细表

### 1.1.10 材料明细表 (SHD-800SL/1000SL)

序号	名称	物料编号	
		SHD-800SL	SHD-1000SL
1	控制箱**	BH31080007850	BH31100007950
2	风机*	BM30113230050	BM30113230050
3	加热箱	BH70244000750	BH70324000750
4	入风口法兰	BW21601200010	BW21601200010
5	储料桶	BK01080000420	BK01100000420
	盖迫紧	YR10002500200	YR10002500200
6	排风管	BA10020000210	BA10020000210
7	下吹风管	BL01800000020	BL01801042620
8	视料窗	YW09000600000	YW09000600000
	视料窗亚克力	YR40001200000	YR40001200000
	视料窗迫紧	YR40000600000	YR40000600000
9	护屏器**	BL01080000010	BL01080000010
10	料斗	BA10100000010	BA10100000010
	桶迫紧	YR10002500200	YR10002500200
11	底座**	BY10400000050	BY10400000050

\*表示可能损坏的项目；\*\*表示较可能损坏的项目，建议备份。

请在下单采购零配件之前，先确认说明书版本号，以确保零配件物料号与实物一致。