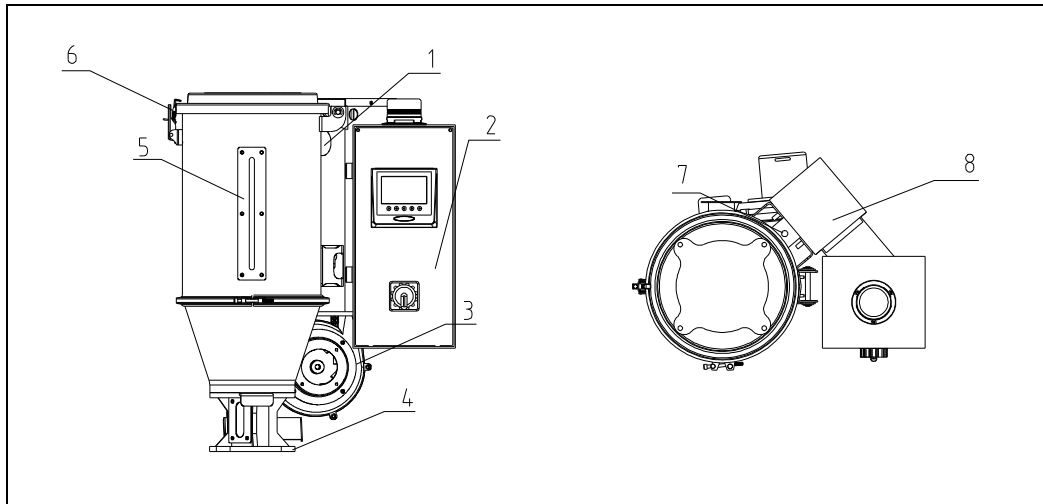


1. Assembly Drawing (SEHD-12)



Remarks: Please refer to material list 2 for specific explanation of the Arabic numbers in parts drawing.

2. Parts List (SEHD-12)

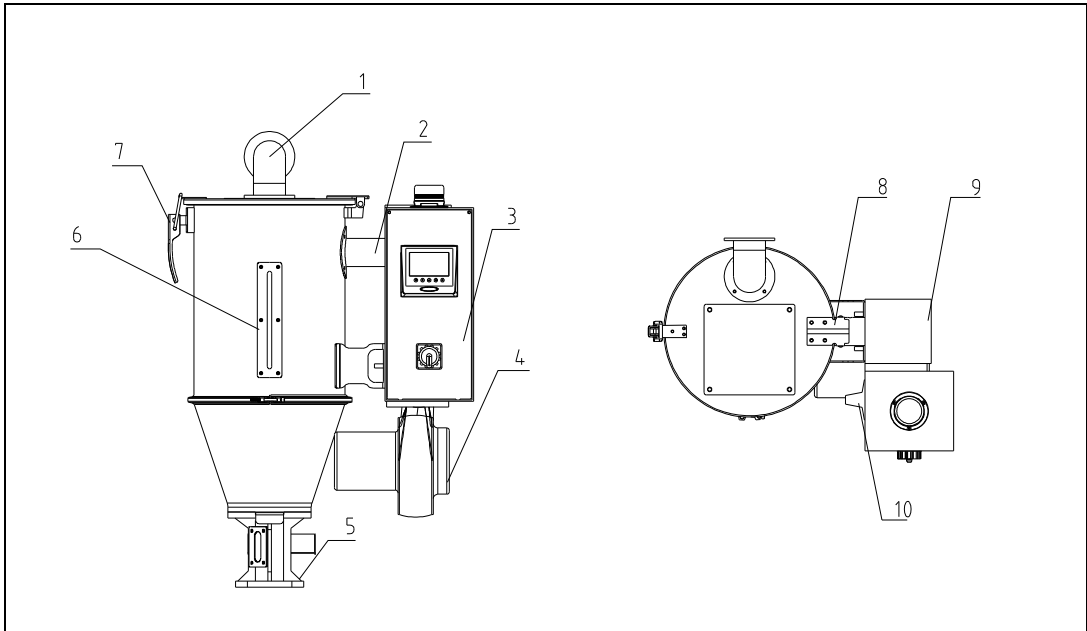
NO.	Name	Part NO.
1	Thermocouple *	YE90054001300
2	Control box**	BH31120001050
3	Drying blower*	YM40151200500
4	Base	BY10012003150
5	Sight glass	BW09000630040
	Sight glass acryl	YR40001200000
	Sight glass fastener	YR40000600000
6	Buckle	YW02003000400
7	EGO*	BH90115000150
8	Pipe heater **	BH70120300150

* means possible broken parts.

** means easy broken parts and spare backup is suggested.

Please confirm the version of manual before placing the purchase order to guarantee that the item number of the spare part is in accordance with the real object.

3. Assembly Drawing (SEHD-25)



Remarks: Please refer to material list 4 for specific explanation of the Arabic numbers in parts drawing.

4. Parts List (SEHD-25)

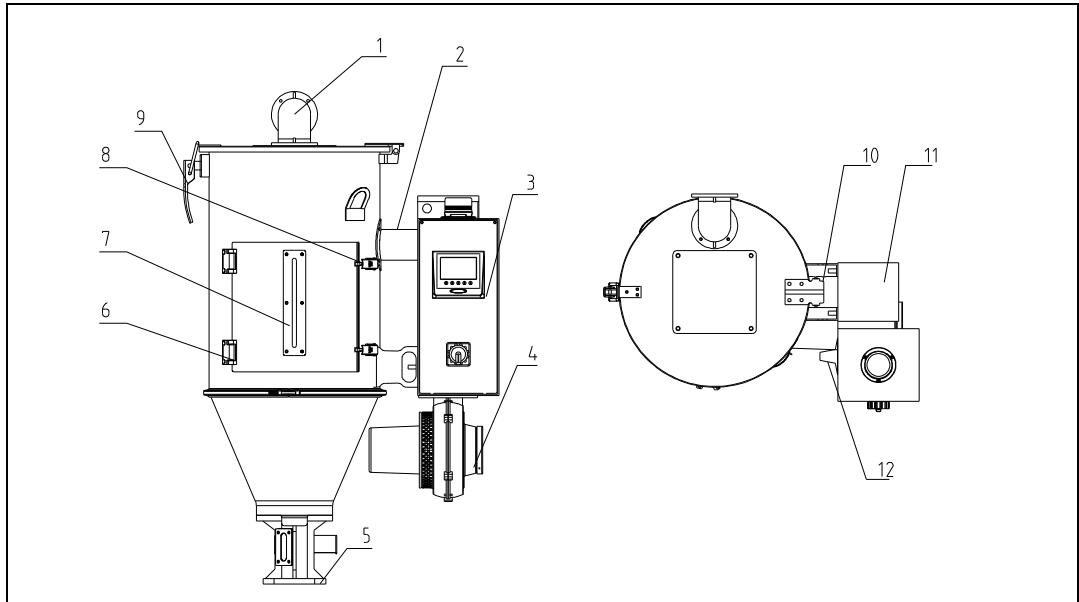
NO.	Name	Part NO.
1	Exhaust pipe	BA10251000010
2	Thermocouple *	YE90055501300
3	Control box **	BH31250001250
4	Drying blower*	BM40002500350
5	Base	BY10050003150
6	Sight glass	BW09000630040
	Sight glass acryl	YR40001200000
	Sight glass fastener	YR40000600000
7	Handle	YW00121000000
8	Rear cover button	YW06125040000
9	Pipe heater**	BH70250302150
10	EGO *	BH90115000150

* means possible broken parts.

** means easy broken parts and spare backup is suggested.

Please confirm the version of manual before placing the purchase order to guarantee that the item number of the spare part is in accordance with the real object.

5. Assembly Drawing (SEHD-50)



Remarks: Please refer to material list 6 for specific explanation of the Arabic numbers in parts drawing.

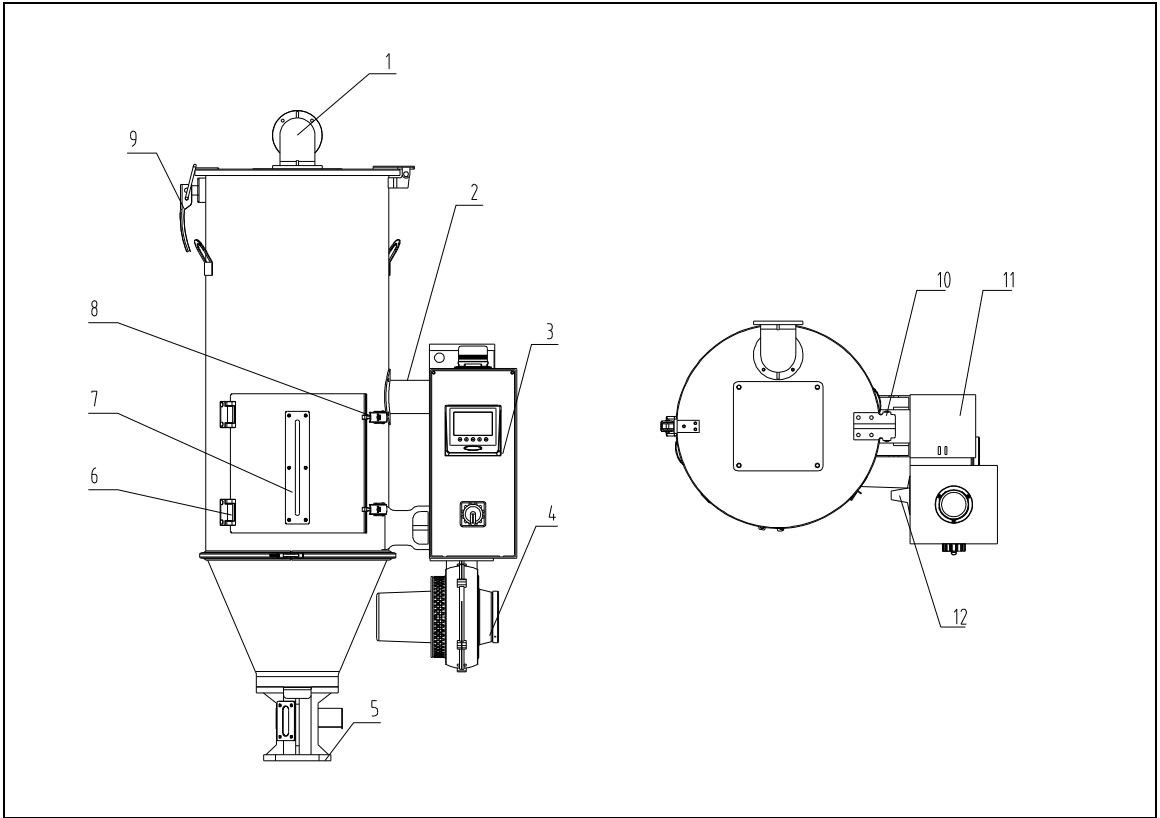
6. Parts List (SEHD-50)

NO.	Name	Part NO.
1	Exhaust pipe	BA10251000010
2	Thermocouple *	YE90056500700
3	Control box **	BH31500001250
4	Drying blower *	BM40003000250
5	Base	BY10050003150
6	Hinge	BH10000012510
7	Sight glass	BW09000630040
	Sight glass acryl	YR40001200000
	Sight glass fastener	YR40000600000
8	Buckle	YW09005800000
9	Handle	YW00121000000
10	Rear cover button	YW06125040000
11	Pipe heater **	BH70504200010
12	EGO*	BH90115000150

* means possible broken parts. ** means easy broken parts and spare backup is suggested.

Please confirm the version of manual before placing the purchase order to guarantee that the item number of the spare part is in accordance with the real object.

7. Assembly Drawing (SEHD-75)



Remarks: Please refer to material list 8 for specific explanation of the Arabic numbers in parts drawing.

8. Parts List (SEHD-75)

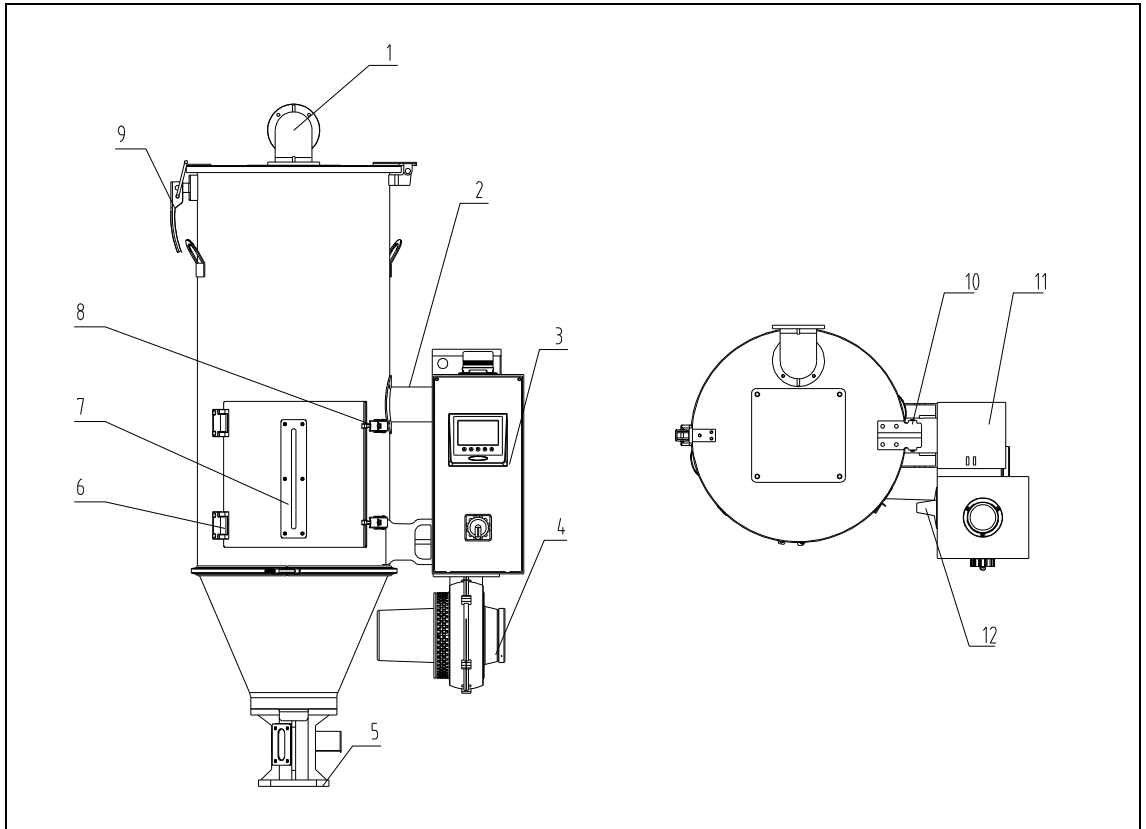
NO.	Name	Part NO.
1	Exhaust pipe	BA10251000010
2	Thermocouple *	YE90056500700
3	Control box **	BH31750001250
4	Drying blower *	BM40003000250
5	Base	BY10050003150
6	Hinge	BH10000012510
7	Sight glass	BW09000630040
	Sight glass acryl	YR40001200000
	Sight glass fastener	YR40000600000
8	Buckle	YW09005800000
9	Handle	YW00121000000
10	Rear cover button	YW06125040000
11	Pipe heater **	BH70504200010
12	EGO*	BH90115000150

* means possible broken parts.

** means easy broken parts and spare backup is suggested.

Please confirm the version of manual before placing the purchase order to guarantee that the item number of the spare part is in accordance with the real object.

9. Assembly Drawing (SEHD-100)



Remarks: Please refer to material list 10 for specific explanation of the Arabic numbers in parts drawing.

10. Parts List (SEHD-100)

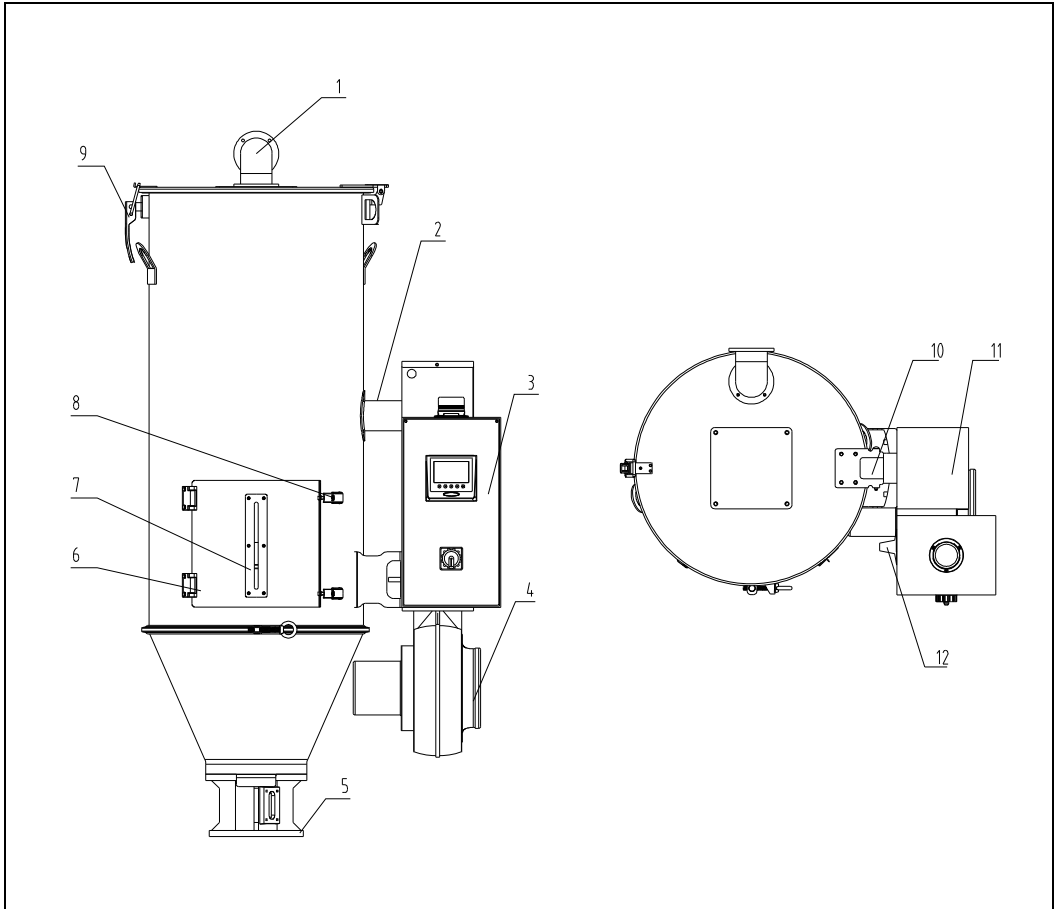
NO.	Name	Part NO.
1	Exhaust pipe	BA10251000010
2	Thermocouple *	YE90054001300
3	Control box **	BH31100002050
4	Drying blower *	BM40004000150
5	Base	BY10020003150
6	Hinge	BH10000012510
7	Sight glass	BW09000630040
	Sight glass acryl	YR40001200000
	Sight glass fastener	YR40000600000
8	Buckle	YW09005800000
9	Handle	YW00121000000
10	Rear cover button	YW06102000000
11	Pipe heater **	BH70160600250
12	EGO*	BH90115000150

* means possible broken parts.

** means easy broken parts and spare backup is suggested.

Please confirm the version of manual before placing the purchase order to guarantee that the item number of the spare part is in accordance with the real object.

11. Assembly Drawing (SEHD-150)



Remarks: Please refer to material list 12 for specific explanation of the Arabic numbers in parts drawing.

12. Parts List (SEHD-150)

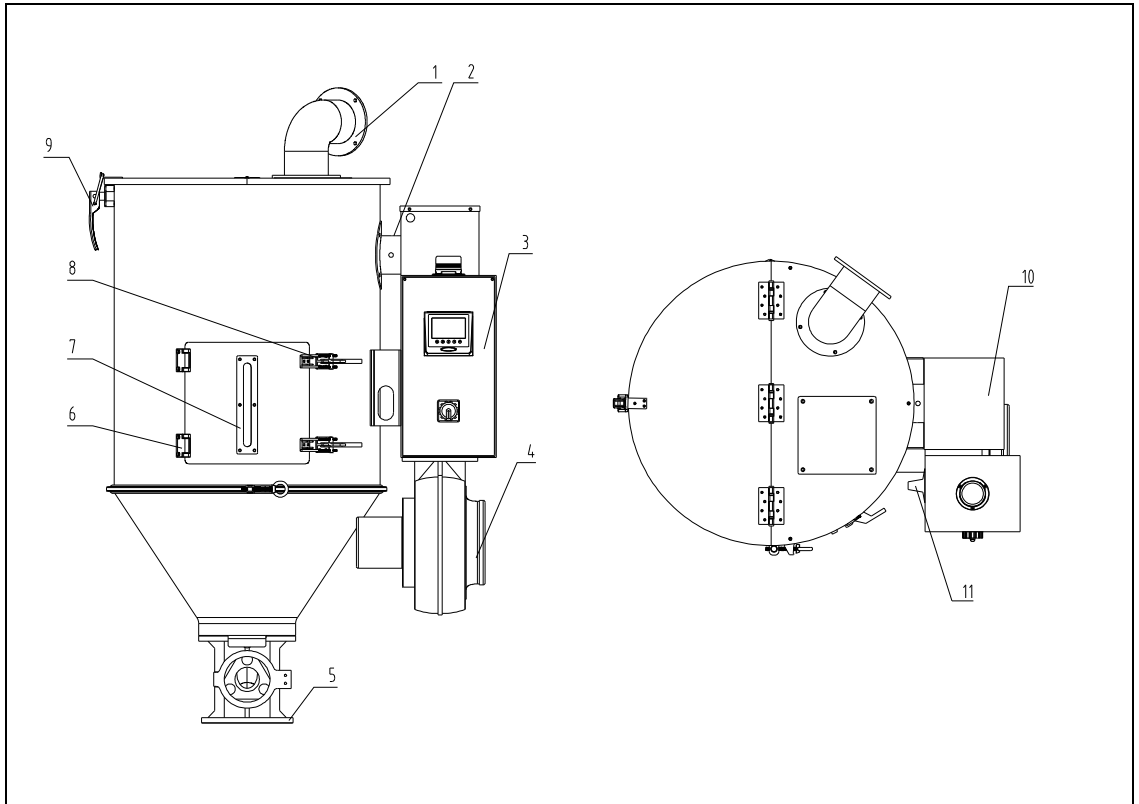
NO.	Name	Part NO.
1	Exhaust pipe	BA10251000010
2	Thermocouple *	YE90054001300
3	Control box **	BH31150002050
4	Drying blower *	BM40004000150
5	Base	BY10020003150
6	Hinge	BH10000012510
7	Sight glass	BW09000630040
	Sight glass acryl	YR40001200000
	Sight glass fastener	YR40000600000
8	Buckle	YW09005800000
9	Handle	YW00121000000
10	Rear cover button	YW06102000000
11	Pipe heater **	BH70150102350
12	EGO*	BH90115000150

* means possible broken parts.

** means easy broken parts and spare backup is suggested.

Please confirm the version of manual before placing the purchase order to guarantee that the item number of the spare part is in accordance with the real object.

13. Assembly Drawing (SEHD-200)



Remarks: Please refer to material list 14 for specific explanation of the Arabic numbers in parts drawing.

14. Parts List (SEHD-200)

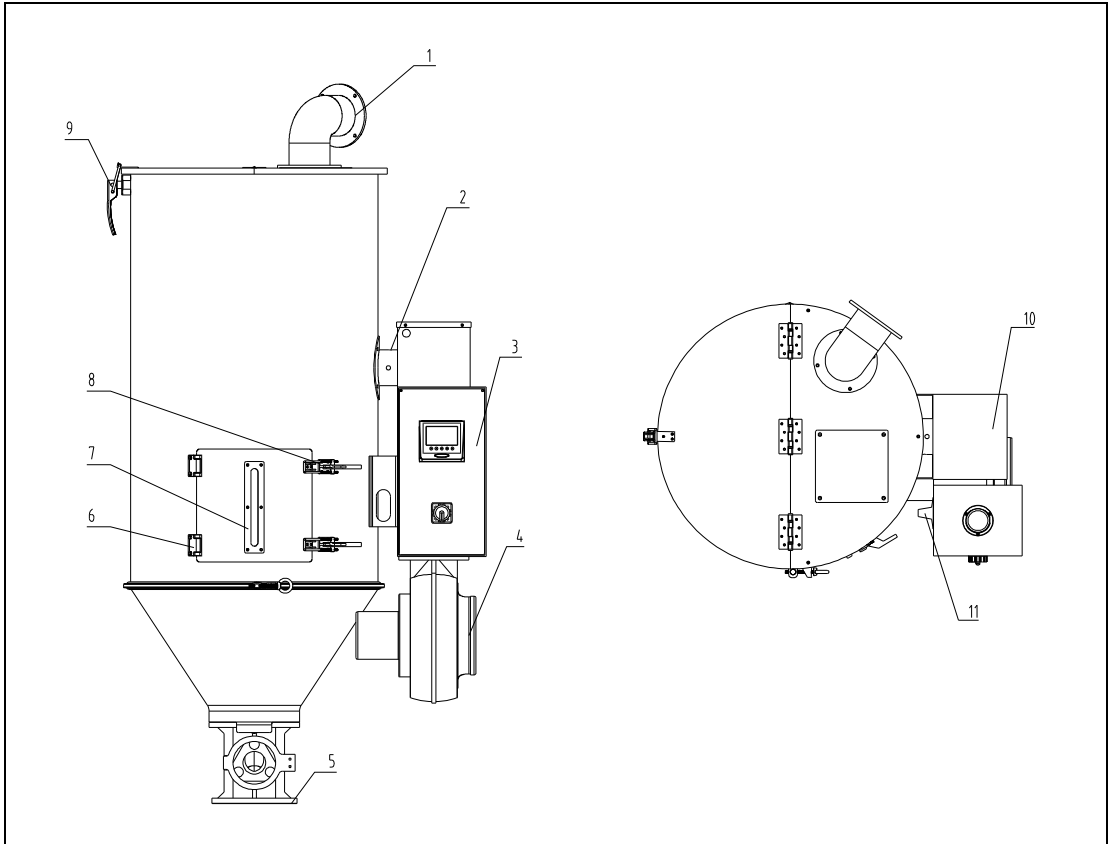
NO.	Name	Part NO.
1	Exhaust pipe	BA10020000210
2	Thermocouple *	YE90054001300
3	Control box **	BH31200002050
4	Drying blower *	BM40005000150
5	Base	BY10100000050
6	Hinge	BH10000012510
7	Sight glass	BW09000630040
	Sight glass acryl	YR40001200000
	Sight glass fastener	YR40000600000
8	Buckle	YW09043100100
9	Handle	YW00121000000
10	Pipe heater **	BH70020001350
11	EGO*	BH90115000150

* means possible broken parts.

** means easy broken parts and spare backup is suggested.

Please confirm the version of manual before placing the purchase order to guarantee that the item number of the spare part is in accordance with the real object.

15. Assembly Drawing (SEHD-300)



Remarks: Please refer to material list 16 for specific explanation of the Arabic numbers in parts drawing.

16. Parts List (SEHD-300)

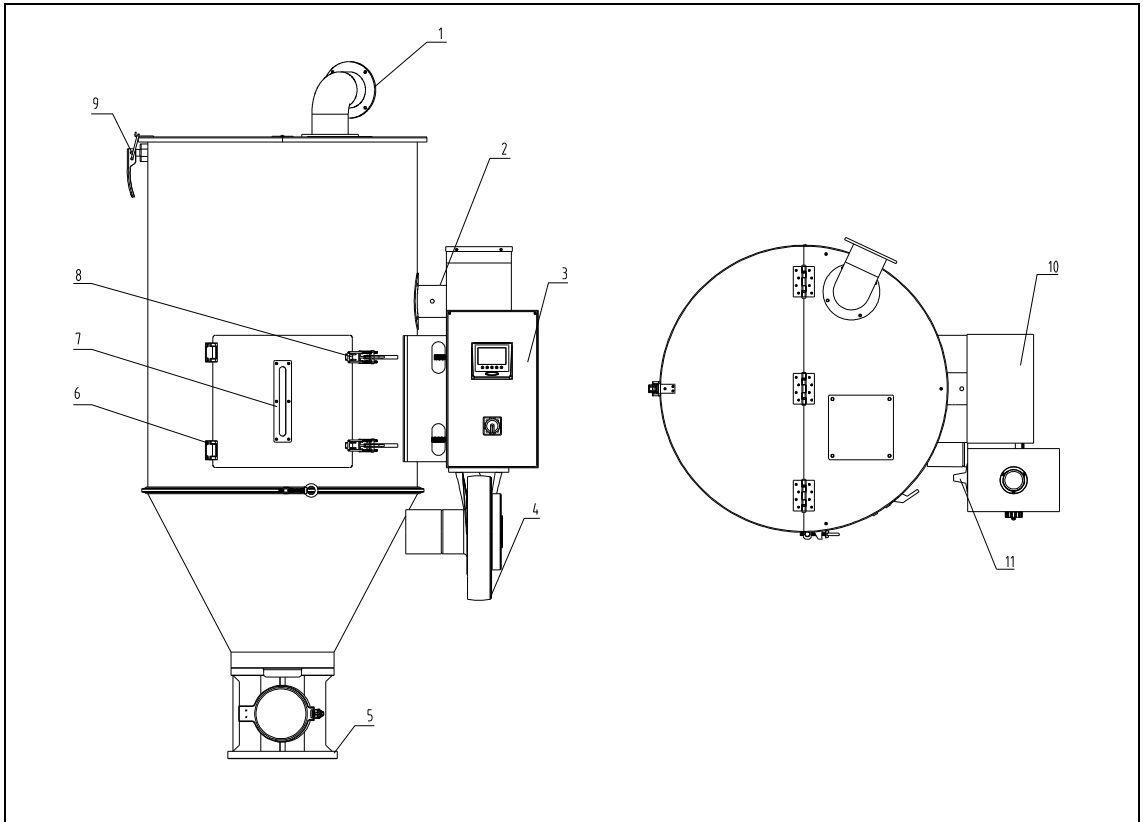
NO.	Name	Part NO.
1	Exhaust pipe	BA10020000210
2	Thermocouple *	YE90054001300
3	Control box **	BH31300002050
4	Drying blower *	BM40005000150
5	Base	BY10100000050
6	Hinge	BH10000012510
7	Sight glass	BW09000630040
	Sight glass acryl	YR40001200000
	Sight glass fastener	YR40000600000
8	Buckle	YW09043100100
9	Handle	YW00121000000
10	Pipe heater **	BH70030000650
11	EGO*	BH90115000150

* means possible broken parts.

** means easy broken parts and spare backup is suggested.

Please confirm the version of manual before placing the purchase order to guarantee that the item number of the spare part is in accordance with the real object.

17. Assembly Drawing (SEHD-400)



Remarks: Please refer to material list 18 for specific explanation of the Arabic numbers in parts drawing.

18. Parts List (SEHD-400)

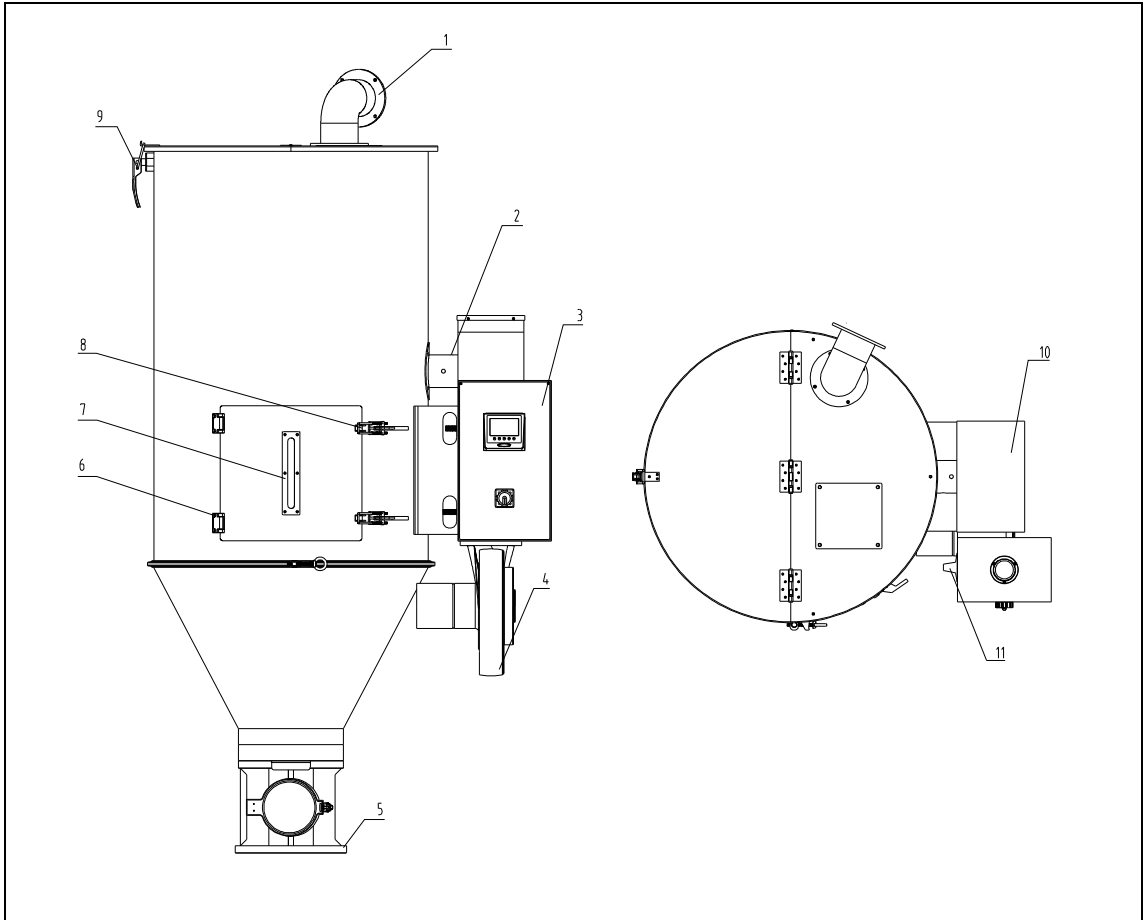
NO.	Name	Part NO.
1	Exhaust pipe	BA10020000210
2	Thermocouple *	BE90080001550
3	Control box **	BH31400002050
4	Drying blower *	BM30055000150
5	Base	BY10400000050
6	Hinge	BH10400800010
7	Sight glass	BW09000630040
	Sight glass acryl	YR40001200000
	Sight glass fastener	YR40000600000
8	Buckle	YW09043100100
9	Handle	YW00121000000
10	Pipe heater **	BH70030000650
11	EGO*	BH90115000150

* means possible broken parts.

** means easy broken parts and spare backup is suggested.

Please confirm the version of manual before placing the purchase order to guarantee that the item number of the spare part is in accordance with the real object.

19. Assembly Drawing (SEHD-500)



Remarks: Please refer to material list 20 for specific explanation of the Arabic numbers in parts drawing.

20. Parts List (SEHD-500)

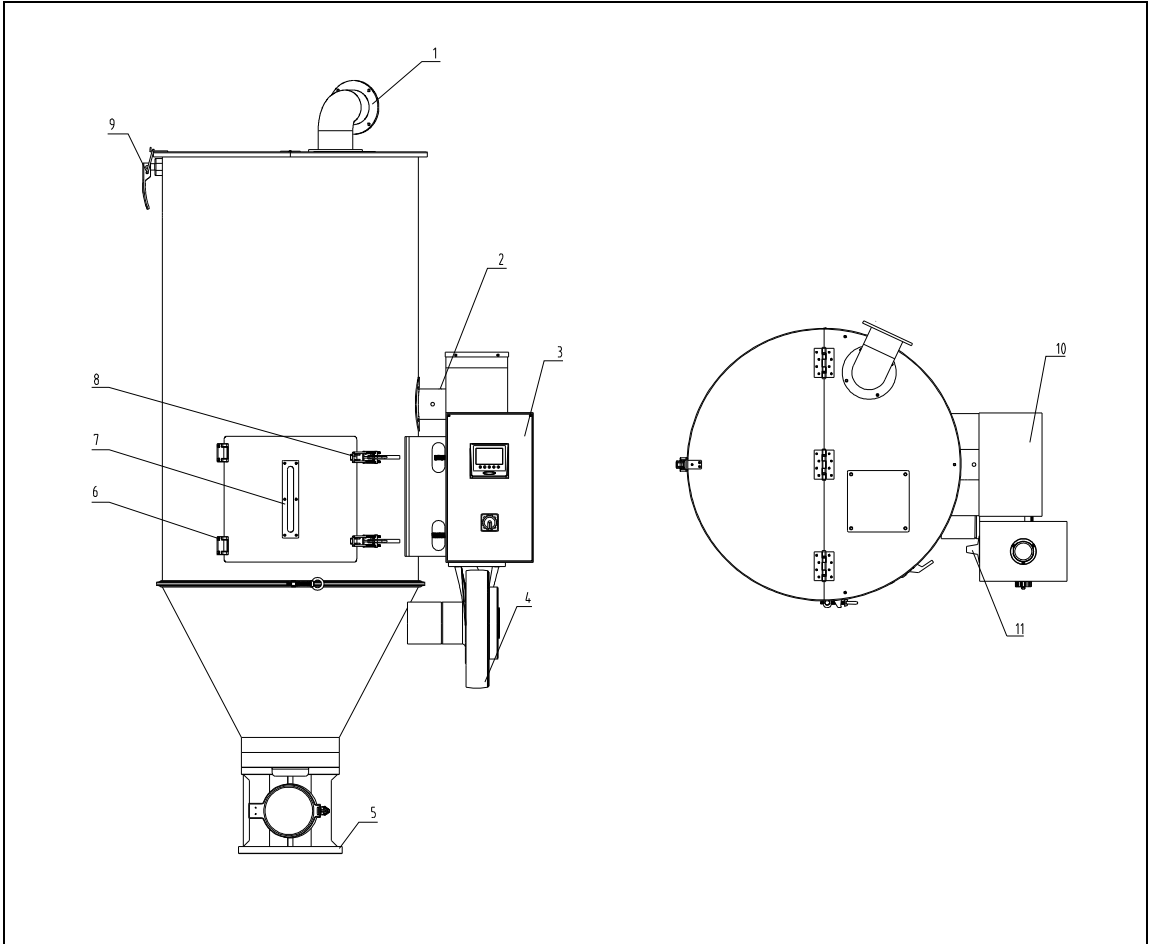
NO.	Name	Part NO.
1	Exhaust pipe	BA10020000210
2	Thermocouple *	BE90080001550
3	Control box **	BH31500002050
4	Drying blower *	BM30055000150
5	Base	BY10400000050
6	Hinge	BH10400800010
7	Sight glass	BW09000630040
	Sight glass acryl	YR40001200000
	Sight glass fastener	YR40000600000
8	Buckle	YW09043100100
9	Handle	YW00121000000
10	Pipe heater **	BH70019200050
11	EGO*	BH90115000150

* means possible broken parts.

** means easy broken parts and spare backup is suggested.

Please confirm the version of manual before placing the purchase order to guarantee that the item number of the spare part is in accordance with the real object.

21. Assembly Drawing (SEHD-600)



Remarks: Please refer to material list 22 for specific explanation of the Arabic numbers in parts drawing.

22. Parts List (SEHD-600)

NO.	Name	Part NO.
1	Exhaust pipe	BA10020000210
2	Thermocouple *	BE90080001550
3	Control box **	BH31600002050
4	Drying blower *	BM30055000150
5	Base	BY10400000050
6	Hinge	BH10400800010
7	Sight glass	BW09000630040
	Sight glass acryl	YR40001200000
	Sight glass fastener	YR40000600000
8	Buckle	YW09043100100
9	Handle	YW00121000000
10	Pipe heater **	BH70214000150
11	EGO*	BH90115000150

* means possible broken parts.

** means easy broken parts and spare backup is suggested.

Please confirm the version of manual before placing the purchase order to guarantee that the item number of the spare part is in accordance with the real object.