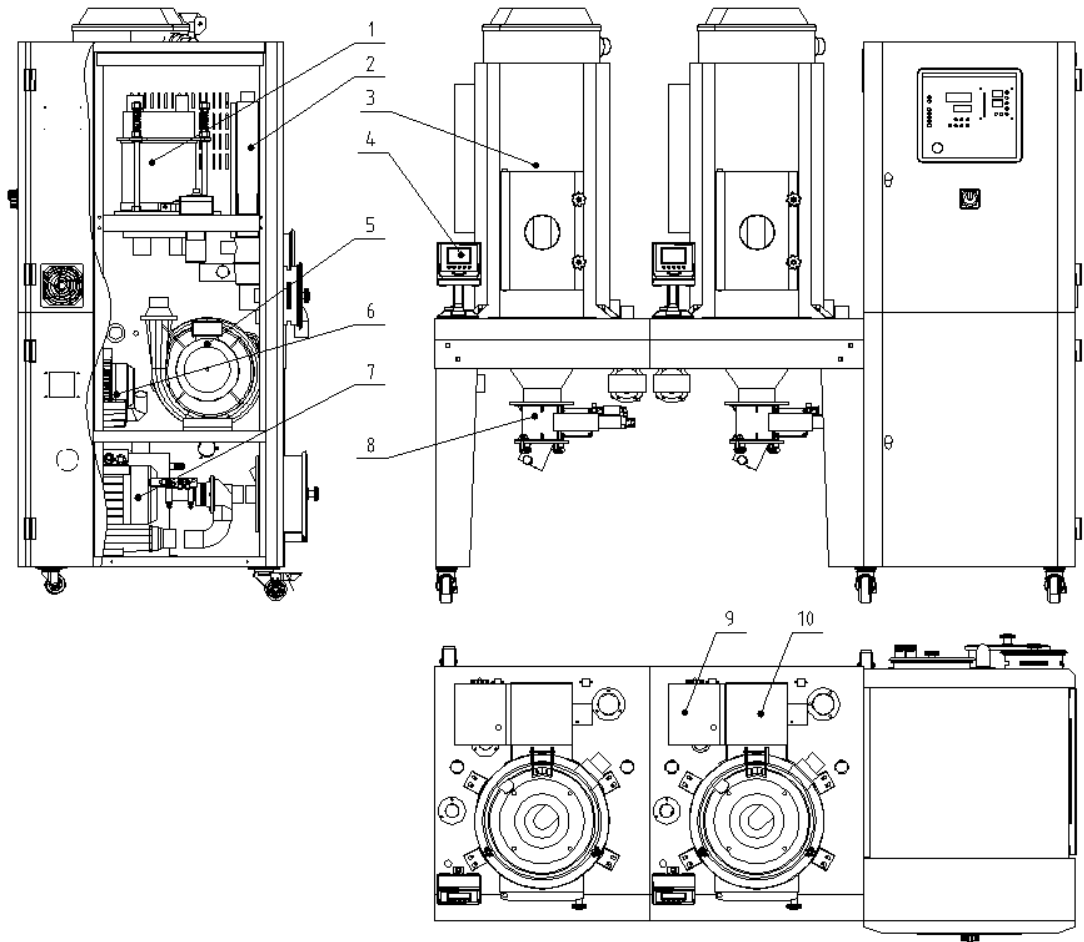


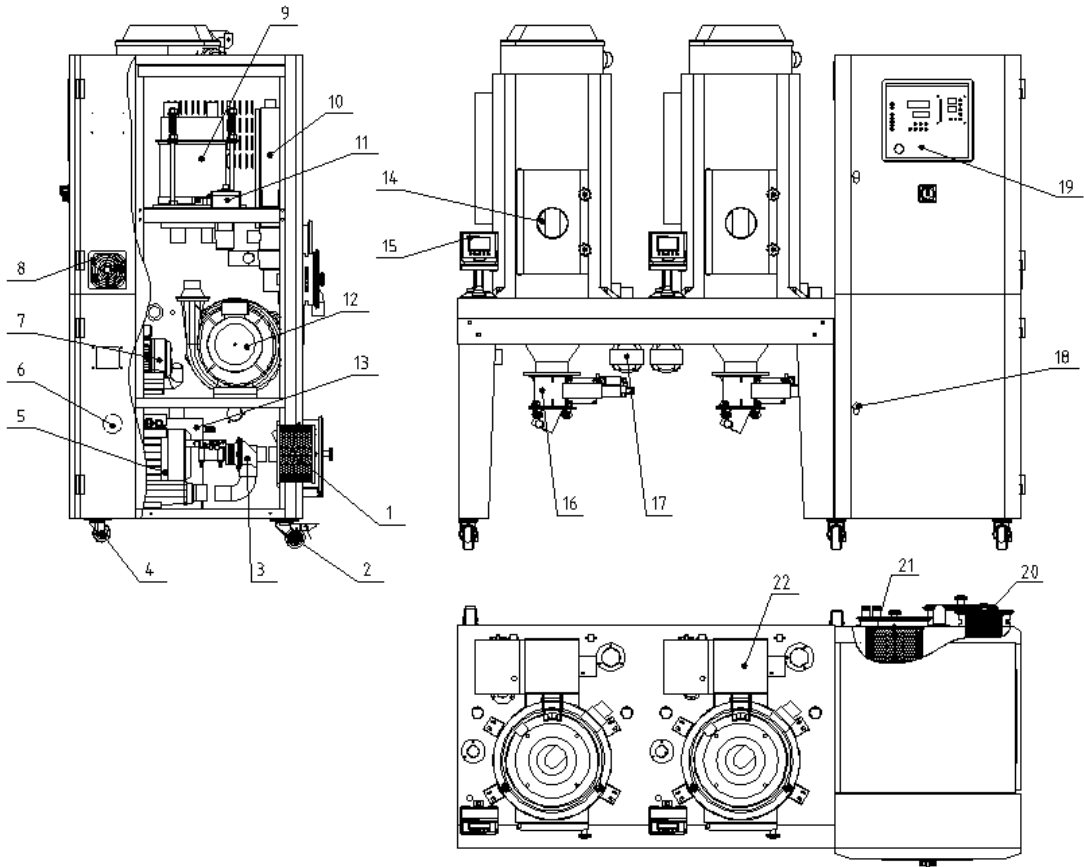
# 1. Structural Drawing



## Names of Parts:

- 1. Honeycomb-rotor
- 2. Regenerating heater
- 3. Drying hopper
- 4. Control box
- 5. Drying blower
- 6. Regenerating blower
- 7. Conveying blower
- 8. Shut-off Suction Box
- 9. Control cabinet
- 10. Drying heater heating case

## 2. Part Drawing



Remarks: Please refer to material list 3 for specific explanation of the Arabic numbers in parts drawing.

### 3. Parts List

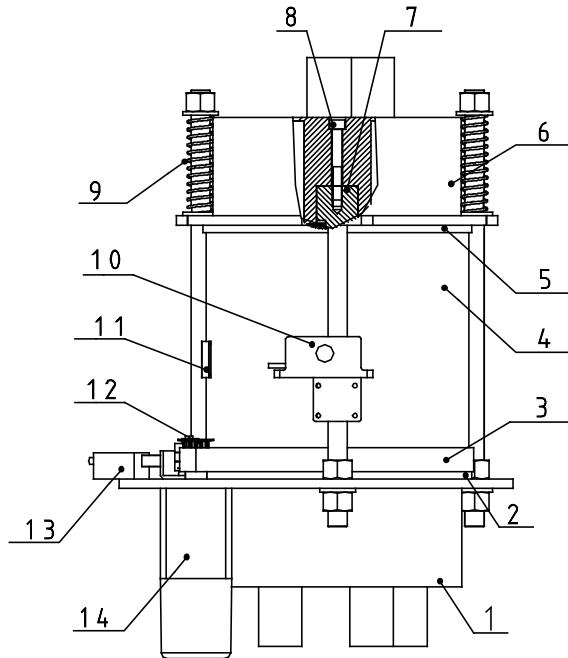
No.	Description	Part No.	No.	Description	Part No.
1	Feeding filter ** SAL-700/800G	YR50708000200	12	Drying blower *	YM30753200000
2	Black brake castor 3"	YW03000300000	13	Cooler	BW88080000020
3	Vacuum-break separating valve SVBV-38-24V	BY20003800100	14	Sight-glass	YW70102000000
4	Black brake castor 3"	YW03000300200	15	Control box	YR40400200000
5	Conveying filter *	BM30042000050	16	Shut-off valve type suction box *	BY10203800050
6	Thermometer	YE85030000000	17	Vacuum-break separating valve SPDV-38(24VDC)	BY20382400050
7	Regen. blower *	BM30020500050	18	Door lock	YW00816100000
8	Exhaust fan	YM60121200400	19	Plastic panel	BH10008001710
9	Honeycomb assembly *	Refer to 2.4.5	20	Regen.filter **	YR50128300100
10	Regen. heater **	BH70150400050	21	Circulation filter **	YR50128300100
11	EGO	BH90115000050	22	Drying heater **	BH70803900250

\* means possible broken parts.

\*\* means easy broken part. and spare backup is suggested.

Please confirm the version of manual before placing the purchase order to guarantee that the item number of the spare part is in accordance with the real object.

#### 4. Honeycomb Assembly



Remarks: Please refer to material list 3 for specific explanation of the Arabic numbers in parts drawing.

#### 5. Honeycomb Assembly Parts List

No.	Description	Part No.	No.	Description	Part No.
1	Rotor bottom cover	-	8	Inner hexagon cylindrical screw M8*65	YW61086500000
2	Silica gel Teflon upper pad	YR10010000900	9	Spring	YW01201800000
3	Synchronous belt 20x300XL	YR00203000000	10	Microswitch LXW5-1124	YE14152400000
4	Honeycomb Ø220 x 200L*	YW71022000000	11	Honeycomb stator	YR00202500000
5	Silica gel Teflon lower pad	YR10010000700	12	Synchronous belt pulley	YW08001000100
6	Honeycomb upper cover	-	13	Belt tension regulator	-
7	Honeycomb installed shaft	BH10005003110	14	Gearmotor	YM50212000000

Please confirm the version of manual before placing the purchase order to guarantee that the item number of the spare part is in accordance with the real object.