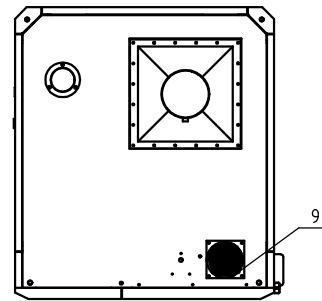
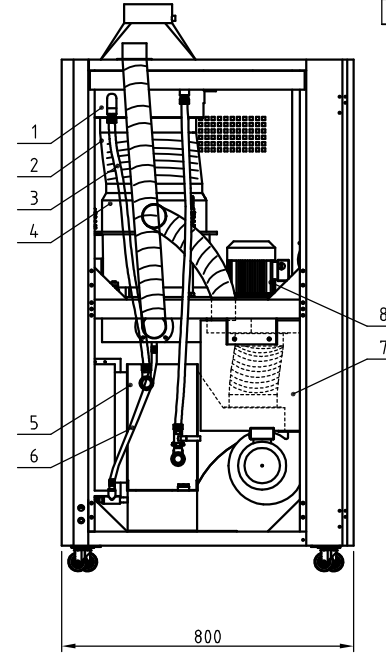
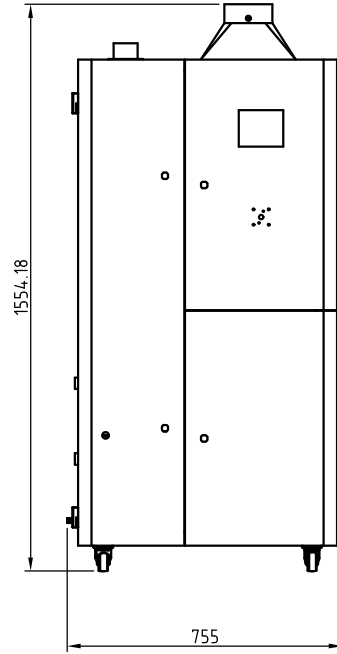
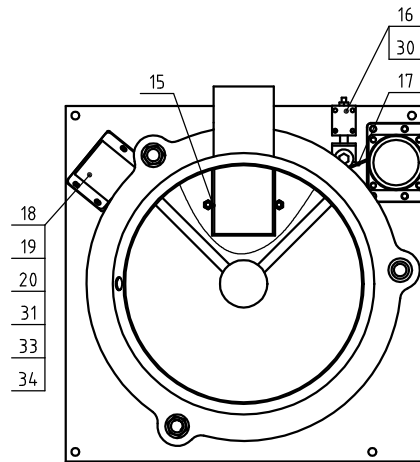
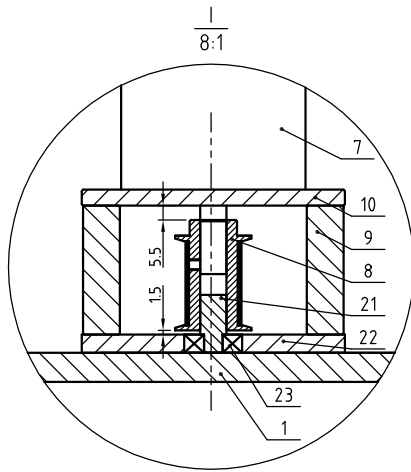
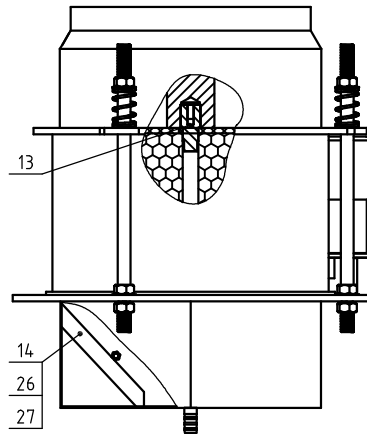
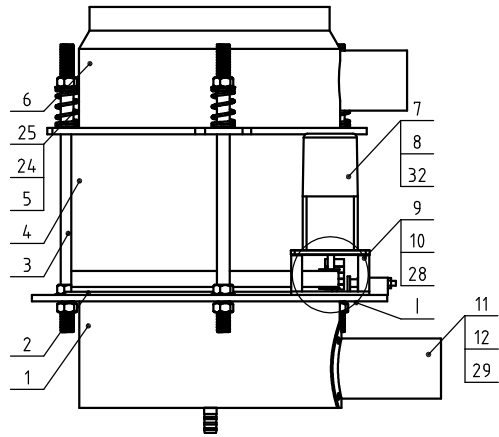


regen. blower power	drying blower power	regen. heater power	dehumidifying air flow	Version No.
0.37KW	0.55KW	6KW	500m ³ /hr	Ver. A
Cooler inlet and outlet size		Cooling water pressure	Cooling water flow	Cooling water temp.
1"PT (Female thread)		1~5Kg	≥44L/min	7℃



9	YM601212064.00	Exhaust fan 12x12CM/24 VAC 50/60HZ with plastic screen	Assembly	1	
8	YM30000500300	Multi-blade centrifugal fan DF-5	Assembly	1	
7	SMD-500H-D-ALL	Heating tank	Assembly	1	
6	YR60161604000	Pressure resistant MAX.-16 inner dia.16mm pressure resistant 40bar(Hanguo Sanshan brand)	Assembly	1	L=1M
5	SMD-500H-C-ALL	Cooler assembly	Assembly	1	
4	SMD-500H-B-ALL	Honeycomb assembly	Assembly	1	
3	YR60252500000	Pressure resistant MAX.-25 inner dia.25mm pressure resistant 20bar 40bar(Sanshan brand)	Assembly	1	L=2.2M
2	YW90310300000	Sandwich type air pipe #310x23CHSMD-500H-ALL-04)	Assembly	1	
1	YW88100000600	Cooler 2 SMD-500H-ALL-01	Assembly	1	
No.	Material No.	Name	Mat.	Num.	Remarks

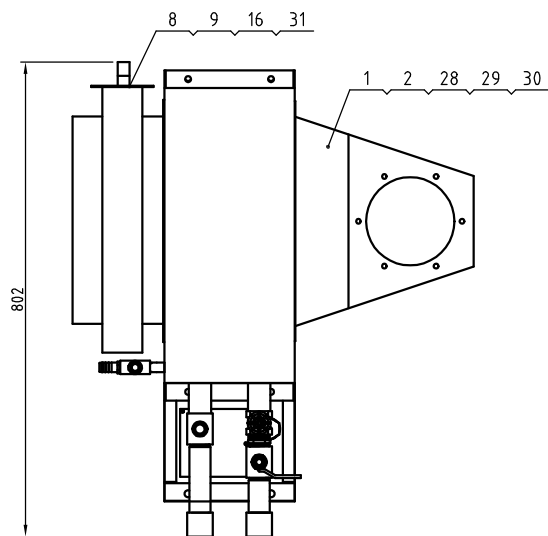
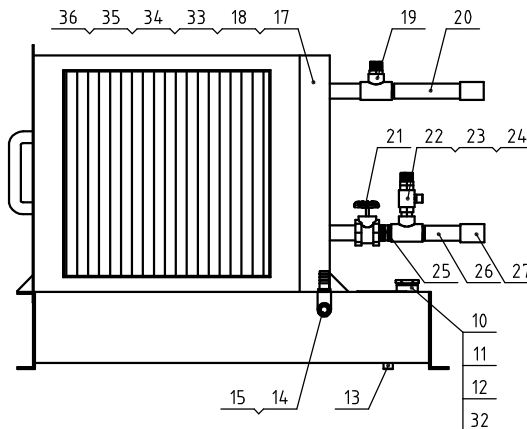
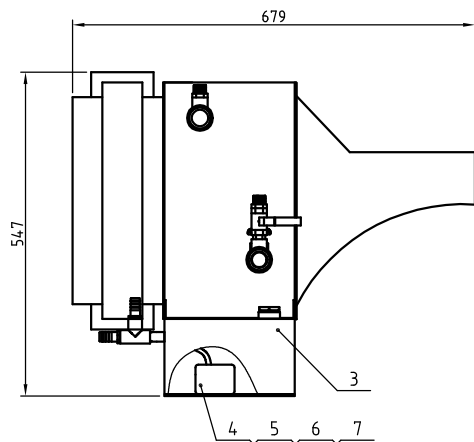
				制图	版号	SMD-500H		图号	SMD-500H-ALL		比例	1:15	数量	1
				设计	核准	模具除湿机					材质			
				校对							表面要求			
标记	更改前	更改后	更改人	日期	审核	日期	SHINI 信易电热机械股份有限公司 Shini Plastics Technologies, Inc.		物料号		BP33500300700			



34	YW63032500000	Cross socket pan head screw GB/T-818 M3x25-Longzine		2	
33	YW63040600000	Cross socket pan head screw GB/T-818 M4x6-Longzine		3	
32	YW61068200000	Inner hex. cylindrical screw GB/T70.1 M6x85-A2-70(SUS)		4	
31	YW68004500000	Inner hex. flat head lock screw GB/T777 M4x5-Longzine		3	
30	YW63044500000	Cross socket pan head screw GB/T-818 M4x45-Longzine		2	
29	YW62051500000	Large cross socket flat head screw JIS1111 M6x6-Longzine		4	
28	YW64000600300	Hex. nut GB/T6170 M6-Longzine		4	
27	YW66061300000	Flat washer A grade GB/T97.16-Longzine		12	
26	YW60061500100	Hex. bolt GB/T5783 M6x16-12.9-Longzine		4	
25	YW64001600000	Hex. nut GB/T6170 M16-Longzine		9	
24	YW66163000000	Flat washer A grade GB/T97.16-Longzine		12	
23	YW11062700000	Bearing 6272ZMC3E	Assembly	1	
22	BH33702200010	Gear motor fixed plate 2 SD-700H-B-22	6061	1	
21	BH33702300010	Fixed shaft SD-700H-B-23	SUS201	1	
20	BL04402200020	Micro switch fixed plate	SUS201	1	
19	YE14511200000	Limit switch YBLXW-5/11G2	Assembly	1	
18	YR40330900000	Micro switch box	ABS	1	
17	YR00304700000	Synchronous rubber 470XL	Rubber	1	
16	SD-400H-A-40	Belt regulator	Assembly	1	
15	SMD-500H-B-05	Regen. cooling plate	SUS201	1	
14	SMD-500H-B-03	Drying cooling plate	SUS201	1	
13	BH10020003110	Honeycomb mount shaft SD-200H-A-31	45	2	
12	SMD-500H-B-06	Air inlet pipe sealing pad	white silica gel	1	
11	SMD-500H-B-04	Lower cover air inlet pipe	welding parts	1	
10	BH13040003810	Gear motor mount plate SD-400H-A-38	AL	1	
9	BH10070001510	Positioning pipe SD-400H-A-37(ver.B)	AL6061	4	
8	YW08001400000	Synchronous wheel	45	1	
7	YM50512600000	Gear motor 3GN-10XK/3GN-60K/3K15GN-C-T	Assembly	1	
6	SMD-500H-B-02	Honeycomb upper cover	welding parts	1	
5	YW01201800000	Spring wire dia. 2.0x inner dia.18xL80mm distance 8	70	3	
4	YW71352000800	Honeycomb SMD-500H-B-08	full silica gel	1	
3	BH10533000010	Double-head screw SD-40H-B-07	SUS200	3	
2	SMD-500H-B-07	Silicone Teflon gasket	Teflon + red silica gel	2	
1	SMD-500H-B-01	Honeycomb lower cover	welding parts	1	
No.	Material No.	Name	Mat.	Num.	Remarks

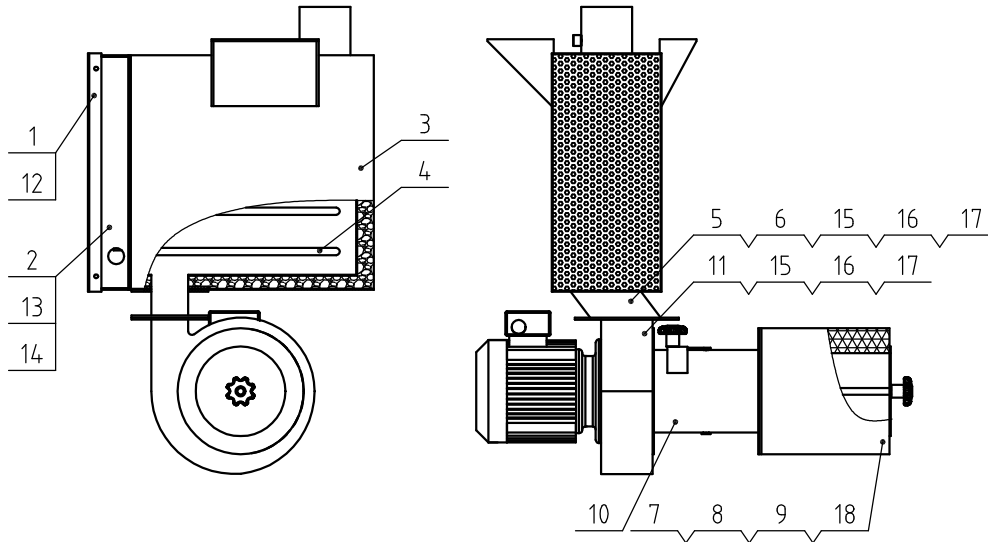
					制图	版号	标题	SMD-500H	图号	SMD-500H-B-ALL	比例	1:6	数量	1
					设计	核准	蜂巢组件				⊕	材质		
					校对						表面要求			
标记	更改前	更改后	更改人	日期	审核	日期					物料号			

SHINI 信易电热机械股份有限公司
Shini Plastics Technologies, Inc.



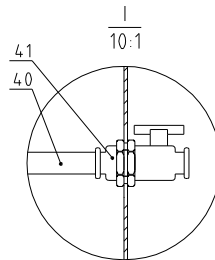
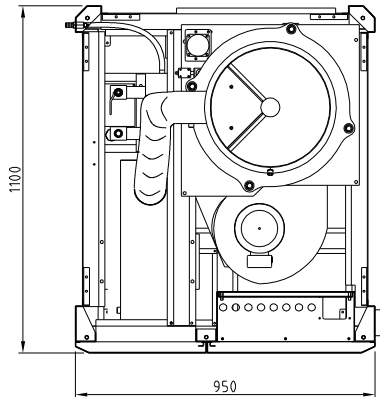
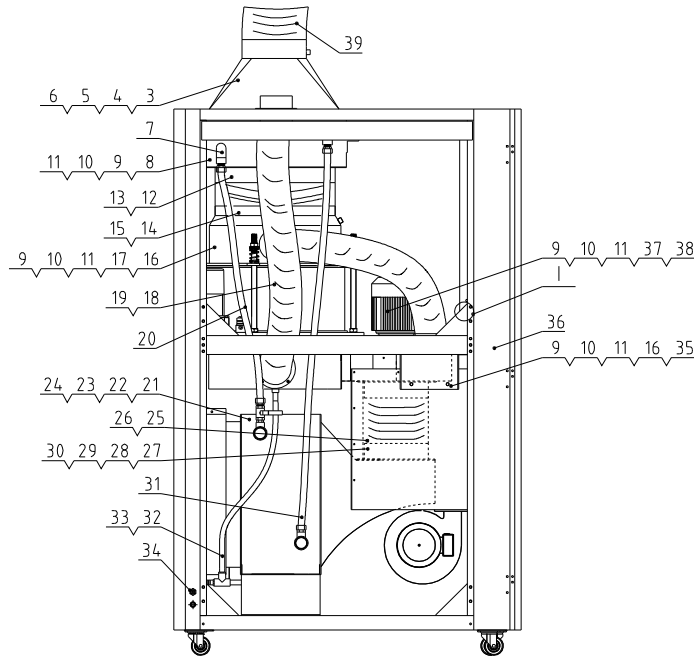
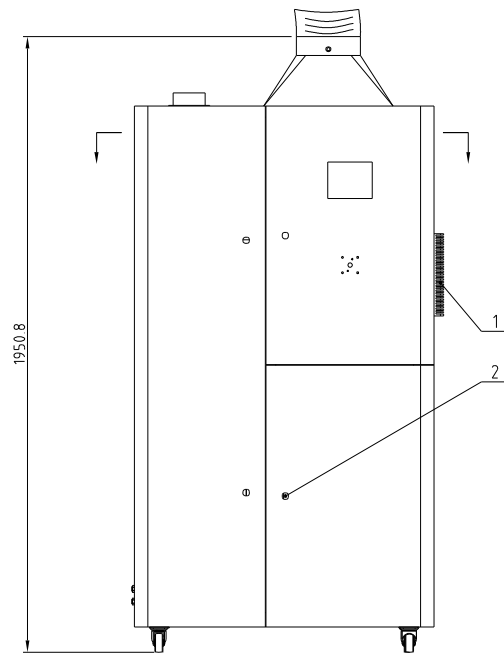
36	YW60102500000	Hex. bolt GB/T5783 M10x25-12.9-Longzine		4
35	YW66102000100	Flat washer A grade GB/T97.1 10(11x20x2)-Longzine		6
34	YW65010000000	Standard spring washer GB/T93 10-Longzine		4
33	YW64001000100	Hex. nut GB/T6170 M10-Longzine		2
32	YW63040600000	Cross recessed pan head screw GB/T-818 M4x6-Longzine		2
31	YW62061000000	Large cross socket flat head screw JIS111 M6x10-Longzine		1
30	YW60061500100	Hex. bolt GB/T5783 M6x16-12.9-Longzine		40
29	YW65006000100	Standard spring washer GB/T93 6-Longzine		40
28	YW66061300000	Flat washer A grade GB/T97.1 6-Longzine		40
27	YW51000100000	Galvanized water pipe direct connector 1"		2
26	SMD-500H-C-10	1" PT pipe both-end male thread 1		1
25	YW50000100000	Galvanized water pipe inner connector 1"(male thread)		1
24	BH12030401510	Copper insert 3/4"PTxφ25(S-124)		2
23	YW50030400000	Copper ball valve 3/4"		1
22	YW50003400600	Galvanized water pipe inner connector 3/4"(male thread)		1
21	YW50000101000	Sluice valve 1"		1
20	SMD-500H-C-09	1" PT pipe both-end male thread		1
19	YW52013400100	Galvanized water pipe diameter varied 3-way 1"x3/4"		2
18	SMD-500H-C-05	Cooler washer	EVA	1
17	SMD-500H-C-06	Cooler 1 SMD-500H-C-06	Assembly	1
16	SMD-1000H-C-08	Filter fender	SUS201	1 borrow
15	YW52100200000	Galvanized water pipe 3-way 1/2"		1
14	BH12121600010	Copper insert 1/2"PTxφ16(S-133)		2
13	YW80010200100	Plug 1/4"	SUS201	1
12	SMD-500H-C-02	Water pump cover plate	SUS201	1
11	YW59710100000	Float ball	Assembly	1
10	BH12011000020	Copper coupler	H58	1
9	YW90050000700	Filter core SMD-500H-C-07	Assembly	1
8	SMD-500H-C-03	Filter cover	Welding parts	1
7	YR60121000000	Air pipe φ12xφ8		0.02
6	YW80120800500	Air pipe quick direct diameter varied connector APG12-8		1
5	YM20245000100	Liquid level pump AC24V10W	Assembly	1
4	YR60000800000	PU air pipe φ8 blue	PU	1
3	SMD-500H-C-01	Dew tank	Welding parts	1
2	SMD-500H-C-08	Air cover washer	EVA	2
1	SMD-500H-C-04	Air cover	Welding parts	1
No.	Material No.	Name	Ma.F.	Num. Rem.

					制图	版号	标题	图号	比例	1:8	数量	1
					设计	核准	SMD-500H 冷却器组件	SMD-500H-C-ALL			材质	
					校对						表面要求	
标记	更改前	更改后	更改人	日期	审核	日期		信易电热机械股份有限公司 Shini Plastics Technologies, Inc.	物料号			



18	YW62061000000	Large cross socket pan head screw JIS1111 M6x10-Longzine		4	
17	YW66081900000	Flat washer A grade GB/T97.1 8(9x16x1.6)- Longzine		16	
16	YW65008000100	Standard spring washer GB/T93 8-Longzine		12	
15	YW60082500100	Hex. bolt GB/T5783 M8x25-12.9-Longzine		12	
14	YW66061300000	Flat washer A grade GB/T97.16- Longzine		12	
13	YW62061500000	Large cross socket pan head screw JIS1111 M6x15-Longzine		12	
12	YW62051500000	Large cross socket pan head screw JIS1111 M5x16-Longzine		4	
11	YM30000600000	Multi-blade centrifugal blower DF-6	Assembly	1	0.37KW
10	SMD-1000H-D-13	Air adjusting valve	Assembly	1	borrow
9	YW09675100000	Small star nut 5/16	Aluminum	2	
8	YR50181900000	Filter HAR ext. 188x inner 114/88xH191	Assembly	1	
7	SMD-500H-D-03	Filter fixed bracket	SPCC2.0	1	
6	SMD-500H-D-05	Sealing washer	EVA3.0	2	
5	SMD-500H-D-07	Large blower flange	SPCC	1	
4	BH70006300450	Pipe heater 6KW(SMD-500H-D-06)	Assembly	1	
3	SMD-500H-D-01	Heating case	Assembly	1	
2	SMD-500H-D-02	Pipe heater mount plate	SECC2.0	1	
1	SMD-500H-D-04	Heating tank cover plate	Q235A	1	
No.	Material No.	Name	Mat.	Num.	Rem.

					制图	版号	标题	图号	比例	1:10	数量	1
					设计	核准	SMD-500H 加热箱	SMD-500H-D-ALL			材质	
					校对		信易電熱機械股份有限公司 Shini Plastics Technologies, Inc.			表面要求		
标记	更改前	更改后	更改人	日期	审核	日期				物料号		

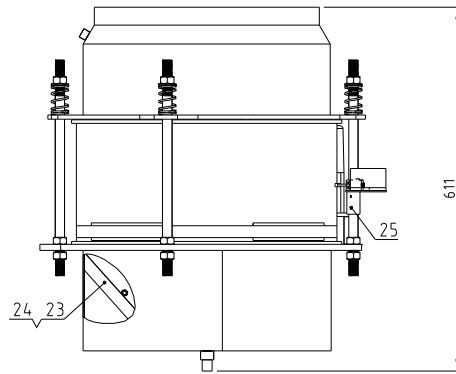
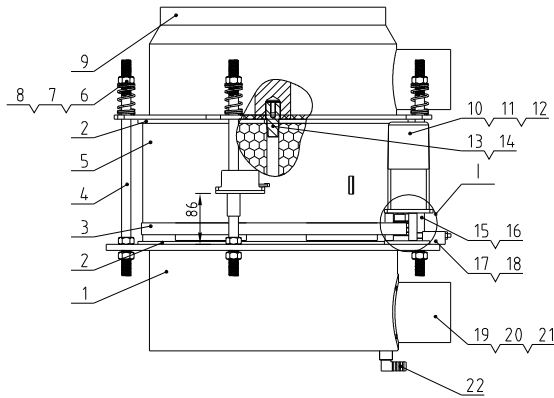


Regen blower power	Drying blower power	Regenerative heater power	Dehumidifying air quantity	Ver
0.25KW	1.1KW	12KW	1000m ³ /hr	Ver D
Dimensions of the inlet and outlet interfaces of the cooler		Cooling water pressure	Cooling water flow	Cooling water temp.
15"PT(female thread)		1~5Kg	≥100L/min	7℃

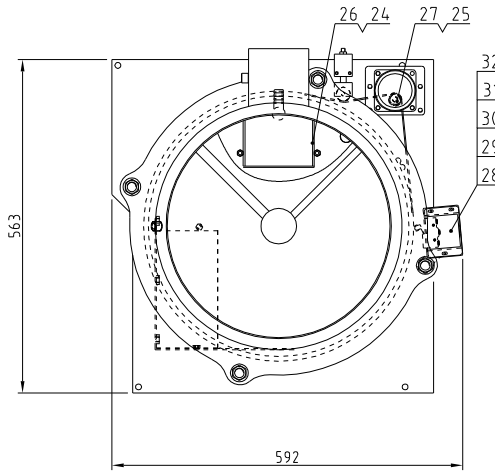
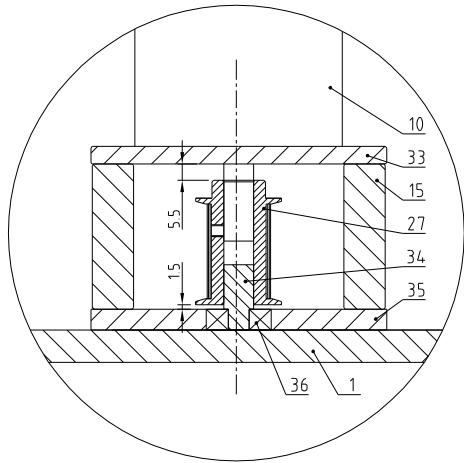
41	YW80066100100	Hand valve switch BUM-06		1	
40	YR60006400100	White Teflon air pipe 6x6mm	PTFE	1	
39	YW72080500100	Telescopic air duct 8" es # 5M	PVC	1	
38	SMD-1000H-ALL-05	Gasket one	EVA	1	
37	YM30000800300	Multi-ring centrifugal blower IP-3	Assembly	1	
36	SMD-1000H-A-ALL	Rack sheet metal	Assembly	1	
35	SMD-1000H-D-ALL	Heating box	Assembly	1	
34	YW80122200100	ballhead straight connector R1/2-M22	Assembly	1	
33	YW02182900000	Stainless steel tube bundle 18-28M	SUS	2	
32	YR60161604000	Pressure-resistant water pipe M16-16	Assembly	1	0.5m
31	YW59011300000	Teflon pipe + connector 1" * 1.3M	Assembly	1	
30	SMD-1000H-ALL-07	Fan air inlet gasket	EVA	2	
29	YW62052000000	Cross recessed flat head screw JIS1111		12	
28	SMD-1000H-ALL-04	Air inlet flange	Assembly	2	
27	SMD-1000H-ALL-08	Fan screen	SUS	1	
26	YW02008500000	Stainless steel tube bundle 8.5" es		4	
25	YW72080400000	Heat-resistant air duct 8" 4 n		0.1	
24	YW66102000100	Flat Washer Grade A G/797.1 10		8	
23	YW65010000000	Standard spring washer G/793 10		4	
22	YW60102500000	Hexagon head bolt G/7578 M12x-12.9		4	
21	SMD-1000H-C-ALL	Cooler components	Assembly	1	
20	YW59010800000	Teflon pipe + connector 1" * 0.77M		1	
19	YW02004500000	Stainless steel tube bundle 4.5" es		4	
18	YW72043600000	Heat-resistant air duct 4" es # 6 n		1	
17	SMD-1000H-B-ALL	Honeycomb components	Assembly	1	
16	YW64080600000	Hexagonal nut G/76170 M8		12	
15	YW02000800000	Stainless steel tube bundle 8" es		2	
14	YW90386300100	Hexagonal nut G/76170 M8		1	L=18CM
13	SMD-1000H-ALL-06	Gasket two	EVA	1	
12	SMD-1000H-ALL-02	Air outlet flange	Weldment	1	
11	YW66081900000	Flat Washer 6x19x2.0 Dark Rust		28	
10	YW65008000100	Standard spring washer G/793 8		28	
9	YW60082500100	Hexagon head bolt G/7578 M12x-12.9		28	
8	YW88100000600	Cooler 2 SMD-1000H-ALL-01 0	Assembly	1	
7	YW53100000000	1" galvanized water pipe elbow	Q235A	2	
6	YW66061300000	Flat Washer Grade 1 G/797.1 6-Flat Rust		16	
5	YW65006000100	Standard spring washer G/793 6		16	
4	YW60062000100	Hexagon head bolt G/7578 M12x20		16	
3	SMD-1000H-ALL-03	Air outlet hood	Weldment	1	
2	YW00816100000	Door lock (SS16-1 black with key)	Assembly	6	
1	YW90120700000	Aluminum radiator 3-400-ALL-20 (black)	ABS	1	

制图	版号	标题	SMD-1000H	图号	SMD-1000H-ALL	比例	1:15	数量	1
设计	核准	模具除湿机				材质	/		
校对	核准					表面要求	/		
标记	更改前	更改后	更改人	日期	审核	日期	物料号	/	





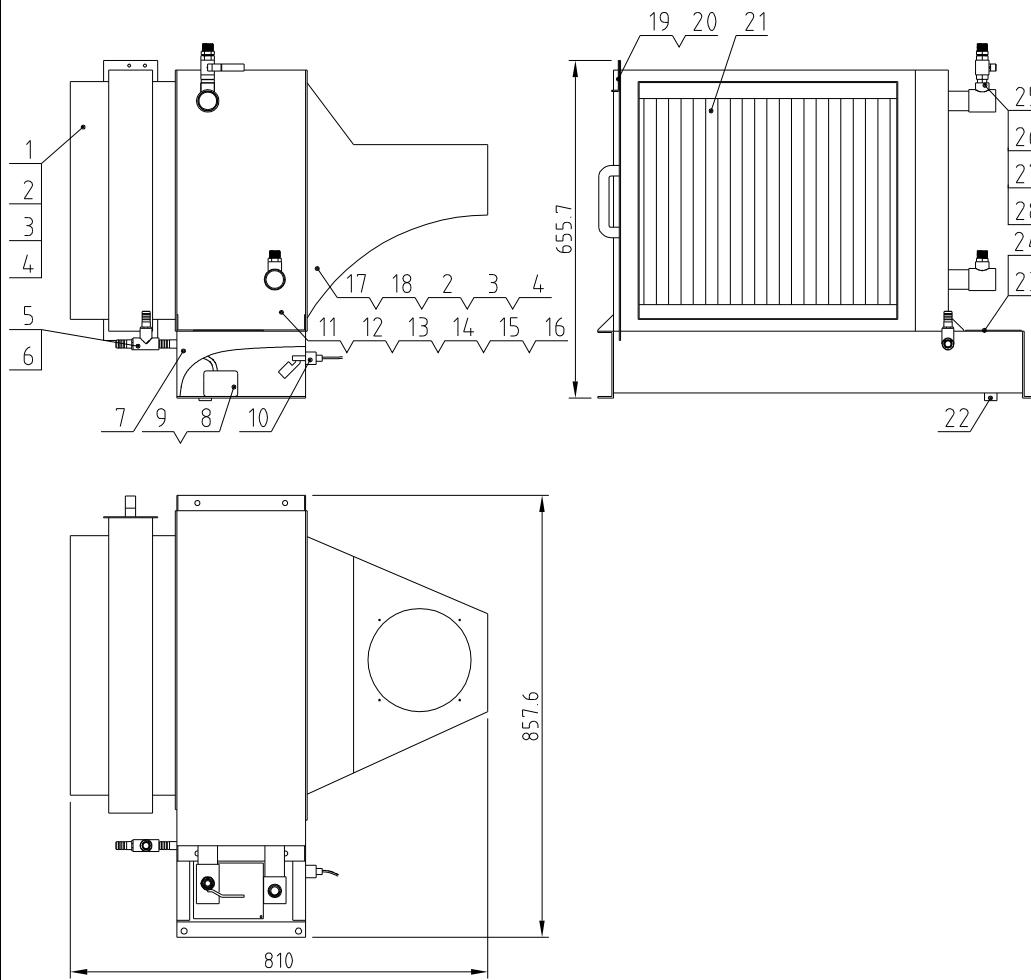
1/8.1



36	YW11062700000	Bearing 627ZZ1MC3E		1
35	BH33702200010	Gear motor mount plate 2 SD-700H-B-22		1
34	BH33702300010	Fixed shaft SD-700H-B-23		1
33	BH33700800010	Motor mounting plate 9-700H-B-4 (version B)		1
32	YW63032500000	Cross recessed pan head screw Q/T-818		2
31	YW63040600000	Cross recessed pan head screw Q/T-818		3
30	BL04402200020	Micro switch fitting plate 9-801-B-2 (version D)	SUS201	1
29	YE14511200000	Limit switch YBLAW-5/11G2	Assembly	1
28	YR40000600600	Micro switch box SAL-330-A-09	ABS	1
27	YW08001400000	Synchronous pulley H teeth SP-400H-A	45	1
26	SMD-1000H-B-05	Regenerated diffuser plate	SUS201	1
25	YW68004500000	Hexagon socket flat end set screw GB		3
24	YW62061500000	Cross recessed flat head screw JIS1111		4
23	SMD-1000H-B-03	Dry air diffuser board	SUS201	1
22	YW05316500100	Right angle poppet connector 3 points		1
21	YW62051500000	Cross recessed flat head screw JIS1111		4
20	SMD-1000H-B-06	Air inlet duct gasket	White silicon gel	1
19	SMD-1000H-B-04	Lower cover air inlet duct	Weldment	1
18	YW63043500000	Cross recessed pan head screw Q/T-818		2
17	SD-400H-A-40	Belt regulator	Assembly	1
16	YW61069000000	Hexagon socket head screw Q/TM.1 M6x9		4
15	BH10070001510	Positioning tube SD-400H-A-37	AL6061	4
14	YW68051000000	Hexagon socket flat end set screw		2
13	BH10020003110	Honeycomb mount shaft SD-200H-B-31	45	1
12	YW66163000000	Flat Washer Grade A Q/TM.1 16-hk hex		8
11	YW65006000100	Standard spring washer GB/T93 6		8
10	YM50512600000	Reducer 3/8"-10ML/3/8"-6ML/31X15W		1
9	SMD-1000H-B-02	Honeycomb upper cover	Weldment	1
8	YW64001600000	Hexagonal nut GB/T6170 M16		12
7	YW66163000000	Flat Washer Grade A Q/TM.1 16-hk hex		9
6	YW01180300000	Spring (timer diameter 18mm)		4
5	YW71044000800	Honeycomb plate Q/TM.1 (SD-1000H-B-6)		1
4	BH10533000010	Double-head screw SD-400H-B-07	SUS200	4
3	YR00305800000	Timing belt 580XL	Rubber	1
2	SMD-1000H-B-07	Silicone Teflon gasket	Unfilled silicon gel	2
1	SMD-1000H-B-01	Honeycomb lower cover	Weldment	1

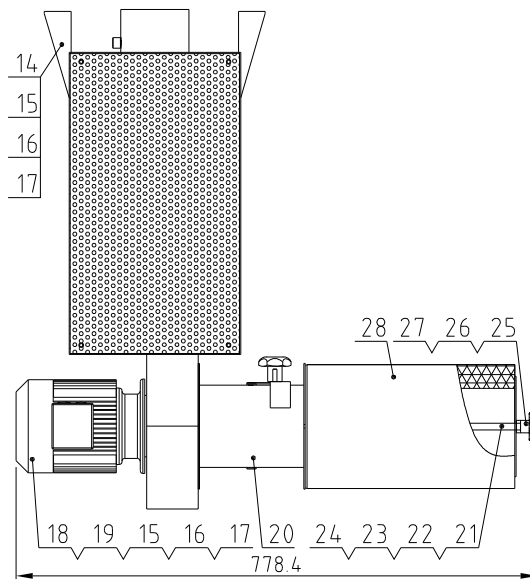
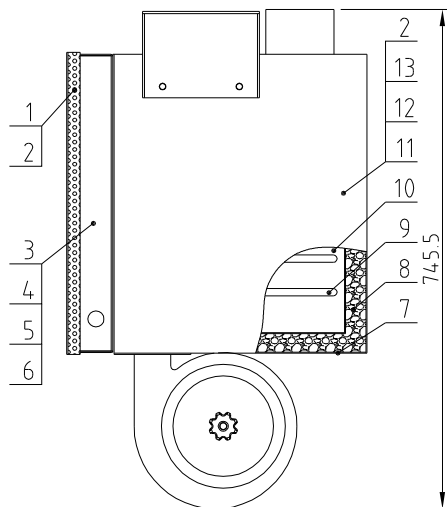
序号	代号	名称	材质	数量	备注
		标题 SMD-1000H	图号 SMD-1000H-B-ALL	比例 1:8	数量 1
		蜂巢组件		材质 /	
		SHINI 信易电热机械股份有限公司 Shini Plastics Technologies, Inc.		表面要求	/
		物料号			/

制图	版号	标题	图号	比例	数量	备注
设计	核准	SMD-1000H	SMD-1000H-B-ALL	1:8	1	
校对	核准	蜂巢组件				
标记	更改前	更改后	更改人	日期	审核	日期



28	BH12101000010	Copper fitting tube joint 1/2 inch PT * 1/2 inch O water tuck (S-9)	H58	2	
27	YW50010000000	Copper ball valve 1 inch	Assembly	1	
26	YW55001000000	Stainless steel wire pipe with 1 inch internal diameter (PT external thread) (S-20)	SUS304	1	
25	YW52105100000	Galvanized water pipe tee 1.5 inches * 1 inch	Q235A	2	
24	YW62041000000	Cross groove large flat head screw JISIII Hex10 Dacromet		2	
23	SMD-1000H-C-02	Water pump cover plate	SUS201	1	
22	YW80010200100	Plug 1/4	SUS201	1	
21	YW90100070300	Filter cartridge SMD-1000H-C-07	Assembly	1	
20	YW62061000000	Cross groove large flat head screw JISIII Hex10 Dacromet		1	
19	SMD-1000H-C-08	Filter baffle	SUS201	1	
18	SMD-1000H-C-09	Wind collection cover pad	EVA	1	
17	SMD-1000H-C-04	Wind collecting hood	SUS201	1	
16	YW64080600000	Hexagonal nut GB/T6170 M6 Dacromet		4	
15	YW66081900000	Flat washer 8x19x2.0 Dacromet		4	
14	YW65008000100	Standard spring washer GB/T93 8-Dacromet		4	
13	YW60082000200	Hexagonal head bolt GB/T5783 M6x20-8.8 Dacromet		4	
12	SMD-1000H-C-05	Cooling gasket	EVA	1	
11	YW88100600600	Cooler 1 SMD-1000H-C-06	Assembly	1	
10	YE90001600000	Side mount plastic shell/III liquid head switch with 1/2" PT size tuck	Assembly	1	
9	YR60000400000	PV trachea, diameter 12, black, 100m/roll	PU	2	
8	YM20245000100	Submersible pump K2450L, head 150M, flow 400L/h, power 10W		1	
7	SMD-1000H-C-01	Exposed sink	SUS201	1	
6	BH12121600010	Copper plug 1/2 inch PT * ϕ 16 (S-133)	H58	2	
5	YW52100200000	Galvanized water pipe tee 1/2 inch	Q235A	1	
4	YW66061300000	Flat washer Class A GB/T97.1 6-Dacromet		24	
3	YW65006000100	Standard spring washer GB/T93 6-Dacromet		24	
2	YW60061500100	Hexagonal head bolt GB/T5783 M6x16-12.9 Dacromet		24	
1	SMD-1000H-C-03	Filter hood	SUS201	1	
序号	代号	名称	材质	数量	备注

					制图	版号	标题	SMD-1000H	图号	SMD-1000H-C-ALL	比例	1:13	数量	1
					设计	核准	冷却器组件						材质	/
					校对			信易電熱機械股份有限公司	Shini Plastics Technologies, Inc.	表面要求	/			
标记	更改前	更改后	更改人	日期	审核	日期				物料号	/			

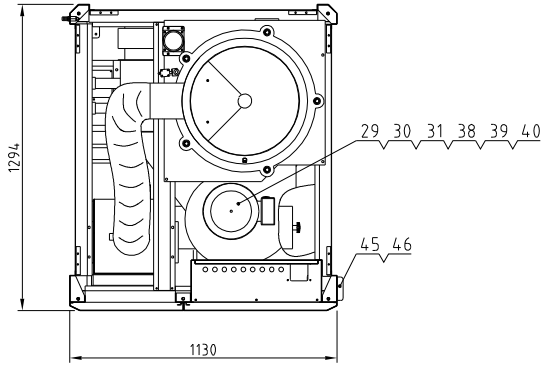
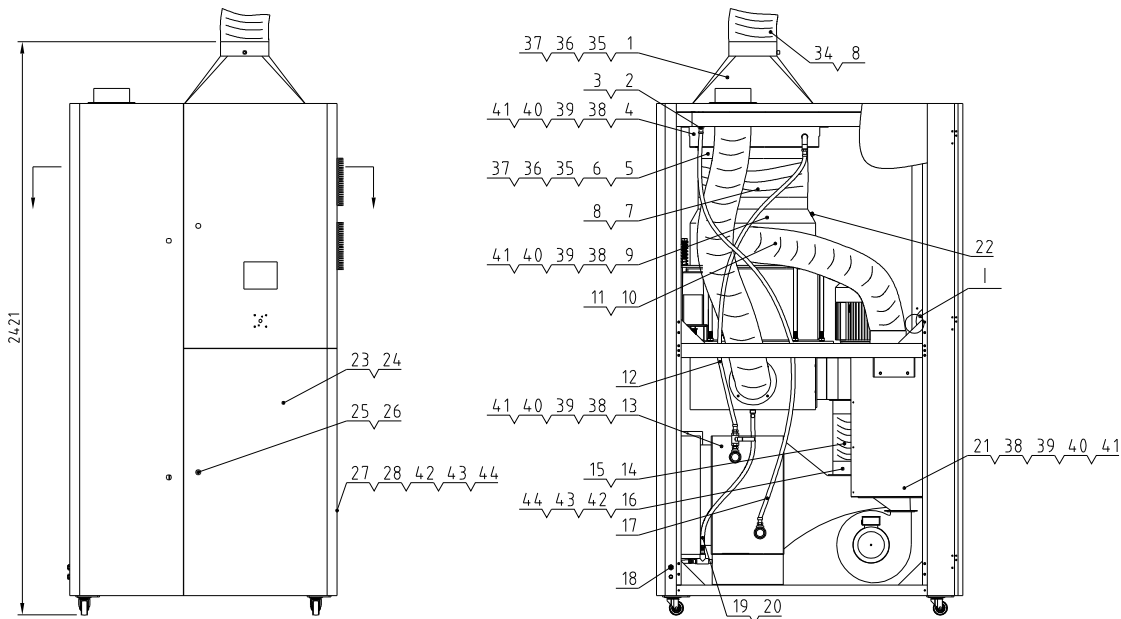


28	YR50181100000	Filter O-ring Tightening Rubber (SR-1000H+AL-00) Version 0	Assembly	1	
27	SMD-1000H-D-12	Filter pressure plate	SECC2.0	1	
26	YW66102500000	Flat washer 10x25x1.5 Dacromet		1	
25	YW09115600000	Big plus hexon nut M10 + 1.5 SR-100-0005-00-01 (made of aluminum alloy)	Assembly	1	
24	YW64040700000	Hexagonal Nut GB/T41 M4x0.7 Dacromet		4	
23	YW66041000000	Flat washer A/T97.1 4 (4.5x9x0.8) - Dacromet		8	
22	YW63042500000	Cross groove pan head screw Q/T-918 M4x25 Dacromet		8	
21	SMD-1000H-D-07	Filter fixing plate	SPCC	1	
20	SMD-1000H-D-13	Air regulating valve	SUS201	1	
19	SMD-1000H-D-09	Sealing gasket	silica gel	1	
18	YM30000200300	Multi ring castings for DP 3-phase 200/200/200 for A.250 II		1	
17	YW66081600000	Flat washer A/T97.1 (4.4 * 16 * 1.6) Dacromet rust		8	
16	YW65008000100	Standard spring washer GB/T93 8-Dacromet		8	
15	YW60082000200	Hexagonal head bolt GB/T5783 M6x20-8.8 Dacromet		8	
14	SMD-1000H-D-08	Heating box fixing plate	SOCC3.0	2	
13	YW69040900000	Open type flat round head aluminum pop rivets Q/T 12613 4-6		12	
12	SMD-1000H-D-05	Heating luggage board 2	SECC1.0	1	
11	SMD-1000H-D-02	Heating luggage board one	SECC1.0	1	
10	SMD-1000H-D-01	Heating box	SPCC	1	
9	BH70123200150	Electric heating tube 100 * 200/200 head (SR-1000H+10) version 0-1mpd		1	
8	YP62820140000	Fireproof felt thickness 200 * length 200 * width 10		1	
7	SMD-1000H-D-17	Heating luggage board three	SECC1.0	1	
6	YW66061300000	Flat washer Class A GB/T97.1 6-Dacromet		12	
5	YW62061500000	Cross groove large flat head screw JIS1111 M4x5 Dacromet		12	
4	SMD-1000H-D-11	Insulation gasket	Foamed red silical gel	1	
3	SMD-1000H-D-18	Electric heating tube installation plate	SECC2.0	1	
2	YW62052500000	Cross groove large flat head screw JIS1111 M4x5 Dacromet		10	
1	SMD-1000H-D-04	Heating box cover plate	Q235A	1	
序号	代号	名称	材质	数量	备注

					制图	版号	标题	SMD-1000H	图号	SMD-1000H-D-ALL	比例	1:10	数量	1
					设计	核准	加热箱					材质	/	
					校对						表面要求		/	
标记	更改前	更改后	更改人	日期	审核	日期					物料号		/	



信易電熱機械股份有限公司
Shini Plastics Technologies, Inc.

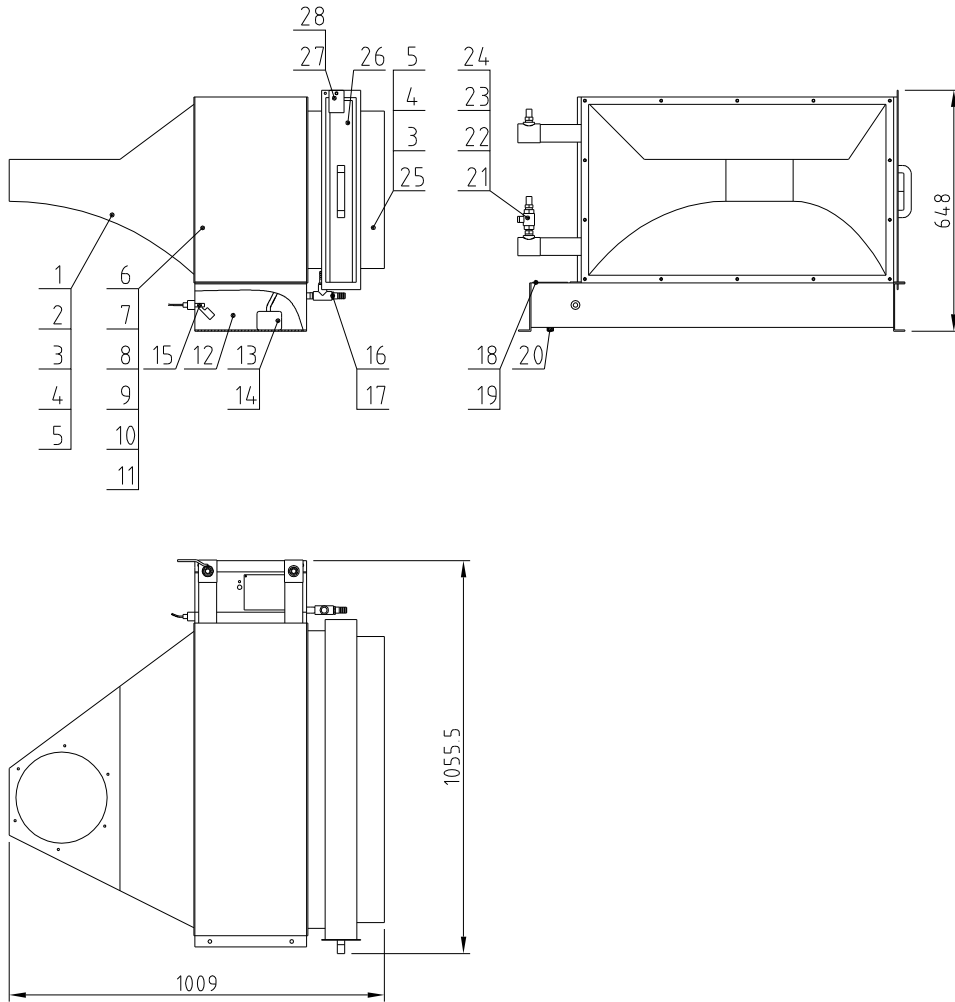


Regen blower power	Drying blower power	Regenerative heater power	Dehumidifying air quantity	Ver.
0.55KW	2.2KW	24KW	2000m ³ /hr	Ver E
Dimensions of the inlet and outlet interfaces of the cooler		Cooling water pressure	Cooling water flow	Cooling water temp.
1.25"PT(female thread)		1~5Kg	≥150L/min	7℃

41	YW64080600000	Hexagonal nut G2/16170 M8 Decromet		15
40	YW650080000100	Standard spring washer G2/16 6-Decromet		28
39	YW66081900000	Flat washer Sx15x2.0 Decromet		31
38	YW60082500100	Hexagonal head lock G2/16x16 Mx5-12.9 hex nut		28
37	YW66061300000	Flat washer Class A G2/16x1.6-Decromet		24
36	YW650060000100	Standard spring washer G2/16 6-Decromet		24
35	YW660615000100	Hexagonal head lock G2/16x16 Mx5-12.9 Decromet		24
34	YW72105000100	Expansion duct 10 inches x 6 (G-11PC)	PVC	1
33	YW80066100100	End plate with 1/2" (1/2" for the front 1/2" for the back)	Assembly	1
32	YR60006400100	Transparent Iron Purging Trucked Form	PTFE	2
31	SMD-2000H-09	Fan inlet sealing gasket 2	EVA	1
30	SMD-2000H-05	Sealing gasket one	EVA	1
29	YM30001100400	Mini air controller for P-Fan (SMD2000H to 2.0)	Assembly	1
28	YE67501500000	Cable head M50 * 1.5		2
27	BL503600000020	Thin film fixing plate 150x150 S-2-W with nut	SPCC	2
26	YW00816100600	Door lock (SMDH-1 black without key)	Assembly	4
25	YW00816100000	Door lock (SMDH-1 black attached key)	Assembly	2
24	YR90521300000	Hex head lock M5x20x1.6 hex M5x4.5 16.65 black	ABS	6
23	SMD-2000H-A-ALL	Rack sheet metal	Assembly	1
22	YW80602100100	Stainless steel hex head screw 1/2" x 1/2"	SUS	1
21	SMD-2000H-D-ALL	Heating box	Assembly	1
20	YW02182900000	Stainless steel tube 1/2" x 1/2" x 1/2" (SMD-2000H)	SUS	4
19	YR60161604000	Expansion gasket (Expansion gasket for the fan)	Assembly	1
18	YW80122200100	Partition straight connector 1/2" x 1/2" (SMD-2000H)	Assembly	1
17	YW59011700100	Insulating sleeve (1/2" x 1/2" x 1/2" for the fan)	Assembly	1
16	SMD-2000H-04	Inlet flange	Assembly	2
15	YW02010500000	Stainless steel tube 1/2" x 1/2" (SMD-2000H)	Assembly	4
14	YW72100400000	1/2" inch stainless steel pipe, 1/2" x 1/2" x 1/2" (SMD-2000H)	Assembly	0.07
13	SMD-2000H-C-ALL	Cooling components	Assembly	1
12	YW59011300000	Insulating sleeve (1/2" x 1/2" x 1/2" for the fan)	Assembly	1
11	YW02006500000	Stainless steel tube 1/2" x 1/2" x 1/2" (SMD-2000H)	SUS201	4
10	YW72060400000	1/2" inch stainless steel pipe, 1/2" x 1/2" x 1/2" (SMD-2000H)	Assembly	1
9	SMD-2000H-B-ALL	Honeycomb components	Assembly	1
8	YW02000800000	Stainless steel tube 1/2" x 1/2" x 1/2" (SMD-2000H)	SUS201	10
7	YW90182400000	Cup nut for lock, diameter 1/2" x 1/2" (SMD-2000H)	PVC	1
6	SMD-2000H-06	Sealing gasket 2	EVA	2
5	SMD-2000H-02	Air outlet flange	Weldment	1
4	YW88200000000	Cooler 2 SMD-2000H-01	Assembly	1
3	BH12101000010	Upper piping tube joint 1/2" x 1/2" x 1/2" (SMD-2000H)	Assembly	2
2	YW53100000000	Galvanized water pipe elbow 1 inch	Assembly	2
1	SMD-2000H-03	Exhaust hood	Weldment	1

4.6	YW6304.0600000	Cross groove pin head screw G2/16 M4 Decromet	4
4.5	YW90120700000	Aluminum radiator 30-100-10 (version A) (black)	6061 2
4.4	YW66061300000	Flat washer Class A G2/16x1.6-Decromet	10
4.3	YW65005200000	Standard spring washer G2/16 6-Decromet	10
4.2	YW62051000100	Cross groove hex flat head screw 1/2" x 1/2" M4 Decromet	10

				制图	版号	标题	图号	比例	1:20	数量	1	
				设计	核准	SMD-2000H	SMD-2000H-ALL		数量	/	材质	/
				校对		模具除湿机			表面要求	/		
标记	更改前	更改后	更改人	日期	审核	SHINI 信易电热机械股份有限公司 Shini Plastics Technologies, Inc.		物料号	/			

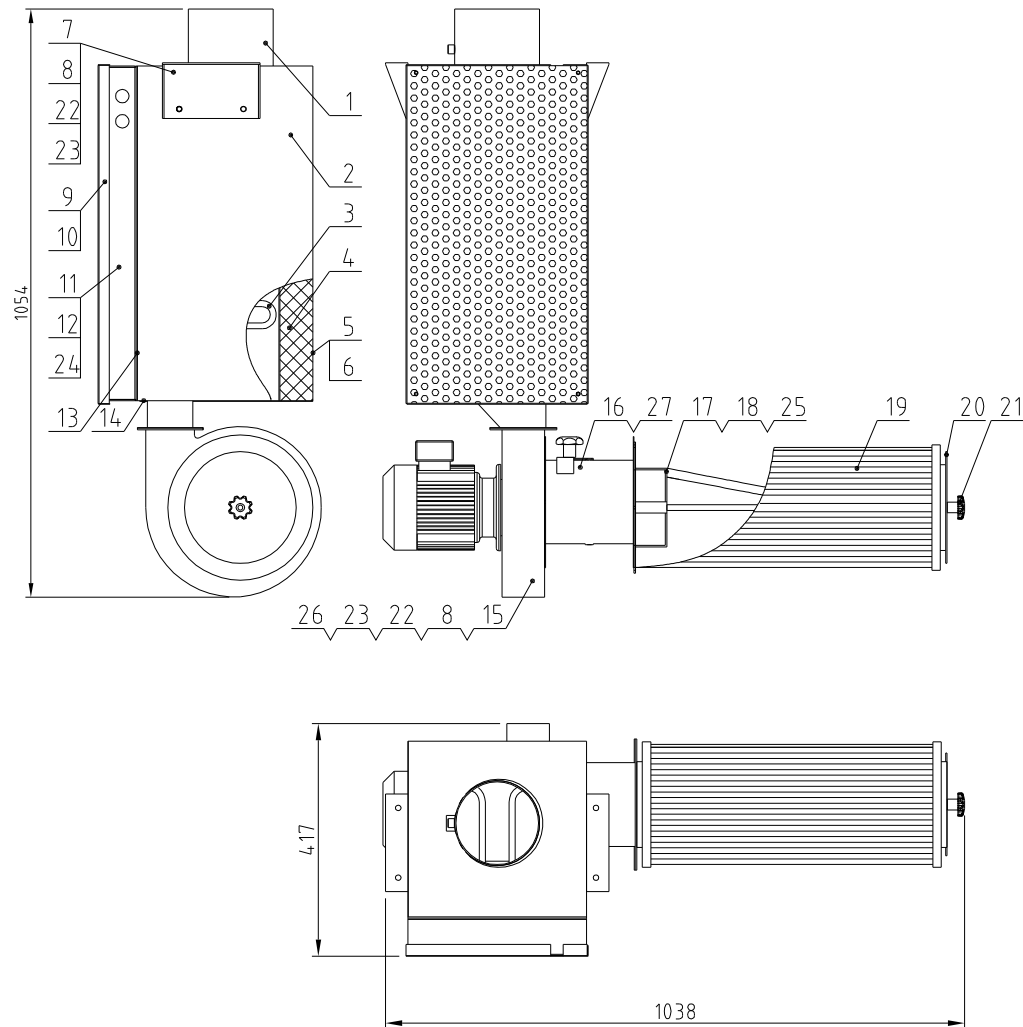


28	YW62061000000	Cross groove large flat head screw JIS1111 M6x10 Dacromet		1	
27	SMD-2000H-C-08	Filter baffle	SUS201	1	
26	YW90200000300	Filter cartridge SMD-2000H-C-07	Assembly	1	
25	SMD-2000H-C-03	Filter hood	Weldment	1	
24	YW50010000000	Copper ball valve 1 inch	Assembly	1	
23	BH12101000010	Copper fitting tube joint 1-inch PT * 1-inch II water teeth (S-94)	H58	2	
22	YW55001000000	Stainless steel water pipe with 1-inch internal connection (PT external head) (S-94)	SUS304	1	
21	YW52105100000	Galvanized water pipe tee 1.5 inches * 1 inch	Q235	2	
20	YW80010200100	Plug 1/4	SUS201	1	
19	YW62041000000	Cross groove large flat head screw JIS1111 M6x10 Dacromet		2	
18	SMD-2000H-C-02	Water pump cover plate	SUS201	1	
17	BH12121600010	Copper plug 1/2 inch PT * φ 16 (S-133)	H58	2	
16	YW52100200000	Galvanized water pipe tee 1/2 inch	Q235	1	
15	YE90001600000	Self-mounting plastic ball valve liquid head with 1/2" water teeth	PP	1	
14	YR600000400000	PU trachea, diameter 12, black, 100m/roll	PU	0.02	
13	YM20245000100	Submersible pump K20FSH, head 150N, flow 60L/H, power 10W	Assembly	1	
12	SMD-2000H-C-01	Exposed sink	Weldment	1	
11	YW64080600000	Hexagonal nut GB/T6170 M6 Dacromet		4	
10	YW66081900000	Flat washer 8x19x2.0 Dacromet		4	
9	YW65008000100	Standard spring washer GB/T93 8-Dacromet		4	
8	YW60082000200	Hexagonal head bolt GB/T5783 M6x20-8.8 Dacromet		4	
7	SMD-2000H-C-05	Cooling gasket	EVA	1	
6	YW88200001400	Cooler SMD-2000H-C-06/02	Assembly	1	
5	YW66061300000	Flat washer Class A GB/T97.1 6-Dacromet		28	
4	YW65006000100	Standard spring washer GB/T93 6-Dacromet		28	
3	YW60061500100	Hexagonal head bolt GB/T5783 M6x16-12.9 Dacromet		28	
2	SMD-2000H-C-09	Wind collection cover pad	EVA	1	
1	SMD-2000H-C-04	Wind collecting hood	Weldment	1	
序号	代号	名称	材质	数量	备注

					制图	版号	标题	SMD-2000H	图号	SMD-2000H-C-ALL	比例	1:18	数量	1
					设计	核准	冷却器一					材质	/	
					校对						表面要求		/	
标记	更改前	更改后	更改人	日期	审核	日期					物料号		/	



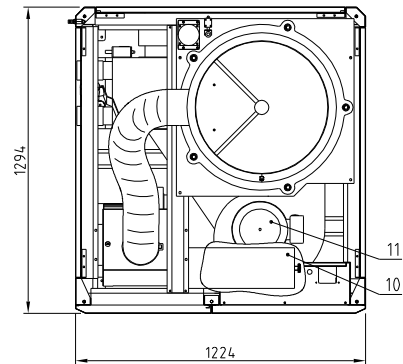
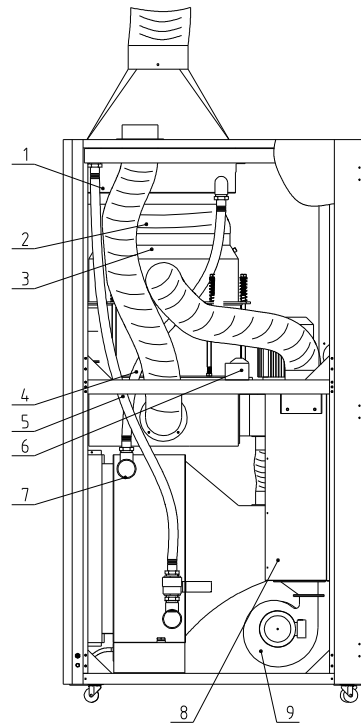
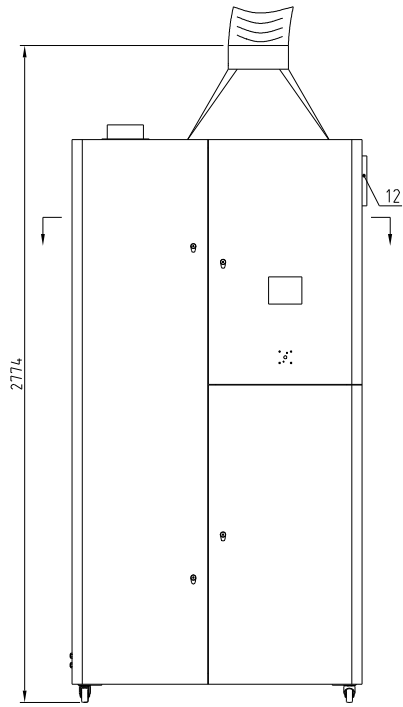
信易電熱機械股份有限公司
Shini Plastics Technologies, Inc.



27	SMD-2000H-08	Fan inlet sealing gasket	EVA3.0	1	
26	SMD-2000H-07	Sealing gasket three	EVA3.0	1	
25	YW64050300000	Hexagonal Nut GB/T6170 M5 Dacromet		4	
24	YW66061300000	Flat washer Class A GB/T97.1 6-Dacromet		16	
23	YW65008000100	Standard spring washer GB/T93 8-Dacromet		8	
22	YW66081900000	Flat washer 8x19x2.0 Dacromet		8	
21	YW09115600000	Big plus hex nut M8 + 1.5 GB/T6170-8.8 (made of aluminum alloy)		1	
20	SMD-2000H-D-12	Filter pressure plate	SECC2.0	1	
19	YR5024.14.00100	Filter AWC Tightening Rubber (SMD-2000H-D-ALL-11) Version C		1	
18	YW62051500000	Cross groove large flat head screw JIS1111 M6x16 Dacromet		4	
17	SMD-2000H-D-07	Filter fixing plate	SPCC	1	
16	SMD-2000H-D-13	Air regulating valve	SUS201	1	
15	YM30000500300	Multi ring centrifugal fan 10" 5.5 phase 220V/200V/200V fan A.2500 30		1	
14	SMD-2000H-D-16	Heating luggage board three	SPCC	1	
13	SMD-2000H-D-11	Insulation gasket	Silical gel	1	
12	YW62061500000	Cross groove large flat head screw JIS1111 M6x16 Dacromet		16	
11	SMD-2000H-D-03	Electric heating tube installation plate	SECC2.0	1	
10	YW62051000100	Cross groove large flat head screw JIS1111 M6x10 Dacromet		4	
9	SMD-2000H-D-04	Heating box cover plate	Q235A	1	
8	YW60082500100	Hexagonal head bolt GB/T5783 M8x25-12.9-bk rest		8	
7	SMD-2000H-D-08	Heating box fixing plate	SPCC3.0	2	
6	YW69040900000	Open type flat round head aluminum pop rivets Q/T 26313 4-3		9	
5	SMD-2000H-D-02	Heating luggage board one	SECC1.5	1	
4	YP6282014.0000	Fireproof felt thickness 2mm * length 200 * width 10		0.028	
3	BH70200002350	Electric heating tube 2000 * 200/1000 three (SMD-2000H-D) 0-type		1	
2	SMD-2000H-D-05	Heating luggage board 2	SECC1.5	1	
1	SMD-2000H-D-01	Heating box	Weldment	1	
序号	代号	名称	材质	数量	备注

					制图	版号	标题	SMD-2000H	图号	SMD-2000H-D-ALL	比例	1:12	数量	1
					设计	核准	加热箱					材质	/	
					校对						表面要求		/	
标记	更改前	更改后	更改人	日期	审核	日期					物料号		/	

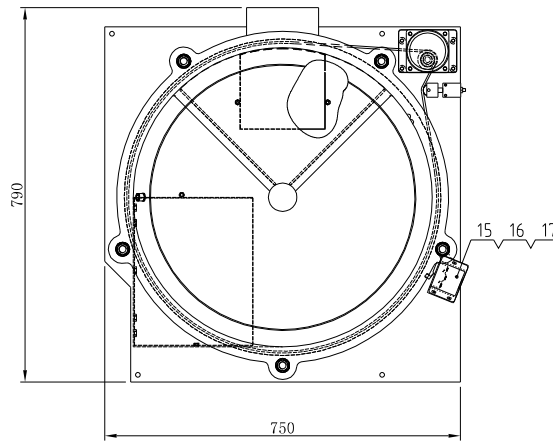
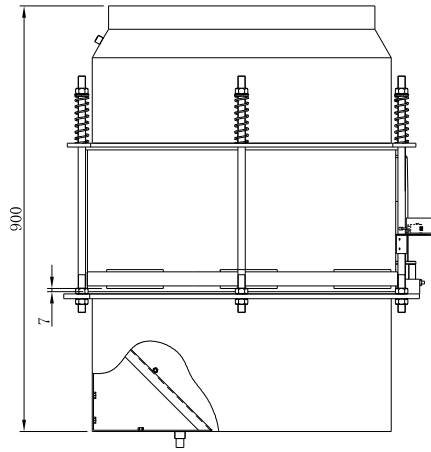
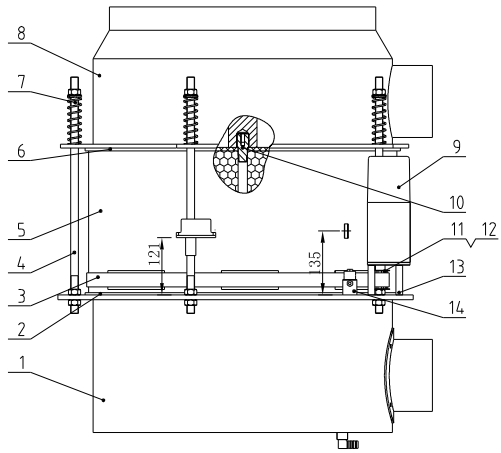




regen. blower power	drying blower power	regen. heater power	dehumidifying air flow	Version No.
0.75KW	3KW	30KW	3000m ³ /hr	Ver. C
cooler inlet and outlet port dimension		cooling water pressure	cooling water flow	cooling water Temp.
2.5"PT(female thread)		1~5Kg	≥190L/min	7°C

12	YM60121206400	Exhaust Blower 12-12CM/24VAC 50/60HZ with plastic screen		1	
11	YM30001200300	Multi-blade centrifugal fan DF-12 3pinx220V/280V/50Hz Blower 30W IN		1	
10	YR50241400100	Filter ADC3 Fastener rubber (SMD-2000H-A-ALL-11) ver B		1	
9	YM30000800600	Multi-blade centrifugal fan DF-18A 3pinx220V/280V/50Hz Blower 615W IN		1	
8	SMD-3000H-D-ALL	Heating case		1	
7	SMD-3000H-C-ALL	Honeycomb assembly		1	
6	BH90115000050	Assembly EG0115-320r 55 13262 160		1	
5	YW59151800000	Teflon + connector 15"×18M (200r)		1	
4	YW59151200000	Teflon + connector 15"×12M (200r)		1	
3	SMD-3000H-B-ALL	Honeycomb assembly		1	
2	YW90222100000	Lamp air pipe Φ56±3mm×21cm (SMD-3000H-ALL-16)		1	
1	YW88300001400	Cooler 2 SMD-3000H-01		1	
序号	代号	名称	材质	数量	备注

					制图	版号	标题	图号	比例	1:20	数量	
					设计	核准	SMD-3000H	SMD-3000H-ALL				
					校对		模具除湿机					材质
					审核		信易电热机械股份有限公司 Shini Plastics Technologies, Inc.					表面要求
标记	更改前	更改后	更改人	日期	审核	日期						

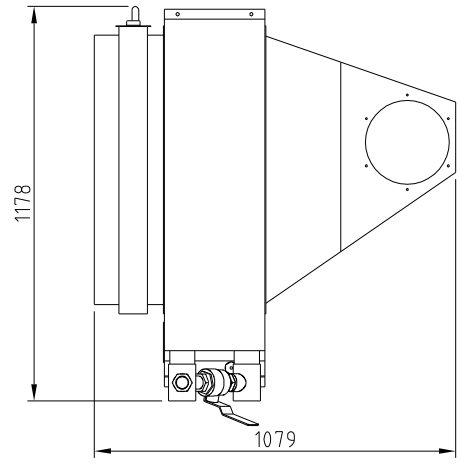
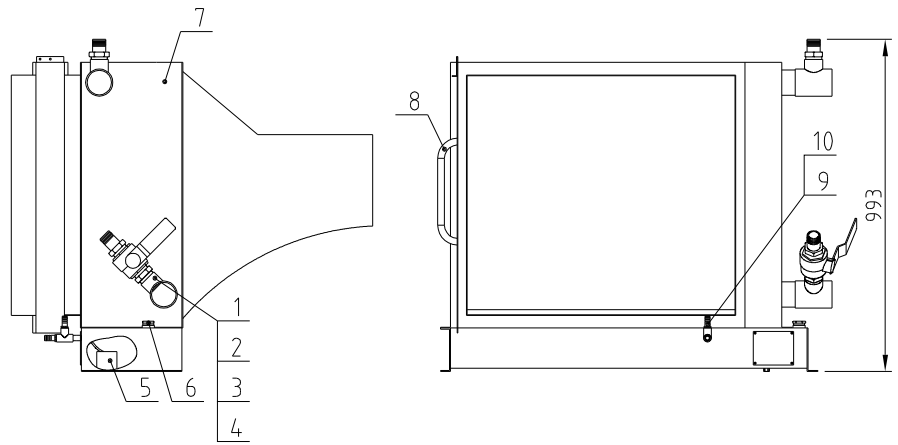


17	BL04.4.02200020	Micro switch fixed piece SD-40H-A-22(ver.A)		1	
16	YE14.511200000	Levit switch YR-XM-5/102		1	
15	YR4.0000600600	Micro switch SAL-300-A-00(plastics)ballthe equi		1	
14	BH10200002610	Belt regulator SD-2000H-A-39		1	
13	BH13100900010	Positioning ppe SD-1000H-B-09(LY10)		4	
12	BH11301000010	Synchronizing wheel built-in SMD-3000H-B-07(L5M)		1	
11	YW09151100000	Synchronizing wheel SMD-3000H-B-11 (ver.01)(SUS-1500H-B-11)		1	
10	BH11101300010	Honeycomb Round Shaft SD-1000H-B-13(L5 Silver B)		2	
9	YM10960000000	Gear motor CM90G65DF +CG986051S +CG9810X		1	
8	BL09300000020	Honeycomb upper cover SMD-3000H-B-02		1	
7	YW01180300000	Spring liner dia. 18mm wire dia. 3mm L. 80mm		5	
6	YR10200010300	Upper cover seal ring SMD-3000H-B-10(ver.0)		1	
5	YW71065000800	Honeycomb W550x796 (SMD-3000H-B-08 ver. All(silica gel))		1	
4	BH1054.3000010	Double-head screw SD-1500H-B-13(SUS200)ver.0		5	
3	YR00358600000	Synchronizing belt 3x-85(L (L 278L Lmm. rubber))		1	
2	YR10200010200	Lower cover seal ring SMD-3000H-B-09(0)		1	
1	BL09300000120	Honeycomb lower cover SMD-3000H-B-01		1	
序号	代号	名称	材质	数量	备注

					制图	版号
					设计	核准
					校对	日期
标记	更改前	更改后	更改人	日期	审核	日期

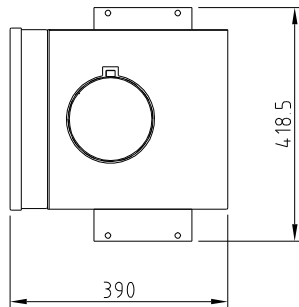
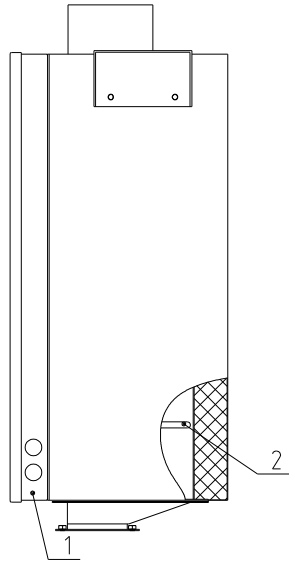
标题	SMD-3000H 蜂巢组件	图号	SMD-3000H-B-ALL	比例	数量
				材质	
			表面要求		
			物料号		

SHINI 信易电热机械股份有限公司
Shini Plastics Technologies, Inc.



10	BH12121600010	Copper insert 1/2"PTxφ16IS-133I		2	
9	YW52100200000	Galvanized water pipe three way 1/2"		1	
8	YW90300000300	Screening program filter core SMD-3000H-C-08		2	
7	YW88300007000	Cooler 1 SMD-3000H-C-07(A)		6	
6	YW59710100000	Two-contacts elec. floating ball FDR1S710105F withstand voltage 25kg/200 degree		1	
5	YM20245000100	Submersible pump AC24V50H Lift:115CM, flow: 600L/H, power:10W		1	
4	YW50001500100	Zincplated water pipe connector 1.5" (male thread)		1	
3	YW09015150000	Teflon pipe connector 1.5" PTx1.5" H		4	
2	YW50015000000	Copper ball valve 1.5"		1	
1	YW52251500000	Zincplated water pipe three way 2.5"x 1.5"		2	
序号	代号	名称	材质	数量	备注

					制图	版号	标题	SMD-3000H	图号	SMD-3000H-C-ALL	比例	1:20	数量	
					设计	核准	冷却器一		Galvanized			材质		
					校对						表面要求			
标记	更改前	更改后	更改人	日期	审核	日期	信易電熱機械股份有限公司 Shini Plastics Technologies, Inc.				物料号			



2	BH70300002450	Pipe heater 30KW/3x230V/400V (SMD-3000H-D-10M)		1	
1	SMD-3000H-D-03	Pipe heater mount plate		1	
序号	代号	名称	材质	数量	备注

					制图	版号	标题	SMD-3000H	图号	SMD-3000H-D-ALL	比例	数量
					设计	核准	加热箱					材质
					校对		信易電熱機械股份有限公司 Shini Plastics Technologies, Inc.				表面要求	
标记	更改前	更改后	更改人	日期	审核	日期						物料号