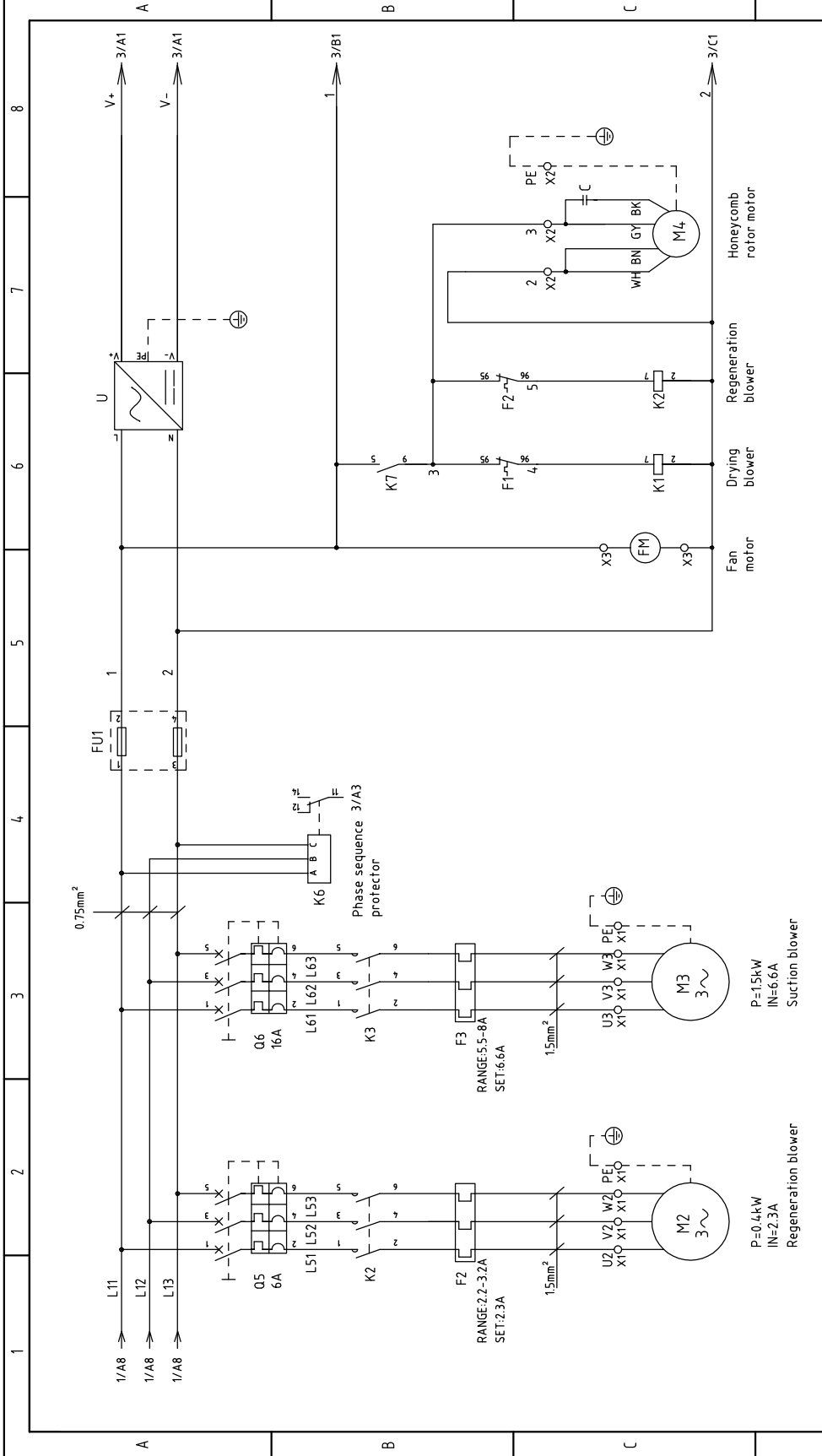


整机版本 Ver.D

Mark	Before modification	After modification	Modified by	Modify date	Checked by	Proofofread by	Designer	Drawer	Version	0	Title	SCD-20U(40U)/30H-OP-LC Electrical Diagram 1		Drawing NO.	SCD-20U(40U)/30H-OP-LC-CE-230V-0-1		Scale	Page 1	
											Approved by			Standard	CE	Totally 10	Pages		
																		Voltage	230V
																		Frequency	50Hz

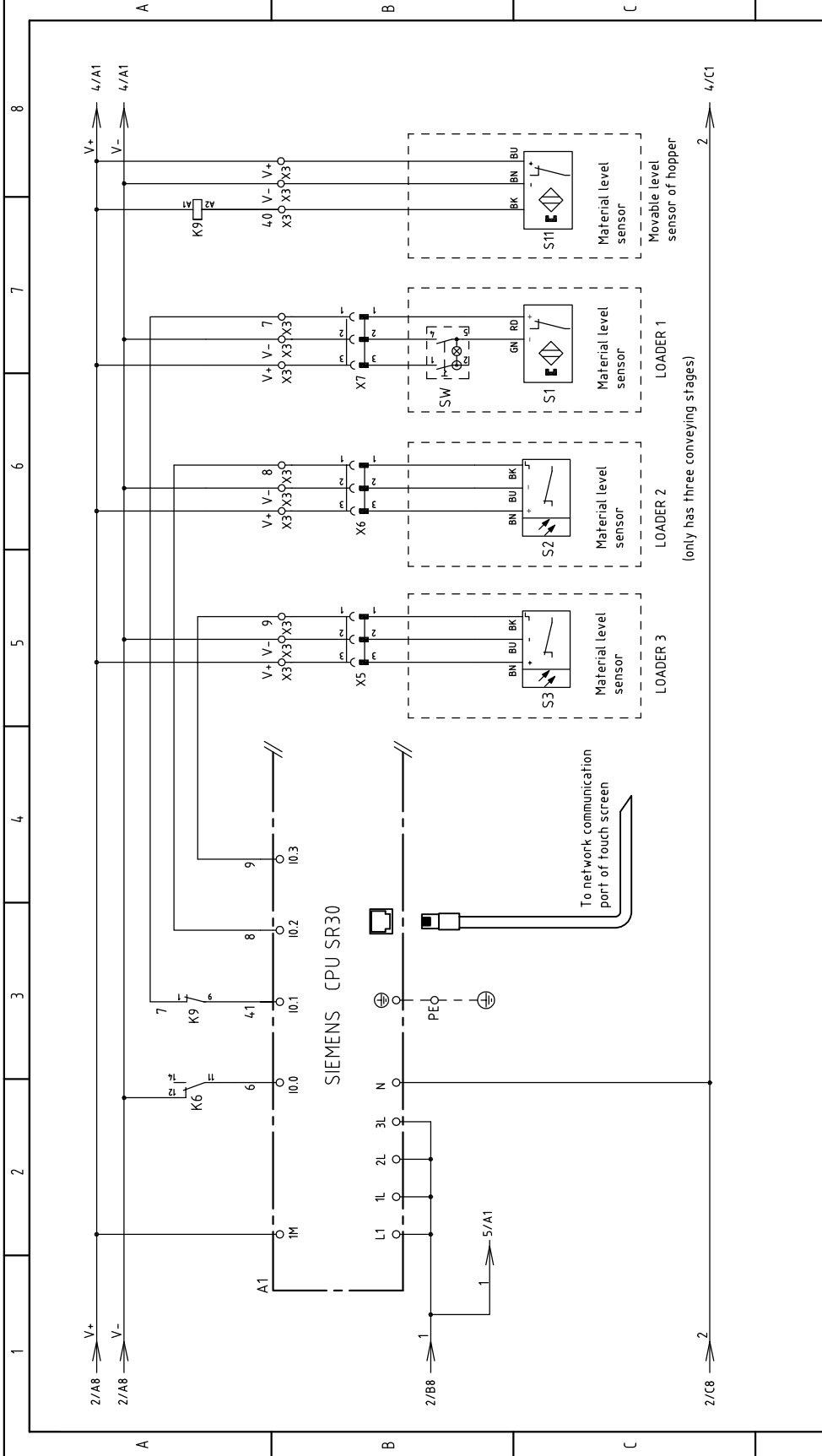




整机版本 Ver.D

Mark	Before modification	After modification	Modify date	Checked by	Designer	Drawer	Version	0	Title	SCD-200(40U)/30H-OP-LC		Drawing NO.	Scale	Page
							Approved by		Electrical Diagram 2	SCD-200(40U)/30H-OP-LC-CE-230V-0-2			Standard	Page 2
							Proofread by							Totally 10
							Checked by	20170817						CE
														Voltage
														230V
														Frequency
														50Hz

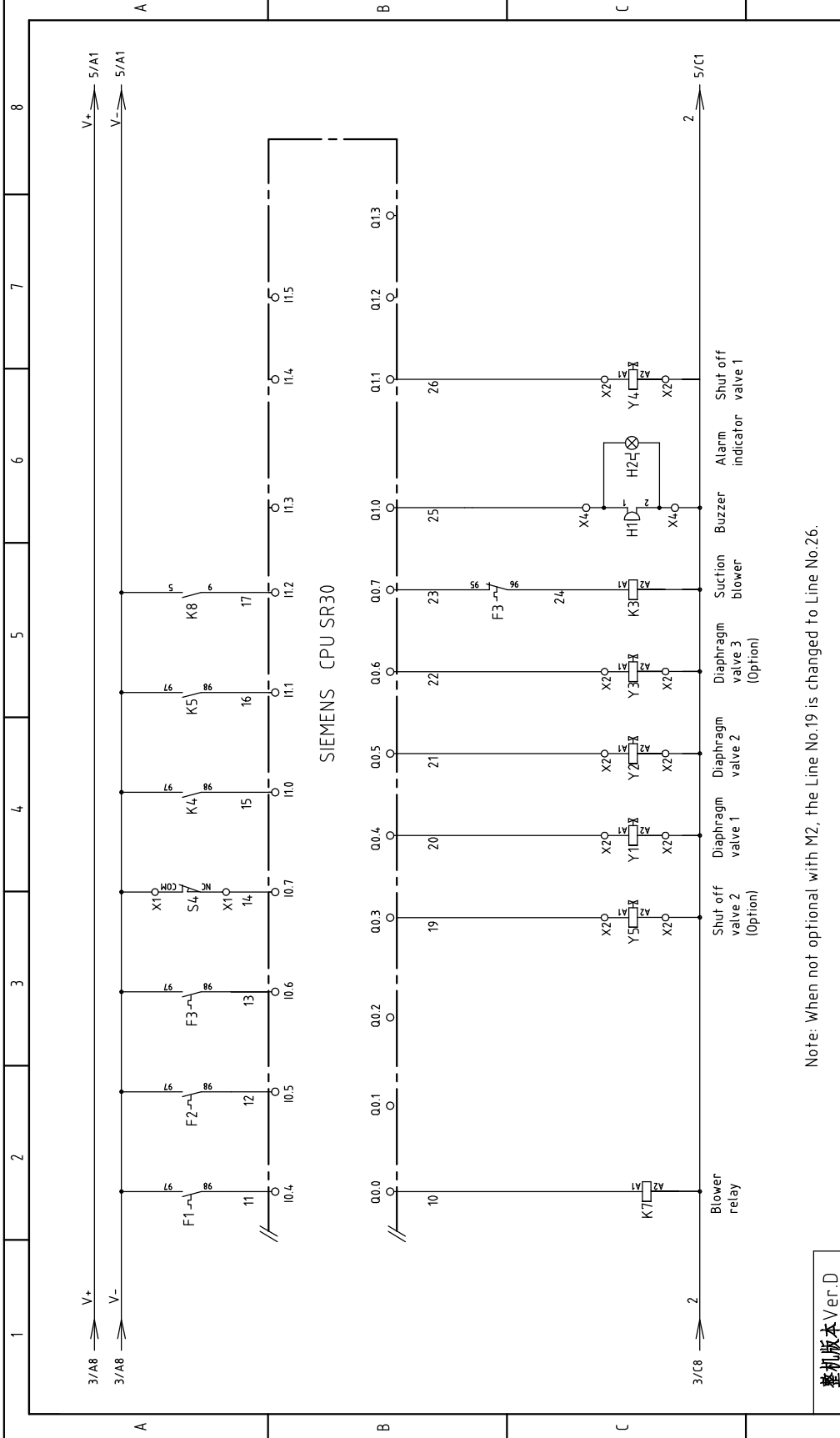




整机版本 Ver.D

Mark	Before modification	After modification	Modified by	Modify date	Checked by	Date	20170817
Designer							
Proofread by							
Approved by							
Version	0						
Title	SCD-200I(400)/30H-OP-LC Electrical Diagram 3		Drawing NO. SCD-200I(400)/30H-OP-LC-CE-230V-0-3				
Scale	Standard	CE	Voltage		230V		
Page	3	Totally		10			
Pages	Frequency		50HZ				





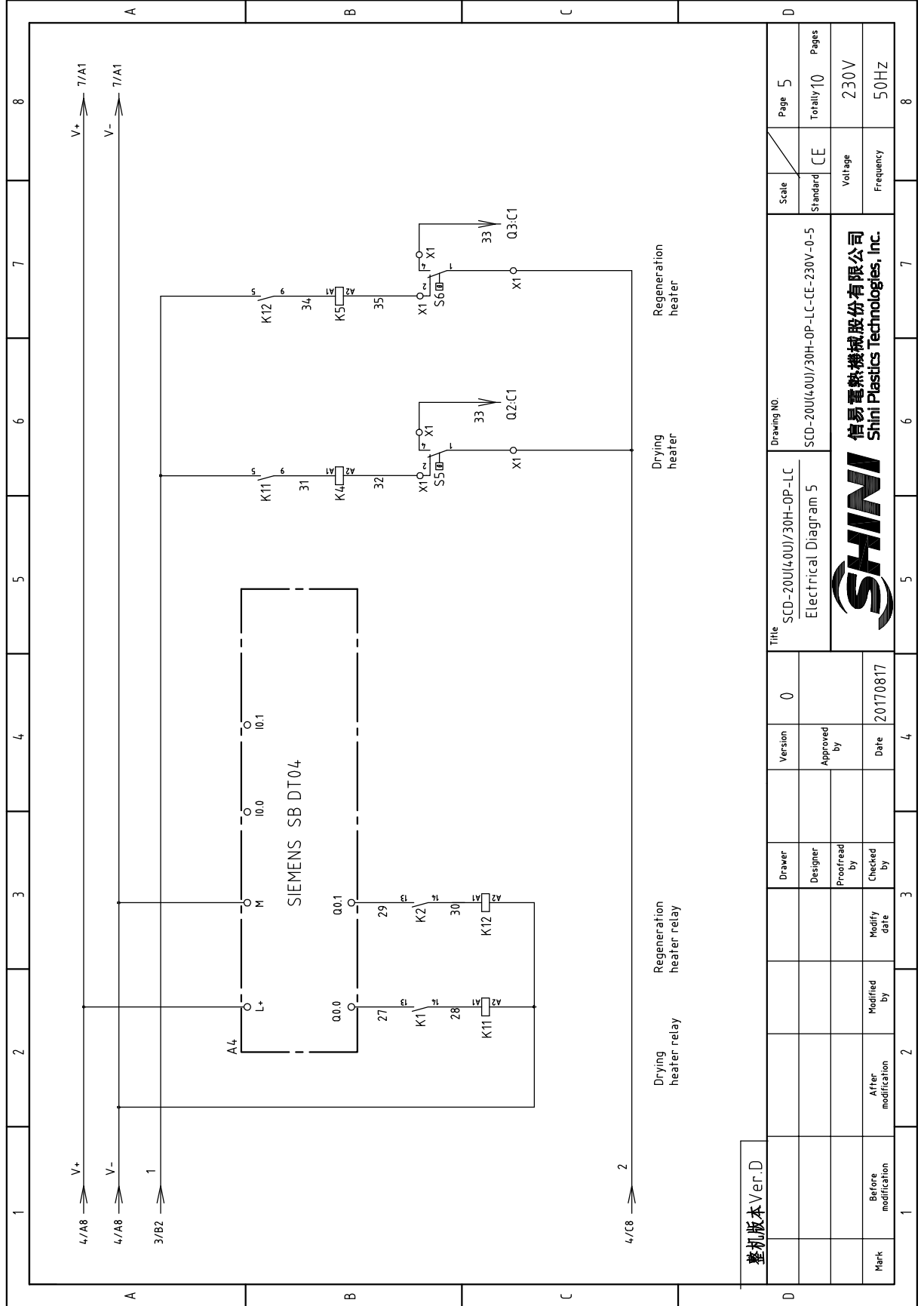
Note: When not optional with M2, the Line No.19 is changed to Line No.26.

整机版本 Ver.D	Version	0	Drawer	Designer	Proofread by	Checked by	Modify Date	Mark
	Approved by						20170817	After modification
								Before modification

Scale	Page	4
Standard	Totally	10
Voltage	Pages	230V
Frequency		50HZ

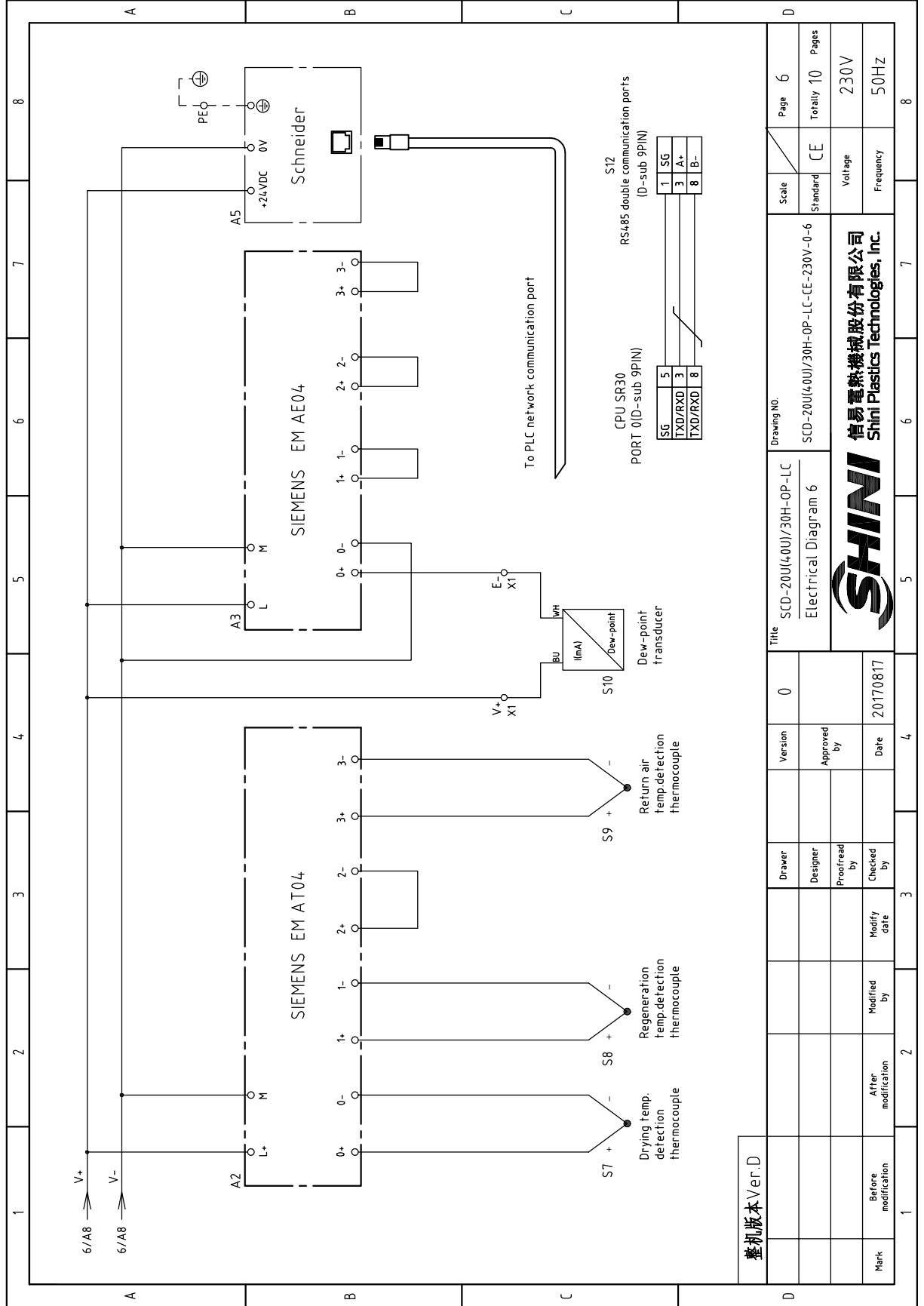
SHINI  
**信易塑料机械股份有限公司**  
 Shini Plastics Technologies, Inc.

Drawing NO.  
 SCD-200(400)/30H-OP-LC-CE-230V-0-4  
 Title  
 SCD-200(400)/30H-OP-LC  
 Electrical Diagram 4



整机版本 Ver.D

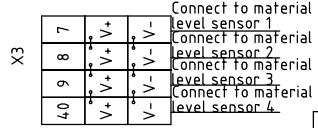
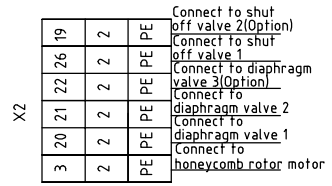
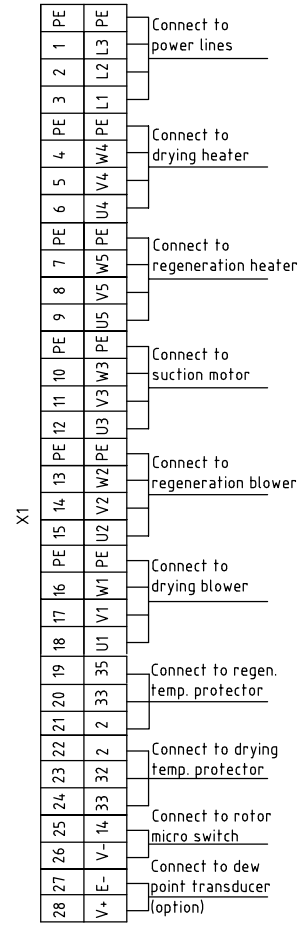
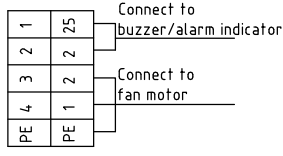
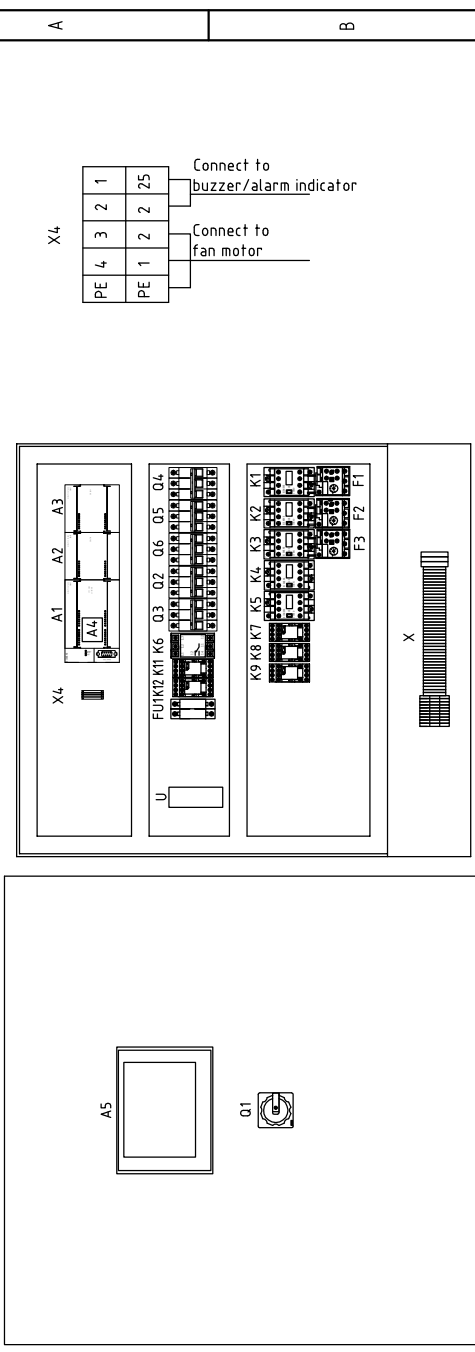
Mark	Before modification	Modified by	Modify date	Checked by	Date	20170817	Approved by	Version	0	Title	Drawing NO.		Scale	Page
	SCD-20U(40U)/30H-OP-LC		SCD-20U(40U)/30H-OP-LC-CE-230V-0-5								Standard	CE		
										SHINI 信易电热机械股份有限公司 Shini Plastics Technologies, Inc.		Voltage	230V	
										Electrical Diagram 5		Frequency	50Hz	



整机版本 Ver.D

Title		Drawing No.		Scale	Page
SCD-200(4.0U)/30H-OP-LC		SCD-200(4.0U)/30H-OP-LC-CE-230V-0-6		Standard	6
Electrical Diagram 6				Standard	Totally 10
				Voltage	230V
				Frequency	50Hz
Version		Approved by			
0					
Drawer		Designer			
Proofread by		Checked by			
Modified by		Modify Date			
After modification					
Before modification					
Mark		Date		20170817	






整机版本 Ver.D		Drawer	Version	Title	Drawing NO.		Scale	Page
Mark	Before modification	Designer	Approved by	SCD-20U(L40U)/30H-OP-LC	SCD-20U(L40U)/30H-OP-LC-CE-230V-0-7	Standard	CE	Totally 10 Pages
Modified by	Modify date	Proofread by	Date	Electrical Components Layout	SHINI Shini Plastics Technologies, Inc.		Voltage	230V
After modification		Checked by	20170817				Frequency	50Hz
1	2	3	4	5	6	7	8	8

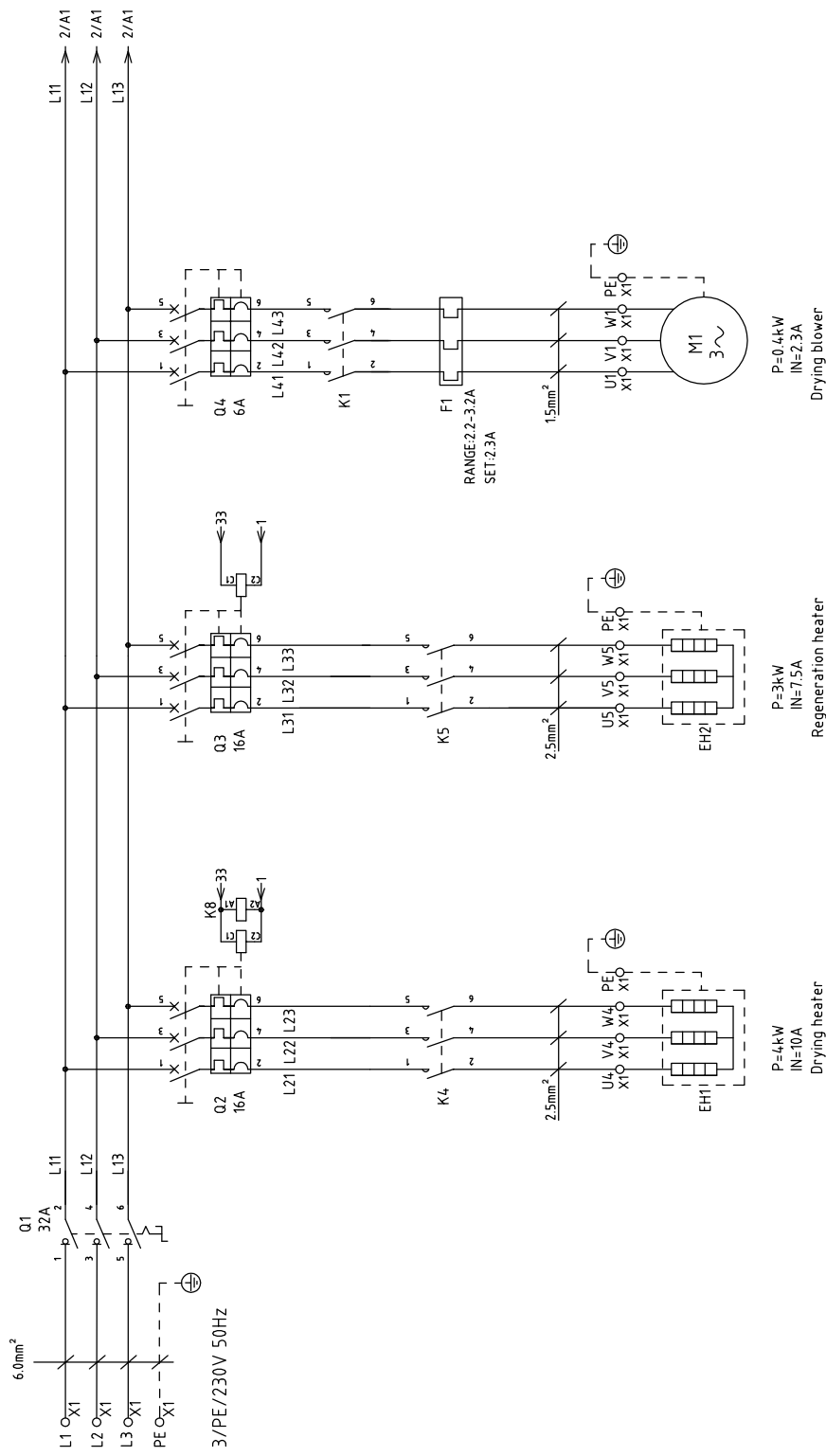
1	2		3	4	5	6	7	8
NO.	Symbol	Name	Manufacturer	Type	Specification	Number	Material number	Remark
1	Q1	Main switch	EATON	P2-32-EA/SVB	32A	1	YE10132320000	
2	Q2 Q3 Q6	Circuit-breaker	TECO	BM-63C 3P	16A	3	YE40301603000	
3		Excitation release	TECO	MX	220V 50/60Hz	2	YE40023560000	A
4	Q4 Q5	Circuit-breaker	TECO	BM-63C 3P	6A	2	YE40300603000	
5	K1	Contacto	SIEMENS	3RT6016-1AN21	9A 220V 50/60Hz	1	YE00601621000	
6	K2	Contacto	SIEMENS	3RT6016-1AN21	9A 220V 50/60Hz	1	YE00601621000	
7	K3	Contacto	SIEMENS	3RT6016-1AN21	9A 220V 50/60Hz	1	YE00601621000	
8	K4	Contacto	SIEMENS	3RT6018-1AN21	16A 220V 50/60Hz	1	YE00601800000	
9	K5	Contacto	SIEMENS	3RT6018-1AN21	16A 220V 50/60Hz	1	YE00601800000	
10	K6	Phase relay	CHAOSHI	ABJ-10W	230V 50/60Hz	1	YE03102200000	
11	K7 K8	Relay	WEIDMULLER	DRM270730LT	220V 50/60Hz	2	YE03270700000	B
12	K9 K11 K12	Relay	WEIDMULLER	DRM270724LT	24V DC	3	YE03272400000	
13	F1	Overload relay	SIEMENS	3RU6116-1DB0	2.2-3.2A	1	YE01160220000	
14	F2	Overload relay	SIEMENS	3RU6116-1DB0	2.2-3.2A	1	YE01160220000	
15	F3	Overload relay	SIEMENS	3RU6116-1HB0	5.5-8A	1	YE01160550000	
16	A1	PLC	SIEMENS	CPU SR30 AC/DC/RLY	100-230VAC 50/60Hz	1	YE81003006000	
17	A2	PLC Analog module	SIEMENS	4-point thermocouple temp. module EM AI104	--	1	YE82000400300	
18	A3	PLC Analog module	SIEMENS	4-point input analog quantity module EM AE04	--	1	YE82000400100	(2)
19	A4	PLC Analog module	SIEMENS	Circuit board for signal expansion SB DT04	--	1	YE90000401300	C
20	A5	Human-machine interface	SCHNEIDER	GX03512	24VDC	1	YE80351200200	
21	FU1	Fuse base	CHINT	RT18-32	2P	1	YE41032200000	
22		Fuse	CHINT	10x38 500V	2A	2	YE46002000100	
23	U	DC power	MEAN WELL	NES-35-24	OUT=DC24V 1.5A	1	YE17352400100	
24	S1	Reed switch	FOTEK	FC-12V	24VDC	1	-----	(1)
25	S2 S3	Photoelectric switch	FOTEK	T18-3MNB-PE	24VDC	2	-----	(1)
<b>整机版本 Ver.D</b> Notes: (1)Means it's not the material inside the control box. (2)Stands for optional.								
				Drawer	Version	Title		Drawing NO.
				Designer	0	SCD-200(400)/30H-OP-LC		Scale
				Proofread by		Electrical Components List 1		Standard
				Checked by	Approved by			Voltage
				Modified by	Date			Frequency
				Modify date	20170817			CE
								Totally
								Page
								8
								230V
								50Hz
								8





1		2		3		4		5		6		7		8	
NO.	Symbol	Name	Manufacturer	Type	Specification	Number	Material number	Remark							
26	S4	Micro switch	TEND	LXW5-11G1	250V 5(A)	1	-----	(1)							
27	S11	Capacitive proximity switch	IFM	KI 5082	10~36VDC	1	-----	(1)							
28	S5,S6	Temperature protector	----	-----	250V 5(A)	2	-----	(1)							
29	S7 S8 S9	Thermocouple	SHINI	ST-K	K	3	-----	(1)							
30	S10	Dew-point transducer	CS	CS 217-OEM	POWER=24VDC OUT=4~20mA	1	YE90021700100	(1) (2)							
31	Y1-Y4	Solenoid valve	--	MSFW-230-50/60	220V 50/60Hz	4	-----	(1)							
32	H1	Buzzer	HITPOINT	PF-35A	60-250V	1	YE84.003500200	(1)							
33	H2	Alarm indicator	SHINI	LED-3051	220V 50/60Hz	1	YE83305100200	(1)							
34	X1 X3	Terminal board	----	6mm <sup>2</sup>	57A 690V	3	YE60000603200	(1)							
35				6mm <sup>2</sup> PE	-	1	YE60000603500								
36	X1 X2 X4	Terminal board	----	4mm <sup>2</sup>	41A 690V	15	YE60000403200	(1)							
37				4mm <sup>2</sup> PE	-	5	YE60000403500								
38				2.5mm <sup>2</sup>	32A 690V	20	YE60002503200								
39				2.5mm <sup>2</sup> PE	-	5	YE60002503400								
40				2.5mm <sup>2</sup>	32A 690V	6	YE60002503200	(2)							
41				2.5mm <sup>2</sup> PE	-	2	YE60002503400	(2)							
42	X3	Terminal board	----	Terminal SK2.5-TL	10A 250V	4	YE60002503600								
43				FBSTB 10-ZDIK RD	10A 250V	4	YE60001000200								
44				SK2.5-TL	10A 250V	4	YE60002503600								
45	X5 X6 X7	Heavy duty connector	WEIN	HDC-HA-004.1	4P 10A	3	YE6804.1000100	(1)							
46	FM	Fan	SUNON	DP-200A	230VAC 4.0W	1	YM60121200400	(1)							
47	S12	Communication interface board (double Dsub-9pin connector)	----	-----	-----	1	YE9004.8501200	(1)							
48				Shell RS485(SAL-700G-A-1910)	-----	1	YR4.004.8500000	(1)							
49	M1 M2	Blower	SHINI	-----	230V 0.4kW	2	-----	(1)							
50	M3	Blower	SHINI	-----	230V 15kW	1	-----	(1)							
<b>整机版本 Ver.D</b> Notes: (1)Means it's not the material inside the control box. (2)Stands for optional.															
				Title SCD-200(4.0U)/30H-OP-LC Electrical Components List 2		Drawing NO. SCD-200(4.0U)/30H-OP-LC-CE-230V-0-9		Scale Standard CE		Page 9 Totality 10 Pages		Voltage 230V			
Mark		Before modification		Modified by		Modify date		Checked by		Date		 <b>信易塑料机械股份有限公司</b> <b>Shini Plastics Technologies, Inc.</b>			
				Version 0		Approved by		Date 20170817				Frequency 50Hz			

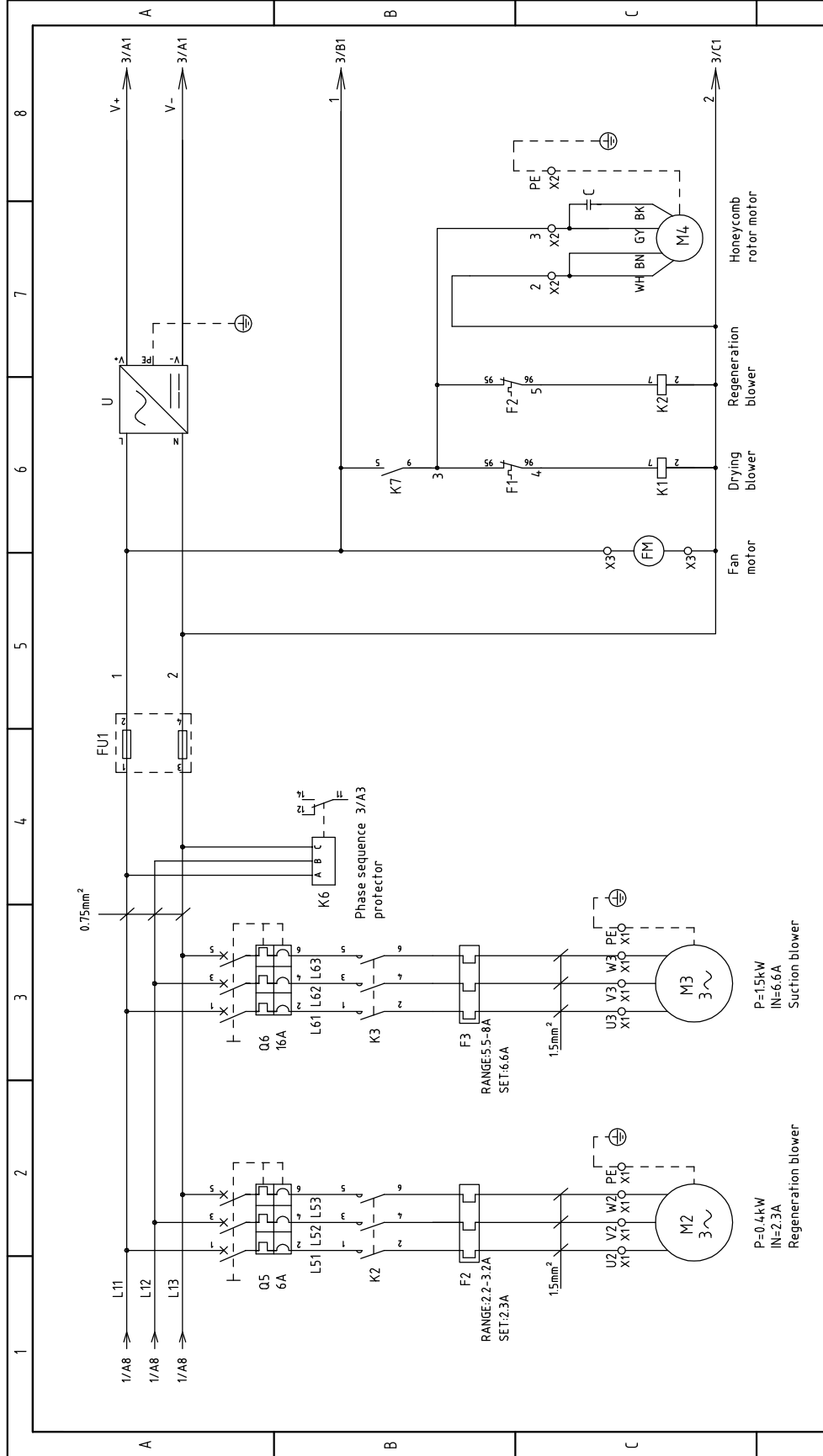




整机版本 Ver.D

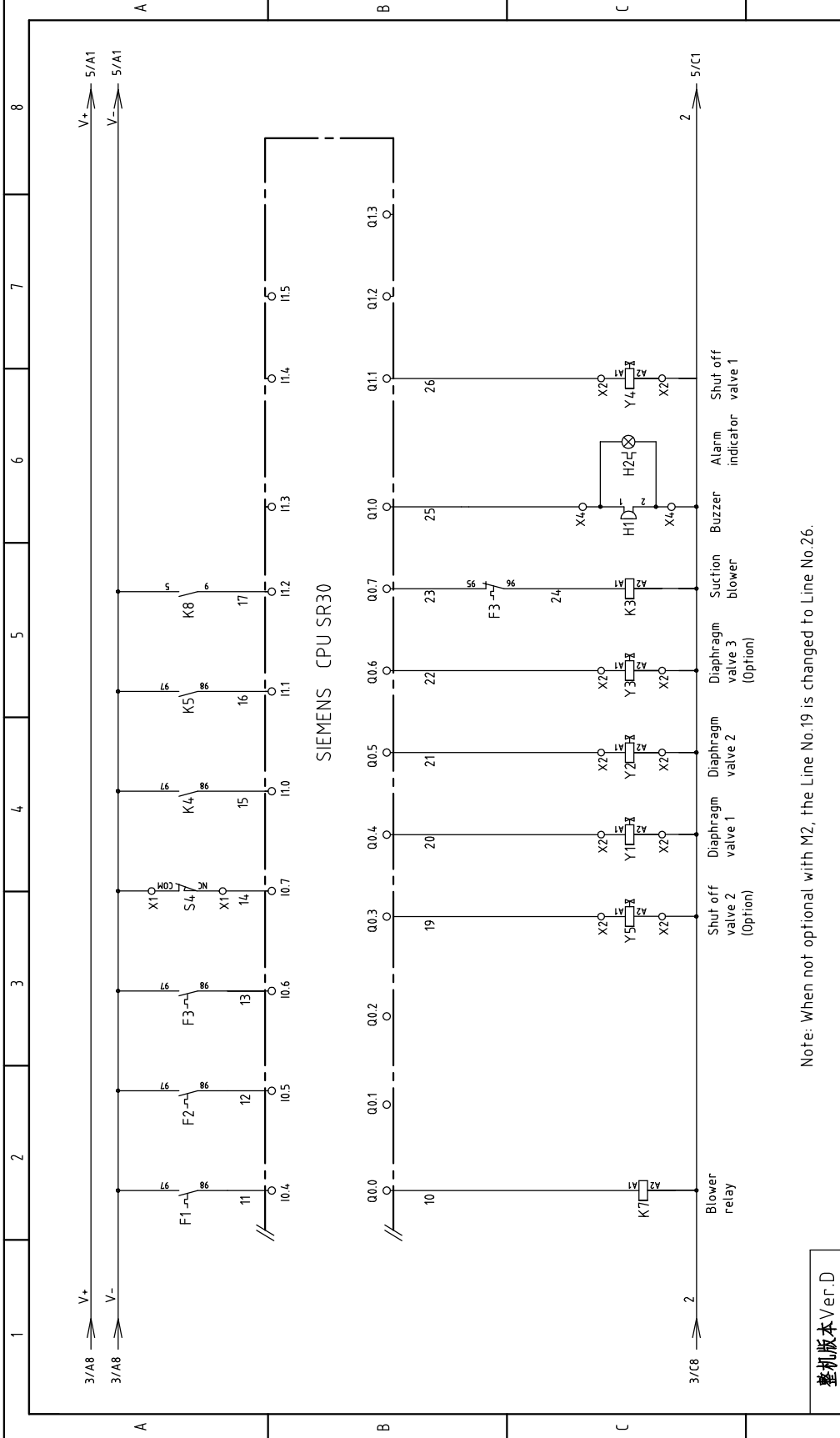
Mark	Before modification	After modification	Modify date	Checked by	Proofofread by	Designer	Drawer	Version	0	Title	SCD-80U/50H-OP-LC Electrical Diagram 1		Drawing NO.	SCD-80U/50H-OP-LC-CE-230V-0-1		Scale	Page 1	
														Standard	CE	Totally 10	Pages	
																		230V
																		50HZ





整機版本 Ver.D		Drawing NO.		Page 2	
Title		SCD-80U/50H-OP-LC		Standard	
Version		0		Voltage	
Designer		Approved by		Frequency	
Proofread by		Date		230V	
Checked by		20170817		50Hz	
Modify Date		Date		Totally	
After modification		Date		10	
Before modification		Date		Pages	
Mark		Date		CE	
		Date		Voltage	
		Date		Frequency	
		Date		230V	
		Date		50Hz	
		Date		Totally	
		Date		10	
		Date		Pages	
		Date		CE	
		Date		Voltage	
		Date		Frequency	
		Date		230V	
		Date		50Hz	
		Date		Totally	
		Date		10	
		Date		Pages	
		Date		CE	
		Date		Voltage	
		Date		Frequency	
		Date		230V	
		Date		50Hz	
		Date		Totally	
		Date		10	
		Date		Pages	
		Date		CE	
		Date		Voltage	
		Date		Frequency	
		Date		230V	
		Date		50Hz	
		Date		Totally	
		Date		10	
		Date		Pages	
		Date		CE	
		Date		Voltage	
		Date		Frequency	
		Date		230V	
		Date		50Hz	
		Date		Totally	
		Date		10	
		Date		Pages	
		Date		CE	
		Date		Voltage	
		Date		Frequency	
		Date		230V	
		Date		50Hz	
		Date		Totally	
		Date		10	
		Date		Pages	
		Date		CE	
		Date		Voltage	
		Date		Frequency	
		Date		230V	
		Date		50Hz	
		Date		Totally	
		Date		10	
		Date		Pages	
		Date		CE	
		Date		Voltage	
		Date		Frequency	
		Date		230V	
		Date		50Hz	
		Date		Totally	
		Date		10	
		Date		Pages	
		Date		CE	
		Date		Voltage	
		Date		Frequency	
		Date		230V	
		Date		50Hz	
		Date		Totally	
		Date		10	
		Date		Pages	
		Date		CE	
		Date		Voltage	
		Date		Frequency	
		Date		230V	
		Date		50Hz	
		Date		Totally	
		Date		10	
		Date		Pages	
		Date		CE	
		Date		Voltage	
		Date		Frequency	
		Date		230V	
		Date		50Hz	
		Date		Totally	
		Date		10	
		Date		Pages	
		Date		CE	
		Date		Voltage	
		Date		Frequency	
		Date		230V	
		Date		50Hz	
		Date		Totally	
		Date		10	
		Date		Pages	
		Date		CE	
		Date		Voltage	
		Date		Frequency	
		Date		230V	
		Date		50Hz	
		Date		Totally	
		Date		10	
		Date		Pages	
		Date		CE	
		Date		Voltage	
		Date		Frequency	
		Date		230V	
		Date		50Hz	
		Date		Totally	
		Date		10	
		Date		Pages	
		Date		CE	
		Date		Voltage	
		Date		Frequency	
		Date		230V	
		Date		50Hz	
		Date		Totally	
		Date		10	
		Date		Pages	
		Date		CE	
		Date		Voltage	
		Date		Frequency	
		Date		230V	
		Date		50Hz	
		Date		Totally	
		Date		10	
		Date		Pages	
		Date		CE	
		Date		Voltage	
		Date		Frequency	
		Date		230V	
		Date		50Hz	
		Date		Totally	
		Date		10	
		Date		Pages	
		Date		CE	
		Date		Voltage	
		Date		Frequency	
		Date		230V	
		Date		50Hz	
		Date		Totally	
		Date		10	
		Date		Pages	
		Date		CE	
		Date		Voltage	
		Date		Frequency	
		Date		230V	
		Date		50Hz	
		Date		Totally	
		Date		10	
		Date		Pages	
		Date		CE	
		Date		Voltage	
		Date		Frequency	
		Date		230V	
		Date		50Hz	
		Date		Totally	
		Date		10	
		Date		Pages	
		Date		CE	
		Date		Voltage	
		Date		Frequency	
		Date		230V	
		Date		50Hz	
		Date		Totally	
		Date		10	
		Date		Pages	
		Date		CE	
		Date		Voltage	
		Date		Frequency	
		Date		230V	
		Date		50Hz	
		Date		Totally	
		Date		10	
		Date		Pages	
		Date		CE	
		Date		Voltage	
		Date		Frequency	
		Date		230V	
		Date		50Hz	
		Date		Totally	
		Date		10	
		Date		Pages	
		Date		CE	
		Date		Voltage	
		Date		Frequency	
		Date		230V	
		Date		50Hz	
		Date		Totally	
		Date		10	
		Date		Pages	
		Date		CE	
		Date		Voltage	
		Date		Frequency	
		Date		230V	
		Date		50Hz	
		Date		Totally	
		Date		10	
		Date		Pages	
		Date		CE	
		Date		Voltage	
		Date		Frequency	
		Date		230V	
		Date		50Hz	
		Date		Totally	
		Date		10	
		Date		Pages	
		Date		CE	
		Date		Voltage	
		Date		Frequency	
		Date		230V	
		Date		50Hz	
		Date		Totally	
		Date		10	
		Date		Pages	
		Date		CE	
		Date		Voltage	
		Date		Frequency	
		Date		230V	
		Date		50Hz	
		Date		Totally	
		Date		10	
		Date		Pages	
		Date		CE	
		Date		Voltage	
		Date		Frequency	
		Date		230V	
		Date		50Hz	
		Date		Totally	
		Date		10	
		Date		Pages	
		Date		CE	
		Date		Voltage	
		Date		Frequency	
		Date		230V	
		Date		50Hz	
		Date		Totally	
		Date		10	
		Date		Pages	
		Date		CE	
		Date		Voltage	
		Date		Frequency	
		Date		230V	
		Date		50Hz	
		Date		Totally	
		Date		10	
		Date		Pages	
		Date		CE	
		Date		Voltage	
		Date		Frequency	
		Date		230V	
		Date		50Hz	
		Date		Totally	
		Date		10	
		Date		Pages	
		Date		CE	
		Date		Voltage	
		Date		Frequency	
		Date		230V	
		Date		50Hz	
		Date		Totally	
		Date		10	
		Date		Pages	
		Date		CE	
		Date		Voltage	
		Date		Frequency	
		Date		230V	
		Date		50Hz	
		Date		Totally	
		Date		10	
		Date		Pages	
		Date		CE	
		Date		Voltage	
		Date		Frequency	
		Date		230V	
		Date		50Hz	
		Date		Totally	
		Date		10	
		Date		Pages	
		Date		CE	
		Date		Voltage	
		Date		Frequency	
		Date		230V	
		Date		50Hz	
		Date		Totally	
		Date		10	
		Date		Pages	
		Date		CE	
		Date		Voltage	
		Date		Frequency	
		Date		230V	
		Date		50Hz	
		Date		Totally	
		Date		10	
		Date		Pages	
		Date		CE	
		Date		Voltage	
		Date		Frequency	
		Date		230V	
		Date		50Hz	
		Date		Totally	
		Date		10	
		Date		Pages	
		Date		CE	
		Date		Voltage	
		Date		Frequency	
		Date		230V	
		Date		50Hz	
		Date		Totally	
		Date		10	
		Date		Pages	
		Date		CE	
		Date		Voltage	
		Date		Frequency	
		Date		230V	
		Date		50Hz	
		Date		Totally	
		Date		10	
		Date		Pages	
		Date		CE	
		Date			



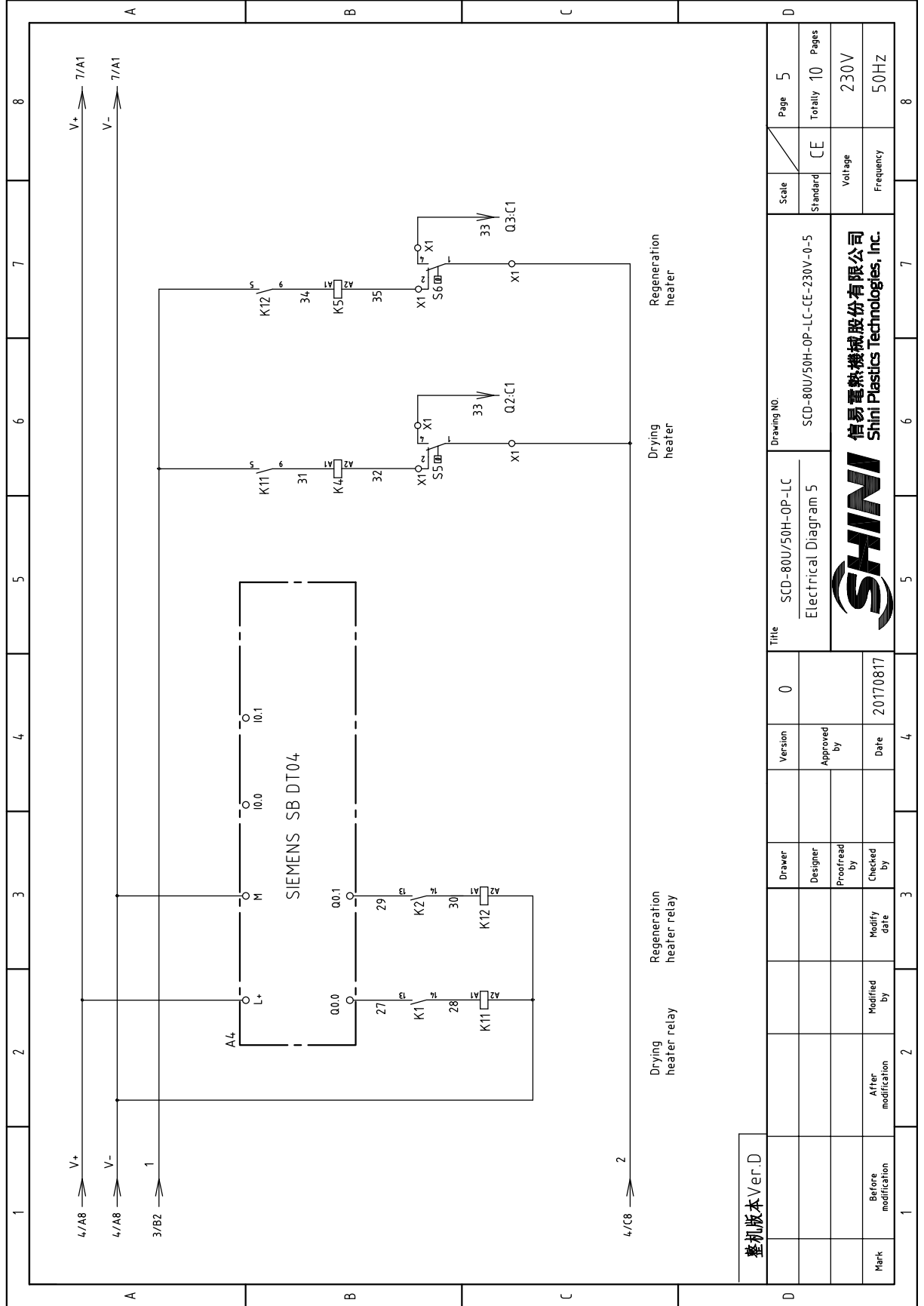


Note: When not optional with M2, the Line No.19 is changed to Line No.26.

整机版本 Ver.D

Mark	Before modification	Modified by	Date	20170817	Version	0	Title	SCD-80U/50H-OP-LC		Drawing NO.	SCD-80U/50H-OP-LC-CE-230V-0-4		Scale	Page
	After modification	Modified by	Date			Electrical Diagram 4		Standard	CE		Totally	10	Pages	230V
													1	8

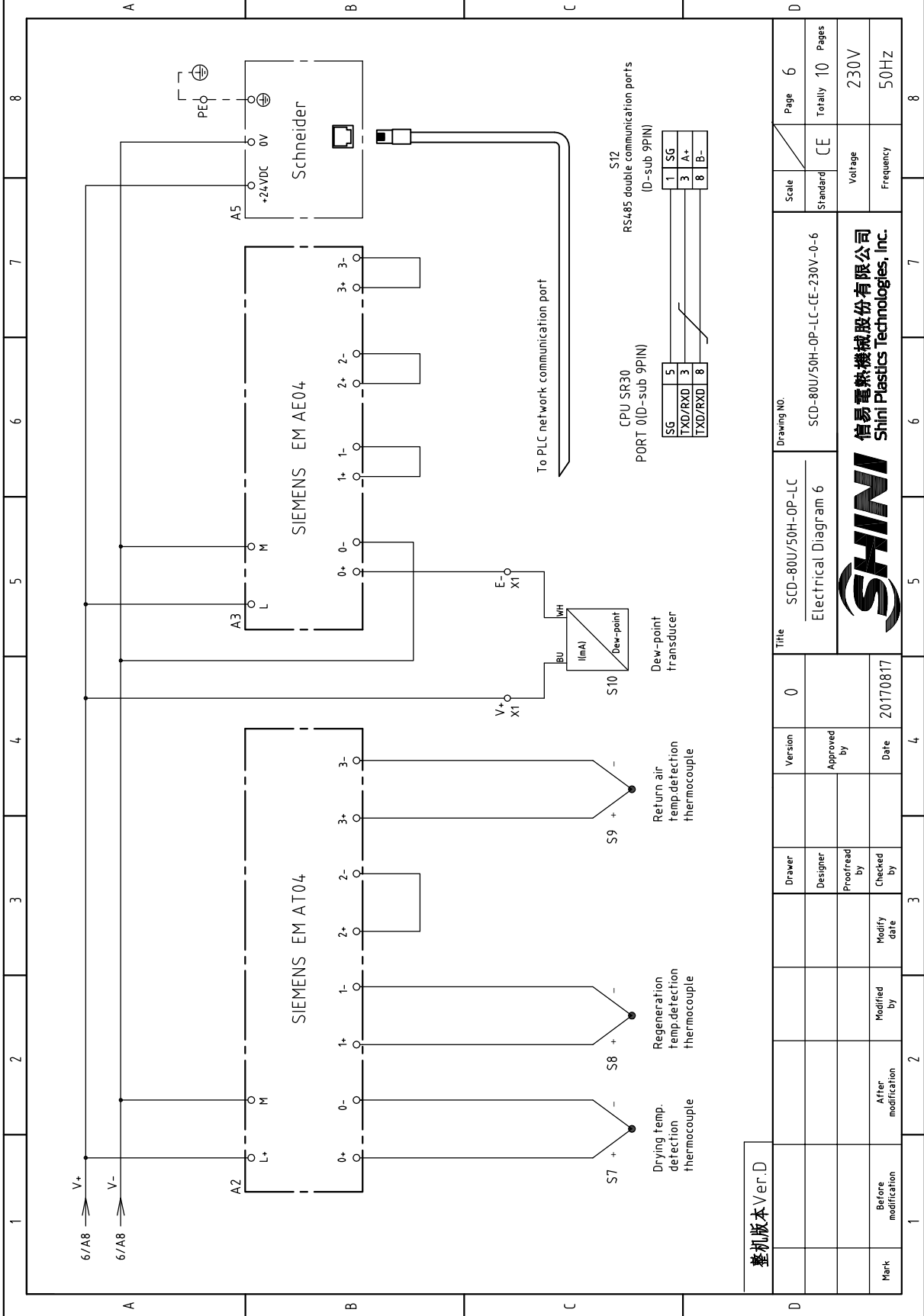




整机版本 Ver.D

Mark	Before modification	After modification	Modify date	Checked by	Proofofread by	Designer	Drawer	Version	0	Title	SCD-80U/50H-OP-LC Electrical Diagram 5	Drawing NO.	SCD-80U/50H-OP-LC-CE-230V-0-5	Scale	CE	Page	5		
								Approved by						Standard	CE	Totally	10		
								Date	20170817								Pages	230V	
																		Frequency	50HZ






整机版本 Ver.D

Title		SCD-80U/50H-OP-LC		Drawing NO.		Scale		Page	
Electrical Diagram 6		SCD-80U/50H-OP-LC-CE-230V-0-6		CE		Standard		Voltage	
Version		0		Approved by		Standard		Frequency	
Designer		Proffread by		Date		Voltage		Frequency	
Checked by		Modify Date		20170817		230V		50HZ	
Before modification		After modification				Totally		Pages	
Mark						10		10	
						CE		230V	
						Voltage		50HZ	
						Frequency		50HZ	

**SHINI**  
 信易塑料机械股份有限公司  
 Shini Plastics Technologies, Inc.





1	2		3	4	5	6	7	8
NO.	Symbol	Name	Manufacturer	Type	Specification	Number	Material number	Remark
1	Q1	Main switch	EATON	P2-32-EA/SVB	32A	1	YE10132320000	
2	Q2 Q3 Q6	Circuit-breaker	TECO	BM-63C 3P	16A	3	YE40301603000	
3		Excitation release	TECO	MX	220V 50/60Hz	2	YE40023560000	A
4	Q4 Q5	Circuit-breaker	TECO	BM-63C 3P	6A	2	YE40300603000	
5	K1 K2 K3	Contacto	SIEMENS	3RT6016-1AN21	9A 220V 50/60Hz	3	YE00601621000	
6	K4	Contacto	SIEMENS	3RT6018-1AN21	16A 220V 50/60Hz	1	YE00601800000	
7	K5	Contacto	SIEMENS	3RT6018-1AN21	16A 220V 50/60Hz	1	YE00601800000	
8	K6	Phase relay	CHAOSHI	ABJ-10W	230V 50/60Hz	1	YE03102200000	
9	K7 K8	Relay	WEIDMULLER	DRM270730LT	220V 50/60Hz	2	YE03270700000	
10	K9 K11 K12	Relay	WEIDMULLER	DRM270724LT	24V DC	3	YE03272400000	
11	F1	Overload relay	SIEMENS	3RU6116-1DB0	2.2-3.2A	1	YE01160220000	B
12	F2	Overload relay	SIEMENS	3RU6116-1DB0	2.2-3.2A	1	YE01160220000	
13	F3	Overload relay	SIEMENS	3RU6116-1HB0	5.5-8A	1	YE01160550000	
14	A1	PLC	SIEMENS	CPU SR30 AC/DC/RLY	100-230VAC 50/60Hz	1	YE81003006000	
15	A2	PLC Analog module	SIEMENS	4-point thermocouple Temp. module EM AT04	--	1	YE82000400300	
16	A3	PLC Analog module	SIEMENS	4-point input analog quantity module EM AE04	--	1	YE82000400100	(2)
17	A4	PLC Analog module	SIEMENS	Circuit board for signal expansion SB DT04	--	1	YE90000401300	
18	A5	Human-machine interface	SCHNEIDER	GX03512	24VDC	1	YE80351200200	C
19	FU1	Fuse base	CHINT	RT18-32	2P	1	YE41032200000	
20		Fuse	CHINT	10*38 500V	2A	2	YE46002000100	
21	U	DC power	MEAN WELL	NES-35-24	OUT=DC24V 1.5A	1	YE71352400100	
22	S1	Reed switch	FOTEK	FC-12V	24VDC	1	-----	(1)
23	S2 S3	Photoelectric switch	FOTEK	T18-3MNB-PE	24VDC	2	-----	(1)
24	S4	Micro switch	TEND	LXW5-11G1	250V 5(4)A	1	-----	(1)
25	S11	Capacitive proximity switch	IFM	KI5082	10~36VDC	1	-----	(1)
<b>整机版本 Ver.D</b> Notes: (1)Means it's not the material inside the control box. (2)Stands for optional.								
Title SCD-80U/50H-OP-LC				Drawing NO. SCD-80U/50H-OP-LC-CE-230V-0-8		Scale Standard CE		Page 8
Electrical Components List 1				Voltage 230V		Frequency 50Hz		Totality 10 Pages
 <b>SHINI</b> 信易塑料机械股份有限公司 Shini Plastics Technologies, Inc.								
Mark	Before modification	After modification	Modified by	Modify date	Checked by	Date	20170817	

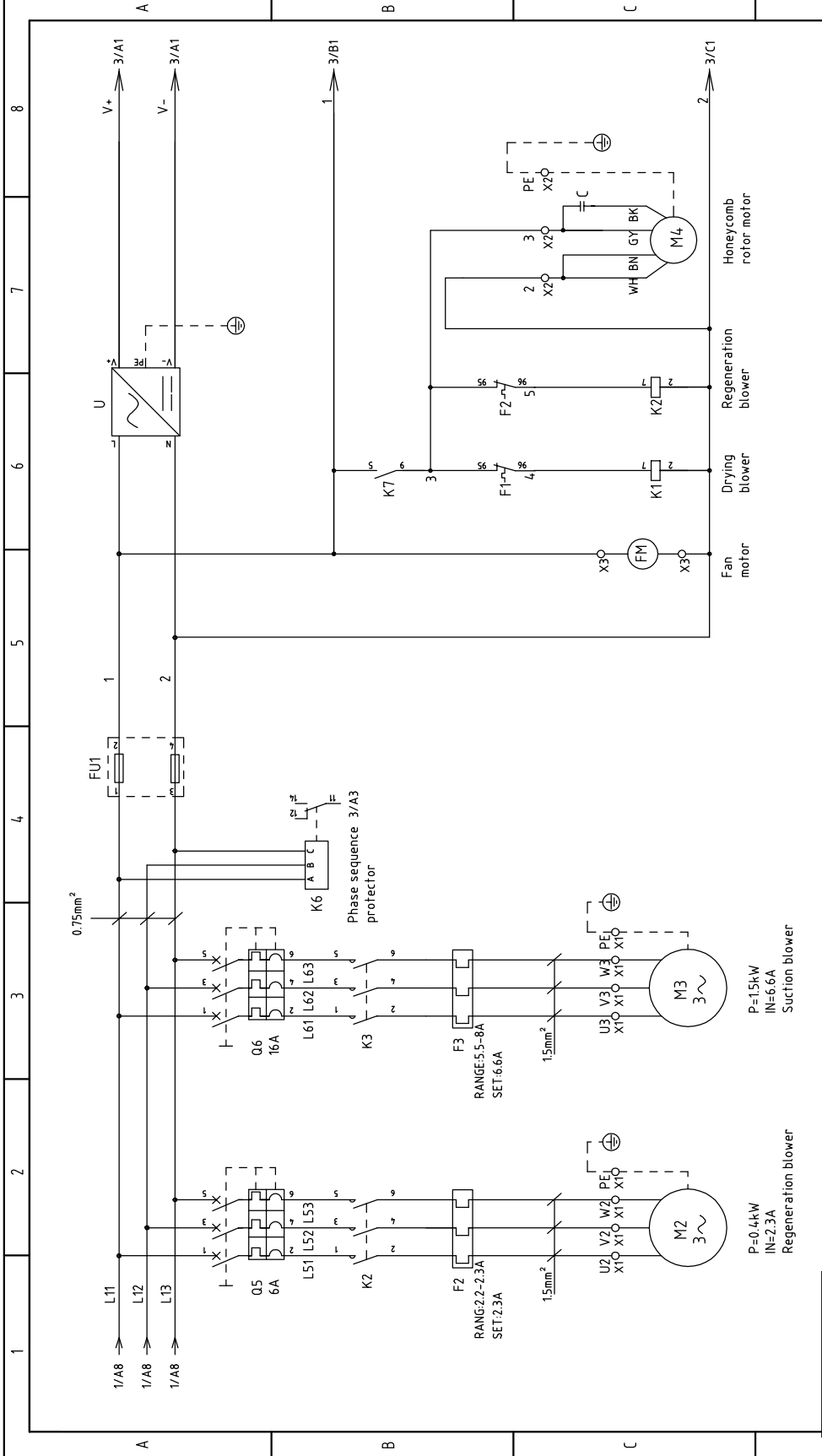
1		2		3		4		5		6		7		8	
NO.	Symbol	Name	Manufacturer	Type	Specification	Number	Material number	Remark							
26	S5 S6	Temperature protector	----	----	250V 5(4)A	2	----	(1)							
27	S7 S8 S9	Thermocouple	SHINI	ST-K	K	3	----	(1)							
28	S10	Dew-point transducer	CS	CS 217-OEM	POWER=24VDC OUT=4-20mA	1	YE90021700100	(1) (2)							
29	Y1-Y4	Solenoid valve	--	MSFW-230-50/60	220V 50/60Hz	4	----	(1)							
30	H1	Buzzer	HITPOINT	PF-35A	60-250V	1	YE84003500200	(1)							
31	H2	Alarm indicator	SHINI	LED-3051	220V 50/60Hz	1	YE83305100200	(1)							
32	X1 X3	Terminal board	----	6mm <sup>2</sup>	57A 690V	3	YE60000603200								
33				6mm <sup>2</sup> PE	-	1	YE60000603500								
34	X1 X2 X4	Terminal board	----	4mm <sup>2</sup>	41A 690V	15	YE60000403200								
35				4mm <sup>2</sup> PE	-	5	YE60000403500								
36				2.5mm <sup>2</sup>	32A 690V	20	YE60002503200								
37				2.5mm <sup>2</sup> PE	-	5	YE60002503400								
38				2.5mm <sup>2</sup>	32A 690V	6	YE60002503200	(2)							
39				2.5mm <sup>2</sup> PE	-	2	YE60002503400	(2)							
40	X3	Terminal board	----	Terminal SK2.5-TL	10A 250V	4	YE60002503600								
41				FBSTB 10-ZDIK RD	10A 250V	4	YE60001000200								
42				SK2.5-TL	10A 250V	4	YE60002503600								
43	X5 X6 X7	Heavy duty connector	WEIN	HDC-HA-004.1	4P 10A	3	YE68041000100	(1)							
44	FM	Fan	SUNON	DP-200A	230VAC 40W	1	YM60121200400	(1)							
45	S12	Communication interface board RS-485 (double Dsub-9pin connector)	----	----	----	1	YE90048501200	(1)							
46		Shell RS.485(SAL-700G-A-1910)	----	----	----	1	YR40048500000	(1)							
47	M1	Blower	SHINI	----	230V 0.4kW	1	----	(1)							
48	M2	Blower	SHINI	----	230V 0.4kW	1	----	(1)							
49	M3	Blower	SHINI	----	230V 1.5kW	1	----	(1)							
50	M4	Motor	----	----	230V 0.015kW	1	----	(1)							
<b>整机版本 Ver.D</b> Notes: (1)Means it's not the material inside the control box. (2)Stands for optional.															
				Title		Drawing NO.		Scale		Page		9		8	
				SCD-80U/50H-OP-LC		SCD-80U/50H-OP-LC-CE-230V-0-9		Standard		CE		Voltage		230V	
				Electrical Components List 2								Frequency		50Hz	
				Version		0									
				Designer		Approved by									
				Proofread by		Date		20170817							
				Checked by		Modify date									
				Before modification		After modification									
				1		2		3		4		5		6	
				7		8		9		10		11		12	



1		2		3		4		5		6		7		8	
NO.	Symbol	Name	Manufacturer	Type	Specification	Number	Material number	Remark							
51	EH1	Heater	SHINI	-----	230V 3.9kW	1	-----	(1)							
52	EH2	Heater	SHINI	-----	230V 3kW	1	-----	(1)							
A															
B															
C															
D															
<b>整机版本 Ver.D</b> Notes: (1)Means it's not the material inside the control box. (2)Stands for optional.															
				Title		Version		Drawing NO.		Scale		Page		D	
				SCD-80U/50H-OP-LC		0		SCD-80U/50H-OP-LC		Standard		10		10	
				Electrical Components List 3		Approved by		Electrical Components List 3		CE		Voltage		230V	
				Date		20170817				Frequency		50Hz			
Mark		Before modification		Modified by		Modify date		Checked by		Date		20170817			
1		2		3		4		5		6		7		8	



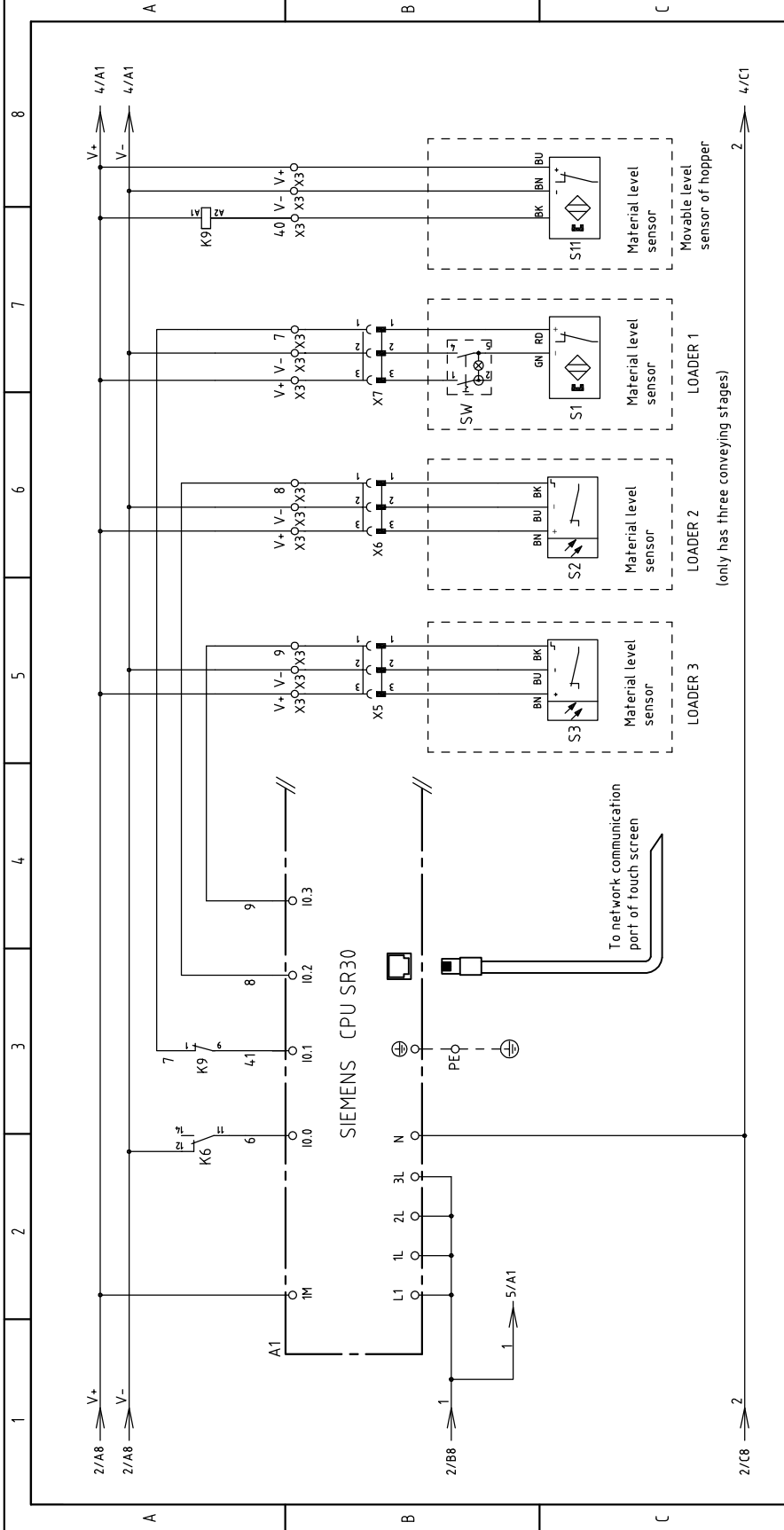




整机版本 Ver.D

Title		Drawing No.		Scale	Page
SCD-120U/80H-OP-LC		SCD-120U/80H-OP-LC-CE-230V-0-2		Standard	2
Electrical Diagram 2				CE	Totally 10
				Voltage	230V
				Frequency	50Hz
Version	0	Designer	Approved by	Date	20170817
Drawn		Proofread by	Checked by	Modify date	
Before modification		After modification			
Mark					

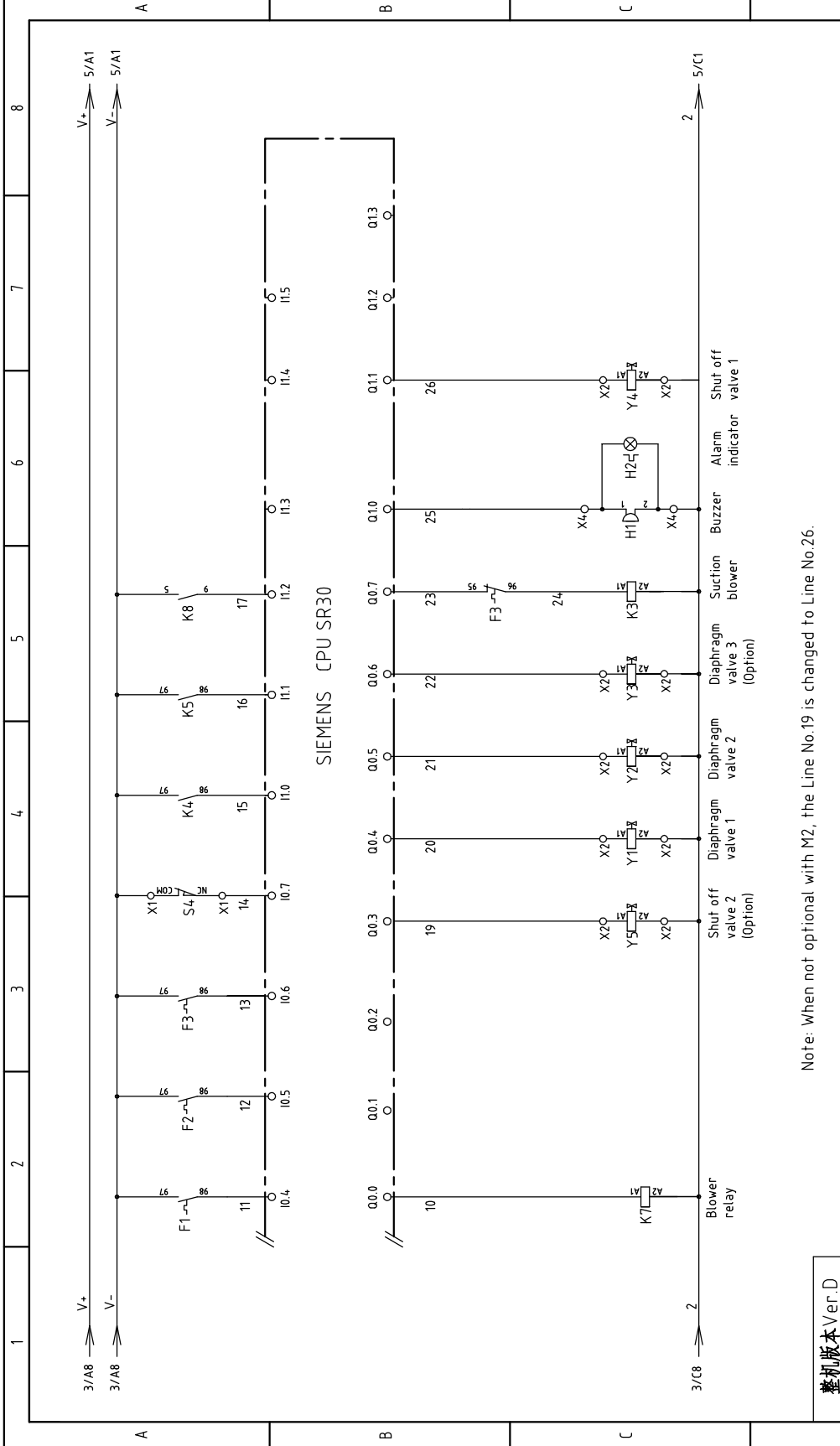




整机版本 Ver.D

Title		Drawing NO.		Scale	Page
SCD-120U/80H-OP-LC		SCD-120U/80H-OP-LC-CE-230V-0-3		Standard	3
Electrical Diagram 3					Totally 10
				Voltage	230V
				Frequency	50Hz
Mark	Before modification	After modification	Modified by	Modify Date	Date
					20170817
Designer	Proofread by	Checked by	Approved by	Version	0
Drawer					





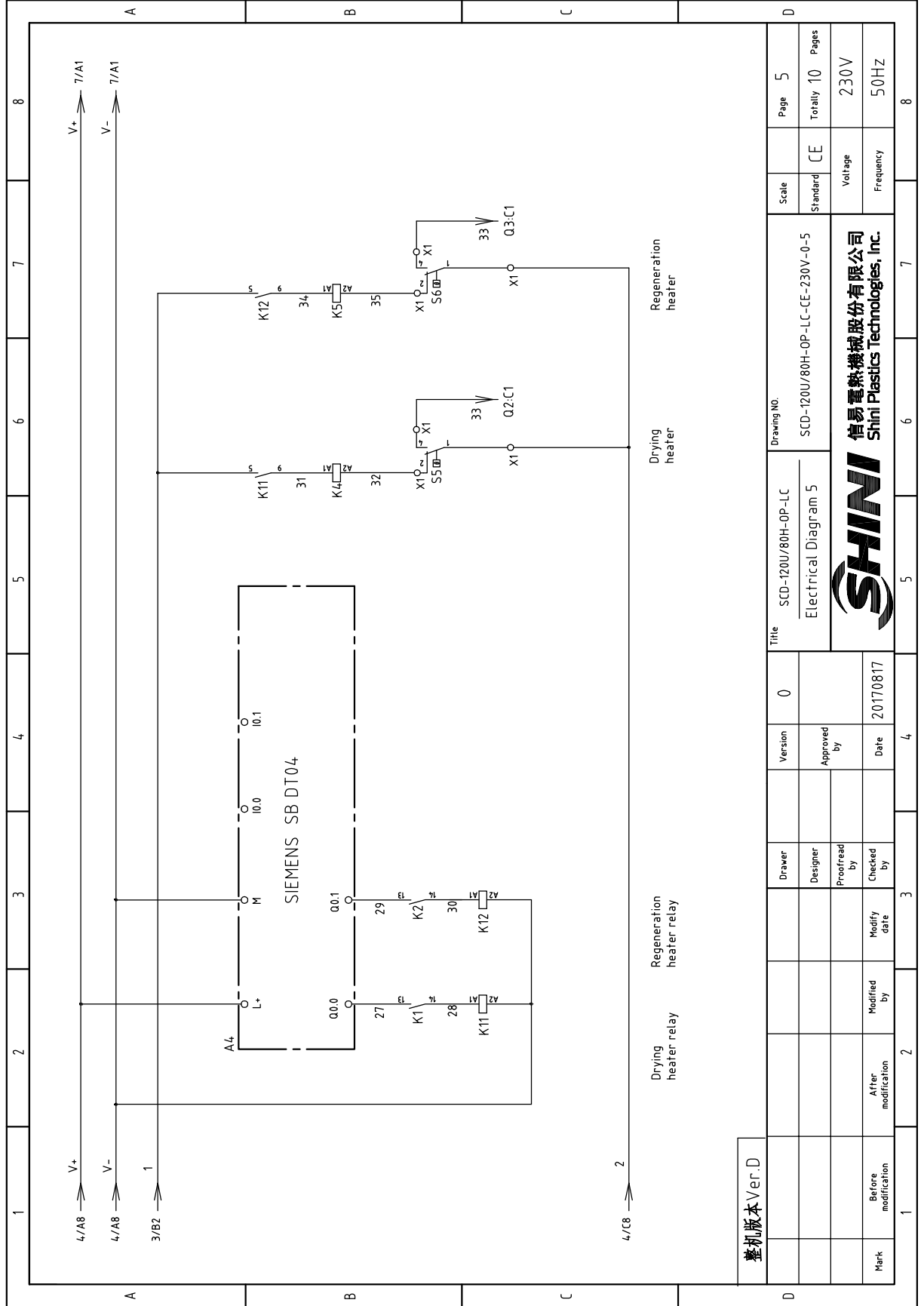
Note: When not optional with M2, the Line No.19 is changed to Line No.26.

整机版本 Ver.D

Mark	Before modification	After modification	Modify Date	Checked by	Proofread by	Designer	Drawer	Version	0	Title	SCD-120U/80H-OP-LC Electrical Diagram 4	Drawing NO.	SCD-120U/80H-OP-LC-CE-230V-0-4	Scale	Standard	CE	Page	4	
								Approved by									Totally	10	Pages
								Date	20170817								Voltage	230V	
																	Frequency	50HZ	
1	2	3	4	5	6	7	8												



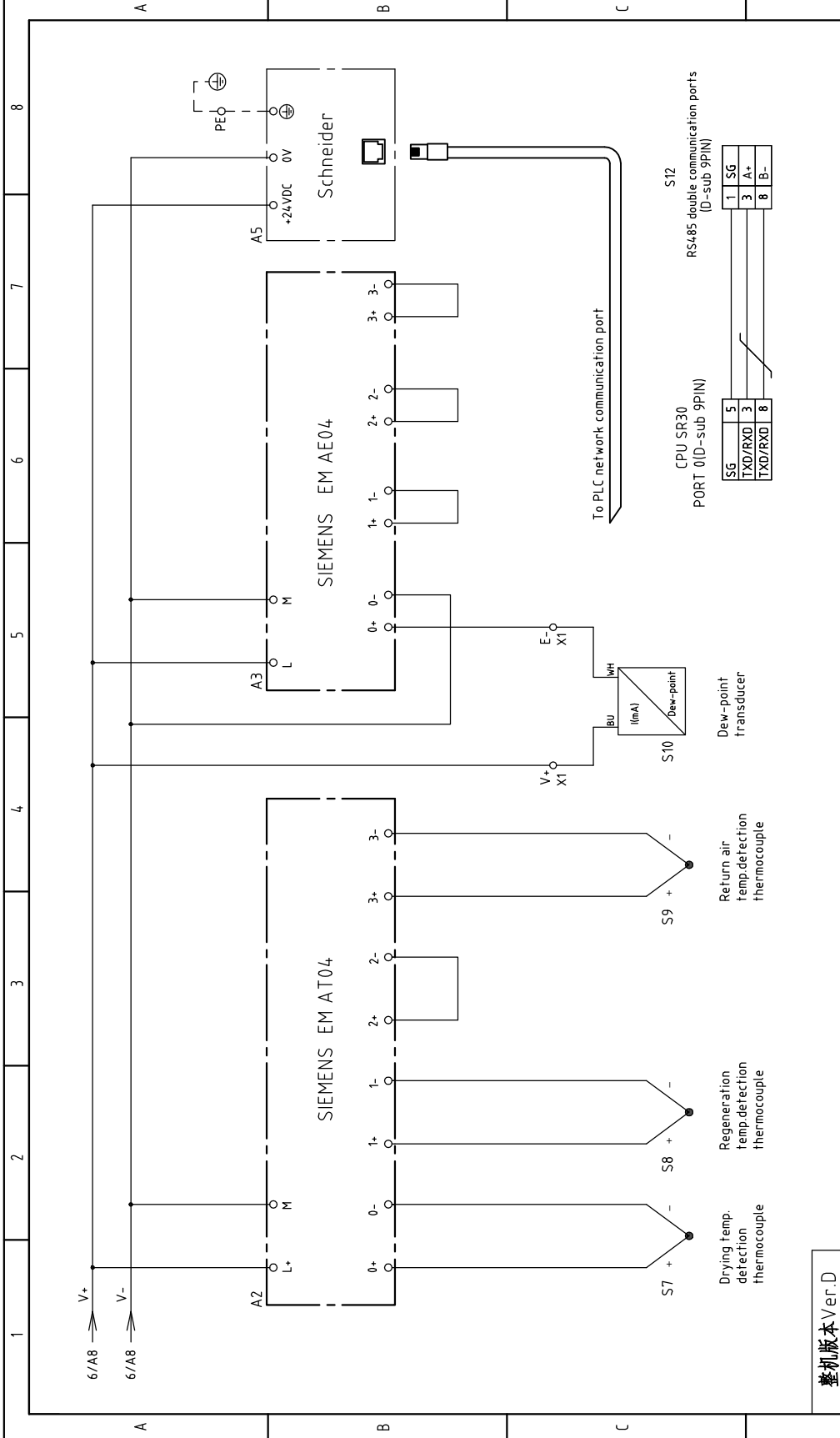




整机版本Ver.D

Mark	Before modification	After modification	Modified by	Modify date	Checked by	Proofofread by	Designer	Drawer	Version	0	Title	SCD-120U/80H-OP-LC Electrical Diagram 5	Drawing NO.	SCD-120U/80H-OP-LC-CE-230V-0-5	Scale	CE	Page	5	
				20170817			Approved by										Totally	10	
																		Pages	230V
																			50HZ



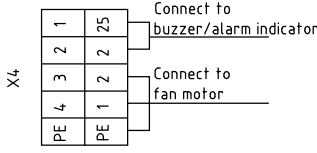
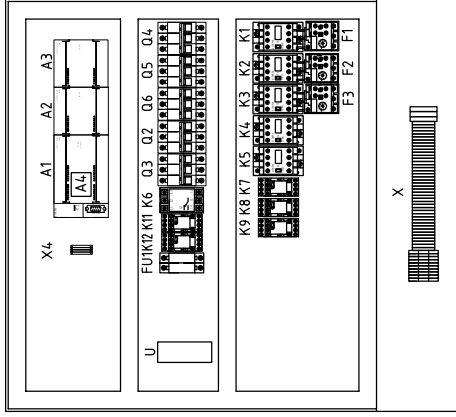
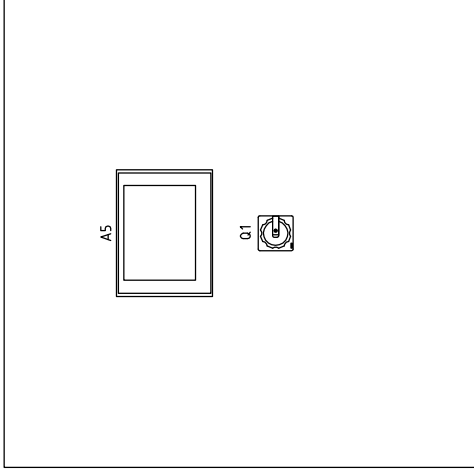


整机版本 Ver.D

Title		SCD-120U/80H-OP-LC		Drawing No.		Page 6	
Electrical Diagram 6		SCD-120U/80H-OP-LC-CE-230V-0-6		Standard		CE	
Version		0		Standard		Voltage	
Approved by				Standard		Frequency	
Date		20170817		Standard		230V	
Designer				Standard		50HZ	
Proofread by				Standard		230V	
Checked by				Standard		50HZ	
Modify Date				Standard		230V	
After modification				Standard		50HZ	
Before modification				Standard		230V	
Mark				Standard		50HZ	



1 2 3 4 5 6 7 8



X3

40	9	8	7
V+	V+	V+	V+
V-	V-	V-	V-

Connect to material level sensor 1  
 Connect to material level sensor 2  
 Connect to material level sensor 3  
 Connect to material level sensor 4

X2

3	20	21	22	26	19
PE	PE	PE	PE	PE	PE
2	2	2	2	2	2

Connect to shut off valve 2(Option)  
 Connect to shut off valve 1  
 Connect to diaphragm valve 3(Option)  
 Connect to diaphragm valve 2  
 Connect to diaphragm valve 1  
 Connect to honeycomb rotor motor

X1

28	27	26	25	24	23	22	21	20	19	18	17	16	15	14	13	12	11	10	9	8	7	6	5	4	3	2	1	PE
V+E-	V-E-	V-	V-	V-	U1	U1	U1	U1	U1	U1	U1	U1	U1	U1	U1	U1	U1	U1	U1	U1	U1	U1	U1	U1	U1	U1	U1	PE

Connect to dew point transducer (option)  
 Connect to rotor micro switch  
 Connect to drying temp. protector  
 Connect to regen. temp. protector  
 Connect to drying blower  
 Connect to regeneration blower  
 Connect to suction motor  
 Connect to regeneration heater  
 Connect to drying heater  
 Connect to power lines

整机版本 Ver.D

Mark	Before modification	After modification	Modified by	Modify date	Checked by	Date	Approved by	Version	Title	Drawing NO.	Scale	Page
											Standard	Totally
									SCD-120U/80H-OP-LC	SCD-120U/80H-OP-LC-CE-230V-0-7	CE	7
									Electrical Components Layout			10
												Pages
												230V
												50Hz
												8



1	2		3	4	5	6	7	8
NO.	Symbol	Name	Manufacturer	Type	Specification	Number	Material number	Remark
1	Q1	Main switch	EATON	P3-63-EA/SVB	63A	1	YE10163630000	
2	Q2	Circuit-breaker	TECO	BM-63C 3P	20A	1	YE40302003000	
3	Q3 Q6	Circuit-breaker	TECO	BM-63C 3P	16A	2	YE40301603000	A
4		Excitation release	TECO	MX	220V 50/60Hz	2	YE40023560000	
5	Q4	Circuit-breaker	TECO	BM-63C 3P	10A	1	YE40301003000	
6	Q5	Circuit-breaker	TECO	BM-63C 3P	6A	1	YE40300603000	
7	K1 K2 K3	Contactor	SIEMENS	3RT6016-1AN21	9A 220V 50/60Hz	3	YE00601621000	
8	K4	Contactor	SIEMENS	3RT6026-1AN21	25A 220V 50/60Hz	1	YE00602622000	
9	K5	Contactor	SIEMENS	3RT6018-1AN21	16A 220V 50/60Hz	1	YE00601800000	
10	K6	Phase relay	CHAOSHI	ABJ-10W	230V 50/60Hz	1	YE03102200000	
11	K7 K8	Relay	WEIDMULLER	DRM270730LT	220V 50/60Hz	2	YE03270700000	B
12	K9 K11 K12	Relay	WEIDMULLER	DRM270724LT	24V DC	3	YE03272400000	
13	F1	Overload relay	SIEMENS	3RU6116-1FB0	3.5-5A	1	YE01160350000	
14	F2	Overload relay	SIEMENS	3RU6116-1DB0	2.2-3.2A	1	YE01160220000	
15	F3	Overload relay	SIEMENS	3RU6116-1HB0	5.5-8A	1	YE01160550000	
16	A1	PLC	SIEMENS	CPU SR30 AC/DC/RLY	100-230VAC 50/60Hz	1	YE81003006000	
17	A2	PLC Analog module	SIEMENS	4-point thermocouple temp. module EM A104	--	1	YE82000400300	
18	A3	PLC Analog module	SIEMENS	4-point input analog quantity module EM AE04	--	1	YE82000400100	(2)
19	A4	PLC Analog module	SIEMENS	Circuit board for signal expansion SB DT104	--	1	YE90000401300	C
20	A5	Human-machine interface	SCHNEIDER	GX03501	24VDC	1	YE80350100100	
21	FU1	Fuse base	CHINT	RT18-32	2P	1	YE41032200000	
22		Fuse	CHINT	10x38 500V	2A	2	YE46002000100	
23	U	DC power	MEAN WELL	NES-35-24	OUT=DC24V 1.5A	1	YE17352400100	
24	S1	Reed switch	FOTEK	FC-12V	24VDC	1	-----	(1)
25	S2 S3	Photoelectric switch	FOTEK	T18-3MNB-PE	24VDC	2	-----	(1)
<b>整机版本 Ver.D</b> Notes: (1)Means it's not the material inside the control box. (2)Stands for optional.								
<b>D</b>				<b>Drawing NO.</b> SCD-120U/80H-OP-LC Electrical Components List 1		<b>Scale</b> Standard CE		<b>Page</b> 8 <b>Totally</b> 10 Pages
<b>Mark</b>				<b>Before modification</b>		<b>After modification</b>		<b>Ver.</b> 230V <b>Frequency</b> 50Hz
1	2		3	4	5	6	7	8



1		2		3		4		5		6		7		8	
NO.	Symbol	Name	Manufacturer	Type	Specification	Number	Material number	Remark							
26	S11	Capacitive proximity switch	IFM	KI 5082	10~36VDC	1	-----	(1)							
27	S4	Micro switch	TEND	LXW5-11G1	250V 5(4)A	1	-----	(1)							
28	S5 S6	Temperature protector	----	-----	250V 5(4)A	2	-----	(1)							
29	S7 S8 S9	Thermocouple	SHINI	ST-K	K	3	-----	(1)							
30	S10	Dew-point transducer	CS	CS Z17-OEM	POWER=24VDC OUT=4~20mA	1	YE90021700100	(1) (2)							
31	Y1-Y4	Solenoid valve	--	MSFW-230-50/60	220V 50/60Hz	4	-----	(1)							
32	H1	Buzzer	HITPOINT	PF-35A	60-250V	1	YE84.003500200	(1)							
33	H2	Alarm indicator	SHINI	LED-3051	220V 50/60Hz	1	YE83305100200	(1)							
34	X1 X2 X4	Terminal board	----	10mm <sup>2</sup>	76A 690V	3	YE60001003200	(1)							
35				10mm <sup>2</sup> PE	-	1	YE60001003500	(1)							
36		Terminal board	----	4mm <sup>2</sup>	4.1A 690V	15	YE600004.03200	(1)							
37				4mm <sup>2</sup> PE	-	5	YE600004.03500	(1)							
38				2.5mm <sup>2</sup>	32A 690V	20	YE60002503200	(1)							
39				2.5mm <sup>2</sup> PE	-	5	YE60002503400	(1)							
40				2.5mm <sup>2</sup>	32A 690V	6	YE60002503200	(2)							
41				2.5mm <sup>2</sup> PE	-	2	YE60002503400	(2)							
42	X3	Terminal board	----	Terminal SK2.5-TL	10A 250V	4	YE60002503600	(1)							
43				FBSTB 10-ZDIK RD	10A 250V	4	YE60001000200	(1)							
44				SK2.5-TL	10A 250V	4	YE60002503600	(1)							
45	X5 X6 X7	Heavy duty connector	WEIN	HDC-HA-004.1	4P 10A	3	YE6804.1000100	(1)							
46	FM	Fan	SUNON	DP-200A	230VAC 4.0W	1	YM60121200400	(1)							
47	S12	Communication interface board (double Disub-9pin connector)	----	----	----	1	YE9004.8501200	(1)							
48		Shell RS485(SAL-700G-A-1910)	----	----	----	1	YR4.004.8500000	(1)							
49	M1	Blower	SHINI	----	230V 0.75kW	1	-----	(1)							
50	M2	Blower	SHINI	----	230V 0.4kW	1	-----	(1)							
<b>整机版本 Ver.D</b> Notes: (1)Means it's not the material inside the control box. (2)Stands for optional.															
		Drawer		Version 0		Title		Drawing NO.		Scale		Page 9		8	
		Designer		Approved by		SCD-120U/80H-OP-LC		SCD-120U/80H-OP-LC-CE-230V-0-9		Standard		CE		Voltage 230V	
		Proofread by		Date 20170817		Electrical Components List 2				Frequency		50Hz			
Mark		Before modification		Modified by		Modify date		Checked by		Checked by		Checked by		Checked by	
1		2		3		4		5		6		7		8	



1		2		3		4		5		6		7		8	
NO.	Symbol	Name	Manufacturer	Type	Specification	Number	Material number	Remark							
51	M3	Blower	SHINI	-----	230V 1.5kW	1	-----	(1)							
52	M4	Motor	----	-----	230V 0.015kW	1	-----	(1)							
53	EH1	Heater	SHINI	-----	230V 6kW	1	-----	(1)							
54	EH2	Heater	SHINI	-----	230V 3kW	1	-----	(1)	60Hz机型为4kw						
A															
B															
C															
D															
整机版本 Ver.D    Notes: (1)Means it's not the material inside the control box. (2)Stands for optional.															
		Title		Version		0		Drawing NO.		Scale		Page		10	
		SCD-120U/80H-OP-LC		Electrical Components List 3		SCD-120U/80H-OP-LC		SCD-120U/80H-OP-LC-CE-230V-0-10		Standard		CE		Totally 10 Pages	
Mark		Before modification		Modified by		Modify date		Checked by		Date		20170817		Voltage 230V	
		After modification		Designer		Proofread by		Approved by		Frequency		50Hz			
1		2		3		4		5		6		7		8	

