

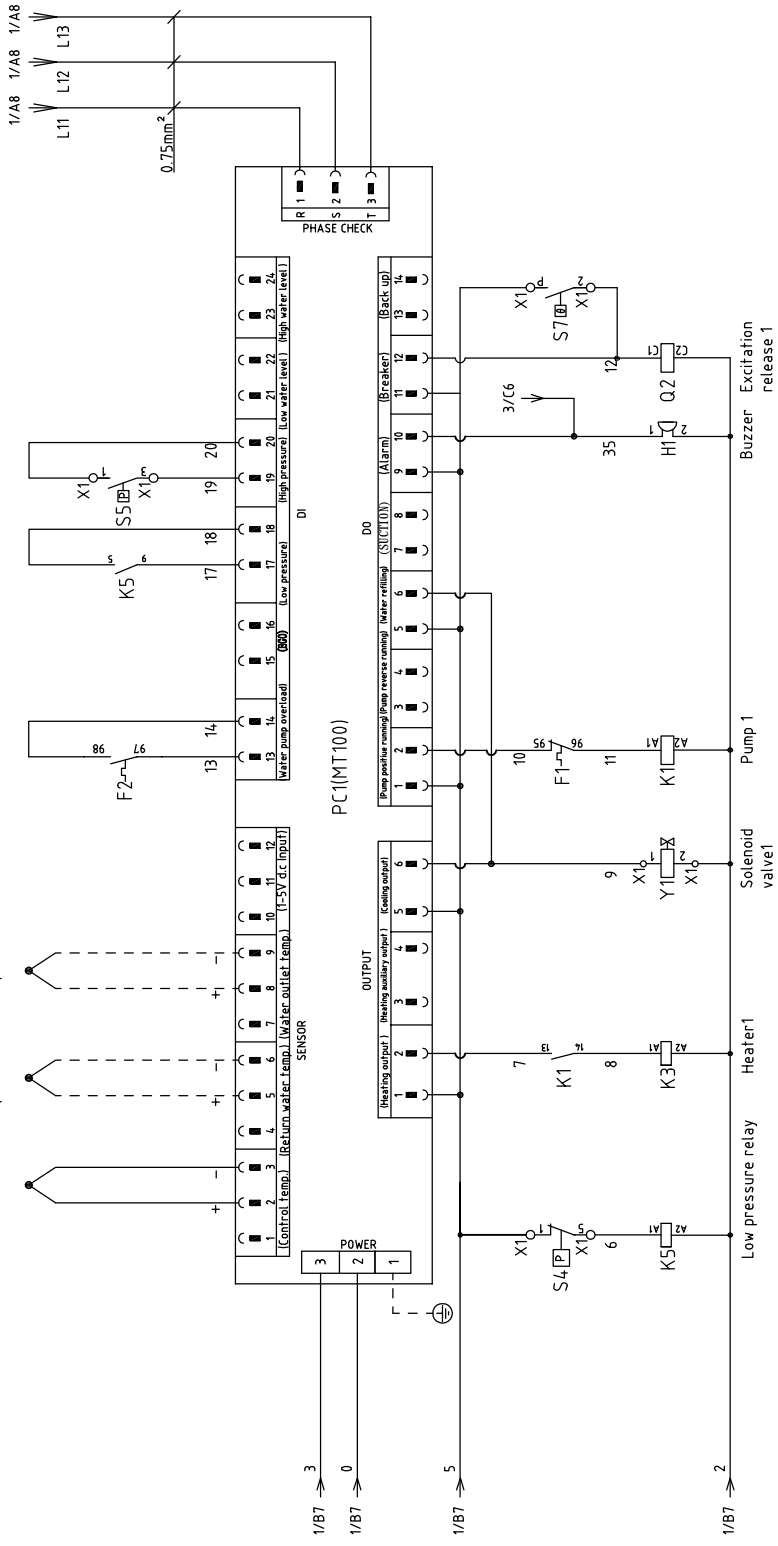
STM-607W-D 版本 Ver.E
 STM-607MW-D 版本 Ver.C

When equipped with magnetic pump F1-SET 1.0A P=0.55KW IN=1.0A
 When equipped with magnetic pump F2-SET 1.0A P=0.55KW IN=1.0A

Mark	Before modification	After modification	1	2	3	4	5	6	7	8
Modified by										
Modify date										
Checked by										
Proofofread by										
Designer										
Drawer										
Version										
G										
Title	STM-607W-D Main Circuit Diagram		Drawing NO STM-607W-D-CE-400V-G-1							
Scale			Standard CE							
Page	1		7							
Totally	7		Pages							
Voltage	4.00V									
Frequency	50Hz									



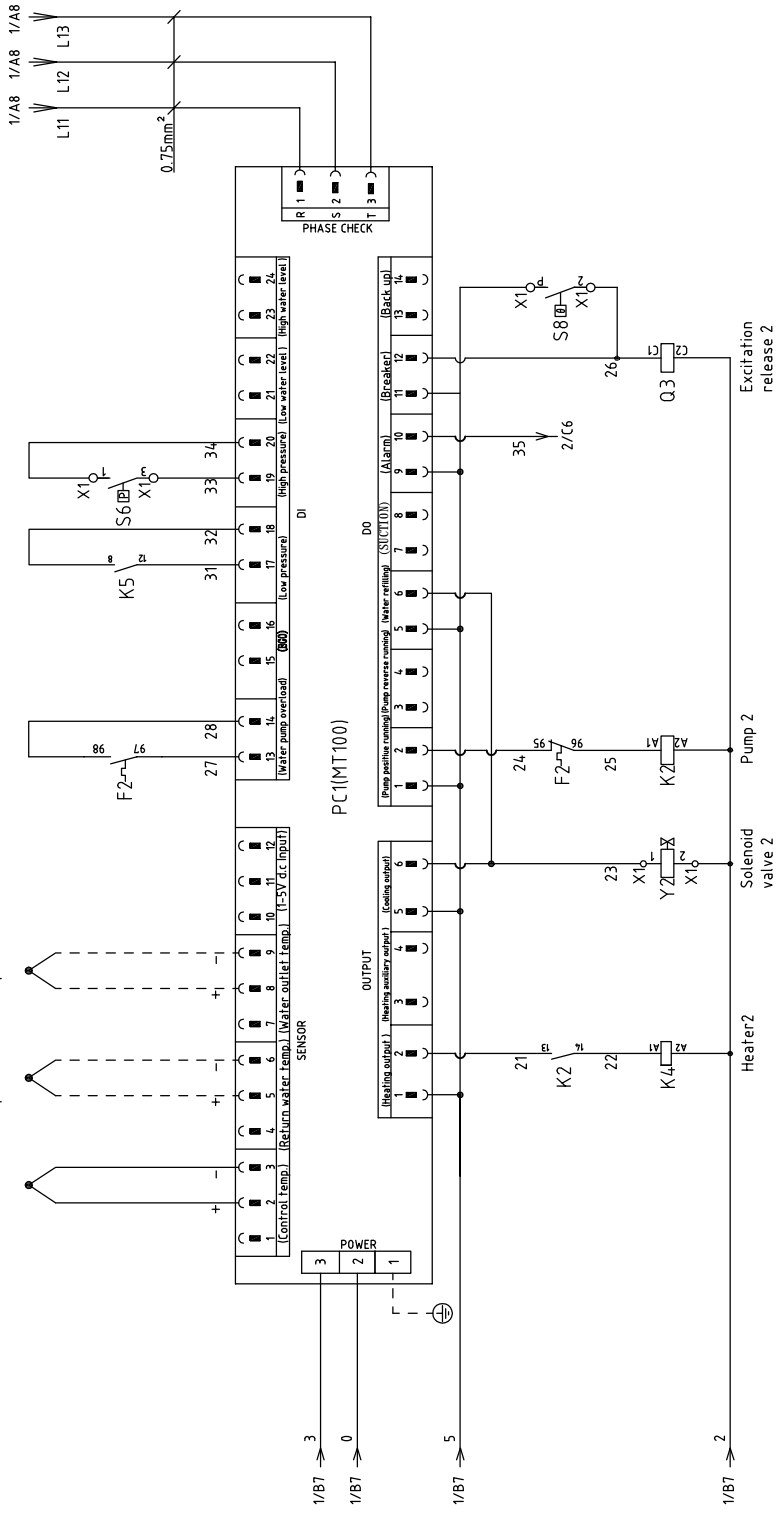
- S1 Thermocouple1 (Option)
- S2 Thermocouple2 (Option)
- S3 Thermocouple3 (Option)



STM-607W-D 版本 Ver.E
 STM-607MW-D 版本 Ver.C

Scale	Page 2
Standard	Totally 7
Voltage	4.00V
Frequency	50Hz
Drawing NO. STM-607W-D-CE-400V-G-2	
Title STM-607W-D Control Circuit Diagram 1	
Version	Approved by
Designer	Proofread by
Modify date	Checked by
Before modification	After modification
Mark	20170523
SHINI 信易电热机械股份有限公司 Shini Plastics Technologies, Inc.	
Page 2	
Totally 7	
Voltage 4.00V	
Frequency 50Hz	

S11 Thermocouple1 (Option)
 S12 Thermocouple2 (Option)
 S13 Thermocouple3 (Option)

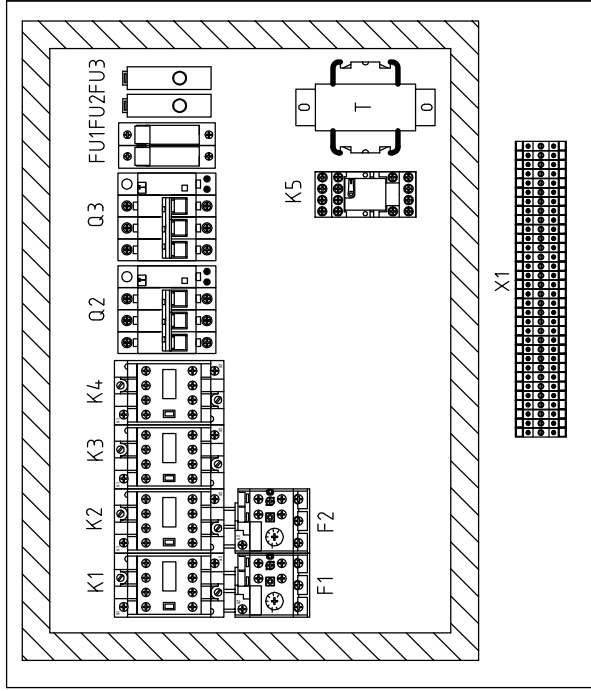
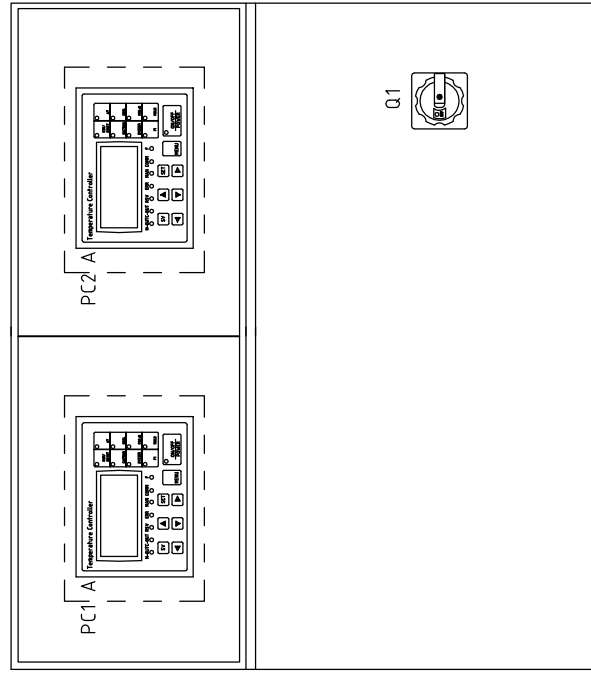


STM-607W-D 版本 Ver.E
 STM-607MW-D 版本 Ver.C

Mark	Before modification	After modification	Modify date	Checked by	Date	Proofread by	Designer	Drawer	Version	G	Title	STM-607W-D Control Circuit Diagram 2	Drawing NO.	STM-607W-D-CE-400V-G-3	Scale	Page	3	
									Approved by						Standard	Totally	7	
																	Pages	
																	Voltage	4.00V
																	Frequency	50Hz



1 2 3 4 5 6 7 8



A B C D

STM-607W-D 版本 Ver.E
STM-607MW-D 版本 Ver.C

Title		Drawing NO.		Scale		Page	
STM-607W-D		STM-607W-D-CE-400V-G-4		Standard		4	
Electrical Components Layout				CE		Totally 7	
Version		Approved by		Voltage		Pages	
G		20170523		4.00V		7	
Date		Date		Frequency		50Hz	
20170523		4		Frequency		50Hz	
Before modification		After modification		Voltage		Pages	
Mark		Mark		4.00V		7	

SHINI
信易電熱機械股份有限公司
Shini Plastics Technologies, Inc.

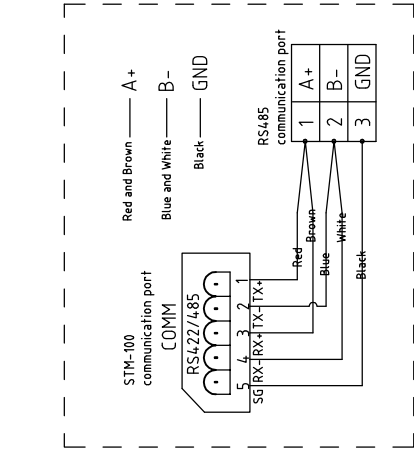
1 2 3 4 5 6 7 8

A

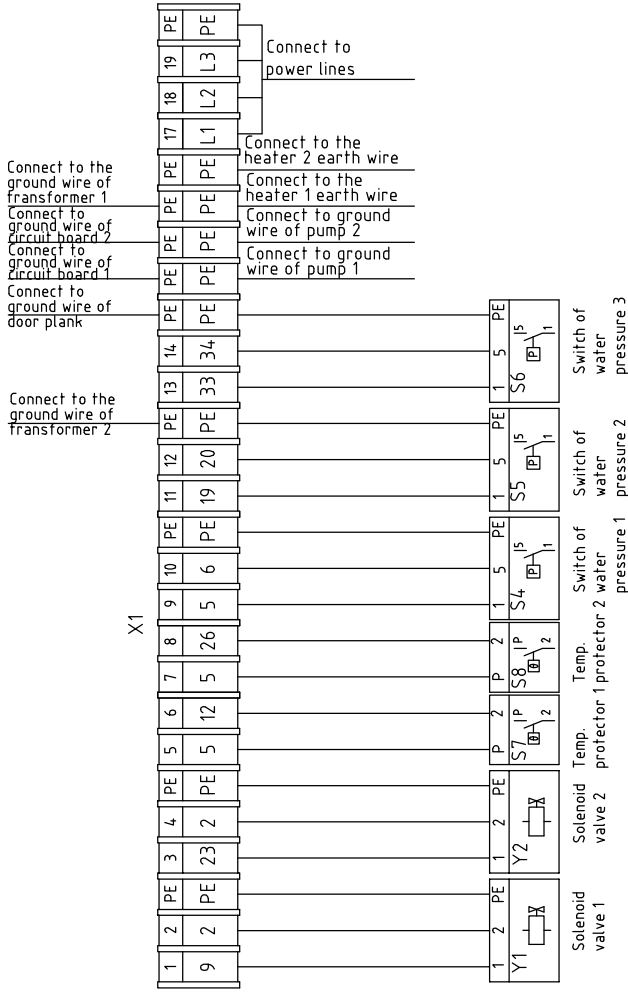
B

C

D



S6 RS485 Communications wiring diagram



STM-607W-D	版本	Ver.E
STM-607MW-D	版本	Ver.C

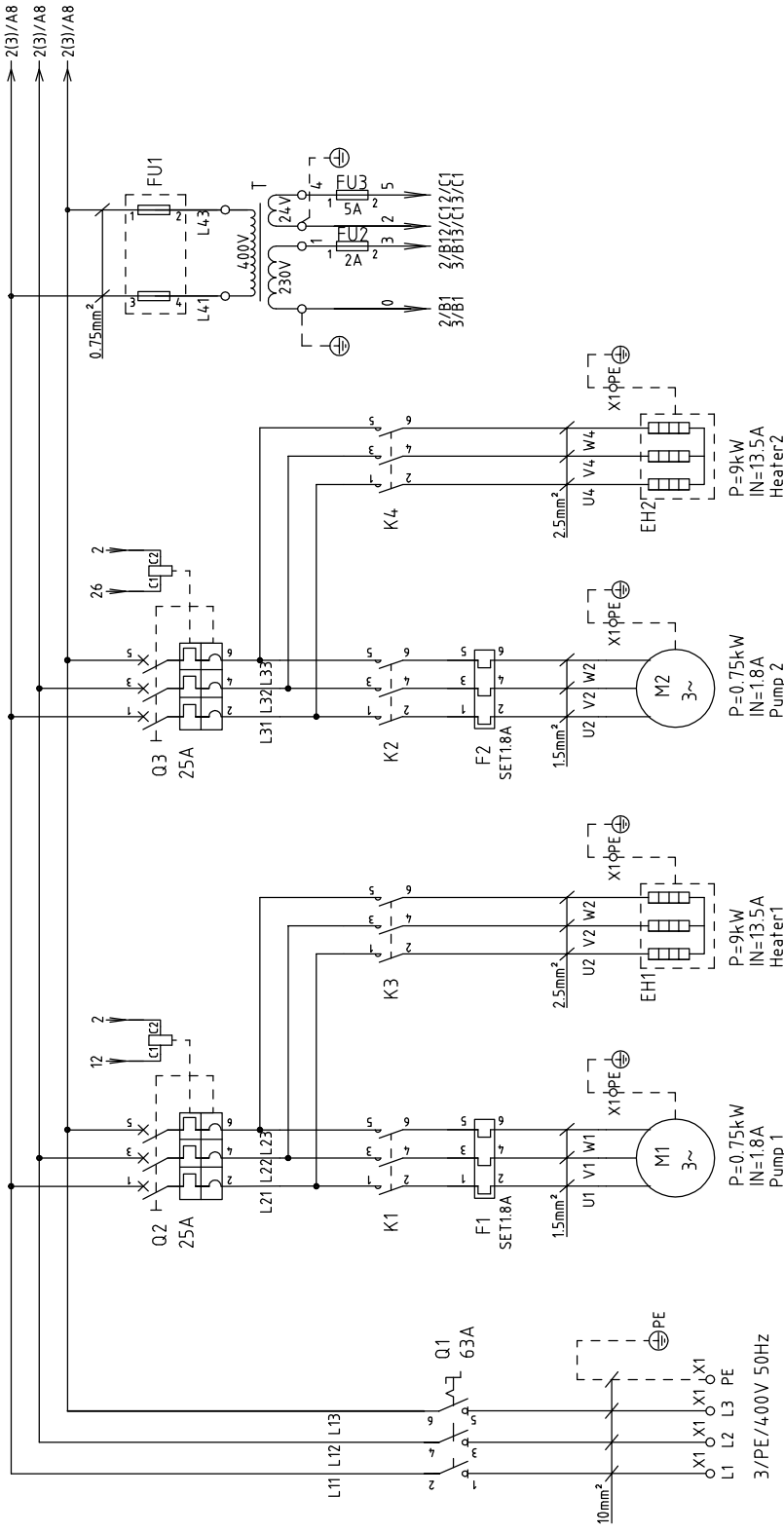
Technical requirements: Pump and pipe heater should be directly connected to the output terminals of contactor and thermal overload relay.

Title		Drawing NO.		Scale	Page
STM-607W-D		STM-607W-D-CE-400V-G-5		Standard	7
Thermocouple Wiring Diagram		CE		Voltage	
				4.00V	
				Frequency	
				50Hz	
SHINI		信易电热机械股份有限公司		Shini Plastics Technologies, Inc.	
Mark	Before modification	After modification	Modify date	Date	20170523
Solenoid valve 1		Solenoid valve 2		Temp. protector 1	
Temp. protector 2		Switch of water pressure 1		Switch of water pressure 2	
Switch of water pressure 3		Version		Approved by	
Date		Checked by		Date	
20170523					

1		2		3		4		5		6		7		8	
NO.	Symbol	Name	Manufacturer	Type	Specification	Number	Material number	Remark							
1	Q1	Main Switch	EATON	P1-32/EA/SVB	32A	1	YE1032320000								
2	Q2 Q3	Circuit Breakers	TECO	BM-63C	16A	2	YE40301603000								
3		Excitation Release	YECO	MX	24VAC	2	YE40024000000	A							
4	K1 K2	Contactors	SIEMENS	3RT6015-1AB01	24VAC	2	YE00601502500								
5	K1 K2	Contactors	SIEMENS	3RT6015-1AB01	24VAC	2	YE00601502500	(3)							
6	K3 K4	Contactors	SIEMENS	3RT6018-1AB01	24VAC	2	YE00601802500								
7	K5	Middle Relay	HONEYWELL	GR-2C-AC24V	24VAC	1	YE03022400300								
8	F1 F2	Overload Relays	SIEMENS	3RU6116-0KB0	0.9-1.25A	2	YE01160900000								
9	F1 F2	Overload Relays	SIEMENS	3RU6116-0KB0	0.9-1.25A	2	YE01160900000	(3)							
10	T	Transformer	BAIYUN	IN=400V OUT=24VAC/230V	120VA/350MA	1	YE70040005500								
11	FU1	Fuse Base	CHNT	RT18-32	32A 2P	1	YE41032200000	B							
12		Fuse Core	MRO	10×38 500V	2A	2	YE46002000100								
13	FU2 FU3	Fuse	YINDA	FS-10	----	3	YE41001000000								
14		Fuse	----	6×30/5A	5A	1	YE46630500100								
15	PC1 A PC2 A	Circuit Board	HANYOUNGX	STM100-21(with the communication)	180~4.30V 50/60Hz	2	YE81184300200								
16	H1	Buzzer	----	PK-35A	24VAC/DC	1	YE840035000600								
17	S1 S11	Thermocouple	SHINI	----	----	2	----	(1)							
18	S2 S3 S12 S13	Thermocouple	SHINI	----	----	4	----	(1)(2)							
19	S7 S8	Overheat Protector	TONCEAO	----	----	2	----	(1)							
20	S4 S5 S6	Switch of Water Pressure	FANSHEN	----	----	3	----	(1)							
21	Y1 Y2	Solenoid Valve	----	----	24VAC	2	----	(1)							
22	X1	Terminal Board	HONEYWELL	2.5mm ²	----	14	YE60002503200								
23		Terminal Board	HONEYWELL	2.5mm ² PE	----	9	YE60002503400								
24		Terminal Board	HONEYWELL	6.0mm ²	----	3	YE60000603200								
STM-607W-D		版本	Notes: (1)Means it's not the material inside the control box.(2)Means equipped with function of displaying water outlet and return water temperature.												
STM-607MW-D		版本	(3)Means equipped with magnetic pump.												
			Version	G	Title	Drawing NO.	Scale	Page							
			Approved by		STM-607W-D	STM-607W-D-CE-400V-G-6	Standard	6							
		Proofread by	Electrical Components List 1				CE	Totally							
		Checked by	Date		20170523		Voltage	7							
		Modified by	Date				Frequency	8							
		Modify date	Date					4.00V							
		Before modification	Date					5.0Hz							
		After modification	Date												
		Mark	Date												



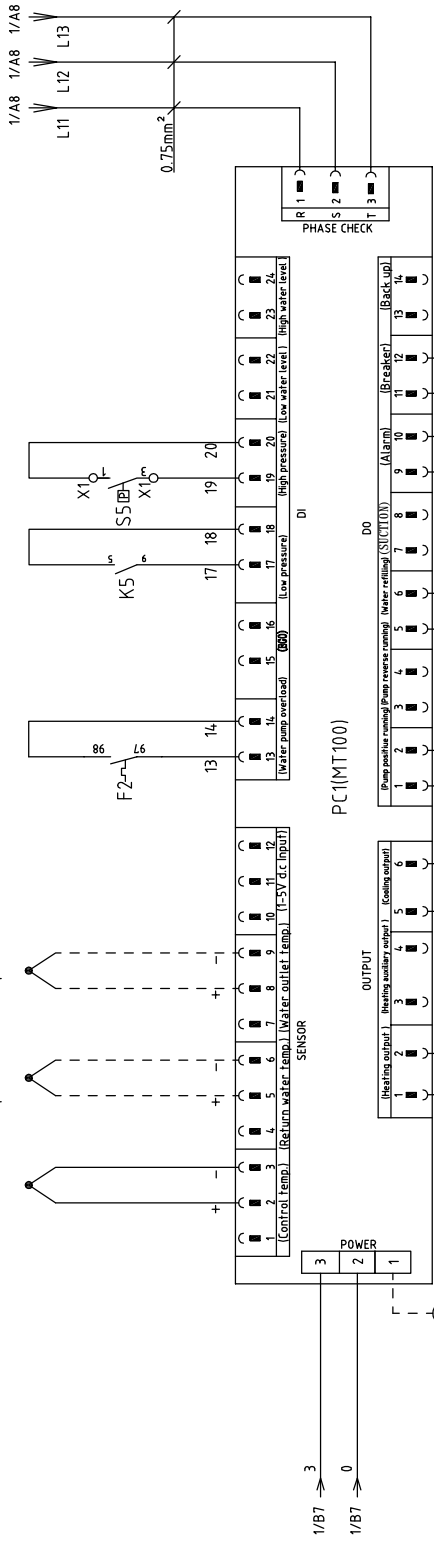
1		2		3		4		5		6		7		8	
NO.	Symbol	Name	Manufacturer	Type	Specification	Number	Material number	Remark							
25	M1 M2	Terminal Board	HONEYWELL	6.0mm ² PE	----	1	YE60000603500								
26	M1 M2	Motor	SHINI	TP-55	400V 50Hz 0.55kW	2	----	(1)							
27	M1 M2	Motor	SHINI	MP-55	400V 50Hz 0.55kW	2	----	(1)(3)							
28	EH1 EH2	Heater	SHINI	6kW	400V 50Hz	2	----	(1)							
29	S9	Communication interface board RS-485 (double Dsub-9pin connector)			PCS	1.000	YE90048501200								
30		Shell RS485(SAL-700G-A-19)0			PCS	1.000	YR40048500000								
A															
B															
C															
D															
STM-607W-D 版本		Notes: (1)Means it's not the material inside the control box.(2)Means equipped with function of displaying water outlet and return water temperature.													
STM-607MW-D 版本		(3)Means equipped with magnetic pump.													
		Title		Version		G		Drawing NO.		Scale		Page		7	
		STM-607W-D						STM-607W-D-CE-400V-G-7		Standard		CE		Totally 7	
		Electrical Components List 2		Approved by						Voltage		4.00V			
		Proofread by		Date		20170523				Frequency		5.0Hz			
Mark		Before modification		After modification		Modified by		Modify date		Checked by		Date		20170523	
SHINI 信易塑料机械股份有限公司 Shini Plastics Technologies, Inc.															
1 2 3 4 5 6 7 8															



STM-910W-D	版本 Ver.E	When equipped with magnetic pump F1:SET 1.8A	STM-910W-D	Drawing No.	Page 1
STM-910MW-D	版本 Ver.C	When equipped with magnetic pump F2:SET 1.8A	STM-910W-D	STM-910W-D-CE-400V-G-1	Totally 7
		P=1.0KW IN=1.8A	Main Circuit Diagram		Pages
			SHINI		4/00V
			信易电热机械股份有限公司		Frequency
			Shini Plastics Technologies, Inc.		50Hz
					8
					7
					6
					5
					4
					3
					2
					1

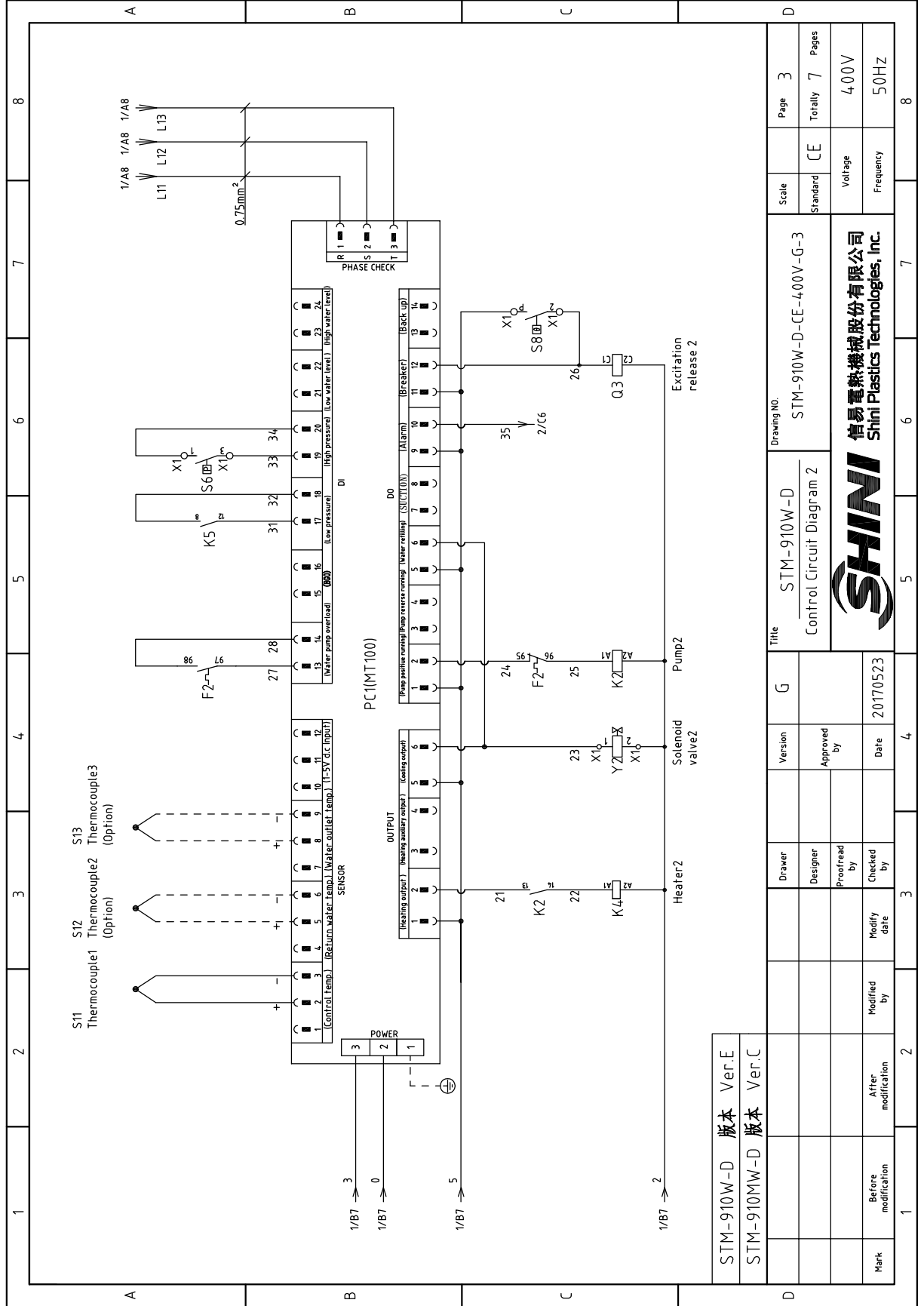


S1 Thermocouple1 (Option)
 S2 Thermocouple2 (Option)
 S3 Thermocouple3 (Option)



STM-910W-D	版本	Ver.E
STM-910MW-D	版本	Ver.C
Mark	Before modification	Modified by
	Modify date	Checked by
	Proofread by	Date
	Designer	Approved by
	Drawer	Version

Title		Drawing NO.	
STM-910W-D		STM-910W-D-CE-400V-G-2	
Control Circuit Diagram 1		Scale	Page 2
		Standard	Totally 7
		Voltage	400V
		Frequency	50Hz
SHINI		信易塑料机械股份有限公司	
		Shini Plastics Technologies, Inc.	
Mark	Before modification	Modified by	Checked by
	Modify date	Date	20170523
	Proofread by	Approved by	
	Designer	Version	G
	Drawer	Title	
		STM-910W-D	
		Control Circuit Diagram 1	
		Drawing NO.	
		STM-910W-D-CE-400V-G-2	
		Scale	Page 2
		Standard	Totally 7
		Voltage	400V
		Frequency	50Hz

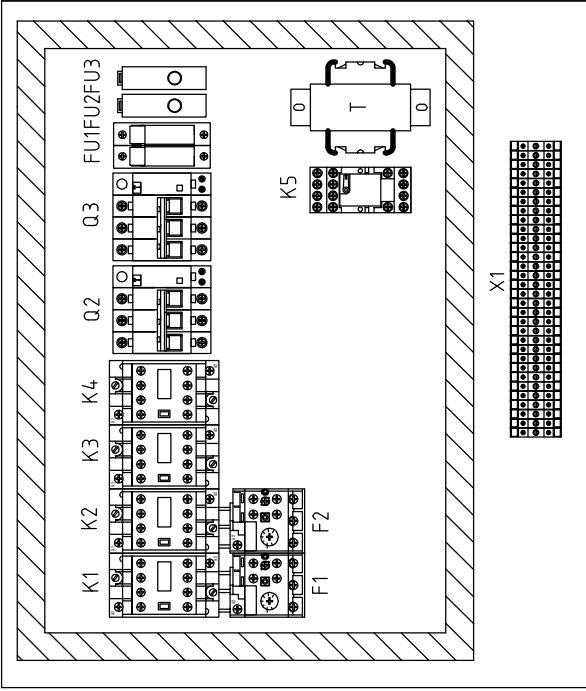
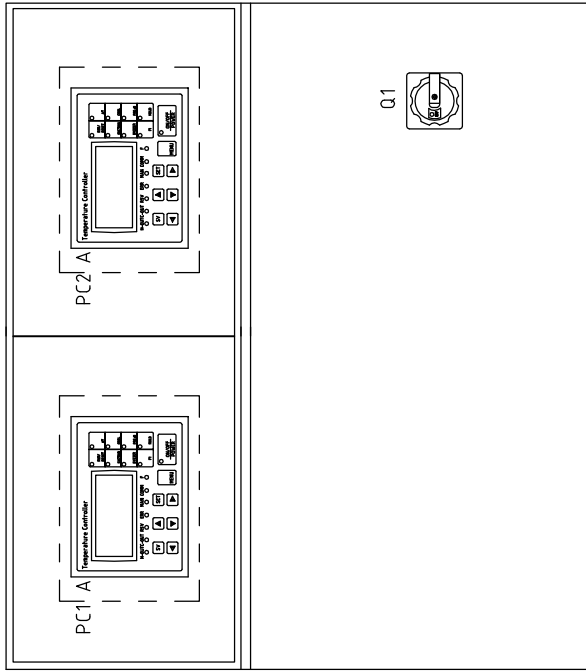


STM-910W-D 版本 Ver.E
 STM-910MW-D 版本 Ver.C

Mark	Before modification	After modification	Modify date	Checked by	Date	20170523
Designer		Proofread by	Approved by			
Drawer		Version	G	Title	STM-910W-D Control Circuit Diagram 2	Drawing NO. STM-910W-D-CE-400V-G-3
Scale		Standard	CE	Page	3	Totally 7 Pages
Voltage	400V	Frequency	50Hz			



1 2 3 4 5 6 7 8



A B C D

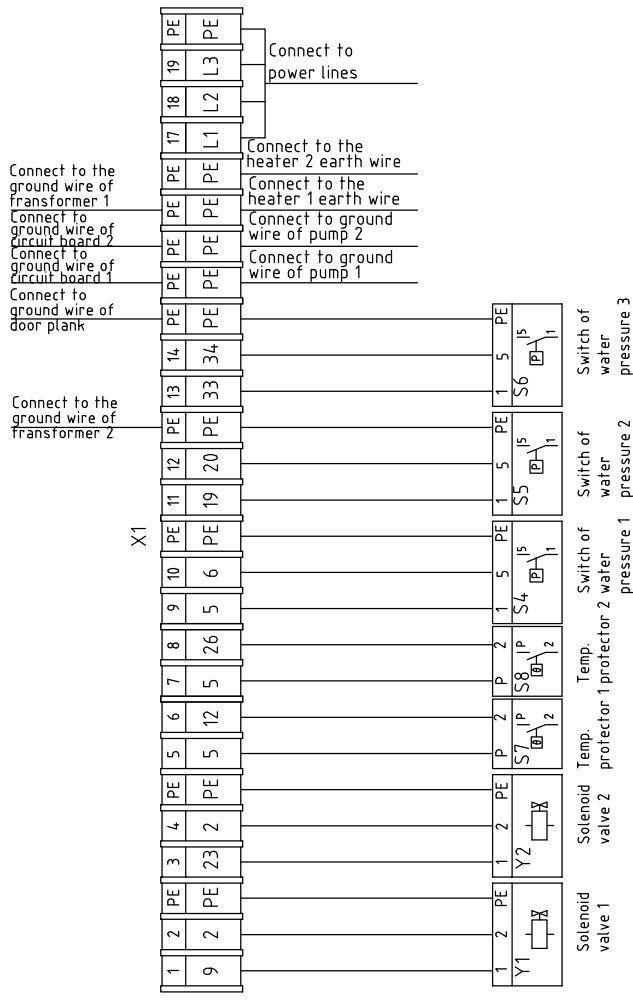
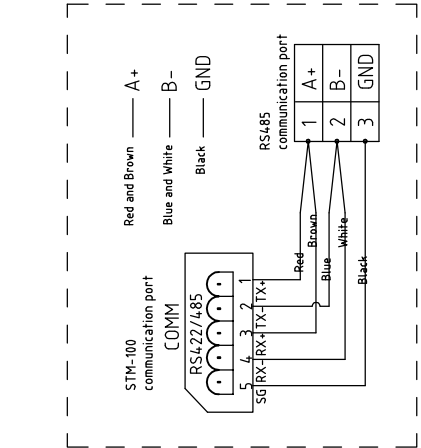
STM-910W-D 版本 Ver.E
STM-910MW-D 版本 Ver.C

Title		Drawing NO.		Scale	Page
STM-910W-D		STM-910W-D-CE-400V-G-4		Standard	4
Electrical Components Layout		CE		Totally 7 Pages	
Version		Approved by		Voltage	
G				4.00V	
Drawer		Date		Frequency	
		20170523		50Hz	
Designer		Modify date			
Proofread by		Modified by			
Checked by		After modification			
Mark		Before modification			



1 2 3 4 5 6 7 8

A B C D



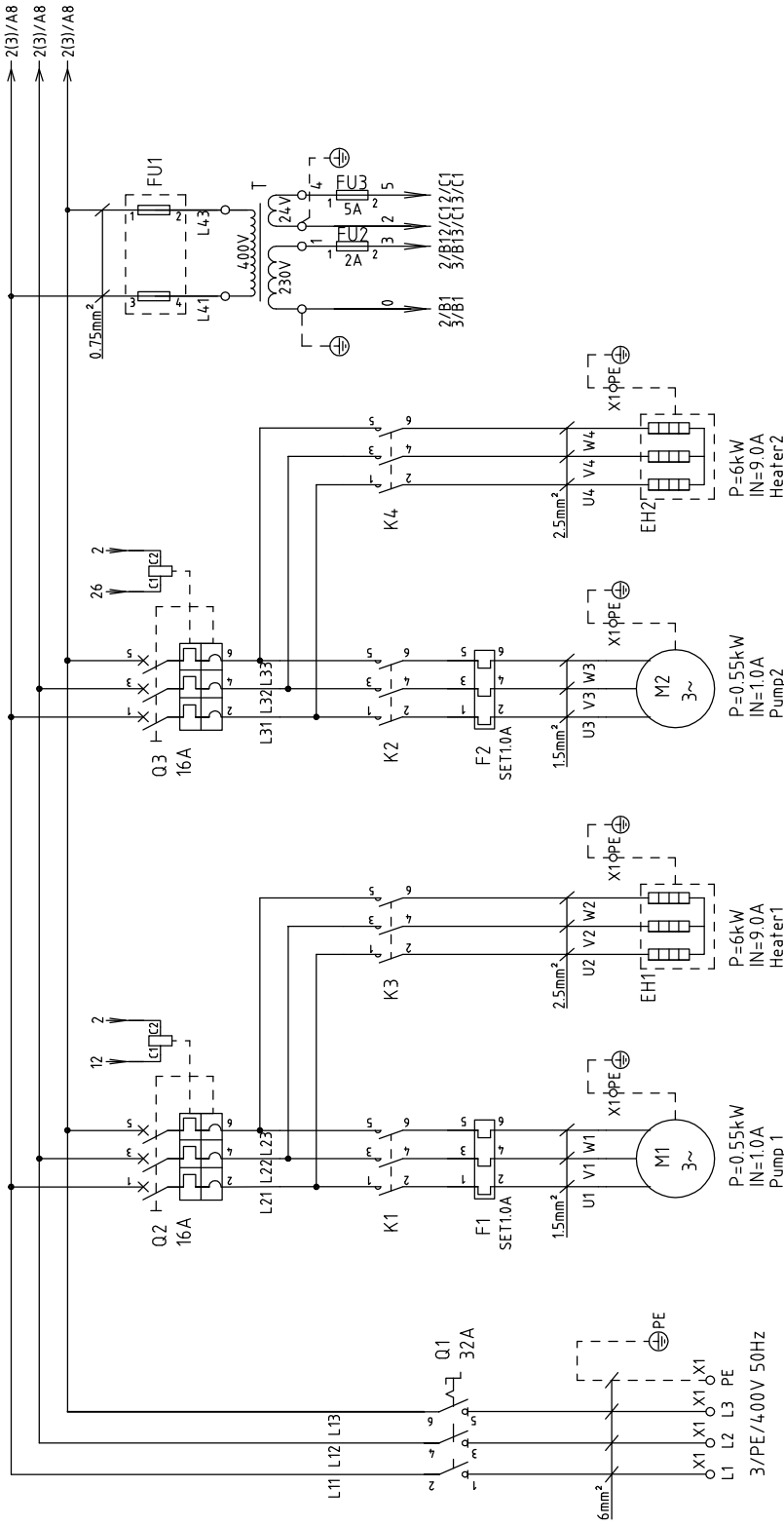
STM-910W-D	版本	Ver.E
STM-910MW-D	版本	Ver.C

Technical requirements: Pump and pipe heater should be directly connected to the output terminals of contactor and thermal overload relay.

Title		Drawing No.		Scale	Page
STM-910W-D		STM-910W-D-CE-400V-G-5		CE	5
Thermocouple Wiring Diagram		Standard		Totally 7	
Voltage		Frequency		Pages	
400V		50Hz		7	
Mark	Before modification	After modification	Modified by	Modify date	Date
1				20170523	4



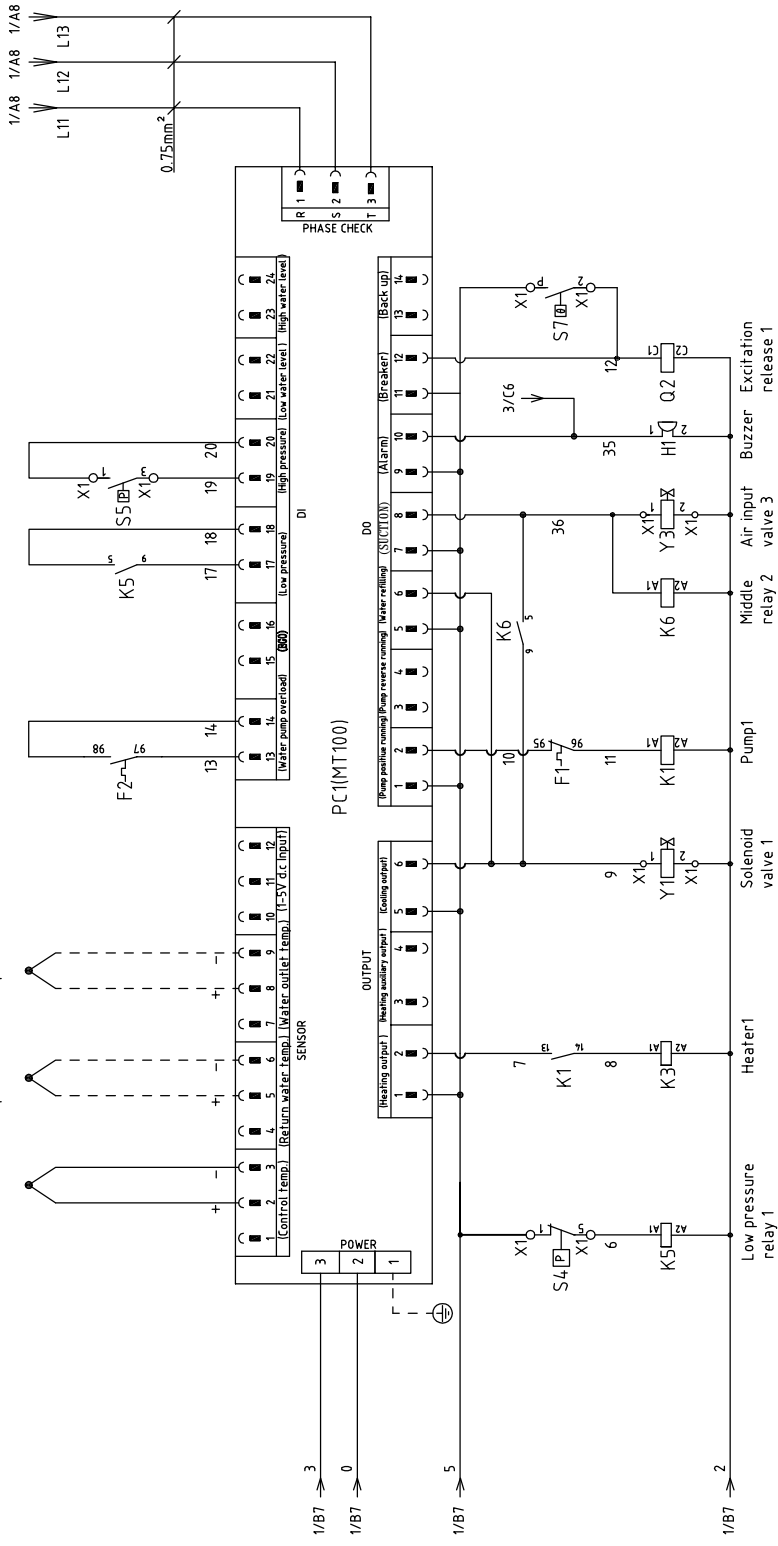
1		2		3		4		5		6		7		8	
NO.	Symbol	Name	Manufacturer	Type	Specification	Number	Material number	Remark							
1	Q1	Main Switch	EATON	P3-63/EA/SVB	63A	1	YE1063630000								
2	Q2 Q3	Circuit Breakers	TECO	BM-63C	25A	2	YE40302503000								
3		Excitation Release	TECO	MX	24VAC	2	YE40024000000								
4	K1 K2	Contactors	SIEMENS	3RT6015-1AB01	24VAC	2	YE00601502500								
5	K1 K2	Contactors	SIEMENS	3RT6015-1AB01	24VAC	2	YE00601502500	(3)							
6	K3 K4	Contactors	SIEMENS	3RT6025-1AC20	24VAC	2	YE00602502600								
7	K5	Middle Relay	HONEYWELL	GR-2C-AC24V	24VAC	1	YE03022400300								
8	F1 F2	Overload Relays	SIEMENS	3RU6116-1FCB0	18-2.5A	2	YE01160180000								
9	F1 F2	Overload Relays	SIEMENS	3RU6116-1FCB0	18-2.5A	2	YE01160180000	(3)							
10	T	Transformer	BAIYUN	IN=400V OUT=24VAC/230V	120VA/350MA	1	YE7004.0005500								
11	FU1	Fuse Base	CHNT	RT18-32	32A 2P	1	YE41032200000								
12		Fuse Core	MRO	10×38 500V	2A	2	YE46002000100								
13	FU2 FU3	Fuse	YINDA	FS-10	----	2	YE41001000000								
14		Fuse	----	6×30/5A	5A	1	YE46630500100								
15	PC1 A PC2 A	Circuit Board	HANYOUNGX	STM100-2(With the communication)	180~4.30V 50/60Hz	2	YE81184300200								
16	H1	Buzzer	----	PK-35A	24VAC/DC	1	YE840035000600								
17	S1 S11	Thermocouple	SHINI	----	----	2	----	(1)							
18	S2 S3 S12 S13	Thermocouple	SHINI	----	----	4	----	(1)(2)							
19	S7 S8	Overheat Protector	TONCEAO	----	----	2	----	(1)							
20	S4 S5 S6	Switch of Water Pressure	FANSHEN	----	----	3	----	(1)							
21	Y1 Y2	Solenoid Valve	----	----	24VAC	2	----	(1)							
22	X1	Terminal Board	HONEYWELL	2.5mm ²	----	14	YE60002503200								
23		Terminal Board	HONEYWELL	2.5mm ² PE	----	9	YE60002503400								
24		Terminal Board	HONEYWELL	10.0mm ²	----	3	YE60001003200								
STM-910W-D 版本		Notes: (1)Means it's not the material inside the control box.(2)Means equipped with function of displaying water outlet and return water temperature.													
STM-910MW-D 版本		(3)Means equipped with magnetic pump.													
		Title		Drawing NO		Scale		Page		Standard		Voltage		Pages	
		STM-910W-D		STM-910W-D-CE-400V-G-6		CE		6		CE		4.00V		7	
		Electrical Components List 1						Totally				Frequency		50Hz	
		SHINI		SHINI Plastics Technologies, Inc.				8				8			
Mark		Before modification	After modification	Modified by	Modify date	Checked by	Date	20170523							
1		2		3		4		5		6		7		8	



版本 Ver.A

Mark	Before modification	Modified by	Modify date	Checked by	Date	Approved by	Version	0	Title	Drawing NO.	Scale	Page 1
	After modification										Standard	Totally 7
STM-607WA-D										STM-607WA-D-CE-4,00V-0-1		4,00V
Main Circuit Diagram										Voltage		50Hz
SHINI										Frequency		
信易电热机械股份有限公司										Shini Plastics Technologies, Inc.		

S1 Thermocouple1 (Option)
 S2 Thermocouple2 (Option)
 S3 Thermocouple3 (Option)

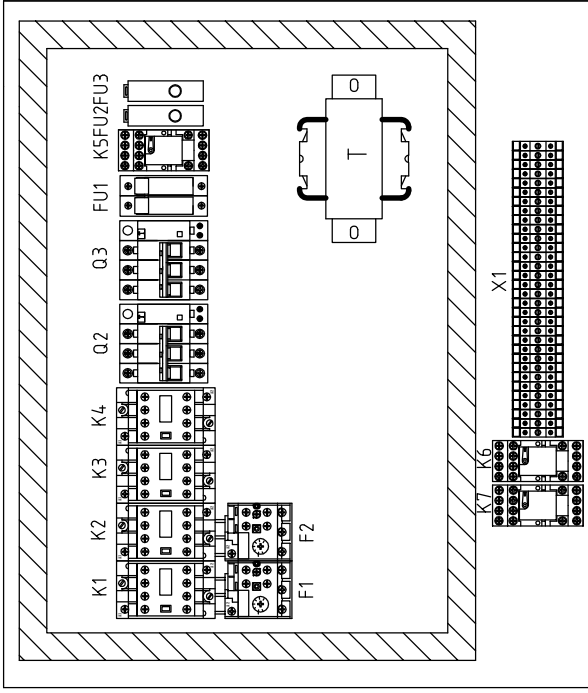
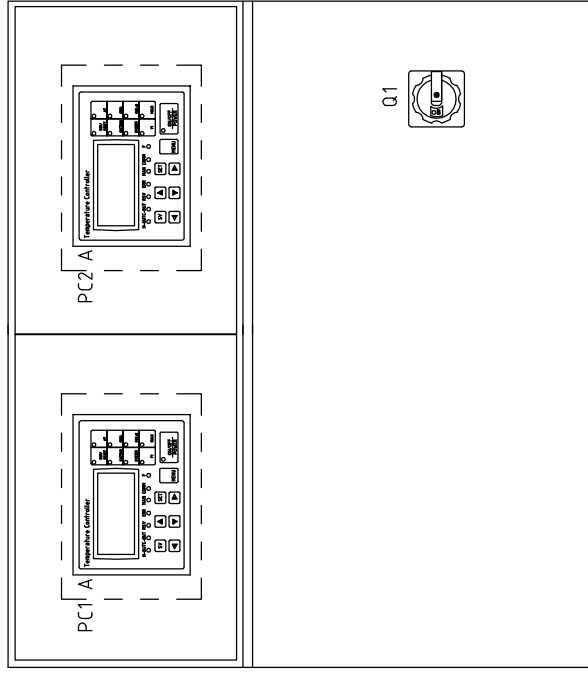


版本 Ver.A


Mark	Before modification	Modified by	20170804	Date	20170804	Checked by		Date	20170804	Approved by		Version	0	Title	STM-607WA-D Control Circuit Diagram 1	Drawing NO.	STM-607WA-D-CE-4.00V-0-2	Scale	Page 2		
After modification																		Standard	CE		
																			Totally	7	
																				Pages	4.00V
																					50Hz



1 2 3 4 5 6 7 8



版本 Ver.A

Mark	Before modification	Modified by	Modify date	Checked by	Date	20170804	Approved by	Version	0	Title	Drawing NO.		Page	4
	After modification	Modified by	Modify date								Scale	Standard		
STM-607WA-D											STM-607WA-D-CE-4.00V-0-4	Scale	4.00V	
Electrical Components Layout											Standard	Frequency	50Hz	
 信易塑料機械股份有限公司 Shini Plastics Technologies, Inc.											Voltage		4.00V	
											Frequency		50Hz	

1

2

3

4

5

6

7

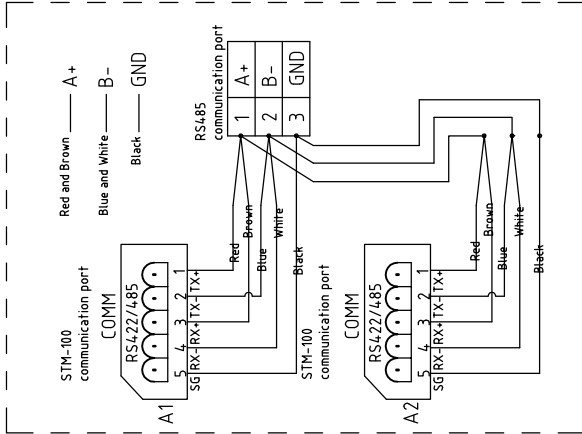
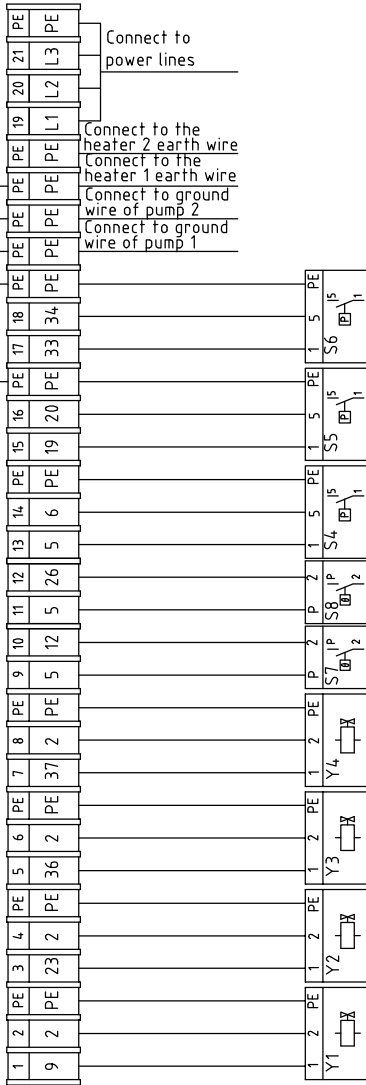
8

1 2 3 4 5 6 7 8

A

X1

Connect to the ground wire of transformer 2
 Connect to ground wire of circuit board 2
 Connect to ground wire of circuit board 1
 Connect to ground wire of door plank
 Connect to the ground wire of transformer 1
 Connect to the heater 2 earth wire
 Connect to the heater 1 earth wire
 Connect to ground wire of pump 2
 Connect to ground wire of pump 1



S9 RS485 Communications wiring diagram

版本 Ver.A

Technical requirements: Pump and pipe heater should be directly connected to the output terminals of contactor and thermal overload relay.

Title	Drawing NO.		Page	5
	STM-607WA-D	STM-607WA-D-CE-4.00V-0-5	Scale	CE
Thermocouple Wiring Diagram		Standard	Totally	7
SHINI 信易电热机械股份有限公司 Shini Plastics Technologies, Inc.		Voltage	4.00V	
Date		Frequency	50Hz	
Mark	Before modification	Modified by	Modify date	20170804
Designer	Proofread by	Checked by	Date	20170804
Drawer	Version	0	Version	4
Approved by	Approved by		Version	4

1 2 3 4 5 6 7 8

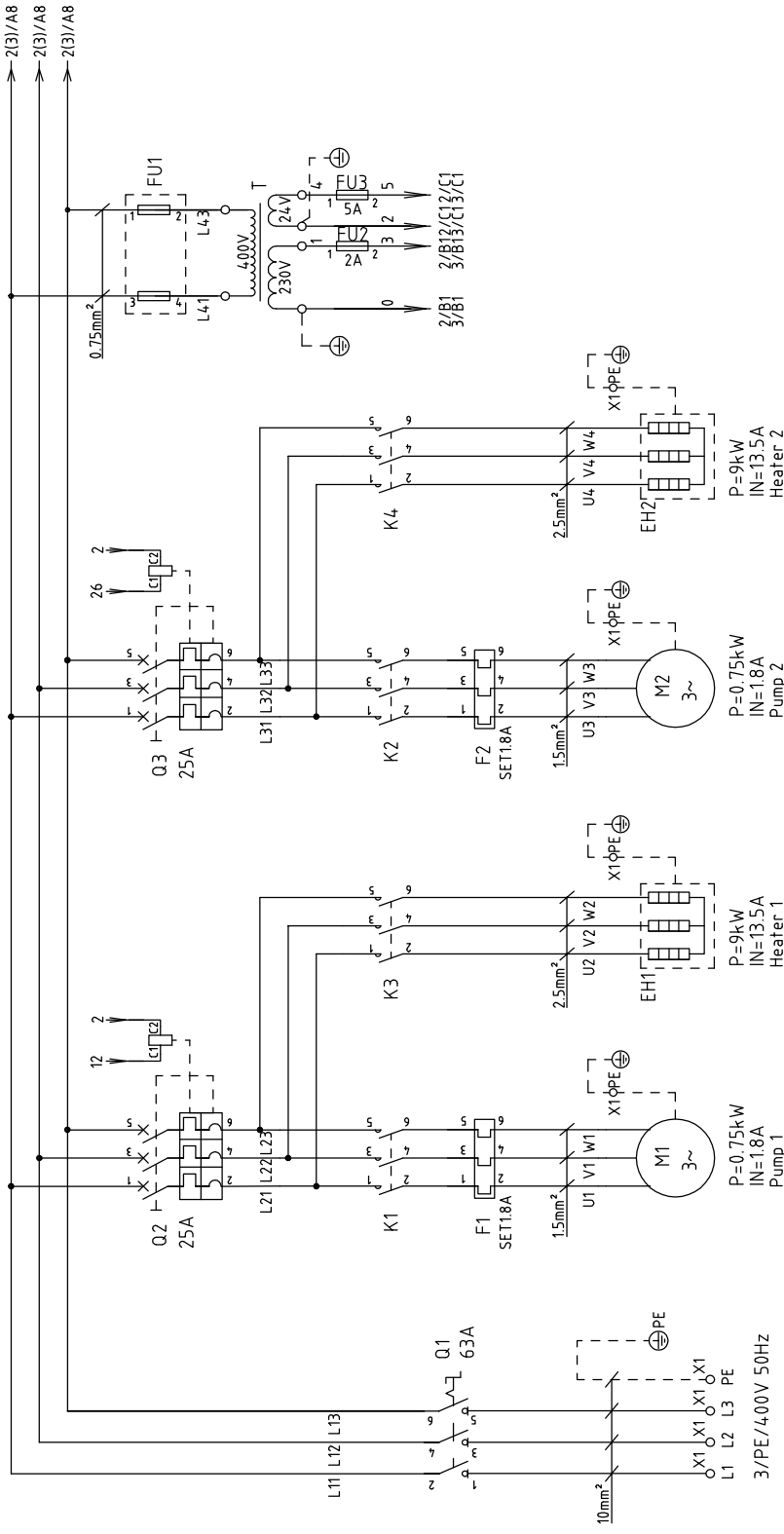
D

B

C

D

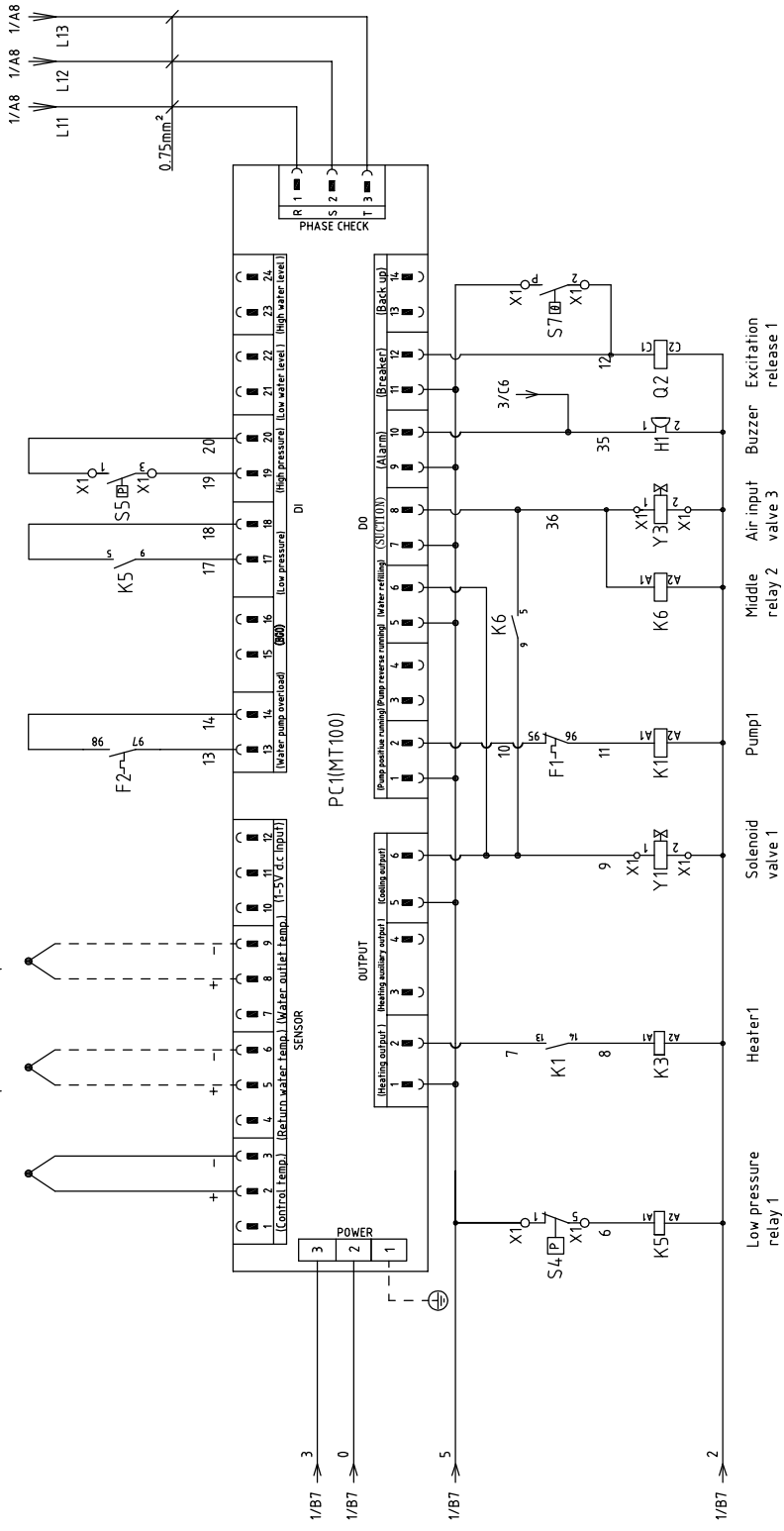
1		2		3		4		5		6		7		8																																																																																
NO.	Symbol	Name	Manufacturer	Type	Specification	Number	Material number	Remark																																																																																						
1	Q1	Main Switch	EATON	P1-32/EA/SVB	32A	1	YE1032320000																																																																																							
2	Q2 Q3	Circuit Breakers	TECO	BM-63C	16A	2	YE40301603000																																																																																							
3		Excitation Release	YECO	MX	24VAC	2	YE40024000000	A																																																																																						
4	K1 K2	Contactors	SIEMENS	3RT6015-1AB01	24VAC	2	YE00601502500																																																																																							
5	K3 K4	Contactors	SIEMENS	3RT6018-1AB01	24VAC	2	YE00601802500																																																																																							
6	K5 K6 K7	Middle Relay	HONEYWELL	GR-2C-AC24V	24VAC	3	YE03022400300																																																																																							
7	F1 F2	Overload Relays	SIEMENS	3RU6116-0KB0	0.9-1.25A	2	YE01160900000																																																																																							
8	T	Transformer	BAIYUN	IN=400V OUT=24VAC/230V	120VA/350MA	1	YE70040005500																																																																																							
9	FU1	Fuse Base	CHINT	RT28-32	32A 2P	1	YE41032200000																																																																																							
10		Fuse Core	MRO	10×38 500V	2A	2	YE46002000100																																																																																							
11	FU2 FU3	Fuse	YINDA	FS-10	----	2	YE41001000000	B																																																																																						
12		Fuse	----	6×30/5A	5A	1	YE46630500100																																																																																							
13	PC1 A PC2 A	Circuit Board	HANYOUNGNUX	STM100-21(with the communication)	180~4.30V 50/60Hz	2	YE81184300200																																																																																							
14	H1	Buzzer	----	PK-35A	24VAC/DC	1	YE840035000600																																																																																							
15	S1 S11	Thermocouple	SHINI	----	----	2	----	(1)																																																																																						
16	S2 S3 S12 S13	Thermocouple	SHINI	----	----	4	----	(1)(2)																																																																																						
17	S7 S8	Overheat Protector	TONCEAO	----	----	2	----	(1)																																																																																						
18	S4 S5 S6	Switch of Water Pressure	FANSHEN	----	----	3	----	(1)																																																																																						
19	Y1 Y2 Y3 Y4	Solenoid Valve	----	----	24VAC	4	----	(1)																																																																																						
20	X1	Terminal Board	HONEYWELL	2.5mm ²	----	18	YE60002503200																																																																																							
21		Terminal Board	HONEYWELL	2.5mm ² PE	----	11	YE60002503400																																																																																							
22		Terminal Board	HONEYWELL	6.0mm ²	----	3	YE60000603200																																																																																							
23		Terminal Board	HONEYWELL	6.0mm ² PE	----	1	YE60000603500																																																																																							
24	M1 M2	Motor	SHINI	TP-55	400V 50Hz 0.55kW	2	----	(1)																																																																																						
25	EH1 EH2	Heater	SHINI	6kW	400V 50Hz	2	----	(1)																																																																																						
版本 Ver.A Notes: (1)Means it's not the material inside the control box.(2)Means equipped with function of displaying water outlet and return water temperature.																																																																																														
<table border="1" style="width:100%; border-collapse: collapse;"> <tr> <td colspan="4"></td> <td colspan="2">Drawing NO</td> <td colspan="2">Scale</td> <td colspan="2">Page</td> </tr> <tr> <td colspan="4"></td> <td colspan="2">STM-607WA-D</td> <td colspan="2">1:1</td> <td colspan="2">6</td> </tr> <tr> <td colspan="4"></td> <td colspan="2">Electrical Components List 1</td> <td colspan="2">Standard</td> <td colspan="2">CE</td> </tr> <tr> <td colspan="4"></td> <td colspan="2">STM-607WA-D-CE-4.00V-0-6</td> <td colspan="2">Voltage</td> <td colspan="2">4.00V</td> </tr> <tr> <td colspan="4"></td> <td colspan="2"></td> <td colspan="2">Frequency</td> <td colspan="2">50Hz</td> </tr> <tr> <td colspan="4"></td> <td colspan="2" style="text-align: center;"> 信易塑料机械股份有限公司 Shini Plastics Technologies, Inc. </td> <td colspan="2">Totally</td> <td colspan="2">7</td> </tr> <tr> <td colspan="4"></td> <td colspan="2"></td> <td colspan="2">Pages</td> <td colspan="2">4.00V</td> </tr> <tr> <td colspan="4"></td> <td colspan="2"></td> <td colspan="2">Frequency</td> <td colspan="2">50Hz</td> </tr> </table>																			Drawing NO		Scale		Page						STM-607WA-D		1:1		6						Electrical Components List 1		Standard		CE						STM-607WA-D-CE-4.00V-0-6		Voltage		4.00V								Frequency		50Hz						 信易塑料机械股份有限公司 Shini Plastics Technologies, Inc.		Totally		7								Pages		4.00V								Frequency		50Hz	
				Drawing NO		Scale		Page																																																																																						
				STM-607WA-D		1:1		6																																																																																						
				Electrical Components List 1		Standard		CE																																																																																						
				STM-607WA-D-CE-4.00V-0-6		Voltage		4.00V																																																																																						
						Frequency		50Hz																																																																																						
				 信易塑料机械股份有限公司 Shini Plastics Technologies, Inc.		Totally		7																																																																																						
						Pages		4.00V																																																																																						
						Frequency		50Hz																																																																																						
<table border="1" style="width:100%; border-collapse: collapse;"> <tr> <td colspan="2">1</td> <td colspan="2">2</td> <td colspan="2">3</td> <td colspan="2">4</td> <td colspan="2">5</td> <td colspan="2">6</td> <td colspan="2">7</td> <td colspan="2">8</td> </tr> <tr> <td colspan="2">Mark</td> <td colspan="2">Before modification</td> <td colspan="2">Modified by</td> <td colspan="2">Modify date</td> <td colspan="2">Checked by</td> <td colspan="2">Date</td> <td colspan="2">20170804</td> <td colspan="2"></td> </tr> </table>															1		2		3		4		5		6		7		8		Mark		Before modification		Modified by		Modify date		Checked by		Date		20170804																																																			
1		2		3		4		5		6		7		8																																																																																
Mark		Before modification		Modified by		Modify date		Checked by		Date		20170804																																																																																		



版本 Ver.A

Drawing NO.		STM-910WA-D-CE-4,00V-0-1	
Title		Main Circuit Diagram	
Version	0	Scale	CE
Designer		Standard	CE
Proofread by		Voltage	4,00V
Checked by		Frequency	50Hz
Modify Date		SHINI 信易电热机械股份有限公司 Shini Plastics Technologies, Inc.	
Mark	Before modification	After modification	
Page	1	Totally	7
Pages			

S1 Thermocouple1 (Option)
 S2 Thermocouple2 (Option)
 S3 Thermocouple3 (Option)

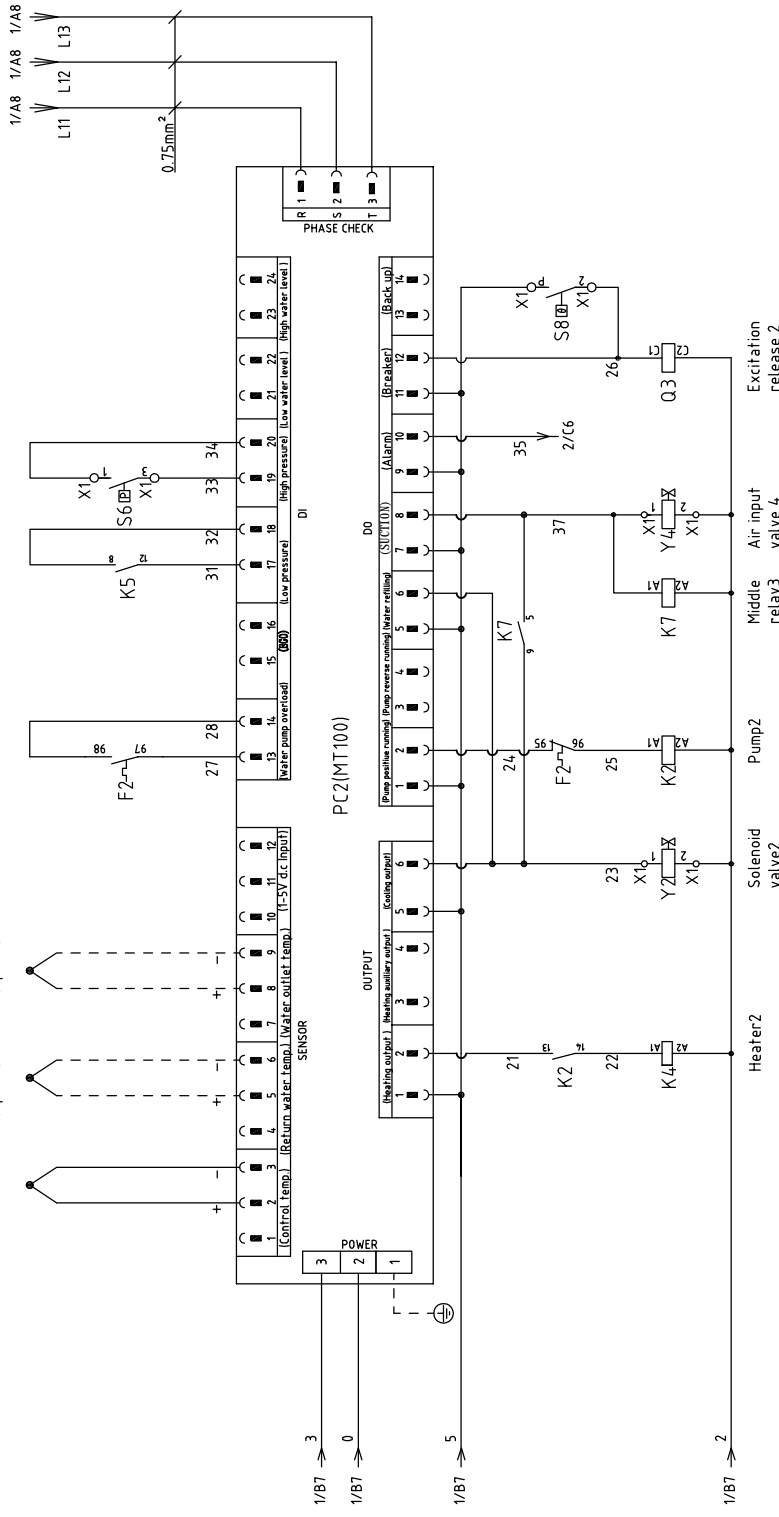


版本 Ver.A

Mark	Before modification	Modified by	20170807	4	5	6	7	8
Check by		Date	20170807	4	5	6	7	8
Proofread by		Approved by		4	5	6	7	8
Designer		Version	0	4	5	6	7	8
Drawer		Title	STM-910WA-D Control Circuit Diagram 1	4	5	6	7	8
Drawing NO.			STM-910WA-D-CE-4.00V-0-2	4	5	6	7	8
Scale		Page	2	4	5	6	7	8
Standard	CE	Totally	7	4	5	6	7	8
Voltage	4.00V	Pages	7	4	5	6	7	8
Frequency	50Hz			4	5	6	7	8



S11 Thermocouple11 (Option)
 S12 Thermocouple12 (Option)
 S13 Thermocouple13 (Option)

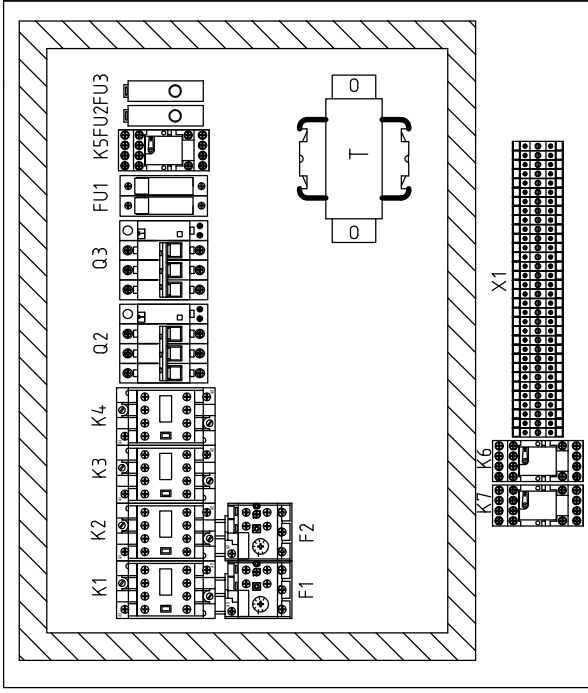
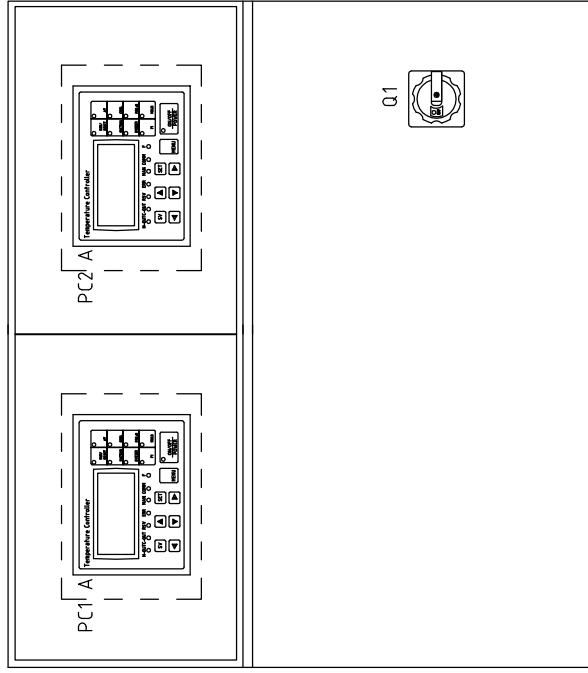


版本 Ver.A

Mark	Before modification	Modified by	20170807	Date	20170807	Checked by		Date	20170807	Approved by		Version	0	Title	STM-910WA-D Control Circuit Diagram 2	Drawing NO.	STM-910WA-D-CE-4.00V-0-3	Scale	CE	Page	3	
Before modification	After modification	Modify date																Standard	Voltage	Totally	7	
																			Frequency		Pages	4.00V
																						50Hz



1 2 3 4 5 6 7 8



A B C

版本 Ver.A

Mark	Before modification	Modified by	Modify date	Checked by	Date	20170807	Approved by	Version	0	Title	STM-910WA-D Electrical Components Layout	Drawing NO.	STM-910WA-D-CE-4,00V-0-4	Scale	CE	Page	4
	After modification													Standard	Voltage	Totally	7
															Frequency		Pages
																	4,00V
																	50Hz
																	8

SHINI 信易塑料机械股份有限公司
Shini Plastics Technologies, Inc.

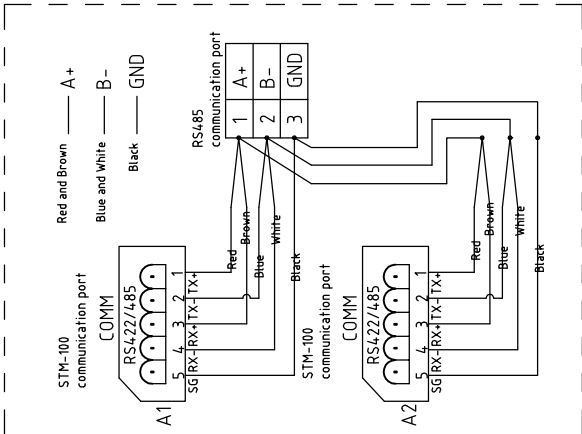
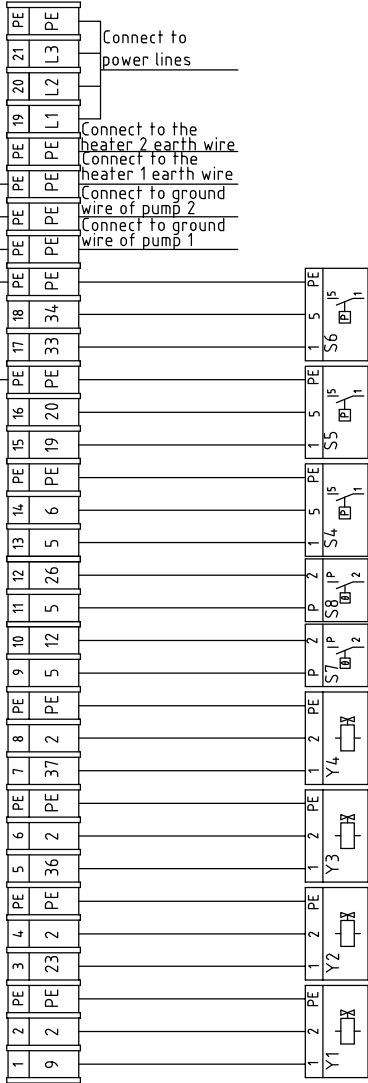
1 2 3 4 5 6 7 8

1 2 3 4 5 6 7 8

A

X1

- Connect to the ground wire of transformer 2
- Connect to the ground wire of transformer 1
- Connect to ground wire of circuit board 2
- Connect to ground wire of circuit board 1
- Connect to ground wire of door plank
- Connect to the ground wire of transformer 2
- Connect to the ground wire of transformer 1
- Connect to the heater 2 earth wire
- Connect to the heater 1 earth wire
- Connect to ground wire of pump 2
- Connect to ground wire of pump 1



S9 RS485 Communications wiring diagram

版本 Ver.A

Technical requirements: Pump and pipe heater should be directly connected to the output terminals of contactor and thermal overload relay.

Mark	Before modification	Modified by	Modify date	Date	20170807	Checked by	Proofread by	Designer	Drawer	Version	0	Title	Drawing NO.		Page	5	
	After modification	Approved by	STM-910WA-D										Scale	Standard			CE
												STM-910WA-D-CE-4,00V-0-5		Standard	CE	Voltage	4,00V
														Frequency	50Hz		



1

2

3

4

5

6

7

8

1		2		3		4		5		6		7		8	
NO.	Symbol	Name	Manufacturer	Type	Specification	Number	Material number	Remark							
1	Q1	Main Switch	EATON	P3-63/EA/SVB	63A	1	YE1063630000								
2	Q2 Q3	Circuit Breakers	TECO	BM-63C	25A	2	YE40302503000								
3		Excitation Release	TECO	MX	24VAC	2	YE40024000000	A							
4	K1 K2	Contactors	SIEMENS	3RT6015-1AB01	24VAC	2	YE00601502500								
5	K3 K4	Contactors	SIEMENS	3RT6025-1AC20	24VAC	2	YE00602502600								
6	K5 K6 K7	Middle Relay	HONEYWELL	GR-2C-AC24V	24VAC	3	YE03022400300								
7	F1 F2	Overload Relays	SIEMENS	3RU6116-1CB0	18-2.5A	2	YE01160180000								
8	T	Transformer	BAIYUN	IN=400V OUT=24VAC/230V	120VA/350MA	1	YE70040005500								
9	FU1	Fuse Base	CHNT	RT28-32	32A 2P	1	YE41032200000								
10		Fuse Core	MRO	10×38 500V	2A	2	YE46002000100								
11	FU2 FU3	Fuse	YINDA	FS-10	----	2	YE41001000000	B							
12		Fuse	----	6×30/5A	5A	1	YE46630500100								
13	PC1 A PC2 A	Circuit Board	HANYOUNGNUX	STM100-21(With the communication)	180~4.30V 50/60Hz	2	YE81184300200								
14	H1	Buzzer	----	PK-35A	24VAC/DC	1	YE840035000600								
15	S1 S11	Thermocouple	SHINI	----	----	2	----	(1)							
16	S2 S3 S12 S13	Thermocouple	SHINI	----	----	4	----	(1)(2)							
17	S7 S8	Overheat Protector	TONCEAO	----	----	2	----	(1)							
18	S4 S5 S6	Switch of Water Pressure	FANSHEN	----	----	3	----	(1)							
19	Y1 Y2 Y3 Y4	Solenoid Valve	----	----	24VAC	4	----	(1)							
20	X1	Terminal Board	HONEYWELL	2.5mm ²	----	18	YE60002503200								
21		Terminal Board	HONEYWELL	2.5mm ² PE	----	11	YE60002503400								
22		Terminal Board	HONEYWELL	10.0mm ²	----	3	YE60001003200								
23		Terminal Board	HONEYWELL	10.0mm ² PE	----	1	YE60001003500								
24	M1 M2	Motor	SHINI	TP-75	400V 50Hz 0.75kW	2	----	(1)							
25	EH1 EH2	Heater	SHINI	9kW	400V 50Hz	2	----	(1)							
版本 Ver.A		Notes: (1)Means it's not the material inside the control box.(2)Means equipped with function of displaying water outlet and return water temperature.													
		Drawer	Designer	Proofread by	Checked by	Modify date	Modified by	Title STM-910WA-D Electrical Components List 1		Drawing NO. STM-910WA-D-CE-400V-0-6		Scale	Page	6	
					Approved by	Date	20170807					Standard	Totally	7	
Mark		Before modification	After modification	Modified by	Modify date							Standard	Voltage	4.00V	
												Standard	Frequency	50Hz	
1		2		3		4		5		6		7		8	



